



MINI LMT

1/18TH SCALE 4WD MONSTER TRUCK



Scan the QR code and select the Manuals and Support quick links from the product page for the most up-to-date manual information.

Scannen Sie den QR-Code und wählen Sie auf der Produktseite die Quicklinks Handbücher und Unterstützung, um die aktuellsten Informationen zu Handbücher.

Scannez le code QR et sélectionnez les liens rapides Manuals and Support sur la page du produit pour obtenir les informations les plus récentes sur le manuel.

Scannerizzare il codice QR e selezionare i Link veloci Manuali e Supporto dalla pagina del prodotto per le informazioni manuali più aggiornate.



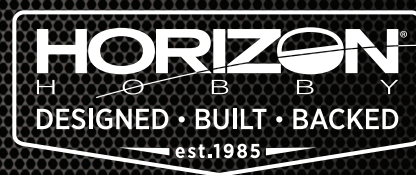
LOS01026T1/T2

INSTRUCTION MANUAL
BEDIENUNGSANLEITUNG
MANUEL D'UTILISATION
MANUALE DI ISTRUZIONI

Updated 7/23

468669.1

Before operating this vehicle, please read all printed materials thoroughly. Horizon Hobby is not responsible for inadvertent errors in this manual.



NOTICE

All instructions, warranties and other collateral documents are subject to change at the sole discretion of Horizon Hobby, LLC. For up-to-date product literature, visit www.horizonhobby.com or www.towerhobbies.com and click on the support or resources tab for this product.

MEANING OF SPECIAL LANGUAGE

The following terms are used throughout the product literature to indicate various levels of potential harm when operating this product:

WARNING: Procedures, which if not properly followed, create the probability of property damage, collateral damage, and serious injury OR create a high probability of superficial injury.

CAUTION: Procedures, which if not properly followed, create the probability of physical property damage AND a possibility of serious injury.

NOTICE: Procedures, which if not properly followed, create a possibility of physical property damage AND a little or no possibility of injury.



WARNING: Read the ENTIRE instruction manual to become familiar with the features of the product before operating. Failure to operate the product correctly can result in damage to the product, personal property and cause serious injury.

This is a sophisticated hobby product. It must be operated with caution and common sense and requires some basic mechanical ability. Failure to operate this Product in a safe and responsible manner could result in injury or damage to the product or other property. This product is not intended for use by children without direct adult supervision. Do not use with incompatible components or alter this product in any way outside of the instructions provided by Horizon Hobby, LLC. This manual contains instructions for safety, operation and maintenance. It is essential to read and follow all the instructions and warnings in the manual, prior to assembly, setup or use, in order to operate correctly and avoid damage or serious injury.

Age Recommendation: Not for children under 14 years. This is not a toy.

SAFETY PRECAUTIONS AND WARNINGS

- Always keep a safe distance in all directions around your model to avoid collisions or injury. This model is controlled by a radio signal subject to interference from many sources outside your control. Interference can cause momentary loss of control.
- Always operate your model in open spaces away from full-size vehicles, traffic and people.
- Always carefully follow the directions and warnings for this and any optional support equipment (chargers, rechargeable battery packs, etc.).
- Always keep all chemicals, small parts and anything electrical out of the reach of children.
- Always avoid water exposure to all equipment not specifically designed and protected for this purpose. Moisture causes damage to electronics.
- Never place any portion of the model in your mouth as it could cause serious injury or even death.
- Never operate your model with low transmitter batteries.

TABLE OF CONTENTS

CONTENTS.....	3
GENERAL PRECAUTIONS.....	3
WET CONDITIONS MAINTENANCE.....	3
WATER-RESISTANT VEHICLE WITH WATERPROOF ELECTRONICS.....	3
QUICK START.....	3
CHARGING WARNINGS.....	4
CHARGING THE BATTERY.....	4
SLT2 TRANSMITTER.....	4
INSTALLING THE TRANSMITTER BATTERIES.....	5
UNLOCKING THE BODY LATCHES.....	5
INSTALLING THE BATTERY AND POWERING ON THE VEHICLE.....	6
CONTROL TEST.....	7
DRIVING PRECAUTIONS.....	7
RUN TIME.....	7
TO IMPROVE RUN TIMES.....	7
TUNING, ADJUSTING AND MAINTAINING THE VEHICLE.....	8
SHOCK CLEANING.....	8
ADJUSTING RIDE HEIGHT.....	8
BINDING.....	8
SERVICE/REPAIR.....	8
RADIO/SPEED CONTROL AND MOTOR.....	8
MAINTENANCE.....	8
CLEANING.....	8
TROUBLESHOOTING GUIDE.....	9
LIMITED WARRANTY.....	10
WARRANTY AND SERVICE CONTACT INFORMATION.....	10
COUNTRY OF PURCHASE.....	10
HORIZON HOBBY.....	10
CONTACT INFORMATION.....	10
ADDRESS.....	10
FCC INFORMATION.....	11
IC INFORMATION.....	11
COMPLIANCE INFORMATION FOR THE EUROPEAN UNION.....	11
PARTS LISTINGS.....	39
OPTIONAL PARTS.....	41
EXPLODED VIEW.....	43

REGISTER YOUR LOSI PRODUCT ONLINE

Register your vehicle now and be the first to find out about the latest option parts, product updates and more. Click on the Support tab at www.LOSI.com and follow the product registration link to stay connected.

COMPONENTS

- Losi® Mini LMT RTR 4WD Monster Truck (Gravedigger / Son-uva digger)
 - Spektrum® 2-CH 2.4GHz Transmitter (SPMRLT320)
 - Spektrum ESC/Receiver 2.4GHz: 1/18 (SPMXSE3025RX)
 - Losi 25T Brushed 380 Size Motor (LOS11002)
 - Spektrum SX108 Micro Metal Gear Servo (SPMSSX108)
 - Spektrum 7.4V 810mAh 2S LiPo Hardcase: IC2 (SPMX812SH2)
 - Smart G2 2s LiPo (IC2) USB-C Charger (SPMXC0040)
 - 4 AA batteries (for transmitter)

RECOMMENDED ACCESSORIES

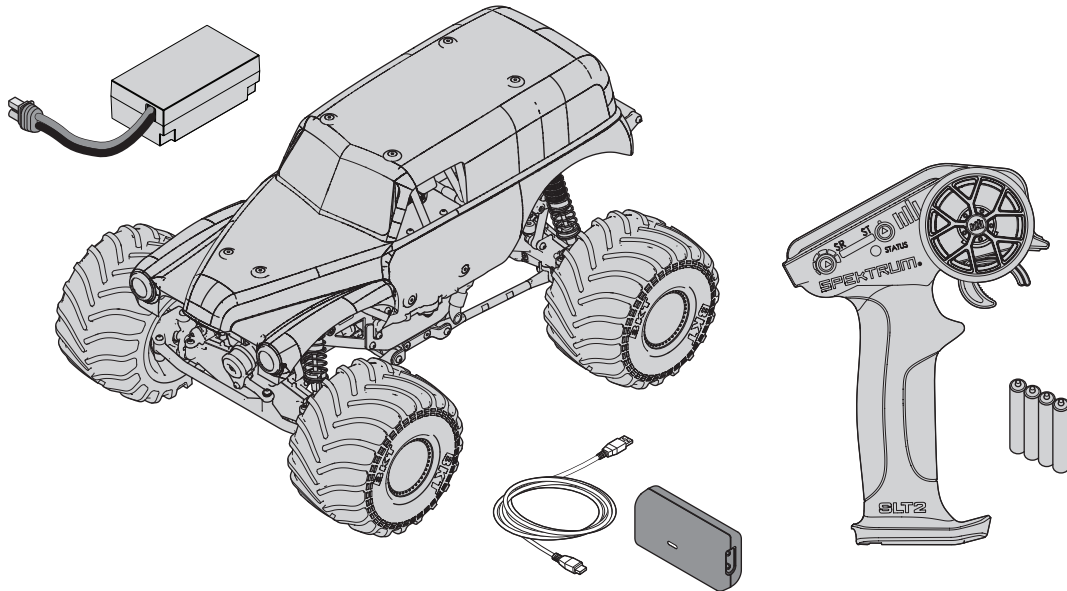
- Soft bristle brush for cleaning
- Startup Tool Set: Metric (DYN2834)
- Thread Lock

TOOLS INCLUDED

- 4-Way Wrench
- Misc. tools

Use only Dynamite® tools or other high-quality tools. Other tools can cause damage to the small screws and parts used on this model.

CONTENTS



WATER-RESISTANT VEHICLE WITH WATERPROOF ELECTRONICS

Your new Horizon Hobby vehicle has been designed and built with a combination of waterproof and water-resistant components to allow you to operate the product in many “wet conditions,” including puddles, creeks, wet grass, snow and even rain.

While the entire vehicle is highly water-resistant, it is not completely waterproof and your vehicle should NOT be treated like a submarine. The various electronic components used in the vehicle, such as the Electronic Speed Control (ESC), servo(s) and receiver are waterproof, however, most of the mechanical components are water-resistant and should not be submerged.

Metal parts, including the bearings, hinge pins, screws and nuts, as well as the contacts in the electrical cables, will be susceptible to corrosion if additional maintenance is not performed after running in wet conditions. To maximize the long-term performance of your vehicle and to keep the warranty intact, the procedures described in the “Wet Conditions Maintenance” section below must be performed regularly if you choose to run in wet conditions. If you are not willing to perform the additional care and maintenance required, then you should not operate the vehicle in those conditions.



CAUTION: Failure to exercise caution while using this product and complying with the following precautions could result in product malfunction and/or void the warranty.

GENERAL PRECAUTIONS

- Read through the wet conditions maintenance procedures and make sure that you have all the tools you will need to properly maintain your vehicle.
- Not all batteries can be used in wet conditions. Consult the battery manufacturer before use. Caution should be taken when using Li-Po batteries in wet conditions.
- Most transmitters are not water-resistant. Consult your transmitter’s manual or the manufacturer before operation.
- Never operate your transmitter or vehicle where lightning may be present.
- Do not operate your vehicle where it could come in contact with salt water (ocean water or water on salt-covered roads), contaminated or polluted water. Salt water is very conductive and highly corrosive, so use caution.
- Even minimal water contact can reduce the life of your motor if it has not been certified as water-resistant or waterproof. If the motor becomes excessively wet, apply very light throttle until the water is mostly removed from the motor. Running a wet motor at high speeds may rapidly damage the motor.

QUICK START

Please read the entire manual to gain a full understanding of the Mini-LMT vehicle, fine-tuning the setup and performing maintenance.

1. Read the safety precautions found in this manual.
2. Charge the battery. Refer to the included charging warnings and instructions for battery charging information.
3. Install the AA batteries in the transmitter. Only use alkaline or rechargeable batteries.
4. Install a fully charged battery in the vehicle.
5. Power ON the transmitter and then the vehicle. Always power the transmitter ON before the vehicle and power it OFF after the vehicle has been powered OFF.
6. Check the steering and throttle control directions. Verify that the servos are moving in the correct direction.
7. Drive your vehicle.
8. Perform any necessary maintenance.

- Driving in wet conditions can reduce the life of the motor. The additional resistance of operating in water causes excess strain. Alter the gear ratio by using a smaller pinion or larger spur gear. This will increase torque (and motor life) when running in mud, deeper puddles, or any wet conditions that will increase the load on the motor for an extended period of time.

WET CONDITIONS MAINTENANCE

- Drain any water that has collected in the tires by spinning them at high speed. With the body removed, place the vehicle upside down and pull full throttle for a few short bursts until the water has been removed.



CAUTION: Always keep hands, fingers, tools and any loose or hanging objects away from rotating parts when performing the above drying technique.

- Remove the battery pack(s) and dry the contacts. If you have an air compressor or a can of compressed air, blow out any water that may be inside the recessed connector housing.
- Remove the tires/wheels from the vehicle and gently rinse the mud and dirt off with a garden hose. Avoid rinsing the bearings and transmission.

NOTICE: Never use a pressure washer to clean your vehicle.

- Use an air compressor or a can of compressed air to dry the vehicle and help remove any water that may have gotten into small crevices or corners.
- Spray the bearings, drive train, fasteners and other metal parts with a water-displacing light oil. Do not spray the motor.
- Let the vehicle air dry before you store it. Water (and oil) may continue to drip for a few hours.
- Increase the frequency of disassembly, inspection and lubrication of the following:
 - Front and rear axle hub assembly bearings.
 - All transmission cases, gears and differentials.
 - Motor—clean with an aerosol motor cleaner and re-oil the bushings with lightweight motor oil.

CHARGING WARNINGS

CAUTION: All instructions and warnings must be followed exactly. Mishandling of Li-Po batteries can result in a fire, personal injury and/or property damage.

- **NEVER LEAVE CHARGING BATTERIES UNATTENDED.**
- **NEVER CHARGE BATTERIES OVERNIGHT.**
- By handling, charging or using the included Li-Po battery, you assume all risks associated with lithium batteries.
- If at any time the battery begins to balloon or swell, discontinue use immediately. If charging or discharging, discontinue and disconnect. Continuing to use, charge or discharge a battery that is ballooning or swelling can result in fire.
- Always store the battery at room temperature in a dry area for best results.
- Always transport or temporarily store the battery in a temperature range of 40–120° F (5–49° C).
- Do not store battery or model in a car or direct sunlight. If stored in a hot car, the battery can be damaged or even catch fire.
- Always charge batteries away from flammable materials.

- Always inspect the battery before charging.
- Always disconnect the battery after charging, and let the charger cool between charges.
- Always constantly monitor the temperature of the battery pack while charging.
- **ONLY USE A CHARGER SPECIFICALLY DESIGNED TO CHARGE LI-PO BATTERIES.** Failure to charge the battery with a compatible charger may cause a fire resulting in personal injury and/or property damage.
- Never discharge Li-Po cells to below 3V under load.
- Never cover warning labels with hook and loop strips.
- Never charge batteries outside recommended levels.
- Never charge damaged batteries.
- Never attempt to dismantle or alter the charger.
- Never allow minors to charge battery packs.
- Never charge batteries in extremely hot or cold places (recommended between 40–120° F or [5–49° C]) or place in direct sunlight.

CHARGING THE BATTERY

NOTICE: Charge only batteries that are cool to the touch and are not damaged. Inspect the battery to make sure it is not damaged e.g., swollen, bent, broken or punctured.

CAUTION: Only use chargers specifically designed to charge the included Li-Po battery. Failure to do so could result in fire, causing injury or property damage.

CAUTION: Never exceed the recommended charge rate.

Use only the included USB charger to charge the battery.

1. Connect the included USB-C power cable to the charger. The charger will work with most 5V mobile power sources or smartphone chargers with at least 1 amp of power output.

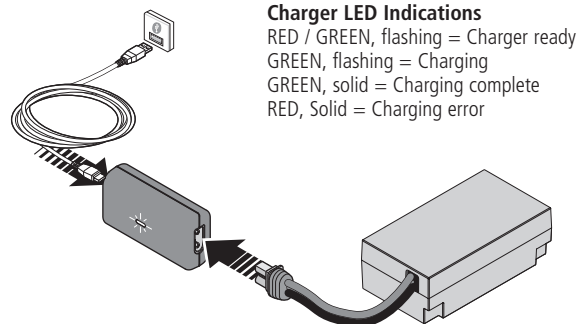
NOTICE: Charging the battery with a USB power port with less than 1 amp of power output can produce heat.

2. Connect the IC2 connector on the battery to the charger, noting correct polarity. Charging a fully discharged battery takes approximately 45–60 minutes. Charge times may vary depending on the power source.

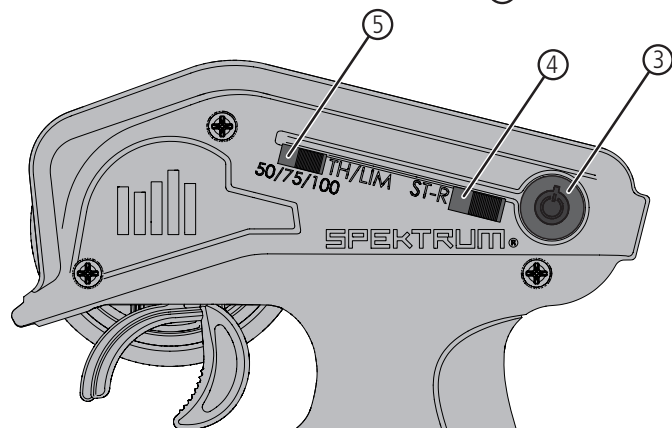
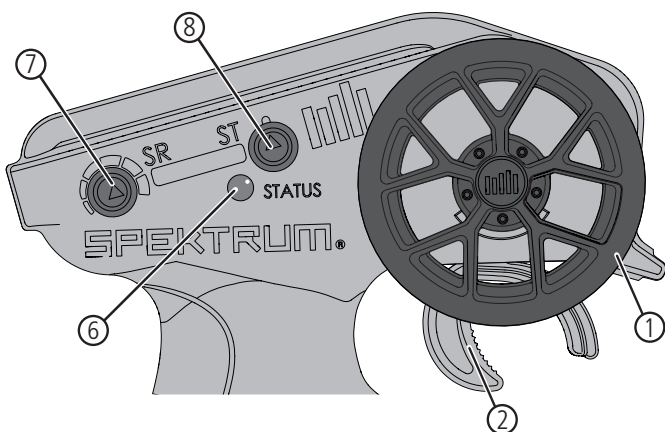
3. Disconnect the battery from the charger when the charging cycle is complete.

4. Disconnect the power supply from the charger.

CAUTION: Once charging is complete, immediately remove the battery. Never leave a battery connected to the charger.



SLT2 TRANSMITTER



1. **Steering Wheel** Controls direction (left/right) of the model
2. **Throttle Trigger** Controls speed and direction (forward/brake/reverse) of the model
3. **Power Button** Turns the power ON/OFF
4. **Steering (ST-R) Servo Reversing** Reverses the steering channel
5. **Throttle Limit** Limits throttle output to 50/75/100%
Select 50% or 75% for less experienced drivers or when you are driving the vehicle in a small area
6. **Indicator Lights**
 - **Solid red light**—Indicates radio connectivity and adequate battery power
 - **Flashing red light**—Indicates the battery voltage is critically low. Replace the batteries
7. **Steering Rate** Adjusts the steering end points
8. **Steering Trim** Adjusts the steering center point

INSTALLING THE TRANSMITTER BATTERIES

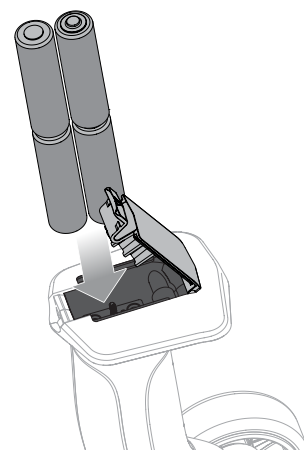
This transmitter requires 4 AA batteries.

1. Remove the battery cover from the transmitter.
2. Install the batteries as shown.
3. Install the battery cover.

CAUTION: Never remove the transmitter batteries while the model is powered ON. Loss of model control, damage, or injury may occur.

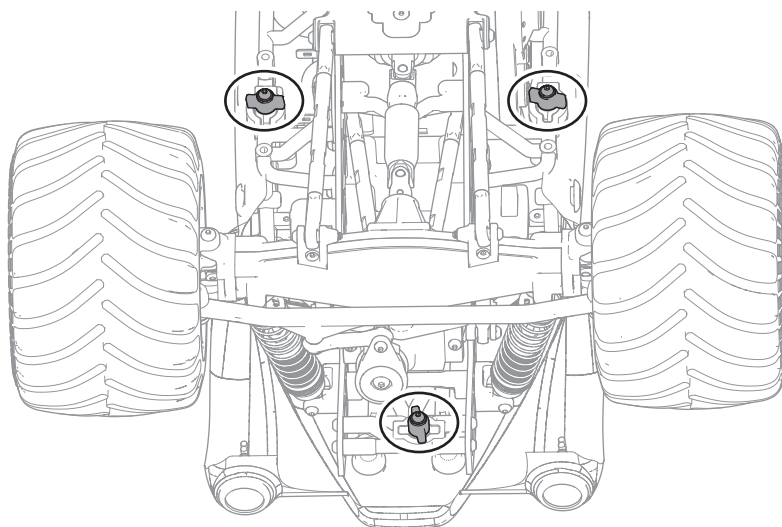
CAUTION: If using rechargeable batteries, charge only rechargeable batteries. Charging non-rechargeable batteries may cause the batteries to burst, resulting in injury to persons and/or damage to property.

CAUTION: Risk of explosion if battery is replaced by an incorrect type. Dispose of used batteries according to national regulations.

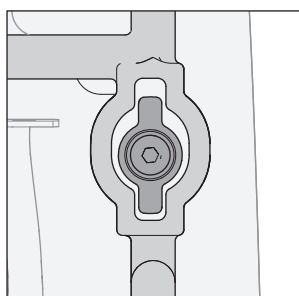


UNLOCKING THE BODY LATCHES

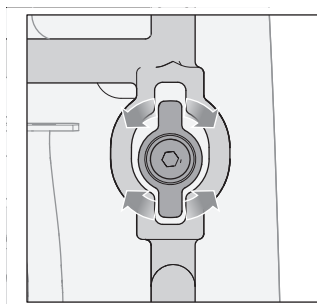
1. There are three twist lock body latches you can access from the front bottom.
2. Rotate the twist lock connectors to align with the slot.



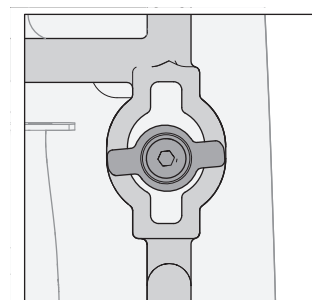
UNLOCKED



ROTATE TO LOCK
OR UNLOCK

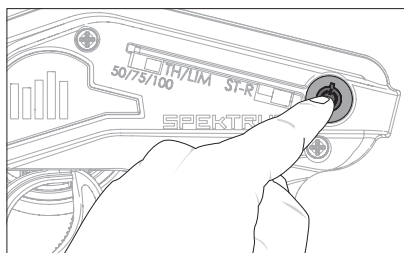


LOCKED

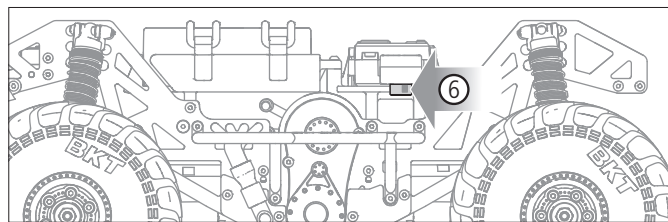


INSTALLING THE BATTERY AND POWERING ON THE VEHICLE

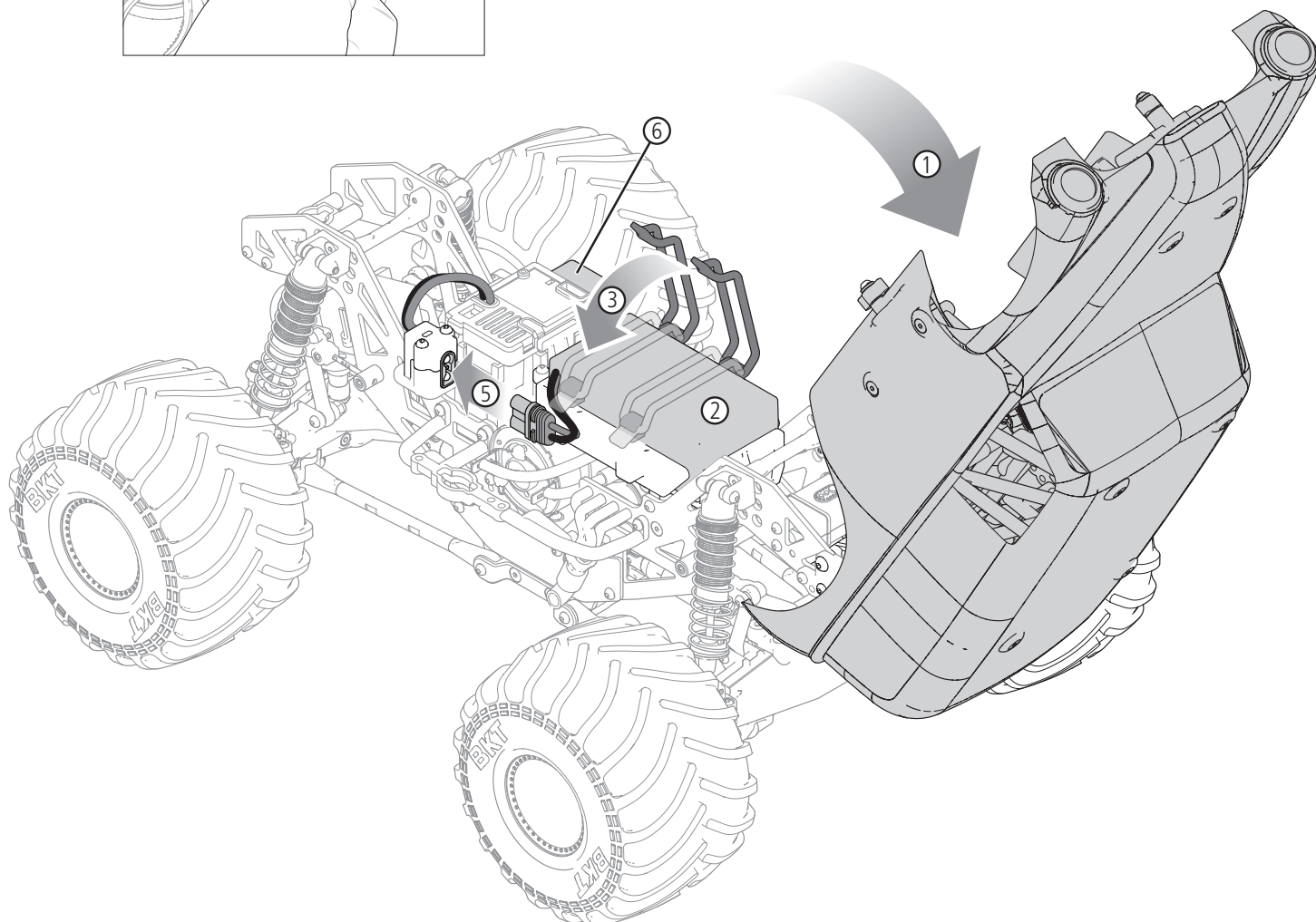
1. Raise the body to access the battery tray.
2. Install the fully charged battery in vehicle.
3. Secure the battery with the elastomer straps.
4. Power on the transmitter.



5. Connect the battery to the ESC/receiver.
6. Power on the ESC/receiver.

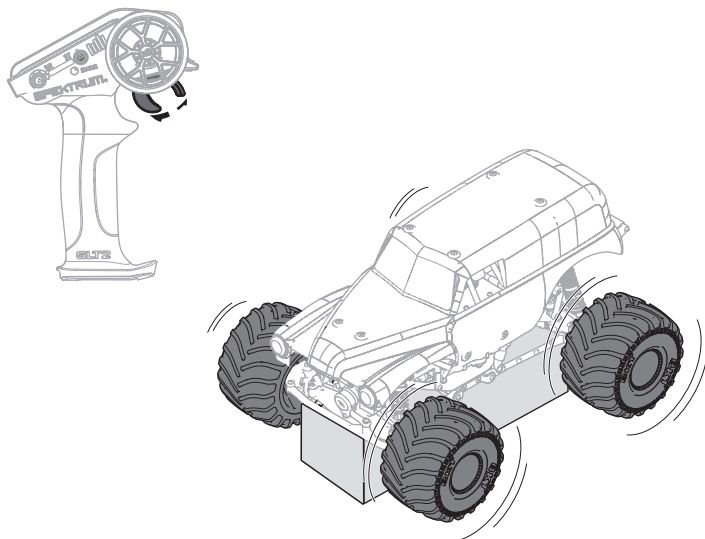


7. Lower the body and secure it with the twist locks.

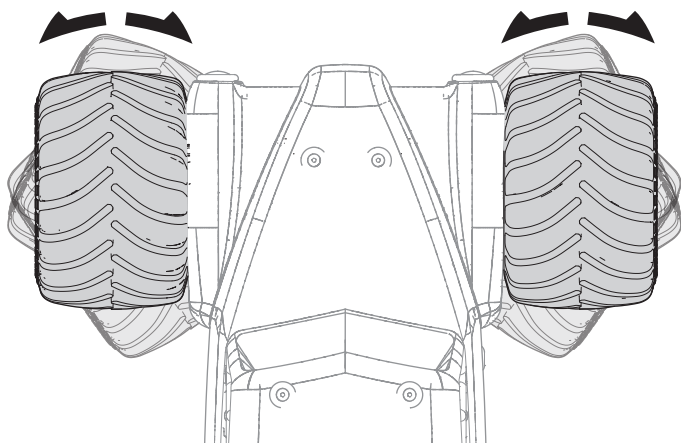
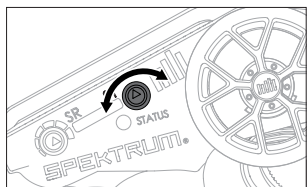


CONTROL TEST

Perform a control test with the vehicle wheels off the ground. If the wheels rotate after the vehicle is powered ON, adjust the Throttle Trim until they stop. To make the wheels move forward, pull the trigger. To reverse them, wait for the wheels to stop, then push the trigger.



When moving forward, the wheels should maintain a straight line without any steering wheel input. If not, adjust the Steering Trim, so the wheels maintain a straight line without having to turn the steering wheel.



DRIVING PRECAUTIONS

- ALWAYS turn on your transmitter before you turn on the receiver in the vehicle. Always power off the receiver before turning your transmitter off.
- Maintain sight of the vehicle at all times.
- Inspect the vehicle for loose wheel hardware.
- Inspect the steering assembly for any loose hardware. Driving the vehicle off-road can cause fasteners to loosen over time.
- ALWAYS operate your vehicle in a wide open area. Operating the vehicle in a small space or indoors can cause overheating at low speeds. Operating at low speed increases heat in the electronic speed control (ESC). Overheating can damage the vehicle and failure may result.
- Do not drive the vehicle in tall grass. Doing so can damage the vehicle or electronics.
- Stop driving the vehicle when you notice a lack of power. Driving the vehicle when the battery is discharged can cause the receiver to power off. You may lose control of the vehicle.
- Do not apply the throttle in forward or reverse if the vehicle is stuck. Applying throttle in this instance can damage the motor or ESC.
- After driving the vehicle, allow the electronics to cool to ambient temperature before using the next battery pack.

RUN TIME

Average run times is approximately 10-12 minutes with the included 810 mAh Spektrum 2s LiPo battery. The condition of a battery pack is also an important factor in both run time and speed. The battery connectors may become hot during driving. Batteries will lose performance and capacity over time.

Driving the vehicle from a stop to full speed repeatedly will damage the batteries and electronics over time. Sudden acceleration will also lead to shorter run times.

TO IMPROVE RUN TIMES

- Seat the motor brushes by driving smoothly on a flat surface during use of the first battery charge. Properly seating the motor brushes will increase the life and performance of the motor.
- Keep your vehicle clean and well maintained.
- Allow more airflow to the ESC and motor.
- Change the gearing to a lower ratio. A lower ratio lowers the operating temperature of the electronics. Use a smaller pinion gear or larger spur gear to lower the gear ratio.

TUNING, ADJUSTING AND MAINTAINING THE VEHICLE

- Examine your vehicle on a regular basis.
- Use a brush to remove dirt and dust.
- Look for damage to the axle housings and other molded parts.
- Re-glue the tires to the wheels, if necessary.
- Use suitable tools to tighten fasteners.
- Make sure the 4-link bars, rod ends, and steering linkages are not bent. Replace any bent linkages.
- Remove the shocks and inspect them for damage. Rebuild the shocks if oil is leaking.
- Inspect electronics and batteries for exposed wires. Repair exposed wires with shrink-wrap or replace the wire.
- Make sure the ESC and receiver are secure on the chassis. Replace the double-sided tape, if necessary.
- Power on your transmitter. If the red light is flashing, replace the AA batteries in the transmitter.

SHOCK CLEANING

Oil-filled shocks will require regular maintenance due to the oil breaking down or getting dirty. This maintenance should be performed after about every 3–5 hours of use, depending on the driving conditions.

- Remove the shock from the vehicle.
- Remove the bottom cartridge from the shock body and dispose of fluid.
- Disassemble the shock. Clean thoroughly with a plastic- and electronic-safe degreaser (DYN5500). Dry parts before assembly.
- Re-assemble the shock and refill the shock body with silicone fluid (17.5 weight recommended, TLR74001).
- Slowly move the shaft and piston up and down to remove air bubbles.
- Move the piston to the midway point of the body and install the bottom cartridge.
- Wipe off any overflowing fluid.
- Re-install the shock on the vehicle.

ADJUSTING RIDE HEIGHT

Chassis Ride height is an adjustment that affects the way the vehicle jumps, turns and goes over bumps. Drop the vehicle from approximately 6 inches (152mm) in height on to a flat surface. When dropping the vehicle, watch how the chassis settles. Make sure that the lower 4-link bars are almost level to the flat surface.

Lowering the chassis ride height where the 4-link bars are below level will increase steering, but increase weight transfer and can cause the truck to become edgy.

Raising the chassis ride height where the 4-link bars are above level will increase the ability of the suspension to absorb bigger jumps and obstacles, but raises the overall center of gravity and can make the truck more prone to flip under power.

SERVICE/REPAIR

RADIO/SPEED CONTROL AND MOTOR

If any problems other than those covered in the troubleshooting section arise, please call the appropriate electronics service department. They will be able to give the problem additional specific attention and provide instructions for the solution.

MAINTENANCE

If any questions other than those covered in the troubleshooting or maintenance sections arise, please call the appropriate Horizon product support department.

CLEANING

Performance can be hindered if dirt gets in any of the moving suspension parts. Use compressed air, a soft paintbrush, or a toothbrush to remove dust or dirt. Avoid using solvents or chemicals as they can actually wash dirt into the bearings or moving parts, as well as cause damage to the electronics.

BINDING

Binding is the process of programming the receiver to recognize the GUID (Globally Unique Identifier) code of a single specific transmitter. **The transmitter and receiver are bound at the factory.** If you need to rebind, follow the instructions below:

1. Disconnect the steering servo from the 2n1 unit.
2. Insert the BIND plug into the steering channel.
3. Connect a fully charged battery to the ESC.
4. Power on the ESC
5. Power ON the transmitter. The receiver's red LED will turn solid when the bind is successful.
6. Power OFF the ESC to save the settings.
7. Power OFF the transmitter.
8. Remove the BIND plug and re-connect the steering servo.

You must rebind when binding the receiver to a different transmitter.

NOTICE: Do not attempt to bind the transmitter and receiver if there are other compatible transmitters in bind mode within 400 feet. Doing so may result in unexpected binding.

TROUBLESHOOTING GUIDE

PROBLEM	POSSIBLE CAUSE	SOLUTION
Vehicle does not operate	Battery not charged or plugged in	Charge battery/plug in
	ESC switch not "On"	Turn on ESC switch
	Transmitter not "On" or low battery	Turn on/replace batteries
Motor runs but rear wheels do not rotate	Pinion not meshing with spur gear	Adjust pinion/spur mesh
	Pinion spinning on motor shaft	Tighten pinion gear setscrew on motor shaft flat spot
	Transmission gears stripped	Replace transmission gears
	Drive pin broken	Check and replace drive pin
Steering does not work	Servo plug not in receiver properly	Make sure the steering servo plug is connected to the receiver steering channel, noting proper polarity
	Servo gears or motor damaged	Replace or repair servo
Will not turn one direction	Servo gears damaged	Replace or repair servo
Motor does not run	Motor wire solder joint is damaged	Resolder the motor wire with the proper equipment
	Motor wire broken	Repair or replace as needed
	ESC damaged	Contact Horizon Hobby Product Support
ESC gets hot	Motor over-gear	Use smaller pinion or larger spur gear
	Driveline bound up	Check wheels and transmission for binding
Poor run time and/or sluggish acceleration	Battery pack not fully charged	Recharge battery
	Charger not allowing full charge	Try another charger
	Driveline bound up	Check wheels, transmission for binding
Poor range and/or glitching	Transmitter batteries low	Check and replace
	Vehicle battery low	Recharge battery
	Loose plugs or wires	Check all wire connections and plugs

LIMITED WARRANTY

What this Warranty Covers

Horizon Hobby, LLC, (Horizon) warrants to the original purchaser that the product purchased (the "Product") will be free from defects in materials and workmanship for a period of 2 years from the date of purchase.

What is Not Covered

This warranty is not transferable and does not cover (i) cosmetic damage, (ii) damage due to acts of God, accident, misuse, abuse, negligence, commercial use, or due to improper use, installation, operation or maintenance, (iii) modification of or to any part of the Product, (iv) attempted service by anyone other than a Horizon Hobby authorized service center, (v) Product not purchased from an authorized Horizon dealer, or (vi) Product not compliant with applicable technical regulations or (vii) use that violates any applicable laws, rules, or regulations.

OTHER THAN THE EXPRESS WARRANTY ABOVE, HORIZON MAKES NO OTHER WARRANTY OR REPRESENTATION, AND HEREBY DISCLAIMS ANY AND ALL IMPLIED WARRANTIES, INCLUDING, WITHOUT LIMITATION, THE IMPLIED WARRANTIES OF NON-INFRINGEMENT, MERCHANTABILITY AND FITNESS FOR A PARTICULAR PURPOSE. THE PURCHASER ACKNOWLEDGES THAT THEY ALONE HAVE DETERMINED THAT THE PRODUCT WILL SUITABLY MEET THE REQUIREMENTS OF THE PURCHASER'S INTENDED USE.

Purchaser's Remedy

Horizon's sole obligation and purchaser's sole and exclusive remedy shall be that Horizon will, at its option, either (i) service, or (ii) replace, any Product determined by Horizon to be defective. Horizon reserves the right to inspect any and all Product(s) involved in a warranty claim. Service or replacement decisions are at the sole discretion of Horizon. Proof of purchase is required for all warranty claims. SERVICE OR REPLACEMENT AS PROVIDED UNDER THIS WARRANTY IS THE PURCHASER'S SOLE AND EXCLUSIVE REMEDY.

Limitation of Liability

HORIZON SHALL NOT BE LIABLE FOR SPECIAL, INDIRECT, INCIDENTAL OR CONSEQUENTIAL DAMAGES, LOSS OF PROFITS OR PRODUCTION OR COMMERCIAL LOSS IN ANY WAY, REGARDLESS OF WHETHER SUCH CLAIM IS BASED IN CONTRACT, WARRANTY, TORT, NEGLIGENCE, STRICT LIABILITY OR ANY OTHER THEORY OF LIABILITY, EVEN IF HORIZON HAS BEEN ADVISED OF THE POSSIBILITY OF SUCH DAMAGES. Further, in no event shall the liability of Horizon exceed the individual price of the Product on which liability is asserted. As Horizon has no control over use, setup, final assembly, modification or misuse, no liability shall be assumed nor accepted for any resulting damage or injury. By the act of use, setup or assembly, the user accepts all resulting liability. If you as the purchaser or user are not prepared to accept the liability associated with the use of the Product, purchaser is advised to return the Product immediately in new and unused condition to the place of purchase.

Law

These terms are governed by Illinois law (without regard to conflict of law principals). This warranty gives you specific legal rights, and you may also have other rights which vary from state to state. Horizon reserves the right to change or modify this warranty at any time without notice.

WARRANTY SERVICES

Questions, Assistance, and Services

Your local hobby store and/or place of purchase cannot provide warranty support or service. Once assembly, setup or use of the Product has been started, you must contact your local distributor or Horizon directly. This will enable Horizon to better answer your questions and service you in the event that you may need any assistance. For questions or assistance, please visit our website at www.horizonhobby.com, submit a Product Support Inquiry, or call the toll free telephone number referenced in the Warranty and Service Contact Information section to speak with a Product Support representative.

Inspection or Services

If this Product needs to be inspected or serviced and is compliant in the country you live and use the Product in, please use the Horizon Online Service Request submission process found on our website or call Horizon to obtain a Return Merchandise Authorization (RMA) number. Pack the Product securely using a shipping carton. Please note that original boxes may be included, but are not designed to withstand the rigors of shipping without additional protection. Ship via a carrier that provides tracking and insurance for lost or damaged parcels, as Horizon is not responsible for merchandise until it arrives and is accepted at our facility. An Online Service Request is available at http://www.horizonhobby.com/content/service-center_render-service-center. If you do not have internet access, please contact Horizon Product Support to obtain a RMA number along with instructions for submitting your product for service. When calling Horizon, you will be asked to provide your complete name, street address, email address and phone number where you can be reached during business hours. When sending product into Horizon, please include your RMA number, a list of the included items, and a brief summary of the problem. A copy of your original sales receipt must be included for warranty consideration. Be sure your name, address, and RMA number are clearly written on the outside of the shipping carton.

NOTICE: Do not ship Li-Po batteries to Horizon. If you have any issue with a Li-Po battery, please contact the appropriate Horizon Product Support office.

Warranty Requirements

For Warranty consideration, you must include your original sales receipt verifying the proof-of-purchase date. Provided warranty conditions have been met, your Product will be serviced or replaced free of charge. Service or replacement decisions are at the sole discretion of Horizon.

Non-Warranty Service

Should your service not be covered by warranty, service will be completed and payment will be required without notification or estimate of the expense unless the expense exceeds 50% of the retail purchase cost. By submitting the item for service you are agreeing to payment of the service without notification. Service estimates are available upon request. You must include this request with your item submitted for service. Non-warranty service estimates will be billed a minimum of ½ hour of labor. In addition you will be billed for return freight. Horizon accepts money orders and cashier's checks, as well as Visa, MasterCard, American Express, and Discover cards. By submitting any item to Horizon for service, you are agreeing to Horizon's Terms and Conditions found on our website http://www.horizonhobby.com/content/service-center_render-service-center.



ATTENTION: Horizon service is limited to Product compliant in the country of use and ownership. If received, a non-compliant Product will not be serviced. Further, the sender will be responsible for arranging return shipment of the un-serviced Product, through a carrier of the sender's choice and at the sender's expense. Horizon will hold non-compliant Product for a period of 60 days from notification, after which it will be discarded.

10/15

WARRANTY AND SERVICE CONTACT INFORMATION

COUNTRY OF PURCHASE	HORIZON HOBBY	CONTACT INFORMATION	ADDRESS
United States of America	Horizon Service Center (Repairs and Repair Requests)	servicecenter.horizonhobby.com/RequestForm/	2904 Research Rd Champaign, Illinois, 61822 USA
	Horizon Product Support (Product Technical Assistance)	productsupport@horizonhobby.com 800-338-4639	
	Sales	websales@horizonhobby.com 888-338-4639	
EU	Horizon Technischer Service Sales: Horizon Hobby GmbH	service@horizonhobby.de +49 (0) 4121 2655 100	Hanskampring 9 D 22885 Barsbüttel, Germany

FCC INFORMATION

FCC ID: BRWWACO1T

Supplier's Declaration of Conformity
LOS Mini LMT: 1/18th Scale 4WD Monster Truck (LOS01026T1/T2)

This device complies with part 15 of the FCC Rules. Operation is subject to the following two conditions: (1) This device may not cause harmful interference, and (2) this device must accept any interference received, including interference that may cause undesired operation.



CAUTION: Changes or modifications not expressly approved by the party responsible for compliance could void the user's authority to operate the equipment.

NOTE: This equipment has been tested and found to comply with the limits for a Class B digital device, pursuant to part 15 of the FCC Rules. These limits are designed to provide reasonable protection against harmful interference in a residential installation. This equipment generates, uses and can radiate radio frequency energy and, if not installed and used in accordance with the instructions, may cause harmful interference to radio communications. However, there is

no guarantee that interference will not occur in a particular installation. If this equipment does cause harmful interference to radio or television reception, which can be determined by turning the equipment off and on, the user is encouraged to try to correct the interference by one or more of the following measures:

- Reorient or relocate the receiving antenna.
- Increase the separation between the equipment and receiver.
- Connect the equipment into an outlet on a circuit different from that to which the receiver is connected.
- Consult the dealer or an experienced radio/TV technician for help.

Horizon Hobby, LLC
 2904 Research Rd.,
 Champaign, IL 61822
 Email: compliance@horizonhobby.com
 Web: HorizonHobby.com

IC INFORMATION

CAN ICES-3 (B)/NMB-3(B)

IC: 6157A-SPMSLT200F

This device contains license-exempt transmitter(s)/receiver(s) that comply with Innovation, Science, and Economic Development Canada's license-exempt RSS(s). Operation is subject to the following 2 conditions:

1. This device may not cause interference.
2. This device must accept any interference, including interference that may cause undesired operation of the device.

COMPLIANCE INFORMATION FOR THE EUROPEAN UNION



EU Compliance Statement:

Hereby, Horizon Hobby, LLC declares that the device is in compliance with the following: Low Voltage Directive (LVD) 2014/35/EU, 2014/30/EU EMC Directive, Radio Equipment Directive (RED) 2014/53/EU, RoHS 2 Directive 2011/65/EU,

RoHS 3 Directive - Amending 2011/65/EU Annex II 2015/863

The full text of the EU declaration of conformity is available at the following internet address: <https://www.horizonhobby.com/content/support-render-compliance>.

Wireless Frequency Range and Wireless Output Power:

Transmitter:

2410–2480MHz
 23.23 dBm

Receiver:

2404–2476MHz
 5.58dBm

EU Manufacturer of Record:

Horizon Hobby, LLC
 2904 Research Road
 Champaign, IL 61822 USA

EU Importer of Record:

Horizon Hobby, GmbH
 Hanskampring 9
 22885 Barsbüttel Germany

WEEE NOTICE:



This appliance is labeled in accordance with European Directive 2012/19/EU concerning waste of electrical and electronic equipment (WEEE). This label indicates that this product should not be disposed of with household waste. It should be deposited at an appropriate facility to enable recovery and recycling.



PARTS LISTINGS | TEILELISTE | LISTE DES PIÈCES | ELENCO COMPONENTI

PART #	ENGLISH	DEUTSCH	FRANÇAIS	ITALIANO
LOS11002	25T Brushed 380 Size Motor	25T gebürsteter 380 Motorvolumen	Moteur à balais 25T taille 380	Motore brushed 25T di dimensioni 380
LOS210042	DriverInsert&SafetySeat:Mini LMT	DriverInsert&SafetySeat:Mini LMT	Pilote inséré et siège auto : Mini LMT	Inserto conducente e sedile di sicurezza: Mini LMT
LOS210043	BodyButton Set,Complete:Mini LMT	KarosserieKnopf-Set, komplett:Mini LMT	Ensemble de boutons de carrosserie, complet :Mini LMT	Kit scocca pulsanti, completo: Mini LMT
LOS210044	BodySet,GraveDigger,Pntd:Mini LMT	BodySet,GraveDigger,Pntd:Mini LMT	Ensemble de carrosserie, Grave Digger, peint : Mini LMT	Kit scocca, GraveDigger, Pntd: Mini LMT
LOS210045	BodySet,GraveDigger,Clr:Mini LMT	BodySet,GraveDigger,Clr:Mini LMT	Ensemble de carrosserie, Grave Digger, transparent : Mini LMT	Kit scocca,GraveDigger,Clr:Mini LMT
LOS210046	BodySet,SonUvaDigger,Pnt:Mini LMT	BodySet,SonUvaDigger,Pnt:Mini LMT	Ensemble de carrosserie, Son Uva Digger, peint : Mini LMT	Kit scocca, SonUvaDigger, Pnt:Mini LMT
LOS210047	BodySet,SonUvaDigger,Clr:Mini LMT	BodySet,SonUvaDigger,Clr:Mini LMT	Ensemble de carrosserie, Son Uva Digger, transparent : Mini LMT	Kit scocca, SonUvaDigger, Clr:Mini LMT
LOS210048	LED Front Headlight Set: Mini LMT	LED-Frontscheinwerfer-Set: Mini LMT	Jeu de phares avant à DEL : Mini LMT	Kit di fari anteriori a LED: Mini LMT
LOS210049	Grill Set, Son Uva Digger: Mini LMT	Kühlergrill-Set, Sohn Uva Digger: Mini LMT	Ensemble de calandres, Son Uva Digger : Mini LMT	Kit per griglia, Escavatore Son Uva: Mini LMT
LOS211042	Battery&Radio Tray Set: Mini LMT	Akku&Funk-Tablett-Satz: Mini LMT	Ensemble batterie et plateau du système radio : Mini LMT	Kit vassoio supporto batteria e radio: Mini LMT
LOS211043	Servo Saver Set: Mini LMT	Servo Saver Satz: Mini LMT	Ensemble d'économiseurs de servo : Mini LMT	Kit salva servo: Mini LMT
LOS211044	Suspension Mounting Set:Mini LMT	Aufhängungsmontagesatz:Mini LMT	Kit de montage de suspension : Mini LMT	Kit di montaggio delle sospensioni: Mini LMT
LOS211045	Wheelie Bar Set, Green: Mini LMT	Wheelie-Stangensatz, grün: Mini LMT	Ensemble de barre de cabré, vert : Mini LMT	Kit barra ruote, Verde: Mini LMT
LOS211046	Wheelie Bar Set, Blue: Mini LMT	Wheelie-Stangensatz, blau: Mini LMT	Ensemble de barre de cabré, bleu : Mini LMT	Kit barra ruote, Blu: Mini LMT
LOS211047	Chassis Cross Brace Set:Mini LMT	Fahrgestell-Querstreben-Satz:Mini LMT	Ensemble de traverses de châssis : Mini LMT	Kit di rinforzi trasversali per il telaio: Mini LMT
LOS211048	4-In-1 Header Set(L/R): Mini LMT	4-in-1-Header-Set (L/R): Mini LMT	Ensemble de collecteurs 4-en-1 (G/D) : Mini LMT	Kit di testate 4 in 1 (L/R): Mini LMT
LOS211049	Cage Set Complete,Green:Mini LMT	Käfigsatz komplett, grün:Mini LMT	Ensemble de cages complet, vert : Mini LMT	Kit gabbia completo, verde: Mini LMT
LOS211050	Cage Set Complete,Blue: Mini LMT	Überrollkäfigsatz, komplett, blau: Mini LMT	Ensemble de cages complet, bleu : Mini LMT	Kit gabbia completo: Mini LMT
LOS211051	SteeringTieRod&DragLink:Mini LMT	LenkungZugstange&DragLink:Mini LMT	Barre d'accouplement de direction et barre d'accouplement : Mini LMT	Tirante di sterzo e collegamento: Mini LMT
LOS211052	Chassis Plate Set,Green:Mini LMT	Fahrgestellplattensatz, grün: Mini LMT	Ensemble de plaques de châssis, vert : Mini LMT	Kit di piastre per telaio, verde: Mini LMT
LOS211053	Chassis Plate Set,Blue: Mini LMT	Fahrgestellplattensatz, blau: Mini LMT	Ensemble de plaques de châssis, bleu : Mini LMT	Kit di piastre per telaio, blu: Mini LMT
LOS212035	Axle Housing Set: Mini LMT	Achsgehäuse-Satz: Mini LMT	Ensemble carter d'essieu : Mini LMT	Kit alloggiamento assale: Mini LMT
LOS212036	Uppr 4-Ink Mnt&SrvoPlt: Mini LMT	Uppr 4-Ink Mnt&SrvoPlt: Mini LMT	Montage 4 bras supérieur et plaque de servo : Mini LMT	Uppr 4-Ink Mnt&SrvoPlt: Mini LMT
LOS212037	CntrGearboxSet w/Covers:Mini LMT	CntrGetriebesatz mit Abdeckungen:Mini LMT	Ensemble boîte à engrenage centrale avec caches : Mini LMT	Kit scatola ingranaggi c/coperture: Mini LMT
LOS212038	CntrSliderDriveshaftSet:Mini LMT	CntrSliderDriveshaftSet:Mini LMT	Ensemble arbre de transmission de coulisseau central : Mini LMT	CntrSliderDriveshaftSet:Mini LMT
LOS212039	CntrSliderDriveshaft(2):Mini LMT	CntrSliderDriveshaft(2):Mini LMT	Arbre de transmission de coulisseau central (2) : Mini LMT	CntrSliderDriveshaft(2):Mini LMT
LOS212040	CntrDrvshaftScrewpin(10):Mini LMT	CntrDrvshaftScrewpin(10):Mini LMT	Cheville à vis d'arbre de transmission central (10) : Mini LMT	CntrDrvshaftScrewpin(10):Mini LMT
LOS212041	Idle&CushDrive GearSet: Mini LMT	Leerlauf&CushDrive Getriebesatz: Mini LMT	Ensemble pignon fou et engrenage d'entraînement amorti : Mini LMT	Gruppo di ingranaggi folle e frizione: Mini LMT
LOS212042	37T RingGear,CntrSpool: Mini LMT	37T RingGear,CntrSpool: Mini LMT	Engrenage à anneau 37T, spool central : Mini LMT	37T RingGear, CntrSpool: Mini LMT
LOS212043	Spool, Center Gear Box: Mini LMT	Spule, Mittelgetriebe: Mini LMT	Spool, boîte à engrenage centrale : Mini LMT	Bobina, scatola del cambio centrale: Mini LMT
LOS212044	Diff Complete (F/R): Mini LMT	Diff komplett (F/R): Mini LMT	Différentiel complet (avant/arrière) : Mini LMT	Diff completo (F/R): Mini LMT
LOS212045	13T Pinion Gear, Center:Mini LMT	13T Zahnradgetriebe, Zentrum:Mini LMT	Engrenage à pignons 13T, centre : Mini LMT	Pignone 13T, centro: Mini LMT
LOS212046	13T Pinion Gear, Axle: Mini LMT	13T Zahnradgetriebe, Achse: Mini LMT	Engrenage à pignons 13T, essieu : Mini LMT	Pignone 13T, assale: Mini LMT
LOS212047	Rear Axle Shaft (2): Mini LMT	Hinterradachse (2): Mini LMT	Arbre d'essieu arrière (2) : Mini LMT	Kit assale posteriore (2): Mini LMT
LOS212048	Rear Dogbone (2): Mini LMT	Hinterer Kotflügel (2): Mini LMT	Dogbone arrière (2) : Mini LMT	Cardano posteriore (2): Mini LMT
LOS212049	Fr Universal Set (2): Mini LMT	Fr Universal Satz (2): Mini LMT	Ensemble universel avant (2) : Mini LMT	Kit univ. fr (2): Mini LMT

PART #	ENGLISH	DEUTSCH	FRANÇAIS	ITALIANO
LOS212050	12mm Hex & Screwpin(4): Mini LMT	12mm Sechskant & Schraubenstift(4): Mini LMT	Moyeu hexagonal 12 mm et chevilles à vis (4) : Mini LMT	Perno vite e esag. 12 mm (4): Mini LMT
LOS212051	WheelHex Screwpins(10): Mini LMT	RadHex Schraubstifte(10): Mini LMT	Chevilles à vis hexagonale de roue (10) : Mini LMT	Perni a vite ruota esagonale(10): Mini LMT
LOS212053	Pinion 15T,0.5m,2mmShaft:Mini LMT	Ritzel 15T, 0,5m, 2mmWelle:Mini LMT	Pignon 15T, 0,5 m, arbre de 2 mm : Mini LMT	Pignone 15T, 0,5m, 2mm Albero: Mini LMT
LOS213010	Shock Set Complete (2): Mini LMT	Stoßdämpfersatz, komplett (2): Mini LMT	Ensemble amortisseur complet (2) : Mini LMT	Kit ammortizzatori completo (2): Mini LMT
LOS213011	ShckCartRebuildKit(4): Mini LMT	ShckCartRebuildKit(4): Mini LMT	kit de reconstruction d'amortisseur (4) : Mini LMT	ShckCartRebuildKit(4): Mini LMT
LOS213012	Shock Shaft Rebuild (2):Mini LMT	Umbau der Stoßdämpferwelle (2): Mini LMT	Reconstruction arbre d'amortisseur (2) : Mini LMT	Ricostruzione dell'albero degli ammortizzatori (2): Mini LMT
LOS213015	Shock Springs Soft, Yellow (4): Mini LMT	Stoßdämpferfedern weich, gelb (4): Mini LMT	Ressorts d'amortisseur, doux, jaunes (4) : Mini LMT	Molle ammortizzatori morbido, giallo (4): Mini LMT
LOS213016	Shock Springs Med, Blue (4): Mini LMT	Stoßdämpferfedern weich, blau (4): Mini LMT	Ressorts d'amortisseur, moyens, bleus (4) : Mini LMT	Molle ammortizzatori medio, blu (4): Mini LMT
LOS213017	Shock Springs Firm, Red (4):Mini LMT	Stoßdämpferfedern fest, rot (4):Mini LMT	Ressorts d'amortisseurs, fermes, rouges (4) : Mini LMT	Molle ammortizzatori saldo, rosso (4):Mini LMT
LOS214041	Spindle & Carrier Set: Mini LMT	Spindel- & Trägersatz: Mini LMT	Ensemble axe et support : Mini LMT	Kit fuselli e portafuselli Mini LMT
LOS214042	Sway Bar Set (F/R): Mini LMT	Stabilisatorensatz (V/H): Mini LMT	Ensemble barre stabilisatrice (avant/arrière) : Mini LMT	Kit barra antirollio (A/P): Mini LMT
LOS214043	Rr Axle Mount Set,0 deg:Mini LMT	Rr Achshalter Satz,0 Grad:Mini LMT	Ensemble support d'essieu arrière, 0 deg. : Mini LMT	Kit di supporti per assale posteriore, 0 gradi: Mini LMT
LOS214044	Upper 4-link Bar Set(4):Mini LMT	Oberer viergliedriger Lenkersatz(4):Mini LMT	Ensemble barre à 4 bras supérieure (4) : Mini LMT	Kit barra 4-link superiore (4): Mini LMT
LOS214045	Lower 4-link Bar Set(4):Mini LMT	Unterer viergliedriger Lenkersatz(4):Mini LMT	Ensemble barre à 4 bras inférieure (4) : Mini LMT	Kit barra 4-link inferiore (4): Mini LMT
LOS214046	King Pin Set (4): Mini LMT	Achsschenkelbolzen-Satz (4): Mini LMT	Ensemble axe de pivotement (4) : Mini LMT	Kit perni di fuso (4): Mini LMT
LOS214047	4-Link Rod Ends and Pivot Balls (16): Mini LMT	Viergliedriger Gelenkkopf und Gelenkkugeln (16): Mini LMT	Embouts de bielle à 4 bras et rotules (16) : Mini LMT	Tiranti e sfere del perno del 4-Link (16): Mini LMT
LOS215001	Cap Head Screws, M2x8mm (10)	Inbusschrauben, M2x8mm (10)	Vis d'assemblage creuses, M2x8mm (10)	Viti testa cilindrica M2x8 mm (10)
LOS215002	Flat Head Screws, M2x8mm (10)	Flachkopfschrauben, M2x8mm (10)	Vis à tête plate, M2x8mm (10)	Viti testa piana, M2x8 mm (10)
LOS215003	Flat Head Screws, M2x12mm (10)	Flachkopfschrauben, M2x12mm (10)	Vis à tête plate, M2x12mm (10)	Viti a testa piana, M2 x 12 mm (10)
LOS215004	Button Head Screws, M2x5mm (10)	Rundkopfschrauben, M2x5mm (10)	Vis à tête bombée, M2x5mm (10)	Viti testa tonda, M2x5 mm (10)
LOS215005	Button Head Screws, M2x8mm (10)	Rundkopfschrauben, M2x8mm (10)	Vis à tête bombée, M2x8mm (10)	Viti a testa tonda, M2 x 8 mm (10)
LOS215006	Button Head Screws, M2x10mm (10)	Rundkopfschrauben, M2x10mm (10)	Vis à tête bombée, M2x10mm (10)	Viti a testa tonda, M2 x 10 mm (10)
LOS215007	Button Head Screws, M2x14mm (10)	Rundkopfschraube, M2x14mm (10)	Vis à tête bombée, M2x14mm (10)	Viti testa tonda, M2x14mm (10)
LOS215008	Button Head Screws, M2x16mm (10)	Rundkopfschrauben, M2x16mm (10)	Vis à tête bombée, M2x16mm (10)	Viti testa tonda, M2x16 mm (10)
LOS215009	Button Head Screws, M2x20mm (10)	Flachkopfschrauben, M2x20mm (10)	Vis à tête bombée M2x20mm (10)	Viti testa tonda, M2 x 20 mm (10)
LOS215010	Cap Head Screws, M2x25mm (10)	Inbusschrauben, M2x25mm (10)	Vis d'assemblage creuses, M2x25mm (10)	Viti testa cilindrica M2x25 mm (10)
LOS216008	Washer, 2.2mm x 4.5mm x 0.3mm (10)	Unterlegscheibe, 2.2mm x 4,5mm x 0,3mm (10)	Rondelle, 2,2mm x 4,5mm x 0,3mm (10)	Rondelle 2,2 x 4,5 x 0,3 mm (10)
LOS216009	E-Clip and Shim Set: Mini LMT	E-Clip und Dichtscheiben-Satz: Mini LMT	Ensemble de cales et d'attaches en E : Mini LMT	Kit di clip e spessori E-Clip: Mini LMT
LOS217002	5x8x2.5mm BB, Flanged(4):Mini LMT	5x8x2,5mm BB, geflanscht(4):Mini LMT	Roulement à billes 5x8x2,5mm, à collet (4) : Mini LMT	5x8x2,5 mm BB, flangiato(4): Mini LMT
LOS217003	7x13x3mm BallBearing(4):Mini LMT	7x13x3mm Kugellager(4):Mini LMT	Roulement à billes 7X13x3mm (4) : Mini LMT	7x13x3mm cuscinetto a sfera(4):Mini LMT
LOS235014	"Lock Nut, M2 x 0.4 x4mm (10)"	"Lock Nut, M2 x 0.4 x4mm (10)"	Contre-écrou, M2 x 0,4 x 4mm (10)	"Controdado, M2 x 0,4 x 4 mm (10)"
LOS235029	M2 x 4mm Cap Head Screws (10)	M2 x 4mm Cap Head Screws (10)	Vis d'assemblage creuses M2 x 4mm (10)	Vite a testa tonda M2 x 4 mm (10)
LOS257007	4 x 8 x 3mm Ball Bearing (4)	4 x 8 x 3mm Kugellager (4)	Roulement à billes 4 x 8 x 3mm (4)	Cuscinetti a sfera 4x8x3 mm (4)
LOS41042	Monster Truck Tire(L/R):Mini LMT	Monster-Truck-Reifen(L/R): Mini LMT	Pneu de monster truck (G/D) : Mini LMT	Pneumatico Monster Truck(S/D): Mini LMT
LOS41043	Foam Tire Insert (2): Mini LMT	Schaumstoff-Reifeneinsatz (2): Mini LMT	Fond de pneu en mousse (2) : Mini LMT	Inserto pneumatico in schiuma (2): Mini LMT
LOS41044	Whl,Grn Beadlock,Gry(2):Mini LMT	Whl,Grn Beadlock,Gry(2):Mini LMT	Roue, verrou vert, gris (2) : Mini LMT	Ruota, verde Beadlock, gri(2):Mini LMT
LOS41045	MT,GrnBeadlock,Prmntd(2):Mini LMT	MT,GrnBeadlock,Prmntd(2):Mini LMT	Roue, verrou vert, prémonté (2) : Mini LMT	MT, VerdeBeadlock, Prmntd(2):Mini LMT
LOS41046	Whl,BlueBeadlock,Gry(2):Mini LMT	Whl,BlueBeadlock,Gry(2):Mini LMT	MT, verrou bleu, gris (2) : Mini LMT	Ruota, BluBeadlock, gri(2):Mini LMT
LOS41047	MT,BluBeadlock,Prmntd(2):Mini LMT	MT,BluBeadlock,Prmntd(2):Mini LMT	MT, verrou bleu, prémonté (2) : Mini LMT	MT, BluBeadlock, Prmntd(2):Mini LMT
LOS75001	Super Tacky Diff Grease	Super Tacky Diff Grease	Graisse pour diff Super Tacky	Grasso per diffusori super appiccicoso
LOS83008	3x6x2.5mm Ball Bearing (2)	3 x 6 x 2,5 mm Kugellager (2)	Roulement à billes 3 x 6 x 2,5 mm (2)	Cuscinetti a sfera 3x6x2,5 mm (2)
SPMRLT320	SLT3 3CH 2.4Ghz with SLR300 RX	SLT3 3CH 2,4 Ghz mit SLR300 RX	Récepteur STL3 3 canaux 2,4 GHz avec SLR300	SLT3 3CH 2.4Ghz con SLR300 RX
SPMSSX108	SX108 Micro Gear Servo	SX108 Mikro servogetriebe	Micro servo à engrenage SX108	Servo micro ingranaggi SX108

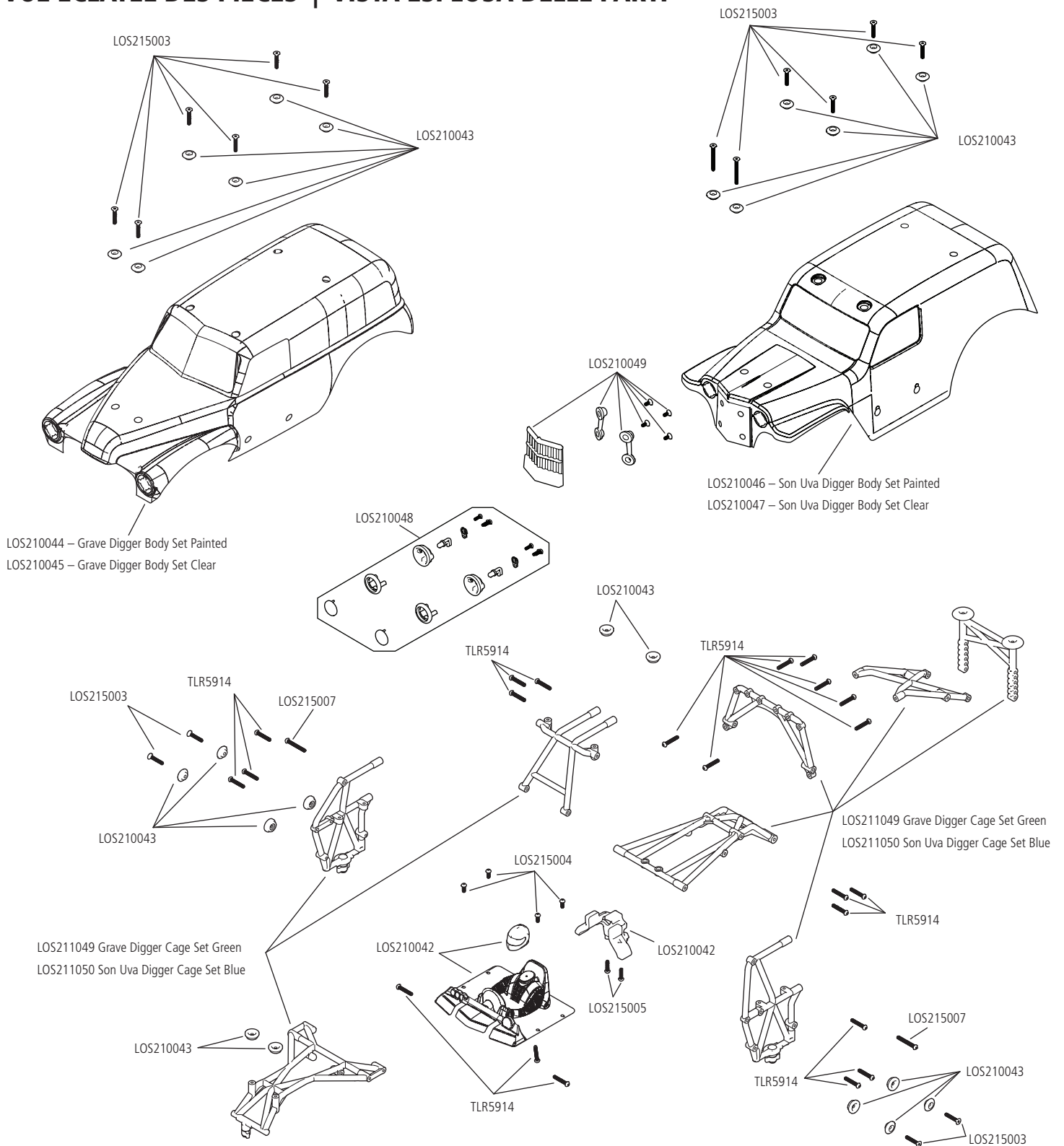
PART #	ENGLISH	DEUTSCH	FRANÇAIS	ITALIANO
SPMX812SH2	810mAh 2S 7.4V Smart G2 LiPo: I	810mAh 2S 7.4V Smart G2 LiPo: I	Li-Po G2 Smart 7,4 V 810 mAh 2S LiPo : I	810mAh 2S 7.4V Smart G2 LiPo: I
SPMXC0040	S10 G2 2S USB-C Charger w/ IC2	S10 G2 2S USB-C Ladegerät w/ IC2	Chargeur USB-C S10 G2 2S avec IC2	S10 G2 2S Caricabatterie USB-C con IC2
SPMXSE3025RX	SLT 25a ESC/RX 1/16 & 1/18, IC2	SLT 25a ESC/RX 1/16 & 1/18, IC2	ESC/récepteur SLT 25a 1/16 et 1/18, IC2	SLT 25a ESC/RX 1/16 e 1/18, IC2
TLR245008	Cap Head Screws, M2x10mm (10)	Inbusschrauben, M2x10mm (10)	Vis d'assemblage creuses, M2x10 mm (10)	Viti testa cilindrica M2x10 mm (10)
TLR245011	Button Head Screws, M2x6mm (10)	Rundkopfschrauben, M2x6 mm (10)	Vis à tête bombée, M2 x 6 mm (10)	Viti testa tonda, M2x6 mm (10)
TLR245016	M3 Flanged Lock Nuts (10)	M3 Sicherungsmuttern mit Flansch (10)	Contre-écrous à collet M3 (10)	Dadi flangiati M3 (10)
TLR255003	Cap Head Screws, M2.5x6mm (10)	Inbusschrauben, M2.5x6mm (10)	Vis d'assemblage creuses, M2,5 x 6 mm (10)	Viti testa cilindrica, M2.5x6mm (10)
TLR5913	ButtonHeadScrews,M2.5 x 12mm(10)	Rundkopfschrauben M2,5 x 12 mm (10)	Vis à tête bombée, M2,5x12 mm (10)	Viti a testa tonda, 2,5 x 12 mm (10)
TLR5914	Button Head Screws,M2 x 12mm(10)	Rundkopfschrauben, M2 x 12 mm (10)	Vis à tête bombée, M2 x 12 mm (10)	Viti a testa tonda, M2 x 12 mm (10)
TLR5960	Flathead Screws, M2 x 6mm (10)	Flachkopfschrauben, M2 x 6 mm (10)	Vis à tête plate, M2 x 6 mm (10)	Viti a testa piana, M2 x 6 mm (10)
TLR74001	Silicone Shock Oil, 17.5wt, 150CST, 2oz	STOSSDÄMPFER-SILIKONÖL, 17,5 WT, 150 CST, 2 OZ	HUILE SILICONE POUR AMORTISSEUR, 17,5 WT, 150 CST, 59,15 ML (2 OZ)	OLIO SIL AMM,17.5WT,150CST,2OZ

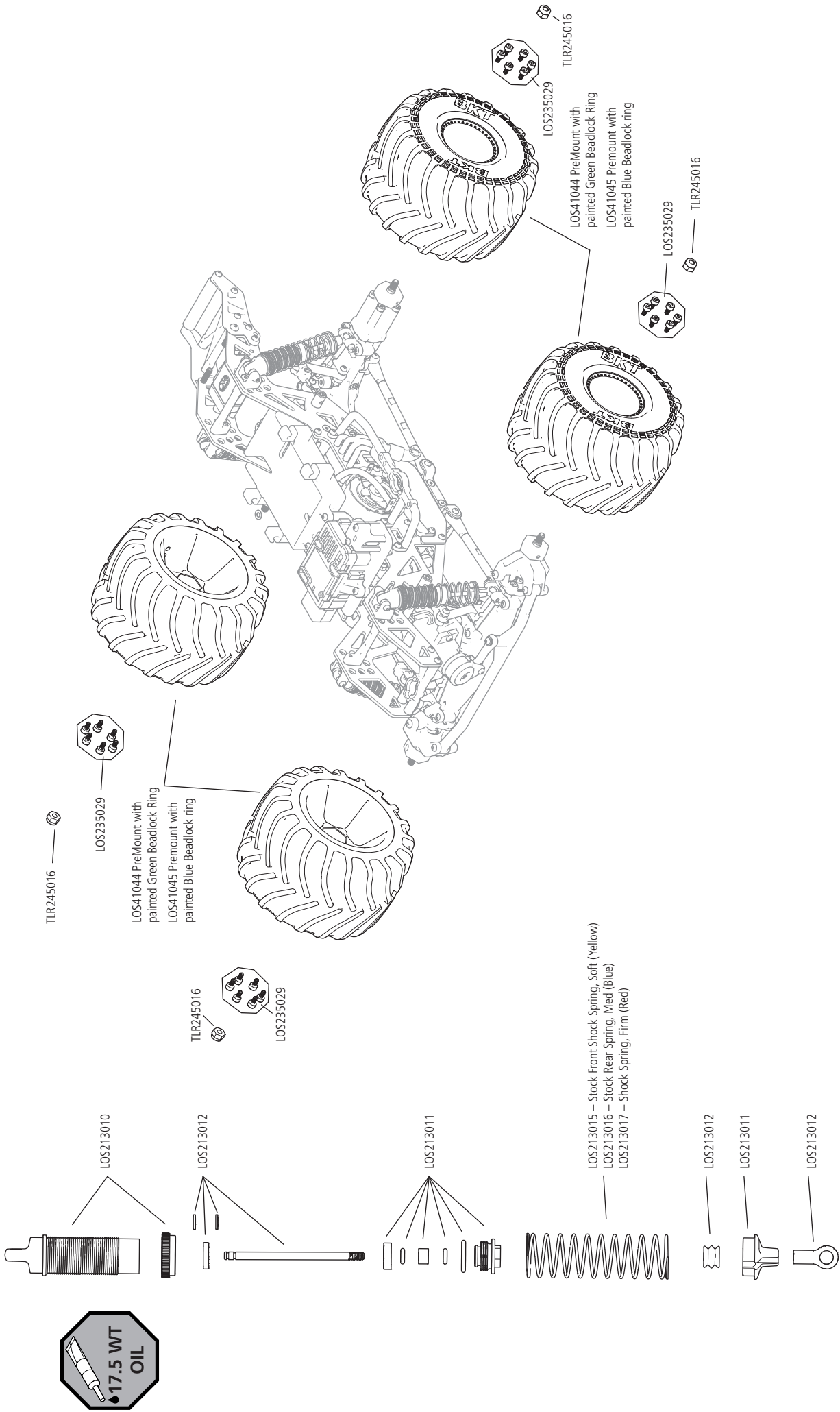
OPTIONAL PARTS | OPTIONALE BAUTEILE | PIÈCES OPTIONNELLES | PEZZI OPZIONALI

PART #	ENGLISH	DEUTSCH	FRANÇAIS	ITALIANO
DYN2511	Curved Body Scissors	Gebogene Karosserieschere	Ciseaux de corps courbés	Forbici curve per scocca
DYN2516	Straight Body Scissors	Gerade Karosserieschere	Ciseaux de corps droits	Forbici dritte per scocca
DYNT2010	Machined Nut Driver Set (4) Metric	Set gefräste Steckschlüssel (4) metrisch	Ensemble tourne-écrou usiné (4) Métrique	Set di chiavi metriche (4)
DYNT2030	Machined Hex Driver Set (4) Met	Bearbeiteter Sechskantschlüssel-Satz (4) Met.	Ensemble clé à six pans usinée (4) Métrique	Set di chiavi a brugola metriche (4)
LOS212052	Pinion 14T,0.5m,2mmShaft:Mini LMT	Ritzel 14T, 0,5m, 2mmWelle:Mini LMT	Pignon 14T, 0,5 m, arbre de 2 mm : Mini LMT	Pignone 14T, 0,5m, 2mm Albero: Mini LMT
LOS212054	Pinion 16T,0.5m,2mmShaft:Mini LMT	Ritzel 16T, 0,5m, 2mmWelle:Mini LMT	Pignon 14T, 0,5 m, arbre de 2 mm : Mini LMT	Pignone 16T, 0,5m, 2mm Albero: Mini LMT
LOS31004	Body Buttons Aluminum, Green (10): Mini LMT	Körperknöpfe Aluminium, grün (10): Mini LMT	Boutons de carrosserie aluminium, vert (10) : Mini LMT	Pulsanti scocca alluminio, verde (10): Mini LMT
LOS31005	Body Buttons, Aluminum, Blue (10): Mini LMT	Gehäusetasten, Aluminium, blau (10): Mini LMT	Boutons de carrosserie aluminium, bleu (10) : Mini LMT	Pulsanti scocca alluminio, Blu (10): Mini LMT
LOS311020	Steering Tie Rod, Aluminum, BLK: Mini LMT	Lenkungsspurstange, Aluminium, BLK: Mini LMT	Barre d'accouplement de direction, aluminium, noire : Mini LMT	Tirante dello sterzo, alluminio, NERO: Mini LMT
LOS311014	Body Mount Cross Bar, Aluminum, BLK (2): Mini LMT	Körpermontage-Querstange, Aluminium, BLK (2): Mini LMT	Barre transversale de support de carrosserie, aluminium, noire (2) : Mini LMT	Barra trasversale per il montaggio su scocca, alluminio, NERO (2): Mini LMT
LOS311015	Crossbar, Center, Top, Aluminum, BLK: Mini LMT	Querstange, Mitte, oben, Aluminium, BLK: Mini LMT	Barre transversale, centrale, supérieure, aluminium, noire : Mini LMT	Traversa, centrale, superiore, alluminio, NERO: Mini LMT
LOS311016	Crossbar, Shock Mount, Aluminum, Blk (2): Mini LMT	Querstange, Stoßdämpferbefestigung, Aluminium, schwarz (2): Mini LMT	Barre transversale, support d'amortisseur, aluminium, noire (2) : Mini LMT	Traversa, attacco ammortizzatore, alluminio, nero (2): Mini LMT
LOS311017	Hoop Crossbar, Aluminum, Blk (2): Mini LMT	Bügel-Querträger, Aluminium, schwarz (2): Mini LMT	Barre transversale de cerceau, aluminium, noire (2) : Mini LMT	Traversa a cerchio, alluminio, nero (2): Mini LMT
LOS311018	Servo Arm, Aluminum, Blk: Mini LMT	Servoarm, Aluminium, schwarz: Mini LMT	Bras de servo, aluminium, noire : Mini LMT	Braccio servo, alluminio, nero: Mini LMT
LOS311019	Wheelie Bump, Aluminum, BLK: Mini LMT	Wheelie Stosstange, Aluminium, schwarz: Mini LMT	Pare-chocs de cabré, aluminium, noir : Mini LMT	Paracolpi, alluminio, NERO: Mini LMT
LOS312008	Axle Housing Set, Aluminum, Black: Mini LMT	Achsgehäuse-Satz, Aluminium, schwarz: Mini LMT	Ensemble du carter d'essieu, aluminium, noir : Mini LMT	Kit alloggiamento assale, alluminio, nero: Mini LMT
LOS312009	Axle Mount Rear, 0deg, Aluminum, Blk: Mini LMT	Achshalterung hinten, 0Grad, Aluminium, schwarz: Mini LMT	Support d'essieu arrière, 0 deg., aluminium, noir : Mini LMT	Montaggio sull'assale posteriore, 0deg, alluminio, nero: Mini LMT
LOS314006	Lower 4-link Mount Set, Aluminum, Black (4): Mini LMT	Unterer viergliedriger Befestigungssatz, Aluminium, schwarz (4): Mini LMT	Ensemble support à 4 bras inférieur, aluminium, noir (4) : Mini LMT	Kit di supporti inferiori a 4 link, alluminio, nero (4): Mini LMT
LOS314007	Steering Spindle Set, Aluminum, Black: Mini LMT	Lenkungsspindel-Satz, Aluminium, schwarz: Mini LMT	Ensemble de l'arbre de direction, aluminium, noir : Mini LMT	Kit di fusi di sterzo, alluminio, nero: Mini LMT
LOS314008	Spindle Carrier Set, 0deg, Aluminum, Blk: Mini LMT	Spindelträgersatz, 0Grad, Aluminium, schwarz: Mini LMT	Ensemble axe et support, 0 deg., aluminium, noir : Mini LMT	Kit di portamandrini, 0deg, alluminio, nero: Mini LMT
LOS314010	Upper 4-link Mount, Aluminum, Black: Mini LMT	Obere viergliedrige Halterung, Aluminium, schwarz: Mini LMT	Auport à 4 bras supérieur, aluminium, noir : Mini LMT	Supporto superiore a 4 link, alluminio, nero: Mini LMT
LOS314012	Spindle Carrier Set, 5deg, Aluminum, Blk: Mini LMT	Spindelträgersatz, 5Grad, Aluminium, schwarz: Mini LMT	Ensemble axe et support, 5 deg., aluminium, noir : Mini LMT	Kit di portamandrini, 5deg, alluminio, nero: Mini LMT
LOS70000	LOSI Foam Pit Mat, 24" x 68"	LOSI Schaumstoff-Boxenmatte, 24" x 68"	Pit mat en mousse LOSI, 24 po x 68 po	Tappetino in schiuma LOSI, 24" x 68"
LOSB1107	Course/Track Cones,Orng 2.75 (6)	Kurs/Spur Kegel,Orng 2.75 (6)	Cones de parcours/piste, orange 2,75 (6)	Percorso/Pista Coni, Orng 2,75 (6)
DYNT2030	Machined Hex Driver Set (4pc) Metric	Inbusschlüsselset (4) Metrisch	Clés BTR usinées 4 pièces, métrique	Set cacciaviti a brugola lavorati, metrico (4)
DYNT2010	Machined Nut Driver Set (4pc), Metric	Steckschlüsselset CNC gefräst 4Stk. metrisch	Clés à écrous usinées 4 pièces, métrique	Set cacciaviti dadi lavorati, metrico (4)
SPMX652SH2	650mAh 2S 7.4V Smart G2 LiPo: I	650mAh 2S 7,4V Smart G2 LiPo: I	Li-Po G2 Smart 7,4 V 650 mAh 2S LiPo : I	650mAh 2S 7.4V Smart G2 LiPo: I
SPMXC2020	Smart S1200 G2 AC Charger; 1x200	Smart S1200 G2 Wechselstrom-Ladegerät; 1x200 W	Chargeur Smart CA S1200 G2, 1 x 200 W	Caricabatterie Smart S1200 CA G2, 1x200 W

PART #	ENGLISH	DEUTSCH	FRANÇAIS	ITALIANO
SPMXCA320	Adapter: IC3 Batt / IC2 Dev 6	Adapter: IC3 Akku/IC2 Gerät 6	Adaptateur : batterie IC3/dispositif IC2 6	Adattatore: Batteria IC3 / Dispositivo IC2 6
SPMXCA400	Smart Lipo Bag, 14 x 6.5 x 8 cm	Smart LiPo Ladetasche 14 x 6,5 x 8 cm	Sac Li-Po Smart 14 x 6,5 x 8 cm	Borsa Smart LiPo 14 x 6,5 x 8 cm
TLR31003	Shock Set, Aluminum (4): Mini LMT	Stoßdämpfersatz, Aluminium (4): Mini LMT	Ensemble d'amortisseurs, aluminium (4) : Mini LMT	Kit ammortizzatori alluminio (4): Mini LMT
TLR314009	Lower Shock Mount, Aluminum, Black (4): Mini LMT	Untere Stoßdämpferhalterung, Aluminium, schwarz (4): Mini LMT	Support d'amortisseur inférieur, aluminium, noir (4) : Mini LMT	Supporto ammortizzatore inferiore, alluminio, nero (4): Mini LMT
TLR314010	Upper shock Mount, Aluminum, Black (4): Mini LMT	Obere Stoßdämpferhalterung, Aluminium, schwarz (4): Mini LMT	Support d'amortisseur supérieur, aluminium, noir (4) : Mini LMT	Supporto ammortizzatore superiore, alluminio, nero (4): Mini LMT
TLR74000	SIL SHOCK OIL, 15WT, 104CST, 2OZ	STOSSDÄMPFER-SILIKONÖL, 15 WT, 104 CST, 2 OZ	HUILE SILICONE POUR AMORTISSEUR, 15 WT, 104 CST, 59,15 ML (2 OZ)	OLIO SIL AMM, 15WT, 104CST, 2OZ
TLR74002	SIL SHOCK OIL, 20WT, 195CST, 2OZ	STOSSDÄMPFER-SILIKONÖL, 20 WT, 195 CST, 2 OZ	HUILE SILICONE POUR AMORTISSEUR, 20 WT, 195 CST, 59,15 ML (2 OZ)	OLIO SIL AMM, 20WT, 195CST, 2OZ
TLR74003	SIL SHOCK OIL, 22.5WT, 223CST, 2OZ	STOSSDÄMPFER-SILIKONÖL, 22,5 WT, 223 CST, 2 OZ	HUILE SILICONE POUR AMORTISSEUR, 22,5 WT, 223 CST, 59,15 ML (2 OZ)	OLIO SIL AMM, 22.5WT, 223CST, 2OZ
TLR74004	SIL SHOCK OIL, 25WT, 250CST, 2OZ	STOSSDÄMPFER-SILIKONÖL, 25 WT, 250 CST, 2 OZ	HUILE SILICONE POUR AMORTISSEUR, 25 WT, 250 CST, 59,15 ML (2 OZ)	OLIO SIL AMM, 25WT, 250CST, 2OZ
SPMSSX117	SX117 Micro Servo Metal Gear/Ca	SX117 Mikro-Servo Metallgetriebe/Ca	SX117 Micro Servo Engrenage métallique/ Ca	SX117 Servo micro ingranaggi in metallo/Ca
SPMXC2050	Smart S155 G2 AC 1x55W Charger	Smart S155 G2 1x55 W Wechselstrom-Ladegerät	Chargeur c.a. Smart S155 G2 1x55 W	Caricabatterie Smart S155 G2 AC 1x55 W
SPMX6502SH2	650mAh 2S 7.4V 30C LiPo;	650mAh 2S 7,4V 30C LiPo;	LiPo 650 mAh 2S 7,4 V 30 C ;	650mAh 2S 7.4V 30C LiPo;
SPMX8102SH2	810mAh 2S 7.4V 50C LiPo;	810mAh 2S 7,4V 50C LiPo;	LiPo 810 mAh 2S 7,4 V 50 C ;	810mAh 2S 7.4V 50C LiPo;
TLR336005	M3 Flanged Aluminum Lock Nuts, Black (10)	M3 Aluminium Stopmutter mit Bund Schwarz (10)	Écrou auto-freiné épaulé M3 en aluminium, noir (10)	Dadi autobloccanti allum. fl angciati M3, neri (10)
TLR76009	TLR Lok Threadlock Blue	TLR Lok, Schraubensicherung, blau	Verrou TLR, frein-fi let, bleu	TLR Lok, frenafi letti, blu
TLR77000	High-Pressure Black Grease	High-Pressure Fett Schwarz/8cc	Graisse noire haute pression, 8cc	Grasso nero alta pressione, 8cc

**EXPLODED VIEW | EXPLOSIONSZEICHNUNG |
VUE ÉCLATÉE DES PIÈCES | VISTA ESPLOSA DELLE PARTI**







WWW.LOSI.COM

468669.1

Updated 7/2023 | LOS01026T1/T2

©2023 Horizon Hobby, LLC.

Losi, Dynamite, IC2, and the Horizon Hobby logo are trademarks or registered trademarks of Horizon Hobby, LLC.

The Spektrum trademark is used with permission of Bachmann Industries, Inc. All other trademarks, service marks and logos are property of their respective owners.