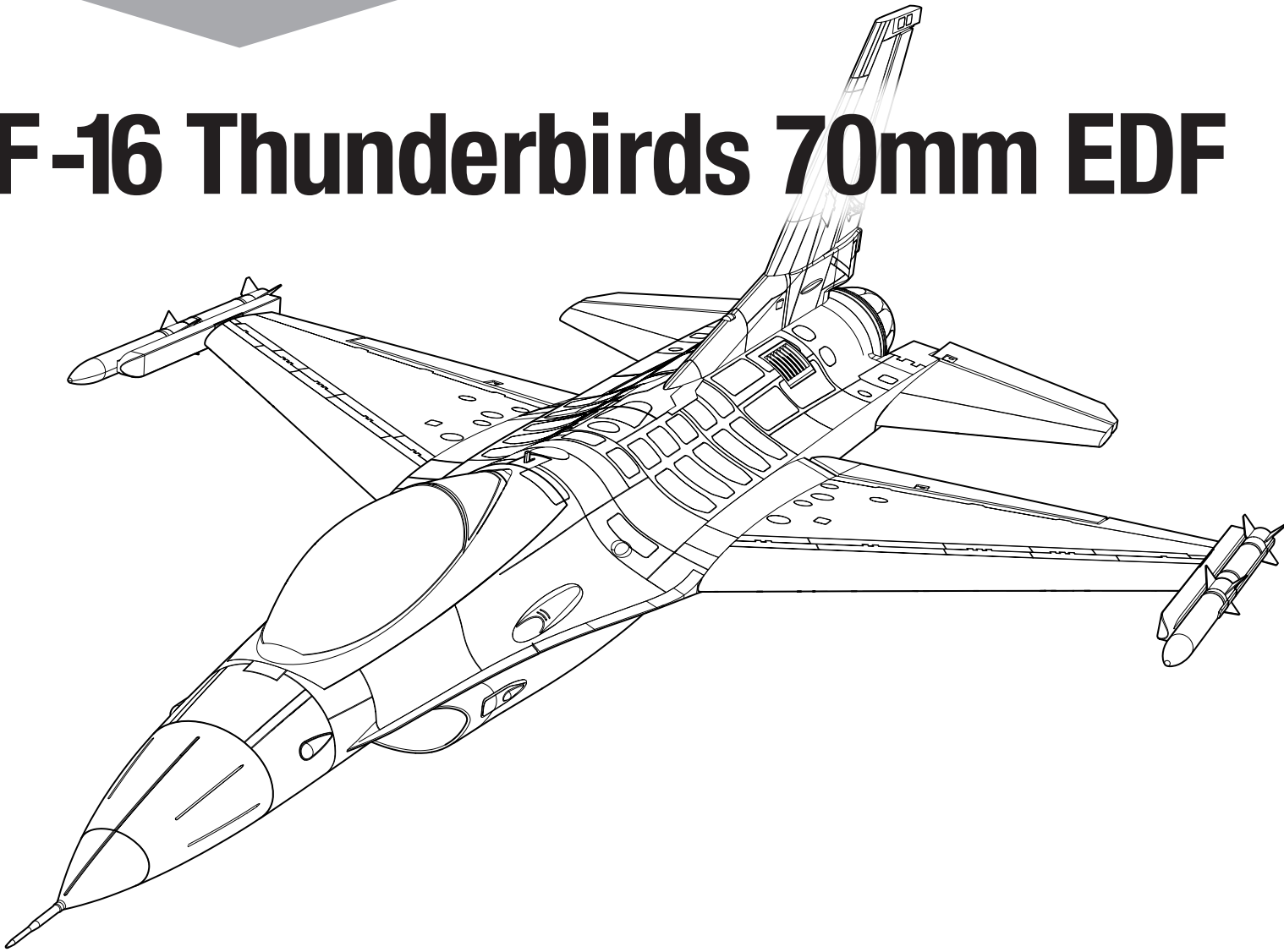


F-16 Thunderbirds 70mm EDF



Instruction Manual
Bedienungsanleitung
Manuel d'utilisation
Manuale di Istruzioni

Scan the QR code and select the Manuals and Support quick links from the product page for the most up-to-date manual information.
Scannen Sie den QR-Code und wählen Sie auf der Produktseite die Quicklinks Handbücher und Unterstützung, um die aktuellsten Informationen zu Handbücher.
Scannez le code QR et sélectionnez les liens rapides Manuals and Support sur la page du produit pour obtenir les informations les plus récentes sur le manuel.
Scannerizzare il codice QR e selezionare i Link veloci Manuali e Supporto dalla pagina del prodotto per le informazioni manuali più aggiornate.



EFL178500

NOTICE

All instructions, warranties and other collateral documents are subject to change at the sole discretion of Horizon Hobby, LLC. For up-to-date product literature, visit horizonhobby.com or towerhobbies.com and click on the support or resources tab for this product.

MEANING OF SPECIAL LANGUAGE

The following terms are used throughout the product literature to indicate various levels of potential harm when operating this product:

WARNING: Procedures, which if not properly followed, create the probability of property damage, collateral damage, and serious injury OR create a high probability of superficial injury.

CAUTION: Procedures, which if not properly followed, create the probability of physical property damage AND a possibility of serious injury.

NOTICE: Procedures, which if not properly followed, create a possibility of physical property damage AND little or no possibility of injury.



WARNING: Read the ENTIRE instruction manual to become familiar with the features of the product before operating. Failure to operate the product correctly can result in damage to the product, personal property and cause serious injury.

This is a sophisticated hobby product. It must be operated with caution and common sense and requires some basic mechanical ability. Failure to operate this Product in a safe and responsible manner could result in injury or damage to the product or other property. This product is not intended for use by children without direct adult supervision. Do not use with incompatible components or alter this product in any way outside of the instructions provided by Horizon Hobby, LLC. This manual contains instructions for safety, operation and maintenance. It is essential to read and follow all the instructions and warnings in the manual, prior to assembly, setup or use, in order to operate correctly and avoid damage or serious injury.

AGE RECOMMENDATION: Not for children under 14 years. This is not a toy.

Safety Precautions and Warnings

As the user of this product, you are solely responsible for operating in a manner that does not endanger yourself and others or result in damage to the product or the property of others.

- Always keep a safe distance in all directions around your model to avoid collisions or injury. This model is controlled by a radio signal subject to interference from many sources outside your control. Interference can cause momentary loss of control.
- Always operate your model in open spaces away from full-size vehicles, traffic and people.
- Always carefully follow the directions and warnings for this and any optional support equipment (chargers, rechargeable battery packs, etc.).
- Always keep all chemicals, small parts and anything electrical out of the reach of children.
- Always avoid water exposure to all equipment not specifically designed and protected for this purpose. Moisture causes damage to electronics.
- Never place any portion of the model in your mouth as it could cause serious injury or even death.
- Never operate your model with low transmitter batteries.
- Always keep aircraft in sight and under control.
- Always use fully charged batteries.
- Always keep transmitter powered on while aircraft is powered.
- Always remove batteries before disassembly.
- Always keep moving parts clean.
- Always keep parts dry.
- Always let parts cool after use before touching.
- Always remove batteries after use.
- Always ensure failsafe is properly set before flying.
- Never operate aircraft with damaged wiring.
- Never touch moving parts.



WARNING AGAINST COUNTERFEIT PRODUCTS: If you ever need to replace your Spektrum receiver found in a Horizon Hobby product, always purchase from Horizon Hobby, LLC or a Horizon Hobby authorized dealer to ensure authentic high-quality Spektrum product. Horizon Hobby, LLC disclaims all support and warranty with regards, but not limited to, compatibility and performance of counterfeit products or products claiming compatibility with DSM or Spektrum technology.

Registration

Register your product today to join our mailing list and keep up to date with product updates, offers and E-flite® news.



Table of Contents

Required Tools	3
SAFE® Select Technology (BNF Basic)	4
Transmitter Setup (BNF Basic).....	4
Model Assembly	5
Scale Accessories <i>Optional</i>	7
Battery Installation and ESC Arming	7
SAFE® Select Switch Designation	9
Control Horn and Servo Arm Settings	9
Center of Gravity (CG)	10
Control Direction Test.....	10
In Flight Trimming (BNF Basic)	11
Flying Tips and Repairs	11
Post Flight.....	11
PNP Receiver Selection and Installation	12
Motor Service	12
Troubleshooting Guide AS3X	13
Troubleshooting Guide	13
Replacement Parts.....	14
Important Federal Aviation Administration (FAA) Information.....	14
AMA National Model Aircraft Safety Code.....	14
Recommended Equipment.....	14
Optional Accessories.....	14
Limited Warranty	15
Contact Information	15
FCC Information.....	16
IC Information	16
Compliance Information for the European Union.....	16

Specifications

Wingspan	32" (813mm)
Length	49.53" (1258mm)
Weight	Without Battery: 73.7oz (2090g) With Recommended 6S 3200mAh Flight Battery: 5.6lbs (2570g)

Included Equipment

Receiver*	Spektrum™ AR631 6CH AS3X®/SAFE® Receiver (SPMAR631)
ESC	Avian 85-Amp Smart® Lite Brushless ESC, 3S-6S IC5 (SPMXAE85C)
Motor	Brushless In-runner Motor; 3060-KV1900 4-pole (SPMXAM3000)
Fan	70mm Ducted Fan (EFLA7012DF)
Servos	(6) 9g Digital Servo, Metal Gear (SPMSA335) (1) 9g Digital Servo Metal Gear Reverse (SPMSA335R) (right elevator)

*These components are not included with the Plug and Play (PNP) version of this product.

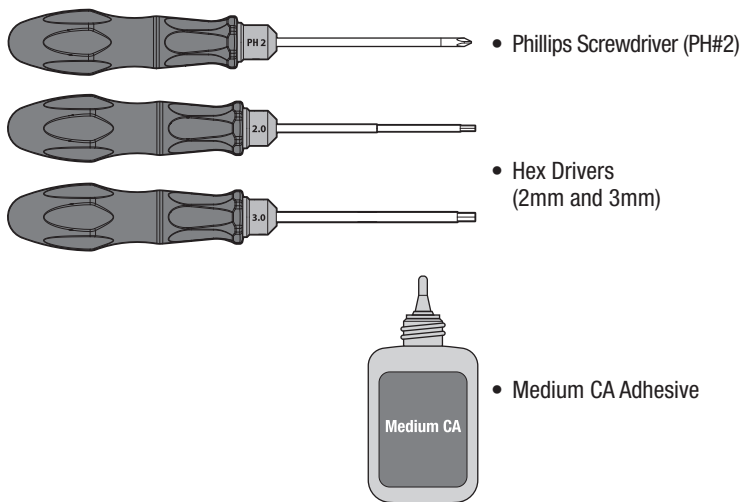
Recommended Equipment

Transmitter	NX6 6 Channel Transmitter Only (SPMR6775)
Flight Battery	3200mAh 6S 22.2V Smart 30C; IC5 (SPMX32006S30)
Battery Charger	S1100 G2 1x100W AC Smart Charger (SPMXC2080)

Optional Accessories

SPMR8200	NX8 8 Channel Transmitter Only
SPMXC2000	S2100 G2 2x100W AC Smart Charger
SPMX32006S50	3200mAh 6S 22.2V Smart 50C; IC5
SPMX40006S50	4000mAh 6S 22.2V Smart 50C; IC5
SPMX40006S30	4000mAh 6S 22.2V Smart 30C; IC5
DYN1405	LiPo Charge Protection Bag, Large
SPM6722	Spektrum Single Aircraft TX Case

Required Tools



SAFE® Select Technology (BNF Basic)

The evolutionary SAFE® Select technology can offer an extra level of protection so you can perform the first flight with confidence. No complex transmitter programming is required. Just follow the simple bind process to make the SAFE Select system active. When activated, bank and pitch limitations keep you from over-controlling and automatic self-leveling makes recovery from risky or confusing attitudes as simple as releasing the sticks. In fact, with the aileron, elevator and rudder sticks in the neutral position, SAFE Select will automatically keep the airplane in a straight and level attitude.

Expand the advantage of what SAFE Select technology offers by assigning it to a switch. No transmitter programming is required and you'll be able to turn the system ON and OFF with the flip of a switch. Turn it OFF in flight for unrestricted aerobatic performance, and turn it back ON when a buddy wants to try out your cool aircraft. Turn SAFE Select ON for landings. It will help keep the correct pitch attitude and wings level during the final approach. Whether you're a beginner or an expert, SAFE Select can make your flights a great experience.

When the normal bind process is followed, the SAFE Select system is disabled, leaving specially tuned AS3X® technology in place to deliver a pure, unrestricted flight experience.

Transmitter Setup (BNF Basic)

IMPORTANT: After you set up your model, always rebind the transmitter and receiver to set the desired failsafe positions.

Dual Rates

Take first flights in low rate. For landings, use high rate elevator.

IMPORTANT: To ensure AS3X® technology functions properly, do not lower rate values below 50%. If lower rates are desired, manually adjust the position of the pushrods on the servo arm.

If oscillation occurs at high speed, refer to the Troubleshooting Guide for more information.

Expo

After first flights, you may adjust expo in your transmitter.

Retractable landing gear

Move the channel 5 (gear) switch to raise or lower the retractable landing gear.

Telemetry Alarms

Rx V: Min Rx V	4.2V
Smart ESC: Low Voltage Alarm	3.4V
Smart Battery: Startup Volt Minimum	4.0V

NX Series Transmitter Setup

1. Power ON your transmitter, click on scroll wheel, roll to **System Setup** and click the scroll wheel. Select **YES**.
2. Go to **Model Select** and choose **Add New Model** near the bottom of the list. Select **Airplane Model Type** by choosing airplane image, select **Create**.
3. Set **Model Name**: Input a name for your model file.
4. Go to **Aircraft Type** and scroll to the wing selection, choose **Wing: Normal; Tail: Normal**
5. Select **Main Screen**, Click the scroll wheel to enter the **Function List**.
6. Go to **Servo Setup, Reverse**: Reverse the **GER** channel
7. Go to the **Rates and Expo** menu to set **D/R** and **Expo**.
8. Set **Rates and Expo: Aileron**
Set **Switch: Switch F**
Set **High Rates: 100%, Expo 10%** — **Low Rates: 70%, Expo 5%**
9. Set **Rates and Expo: Elevator**
Set **Switch: Switch C**
Set **High Rates: 100%, Expo 10%** — **Low Rates 70%, Expo 5%**
10. Set **Rates and Expo: Rudder**
Set **Switch: Switch G**
Set **High Rates: 100%, Expo 10%** — **Low Rates 70%, Expo 5%**
11. Set **Throttle Cut, Switch: Switch H, Position: -100%**

DX Series Transmitter Setup

1. Power ON your transmitter, click on scroll wheel, roll to **System Setup** and click the scroll wheel. Select **YES**.
2. Go to **Model Select** and choose **Add New Model** at the bottom of the list. The system asks if you want to create a new model, select **Create**.
3. Set **Model Type**: Select **Airplane Model Type** by choosing the airplane. The system asks you to confirm model type, data will be reset. Select **YES**.
4. Set **Model Name**: Input a name for your model file.
5. Go to **Aircraft Type** and scroll to the wing selection, choose **Wing: Normal; Tail: Normal**
6. Select **Main Screen**, Click the scroll wheel to enter the **Function List**.
7. Go to **Servo Setup, Reverse**: Reverse the **GER** channel
8. Set **D/R (Dual Rate) and Expo: Aileron**
Set **Switch: Switch F**
Set **High Rates: 100%, Expo 10%** — **Low Rates: 70%, Expo 5%**
9. Set **D/R (Dual Rate) and Expo: Elevator**
Set **Switch: Switch C**
Set **High Rates: 100%, Expo 10%** — **Low Rates 70%, Expo 5%**
10. Set **D/R (Dual Rate) and Expo: Rudder**
Set **Switch: Switch G**
Set **High Rates: 100%, Expo 10%** — **Low Rates 70%, Expo 5%**
11. Set **Throttle Cut, Switch: Switch H, Position: -100%**

iX Series Transmitter Setup

1. Power ON your transmitter and begin once the Spektrum AirWare app is open.
Select the orange pen icon in the screen's upper left corner, the system asks for permission to **Turn Off RF**, select **PROCEED**.
2. Select the three dots in the upper right corner of the screen, select **Add a New Model**.
3. Select **Model Option**, choose **DEFAULT**, select **Airplane**. The system asks if you want to create a new acro model, select **Create**.
4. Select the last model on the list, named **Acro**. Tap on the word Acro and rename the file to a name of your choice.
5. Press and hold the back arrow icon in the upper left corner of the screen to return to the main screen.
6. Go to the **Model Setup** menu. Select **Aircraft Type**. The system asks for permission to **Turn Off RF**, select **PROCEED**.
Touch the screen to select **Wing/Tail Type**. Select **Wing: Normal; Tail: Normal**.
7. Press and hold the back arrow icon in the upper left corner of the screen to return to the main screen.
8. Go to the **Model Adjust** menu.
9. Go to **Servo Setup, Reverse**: Reverse the **GER** channel
10. Set **Dual Rates and Expo**: Select **Aileron**
Set **Switch: Switch F**
Set **High Rates: 100%, Expo 10%** — **Low Rates: 70%, Expo 5%**
11. Set **Dual Rates and Expo**: Select **Elevator**
Set **Switch: Switch C**
Set **High Rates: 100%, Expo 10%** — **Low Rates 70%, Expo 5%**
12. Set **D/R (Dual Rate) and Expo: Rudder**
Set **Switch: Switch G**
Set **High Rates: 100%, Expo 10%** — **Low Rates 70%, Expo 5%**
13. Set **Throttle Cut; Switch: Switch H, Position: -100%**

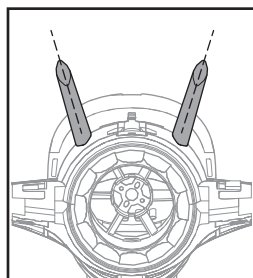
Model Assembly

Ventral Fin Installation

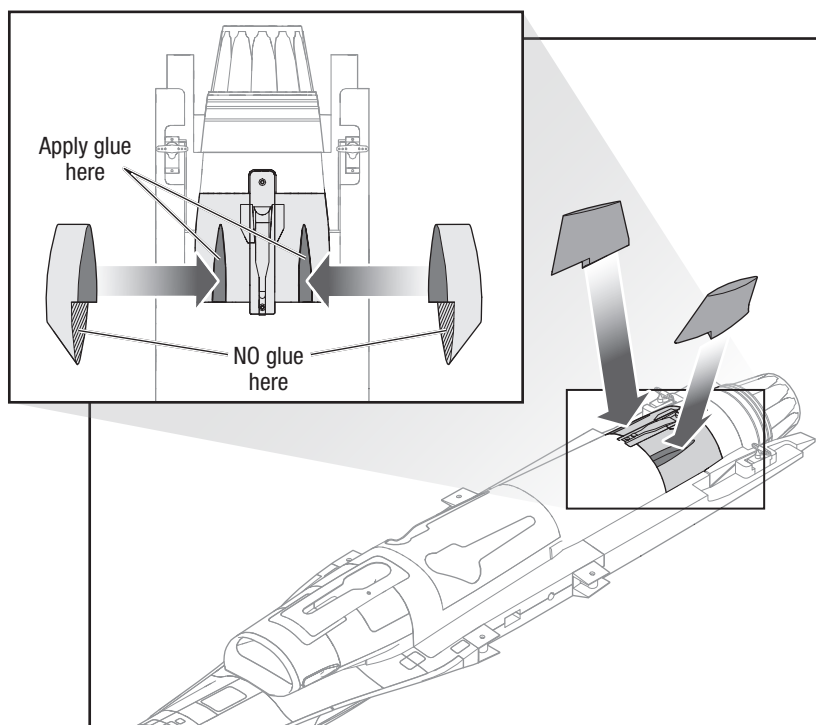
1. Wipe the mating surfaces on the ventral fins and the fan cover with a paper towel dampened with alcohol to remove any dust or loose paint before applying glue.
2. Use medium CA glue to attach the ventral fins to the fan cover. Apply a thin layer of medium CA glue only in the fin mounting cavity of the fan cover.

IMPORTANT: Do not apply glue to the front half of the ventral fin where they meet the fuselage. The ventral fins should only be glued to the fan cover. If the front half ventral fins are glued to the fuselage, the fan cover will not be removable to access the ducted fan unit.

3. Insert the ventral fins into the fan cover as shown in the diagram to the right. Verify the ventral fins are angled outward as shown below.
4. Press the ventral fins into position and wipe off any excess glue with a paper towel.
5. With the model upside down, secure the ventral fins in position until the glue cures.

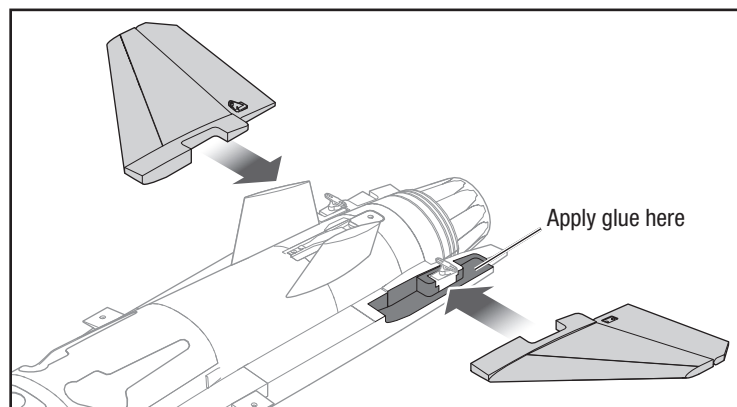


Verify the ventral fins are angled outward.



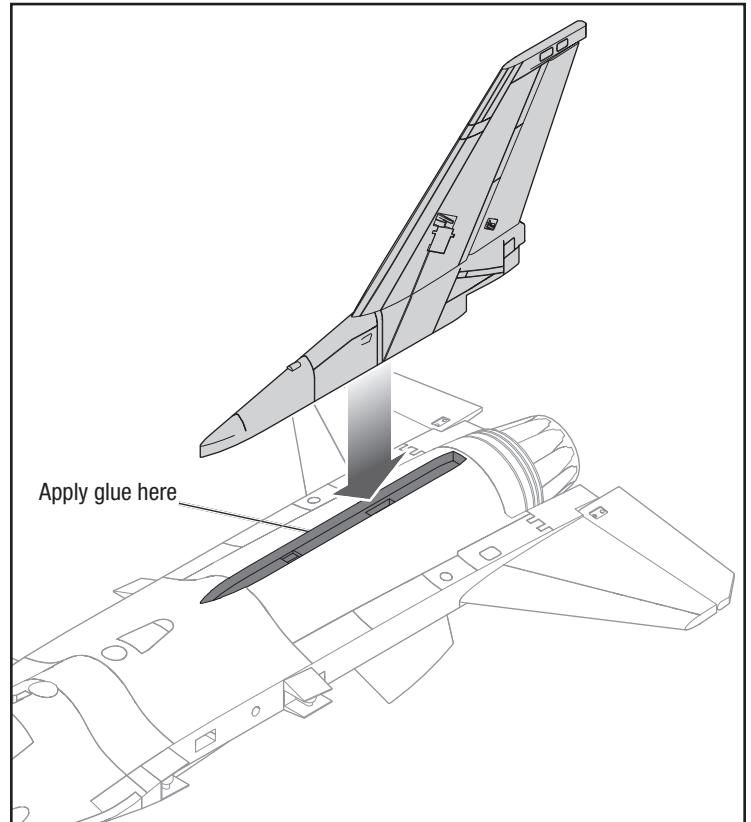
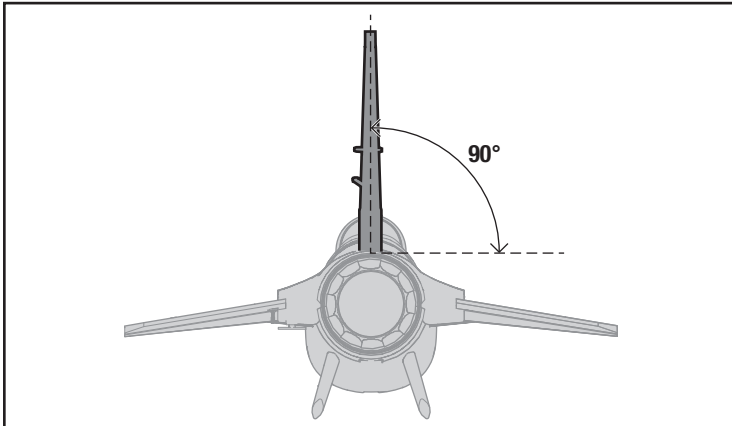
Horizontal Stabilizer Installation

1. Wipe the mating surfaces on the horizontal stabilizers and fuselage with a paper towel dampened with alcohol to remove any dust or loose paint before applying glue.
2. Using medium CA glue, apply a thin layer to the horizontal stabilizer mounting surfaces of the fuselage, shaded dark gray in the illustration.
3. Attach the horizontal stabilizers to the fuselage as shown.
4. Press the horizontal stabilizers into position and wipe off any excess glue with a paper towel.
5. With the model inverted, hold the stabilizers in position while the glue cures.



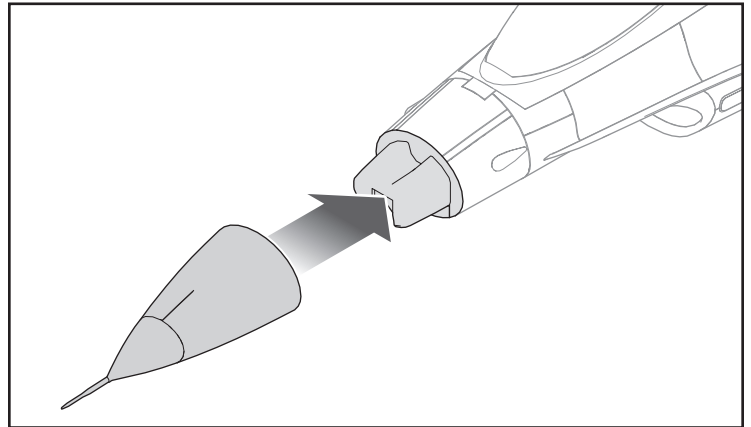
Vertical Stabilizer Installation

1. Connect the rudder servo to the servo extension tucked in the cavity. Verify the servo is operating correctly with your radio system before proceeding.
2. Wipe the mating surfaces of the vertical stabilizer and fuselage with a paper towel dampened with alcohol to remove any dust or loose paint.
3. Tuck the rudder servo lead and connector into the fuselage cavity .
4. Apply a thin layer of medium CA glue in the vertical stabilizer mounting cavity of the fuselage, as indicated by the dark shading in the illustration.
5. Attach the vertical stabilizer to the fuselage as shown.
6. Press the vertical stabilizer into position. Wipe off any excess glue with a paper towel.
7. With the model sitting upright and level, ensure the vertical stabilizer is kept accurately aligned while the glue cures.



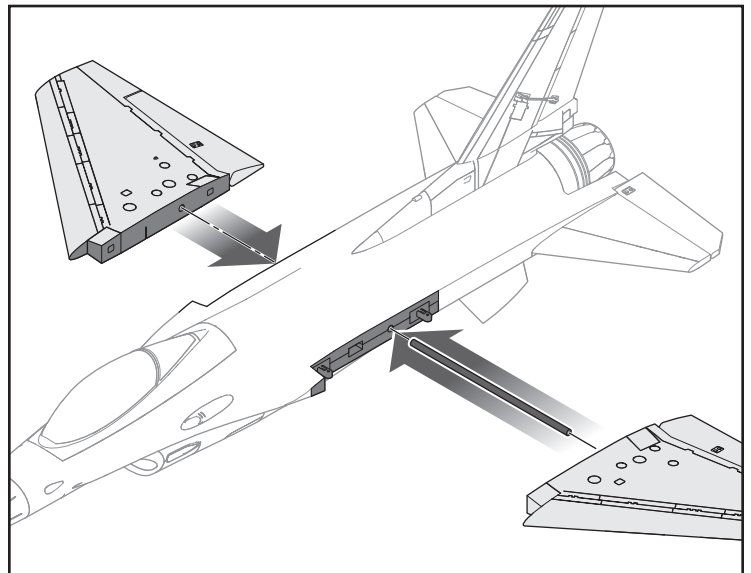
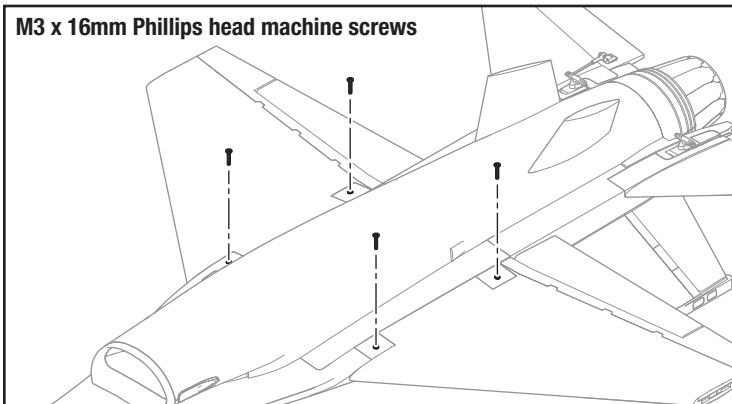
Nose Cone Installation

Slide the nose cone into place as shown. The nose cone is held in place magnetically.



Wing Installation

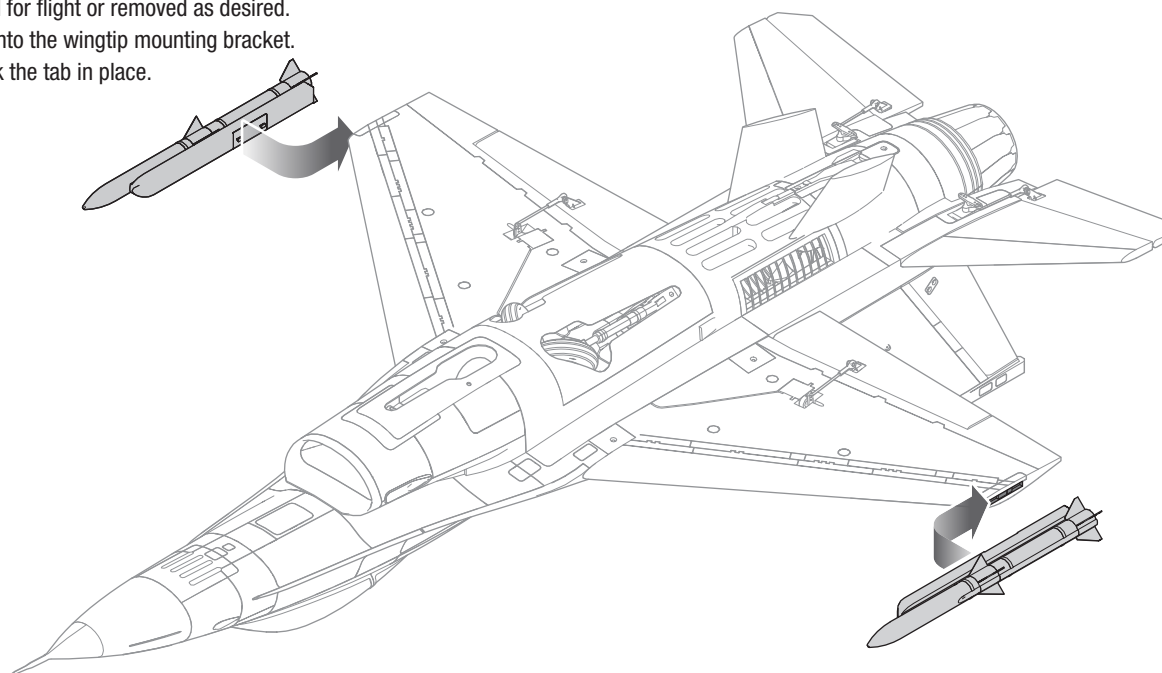
1. Slide the wing tube into the fuselage.
2. Slide the wings onto the wing tube.
3. Secure the wing halves in position from the bottom using the four included 3 x 16mm screws and a #2 Phillips screwdriver.



Scale Accessories *Optional*

The wingtip missiles may be installed for flight or removed as desired.

1. Insert the missile mounting tabs into the wingtip mounting bracket.
 2. Slide the missile backward to lock the tab in place.
- Disassemble in reverse order.

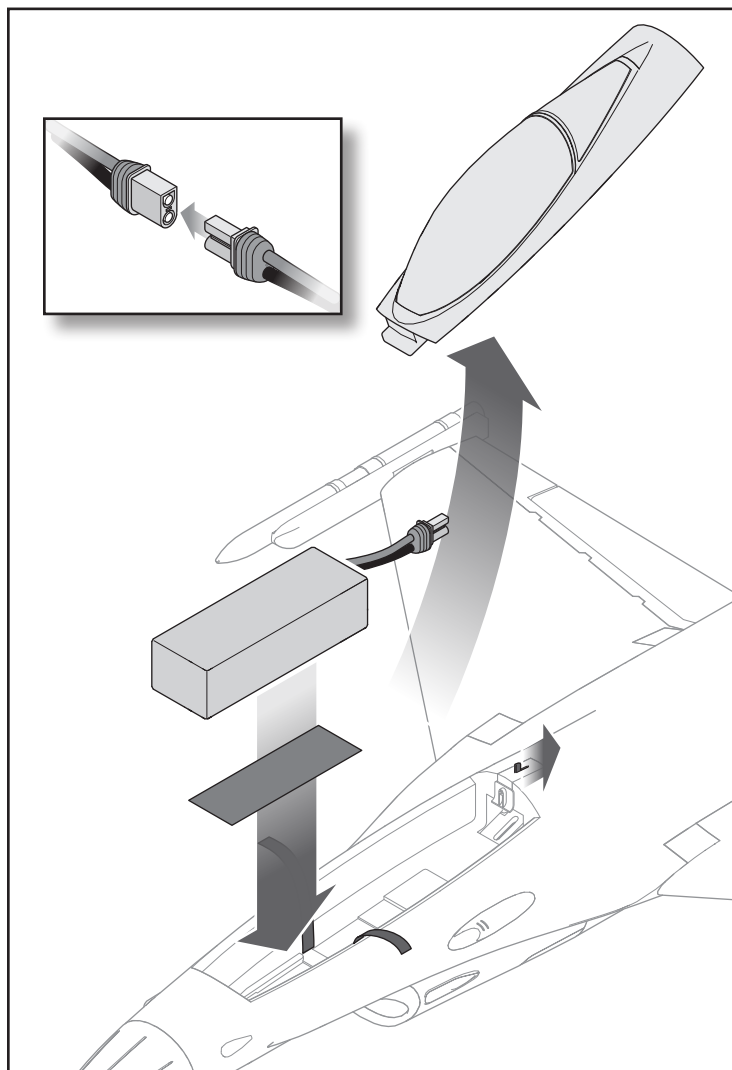


Battery Installation and ESC Arming

Battery Selection

The Spektrum™ 3200mAh 22.2V 6S 30C Li-Po battery (SPMX32006S30) is recommended. Refer to the Optional Parts List for other recommended batteries. If using a battery other than those listed, the battery should be within the range of capacity, dimensions and weight of the Spektrum Li-Po battery packs to fit in the fuselage. Be sure the model balances at the recommended center of gravity (CG) before flying.

1. Lower the throttle to the lowest setting.
2. Power on the transmitter, and wait 5 seconds.
3. Slide the hatch latch rearward and lift the hatch out of the fuselage.
4. Apply the loop side of hook and loop tape to the bottom of your battery. Apply the hook side inside the battery compartment.
5. Install the fully charged battery in the middle of the battery compartment.
6. Secure the battery using the installed hook and loop strap.
7. Connect the battery to the ESC. The ESC is now armed. Keep the aircraft immobile and away from wind upright and on flat surface, or the system will not initialize. When the model initializes the motor will produce a single tone followed immediately by three or four tones, indicating the cell count of the connected battery. The LED on the receiver illuminates.
8. Reinstall the battery hatch, ensuring the latch fully seats.



General Binding Tips and Failsafe

- The included receiver has been specifically programmed for operation of this aircraft. Refer to the receiver manual for correct setup if the receiver is replaced.
- Keep away from large metal objects while binding.
- Do not point the transmitter's antenna directly at the receiver while binding.
- The red LED on the receiver will flash rapidly when the receiver enters bind mode.
- Once bound, the receiver will retain its bind settings for that transmitter until you re-bind.
- If the receiver loses transmitter communication, the failsafe will activate. Failsafe moves the throttle channel to low throttle. Pitch and roll channels move to actively stabilize the aircraft in a descending turn.
- If problems occur, refer to the troubleshooting guide or if needed, contact the appropriate Horizon Product Support office.

Transmitter and Receiver Binding / Enable or Disable SAFE Select

The BNF Basic version of this airplane includes SAFE Select technology, enabling you to choose the level of flight protection. SAFE mode includes angle limits and automatic self leveling. AS3X mode provides the pilot with a direct response to the control sticks. SAFE Select is enabled or disabled during the bind process. With SAFE Select disabled the aircraft is always in AS3X mode. With SAFE Select enabled the aircraft will be in SAFE Select mode all the time, or you can assign a switch to toggle between SAFE Select and AS3X modes.

Thanks to SAFE Select technology, this aircraft can be configured for full-time SAFE mode, full-time AS3X mode, or mode selection can be assigned to a switch.

IMPORTANT: Before binding, read the transmitter setup section in this manual and complete the transmitter setup table to ensure your transmitter is properly programmed for this aircraft.

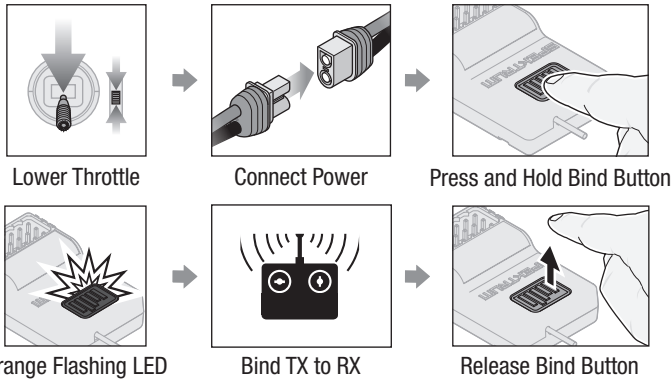
IMPORTANT: Move the transmitter flight controls (rudder, elevators, and ailerons) and the throttle trim to neutral. Move the throttle to low before and during binding. This process defines the failsafe settings.

You can use either the **bind button** on the receiver case **OR** a conventional **bind plug** to complete the binding and SAFE Select process.

SAFE can also be enabled via Forward Programming.

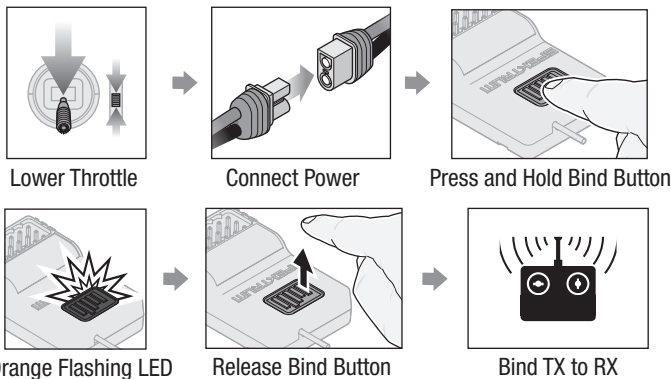
Using The Bind Button...

To Enable SAFE Select



SAFE SELECT ENABLED: The control surfaces cycle back and forth **twice** with a slight pause at neutral position every time the receiver is powered on.

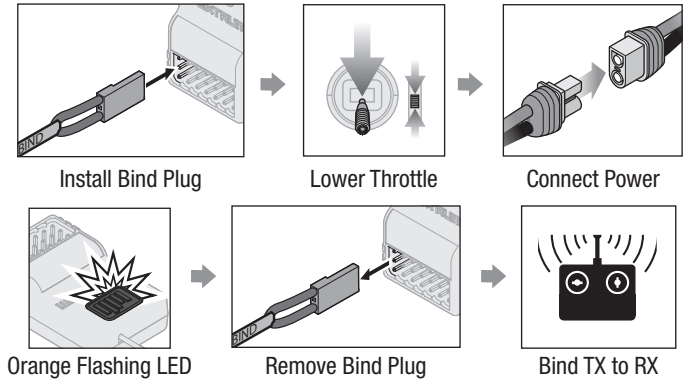
To Disable SAFE Select



SAFE SELECT DISABLED: The control surfaces cycle back and forth **once** every time the receiver is powered on.

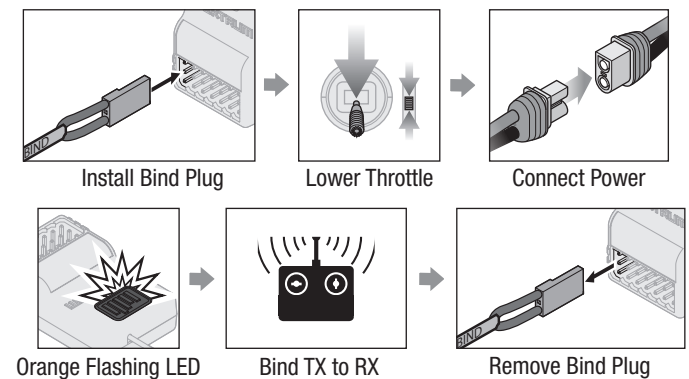
Using The Bind Plug...

To Enable SAFE Select



SAFE SELECT ENABLED: The control surfaces cycle back and forth **twice** with a slight pause at neutral position every time the receiver is powered on.

To Disable SAFE Select



SAFE SELECT DISABLED: The control surfaces cycle back and forth **once** every time the receiver is powered on.

SAFE® Select Switch Designation

SAFE® Select technology can be easily assigned to any open switch (2 or 3 position) on your transmitter. With this feature, you have the flexibility to enable or disable the technology while in flight.

IMPORTANT: Before assigning your desired switch, ensure that the travel for that channel is set at 100% in both directions and the aileron, elevator, rudder and throttle are all on high rate with the travel at 100%. Turn throttle hold OFF if it is programmed in the transmitter.

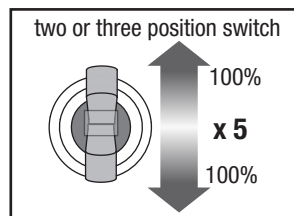
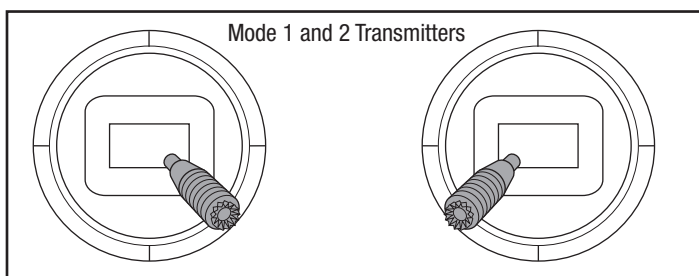
CAUTION: Keep all body parts well clear of the rotor, intakes and exhaust tube and keep the aircraft securely restrained in case of accidental throttle activation.

Assigning a switch

1. Bind the aircraft correctly to activate SAFE Select. This will allow the system to be assigned to a switch.
2. Hold both transmitter sticks to the inside bottom corners and toggle the desired switch 5 times (1 toggle = full up and down) to assign that switch. The control surfaces of the aircraft will move, indicating the switch has been selected.

Repeat the process to assign a different switch or to deactivate the current switch if desired.

TIP: SAFE Select is assignable on any unused Channels 5–9.



Control Horn and Servo Arm Settings

The table to the right shows the factory settings for the control horns and servo arms. Fly the aircraft at factory settings before making changes.

NOTICE: If control throws are changed from the factory settings, the AR631 gain values may need to be adjusted. Refer to the Spektrum AR631 manual for adjustment of gain values.

Linkage Installation

The elevator linkages need to be installed after the tail is glued on.

1. Insert the Z bend end of the linkage into the appropriate hole in the servo horn as shown in the table to the right
2. Connect the ball link to the control horn as shown in the table to the right.

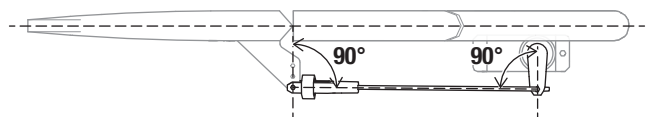
Disassemble in reverse order.

Factory Setting	Horns	Arms
Elevator		
Rudder		
Aileron		

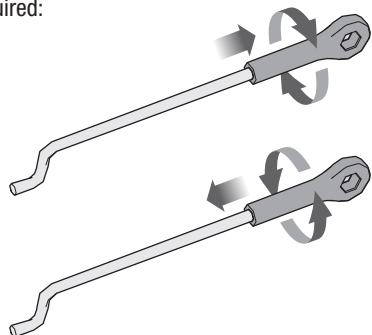
Control Surface Centering

During assembly the control surfaces need to be mechanically centered when the servos are at neutral.

Assemble the model, set up the transmitter, bind the transmitter to the aircraft receiver, and set the trims and sub-trims to 0. With the model powered on, make final adjustments as needed so all the flight control surfaces are centered.



If adjustment is required:



- Turn the linkage clockwise or counterclockwise to achieve the correct length so the control surface is centered.
- Attach the linkage to the control horn after adjustment.

After flying, you may choose to adjust the linkage positions for the desired control response. See the table below.

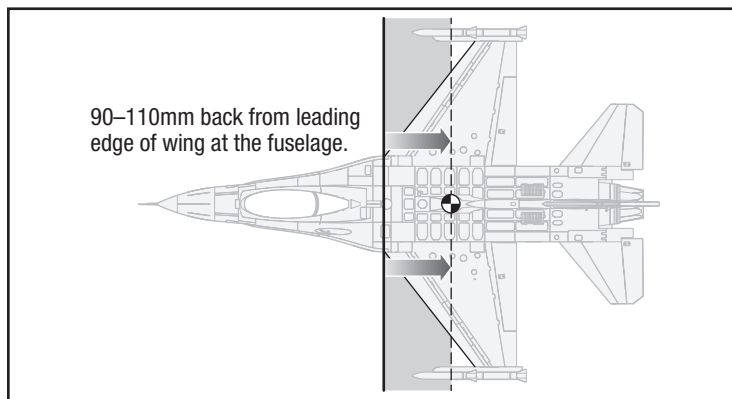
NOTICE: If control throws are changed from the factory settings, the AR631 gain values may need to be adjusted. Refer to the Spektrum AR631 manual for adjustment of gain values.

Tuning	Horns	Arms
More control throw		
Less control throw		

Center of Gravity (CG)

NOTICE: Install the battery in the aircraft, but do not arm the ESC while checking the CG. Personal injury may result.

This CG location has been determined with the recommended Li-Po battery (SPMX32006S30) installed. The CG location is between 90-110mm, measured back from the leading edge of the wing at the fuselage, with the landing gear down. Adjust the CG location by moving the battery pack forward or backward in the battery compartment.



Control Direction Test

Switch on the transmitter and connect the battery. Use the transmitter to operate the aileron, elevator, rudder and flap controls. View the aircraft from the rear when checking the control directions.

Elevator

1. Pull the elevator stick back. The elevators should move up, which will cause the aircraft to pitch up.
2. Push the elevator stick forward. The elevators should move down, which will cause the aircraft to pitch down.

Ailerons

1. Move the aileron stick to the left. The left aileron should move up and the right aileron down, which will cause the aircraft to bank left.
2. Move the aileron stick to the right. The right aileron should move up and the left aileron down, which will cause the aircraft to bank right.

Rudder

1. Move the rudder stick to the left. The rudder should move to the left, which will cause the aircraft to yaw left.
2. Move the rudder stick to the right. The rudder should move to the right, which will cause the aircraft to yaw right.

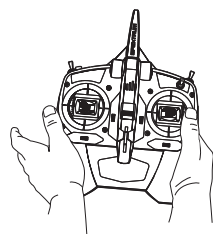
	Transmitter command	Control Surface Response
Elevator		
Ailerons		
Rudder		

In Flight Trimming (BNF Basic)

During your first flight, trim the aircraft for level flight at 3/4 throttle. Make small trim adjustments with your transmitter's trim switches to straighten the aircraft's flight path.

After adjusting the trim, do not touch the control sticks for 3 seconds. This allows the receiver to learn the correct settings to optimize AS3X performance.

Failure to do so could affect flight performance.



3 Seconds

Flying Tips and Repairs

Consult local laws and ordinances before choosing a flying location.

Range Check your Radio System

Before you fly, range check the radio system. Refer to your specific transmitter instruction manual for range test information.

Oscillation

Once the AS3X system is active (after advancing the throttle for the first time), you will normally see the control surfaces react to aircraft movement. In some flight conditions you may see oscillation (the aircraft rocks back and forth on one axis due to overcontrol). If oscillation occurs, refer to the Troubleshooting Guide for more information.

Takeoff

Place the aircraft facing into the wind. Set your transmitter in low rate. Gradually increase the throttle to 3/4 and steer with the rudder. As the plane reaches flying speed, pull back gently on the elevator. When airborne, climb to a comfortable altitude before retracting the landing gear.

Flying

For your first flights with the recommended battery pack (SPMX32006S30), set your transmitter timer or a stopwatch to three minutes. When the timer expires, land the aircraft. Adjust your timer for longer or shorter flights once you have flown the model. If at any time the motor power reduces, land the aircraft immediately to recharge the flight battery. See the Low Voltage Cutoff (LVC) section for more details on maximizing battery health and run time.

Landing

Land the aircraft into the wind. Use a small amount of throttle for the entire descent. Lower the throttle to 1/4 and lower the landing gear. Lowering the landing gear will help slow the aircraft for landing.

Keep the throttle on until the aircraft is ready to flare. During flare, keep the wings level and the aircraft pointed into the wind. Gently lower the throttle while pulling back on the elevator to bring the aircraft down on its wheels.

If landing on grass, it is best to hold full up elevator after touchdown and when taxiing to prevent the nose from digging in.

Once on the ground, avoid sharp turns until the plane has slowed sufficiently to prevent tipping and scraping of the wingtips.

NOTICE: If a crash is imminent, reduce the throttle and trim fully. Failure to do so could result in extra damage to the airframe, as well as damage to the ESC and motor.

NOTICE: After any impact, always ensure the receiver is secure in the fuselage. If you replace the receiver, install the new receiver in the same orientation as the original receiver or damage may result.

NOTICE: Crash damage is not covered under warranty.

NOTICE: When you are finished flying, never leave the aircraft in direct sunlight or in a hot, enclosed area such as a car. Doing so can damage the aircraft.

Low Voltage Cutoff (LVC)

When a Li-Po battery is discharged below 3V per cell, it will not hold a charge. The ESC protects the flight battery from over-discharge using Low Voltage Cutoff (LVC). Before the battery charge decreases too much, LVC removes power supplied to the motor. Power to the motor reduces, showing that some battery power is reserved for flight control and safe landing.

Disconnect and remove the Li-Po battery from the aircraft after use to prevent trickle discharge. Charge your Li-Po battery to about half capacity before storage. During storage, make sure the battery charge does not fall below 3V per cell. LVC does not prevent the battery from over-discharge during storage.

NOTICE: Repeated flying to LVC will damage the battery.

TIP: Monitor your aircraft battery's voltage before and after flying by using a Smart LiPo Battery Checker and Servo Driver (SPMXBC100, sold separately).

Repairs

Thanks to the EPO foam material in this aircraft, repairs to the foam can be made using virtually any adhesive (hot glue, regular CA, epoxy, etc). When parts are not repairable, see the Replacement Parts List for ordering by item number. For a listing of all replacement and optional parts, refer to the list at the end of this manual.

NOTICE: Use of CA accelerant on your aircraft can damage the paint. DO NOT handle the aircraft until accelerant fully dries.

Post Flight

1. Disconnect the flight battery from the ESC.
2. Power OFF the transmitter.
3. Remove the flight battery from the aircraft.
4. Recharge the flight battery.

5. Repair or replace all damaged parts.
6. Store the flight battery apart from the aircraft and monitor the battery charge.
7. Make note of the flight conditions and flight plan results, planning for future flights.

PNP Receiver Selection and Installation

The Spektrum AR631 receiver is recommended for this airplane. If you choose to install another receiver, ensure that it is at least a 6-channel full range receiver. Refer to your receiver manual for correct installation and operation instructions.

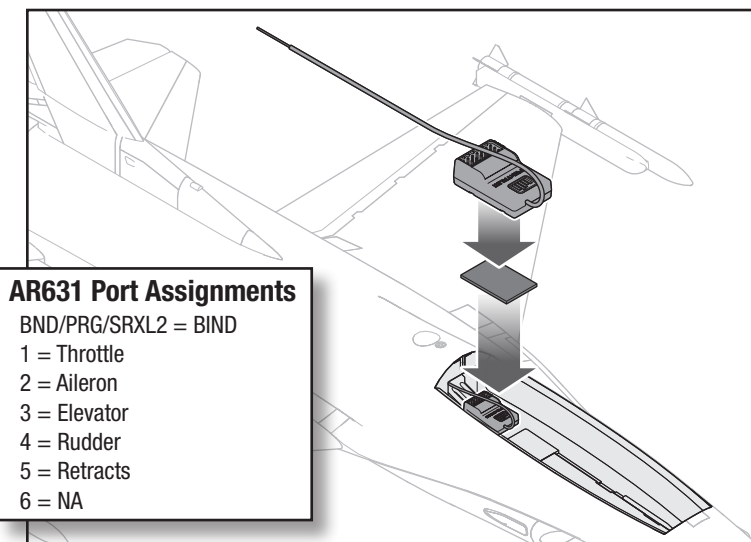
CAUTION: Incorrect installation of the receiver could cause a crash.

Installation (AR631 shown)

1. Remove the canopy from the fuselage.
2. Mount the receiver parallel to the length of the fuselage, as shown, using double-sided servo tape.

IMPORTANT: Route the antenna straight back through the fuselage tunnel.

3. Attach the appropriate control surfaces to their respective ports on the receiver using the table at the right.



Motor Service

CAUTION: Always disconnect the flight battery before performing motor service.

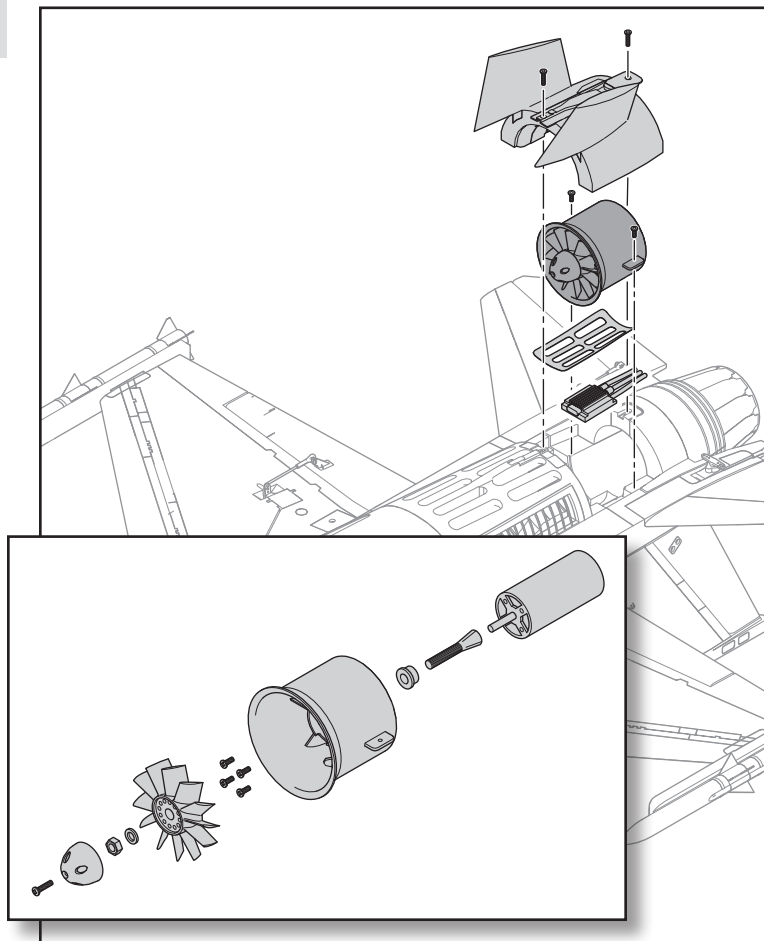
Disassembly

1. Remove the two 3mm x 10mm counter-sunk machine screws holding the fan cover in place. Remove the fan cover.
2. Remove the two 3mm x 12mm counter-sunk self tapping screws holding the ducted fan housing in place.
3. Remove the 3mm x 20mm machine screw holding the spinner on the motor shaft. Remove the spinner.
4. Gently grasp the impeller and remove the hex head nut holding the fan on the motor shaft. Remove the fan.
5. Remove the fan adaptor from the motor shaft.
6. Remove the four 3mm x 6mm machine screws and the motor from the fan housing.
7. Disconnect the motor wires from the ESC wires.

Assemble in reverse order.

When re-assembling the motor and fan assembly:

- Correctly match the motor wire colors with the ESC wires.
- Ensure the fan is installed with the front facing the nose of the aircraft.
- A tool is required to tighten the nut on the rotor and collet.
- Ensure no wiring is pinched by any of the power components.
- Ensure the ESC cover is securely glued to the fuselage.
- Ensure the spinner is fully connected for safe operation.



Troubleshooting Guide AS3X

Problem	Possible Cause	Solution
Oscillation	Damaged impeller, fan adaptor or fan housing	Replace damaged parts
	Imbalanced impeller	Balance the propeller
	Motor vibration	Replace parts or correctly align all parts and tighten fasteners as needed
	Loose receiver	Align and secure receiver in fuselage
	Loose aircraft controls	Tighten or otherwise secure parts (servo, arm, linkage, horn and control surface)
	Worn parts	Replace worn parts (especially propeller, spinner or servo)
	Irregular servo movement	Replace servo
Inconsistent flight performance	Trim is not at neutral	If you adjust trim more than 8 clicks, adjust the clevis to remove trim
	Sub-Trim is not at neutral	No Sub-Trim is allowed. Adjust the servo linkage
	Aircraft was not kept immobile for 5 seconds after battery connection	With the throttle stick in lowest position. Disconnect battery, then reconnect battery and keep the aircraft still for 5 seconds
Incorrect response to the AS3X Control Direction Test	Incorrect direction settings in the receiver, which can cause a crash	DO NOT fly. Correct the direction settings (refer to the receiver manual), then fly

Troubleshooting Guide

Problem	Possible Cause	Solution
Aircraft will not respond to throttle but responds to other controls	Throttle not at idle and/or throttle trim too high	Reset controls with throttle stick and throttle trim at lowest setting
	Throttle servo travel is lower than 100%	Make sure throttle servo travel is 100% or greater
	Throttle channel is reversed	Reverse throttle channel on transmitter
	Motor disconnected from ESC	Make sure motor is connected to the ESC
Extra propeller noise or extra vibration	Damaged impeller and spinner, collet or motor	Replace damaged parts
	Impeller is out of balance	Balance or replace impeller
	Fan nut is too loose	Tighten the prop nut
Reduced flight time or aircraft underpowered	Flight battery charge is low	Completely recharge flight battery
	Flight battery damaged	Replace flight battery and follow flight battery instructions
	Flight conditions may be too cold	Make sure battery is warm before use
	Battery capacity too low for flight conditions	Replace battery or use a larger capacity battery
Aircraft will not Bind (during binding) to transmitter	Transmitter too near aircraft during binding process	Move powered transmitter a few feet from aircraft, disconnect and reconnect flight battery to aircraft
	Aircraft or transmitter is too close to large metal object, wireless source or another transmitter	Move aircraft and transmitter to another location and attempt binding again
	The bind plug is not installed correctly in the bind port	Install bind plug in bind port and bind the aircraft to the transmitter
	Flight battery/transmitter battery charge is too low	Replace/recharge batteries
	Bind switch or button not held long enough during bind process	Power off transmitter and repeat bind process. Hold transmitter bind button or switch until receiver is bound
Aircraft will not connect (after binding) to transmitter	Transmitter too near aircraft during connecting process	Move powered transmitter a few feet from aircraft, disconnect and reconnect flight battery to aircraft
	Aircraft or transmitter is too close to large metal object, wireless source or another transmitter	Move aircraft and transmitter to another location and attempt connecting again
	Bind plug left installed in bind port	Rebind transmitter to the aircraft and remove the bind plug before cycling power
	Aircraft bound to different model memory (ModelMatch™ radios only)	Select correct model memory on transmitter
	Flight battery/Transmitter battery charge is too low	Replace/recharge batteries
	Transmitter may have been bound to a different aircraft using different DSM protocol	Bind aircraft to transmitter
Control surface does not move	Control surface, control horn, linkage or servo damage	Replace or repair damaged parts and adjust controls
	Wire damaged or connections loose	Do a check of wires and connections, connect or replace as needed
	Transmitter is not bound correctly or the incorrect airplanes was selected	Re-bind or select correct airplanes in transmitter
	Flight battery charge is low	Fully recharge flight battery
	BEC (Battery Elimination Circuit) of the ESC is damaged	Replace ESC
Controls reversed	Transmitter settings are reversed	Perform the Control Direction Test and adjust the controls on transmitter appropriately
Motor power pulses then motor loses power	ESC uses default soft Low Voltage Cutoff (LVC)	Recharge flight battery or replace battery that is no longer performing
	Weather conditions might be too cold	Postpone flight until weather is warmer
	Battery is old, worn out, or damaged	Replace battery
	Battery C rating might be too small	Use recommended battery

Replacement Parts

Part #	Description
EFL7801	Fuselage: F-16 Thunderbird 70mm EDF
EFL7802	Wing Set: F-16 Thunderbird 70mm EDF
EFL7803	Vertical Stabilizer: F-16 Thunderbird 70mm EDF
EFL7804	Horizontal Stabilizers: F-16 Thunderbird 70mm EDF
EFL7805	Wing Tip Missile-1: F-16 Thunderbird 70mm EDF
EFL7807	Cockpit/Hatch: F-16 Thunderbird 70mm EDF
EFL7808	Nose Cone: F-16 Thunderbird 70mm EDF
EFL7809	Ventral Fin Set: F-16 Thunderbird 70mm EDF
EFL7811	Nose Landing Gear Set: F-16 Thunderbird 70mm EDF
EFL7812	Main Landing Gear Set: F-16 Thunderbird 70mm EDF
EFL7814	Nose Gear System: F-16 Thunderbird 70mm EDF
EFL7815	Main Gear System: F-16 Thunderbird 70mm EDF
EFL7816	Landing Gear Covers: F-16 Thunderbird 70mm EDF
EFL7817	Linkage Rod Set: F-16 Thunderbird 70mm EDF
EFL7818	Wing Tube: F-16 Thunderbird 70mm EDF
EFL7819	Screw Set: F-16 Thunderbird 70mm EDF
EFL7820	Wheel Set: F-16 Thunderbird 70mm EDF
EFL7821	Decal Set: F-16 Thunderbird 70mm EDF
EFL7822	Retract Strut Pins: F-16 70mm EDF
SPMXAE85C	Avian 85-Amp Smart Lite Brushless ESC, 3S-6S IC5
EFLA7012DF	70mm Ducted Fan
EFLG325	Nose Gear E-Retract: F-16 70mm EDF
EFLG326	Main Gear E-Retract: F-16 70mm EDF

Part #	Description
SPMXAM3000	Brushless Inrunner Motor; 3060-KV1900 4-pole
SPMSA335	A335 9g Digital Servo Metal Gear
SPMSA335R	A335R 9g Digital Servo Metal Gear Reverse
SPMAR631	AR631 6 Channel AS3X & SAFE Receiver

Recommended Equipment

Part #	Description
SPMX32006S30	3200mAh 6S 22.2V Smart 30C; IC5
SPMXCA507	Adapter: IC3 Battery/IC5 Device
SPMR6775	NX6 6 Channel Transmitter Only
SPMXC2080	S1100 G2 1x100W AC Smart Charger

Optional Accessories

Part #	Description
SPMR8200	NX8 8 Channel Transmitter Only
SPMXC2000	S2100 G2 2x100W AC Smart Charger
SPMX32006S50	3200mAh 6S 22.2V Smart 50C; IC5
SPMX40006S50	4000mAh 6S 22.2V Smart 50C; IC5
SPMX40006S30	4000mAh 6S 22.2V Smart 30C; IC5
DYN1405	LiPo Charge Protection Bag, Large
SPM6722	Spektrum Single Aircraft TX Case

Important Federal Aviation Administration (FAA) Information

Use the QR code below to learn more about the Recreational UAS Safety Test (TRUST), as was introduced by the 2018 FAA Reauthorization Bill. This free test is required by the FAA for all recreational flyers in the United States. The completed certificate must be presented upon request by any FAA or law enforcement official.



Recreational UAS Safety Test

If your model aircraft weighs more than .55lbs or 250 grams, you are required by the FAA to register as a recreational flyer and apply your registration number to the outside of your aircraft. To learn more about registering with the FAA, use the QR code below.



FAA DroneZone

AMA National Model Aircraft Safety Code

Effective January 1, 2018

A model aircraft is a non-human-carrying device capable of sustained flight within visual line of sight of the pilot or spotter(s). It may not exceed limitations of this code and is intended exclusively for sport, recreation, education and/or competition. All model flights must be conducted in accordance with this safety code and related AMA guidelines, any additional rules specific to the flying site, as well as all applicable laws and regulations.

As an AMA member I agree:

- I will not fly a model aircraft in a careless or reckless manner.
- I will not interfere with and will yield the right of way to all human-carrying aircraft using AMA's See and Avoid Guidance and a spotter when appropriate.
- I will not operate any model aircraft while I am under the influence of alcohol or any drug that could adversely affect my ability to safely control the model.
- I will avoid flying directly over unprotected people, moving vehicles, and occupied structures.
- I will fly Free Flight (FF) and Control Line (CL) models in compliance with AMA's safety programming.
- I will maintain visual contact of an RC model aircraft without enhancement other than corrective lenses prescribed to me. When using an advanced flight system, such as an autopilot, or flying First-Person View (FPV), I will comply with AMA's Advanced Flight System programming.
- I will only fly models weighing more than 55 pounds, including fuel, if certified through AMA's Large Model Airplane Program.
- I will only fly a turbine-powered model aircraft in compliance with AMA's Gas Turbine Program.
- I will not fly a powered model outdoors closer than 25 feet to any individual, except for myself or my helper(s) located at the flightline, unless I am taking off and landing, or as otherwise provided in AMA's Competition Regulation.
- I will use an established safety line to separate all model aircraft operations from spectators and bystanders.

Limited Warranty

What this Warranty Covers

Horizon Hobby, LLC, (Horizon) warrants to the original purchaser that the product purchased (the "Product") will be free from defects in materials and workmanship at the date of purchase.

What is Not Covered

This warranty is not transferable and does not cover (i) cosmetic damage, (ii) damage due to acts of God, accident, misuse, abuse, negligence, commercial use, or due to improper use, installation, operation or maintenance, (iii) modification of or to any part of the Product, (iv) attempted service by anyone other than a Horizon Hobby authorized service center, (v) Product not purchased from an authorized Horizon dealer, or (vi) Product not compliant with applicable technical regulations, or (vii) use that violates any applicable laws, rules, or regulations.

OTHER THAN THE EXPRESS WARRANTY ABOVE, HORIZON MAKES NO OTHER WARRANTY OR REPRESENTATION, AND HEREBY DISCLAIMS ANY AND ALL IMPLIED WARRANTIES, INCLUDING, WITHOUT LIMITATION, THE IMPLIED WARRANTIES OF NON-INFRINGEMENT, MERCHANTABILITY AND FITNESS FOR A PARTICULAR PURPOSE. THE PURCHASER ACKNOWLEDGES THAT THEY ALONE HAVE DETERMINED THAT THE PRODUCT WILL SUITABLY MEET THE REQUIREMENTS OF THE PURCHASER'S INTENDED USE.

Purchaser's Remedy

Horizon's sole obligation and purchaser's sole and exclusive remedy shall be that Horizon will, at its option, either (i) service, or (ii) replace, any Product determined by Horizon to be defective. Horizon reserves the right to inspect any and all Product(s) involved in a warranty claim. Service or replacement decisions are at the sole discretion of Horizon. Proof of purchase is required for all warranty claims. SERVICE OR REPLACEMENT AS PROVIDED UNDER THIS WARRANTY IS THE PURCHASER'S SOLE AND EXCLUSIVE REMEDY.

Limitation of Liability

HORIZON SHALL NOT BE LIABLE FOR SPECIAL, INDIRECT, INCIDENTAL OR CONSEQUENTIAL DAMAGES, LOSS OF PROFITS OR PRODUCTION OR COMMERCIAL LOSS IN ANY WAY, REGARDLESS OF WHETHER SUCH CLAIM IS BASED IN CONTRACT, WARRANTY, TORT, NEGLIGENCE, STRICT LIABILITY OR ANY OTHER THEORY OF LIABILITY, EVEN IF HORIZON HAS BEEN ADVISED OF THE POSSIBILITY OF SUCH DAMAGES. Further, in no event shall the liability of Horizon exceed the individual price of the Product on which liability is asserted. As Horizon has no control over use, setup, final assembly, modification or misuse, no liability shall be assumed nor accepted for any resulting damage or injury. By the act of use, setup or assembly, the user accepts all resulting liability. If you as the purchaser or user are not prepared to accept the liability associated with the use of the Product, purchaser is advised to return the Product immediately in new and unused condition to the place of purchase.

Law

These terms are governed by Illinois law (without regard to conflict of law principals). This warranty gives you specific legal rights, and you may also have other rights which vary from state to state. Horizon reserves the right to change or modify this warranty at any time without notice.

WARRANTY SERVICES

Questions, Assistance, and Services

Your local hobby store and/or place of purchase cannot provide warranty support or service. Once assembly, setup or use of the Product has been started, you must contact your local distributor or Horizon directly. This will enable Horizon

to better answer your questions and service you in the event that you may need any assistance. For questions or assistance, please visit our website at www.horizonhobby.com, submit a Product Support Inquiry, or call the toll free telephone number referenced in the Warranty and Service Contact Information section to speak with a Product Support representative.

Inspection or Services

If this Product needs to be inspected or serviced and is compliant in the country you live and use the Product in, please use the Horizon Online Service Request submission process found on our website or call Horizon to obtain a Return Merchandise Authorization (RMA) number. Pack the Product securely using a shipping carton. Please note that original boxes may be included, but are not designed to withstand the rigors of shipping without additional protection. Ship via a carrier that provides tracking and insurance for lost or damaged parcels, as Horizon is not responsible for merchandise until it arrives and is accepted at our facility. An Online Service Request is available at http://www.horizonhobby.com/content/service-center_render-service-center. If you do not have internet access, please contact Horizon Product Support to obtain a RMA number along with instructions for submitting your product for service. When calling Horizon, you will be asked to provide your complete name, street address, email address and phone number where you can be reached during business hours. When sending product into Horizon, please include your RMA number, a list of the included items, and a brief summary of the problem. A copy of your original sales receipt must be included for warranty consideration. Be sure your name, address, and RMA number are clearly written on the outside of the shipping carton.

NOTICE: Do not ship LiPo batteries to Horizon. If you have any issue with a LiPo battery, please contact the appropriate Horizon Product Support office.

Warranty Requirements

For Warranty consideration, you must include your original sales receipt verifying the proof-of-purchase date. Provided warranty conditions have been met, your Product will be serviced or replaced free of charge. Service or replacement decisions are at the sole discretion of Horizon.

Non-Warranty Service

Should your service not be covered by warranty, service will be completed and payment will be required without notification or estimate of the expense unless the expense exceeds 50% of the retail purchase cost. By submitting the item for service you are agreeing to payment of the service without notification. Service estimates are available upon request. You must include this request with your item submitted for service. Non-warranty service estimates will be billed a minimum of ½ hour of labor. In addition you will be billed for return freight. Horizon accepts money orders and cashier's checks, as well as Visa, MasterCard, American Express, and Discover cards. By submitting any item to Horizon for service, you are agreeing to Horizon's Terms and Conditions found on our website http://www.horizonhobby.com/content/service-center_render-service-center.

ATTENTION: Horizon service is limited to Product compliant in the country of use and ownership. If received, a non-compliant Product will not be serviced. Further, the sender will be responsible for arranging return shipment of the un-serviced Product, through a carrier of the sender's choice and at the sender's expense. Horizon will hold non-compliant Product for a period of 60 days from notification, after which it will be discarded.

10/15

Contact Information

Country of Purchase	Horizon Hobby	Contact Information	Address
United States of America	Horizon Service Center (Repairs and Repair Requests)	servicecenter.horizonhobby.com/RequestForm/	2904 Research Road Champaign, Illinois, 61822 USA
	Horizon Product Support (Product Technical Assistance)	productsupport@horizonhobby.com 877-504-0233	
	Sales	websales@horizonhobby.com 800-338-4639	
European Union	Horizon Technischer Service	service@horizonhobby.eu	Hanskampring 9 D 22885 Barsbüttel, Germany
	Sales: Horizon Hobby GmbH	+49 (0) 4121 2655 100	

FCC Information

FCC ID: BRWSPMSR6200A

This equipment complies with FCC and IC radiation exposure limits set forth for an uncontrolled environment. This equipment should be installed and operated with minimum distance 20cm between the radiator and/or antenna and your body (excluding fingers, hands, wrists, ankles and feet). This transmitter must not be co-located or operating in conjunction with any other antenna or transmitter.

Supplier's Declaration of Conformity

FC F-16 Thunderbirds 70mm EDF BNF Basic (EFL178500):

This device complies with part 15 of the FCC Rules. Operation is subject to the following two conditions: (1) This device may not cause harmful interference, and (2) this device must accept any interference received, including interference that may cause undesired operation.



CAUTION: Changes or modifications not expressly approved by the party responsible for compliance could void the user's authority to operate the equipment.

NOTE: This equipment has been tested and found to comply with the limits for a Class B digital device, pursuant to part 15 of the FCC Rules. These limits are designed to provide reasonable protection against harmful interference in a

residential installation. This equipment generates, uses and can radiate radio frequency energy and, if not installed and used in accordance with the instructions, may cause harmful interference to radio communications. However, there is no guarantee that interference will not occur in a particular installation. If this equipment does cause harmful interference to radio or television reception, which can be determined by turning the equipment off and on, the user is encouraged to try to correct the interference by one or more of the following measures:

- Reorient or relocate the receiving antenna.
- Increase the separation between the equipment and receiver.
- Connect the equipment into an outlet on a circuit different from that to which the receiver is connected.
- Consult the dealer or an experienced radio/TV technician for help.

Horizon Hobby, LLC
2904 Research Rd.,
Champaign, IL 61822
Email: compliance@horizonhobby.com
Web: HorizonHobby.com

IC Information

CAN ICES-3 (B)/NMB-3(B)

IC: 6157A-SPMSR6200A

This device contains license-exempt transmitter(s)/receivers(s) that comply with Innovation, Science, and Economic Development Canada's license-exempt RSS(s). Operation is subject to the following 2 conditions:

1. This device may not cause interference.
2. This device must accept any interference, including interference that may cause undesired operation of the device.

Compliance Information for the European Union

CE EU Compliance Statement:

F-16 Thunderbirds 70mm EDF BNF Basic (EFL178500): Hereby, Horizon Hobby, LLC declares that the device is in compliance with the following: EU Radio Equipment Directive 2014/53/EU; RoHS 2 Directive 2011/65/EU, RoHS 3 Directive - Amending 2011/65/EU Annex II 2015/863.

F-16 Thunderbirds 70mm EDF PNP (EFL013575): Hereby, Horizon Hobby, LLC declares that the device is in compliance with the following: EU EMC Directive 2014/30/EU; RoHS 2 Directive 2011/65/EU, RoHS 3 Directive - Amending 2011/65/EU Annex II 2015/863.

The full text of the EU declaration of conformity is available at the following internet address: <https://www.horizonhobby.com/content/support-render-compliance>.

Wireless frequency and output:

Receiver:
2404-2476MHz
5.58dBm

EU Manufacturer of Record:

Horizon Hobby, LLC
2904 Research Road
Champaign, IL 61822 USA

EU Importer of Record:

Horizon Hobby, GmbH
Hanskampring 9
22885 Barsbüttel Germany

WEEE NOTICE:



This appliance is labeled in accordance with European Directive 2012/19/EU concerning waste of electrical and electronic equipment (WEEE). This label indicates that this product should not be disposed of with household waste. It should be deposited at an appropriate facility to enable recovery and recycling.



HINWEIS

Alle Anweisungen, Garantien und andere Begleitdokumente können von Horizon Hobby, LLC nach eigenem Ermessen geändert werden. Um aktuelle Produktinformationen zu erhalten, besuchen Sie <http://www.horizonhobby.com> oder towerhobbies.com und klicken Sie auf die Registerkarte Support oder Ressourcen für dieses Produkt.

BEGRIFFSERKLÄRUNG

Die folgenden Begriffe werden in der gesamten Produktliteratur verwendet, um die Gefährdungsstufen im Umgang mit dem Produkt zu definieren:

WARNUNG: Verfahren, die bei nicht ordnungsgemäßer Durchführung womöglich Schäden an Eigentum, Kollateralschäden und schwere Verletzungen ODER höchstwahrscheinlich oberflächliche Verletzungen verursachen können.

ACHTUNG: Verfahren, die bei nicht ordnungsgemäßer Durchführung womöglich Schäden an physischem Eigentum UND schwere Verletzungen verursachen können.

HINWEIS: Verfahren, die bei nicht ordnungsgemäßer Durchführung womöglich Schäden an physischem Eigentum UND geringfügige oder keine Verletzungen verursachen können.

 **WARNUNG:** Lesen Sie die GESAMTE Bedienungsanleitung, um sich vor Inbetriebnahme mit den Funktionen des Produkts vertraut zu machen. Eine nicht ordnungsgemäße Bedienung des Produkts kann das Produkt und persönliches Eigentum schädigen und schwere Verletzungen verursachen.


Dies ist ein hoch entwickeltes Produkt für den Hobbygebrauch. Es muss mit Vorsicht und Umsicht bedient werden und erfordert einige mechanische Grundfertigkeiten. Wird das Produkt nicht sicher und umsichtig verwendet, so könnten Verletzungen oder Schäden am Produkt oder anderem Eigentum entstehen. Dieses Produkt ist nicht für den Gebrauch durch Kinder ohne direkte Aufsicht eines Erwachsenen vorgesehen. Versuchen Sie nicht, das Produkt ohne Zustimmung von Horizon Hobby, LLC zu zerlegen, mit nicht kompatiblen Komponenten zu verwenden oder beliebig zu verbessern. Dieses Handbuch enthält Sicherheitshinweise sowie Anleitungen zu Betrieb und Wartung. Es ist unerlässlich, dass Sie alle Anleitungen und Warnungen in diesem Handbuch vor dem Zusammenbau, der Einrichtung oder der Inbetriebnahme lesen und diese befolgen, um eine korrekte Bedienung zu gewährleisten und Schäden bzw. schwere Verletzungen zu vermeiden.

ALTERSEMPFEHLUNG: Nicht für Kinder unter 14 Jahren. Dies ist kein Spielzeug.

Sicherheitsmaßnahmen und Warnungen

Als Benutzer dieses Produkts sind ausschließlich Sie für einen Betrieb verantwortlich, der weder Sie selbst noch andere gefährdet, bzw. der weder das Produkt noch Eigentum anderer beschädigt.

- Halten Sie stets in alle Richtungen einen Sicherheitsabstand zu Ihrem Modell ein, um Kollisionen und Verletzungen zu vermeiden. Dieses Modell wird über ein Funksignal gesteuert. Funksignale können von außerhalb gestört werden, ohne dass Sie darauf Einfluss nehmen können. Störungen können zu einem vorübergehenden Verlust der Steuerungskontrolle führen.
- Betreiben Sie Ihr Modell stets auf offenen Geländen, weit ab von Autos, Verkehr und Menschen.
- Befolgen Sie die Anweisungen und Warnungen für dieses Produkt und jedwedes optionales Zubehörteil (Ladegeräte, wieder aufladbare Akkus etc.) stets sorgfältig.
- Halten Sie sämtliche Chemikalien, Kleinteile und elektrische Komponenten stets außer Reichweite von Kindern.
- Vermeiden Sie den Wasserkontakt aller Komponenten, die nicht speziell dafür ausgelegt und entsprechend geschützt sind. Feuchtigkeit beschädigt die Elektronik.
- Nehmen Sie niemals ein Element des Modells in Ihren Mund, da dies zu schweren Verletzungen oder sogar zum Tod führen könnte.
- Betreiben Sie Ihr Modell niemals mit schwachen Senderbatterien.
- Behalten Sie das Modell stets im Blick und unter Kontrolle.
- Verwenden Sie nur vollständig aufgeladene Akkus.
- Behalten Sie den Sender stets eingeschaltet, wenn das Modell eingeschaltet ist.
- Entfernen Sie stets den Akku, bevor Sie das Modell auseinandernehmen.
- Halten Sie bewegliche Teile stets sauber.
- Halten Sie die Teile stets trocken.
- Lassen Sie die Teile stets abkühlen, bevor Sie sie berühren.
- Entfernen Sie nach Gebrauch stets den Akku.
- Stellen Sie immer sicher, dass der Failsafe vor dem Flug ordnungsgemäß eingestellt ist.
- Betreiben Sie das Modell niemals bei beschädigter Verkabelung.
- Berühren Sie niemals sich bewegende Teile.

 **WARNUNG VOR GEFÄLSCHTEN PRODUKTEN:** Sollten Sie jemals eine Spektrum Komponente ersetzen wollen, kaufen Sie die benötigten Ersatzteile immer bei Horizon Hobby oder einem von Horizon Hobby autorisierten Händler, um sicherzugehen, dass Sie beste Spektrum Qualität erhalten. Horizon Hobby, LLC lehnt jedwede Haftung, Garantie und Serviceleistung in Bezug auf, aber nicht ausschließlich für, Kompatibilitäts- und Leistungsansprüche von gefälschten Produkten oder Produkten, die angeben mit DSM oder Spektrum kompatibel zu sein, ab.

Registrierung

Registrieren Sie Ihr Produkt heute, um zu unserer Mailing-Liste zu gehören und mit Produktaktualisierungen, Angeboten und E-Flite News auf dem neuesten Stand zu sein.



Inhaltsverzeichnis

Erforderliches Werkzeug	18
SAFE Select-Technologie (BNF Basic)	19
Senderprogrammierung (BNF Basic)	19
Zusammenbau des Modells	20
Maßstabsgetreues Zubehör <i>Optional</i>	22
Montage des Akkus und Aktivierung des Geschwindigkeitsreglers	22
Failsafe und allgemeine Tipps für die Binding	23
Binden von Sender und Empfänger/SAFE Select ein- und ausschalten	23
Schalterbelegung von SAFE Select	24
Horn- und Servoarm-Einstellungen	24
Schwerpunkt (CG)	25
Steuerrichtungstests	25
Trimmung während des Fluges	26
Flugtipps und Reparaturen	26
Nach dem Flug	26
Auswahl und Montage des PNP-Empfängers	27
Motorservice	27
AS3X Fehlerbehebung	28
Fehlerbehebung	28
Ersatzteile	29
Empfohlene Ausrüstung	29
Optionales Zubehör	29
Haftungsbeschränkung	30
Garantie und Service Kontaktinformationen	30
Konformitätshinweise für die Europäische Union	31

Specifications

Wingspan	32" (813mm)
Length	49.53" (1258mm)
Weight	Without Battery: 73.7oz (2090g) With Recommended 6S 3200mAh Flight Battery: 5.6lbs (2570g)

Enthaltene Ausrüstung

Empfänger*	Spektrum AR631 6CH AS3X/SAFE Empfänger (SPMAR631)
ESC	Avian 85-Amp Smart Lite Bürstenloser Geschwindigkeitsregler; 3S-6S, IC5 (SPMXAE85C)
Motor	Bürstenloser Innenläufer-Motor; 3060-KV1900 4-pole (SPMXAM3000)
Gebläse	70mm Impeller-Einheit (EFLA7012DF)
Servos	(6) 9g Digitaler Servo, Metallgetriebe (SPMSA335) (1) 9g Digitaler Servo Metallgetriebe rückwärts (SPMSA335R) (rechtes Höhenruder)

*Diese Komponenten sind nicht im Lieferumfang der Plug-and-Play-Version (PNP) dieses Produkts enthalten.

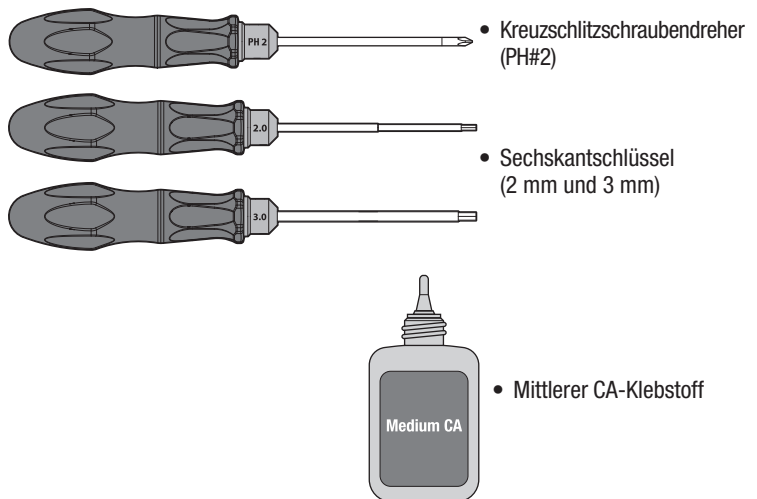
Empfohlene Ausrüstung

Sender	Nur NX6 6-Kanal-DSMX-Sender (SPMR6775)
Flug-Akku	3200mAh 6S 22.2V Smart 30C; IC5 (SPMX32006S30)
Akkuladegerät	Smart S1100 G2 Wechselstrom-Ladegerät; 1x100 W (SPMXC2080)

Sonderzubehör

SPMR8200	Nur NX8-Sender mit 8 Kanälen
SPMXC2000	S2100 G2 2x100W AC Smart-Ladegerät
SPMX32006S50	3200 mAh 6S 22,2 V Smart 50C; IC5
SPMX40006S50	4000 mAh 6S 22,2 V Smart 50C; IC5
SPMX40006S30	4000 mAh 6S 22,2 V Smart 30C; IC5
DYN1405	LiPo Ladeschutzbeutel, groß
SPM6722	Spektrum Single Aircraft TX Gehäuse

Erforderliches Werkzeug



SAFE Select-Technologie (BNF Basic)

Die evolutionäre SAFE Select-Technologie bieten ein zusätzliches Schutzniveau, sodass Sie Ihren ersten Flug mit Zuversicht durchführen können. Es ist keine komplexe Senderprogrammierung erforderlich. Einfach den einfachen Bindungsvorgang befolgen, um das SAFE Select-System zu aktivieren. Bei der Aktivierung verhindern die Begrenzungen bei Schräglage und Neigung ein Übersteuern und die automatische Selbstausrichtung erleichtert das Abfangen aus riskanten oder unübersichtlichen Positionen durch das Loslassen der Steuerknüppel. So wird SAFE Select das Flugzeug automatisch in einer geraden und ausgerichteten Position halten, wenn sich die Steuerknüppel für Querruder, Höhenruder und Seitenruder in neutraler Position befinden.

Erweitern Sie die Vorteile von dem, was die SAFE Select-Technologie zu bieten hat, indem Sie ihr einen Schalter zuweisen. Die Programmierung des Senders ist nicht erforderlich und Sie können durch das Umlegen eines Schalters das System ein- und ausschalten. Schalten Sie das System während des Flugs aus, um unbegrenzte Kunstflugeigenschaften durchzuführen, und schalten Sie es wieder ein, wenn ein Freund Ihr tolles Flugzeug ausprobieren möchte. Schalten Sie SAFE Select für das Landen ein. Es wird während der Landung die korrekte Neigungsposition und die Flügel ausgerichtet halten. Egal ob Sie Anfänger oder Experte sind, SAFE Select kann Ihre Flüge in eine großartige Erfahrung verwandeln. Wird der normale Bindungsprozess befolgt, so wird das SAFE Select-System deaktiviert und stattdessen die AS3X-Technologie eingeschaltet, um eine reine, unbegrenzte Flugerfahrung zu liefern.

Senderprogrammierung (BNF Basic)

WICHTIG: Nach dem Einrichten des Modells immer den Sender und Empfänger erneut binden, um die gewünschten Failsafe-Positionen einzurichten.

Duale Geschwindigkeiten

Die ersten Flüge bei niedriger Geschwindigkeit durchführen. Zum Landen hohe Geschwindigkeit verwenden.

HINWEIS: Zur korrekten Funktionsweise der AS3X-Technologie die Geschwindigkeitswerte nicht unter 50 % senken. Werden niedrigere Geschwindigkeiten gewünscht, die Position der Gestänge auf dem Servoarm manuell anpassen.

Tritt Oszillation bei hoher Geschwindigkeit auf, die Fehlerbehebung zu weiteren Informationen lesen.

Expo

Nach den ersten Flügen kann der Expo im Sender angepasst werden.

Einziehbares Fahrwerk

Den Schalter für Kanal 5 (Fahrwerk) zum Einfahren oder Ausfahren des einziehbaren Fahrwerks bewegen.

Telemetrie-Alarme	
Rx V / Min Rx V	4.2V
Geschwindigkeitsregler Smart / Niederspannungsalarm	3.4V
Smart-Akku / Startmindestspannung	4.0V

Konfiguration von Sendern der NX-Serie

1. Schalten Sie Ihren Sender EIN, klicken Sie das Scrollrad an, gehen Sie zu Systemkonfiguration und klicken Sie das Scrollrad an. JA auswählen.
2. Gehen Sie auf Modellauswahl und wählen Sie Neues Modell hinzufügen weiter unten in der Liste. Wählen Sie Flugzeugtyp durch Auswählen des Flugzeugbilds, wählen Sie Erstellen.
3. Modellnamen einstellen: Geben Sie einen Namen für Ihre Modelldatei ein.
4. Gehen Sie zu Flugzeugtyp und scrollen Sie zur Tragflächenauswahl, wählen Sie Tragfläche: Normal; Leitwerk: Normal
5. Wählen Sie Hauptbildschirm, Klicken Sie das Scrollrad an, um zur Funktionsliste zu gelangen.
6. Gehe zu Servo-Setup, Umkehr: Umkehr des GER-Kanals
7. Gehen Sie zum Menü D/R (Duale Geschwindigkeit) und Expo , um D/R und Expo einzustellen.
8. Geschwindigkeiten und Expo: Querruder Schalter einstellen: Schalter F Hohe Geschwindigkeiten einstellen: 100%, Expo 10% — Niedrige Geschwindigkeiten: 70%, Expo 5%
9. Geschwindigkeiten und Expo: Höhenruder Schalter einstellen: Schalter C Hohe Geschwindigkeiten: 100%, Expo 10% — Niedrige Geschwindigkeiten 70%, Expo 5%
10. Geschwindigkeiten und Expo: Seitenruder Schalter einstellen: Schalter G Hohe Geschwindigkeiten: 100%, Expo 10% — Niedrige Geschwindigkeiten 70%, Expo 5%
11. Gasabschaltung einstellen; Schalter: Schalter H , Position: -100%

Konfiguration von Sendern der DX-Serie

1. Schalten Sie Ihren Sender EIN, klicken Sie das Scrollrad an, gehen Sie zu Systemkonfiguration und klicken Sie das Scrollrad an. JA auswählen.
2. Gehen Sie auf Modellauswahl und wählen Sie Neues Modell hinzufügen ganz unten in der Liste. Das System fragt, ob Sie ein neues Modell erstellen möchten, wählen Sie Erstellen.
3. Modelltyp einstellen: Wählen Sie Flugzeugmodelltyp durch Auswählen des Flugzeugs. Das System bittet Sie, den Modelltyp zu bestätigen. Die Daten werden zurückgesetzt. JA auswählen
4. Modellnamen einstellen: Geben Sie einen Namen für Ihre Modelldatei ein.
5. Gehen Sie zu Flugzeugtyp und scrollen Sie zur Tragflächenauswahl, wählen Sie Tragfläche: Normal; Leitwerk: Normal
6. Wählen Sie Hauptbildschirm, Klicken Sie das Scrollrad an, um zur Funktionsliste zu gelangen.
7. Gehe zu Servo-Setup, Umkehr: Umkehr des GER-Kanals
8. D/R (Duale Geschwindigkeit) und Expo einstellen: Querruder Schalter einstellen: Schalter F Hohe Geschwindigkeiten einstellen: 100%, Expo 10% — Niedrige Geschwindigkeiten: 70%, Expo 5%
9. D/R (Duale Geschwindigkeit) und Expo einstellen: Höhenruder Schalter einstellen: Schalter C Hohe Geschwindigkeiten: 100%, Expo 10% — Niedrige Geschwindigkeiten 70%, Expo 5%
10. D/R (Duale Geschwindigkeit) und Expo einstellen: Seitenruder Schalter einstellen: Schalter G Hohe Geschwindigkeiten: 100%, Expo 10% — Niedrige Geschwindigkeiten 70%, Expo 5%
11. Gasabschaltung einstellen; Schalter: Schalter H , Position: -100%

Konfiguration von Sendern der iX-Serie

1. Schalten Sie Ihren Sender EIN und beginnen Sie, sobald die App Spektrum AirWare geöffnet ist.
Wählen Sie das orangene Stiftsymbol oben links auf dem Bildschirm, das System erfragt eine Erlaubnis zum Ausschalten RF, wählen Sie **FORTFAHREN**.
2. Wählen Sie die drei Punkte in der oberen rechten Ecke des Bildschirms und wählen Sie Neues Modell hinzufügen.
3. Gehen Sie auf Modelloption, wählen Sie **STANDARDMÄSSIG**, wählen Sie Flugzeug. Das System fragt, ob Sie ein neues Acro-Modell erstellen möchten, wählen Sie Erstellen.
4. Wählen Sie das letzte Modell in der Liste aus, das Acro heißt. Klicken Sie das Wort Acro an und geben Sie der Datei einen neuen Namen Ihrer Wahl.
5. Drücken und halten Sie das Pfeil-zurück-Symbol in der oberen linken Ecke des Bildschirms, um zum Hauptbildschirm zurückzukehren.
6. Zum Menü Einstellungen des Modells gehen. Flugzeug-Typ auswählen. Das System bittet um die Erlaubnis, RF auszuschalten, wählen Sie **FORTFAHREN**.
Wählen Sie **Tragfläche: Normal; Leitwerk: Normal**.
7. Drücken und halten Sie das Pfeil-zurück-Symbol in der oberen linken Ecke des Bildschirms, um zum Hauptbildschirm zurückzukehren.
8. Zum Menü Anpassen des Modells gehen.
9. Gehe zu **Servo-Setup, Umkehr: Umkehr des GER-Kanals**
10. Duale Geschwindigkeiten und Expo einstellen: **Querruder**
auswählen Schalter einstellen: **Schalter F**
Hohe Geschwindigkeiten einstellen: 100%, Expo 10% — Niedrige Geschwindigkeiten: 70%, Expo 5%
11. Duale Geschwindigkeiten und Expo einstellen: **Höhenruder**
auswählen Schalter einstellen: **Schalter C**
Hohe Geschwindigkeiten: 100%, Expo 10% — Niedrige Geschwindigkeiten 70%, Expo 5%
12. Duale Geschwindigkeiten und Expo einstellen: **Seitenruder**
auswählen Schalter einstellen: **Schalter G**
Hohe Geschwindigkeiten: 100%, Expo 10% — Niedrige Geschwindigkeiten 70%, Expo 5%
13. Gasabschaltung einstellen; Schalter: **Schalter H**, Position: **-100%**

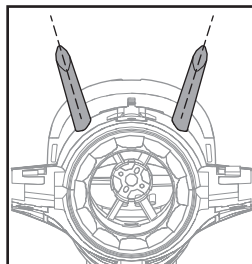
Zusammenbau des Modells

Montage der Stabilisierungsflosse

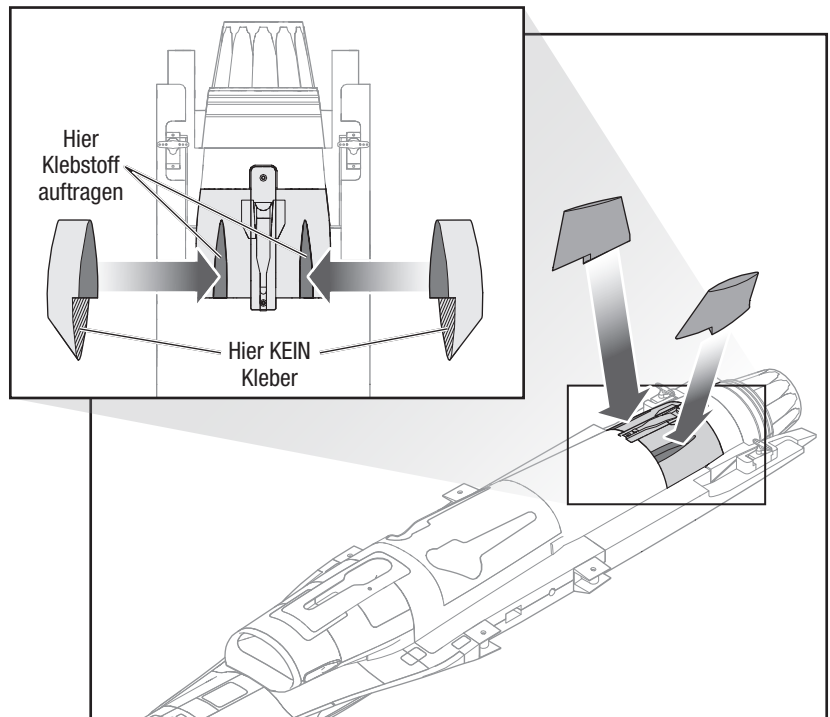
1. Die Passflächen der Stabilisierungsflossen und der Gebläseabdeckungen mit einem mit Alkohol getränkten Papiertuch abwischen, um Staub oder losen Lack vor dem Auftragen des Klebstoffs zu entfernen.
2. Zum Anbringen der unteren Seitenleitwerke an der Gebläseabdeckung mittleren CA-Klebstoff verwenden. Eine dünne Schicht des mittleren CA-Klebstoffs in den Montageschlitz für das Seitenleitwerk auf der Gebläseabdeckung auftragen.

WICHTIG: Keinen Klebstoff auf die vordere Hälfte der Stabilisierungsflosse auftragen, die auf den Rumpf trifft. Die Stabilisierungsflossen sollten auf die Gebläseabdeckung geklebt werden. Wenn die vordere Hälfte der Stabilisierungsflossen mit dem Rumpf verklebt ist, kann die Gebläseabdeckung nicht abgenommen werden, um an die Gebläseeinheit zu gelangen.

3. Die Stabilisierungsflossen entsprechend der Abbildung rechts in der Gebläseabdeckung einführen. Bestätigen, dass die Stabilisierungsflossen laut der nachfolgenden Abbildung nach außen gewinkelt sind.
4. Die Stabilisierungsflossen in Position drücken und überschüssigen Klebstoff mit einem Papiertuch abwischen.
5. Das Modell gerade mit dem Rumpf nach oben belassen und die Stabilisierungsflossen sichern, bis der Klebstoff ausgehärtet ist.

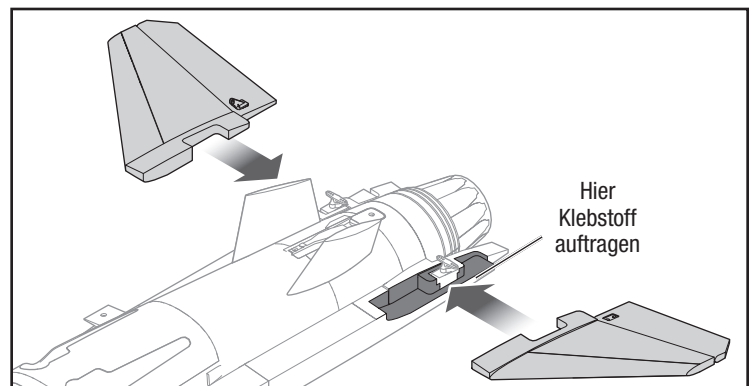


Bestätigen, dass die Stabilisierungsflossen nach außen gewinkelt sind.



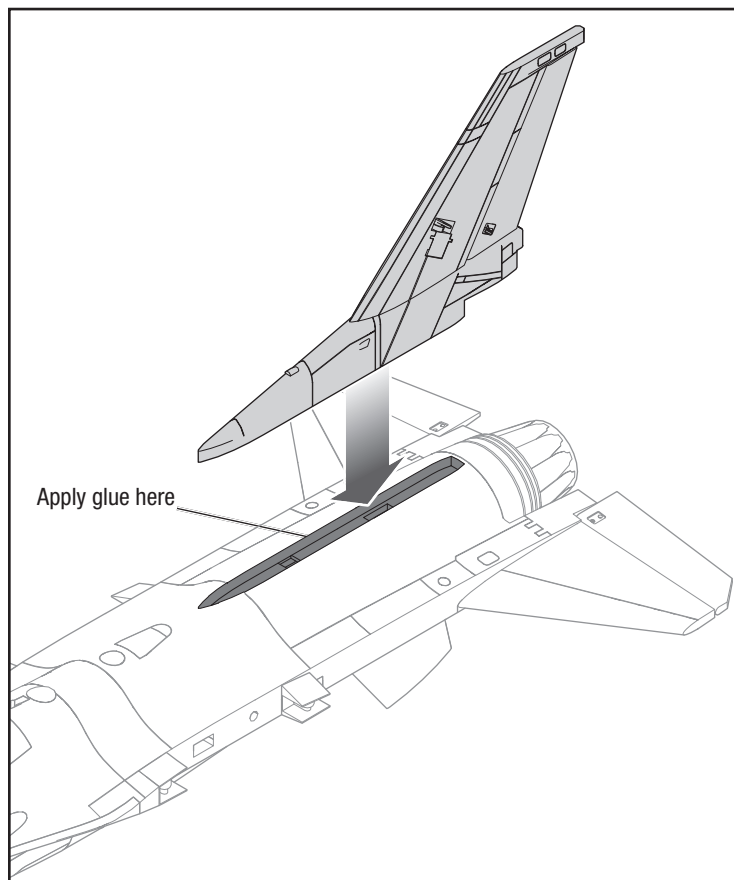
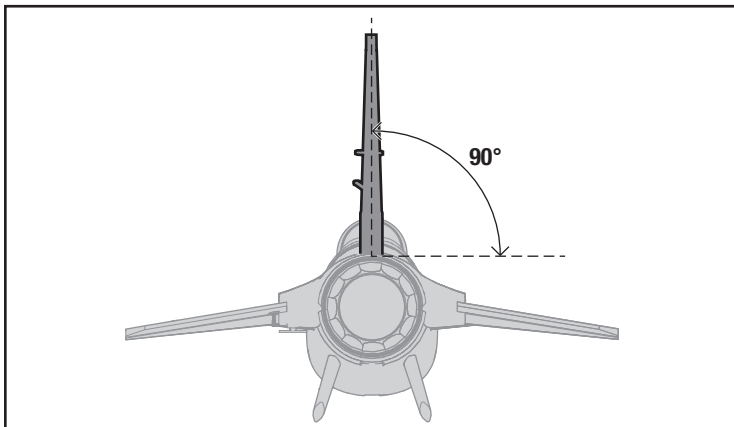
Montage des Höhenleitwerks

1. Die Passflächen der Höhenleitwerke und des Rumpfs mit einem mit Alkohol getränkten Papiertuch abwischen, um Staub oder losen Lack vor dem Auftragen des Klebstoffs zu entfernen.
2. Eine dünne Schicht mittleren CA-Klebstoff auf die Befestigungsflächen des Höhenleitwerks am Rumpf auftragen, die in der Abbildung dunkelgrau schattiert sind.
3. Das Höhenleitwerk wie dargestellt am Rumpf befestigen.
4. Die Höhenleitwerke in Position drücken und überschüssigen Klebstoff mit einem Papiertuch abwischen.
5. Halten Sie bei umgedrehtem Modell die Höhenleitwerke in Position, bis der Klebstoff ausgehärtet ist.



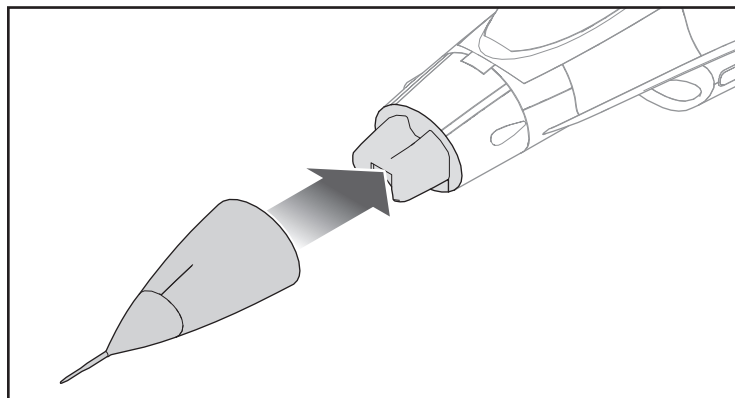
Montage des Seitenleitwerks

1. Den Seitenruder-Servo an der im Schlitz befindlichen Servoverlängerung anschließen. Vor dem Fortfahren den korrekten Betrieb des Servos mit dem Funksystem bestätigen.
2. Die Passflächen des Seitenleitwerks und des Rumpfs mit einem mit Alkohol getränktem Papiertuch abwischen, um Staub oder losen Lack zu entfernen.
3. Die Leitung des Seitenruder-Servos wieder in den Schlitz am Rumpf stecken.
4. Eine dünne Schicht mittelstarken CA-Klebstoff im Montageschlitz des Seitenleitwerks am Rumpf auftragen, wie mit der dunklen Schattierung in der Abbildung dargestellt.
5. Das Seitenleitwerk wie dargestellt am Rumpf befestigen.
6. Das Seitenleitwerk einsetzen. Überschüssigen Kleber mit einem Papiertuch abwischen.
7. Das Modell gerade mit dem Rumpf nach oben belassen und sicherstellen, dass das Seitenleitwerk korrekt ausgerichtet ist, während der Klebstoff aushärtet.



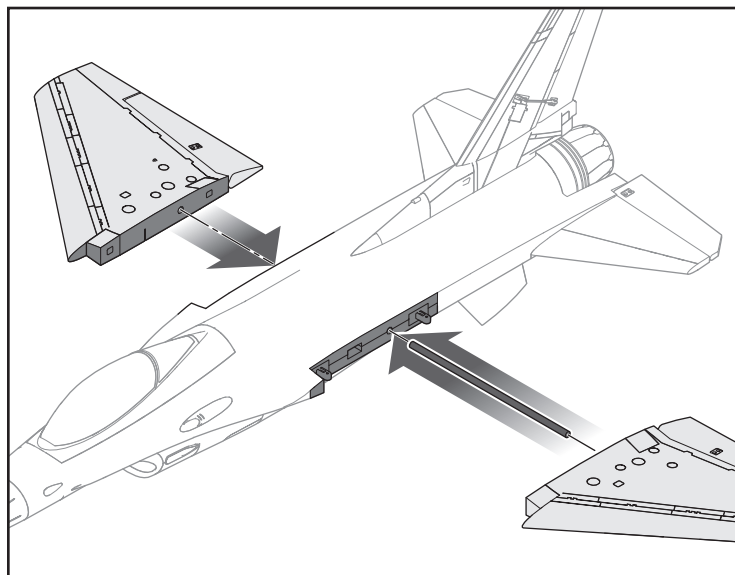
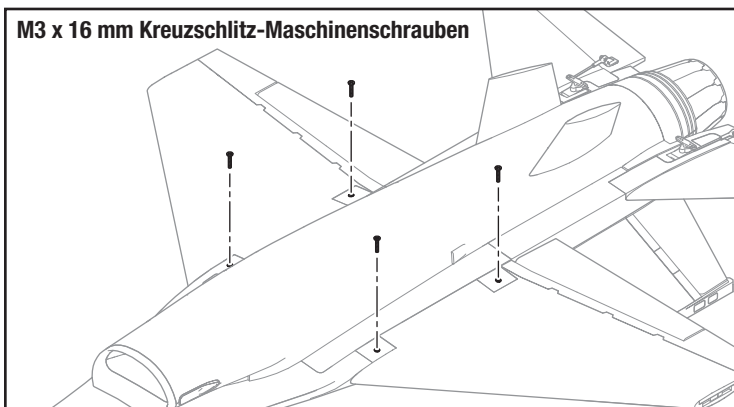
Montage der Bugspitze

Die Bugspitze wie abgebildet in Position schieben. Die Bugspitze wird magnetisch gehalten.



Montage der Tragflächen

1. Das Steckrohr in den Rumpf schieben.
2. Die Tragflächen auf das Steckrohr schieben.
3. Die Tragflächenhälften mit den mitgelieferten 3 x 16mm-Schrauben und einem Kreuzschlitzschraubendreher Nr. 2 von unten in ihrer Position sichern.

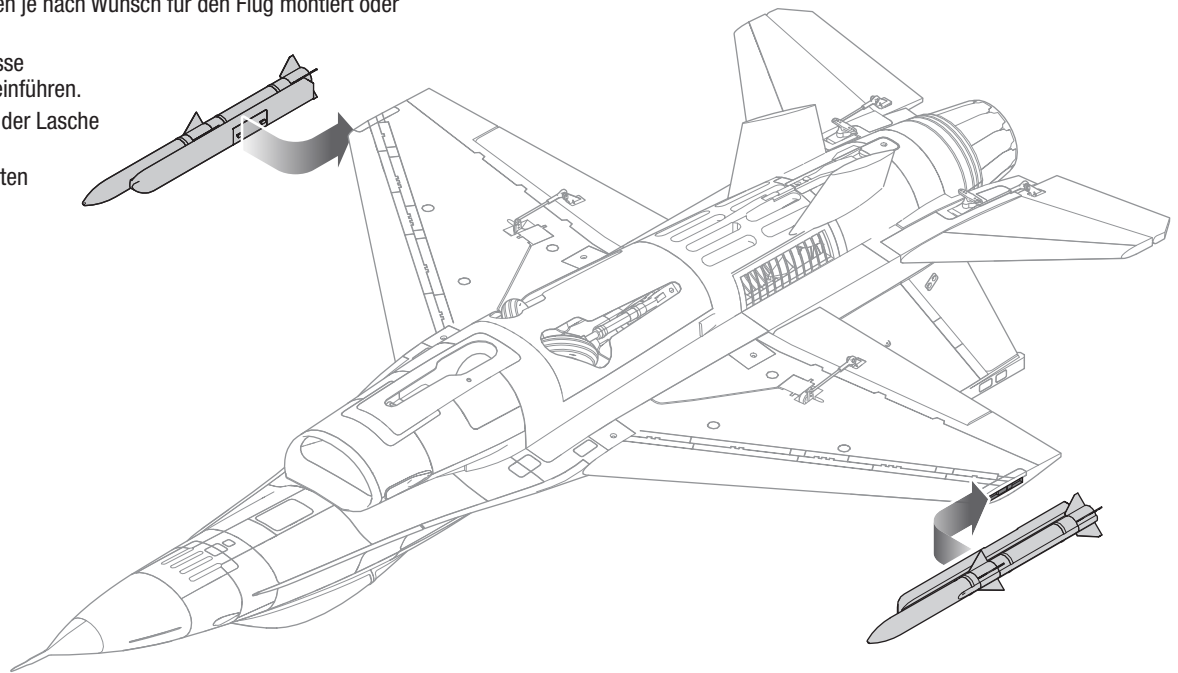


Maßstabsgetreues Zubehör *Optional*

Die Geschosse der Flügelspitze können je nach Wunsch für den Flug montiert oder entfernt werden.

1. Die Halterungslasche der Geschosse in die Halterung der Flügelspitze einführen.
2. Den Flugkörper zum Verriegeln in der Lasche nach hinten schieben.

Das Zerlegen erfolgt in der umgekehrten Reihenfolge.

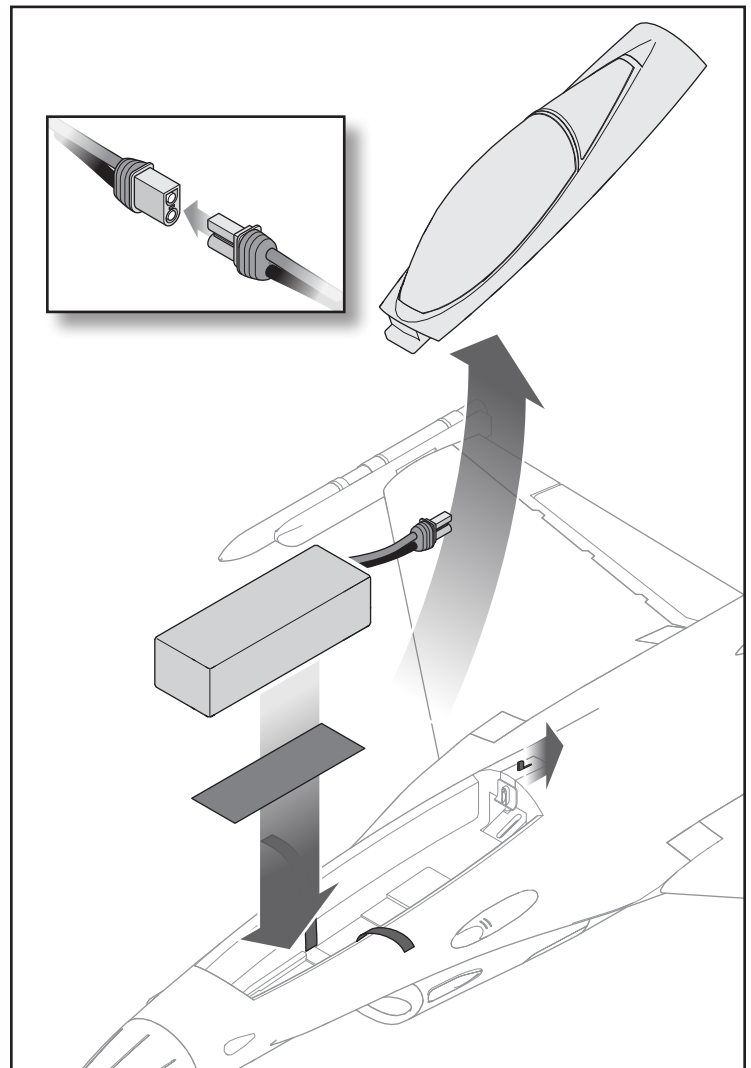


Montage des Akkus und Aktivierung des Geschwindigkeitsreglers

Wahl des Akkus

Empfohlen wird der Spektrum 3200mAh 22,2V 6S 30C LiPo-Akku (SPMX32006S30). Weitere empfohlene Batterien finden Sie in der Liste der Zubehörteile. Wird ein anderer als die aufgeführten Akkus verwendet, dann sollte der Akku in Leistung, Abmessungen und Gewicht dem Spektrum Li-Po-Akkupack entsprechen, damit er in den Rumpf passt. Sicherstellen, dass das Modell vor dem Flug am empfohlenen Schwerpunkt (CG) ausbalanciert ist.

1. Die Gaszufuhr auf die niedrigste Einstellung einstellen.
2. Den Sender einschalten und 5 Sekunden warten.
3. Den Verschluss der Abdeckung zum Heck schieben und die Abdeckung aus dem Rumpf heben.
4. Die Schlingenseite des Klettbandes auf der Unterseite des Akkus anbringen. Die Hakenseite im Akkufach anbringen.
5. Den voll aufgeladenen Akku vollständig im Akkufach montieren.
6. Den Akku mit dem angebrachten Haken und dem Klettband sichern.
7. Den Akku an den ESC anschließen. Der Geschwindigkeitsregler ist nun aktiviert. Das Flugzeug still und nicht in den Wind halten und aufrecht und auf einer ebenen Oberfläche, da sich das System ansonsten nicht initialisiert. Bei der Initialisierung des Modells gibt der Motor einen einzelnen Ton ab, dem sofort drei oder vier Töne folgen, die die Zellenzahl des angeschlossenen Akkus anzeigen. Die LED am Empfänger leuchtet.
8. Die Akku-Abdeckung wieder montieren und darauf achten, dass die Verriegelung vollständig einrastet.



Failsafe und allgemeine Tipps für die Binding

- Der mitgelieferte Sender wurde speziell für den Betrieb dieses Fluggeräts programmiert. Nach dem Austausch des Empfängers sind die Anweisungen zur ordnungsgemäßen Einrichtung dem Empfängerhandbuch zu entnehmen.
- Während des Bindens von großen Metallobjekten fern halten.
- Die Senderantenne während des Bindens nicht direkt auf den Empfänger richten.
- Die orangefarbene LED auf dem Empfänger beginnt, schnell zu blinken, wenn der Empfänger in den Bindungsmodus wechselt.
- Nach erfolgter Binding behält der Empfänger seine Bindingeinstellungen für den Empfänger bei, bis eine neue Binding erfolgt.
- Wird die Kommunikation zwischen Empfänger und Sender unterbrochen, so wird Failsafe aktiviert. Durch Failsafe wird der Gaskanal in die Position „wenig Gas“ gebracht. Höhenruder- und Querruderkanäle bewegen sich, um das Absacken des Flugzeug in einer Kurve aktiv zu stabilisieren.
- Treten Probleme auf, ist die Anleitung zur Fehlerbehebung zu konsultieren, bei Bedarf hilft die Produktsupport-Abteilung von Horizon weiter.

Binden von Sender und Empfänger/SAFE Select ein- und ausschalten

Die BNF Basic-Version dieses Flugzeugs ist mit der SAFE Select-Technologie ausgestattet, die es ermöglicht, den Grad des Flugschutzes auszuwählen. Der SAFE-Modus beinhaltet eine Begrenzung der Schräglage und eine automatische Selbstausrichtung. Der AS3X-Modus ermöglicht dem Piloten eine direkte Reaktion auf die Steuerhebel. SAFE Select wird während des Bindungsvorgangs aktiviert oder deaktiviert. Ist SAFE Select deaktiviert, befindet sich das Flugzeug stets im AS3X-Modus. Ist SAFE Select aktiviert, befindet sich das Flugzeug stets im SAFE Select-Modus. Alternativ ist es möglich, einen Schalter für den Wechsel zwischen den Modi SAFE Select und AS3X zuzuweisen.

Dank der SAFE Select-Technologie lässt sich dieses Flugzeug für Vollzeit-SAFE-Modus oder Vollzeit-AS3X-Modus konfigurieren. Auch die Modusauswahl kann einem Schalter zugewiesen werden.

WICHTIG: Vor dem Binden den Abschnitt zur Sendereinrichtung in dieser Anleitung lesen und die Sendereinrichtung abschließen, um sicherzustellen, dass der Sender für dieses Flugzeug korrekt programmiert wurde.

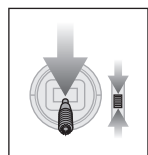
WICHTIG: Die Flugsteuerungen des Senders (Höhen-, Quer- und Seitenruder) und Gastrimmung auf neutral stellen. Das Gas vor und während dem Binden auf geringe Gaszufuhr stellen. Dieser Vorgang definiert die Failsafe-Einstellungen.

Um das Binden und den SAFE Select-Vorgang abzuschließen, lässt sich entweder der Bindungsschalter auf dem Empfängergehäuse oder der konventionelle Bindungsstecker verwenden.

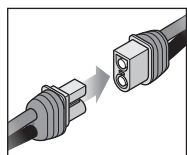
SAFE lässt sich auch über die Vorwärtsprogrammierung mit kompatiblen Sendern aktivieren.

Verwendung des Bindungsschalters

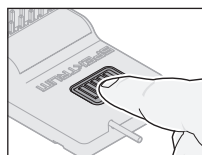
SAFE Select aktiviert



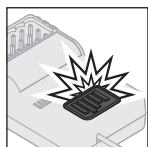
Gas senken



Mit Strom versorgen



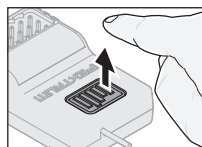
Bindungsschalter betätigen und gedrückt halten



Orangefarbene blinkende LED



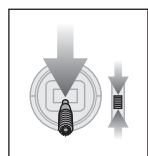
TX an RX binden



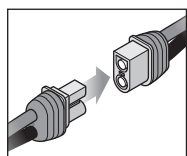
Bindungsschalter loslassen

SAFE SELECT AKTIVIERT: Jedes Mal, wenn der Empfänger eingeschaltet wird, schalten die Steuerflächen **zweimal** hin und her, mit einer kurzen Pause auf der Neutralposition.

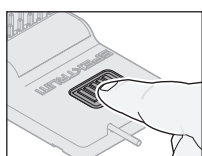
SAFE Select deaktiviert



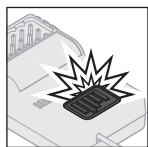
Gas senken



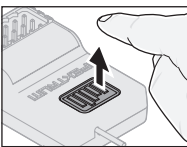
Mit Strom versorgen



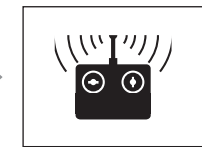
Bindungsschalter betätigen



Orangefarbene blinkende LED



Bindungsschalter loslassen

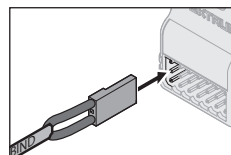


TX an RX binden

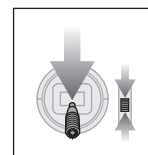
SAFE SELECT DEAKTIVIERT: Jedes Mal, wenn der Empfänger eingeschaltet wird, schalten die Steuerflächen **einmal** hin und her.

Verwendung des Bindungssteckers

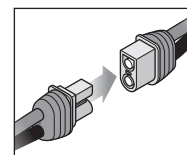
SAFE Select aktiviert



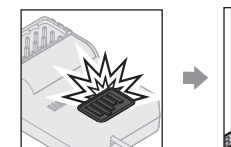
Bindungsstecker installieren



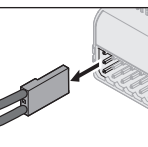
Gas senken



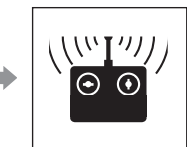
Mit Strom versorgen



Orangefarbene blinkende LED



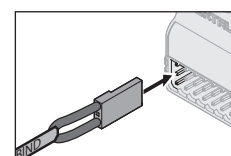
Bindungsstecker trennen



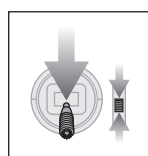
TX an RX binden

SAFE SELECT AKTIVIERT: Jedes Mal, wenn der Empfänger eingeschaltet wird, schalten die Steuerflächen **zweimal** hin und her, mit einer kurzen Pause auf der Neutralposition.

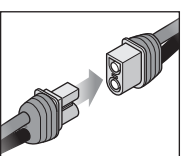
SAFE Select deaktiviert



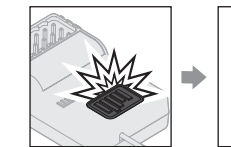
Bindungsstecker installieren



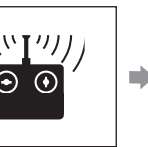
Gas senken



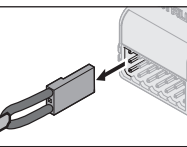
Mit Strom versorgen



Orangefarbene blinkende LED



TX an RX binden



Bindungsstecker trennen

SAFE SELECT DEAKTIVIERT: Jedes Mal, wenn der Empfänger eingeschaltet wird, schalten die Steuerflächen **einmal** hin und her.

Schalterbelegung von SAFE Select

Die SAFE Select-Technologie kann einfach jedem offenen Schalter (2 oder 3 Position) auf dem Sender zugewiesen werden. Diese neue Funktion gibt Ihnen die Flexibilität, die Technologie während des Flugs zu aktivieren oder zu deaktivieren.

WICHTIG: Vor dem Zuweisen des gewünschten Schalters sicherstellen, dass der Verfahrensweg für diesen Kanal auf 100 % in beide Richtungen eingestellt ist und Querruder, Höhenruder, Seitenruder und Gashebel alle eine hohe Geschwindigkeit haben und der Verfahrensweg 100% beträgt. Schalten Sie den Gas aus (Throttle Hold), wenn er im Sender programmiert ist.

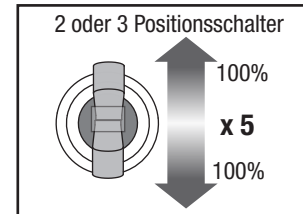
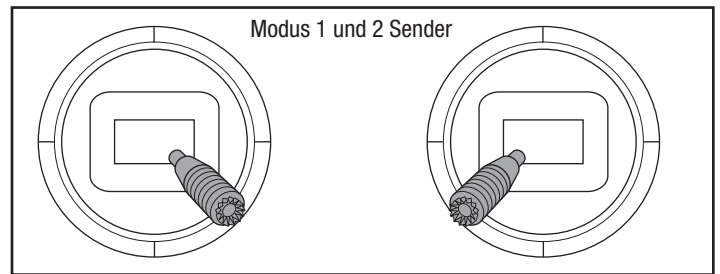
ACHTUNG: Halten Sie alle Körperteile vom Rotor, den Lufteinlässe und dem Abgasrohr fern und halten Sie das Flugzeug im Falle einer versehentlichen Gashebelbetätigung sicher zurückhaltend.

Zuweisen eines Schalters

1. Flugzeug zum Aktivieren von SAFE Select korrekt binden. Dadurch kann das System einem Schalter zugewiesen werden.
2. Beide Hebel des Senders in die unteren inneren Ecken halten und den gewünschten Schalter 5-mal (1 Umschalten = vollständig von oben nach unten) hin- und herschalten, um diesen Schalter zuzuweisen. Die Steuerflächen des Flugzeugs werden sich bewegen und so anzeigen, dass der Schalter ausgewählt wurde.

Wiederholen Sie den Vorgang, um einen anderen Schalter zuzuweisen oder den aktuellen Schalter zu deaktivieren, wenn Sie möchten.

HINWEIS: SAFE Select kann jeden nicht verwendeten Kanal 5-9 zugewiesen werden.



Horn- und Servoarm-Einstellungen

Die Tabelle rechts zeigt die werkseitigen Einstellungen der Steuerhörner und Servoarme. Das Flugzeug auf den Werkseinstellungen fliegen, ehe Änderungen vorgenommen werden.

HINWEIS: Werden die Werkseinstellungen der Steuerausschläge geändert, so müssen ggf. die AR631-Gewinnwerte angepasst werden. Siehe Spektrum AR631-Handbuch zum Anpassen der Gewinnwerte.

Verbindung Installation

Die Aufzugsverbindungen müssen nach dem Aufkleben des Hecks installiert werden.

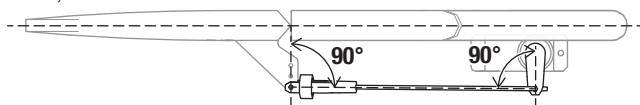
1. Führen Sie das Z-Bogenende des Gestänges in die entsprechende Öffnung im Servohorn ein, wie in der Tabelle rechts gezeigt
2. Verbinden Sie das Kugelgelenk mit dem Kontrollhorn wie in der Tabelle rechts gezeigt.

In umgekehrter Reihenfolge demontieren.

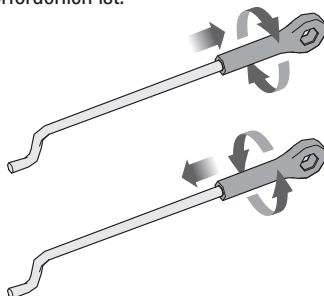
Zentrieren der Steuerflächen

Während der Montage müssen die Steuerflächen mechanisch zentriert werden, wenn die Servos auf Neutral stehen.

Das Modell zusammenbauen, den Sender einrichten, den Sender am Empfänger des Fluggeräts binden und die Trimmungen und Ersatztrimmungen auf 0 stellen. Bei Bedarf die abschließenden Einstellungen bei eingeschaltetem Modell vornehmen, damit alle Steuerflächen zentriert sind.



Falls eine Anpassung erforderlich ist:



- Das Gestänge im oder gegen den Uhrzeigersinn drehen, um die korrekte Länge zu erreichen, damit die Steueroberfläche zentriert ist.
- Nach dem Anpassen das Gestänge am Steuerhorn anbringen.

Werkseinstellungen	Hörner	Arme
Höhenruder		
Seitenruder		
Querruder		

Nach dem Flug können die Gestängepositionen für die gewünschte Steuerreaktion angepasst werden. Siehe nachfolgende Tabelle.

HINWEIS: Werden die Werkseinstellungen der Steuerausschläge geändert, so müssen ggf. die AR631-Gewinnwerte angepasst werden. Siehe Spektrum AR631-Handbuch zum Anpassen der Gewinnwerte.

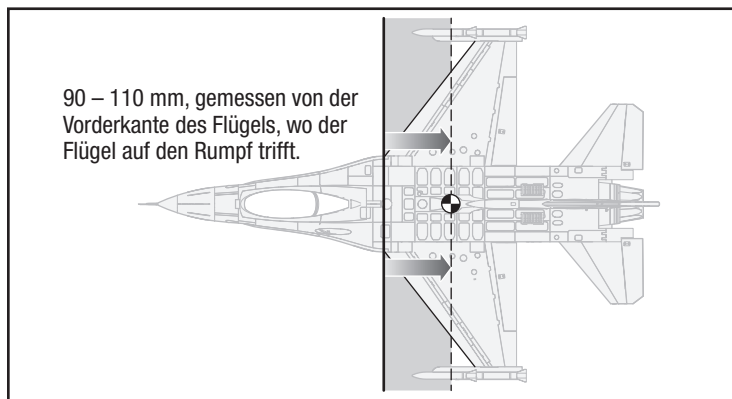
Einstellung	Hörner	Arme
Größerer Ruderausschlag		
Geringerer Ruderausschlag		

Schwerpunkt (CG)

HINWEIS: Installieren Sie die Batterie im Flugzeug, schalten Sie den Regler jedoch nicht scharf, während Sie den Schwerpunkt überprüfen. Es kann zu Personenschäden kommen.

Der Schwerpunkt liegt zwischen 90 und 110 mm, gemessen von der Vorderkante des Flügels, wo der Flügel auf den Rumpf trifft, und bei ausgefahrenem Fahrwerk. Die Lage des Schwerpunktes wird mit der empfohlenen Batterie eingebaut (SPMX32006S30) ermittelt.

Verschieben Sie den Akku je nach Bedarf nach vorne oder hinten, um den richtigen Schwerpunkt zu erreichen.



Steuerrichtungstests

Den Sender einschalten und den Akku anschließen. Den Sender zum Steuern der Querruder-, Höhenruder- und Seitenrudersteuerungen verwenden. Beim Prüfen der Steuerungsrichtungen das Fluggerät von hinten ansehen.

Höhenruder

1. Den Höhenruder-Hebel zurückziehen. Die Höhenruder sollten sich nach oben bewegen, sodass das Fluggerät steigt.
2. Den Höhenruder-Hebel nach vorne drücken. Die Höhenruder sollte sich nach unten bewegen, sodass das Fluggerät sinkt.

Querruder

1. Den Querruder-Hebel nach links bewegen. Die linken Querruder sollten sich nach oben und die rechten Querruder nach unten bewegen, sodass sich das Fluggerät nach links neigt.
2. Den Querruder-Hebel nach rechts bewegen. Die rechten Querruder sollten sich nach oben und die linken Querruder nach unten bewegen, sodass sich das Fluggerät nach rechts neigt.

Seitenruder

1. Den Seitenruder-Hebel nach links bewegen. Das Seitenruder sollte sich nach links bewegen, sodass das Flugzeug nach links giert.
2. Den Seitenruder-Hebel nach rechts bewegen. Das Seitenruder sollte sich nach rechts bewegen, sodass das Fluggerät nach rechts giert.

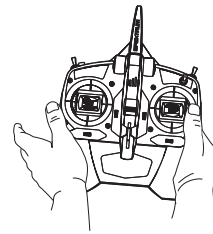
	Sendersteuerung	Reaktion der Steueroberflächen
Höhenruder		
Querruder		
Seitenruder		

Trimmung während des Fluges

Trimmen Sie das Flugzeug bei Ihrem ersten Flug für Horizontalflug mit Gashebel auf 3/4, Klappen und Fahrwerk eingefahren. Um den Geradeausflug des Flugzeugs zu verbessern, machen Sie kleine Trimmkorrekturen mit den Trimmschaltern Ihres Senders.

Nach erfolgter Einstellung der Trimmung die Steuerknüppel für 3 Sekunden nicht berühren. Dadurch erhält der Empfänger die Informationen über die zur Optimierung der AS3X-Leistung geeigneten Einstellungen.

Wenn Sie dies nicht tun, kann die Flugleistung beeinträchtigt werden.



3 Sekunden

Flugtipps und Reparaturen

Vor der Wahl des Flugstandorts die örtlichen Gesetze und Verordnungen konsultieren.

Reichweitentest des Funksystems

Vor dem Flug den Reichweitentest des Funksystems durchführen. Siehe das spezifische Handbuch des Senders zu Informationen zum Reichweitentest.

Oszillation

Sobald das AS3X-System aktiv ist (nach der ersten Zunahme der Gaszufuhr), ist die Reaktion der Steueroberflächen auf Flugzeugbewegungen sichtbar. Bei einigen Flugbedingungen kann eine Oszillation (das Flugzeug schaukelt aufgrund einer Übersteuerung auf eine Achse auf und ab) sichtbar. Tritt Oszillation auf, die Fehlerbehebung zu weiteren Informationen lesen.

Start

Das Flugzeug gegen den Wind platzieren. Den Sender auf niedrige Geschwindigkeit einstellen und den Klappen-Schalter verwenden, um die Klappen für den Start zu senken oder in die „halbe Position“ zu bringen. Die Gaszufuhr langsam auf 3/4 erhöhen und mit dem Seitenruder lenken. **Klappen verkürzen den Start.** Wenn sich das Heck vom Boden hebt, das Höhenruder vorsichtig zurückziehen. Sobald das Flugzeug in der Luft ist, auf eine komfortable Höhe steigen und den Klappen-Schalter zum Einziehen der Klappen umlegen.

Fliegen

Für die ersten Flüge mit dem empfohlenen Akku-Paket (EFLB32006S30) den Sender-Timer oder die Stoppuhr auf 5 Minuten einstellen. Das Flugzeug nach 5 Minuten landen. Den Timer für längere oder kürzere Flüge anpassen, nachdem mit dem Modell geflogen wurde. Verliert der Motor zu irgendeinem Zeitpunkt an Leistung, das Flugzeug unverzüglich landen und den Flug-Akku aufladen. Siehe Abschnitt zur Niedrigtrennschaltung für weitere Einzelheiten zur Maximierung der Akku-Lebensdauer und Laufzeit.

Landen

Das Flugzeug im Wind landen. Während des Landevorgangs eine geringe Gaszufuhr anlegen. Die Gaszufuhr auf 1/4 senken und den Klappen-Schalter umlegen, um die Klappen zum Landen auszufahren oder in „vollständig nach unten Position“ zu bringen. **Die Klappen machen den Landeanflug steiler und langsamer und sorgen so für eine weichere Landung.**

Gas beibehalten, bis das Flugzeug abgefangen werden kann. Während des Abfangens die Flügel waagrecht und das Flugzeug im Wind halten. Gehen Sie vorsichtig vom Gas und ziehen gleichzeitig das Höhenruder zurück, um das Flugzeug aufsetzen zu lassen.

Bei der Landung im Gras sollte am besten nach der Landung und während des Rollens das Höhenruder vollständig oben sein, um ein Vornüberkippen zu verhindern.

Auf dem Boden scharfe Kurven vermeiden, bis sich das Flugzeug soweit verlangsamt hat, um das Abkratzen der Flügelspitzen zu verhindern.

Nach dem Flug

- | |
|--|
| 1. Den Flug-Akku vom Geschwindigkeitsregler trennen. |
| 2. Den Sender ausschalten. |
| 3. Den Flug-Akku vom Flugzeug entfernen. |
| 4. Den Flug-Akku aufladen. |

HINWEIS: Steht ein Absturz unmittelbar bevor, Gaszufuhr senken und komplett trimmen. Wird dies unterlassen, können zusätzliche Schäden am Flugzeugrahmen sowie Schäden am Geschwindigkeitsregler und Motor auftreten.

HINWEIS: Nach einem Absturz immer sicherstellen, dass der Empfänger im Rumpf gesichert ist. Wird der Empfänger ersetzt, den neuen Empfänger in derselben Ausrichtung wie der Originalempfänger montieren, da es ansonsten zu Schäden kommen kann.

HINWEIS: Schäden durch Abstürze sind durch die Gewährleistung nicht gedeckt.

HINWEIS: Das Flugzeug nicht der direkten Sonneneinstrahlung oder heißen, geschlossenen Bereichen, wie einem Fahrzeug, aussetzen, wenn es nicht geflogen wird. Dadurch kann das Flugzeug beschädigt werden.

Niedrigtrennschaltung (LVC)

Wird ein Li-Po-Akku unter 3 V je Zelle entladen, wird er keine Ladung halten. Der Geschwindigkeitsregler schützt den Flug-Akku mit einer Niedrigtrennschaltung vor einer übermäßigen Entladung. Ehe der Akkuladestand zu niedrig fällt, trennt die LVC die Stromzufuhr zum Motor. Die Stromzufuhr zum Motor sinkt und zeigt an, dass ein Teil der Akku-Leistung für die Flugsteuerung und das sichere Landen reserviert ist.

Trennen Sie den LiPo-Akku nach dem Gebrauch vom Flugzeug und nehmen Sie ihn heraus, um eine Teilentladung zu vermeiden. Laden Sie Ihren LiPo-Akku vor dem Lagern etwa bis zur Hälfte auf. Achten Sie beim Lagern darauf, dass die Akkuladung nicht unter 3 V pro Zelle fällt. Die LVC verhindert nicht das übermäßige Entladen des Akkus während der Lagerung.

HINWEIS: Das wiederholte Fliegen auf LVC kann zu Schäden am Akku führen.

TIPP: Die Akku-Spannung des Flugzeugs vor und nach dem Fliegen mit einer Li-Po-Zelle Spannungsprüfer (EFLA111, separat erhältlich) überwachen.

Reparaturen

Dank des Foam Materials in diesem Flugzeug können Reparaturen am Schaumstoff mit fast jedem Klebstoff (Heißbleim, regulärer CA, Epoxid usw.) durchgeführt werden. Können Bauteile nicht repariert werden, siehe Ersatzteilliste zum Bestellen nach Artikelnummer. Eine Aufführung aller Ersatzteile und optionaler Bauteile findet sich in der Liste am Ende dieser Anleitung.

HINWEIS: Die Verwendung eines CA-Beschleunigers am Flugzeug kann die Farbe beschädigen. Das Flugzeug ERST handhaben, wenn der Beschleuniger vollständig getrocknet ist.

- | |
|---|
| 5. Alle beschädigten Bauteile reparieren oder ersetzen. |
| 6. Den Flug-Akku getrennt vom Flugzeug lagern und den Akku-Ladezustand überwachen. |
| 7. Die Flugbedingungen und Ergebnisse des Flugplans notieren und für zukünftige Flüge planen. |

Auswahl und Montage des PNP-Empfängers

Der Spektrum AR631-Empfänger wird für dieses Flugzeug empfohlen. Wird ein anderer Empfänger montiert, dann sicherstellen, dass es sich dabei zumindest um einen kompletten Empfänger mit 6 Kanälen handelt. Zur korrekten Montage und Bedienung, siehe Empfängeranleitung.

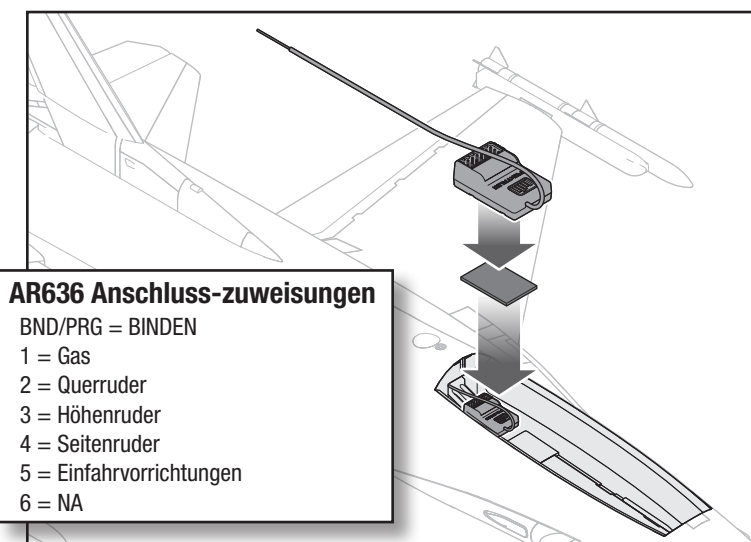
⚠ ACHTUNG: Die falsche Montage des Empfängers kann einen Absturz verursachen.

Installation (AR631 abgebildet)

1. Die Kanzel vom Rumpf entfernen.
2. Den Empfänger in Längsrichtung parallel im Rumpf mit dem doppelseitigen Servoband befestigen, wie in der Abbildung dargestellt.

WICHTIG: Die Antenne gerade nach hinten durch den Rumpftunnel führen.

3. Die entsprechenden Steuerflächen laut der Tabelle auf der rechten Seite an ihre jeweiligen Anschlüsse am Empfänger anbringen.



AR636 Anschluss-zuweisungen

BND/PRG = BINDEN

- 1 = Gas
- 2 = Querruder
- 3 = Höhenruder
- 4 = Seitenruder
- 5 = Einfahrvorrichtungen
- 6 = NA

Motorservice

⚠ ACHTUNG: Vor der Motorwartung immer den Flugzeug-Akku trennen.

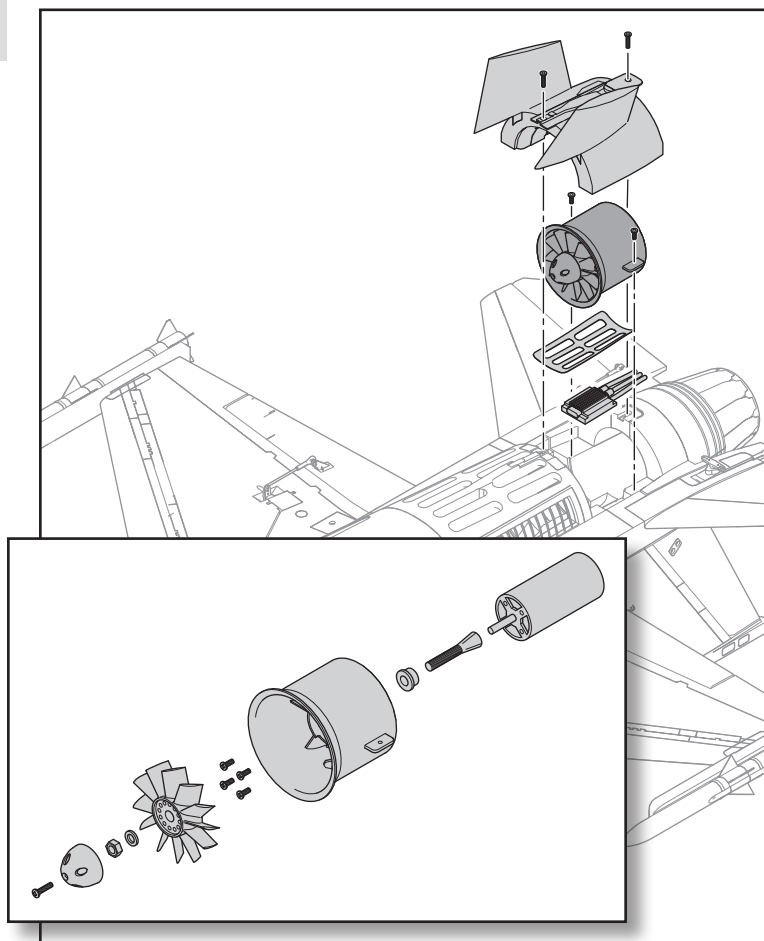
Zerlegen

1. Die zwei 3 mm x 10 mm Senkkopf-Maschinenschrauben entfernen, die die Gebläseabdeckung in Position halten. Die Gebläseabdeckung entfernen
2. Die zwei 3 mm x 12 mm selbstschneidenden Senkkopfschrauben entfernen, die das Gehäuse des Impeller-Motors in Position halten.
3. Die 3 mm x 20 mm Maschinenschraube entfernen, die den Spinner an der Motorwelle hält. Den Spinner entfernen.
4. Den Impeller Laufrad vorsichtig anfassen und die Sechskantmutter entfernen, die das Gebläse an der Motorwelle hält. Das Gebläse entfernen.
5. Den Gebläseadapter von der Motorwelle entfernen.
6. Die vier 3 mm x 6 mm Maschinenschrauben und den Motor von der Gebläsehalterung entfernen.
7. Die Motordrähte von den Drähten des ESC trennen.

Alles in umgekehrter Reihenfolge wieder zusammenbauen.

Beim Zusammenbau der Motor- und Lüfterbaugruppe:

- Die Aderfarben der Motordrähte richtig mit den Drähten des Geschwindigkeitsreglers verbinden.
- Darauf achten, dass das Gebläse mit der Vorderseite zur Nase des Flugzeugs eingebaut wird.
- Zum Festziehen der Mutter auf dem Rotor und der Klemmbuchse ist ein Werkzeug erforderlich.
- Darauf achten, dass kein Draht durch die Stromversorgungskomponenten eingeklemmt wird.
- Sicherstellen, dass die Abdeckung des Geschwindigkeitsreglers sicher auf den Rumpf geklebt ist.
- Für den sicheren Betrieb sicherstellen, dass der Spinner vollständig befestigt ist.



AS3X Fehlerbehebung

Problem	Mögliche Ursache	Lösung
Oszillation	Beschädigter Propeller oder Spinner	Propeller oder Spinner ersetzen
	Propeller im Ungleichgewicht	Propeller ausbalancieren. Zu weiteren Informationen das Video von John Redman zum Ausbalancieren des Propellers unter www.horizonhobby.com ansehen
	Motorvibrationen	Bauteile ersetzen oder alle Bauteile korrekt ausrichten und Befestiger festziehen, je nach Bedarf
	Loser Empfänger	Empfänger im Rumpf ausrichten und sichern
	Lose Flugzeugsteuerungen	Bauteile (Servo, Arm, Gestänge, Horn und Steueroberfläche) festziehen oder anderweitig sichern
	Verschlissene Bauteile	Verschlissene Bauteile (insbesondere Propeller, Spinner oder Servo) ersetzen
	Ungleichmäßige Servobewegungen	Servo ersetzen
Ungleichmäßige Flugleistung	Trimmung ist nicht auf Neutral	Wird die Trimmung für mehr als 8 Klicks angepasst, den Gabelkopf anpassen, um Trimmung zu entfernen
	Ersatztrimmung ist nicht auf Neutral	Keine Ersatztrimmung zugelassen. Servogestänge anpassen
	Flugzeug wurde dem Verbinden des Akkus nicht für 5 Sekunden still gehalten	Gashebel in niedrigster Position. Akku trennen, dann Akku wieder anschließen und Flugzeug für 5 Sekunden still halten
Falsche Reaktion auf den AS3X-Steuerrichtungstest	Falsche Richtungseinstellungen im Empfänger, was zu Abstürzen führen kann	Das Flugzeug NICHT fliegen. Die Richtungseinstellungen korrigieren (siehe Empfänger-Handbuch), dann fliegen

Fehlerbehebung

Problem	Mögliche Ursache	Lösung
Flugzeug reagiert nicht auf Gas, aber auf alle anderen Steuerungen	Gas nicht im Leerlauf und/oder Gastrimmung zu hoch	Die Steuerungen mit Gashebel und Gastrimmung auf niedrigster Einstellung zurücksetzen
	Verfahrweg des Gasservo liegt unter 100 %	Sicherstellen, dass Verfahrweg des Gasservos 100 % oder höher ist
	Gaskanal ist umgekehrt	Gaskanal auf dem Sender umkehren
	Motor vom Geschwindigkeitsregler getrennt	Sicherstellen, dass der Motor mit dem Geschwindigkeitsregler verbunden ist
Zusätzliche Geräusche am Propeller oder zusätzliche Vibrationen	Beschädigter Propeller und Spinner, Klemmbuchse oder Motor	Beschädigte Bauteile ersetzen
	Propeller ist nicht in Balance	Propeller ausbalancieren oder ersetzen
	Propellermutter zu locker	Propellermutter festziehen
Flugzeit reduziert oder Flugzeug untermotorisiert	Ladezustand des Akkus ist niedrig	Flug-Akku komplett aufladen
	Propeller verkehrt herum montiert	Propeller mit Zahlen nach vorne weisend montieren
	Flug-Akku beschädigt	Flug-Akku ersetzen und Anweisungen zum Flug-Akku befolgen
	Flugbedingungen können zu kalt sein	Sicherstellen, dass der Akku vor der Verwendung warm ist
	Akku-Kapazität für die Flugbedingungen zu gering	Akku ersetzen oder einen Akku mit höherer Kapazität verwenden
Flugzeug bindet (während des Bindens) nicht am Sender	Sender während des Bindungsvorgangs zu nah am Flugzeug	Eingeschalteten Sender vom Flugzeug wegbewegen, Flug-Akku vom Flugzeug trennen und wieder anschließen
	Flugzeug oder Sender zu nah an einem großen Metallobject, einer drahtlosen Quelle oder einem anderen Sender	Flugzeug und Sender an eine andere Stelle bringen und das Binden erneut versuchen
	Der Bindungsstecker ist nicht richtig im Bindungsanschluss montiert	Bindungsstecker im Bindungsanschluss montieren und Flugzeug am Sender binden
	Ladezustand des Flug-Akkus/Sender-Akkus zu niedrig	Akkus ersetzen/aufladen
	Bindungsschalter oder -taster während des Bindungsvorgangs nicht lange genug gehalten	Sender ausschalten und den Bindungsvorgang wiederholen. Bindungsschalter oder -taster des Senders halten, bis der Empfänger gebunden ist
Flugzeug verbindet sich (während des Bindens) nicht mit dem Sender	Sender während des Verbindungsvorgangs zu nah am Flugzeug	Eingeschalteten Sender vom Flugzeug wegbewegen, Flug-Akku vom Flugzeug trennen und wieder anschließen
	Flugzeug oder Sender zu nah an einem großen Metallobject, einer drahtlosen Quelle oder einem anderen Sender	Flugzeug und Sender an eine andere Stelle bringen und das Binden erneut versuchen
	Bindungsstecker verbleibt im Bindungsanschluss montiert	Den Sender am Flugzeug binden und den Bindungsstecker entfernen, ehe die Stromzufuhr ein- und ausgeschaltet wird
	Flugzeug an einem anderen Modellspeicher gebunden (nur ModelMatch-Funkgeräte)	Korrekten Modellspeicher auf dem Sender wählen
	Ladezustand des Flug-Akkus/Sender-Akkus zu niedrig	Akkus ersetzen/aufladen
	Der Sender kann an ein anderes Flugzeug mit einem anderen DSM-Protokoll gebunden sein	Flugzeug an den Sender binden

Problem	Mögliche Ursache	Lösung
Steueroberfläche bewegt sich nicht	Schaden an Steueroberfläche, Steuerhorn, Gestänge oder Servo	Beschädigte Bauteile ersetzen oder reparieren und Steuerungen anpassen
	Kabel beschädigt oder Verbindungen locker	Prüfung der Kabel und Verbindungen durchführen, nach Bedarf verbinden oder ersetzen
	Sender ist nicht korrekt gebunden oder das falsche Flugzeug wurde gewählt	Erneut binden oder korrektes Flugzeug im Sender wählen
	Ladezustand des Akkus ist niedrig	Flug-Akku komplett aufladen
	BEC (Akku-Sperrkreis) auf dem Geschwindigkeitsregler ist beschädigt	Geschwindigkeitsregler ersetzen
Steuerungen umgekehrt	Sendereinstellungen sind umgekehrt	Steuerrichtungstest durchführen und die Steuerungen auf dem Sender entsprechend anpassen
Motorleistung pulsiert, Motor verliert dann an Leistung	Geschwindigkeitsregler nutzt standardmäßige weiche Niedrigtrennschaltung	Flug-Akku laden oder Akku ersetzen, der nicht mehr funktioniert
	Wetterbedingungen können zu kalt sein	Flug verschieben, bis das Wetter wärmer ist
	Akku ist alt, verschlissen oder beschädigt	Akku ersetzen
	Akku-Kapazität vielleicht zu gering	Empfohlenen Akku verwenden

Ersatzteile

Teile-Nr.	Beschreibung
EFL7801	Rumpf: F-16 Thunderbird 70mm EDF
EFL7802	Tragflächensatz: F-16 Thunderbird 70mm EDF
EFL7803	Seitenleitwerk: F-16 Thunderbird 70mm EDF
EFL7804	Höhenleitwerke: F-16 Thunderbird 70mm EDF
EFL7805	Flügelspitzengeschosse: F-16 Thunderbird 70mm EDF
EFL7807	Cockpit/Abdeckung: F-16 Thunderbird 70mm EDF
EFL7808	Bugspitze: F-16 Thunderbird 70mm EDF
EFL7809	Stabilisierungsflossensatz: F-16 Thunderbird 70mm EDF
EFL7811	Bugfahrwerksatz: F-16 Thunderbird 70mm EDF
EFL7812	Hauptfahrwerksatz: F-16 Thunderbird 70mm EDF
EFL7814	Bugfahrwerkssystem: F-16 Thunderbird 70mm EDF
EFL7815	Hauptgetriebesystem: F-16 Thunderbird 70mm EDF
EFL7816	Fahrwerkabdeckungen: F-16 Thunderbird 70mm EDF
EFL7817	Gestängesatz: F-16 Thunderbird 70mm EDF
EFL7818	Steckungsrohr: F-16 Thunderbird 70mm EDF
EFL7819	Schraubensatz: F-16 Thunderbird 70mm EDF
EFL7820	Reifensatz: F-16 Thunderbird 70mm EDF
EFL7821	Decal-Satz: F-16 Thunderbird 70mm EDF
EFL7822	Verstrebungsstifte des einziehbaren Fahrwerks: F-16 70mm EDF
SPMXAE85C	Avian 85-Amp Smart Lite Bürstenloser Geschwindigkeitsregler; 3S-6S, IC5
EFLA7012DF	70 mm Impeller
EFLG325	E-Einfahrvorrichtung des Bugfahrwerks: F-16 70mm EDF

Teile-Nr.	Beschreibung
EFLG326	E-Einfahrvorrichtung des Hauptfahrwerks: F-16 70mm EDF
SPMXAM3000	Bürstenloser Innenläufer-Motor 3060–KV1900 4-polig
SPMSA335	A335 9g Digitaler Servo Metallgetriebe
SPMSA335R	A335R 9 g Digitaler Servo Metallgetriebe rückwärts
SPMAR631	AR631 mit 6 Kanälen AS3X & SAFE-Empfänger

Empfohlene Ausrüstung

Teile-Nr.	Beschreibung
SPMX32006S30	3200 mAh 6S 22,2 V Smart 30C; IC5
SPMXCA507	Adapter: IC3-Akku/IC5-Gerät
SPMR6775	Nur NX6-Sender mit 6 Kanälen
SPMXC2080	S1100 G2 1x100W AC Smart-Ladegerät

Optionales Zubehör

Teile-Nr.	Beschreibung
SPMR8200	Nur NX8-Sender mit 8 Kanälen
SPMXC2000	S2100 G2 2x100W AC Smart-Ladegerät
SPMX32006S50	3200 mAh 6S 22,2 V Smart 50C; IC5
SPMX40006S50	4000 mAh 6S 22,2 V Smart 50C; IC5
SPMX40006S30	4000 mAh 6S 22,2 V Smart 30C; IC5
DYN1405	LiPo Ladeschutzbeutel, groß
SPM6722	Spektrum Single Aircraft TX Gehäuse

Haftungsbeschränkung

Warnung

Ein ferngesteuertes Modell ist kein Spielzeug. Es kann, wenn es falsch eingesetzt wird, zu erheblichen Verletzungen bei Lebewesen und Beschädigungen an Sachgütern führen. Betreiben Sie Ihr RC-Modell nur auf freien Plätzen und beachten Sie alle Hinweise der Bedienungsanleitung des Modells wie auch der Fernsteuerung.

Garantiezeitraum

Exklusive Garantie Horizon Hobby LLC (Horizon) garantiert, dass das gekaufte Produkt frei von Material- und Montagefehlern ist. Der Garantiezeitraum entspricht den gesetzlichen Bestimmungen des Landes, in dem das Produkt erworben wurde. In Deutschland beträgt der Garantiezeitraum 6 Monate und der Gewährleistungszeitraum 18 Monate nach dem Garantiezeitraum.

Einschränkungen der Garantie

- (a) Die Garantie wird nur dem Erstkäufer (Käufer) gewährt und kann nicht übertragen werden. Der Anspruch des Käufers besteht in der Reparatur oder dem Tausch im Rahmen dieser Garantie. Die Garantie erstreckt sich ausschließlich auf Produkte, die bei einem autorisierten Horizon Händler erworben wurden. Verkäufe an Dritte werden von dieser Garantie nicht gedeckt. Garantieansprüche werden nur angenommen, wenn ein gültiger Kaufnachweis erbracht wird. Horizon behält sich das Recht vor, diese Garantiebestimmungen ohne Ankündigung zu ändern oder modifizieren und widerruft dann bestehende Garantiebestimmungen.
- (b) Horizon übernimmt keine Garantie für die Verkaufbarkeit des Produktes, die Fähigkeiten und die Fitness des Verbrauchers für einen bestimmten Einsatzzweck des Produktes. Der Käufer allein ist dafür verantwortlich, zu prüfen, ob das Produkt seinen Fähigkeiten und dem vorgesehenen Einsatzzweck entspricht.
- (c) Ansprüche des Käufers → Es liegt ausschließlich im Ermessen von Horizon, ob das Produkt, bei dem ein Garantiefall festgestellt wurde, repariert oder ausgetauscht wird. Dies sind die exklusiven Ansprüche des Käufers, wenn ein Defekt festgestellt wird.

Horizon behält sich vor, alle eingesetzten Komponenten zu prüfen, die in den Garantiefall einbezogen werden können. Die Entscheidung zur Reparatur oder zum Austausch liegt nur bei Horizon. Die Garantie schließt kosmetische Defekte oder Defekte, hervorgerufen durch höhere Gewalt, falsche Behandlung des Produktes, falscher Einsatz des Produktes, kommerziellen Einsatz oder Modifikationen irgendwelcher Art aus.

Die Garantie schließt Schäden, die durch falschen Einbau, falsche Handhabung, Unfälle, Betrieb, Service oder Reparaturversuche, die nicht von Horizon ausgeführt wurden aus.

Ausgeschlossen sind auch Fälle, die bedingt durch (vii) eine Nutzung sind, die gegen geltendes Recht, Gesetze oder Regularien verstoßen haben. Rücksendungen durch den Käufer direkt an Horizon oder eine seiner Landesvertretungen bedürfen der Schriftform.

Schadensbeschränkung

Horizon ist nicht für direkte oder indirekte Folgeschäden, Einkommensausfälle oder kommerzielle Verluste, die in irgendeinem Zusammenhang mit dem Produkt stehen verantwortlich, unabhängig ab ein Anspruch im Zusammenhang mit einem Vertrag, der Garantie oder der Gewährleistung erhoben werden. Horizon wird darüber hinaus keine Ansprüche aus einem Garantiefall akzeptieren, die über den individuellen Wert des Produktes hinaus gehen. Horizon hat keinen Einfluss auf den Einbau, die Verwendung oder die Wartung des Produktes oder etwaiger Produktkombinationen, die vom Käufer gewählt werden. Horizon übernimmt keine Garantie und akzeptiert keine Ansprüche für in der Folge auftretende Verletzungen oder Beschädigungen. Mit der Verwendung und dem Einbau des Produktes akzeptiert der Käufer alle aufgeführten Garantiebestimmungen ohne Einschränkungen und Vorbehalte.

Wenn Sie als Käufer nicht bereit sind, diese Bestimmungen im Zusammenhang mit der Benutzung des Produktes zu akzeptieren, werden Sie gebeten, das Produkt in unbenutztem Zustand in der Originalverpackung vollständig bei dem Verkäufer zurückzugeben.

Sicherheitshinweise

Dieses ist ein hochwertiges Hobby Produkt und kein Spielzeug. Es muss mit Vorsicht und Umsicht eingesetzt werden und erfordert einige mechanische wie auch mentale Fähigkeiten. Ein Versagen, das Produkt sicher und umsichtig zu betreiben kann zu Verletzungen von Lebewesen und Sachbeschädigungen erheblichen Ausmaßes führen. Dieses Produkt ist nicht für den Gebrauch durch Kinder ohne die Aufsicht eines Erziehungsberechtigten vorgesehen. Die Anleitung enthält Sicherheitshinweise und Vorschriften sowie Hinweise für die Wartung und den Betrieb des Produktes. Es ist unabdingbar, diese Hinweise vor der ersten Inbetriebnahme zu lesen und zu verstehen. Nur so kann der falsche Umgang verhindert und Unfälle mit Verletzungen und Beschädigungen vermieden werden.

Fragen, Hilfe und Reparaturen

Ihr lokaler Fachhändler und die Verkaufsstelle können eine Garantiebeurteilung ohne Rücksprache mit Horizon nicht durchführen. Dies gilt auch für Garantiereparaturen. Deshalb kontaktieren Sie in einem solchen Fall den Händler, der sich mit Horizon kurz schließen wird, um eine sachgerechte Entscheidung zu fällen, die Ihnen schnellst möglich hilft.

Wartung und Reparatur

Muss Ihr Produkt gewartet oder repariert werden, wenden Sie sich entweder an Ihren Fachhändler oder direkt an Horizon.

Rücksendungen / Reparaturen werden nur mit einer von Horizon vergebenen RMA Nummer bearbeitet. Diese Nummer erhalten Sie oder Ihr Fachhändler vom technischen Service. Mehr Informationen dazu erhalten Sie im Serviceportal unter www.horizonhobby.de oder telefonisch bei dem technischen Service von Horizon. Packen Sie das Produkt sorgfältig ein. Beachten Sie, dass der Originalkarton in der Regel nicht ausreicht, um beim Versand nicht beschädigt zu werden. Verwenden Sie einen Paketdienstleister mit einer Tracking Funktion und Versicherung, da Horizon bis zur Annahme keine Verantwortung für den Versand des Produktes übernimmt. Bitte legen Sie dem Produkt einen Kaufbeleg bei, sowie eine ausführliche Fehlerbeschreibung und eine Liste aller eingesendeten Einzelkomponenten. Weiterhin benötigen wir die vollständige

Garantie und Reparaturen

Garantieanfragen werden nur bearbeitet, wenn ein Originalkaufbeleg von einem autorisierten Fachhändler beiliegt, aus dem der Käufer und das Kaufdatum hervorgeht. Sollte sich ein Garantiefall bestätigen wird das Produkt repariert oder ersetzt. Diese Entscheidung obliegt einzig Horizon Hobby.

Kostenpflichtige Reparaturen

Liegt eine kostenpflichtige Reparatur vor, erstellen wir einen Kostenvorschlag, den wir Ihrem Händler übermitteln. Die Reparatur wird erst vorgenommen, wenn wir die Freigabe des Händlers erhalten. Der Preis für die Reparatur ist bei Ihrem Händler zu entrichten. Bei kostenpflichtigen Reparaturen werden mindestens 30 Minuten Werkstattzeit und die Rückversandkosten in Rechnung gestellt. Sollten wir nach 90 Tagen keine Einverständniserklärung zur Reparatur vorliegen haben, behalten wir uns vor, das Produkt zu vernichten oder anderweitig zu verwerten.

ACHTUNG: Kostenpflichtige Reparaturen nehmen wir nur für Elektronik und Motoren vor. Mechanische Reparaturen, besonders bei Hubschraubern und RC-Cars sind extrem aufwendig und müssen deshalb vom Käufer selbst vorgenommen werden.

10/15

Garantie und Service Kontaktinformationen

Land des Kauf	Horizon Hobby	Telefon/E-mail Adresse	Adresse
Europäische Union	Horizon Technischer Service	service@horizonhobby.de	Hanskampring 9 D 22885 Barsbüttel, Germany
	Sales: Horizon Hobby GmbH	+49 (0) 4121 2655 100	

Konformitätshinweise für die Europäische Union



EU Konformitätserklärung

F-16 Thunderbirds 70mm EDF BNF Basic (EFL178500): Hiermit erklärt Horizon Hobby, LLC, dass das Gerät den folgenden Richtlinien entspricht: EU-Richtlinie über Funkanlagen 2014/53/EU; RoHS 2-Richtlinie 2011/65 / EU; RoHS 3-Richtlinie - Änderung 2011/65 / EU-Anhang II 2015/863.

F-16 Thunderbirds 70mm EDF PNP (EFL013575): Hiermit erklärt Horizon Hobby, LLC, dass das Gerät den folgenden Richtlinien entspricht: EU-Richtlinie über elektromagnetische Verträglichkeit 2014/30/EU; RoHS 2-Richtlinie 2011/65 / EU; RoHS 3-Richtlinie - Änderung 2011/65 / EU-Anhang II 2015/863.

Der vollständige Text der EU-Konformitätserklärung ist unter folgender Internetadresse abrufbar: <https://www.horizonhobby.com/content/support-render-compliance>.

Drahtloser Frequenzbereich / Drahtlose Ausgangsleistung:

2404-2476MHz
5.58dBm

Offizieller EU-Hersteller:

Horizon Hobby, LLC
2904 Research Road
Champaign, IL 61822 USA

Offizieller EU-Importeur:

Horizon Hobby, GmbH
Hanskampring 9
22885 Barsbüttel Germany

WEEE-HINWEIS:



Dieses Gerät ist gemäß der Europäischen Richtlinie 2012/19/EU über Elektro- und Elektronik-Altgeräte (WEEE) gekennzeichnet. Dieses Symbol weist darauf hin, dass dieses Produkt kein normaler Haushaltsabfall ist, sondern in einer entsprechenden Sammelstelle für Elektro- und Elektronik-Altgeräte entsorgt werden muss.

REMARQUE

La totalité des instructions, garanties et autres documents est sujette à modification à la seule discrétion d'Horizon Hobby, LLC. Pour obtenir la documentation à jour de ce produit, veuillez consulter le site www.horizonhobby.com ou towerhobbies.com et cliquez sur l'onglet de support du produit.

SIGNIFICATION DE CERTAINS TERMES SPÉCIFIQUES

Les termes suivants sont utilisés dans l'ensemble du manuel pour indiquer différents niveaux de danger lors de l'utilisation de ce produit:

AVERTISSEMENT: Procédures qui, si elles ne sont pas suivies correctement, peuvent entraîner des dégâts matériels, des dommages collatéraux et des blessures graves OU engendrer une probabilité élevée de blessure superficielle.

ATTENTION: Procédures qui, si elles ne sont pas suivies correctement, peuvent entraîner des dégâts matériels ET des blessures graves.

REMARQUE: Procédures qui, si elles ne sont pas suivies correctement, peuvent entraîner des dégâts matériels ET potentiellement un risque faible de blessures.

 **AVERTISSEMENT:** Lisez la TOTALITE du manuel d'utilisation afin de vous familiariser avec les caractéristiques du produit avant de le faire fonctionner. Une utilisation incorrecte du produit peut entraîner l'endommagement du produit lui-même, ainsi que des risques de dégâts matériels, voire de blessures graves.


Ceci est un produit de loisirs perfectionné. Il doit être manipulé avec prudence et bon sens et requiert quelques aptitudes de base en mécanique. Toute utilisation de ce produit ne respectant pas les principes de sécurité et de responsabilité peut entraîner des dégâts matériels, endommager le produit et provoquer des blessures. Ce produit n'est pas destiné à être utilisé par des enfants sans la surveillance directe d'un adulte. N'essayez pas de démonter le produit, de l'utiliser avec des composants incompatibles ou d'en améliorer les performances sans l'accord d'Horizon Hobby, LLC. Ce manuel comporte des instructions relatives à la sécurité, au fonctionnement et à l'entretien. Il est capital de lire et de respecter toutes les instructions et avertissements du manuel avant l'assemblage, le réglage ou l'utilisation afin de le manipuler correctement et d'éviter les dommages ou les blessures graves.

14 ans et plus. Ceci n'est pas un jouet.

Précautions et avertissements liés à la sécurité

En tant qu'utilisateur de ce produit, il est de votre seule responsabilité de le faire fonctionner d'une manière qui ne mette en danger ni votre personne, ni de tiers et qui ne provoque pas de dommages au produit lui-même ou à la propriété d'autrui.

- Gardez une bonne distance de sécurité tout autour de votre modèle, afin d'éviter les collisions ou les blessures. Ce modèle est contrôlé par un signal radio, qui peut être soumis à des interférences provenant de nombreuses sources hors de votre contrôle. Une interférence peut provoquer une perte momentanée de contrôle.
- Faites toujours fonctionner votre modèle dans une zone dégagée, à l'écart de voitures, du trafic et des personnes.
- Respectez toujours scrupuleusement les instructions et les mises en garde concernant ce produit et tous les équipements optionnels/complémentaires (chargeurs, batteries rechargeables, etc.) que vous utilisez.
- Tenez tous les produits chimiques, les petites pièces et les composants électroniques hors de portée des enfants.
- Évitez toujours d'exposer à l'eau tout équipement non spécifiquement conçu et protégé à cet effet. L'humidité endommage les composants électroniques.
- Ne léchez et ne mettez jamais en bouche quelque partie de votre modèle que ce soit - risque de blessures graves voire danger de mort.
- Ne faites jamais fonctionner votre modèle lorsque les batteries de l'émetteur sont faibles.
- Gardez toujours le modèle à vue et gardez-en toujours le contrôle.
- Utilisez toujours des batteries complètement chargées.
- Gardez toujours l'émetteur sous tension lorsque le modèle est en marche.
- Enlevez toujours les batteries avant le démontage.
- Veillez toujours à ce que les pièces en mouvement soient propres.
- Veillez toujours à ce que toutes les pièces soient sèches.
- Laissez toujours le temps aux pièces de refroidir avant de les toucher.
- Enlevez toujours les batteries après utilisation.
- Assurez-vous toujours que la sécurité (failsafe) est configurée correctement avant de voler.
- Ne faites jamais voler un modèle dont le câblage est endommagé.
- Ne touchez jamais des pièces en mouvement.

 **AVERTISSEMENT CONTRE LES PRODUITS CONTREFAITS:** Si un jour vous aviez besoin de remplacer un récepteur Spektrum équipant un produit Horizon Hobby, achetez-le uniquement chez Horizon Hobby, LLC ou chez un revendeur officiel Horizon Hobby, vous serez sûr d'obtenir un produit Spektrum authentique de haute qualité. Horizon Hobby, LLC décline tout service et garantie concernant la compatibilité et les performances des produits contrefaits ou des produits clamant la compatibilité avec la technologie Spektrum ou le DSM.

Enregistrement

Enregistrez votre produit aujourd'hui pour faire partie de notre liste de diffusion et recevoir les dernières mises à jour concernant les produits, offres et informations sur E-flite.



Table des matières

Outils nécessaires.....	33
Technologie SAFE Select (BNF Basic).....	34
Paramétrage de l'émetteur (BNF Basic).....	34
Assemblage du modèle.....	35
Accessoires maquette <i>Facultatif</i>	37
Installation de la batterie de vol.....	37
Fail-safe et Conseils généraux pour affectation <i>BNF</i>	38
Affectation (Binding) de l'émetteur au récepteur /	
Activation et désactivation SAFE Select BNF.....	38
Assignation d'un interrupteur pour la technologie SAFE Select.....	39
Réglages aux guignols et aux palonniers de servos.....	39
Centre de gravité (CG).....	40
Test de contrôle de la direction.....	40
Réglage des trims en vol (BNF Basic).....	41
Conseils de vol et réparations.....	41
Maintenance après vol.....	41
Choix et installation du récepteur PNP.....	42
Opération de maintenance sur le moteur.....	42
Guide de dépannage AS3X.....	43
Guide de dépannage.....	43
Pièces de rechange.....	44
Garantie et réparations.....	44
Équipement recommandé.....	44
Accessoires en option.....	44
Informations de contact pour garantie et réparation.....	45
Informations IC.....	45
Informations de conformité pour l'Union européenne.....	45

Spécifications

Envergure d'aile	1980 mm
Longueur	1620 mm
Poids	Sans batterie : 2090 g Avec la batterie de vol 3200 mAh 6S recommandée : 2570 g

Équipement inclus

Récepteur*	Récepteur Spektrum AR631 6 canaux AS3X/SAFE (SPMAR631)
Variateur ESC	ESC Avian sans balais 85 A Smart Lite 3S-6S IC5 (SPMXAE85C)
Moteur	Moteur à rotor intérieur sans balais, 3060 – 1900 Kv 4 pôles (SPMXAM3000)
Soufflante	Soufflante carénée de 70 mm (EFLA7012DF)
Servos	(6) Servo numérique 9 g, engrenage métallique (SPMSA335) (1) Servo numérique 9 g à engrenage métallique inversé (SPMSA335R) (gouverne de profondeur droite)

*Ces composants ne sont pas inclus dans la version Plug and Play (PNP) de ce produit.

Équipement recommandé

Émetteur	Émetteur uniquement DSMX 6 canaux NX6 (SPMR6775)
Batterie de vol	3200 mAh 6S 22,2 V Smart 30C, IC5 (SPMX32006S30)
Chargeur de batterie	Chargeur Smart CA S1100 G2, 1 x 100 (SPMXC2080)

Accessoires en option

SPMR8200	Émetteur à 8 canaux NX8 uniquement
SPMXC2000	Chargeur Smart CA 2 x 100 W G2 S2100
SPMX32006S50	3 200 mAh 6S 22,2 V Smart 50C ; IC5
SPMX40006S50	Batterie 4000 mAh 6S 22,2 V Smart 50C, IC5
SPMX40006S30	Batterie 4000 mAh 6S 22,2 V Smart 30C, IC5
DYN1405	Sac de protection du chargeur de batterie Li-Po, grand
SPM6722	Boîtier pour émetteur d'avion unique Spektrum

Outils nécessaires



- Tournevis cruciforme (PH n° 2)



- Clés Allen (2 mm et 3 mm)



- Colle CA moyenne

Technologie SAFE Select (BNF Basic)

La technologie SAFE Select vous offre un niveau supplémentaire de protection afin de vous permettre d'effectuer votre premier vol en toute confiance. Aucune programmation complexe n'est nécessaire. Il vous suffit de suivre la procédure d'affectation pour activer la technologie SAFE Select. Une fois activées, les limites d'inclinaison et de pas vous évitent de perdre de contrôle et l'auto-stabilisation vous permet d'éviter le crash simplement en lâchant les manches. En fait, lorsque les manches ailerons, profondeur et dérive sont au neutre, le SAFE Select maintiendra votre avion stable et de niveau.

Améliorez l'utilisation de la technologie SAFE Select en l'assignant à un interrupteur. Aucune programmation émetteur n'est nécessaire et vous pourrez activer ou désactiver le système simplement en basculant l'interrupteur. Par

exemple, activez le SAFE Select au décollage pour contrecarrer le couple de l'hélice. Désactivez-le en vol pour pouvoir exécuter des figures acrobatiques puis réactivez-le lorsqu'un de vos amis veut essayer votre aéronef. Activez le SAFE Select pour vos atterrissages. Après avoir déployé les volets, le SAFE Select réduit votre charge de travail en compensant automatiquement des changements de pas, peu importe la position des gaz. Cela vous aidera donc à maintenir le bon pas et la stabilité pendant l'approche finale. Que vous soyez débutant ou expert, le SAFE Select vous offrira une expérience de vol incroyable.

Lorsque vous suivez la procédure normale d'affectation, le système SAFE Select est désactivé, permettant ainsi à la technologie AS3X de vous offrir une expérience en vol pure et illimitée.

Paramétrage de l'émetteur (BNF Basic)

IMPORTANT: Après avoir programmé votre modèle, effectuez toujours une affectation pour revalider les positions de FailSafe.

Double-débattements

Effectuez les premiers vols en petits débattements. Pour les atterrissages, utilisez les grands débattements à la profondeur.

REMARQUE: Afin d'assurer le fonctionnement optimal du système AS3X, n'utilisez pas des valeurs de débattements inférieures à 50%. Si vous souhaitez utiliser des débattements plus faibles, ajustez manuellement la position de la tringlerie sur le palonnier de servo.

REMARQUE: Si une oscillation se produit à vitesse élevée, consultez le guide de dépannage pour des informations complémentaires.

Expo

Après les premiers vols, vous pourrez ajuster l'expo à l'émetteur.

Train d'atterrissage rétractable

Déplacez l'interrupteur du Canal 5 (train d'atterrissage) pour rentrer ou déployer le train d'atterrissage rétractable.

Configuration d'un émetteur de la série NX

- Mettez l'émetteur en marche, cliquez sur la molette, allez à **System Setup (Configuration du système)** et cliquez sur la molette. Sélectionnez **YES (OUI)**.
- Allez à **Model Select (Sélectionner un modèle)** et choisissez **Add New Model (Ajouter un nouveau modèle)** au bas de la liste. Sélectionnez **Airplane Model Type (Type de modèle d'avion)** en choisissant l'image de l'avion, sélectionnez **Create (Créer)**.
- Paramétrez le **Model Name (Nom du modèle)** : entrez un nom pour votre fichier de modèle.
- Allez à **Aircraft Type (Type d'appareil)** et faites défiler jusqu'à la sélection de l'aile, sélectionnez **Wing (Aile) : Normal ; Tail (Queue) : Normal**
- Sélectionnez **Main Screen (Écran principal)**, cliquez sur la molette pour entrer dans la **Function List (Liste des fonctions)**.
- Allez à **Configuration des servos, inversion** : Inverser le canal **GER**
- Rendez-vous dans le menu **D/R (Dual Rate) and Expo (Double débattement et expo)** pour paramétrer le double débattement et l'expo.
- Paramétrez **Rates and Expo (Débattements et expo) : Aileron**
Paramétrez **Switch (Commutateur) : Switch F (Commutateur F)**
Paramétrez **High Rates (Grands débattements) : 100 %, Expo 10 % – Low Rates (Faibles débattements) : 70 %, Expo 5 %**
- Paramétrez **Rates and Expo (Débattements et expo) : Elevator (Gouverne de profondeur)**
Paramétrez **Switch (Commutateur) : Switch C (Commutateur C)**
High Rates (Grands débattements) : 100 %, Expo 10 % – Low Rates (Faibles débattements) 70 %, Expo 5 %
- Paramétrez **Rates and Expo (Débattements et expo) : Rudder (Gouverne de direction)**
Paramétrez **Switch (Commutateur) : Switch G (Commutateur G)**
High Rates (Grands débattements) : 100 %, Expo 10 % – Low Rates (Faibles débattements) 70 %, Expo 5 %
- Paramétrez **Throttle Cut (Coupure des gaz) ; Switch (Commutateur) : Switch H (Commutateur H), Position : -100 %**

Alarmes de télémétrie

Rx V / Min. Rx V	4.2V
ESC Smart / Alarme de tension faible	3.4V
Batterie Smart / Volts de démarrage minimum	4.0V

Configuration d'un émetteur de la série DX

- Mettez l'émetteur en marche, cliquez sur la molette, allez à **System Setup (Configuration du système)** et cliquez sur la molette. Sélectionnez **YES (OUI)**.
- Allez à **Model Select (Sélectionner un modèle)** et choisissez **Add New Model (Ajouter un nouveau modèle)** au bas de la liste. Le système demande si vous souhaitez créer un nouveau modèle, sélectionnez **Create (Créer)**.
- Paramétrez le **Model Type (Type de modèle)** : Sélectionnez le **Airplane Model Type (Type de modèle d'avion)** en choisissant l'avion. Le système vous demande de confirmer le type de modèle, les données seront réinitialisées. Sélectionnez **YES (OUI)**.
- Paramétrez le **Model Name (Nom du modèle)** : entrez un nom pour votre fichier de modèle.
- Allez à **Aircraft Type (Type d'appareil)** et faites défiler jusqu'à la sélection de l'aile, sélectionnez **Wing (Aile) : Normal ; Tail (Queue) : Normal**
- Sélectionnez **Main Screen (Écran principal)**, cliquez sur la molette pour entrer dans la **Function List (Liste des fonctions)**.
- Allez à **Configuration des servos, inversion** : Inverser le canal **GER**
- Paramétrez **D/R (Dual Rate) and Expo (Double débattement et expo) : Aileron**
Paramétrez **Switch (Commutateur) : Switch F (Commutateur F)**
Paramétrez **High Rates (Grands débattements) : 100 %, Expo 10 % – Low Rates (Faibles débattements) : 70 %, Expo 5 %**
- Paramétrez **D/R (Dual Rate) and Expo (Double débattement et expo) : Elevator (Gouverne de profondeur)**
Paramétrez **Switch (Commutateur) : Switch C (Commutateur C)**
High Rates (Grands débattements) : 100 %, Expo 10 % – Low Rates (Faibles débattements) 70 %, Expo 5 %
- Paramétrez **D/R (Dual Rate) and Expo (Double débattement et expo) : Rudder (Gouverne de directions)**
Paramétrez **Switch (Commutateur) : Switch G (Commutateur G)**
High Rates (Grands débattements) : 100 %, Expo 10 % – Low Rates (Faibles débattements) 70 %, Expo 5 %
- Paramétrez **Throttle Cut (Coupure des gaz) ; Switch (Commutateur) : Switch H (Commutateur H), Position : -100 %**

Configuration d'un émetteur de la série iX

1. Mettez l'émetteur en marche et commencez dès que l'application Spektrum Airware est ouverte. Sélectionnez l'icône du crayon orange dans le coin supérieur gauche de l'écran, le système demande l'autorisation de **Turn Off RF (Désactiver la RF)**, sélectionnez **PROCEED (POUR SUIVRE)**.
2. Sélectionnez les trois points en haut à droite de l'écran, sélectionnez **Add a New Model (Ajouter un nouveau modèle)**.
3. Sélectionnez **Model Option (Option de modèle)**, choisissez **DEFAULT (PAR DÉFAUT)**, sélectionnez **Airplane (Avion)**. Le système demande si vous souhaitez créer un nouveau modèle acro, sélectionnez **Create (Créer)**.
4. Sélectionnez le dernier modèle sur la liste, appelé **Acro**. Tapez sur Acro et renommez le fichier avec un nom de votre choix.
5. Maintenez enfoncée la flèche retour dans le coin supérieur gauche de l'écran pour revenir à l'écran principal.
6. Accédez au menu **Model Setup (Configuration du modèle)**. Sélectionnez **Aircraft Type (Type d'appareil)**. Le système demande l'autorisation de **Turn Off RF (Désactiver la RF)**, sélectionnez **PROCEED (POUR SUIVRE)**. Touchez l'écran pour sélectionner l'aile. Sélectionnez **Wing (Aile) : Normal ; Tail (Queue) : Normal**.
7. Maintenez enfoncée la flèche retour dans le coin supérieur gauche de l'écran pour revenir à l'écran principal.
8. Accédez au menu **Model Adjust (Ajustement du modèle)**.
9. Allez à **Configuration des servos, inversion** : Inverser le canal **GER**
10. Paramétrez **Dual Rates and Expo (Doubles débattements et expo)** : Sélectionnez **Aileron**
 Paramétrez **Switch (Commutateur) : Switch F (Commutateur F)**
 Paramétrez **High Rates (Grands débattements) : 100 %, Expo 10 % – Low Rates (Faibles débattements) : 70 %, Expo 5 %**
11. Paramétrez **Dual Rates and Expo (Doubles débattements et expo)** : Sélectionnez **Elevator (Gouverne de profondeur)**
 Paramétrez **Switch (Commutateur) : Switch C (Commutateur C)**
High Rates (Grands débattements) : 100 %, Expo 10 % – Low Rates (Faibles débattements) : 70 %, Expo 5 %
12. Paramétrez **Dual Rates and Expo (Doubles débattements et expo)** : Sélectionnez **Rudder (Gouverne de direction)**
 Paramétrez **Switch (Commutateur) : Switch G (Commutateur G)**
High Rates (Grands débattements) : 100 %, Expo 10 % – Low Rates (Faibles débattements) : 70 %, Expo 5 %
13. Paramétrez **Throttle Cut (Coupure des gaz) ; Switch (Commutateur) : Switch H (Commutateur H), Position : -100 %**

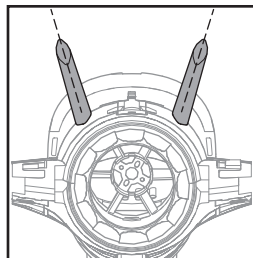
Assemblage du modèle

Installation de la dérive ventrale

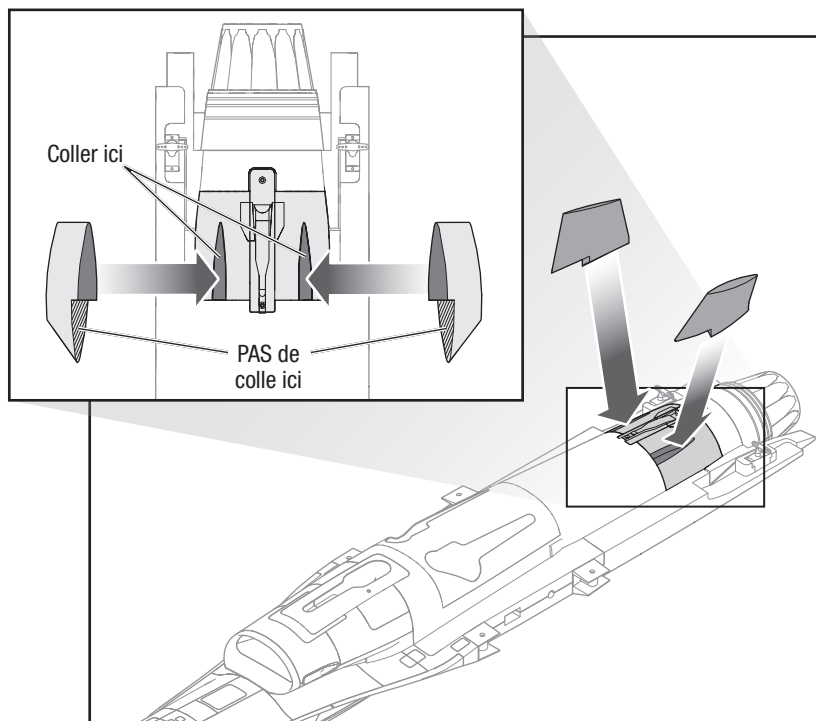
1. Nettoyez les surfaces d'assemblage sur les dérives ventrales et le capot de la soufflante avec une serviette en papier imbibée d'alcool pour enlever toute trace de poussière ou éclat de peinture avant d'appliquer la colle.
2. Utilisez de la colle CA moyenne pour coller les dérives ventrales au capot de la soufflante. Appliquez une fine couche de colle CA moyenne dans le logement pour les dérives sur le capot de la soufflante.

IMPORTANT : N'appliquez pas de colle sur les moitiés avant des dérives ventrales, à l'endroit où elles rejoignent le fuselage. Les dérives ventrales ne doivent être collées qu'au capot de la soufflante. Si les moitiés avant des dérives ventrales avant sont collées au fuselage, le capot de la soufflante ne pourra pas être retiré pour accéder à la soufflante.

3. Insérez les dérives ventrales dans le capot de la soufflante comme illustré sur le schéma à droite. Vérifiez que les dérives ventrales sont orientées vers l'extérieur, comme illustré ci-dessous.
4. Appuyez sur les dérives ventrales pour bien les placer et essuyez tout excès de colle avec une serviette en papier.
5. La maquette sur le dos, maintenez les dérives ventrales bien en position pendant que la colle sèche.

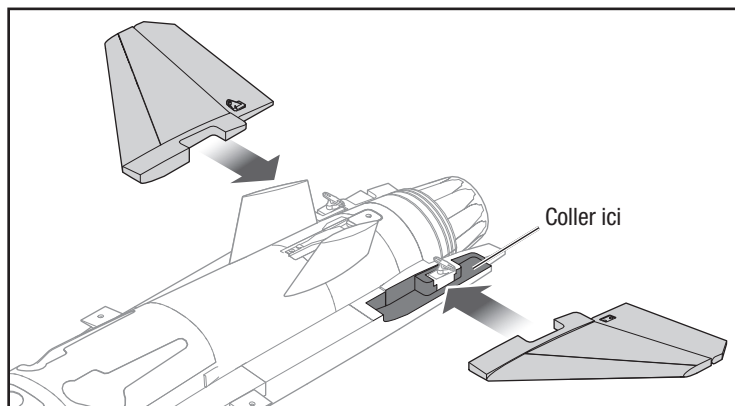


Vérifiez que les dérives ventrales sont orientées vers l'extérieur.



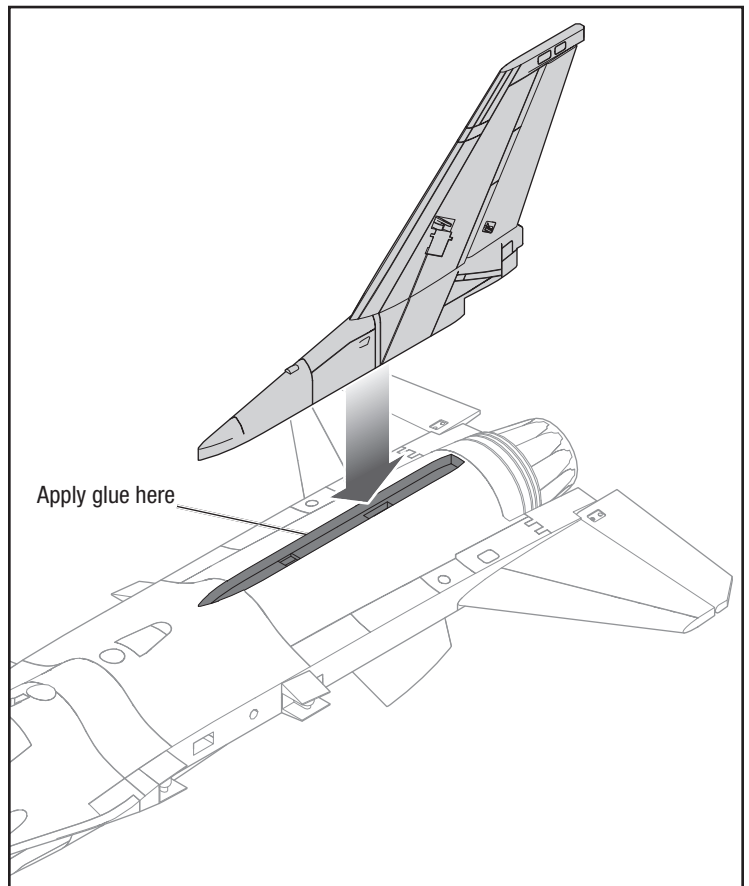
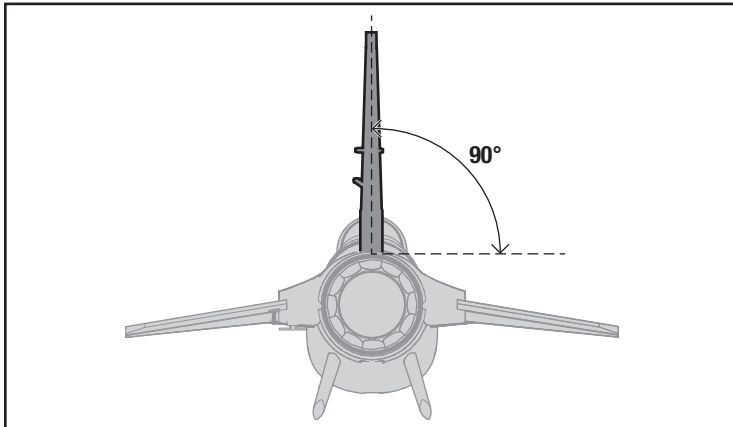
Installation des stabilisateurs horizontaux

1. Nettoyez les surfaces d'assemblage sur les stabilisateurs horizontaux et le fuselage avec une serviette en papier imbibée d'alcool pour enlever toute trace de poussière ou éclat de peinture avant d'appliquer la colle.
2. À l'aide d'une colle CA moyenne, appliquez une fine couche sur les surfaces de montage des stabilisateurs horizontaux du fuselage, en gris foncé sur l'illustration.
3. Installez les stabilisateurs horizontaux sur le fuselage comme indiqué.
4. Appuyez sur les stabilisateurs horizontaux pour bien les placer et essuyez tout excès de colle avec une serviette en papier.
5. La maquette retournée, maintenez stabilisateurs bien en position pendant que la colle sèche.



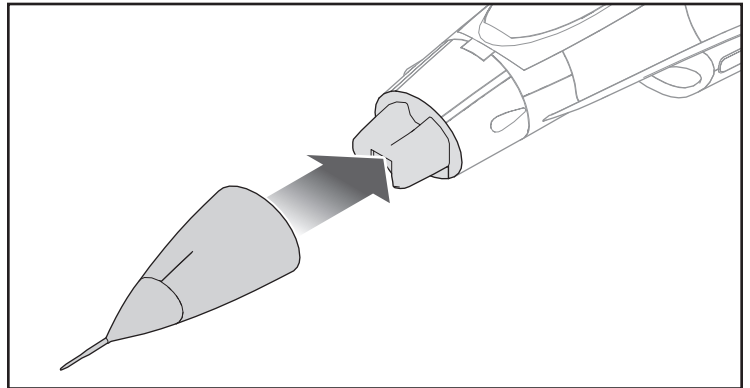
Installation des stabilisateurs verticaux

1. Connectez le servo de direction à la rallonge de servo logée dans la cavité. Vérifiez que le servo marche correctement grâce à votre télécommande avant de continuer.
2. Nettoyez les surfaces d'assemblage sur les stabilisateurs verticaux et le fuselage avec une serviette en papier imbibée d'alcool pour enlever toute trace de poussière ou éclat de peinture.
3. Remettez en place dans la cavité le fil du servo de direction et le connecteur.
4. Appliquez une fine couche de colle CA moyenne dans la cavité de montage des stabilisateurs verticaux du fuselage, comme indiqué en foncé sur l'illustration.
5. Installez les stabilisateurs verticaux sur le fuselage comme indiqué.
6. Appuyez sur les stabilisateurs verticaux pour les mettre en place. Essuyez l'excédent de colle avec une serviette en papier.
7. La maquette droite et bien à niveau, maintenez les stabilisateurs verticaux bien alignés pendant que la colle sèche.



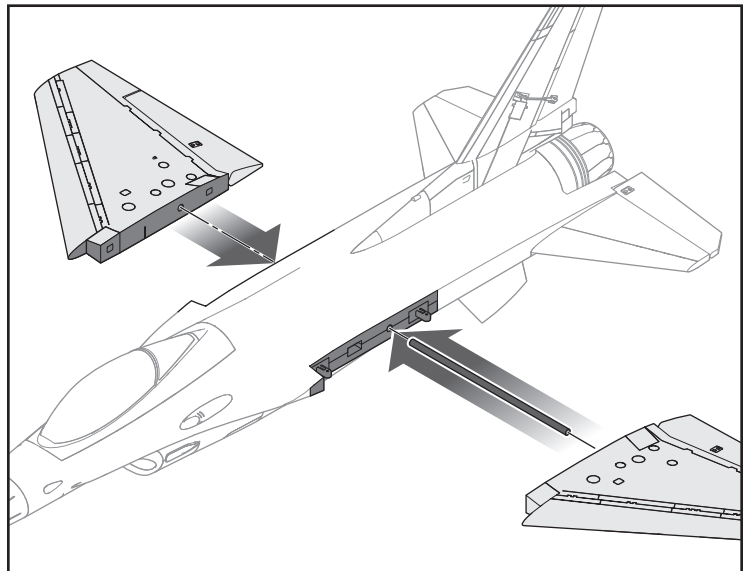
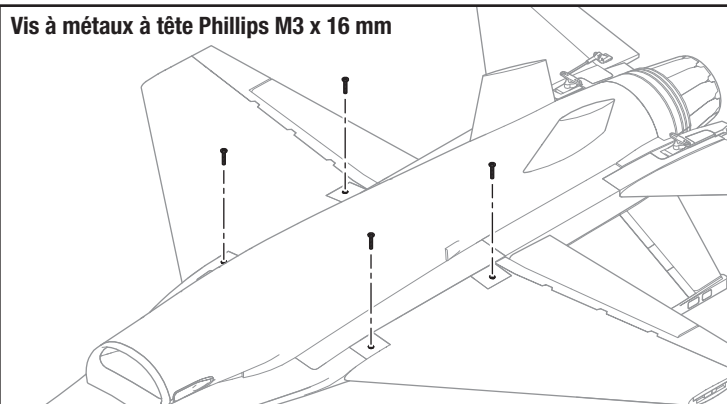
Installation du cône de nez

Glissez le cône de nez en place comme indiqué. Le cône de nez est maintenu en place magnétiquement.



Installation de l'aile

1. Glissez le tube d'aile dans le fuselage.
2. Glissez les ailes sur le tube d'aile.
3. Fixez bien les moitiés d'ailes par le dessous à l'aide des quatre vis 3 x 16 mm fournies et d'un tournevis cruciforme n° 2.

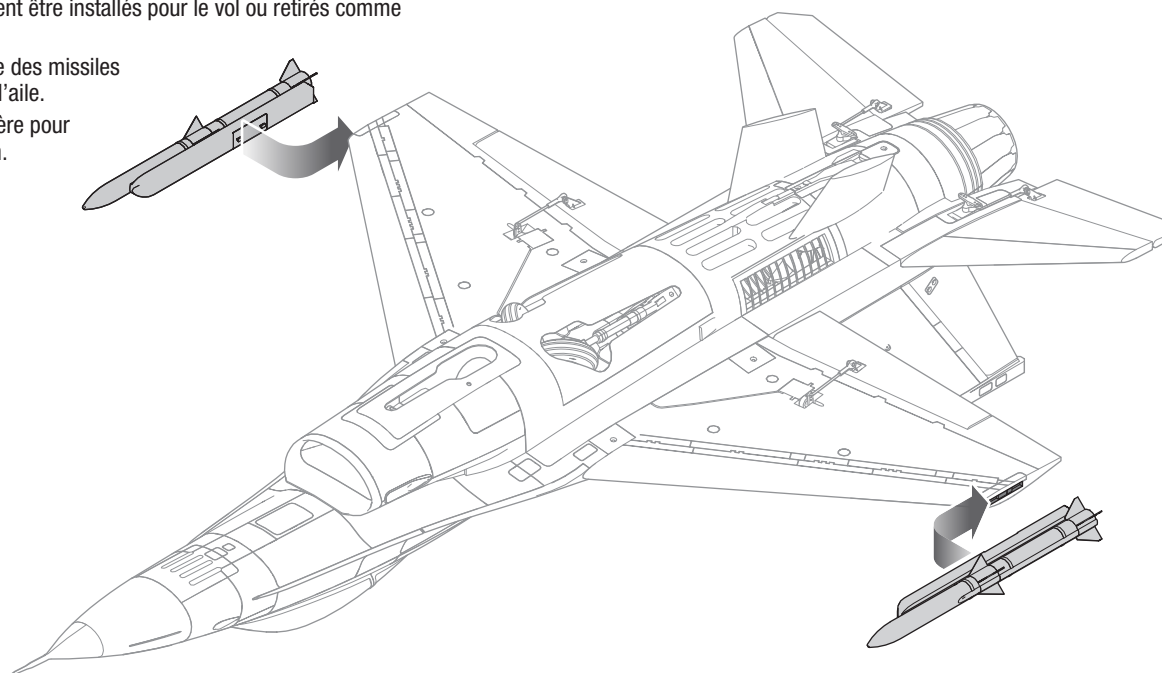


Accessoires maquette *Facultatif*

Les missiles d'extrémités d'ails peuvent être installés pour le vol ou retirés comme bon vous semble.

1. Insérez les languettes de montage des missiles dans la fente de fixation en bout d'aile.
2. Faites glisser le missile vers l'arrière pour verrouiller la languette en position.

Démontez dans l'ordre inverse.

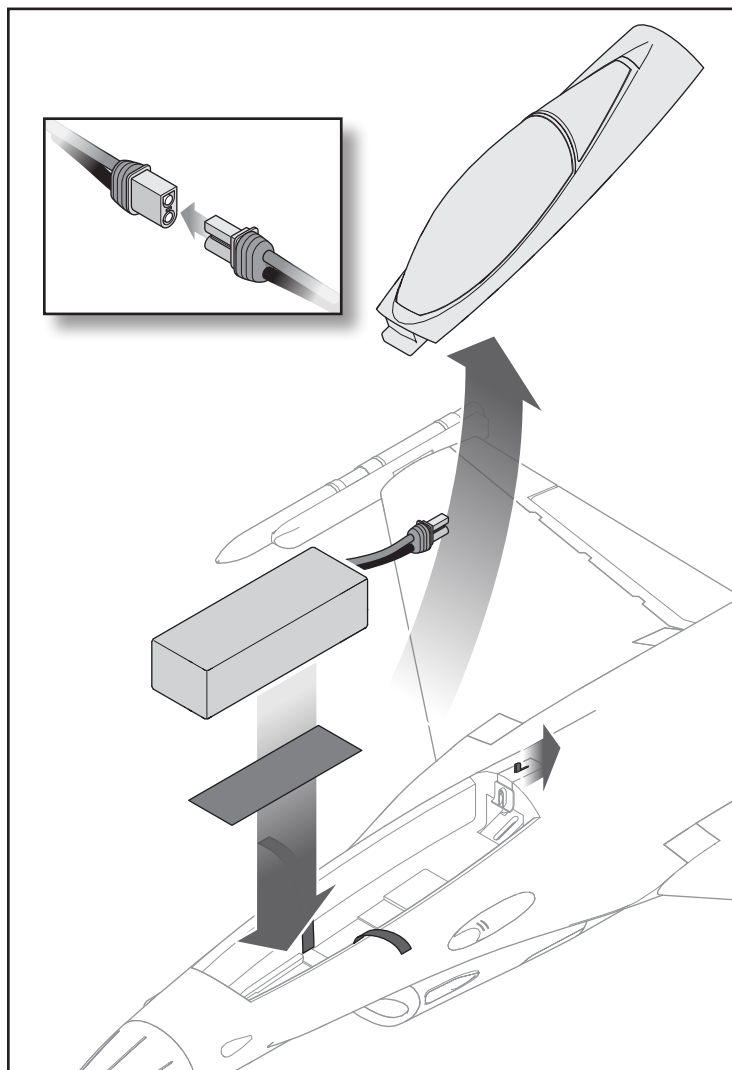


Installation de la batterie de vol

Choix de la batterie

Il est recommandé d'utiliser la batterie Spektrum 3 200 mAh 22,2 V 6S 30 C Li-Po (SPMX32006S30). Consultez la liste des pièces disponibles en option pour connaître les autres batteries recommandées. Si vous utilisez une autre batterie que celles indiquées, elle doit être dans la même gamme de capacité, de dimensions et de poids que les packs de batteries Spektrum Li-Po pour s'insérer dans le fuselage. Assurez-vous que le modèle est équilibré au niveau du centre de gravité (CG) recommandé avant de le faire voler.

1. Mettez les gaz à la position la plus basse.
2. Allumez l'émetteur, puis attendez 5 secondes.
3. Faites coulisser le verrou de la trappe vers l'arrière et soulevez la trappe pour la détacher du fuselage.
4. Appliquez le côté boucles de la fermeture auto-agrippante sur le bas de votre batterie. Appliquez le côté crochets à l'intérieur du compartiment de batterie.
5. Installez la batterie entièrement chargée au milieu du compartiment de batterie.
6. Fixez la batterie à l'aide des bandes velcro installées.
7. Raccordez la batterie au variateur ESC. Le variateur ESC est maintenant armé. Maintenez l'appareil immobile et à l'abri du vent, droit et sur une surface plane, faute de quoi le système ne démarrera pas. Lorsque le modèle s'initialise, le moteur émet une seule tonalité suivie immédiatement de trois ou quatre tonalités indiquant le nombre de cellules de la batterie connectée. La DEL du récepteur s'allume.
8. Réinstallez la trappe de batterie en veillant à ce que le loquet s'enclenche complètement.



Failsafe et Conseils généraux pour affectation BNF

- Le récepteur inclus a été spécifiquement programmé pour être utilisé avec cet appareil. Reportez-vous au manuel du récepteur pour la configuration appropriée en cas de remplacement de celui-ci.
- Éloignez-vous des larges objets métalliques lors de l'affectation.
- Ne pointez pas l'antenne de l'émetteur directement en direction du récepteur lors de l'affectation.
- Le témoin orange sur le récepteur clignote rapidement lorsque le récepteur passe en mode d'affectation.
- Une fois affecté, le récepteur conservera ses réglages d'affectation pour cet émetteur jusqu'à ce que vous effectuiez une nouvelle affectation.
- En cas de perte de communication entre le récepteur et l'émetteur, le mode sécurité intégrée est activé. La sécurité intégrée fait passer le canal des gaz à la position de faible ouverture des gaz. Les voies de tangage et de roulis travaillent en déplacement pour stabiliser activement l'avion dans un virage descendant.
- En cas de problème, consultez le guide de dépannage ou, si besoin, contactez le service après-vente d'Horizon adéquat.

Affectation (Binding) de l'émetteur au récepteur / Activation et désactivation SAFE Select BNF

La version BNF Basic de cet appareil comporte la technologie SAFE Select, qui vous permet de choisir le niveau de protection en vol. Le mode SAFE comprend des limiteurs d'angles et une stabilisation automatique. Le mode AS3X donne au pilote une réponse directe aux manches de commande. SAFE Select est activé ou désactivé lors du processus d'affectation.

Avec SAFE Select désactivé, l'appareil est toujours en mode AS3X. Avec SAFE Select activé, l'appareil est constamment en mode SAFE Select, ou un commutateur peut être attribué pour basculer entre le mode SAFE Select et le mode AS3X.

Grâce à la technologie SAFE Select, cet appareil peut être configuré pour être constamment en mode SAFE, constamment en mode AS3X, ou le choix du mode peut être attribué à un commutateur.

IMPORTANT : Avant de procéder à l'affectation, lisez attentivement la section Configuration de l'émetteur de ce manuel et complétez le tableau de configuration de l'émetteur afin de programmer correctement l'émetteur pour cet appareil.

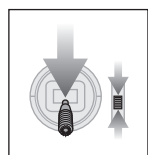
IMPORTANT : Placez les commandes de vol de l'émetteur (gouverne de direction, gouvernes de profondeur, et ailerons) et le trim des gaz en position neutre. Mettez les gaz sur faible ouverture avant et pendant l'affectation. Ce processus définit les réglages de sécurité intégrée.

Vous pouvez utiliser le bouton d'affectation sur le boîtier du récepteur ou la prise d'affectation classique pour terminer l'affectation et la configuration de SAFE Select.

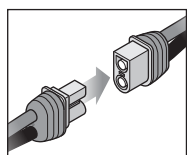
La technologie SAFE Select peut également être activée via la Programmation en aval dans les émetteurs compatibles.

Avec le bouton d'affectation...

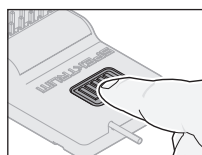
SAFE Select activé



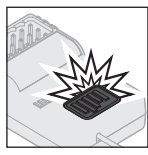
Baissez la manette des gaz



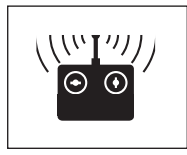
Branchez l'alimentation



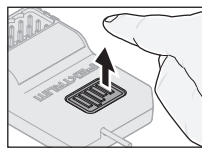
Maintenez appuyé le bouton d'affectation



Témoin orange clignotant



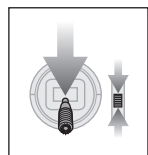
Affectez l'émetteur au récepteur



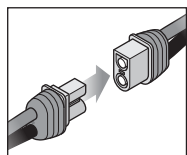
Relâchez le bouton d'affectation

SAFE SELECT ACTIVÉ : Les surfaces de commande effectuent deux cycles d'avant en arrière avec une légère pause en position neutre chaque fois que le récepteur est allumé.

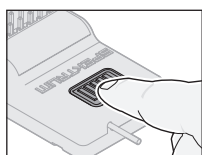
SAFE Select désactivé



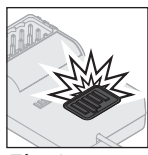
Baissez la manette des gaz



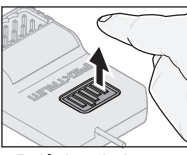
Branchez l'alimentation



Appuyez sur le bouton d'affectation



Témoin orange clignotant



Relâchez le bouton d'affectation

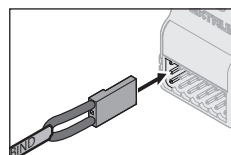


Affectez l'émetteur au récepteur

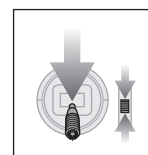
SAFE SELECT DÉSACTIVÉ : Les surfaces de commande effectuent un cycle d'avant en arrière chaque fois que le récepteur est allumé.

Avec la prise d'affectation...

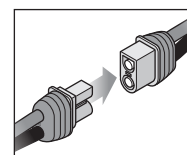
SAFE Select activé



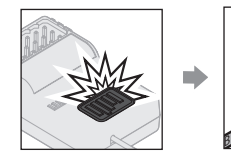
Installez la prise d'affectation



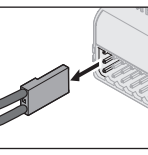
Baissez la manette des gaz



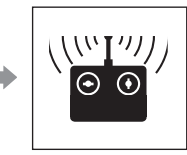
Branchez l'alimentation



Témoin orange clignotant



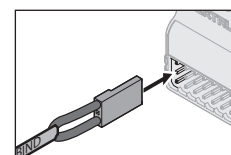
Débranchez la prise d'affectation



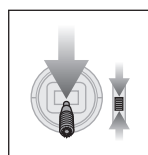
Affectez l'émetteur au récepteur

SAFE SELECT ACTIVÉ : Les surfaces de commande effectuent deux cycles d'avant en arrière avec une légère pause en position neutre chaque fois que le récepteur est allumé.

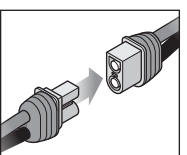
SAFE Select désactivé



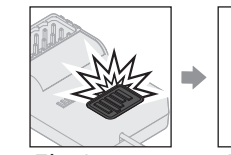
Installez la prise d'affectation



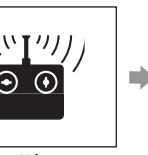
Baissez la manette des gaz



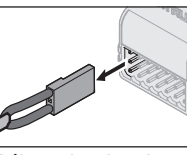
Branchez l'alimentation



Témoin orange clignotant



Affectez l'émetteur au récepteur



Débranchez la prise d'affectation

SAFE SELECT DÉSACTIVÉ : Les surfaces de commande effectuent un cycle d'avant en arrière chaque fois que le récepteur est allumé.

Assignation d'un interrupteur pour la technologie SAFE Select

La technologie SAFE Select peut facilement être assignée à n'importe quel interrupteur (2 ou 3 positions) libre de votre émetteur. Avec cette nouvelle fonction, vous pourrez facilement activer et désactiver la technologie en vol.

IMPORTANT: Avant d'assigner l'interrupteur désiré, assurez-vous que la course pour cette voie est bien réglée à 100% dans les deux directions et les ailerons, la profondeur, la gouverne de direction et la manette des gaz sont tous aux grands débattements avec la course réglée à 100%. Désactivez la coupure des gaz (Throttle Hold) si elle est programmée dans l'émetteur.

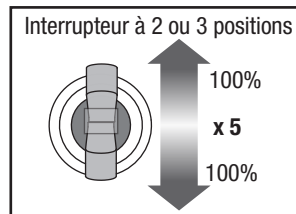
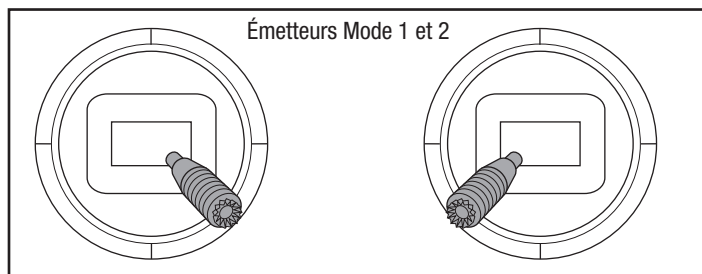
ATTENTION: Gardez toutes les parties du corps bien à l'écart du rotor, des prises d'air et du tube de sortie et gardez l'aéronef fermement retenu en cas d'activation accidentelle de la manette des gaz.

Assignation d'un interrupteur

1. Affectez correctement votre modèle pour activer le SAFE Select. Cela permettra au système d'être assigné à un interrupteur.
2. Maintenez les manches dans les coins inférieurs intérieurs et basculez l'interrupteur choisi 5 fois (1 basculement = aller-retour complet sur l'interrupteur) pour assigner cet interrupteur. Les gouvernes de l'avion bougeront, indiquant que l'interrupteur a été sélectionné.

Répétez le processus pour assigner un autre interrupteur ou pour désactiver l'interrupteur actuel si vous le désirez.

REMARQUE: Le SAFE Select peut être assigné à n'importe quelle voie libre 5-9.



Réglages aux guignols et aux palonniers de servos

Le tableau de droite représente les positions par défaut des tringleries aux guignols et aux palonniers de servos. Effectuez le premier vol avec ces réglages par défaut avant d'effectuer des modifications.

REMARQUE: Si vous modifiez le réglage par défaut des courses, les valeurs de gain de l'AR636 devront être ajustées. Consultez le manuel du Spektrum AR636 pour effectuer l'ajustement des valeurs de gain.

Installation de liaison

Les tringleries d'ascenseur doivent être installées une fois la queue collée.

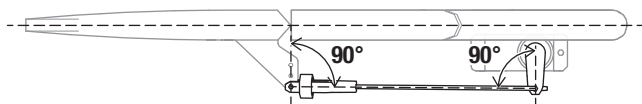
1. Insérez l'extrémité pliée en Z de la tringlerie dans le trou approprié du palonnier du servo, comme indiqué dans le tableau de droite.
2. Connectez la rotule au klaxon de commande comme indiqué dans le tableau de droite.

Démontez dans l'ordre inverse.

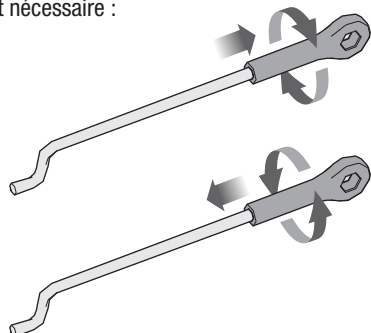
Centrage des gouvernes

Pendant le montage, les gouvernes doivent être centrées mécaniquement avec les servos en position neutre.

Montez la maquette, configurez l'émetteur, couplez l'émetteur au récepteur de l'avion, puis réglez tous les trims et sub-trims sur 0. Lorsque la maquette est sous tension, effectuez les derniers ajustements nécessaires pour que toutes les gouvernes de vol soient centrées.



Si un ajustement est nécessaire :



- Faites tourner la tringlerie dans le sens horaire ou anti-horaire jusqu'à obtenir la longueur adéquate et que la gouverne soit centrée.
- Fixez la tringlerie au renvoi de commande après l'ajustement.

Réglages d'usine	Renvois	Bras
Gouverne de profondeur		
Gouverne de direction		
Ailerons		

Vous pourrez ensuite décider d'ajuster la position des tringleries en fonction de la réponse de commande souhaitée. Se référer au tableau ci-dessous.

REMARQUE : La modification des coudes de commande par rapport aux réglages d'usine nécessitera peut-être l'ajustement des valeurs de gain du AR631. Consultez le manuel du Spektrum AR631 pour obtenir des consignes d'ajustement des valeurs de gain.

Réglage	Renvois	Bras
Augmentation du coude de commande		
Réduction du coude de commande		

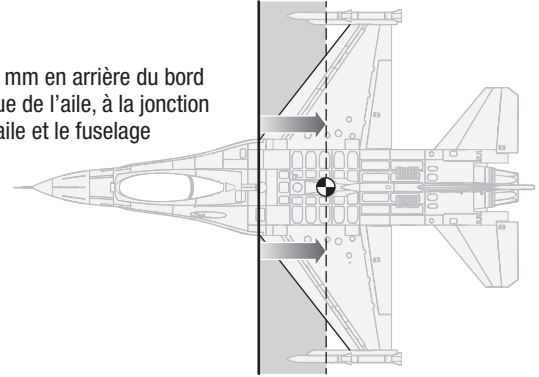
Centre de gravité (CG)

REMARQUE : installez la batterie dans l'avion, mais n'armez pas l'ESC pendant la vérification du CG. Des blessures pourraient en résulter.

L'emplacement du CG est mesuré à 90-110 mm en arrière du bord d'attaque de l'aile, à la jonction entre l'aile et le fuselage. Mesurez l'emplacement du CG avec la batterie recommandée (SPMX32006S30) installée et le train d'atterrissage déployé.

Ajustez la batterie vers l'avant ou vers l'arrière selon les besoins pour obtenir l'emplacement correct du CG.

90-110 mm en arrière du bord d'attaque de l'aile, à la jonction entre l'aile et le fuselage



Test de contrôle de la direction

Allumez l'émetteur et raccordez la batterie. Utilisez l'émetteur pour commander l'aileron, la gouverne de profondeur et la gouverne de direction. Regardez l'appareil de l'arrière pour vérifier les directions de commande.

Gouvernes de profondeur

1. Tirez le manche de la gouverne de profondeur en arrière. Les gouvernes de profondeur s'élèvent, ce qui fera cabrer l'appareil.
2. Poussez le manche de la gouverne de profondeur vers l'avant. Les gouvernes de profondeur s'abaissent, ce qui fera descendre l'appareil.

Ailerons

1. Déplacez le manche de l'aileron vers la gauche. Les ailerons gauche s'élèvent et les ailerons droit s'abaissent, ce qui fera se pencher l'appareil vers la gauche.
2. Déplacez le manche de l'aileron vers la droite. Les ailerons droit s'élèvent et les ailerons gauche s'abaissent, ce qui fera se pencher l'appareil vers la droite.

Gouverne de direction

1. Déplacez le manche de la gouverne de direction vers la gauche. La gouverne se déplace vers la gauche, ce qui fera effectuer à l'appareil un lacet vers la gauche.
2. Déplacez le manche de la gouverne de direction vers la droite. La gouverne se déplace vers la droite, ce qui fera effectuer à l'appareil un lacet vers la droite.

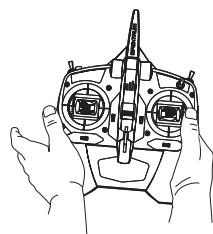
	Commande de l'émetteur	Réponse des gouvernes
Profondeur		
Ailerons		
Dérive		

Réglage des trims en vol (BNF Basic)

Effectuez le réglage des trims durant le premier vol, placez l'avion en palier à 3/4 des gaz avec les volets rentrés. Effectuez de petites corrections aux trims pour obtenir une trajectoire parfaitement rectiligne.

Après avoir effectué le réglage des trims, ne touchez plus les manches durant 3 secondes. Le récepteur enregistre les nouveaux réglages pour optimiser l'efficacité de l'AS3X.

Les qualités de vol seront altérées si cette procédure n'est pas respectée.



3 Secondes

Conseils de vol et réparations

Consultez les lois et réglementations locales avant de choisir une zone de vol.

Contrôlez la portée de votre radio

Veuillez contrôler la portée de votre radio avant d'effectuer un vol. Référez-vous aux instructions spécifiques de votre émetteur pour des informations sur le test de portée.

Oscillations

Une fois le système AS3X activé (après la première mise de gaz), vous devrez normalement voir les gouvernes réagir aux mouvements de l'avion. Dans certaines conditions de vol, vous verrez peut-être des oscillations (l'avion bascule d'avant en arrière sur un axe à cause d'un gain trop important). Si l'oscillation apparaît, référéz-vous au Guide de dépannage pour des informations complémentaires.

Décollage

Placez l'avion face au vent. Réglez votre émetteur sur Petits débattements et utilisez l'interrupteur volets pour mettre les volets en "mi-position" ou position décollage. Augmentez progressivement les gaz jusqu'aux 3/4 en dirigeant l'avion grâce à la dérive. Les volets permettent de raccourcir les décollages. Tirez doucement sur la profondeur lorsque la queue du modèle quitte le sol. Une fois en vol, montez à une altitude confortable puis basculez l'interrupteur des volets pour les placer en position à plat.

Vol

Pour vos premiers vols avec la batterie recommandée (EFLB32006S30), réglez la minuterie de votre émetteur ou votre montre à 5 minutes. Après cinq minutes, faites atterrir le modèle. Ajustez la durée des vols une fois que vous aurez fait voler le modèle. Posez immédiatement le modèle quand la puissance au moteur baisse et rechargez la batterie. Consultez la section relative au LVC pour des informations complémentaires sur l'entretien et l'autonomie de la batterie.

Atterrissage

Faites atterrir votre modèle face au vent. Utilisez un peu de gaz pour l'intégralité de la descente. Baissez les gaz à 1/4 et basculez l'interrupteur Volets pour déployer les volets en position atterrissage ou "complètement en bas". **Les volets permettront d'effectuer une approche d'atterrissage plus prononcée et plus lente et donc un atterrissage plus doux.**

Conservez des gaz jusqu'au moment où l'avion commence l'arrondi. Durant l'arrondi, conservez les ailes parallèles au sol et l'avion pointé vers le vent. Baissez doucement les gaz tout en tirant sur la profondeur pour poser l'avion sur son train d'atterrissage.

Si vous atterrissez sur l'herbe, il est conseillé de tirer fortement sur le manche de profondeur afin d'éviter que l'avion passe sur le nez.

Une fois sur l'herbe, évitez les changements brusques de direction afin d'éviter de froter les saumons des ailes sur le sol.

REMARQUE: Si le crash est imminent, réduisez complètement les gaz et le trim. Un non-respect de cette consigne risque de provoquer des dégâts supplémentaires et d'endommager le contrôleur et le moteur.

REMARQUE: Après un impact, assurez-vous toujours que le récepteur est bien fixé dans le fuselage. Si vous remplacez le récepteur, installez le nouveau récepteur avec la même orientation que le récepteur d'origine au risque de causer des dommages.

REMARQUE: Les dommages causés par un crash ne sont pas couverts par la garantie.

REMARQUE: Une fois votre vol terminé, ne laissez pas le modèle en plein soleil ou ne le placez pas dans un endroit clos et chaud, comme une voiture par exemple. Vous risqueriez d'endommager le modèle.

Coupure par tension faible (LVC)

Lorsqu'une batterie Li-Po a été déchargée en-deçà de 3V par élément, elle ne conservera pas une charge. Le contrôleur protège la batterie de vol contre une décharge trop importante en enclenchant la coupure par tension faible (LVC= Low Voltage Cutoff). Avant que la charge de la batterie ne diminue trop, le système de Coupure par tension faible (LVC) déconnecte la tension d'alimentation du moteur. La puissance vers le moteur baisse, montrant ainsi qu'il reste une certaine réserve de puissance de batterie pour garder le contrôle en vol et permettre un atterrissage en toute sécurité.

Déconnectez et retirez la batterie Li-Po de l'appareil après utilisation afin d'éviter une décharge au goutte à goutte. Chargez votre batterie Li-Po à environ la moitié de sa capacité avant de la stocker. Pendant le stockage, assurez-vous que la charge de la batterie ne tombe pas en-deçà de 3V par élément. Le LVC n'empêche pas une décharge trop importante de la batterie lors du stockage.

REMARQUE: Voler jusqu'au déclenchement de LVC de manière répétée endommagera la batterie.

Conseil: Contrôlez la tension de votre batterie avant et après le vol en utilisant l'appareil de mesure de tension Li-Po (EFLA111, vendu séparément).

Réparations

Grâce à sa construction en mousse Foam, ce modèle peut être réparé avec différents types de colles (colle chaude, CA normale, epoxy, etc). En cas de pièces non réparables, reportez-vous à la liste des pièces de rechange et effectuez votre commande à l'aide des références d'article. Une liste complète des pièces de rechange et optionnelles figure à la fin de ce manuel.

REMARQUE: L'utilisation d'accélérateur à colle CA peut endommager la peinture de votre modèle. NE manipulez PAS le modèle tant que l'accélérateur n'est pas totalement sec.

Maintenance après vol

1. Déconnectez la batterie de vol du contrôleur.
2. Mettez l'émetteur hors tension.
3. Retirez la batterie du modèle.
4. Rechargez la batterie.

5. Réparez ou remplacez toutes les pièces endommagées.
6. Stockez la batterie hors de l'avion et contrôlez régulièrement sa charge.
7. Prenez note des conditions de vol et des résultats du plan de vol à titre de référence pour la planification de prochains vols.

Choix et installation du récepteur PNP

Le récepteur Spektrum AR631 est recommandé pour cet appareil. Si vous souhaitez installer un autre récepteur, assurez-vous qu'il s'agit au moins d'un récepteur à 6 canaux de pleine portée. Consultez le manuel du récepteur pour les bonnes instructions sur l'installation et le fonctionnement.

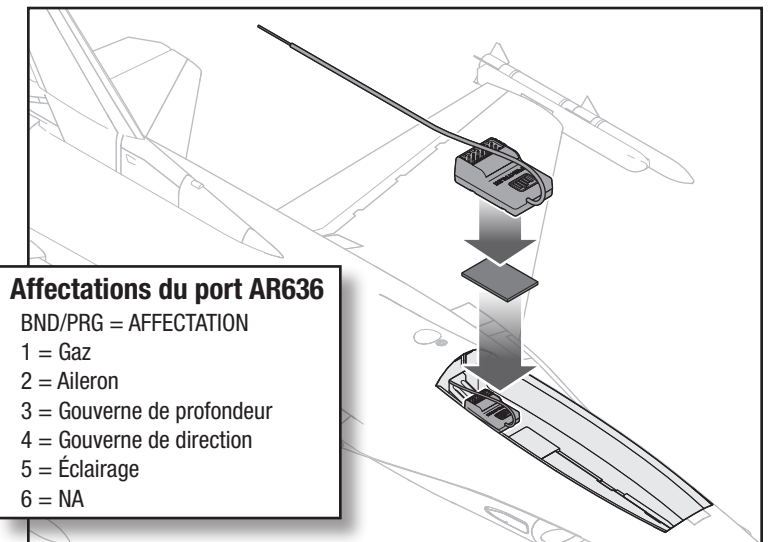
ATTENTION : une installation incorrecte du récepteur peut provoquer un écrasement.

Installation (AR631 en illustration)

1. Retirez la verrière du fuselage.
2. Montez le récepteur parallèle à la longueur du fuselage, comme indiqué, en utilisant du ruban adhésif double-face pour servo.

IMPORTANT : Acheminez l'antenne tout droit à travers le tunnel du fuselage.

3. Fixez les gouvernes appropriées sur leurs ports respectifs du récepteur à l'aide du tableau de droite.



Opération de maintenance sur le moteur

ATTENTION : déconnectez toujours la batterie de vol avant d'effectuer une opération de maintenance sur le moteur.

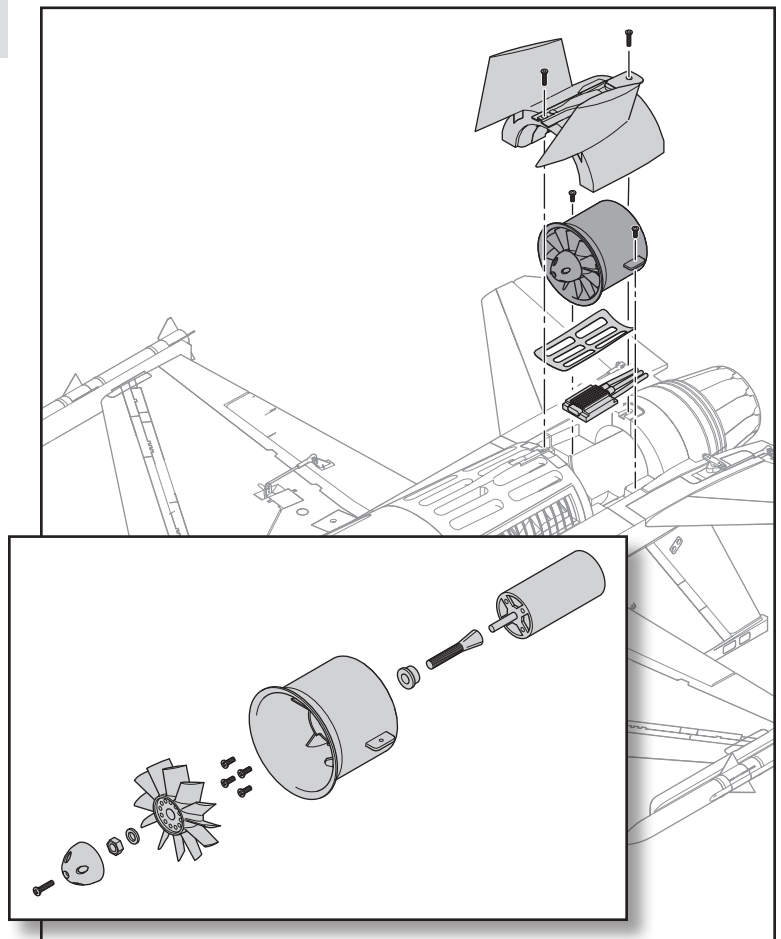
Démontage

1. Retirez les deux vis mécaniques à tête fraisée 3 mm x 10 mm maintenant le capot de la soufflante en position. Retirez le capot de la soufflante
2. Retirez les deux vis autotaraudeuses à tête fraisée 3 mm x 12 mm maintenant le boîtier de soufflante carénée en position.
3. Retirez la vis mécanique 3 mm x 20 mm qui maintient le cône de l'arbre du moteur. Retirez le cône.
4. Saisissez délicatement la turbine et retirez l'écrou à tête hexagonale qui maintient la soufflante sur l'arbre du moteur. Retirez la soufflante.
5. Retirez l'adaptateur de la soufflante de l'arbre du moteur.
6. Retirez les quatre vis mécaniques 3 mm x 6 mm et le moteur du boîtier de soufflante.
7. Débranchez les câbles du moteur des câbles du variateur ESC.

Montez dans l'ordre inverse.

Lors du remontage de l'ensemble moteur et soufflante :

- Alignez et connectez les fils du moteur aux fils du variateur ESC en respectant les couleurs.
- Veillez à ce que la soufflante soit installée avec l'avant orienté vers le nez de l'avion.
- Un outil est nécessaire pour serrer l'écrou sur le rotor et la bague de serrage.
- Assurez-vous qu'aucun câble n'est coincé par l'un des composants actifs.
- Assurez-vous que le cache du variateur ESC est correctement collé au fuselage.
- Assurez-vous que le cône est entièrement connecté pour un fonctionnement sécurisé.



Guide de dépannage AS3X

Problème	Cause Possible	Solution
Oscillations	Hélice ou cône endommagé	Remplacez l'hélice ou le cône
	Hélice déséquilibrée	Équilibrez l'hélice. Pour plus d'informations, regardez la vidéo de John Redman sur l'équilibrage des hélices sur www.horizonhobby.com
	Vibration du moteur	Remplacez les pièces endommagées et contrôlez le serrage et l'alignement des pièces
	Récepteur mal fixé	Réalignez et refixez le récepteur
	Commandes desserrées	Resserrez et vérifiez l'état des pièces (servos, palonniers, tringleries, guignols et gouvernes)
	Pièces usées	Remplacez les pièces usées (hélice, cône ou servo)
	Fonctionnement erratique du servo	Remplacez le servo
Performances de vol aléatoires	Le trim n'est pas au neutre	Si vous ajustez les trims plus de 8 clics, ajustez la chape pour annuler le trim
	Le sub-trim n'est pas au neutre	L'utilisation des sub-trims n'est pas permise. Réglez directement les tringleries
	L'avion n'est pas resté immobile durant 5 secondes	Avec le manche des gaz à sa position la plus basse, déconnectez la batterie, puis reconnectez-la et maintenez le modèle immobile 5 secondes
Mauvaise réponse de l'appareil aux essais de commande du système AS3X	Paramétrage incorrect des directions des commandes du récepteur, pouvant causer un crash	NE volez PAS. Corrigez les paramètres des commandes (consulter le manuel du récepteur) avant de voler

Guide de dépannage

Problème	Cause Possible	Solution
Le modèle ne répond pas aux gaz mais bien aux autres commandes	Le manche des gaz n'est pas au ralenti (idle) et/ou le trim des gaz est réglé à une valeur trop élevée	Réinitialisez les commandes avec le manche des gaz et le trim des gaz sur la position plus faible possible
	La course du servo des gaz est inférieure à 100%	Assurez-vous que la course du servo des gaz est de 100%
	La voie des gaz est inversée	Inversez la voie des gaz sur l'émetteur
	Moteur déconnecté du contrôleur	Assurez-vous que le moteur est bien connecté au contrôleur
L'hélice fait trop de bruit ou vibre trop	Hélice, cône, adaptateur ou moteur endommagé	Remplacez les pièces endommagées
	Déséquilibre de l'hélice	Équilibrez ou remplacez l'hélice
	Écrou de l'hélice desserré	Resserrez l'écrou
Durée de vol réduite ou manque de puissance du modèle	La charge de la batterie de vol est faible	Rechargez la batterie de vol complètement
	Hélice montée à l'envers	Montez l'hélice correctement avec les chiffres orientés vers l'avant
	Batterie de vol endommagée	Remplacez la batterie de vol et suivez les instructions la concernant
	Les conditions de vol sont peut-être trop froides	Assurez-vous que la batterie est à température avant de l'utiliser
	Capacité de la batterie trop faible pour les conditions de vol	Remplacez la batterie ou utilisez une batterie à plus grande capacité
Le modèle n'accepte pas l'affectation (au cours de la procédure) à l'émetteur	Émetteur trop près du modèle durant la procédure d'affectation	Déplacez l'émetteur allumé à quelques pas du modèle, déconnectez la batterie de vol du modèle et reconnectez-la
	Le modèle ou l'émetteur se trouve trop près d'un objet métallique, d'un réseau sans fil ou d'un autre émetteur	Placez le modèle et l'émetteur à un autre endroit et retentez l'affectation
	La prise affectation n'est pas bien installée dans le port d'affectation	Installez la prise affectation dans le port d'affectation et affectez le modèle à l'émetteur
	La charge de la batterie de vol/de l'émetteur est trop faible	Remplacez/rechargez les batteries
	Bouton ou interrupteur d'affectation n'a pas été pressé assez longtemps pendant l'affectation	Mettez l'émetteur hors tension et répétez la procédure d'affectation. Maintenez le bouton ou l'interrupteur d'affectation jusqu'à ce que le récepteur soit affecté
Le modèle ne veut pas établir la liaison avec l'émetteur (après affectation)	Émetteur trop près de l'aéronef lors du processus d'établissement de liaison	Déplacez l'émetteur allumé à quelques pas du modèle, déconnectez la batterie de vol du modèle et reconnectez-la
	Le modèle ou l'émetteur se trouve trop près d'un objet métallique, d'un réseau sans fil ou d'un autre émetteur	Déplacez le modèle ou l'émetteur à bonne distance et retentez la liaison
	La prise affectation est restée dans le port affectation	Ré-affectez l'émetteur au modèle et retirez la prise affectation avant de redémarrer
	Modèle affecté à une mémoire de modèle différente (émetteur ModelMatch uniquement)	Sélectionnez la bonne mémoire de modèle sur l'émetteur
	La charge de la batterie de vol/de l'émetteur est trop faible	Remplacez/rechargez les batteries
	L'émetteur a peut-être été affecté en utilisant un protocole DSM différent	Affectez le modèle à l'émetteur

Problème	Cause Possible	Solution
Les gouvernes ne bougent pas	Gouverne, guignol, tringlerie ou servo endommagé	Remplacez ou réparez les pièces endommagées et réglez les commandes
	Câblage endommagé ou connexions lâches	Contrôlez les câbles et les connexions, connectez ou remplacez si besoin
	L'émetteur n'est pas affecté correctement ou il y a eu mauvaise sélection du modèle	Effectuez une nouvelle affectation ou sélectionnez le bon modèle dans l'émetteur
	La charge de la batterie de vol est faible	Rechargez la batterie de vol complètement
	Le circuit BEC (Battery Elimination Circuit) du contrôleur est endommagé	Remplacez le contrôleur
Commandes inversées	Les réglages de l'émetteur sont inversés	Effectuez les essais de direction des commandes et réglez les commandes sur l'émetteur en fonction des résultats
L'alimentation moteur se fait par impulsions puis le moteur perd de sa puissance	Le contrôleur utilise la Coupure par tension faible (LVC) par défaut	Rechargez la batterie de vol ou remplacez la batterie qui ne donne plus les performances prévues
	Les conditions météorologiques sont peut-être trop froides	Reportez le vol jusqu'à ce qu'il fasse plus chaud
	La batterie a vieilli, est usée ou endommagée	Remplacez La batterie
	La capacité de la batterie est peut-être trop faible	Utilisez la batterie recommandée

Pièces de rechange

Référence	Description
EFL7801	Fuselage : F-16 Thunderbird 70 mm EDF
EFL7802	Ensemble d'aile : F-16 Thunderbird 70 mm EDF
EFL7803	Stabilisateur vertical : F-16 Thunderbird 70 mm EDF
EFL7804	Stabilisateurs horizontaux : F-16 Thunderbird 70 mm EDF
EFL7805	Missile d'extrémité d'aile-1 : F-16 Thunderbird 70 mm EDF
EFL7807	Cockpit/trappe : F-16 Thunderbird 70 mm EDF
EFL7808	Cône de nez : F-16 Thunderbird 70 mm EDF
EFL7809	Ensemble dérive ventrale : F-16 Thunderbird 70 mm EDF
EFL7811	Ensemble du train d'atterrissage avant : F-16 Thunderbird 70 mm EDF
EFL7812	Ensemble du train d'atterrissage principal : F-16 Thunderbird 70 mm EDF
EFL7814	Système du train avant : F-16 Thunderbird 70 mm EDF
EFL7815	Système du train d'atterrissage principal : F-16 Thunderbird 70 mm EDF
EFL7816	Caches du train d'atterrissage : F-16 Thunderbird 70 mm EDF
EFL7817	Ensemble de tige de liaison : F-16 Thunderbird 70 mm EDF
EFL7818	Tube d'aile : F-16 Thunderbird 70 mm EDF
EFL7819	Jeu de vis : F-16 Thunderbird 70 mm EDF
EFL7820	Ensemble roue : F-16 Thunderbird 70 mm EDF
EFL7821	Lot d'autocollants : F-16 Thunderbird 70 mm EDF
EFL7822	Broches de jambe de rentrée : Soufflante électrique F-16 70 mm
SPMXAE85C	ESC Avian sans balais 85 A Smart Lite, 3S-6S IC5
EFLA7012DF	Soufflante carénée de 70 mm
EFLG325	Système E-Retract du train avant : Soufflante électrique F-16 70 mm

Référence	Description
EFLG326	Système E-Retract du train principal : Soufflante électrique F-16 70 mm
SPMXAM3000	Moteur à rotor intérieur sans balais ; 3060 – 1900 Kv 4 pôles
SPMSA335	Servo numérique 9 g à engrenage métallique A335
SPMSA335R	Servo numérique 9 g à engrenage métallique inversé A335R
SPMAR631	Récepteur AS3X & SAFE 6 canaux AR631

Équipement recommandé

Référence	Description
SPMX32006S30	3 200 mAh 6S 22,2 V Smart 30 C ; IC5
SPMXCA507	Adaptateur : Batterie IC3/dispositif IC5
SPMR6775	Émetteur à 6 canaux NX6 uniquement
SPMXC2080	Chargeur Smart CA 1 x 100 W G2 S1100

Accessoires en option

Référence	Description
SPMR8200	Émetteur à 8 canaux NX8 uniquement
SPMXC2000	Chargeur Smart CA 2 x 100 W G2 S2100
SPMX32006S50	3 200 mAh 6S 22,2 V Smart 50C ; IC5
SPMX40006S50	Batterie 4000 mAh 6S 22,2 V Smart 50C, IC5
SPMX40006S30	Batterie 4000 mAh 6S 22,2 V Smart 30C, IC5
DYN1405	Sac de protection du chargeur de batterie Li-Po, grand
SPM6722	Boîtier pour émetteur d'avion unique Spektrum

Garantie et réparations

Durée de la garantie

Garantie exclusive - Horizon Hobby, LLC (Horizon) garantit que le Produit acheté (le « Produit ») sera exempt de défauts matériels et de fabrication à sa date d'achat par l'Acheteur. La durée de garantie correspond aux dispositions légales du pays dans lequel le produit a été acquis. La durée de garantie est de 6 mois et la durée d'obligation de garantie de 18 mois à l'expiration de la période de garantie.

Limitations de la garantie

- (a) La garantie est donnée à l'acheteur initial (« Acheteur ») et n'est pas transférable. Le recours de l'acheteur consiste en la réparation ou en l'échange dans le cadre de cette garantie. La garantie s'applique uniquement aux produits achetés chez un revendeur Horizon agréé. Les ventes faites à des tiers ne sont pas couvertes par cette garantie. Les revendications en garantie seront acceptées sur fourniture d'une preuve d'achat valide uniquement. Horizon se réserve le droit de modifier les dispositions de la présente garantie sans avis préalable et révoque alors les dispositions de garantie existantes.
- (b) Horizon n'endosse aucune garantie quant à la vendabilité du produit ou aux capacités et à la forme physique de l'utilisateur pour une utilisation donnée du

produit. Il est de la seule responsabilité de l'acheteur de vérifier si le produit correspond à ses capacités et à l'utilisation prévue.

- (c) Recours de l'acheteur – Il est de la seule discrétion d'Horizon de déterminer si un produit présentant un cas de garantie sera réparé ou échangé. Ce sont là les recours exclusifs de l'acheteur lorsqu'un défaut est constaté.

Horizon se réserve la possibilité de vérifier tous les éléments utilisés et susceptibles d'être intégrés dans le cas de garantie. La décision de réparer ou de remplacer le produit est du seul ressort d'Horizon. La garantie exclut les défauts esthétiques ou les défauts provoqués par des cas de force majeure, une manipulation incorrecte du produit, une utilisation incorrecte ou commerciale de ce dernier ou encore des modifications de quelque nature qu'elles soient.

La garantie ne couvre pas les dégâts résultant d'un montage ou d'une manipulation erronés, d'accidents ou encore du fonctionnement ainsi que des tentatives d'entretien ou de réparation non effectuées par Horizon. Les retours effectués par le fait de l'acheteur directement à Horizon ou à l'une de ses représentations nationales requièrent une confirmation écrite.

Limitation des dommages

Horizon ne saurait être tenu pour responsable de dommages conséquents directs ou indirects, de pertes de revenus ou de pertes commerciales, liés de quelque manière que ce soit au produit et ce, indépendamment du fait qu'un recours puisse être formulé en relation avec un contrat, la garantie ou l'obligation de garantie. Par ailleurs, Horizon n'acceptera pas de recours issus d'un cas de garantie lorsque ces recours dépassent la valeur unitaire du produit. Horizon n'exerce aucune influence sur le montage, l'utilisation ou la maintenance du produit ou sur d'éventuelles combinaisons de produits choisies par l'acheteur. Horizon ne prend en compte aucune garantie et n'accepte aucun recours pour les blessures ou les dommages pouvant en résulter. Horizon Hobby ne saurait être tenu responsable d'une utilisation ne respectant pas les lois, les règles ou réglementations en vigueur.

En utilisant et en montant le produit, l'acheteur accepte sans restriction ni réserve toutes les dispositions relatives à la garantie figurant dans le présent document. Si vous n'êtes pas prêt, en tant qu'acheteur, à accepter ces dispositions en relation avec l'utilisation du produit, nous vous demandons de restituer au vendeur le produit complet, non utilisé et dans son emballage d'origine.

Indications relatives à la sécurité

Ceci est un produit de loisirs perfectionné et non un jouet. Il doit être utilisé avec précaution et bon sens et nécessite quelques aptitudes mécaniques ainsi que mentales. L'incapacité à utiliser le produit de manière sûre et raisonnable peut provoquer des blessures et des dégâts matériels conséquents. Ce produit n'est pas destiné à être utilisé par des enfants sans la surveillance par un tuteur. La notice d'utilisation contient des indications relatives à la sécurité ainsi que des indications concernant la maintenance et le fonctionnement du produit. Il est absolument indispensable de lire et de comprendre ces indications avant la première mise en service. C'est uniquement ainsi qu'il sera possible d'éviter une manipulation erronée et des accidents entraînant des blessures et des dégâts. Horizon Hobby ne saurait être tenu responsable d'une utilisation ne respectant pas les lois, les règles ou réglementations en vigueur.

Questions, assistance et réparations

Votre revendeur spécialisé local et le point de vente ne peuvent effectuer une estimation d'éligibilité à l'application de la garantie sans avoir consulté Horizon. Cela

vaut également pour les réparations sous garantie. Vous voudrez bien, dans un tel cas, contacter le revendeur qui conviendra avec Horizon d'une décision appropriée, destinée à vous aider le plus rapidement possible.

Maintenance et réparation

Si votre produit doit faire l'objet d'une maintenance ou d'une réparation, adressez-vous soit à votre revendeur spécialisé, soit directement à Horizon. Emballez le produit soigneusement. Veuillez noter que le carton d'emballage d'origine ne suffit pas, en règle générale, à protéger le produit des dégâts pouvant survenir pendant le transport. Faites appel à un service de messagerie proposant une fonction de suivi et une assurance, puisque Horizon ne prend aucune responsabilité pour l'expédition du produit jusqu'à sa réception acceptée. Veuillez joindre une preuve d'achat, une description détaillée des défauts ainsi qu'une liste de tous les éléments distincts envoyés. Nous avons de plus besoin d'une adresse complète, d'un numéro de téléphone (pour demander des renseignements) et d'une adresse de courriel.

Garantie et réparations

Les demandes en garantie seront uniquement traitées en présence d'une preuve d'achat originale émanant d'un revendeur spécialisé agréé, sur laquelle figurent le nom de l'acheteur ainsi que la date d'achat. Si le cas de garantie est confirmé, le produit sera réparé. Cette décision relève uniquement d'Horizon Hobby.

Réparations payantes

En cas de réparation payante, nous établissons un devis que nous transmettons à votre revendeur. La réparation sera seulement effectuée après que nous ayons reçu la confirmation du revendeur. Le prix de la réparation devra être acquitté au revendeur. Pour les réparations payantes, nous facturons au minimum 30 minutes de travail en atelier ainsi que les frais de réexpédition. En l'absence d'un accord pour la réparation dans un délai de 90 jours, nous nous réservons la possibilité de détruire le produit ou de l'utiliser autrement.

ATTENTION: Nous n'effectuons de réparations payantes que pour les composants électroniques et les moteurs. Les réparations touchant à la mécanique, en particulier celles des hélicoptères et des voitures radiocommandées, sont extrêmement coûteuses et doivent par conséquent être effectuées par l'acheteur lui-même.

10/15

Informations de contact pour garantie et réparation

Pays d'achat	Horizon Hobby	Numéro de téléphone/E-mail	Adresse
Union européenne	Horizon Technischer Service Sales: Horizon Hobby GmbH	service@horizonhobby.eu +49 (0) 4121 2655 100	Hanskampring 9 D 22885 Barsbüttel, Germany

Informations IC

CAN ICES-3 (B)/NMB-3(B)

IC: 6157A-SPMSR6200A

Ce dispositif contient un/des émetteur(s)/récepteur(s) non soumis à licence conforme(s) aux CNR d'Innovation, Sciences et Développement économique Canada. Son utilisation est soumise aux deux conditions suivantes :

1. Cet appareil ne doit pas causer d'interférences.
2. Cet appareil doit accepter toutes les interférences, y compris celles pouvant entraîner un dysfonctionnement.

Informations de conformité pour l'Union européenne



Déclaration de conformité de l'Union européenne :

F-16 Thunderbirds 70mm EDF BNF Basic (EFL178500): Par la présente, Horizon Hobby, LLC déclare que cet appareil est conforme aux directives suivantes : Directive relative aux équipements

radioélectriques 2014/53/UE ; Directive RoHS 2 2011/65/UE ; Directive RoHS 3 - Modifiant 2011/65/UE Annexe II 2015/863.

F-16 Thunderbirds 70mm EDF PNP (EFL013575) Par la présente, Horizon Hobby, LLC déclare que cet appareil est conforme aux directives suivantes : Directive CEM 2014/30/UE ; Directive RoHS 2 2011/65/UE ; Directive RoHS 3 - Modifiant 2011/65/UE Annexe II 2015/863.

Le texte complet de la déclaration de conformité UE est disponible à l'adresse Internet suivante : <https://www.horizonhobby.com/content/support-render-compliance>.

Gamme de fréquences sans fil / Puissance de sortie sans fil:

2404-2476MHz
5.58dBm

Fabricant officiel de l'UE:

Horizon Hobby, LLC
2904 Research Road
Champaign, IL 61822 USA

Importateur officiel de l'UE:

Horizon Hobby, GmbH
Hanskampring 9
22885 Barsbüttel Germany

DIRECTIVE DEEE:



L'étiquette de cet appareil respecte la directive européenne 2012/19/UE en matière de déchets des équipements électriques et électroniques (DEEE). Cette étiquette indique que ce produit ne doit pas être jeté avec les déchets ménagers, mais déposé dans une installation appropriée afin de permettre sa récupération et son recyclage.

AVVISO

Tutte le istruzioni, le garanzie e altri documenti pertinenti sono soggetti a modifiche a totale discrezione di Horizon Hobby, LLC. Per una documentazione aggiornata sul prodotto, visitare il sito www.horizonhobby.com o towerhobbies.com e fare clic sulla sezione Support del prodotto.

CONVENZIONI TERMINOLOGICHE

I seguenti termini vengono utilizzati in tutta la documentazione relativa al prodotto per indicare il livello di eventuali danni connessi all'utilizzo di questo prodotto:

AVVERTENZA: indica procedure che, se non debitamente seguite, determinano la probabilità di danni alle cose, danni collaterali e gravi lesioni alle persone OPPURE una probabilità elevata di lesioni superficiali alle persone.

ATTENZIONE: indica procedure che, se non debitamente seguite, determinano la probabilità di danni alle cose E la possibilità di gravi lesioni alle persone.

AVVISO: indica procedure che, se non debitamente seguite, possono determinare la possibilità di danni alle cose E la possibilità minima o nulla di lesioni alle persone.

 **AVVERTENZA:** leggere PER INTERO il manuale di istruzioni per acquisire dimestichezza con le caratteristiche del prodotto prima di metterlo in funzione. Un uso improprio del prodotto può causare danni al prodotto stesso e ai beni personali e provocare gravi lesioni alle persone.


Questo è un prodotto sofisticato per appassionati di modellismo. Deve essere utilizzato in modo attento e responsabile e richiede alcune conoscenze basilari di meccanica. L'uso improprio o irresponsabile di questo prodotto potrebbe causare lesioni alle persone o danni al prodotto stesso o ad altre cose. Questo prodotto non deve essere utilizzato dai bambini senza la diretta supervisione di un adulto. Non utilizzare componenti incompatibili o modificare il prodotto in maniera diversa da quanto riportato nelle istruzioni fornite da Horizon Hobby, LLC. Il presente manuale contiene le istruzioni per la sicurezza, l'uso e la manutenzione del prodotto. È fondamentale leggere e seguire tutte le istruzioni e le avvertenze riportate nel manuale prima di montare, impostare o usare il prodotto per poterlo utilizzare correttamente ed evitare di causare danni alle cose o gravi lesioni alle persone.

ETÀ CONSIGLIATA: almeno 14 anni. Questo non è un giocattolo.

Precauzioni e avvertenze sulla sicurezza

L'utente di questo prodotto è l'unico responsabile del corretto utilizzo del medesimo in modo tale da non risultare pericoloso per sé stesso e gli altri e da non danneggiare il prodotto stesso o i beni altrui.

- Mantenere sempre la distanza di sicurezza in tutte le direzioni attorno al modello per evitare collisioni o danni. Questo modello è controllato da un segnale radio soggetto a interferenze provenienti da diverse sorgenti non controllabili dall'utilizzatore. Tali interferenze possono provocare perdite momentanee di controllo.
- Utilizzare sempre il modello in spazi liberi da veicoli, traffico e persone.
- Seguire sempre scrupolosamente le istruzioni e le avvertenze sia per il modello che per tutti gli accessori (caricabatteria, pacchi batteria ricaricabili, ecc.).
- Tenere sempre le sostanze chimiche, le parti piccole e i componenti elettrici fuori dalla portata dei bambini.
- Evitare sempre il contatto con l'acqua di tutte le apparecchiature che non sono state appositamente progettate a tale scopo. L'umidità danneggia i componenti elettronici.
- Non mettere in bocca le parti del modello. Potrebbe essere pericoloso e persino mortale.
- Non utilizzare il modello se le batterie della trasmittente sono poco cariche.
- Tenere sempre il velivolo in vista e sotto controllo.
- Usare sempre batterie completamente cariche.
- Tenere sempre la trasmittente accesa quando il velivolo viene alimentato.
- Rimuovere sempre le batterie prima dello smontaggio.
- Tenere sempre pulite le parti mobili.
- Tenere sempre i componenti asciutti.
- Lasciare sempre che i componenti si raffreddino dopo l'uso prima di toccarli.
- Rimuovere sempre le batterie dopo l'uso.
- Accertarsi sempre che il failsafe sia impostato correttamente prima del volo.
- Non utilizzare mai velivoli con cablaggi danneggiati.
- Non toccare mai le parti in movimento.

 **ATTENZIONE AI PRODOTTI CONTRAFFATTI:** se è necessario sostituire la ricevente Spektrum in dotazione con uno dei prodotti Horizon Hobby, si raccomanda di acquistare sempre da Horizon Hobby, LLC o da un suo rivenditore autorizzato per essere certi dell'autenticità e della qualità del prodotto Spektrum. Horizon Hobby, LLC nega ogni assistenza tecnica e garanzia a titolo esemplificativo, ma non esaustivo in merito alla compatibilità e alle prestazioni di prodotti contraffatti o dichiarati compatibili con la tecnologia DSM o Spektrum.

Registrazione

Registra il tuo prodotto oggi stesso per unirti alla nostra mailing list e ricevere tutti gli aggiornamenti sui prodotti, le offerte e le novità E-Flite.



Indice

Utensili necessari.....	47
Tecnologia SAFE Select (BNF Basic).....	48
Impostazioni della trasmittente (BNF Basic).....	48
Montaggio del modello.....	49
Accessori in scala <i>Opzionale</i>	51
Battery Installation and ESC Arming.....	51
Failsafe e suggerimenti generali per Binding BNF.....	52
Connessione fra trasmittente e ricevente / Commutare ON e OFF il SAFE Select BNF.....	52
Assegnazione interruttore per SAFE Select.....	53
Impostazione squadrette e bracci servi.....	53
Baricentro (CG).....	54
Test di controllo della direzione.....	54
Trimmaggio in volo (BNF Basic).....	55
Consigli per il volo e riparazioni.....	55
Dopo il volo.....	55
Scelta e installazione della ricevente per la versione PNP.....	56
Assistenza motore.....	56
Guida alla risoluzione dei problemi con l'AS3X.....	57
Guida alla risoluzione dei problemi.....	57
Parti di ricambio.....	58
Garanzia.....	58
Elementi consigliati.....	58
Accessori opzionali.....	58
Garanzia e Assistenza - Informazioni per i contatti.....	59
Dichiarazione di conformità per l'Unione europea.....	59

Specifiche

Apertura alare	813mm
Lunghezza	1258mm
Peso	Senza batteria: 2090 g Con la batteria di brodo 6S 5000 mAh consigliata: 2570 g

Elementi inclusi

Ricevitore*	Spektrum AR631 6CH AS3X/SAFE Ricevitore (SPMAR631)
ESC	Avian 85 A Smart Lite Brushless; 3S-6S, IC5 (SPMXAE85C)
Motore	Motore in-runner Brushless, 3060-1900Kv 4 poli (SPMXAM3000)
Ventilatore	70 mm, intubata (EFLA7012DF)
Servo	(6) Servo digitale 9g, ingranaggio metallico (SPMSA335) (1) Servo digitale 9g con ingranaggio metallico invertito (SPMSA335R) (elevatore destro)

*Questi componenti non sono inclusi con la versione Plug and Play (PNP) del prodotto.

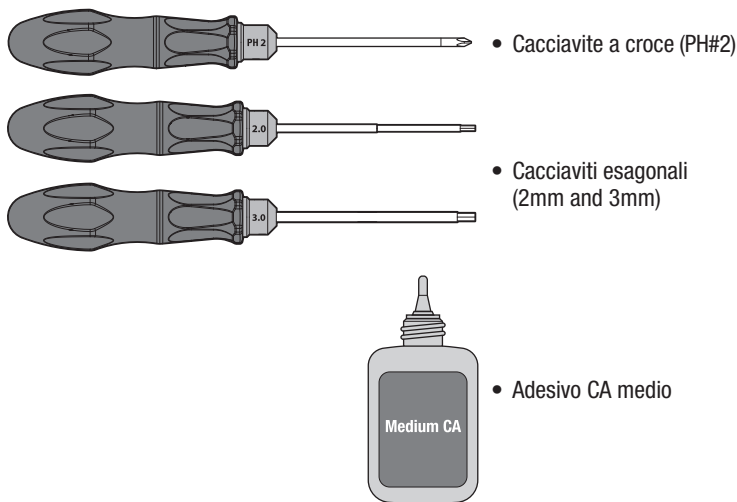
Elementi consigliati

Trasmittente	NX6 6 canali DSMX solo trasmittente (SPMR6775)
Batteria di bordo	3200 mAh 6S 22,2 V Smart 30C, IC5 (SPMX32006S30)
Caricabatterie	Smart S1100 G2 CA; 1x100 (SPMXC2080)

Accessori opzionali

SPMR8200	NX8 8 CH solo trasmittente
SPMXC2000	Caricabatterie Smart S2100 G2 2x100W AC
SPMX32006S50	3200 mAh 6S 22,2 V Smart 50C, IC5
SPMX40006S50	4000 mAh 6S 22,2 V Smart 50C; IC5
SPMX40006S30	4000 mAh 6S 22,2 V Smart 30C; IC5
DYN1405	Borsa per caricabatterie LiPo, grande
SPM6722	Custodia TX Spektrum velivolo singolo

Utensili necessari



Tecnologia SAFE Select (BNF Basic)

La rivoluzionaria tecnologia SAFE Select offre un livello di protezione superiore per poter fare i primi voli in tranquillità. Non è necessaria una programmazione complicata della trasmittente. Per attivare il sistema SAFE Select, basta seguire semplicemente la procedura di connessione (bind). Una volta attivato, le limitazioni sui movimenti di rollio e di beccheggio, permettono di evitare un sovra controllo e il livellamento automatico permette di recuperare il modello da assetti pericolosi rilasciando semplicemente gli stick dei comandi. Infatti, con alettoni, elevatore e timone in posizione neutra, il sistema SAFE Select mantiene il modello in volo diritto e livellato.

Per aumentare i vantaggi della tecnologia SAFE Select si può assegnare il suo inserimento ad un interruttore. Non è richiesta alcuna programmazione della trasmittente e si è in grado di attivarlo (ON) o disattivarlo (OFF) con il semplice

movimento di un interruttore. Per esempio, si può attivare il SAFE Select per il decollo per contrastare la coppia dell'elica, disattivarlo in volo per poter fare acrobazia senza limitazioni e inserirlo di nuovo quando si fa provare ad un amico il nuovo aereo. Attivare il SAFE Select per l'atterraggio. Quando si abbassano i flaps, il SAFE Select si preoccupa di compensare automaticamente sull'asse di beccheggio, senza tenere conto della posizione dell'acceleratore. Manterrà anche l'assetto corretto sia con l'elevatore che con gli alettoni durante l'avvicinamento finale. Sia con i principianti che con gli esperti, il SAFE Select renderà i voli più piacevoli.

Quando si esegue la procedura normale di connessione, il sistema SAFE Select può essere disabilitato, lasciando solo la tecnologia AS3X per fornire un'esperienza di volo senza limitazioni.

Impostazioni della trasmittente (BNF Basic)

IMPORTANTE: dopo aver regolato il modello, rifare sempre la procedura di connessione tra aereo e trasmittente per avere le posizioni desiderate del failsafe.

Riduttori di corsa

Esegui i primi voli con la corsa minima. Per l'atterraggio, usare la corsa massima per l'elevatore.

AVVISO: per garantire il funzionamento corretto della tecnologia AS3X, non ridurre le corse al di sotto del 50%. Se si desiderassero delle corse inferiori, è necessario regolare manualmente la posizione dei rinvii sulle squadrette dei servi.

Se ci fossero delle oscillazioni ad alta velocità, si faccia riferimento alla Guida per la risoluzione dei problemi per avere maggiori informazioni.

Expo

Dopo i primi voli, si possono regolare anche le corse esponenziali sulla trasmittente.

Carrello di atterraggi retrattile

Spostare l'interruttore del Canale 5 (carrello) per sollevare o abbassare il carrello di atterraggio retrattile.

Allarmi di telemetria

Rx V / Rx V min	4.2V
Smart ESC / Allarme bassa tensione	3.4V
Batteria smart / avvio V min	4.0V

Impostazione delle trasmittenti serie NX

1. Accendere la trasmittente, premere la rotella di scorrimento, scorrere fino a **System Setup (Impostazione sistema)** e premere di nuovo sulla rotella. Selezionare **YES (Si)**.
2. Andare in **Model Select (Scelta modello)** e scegliere **Add New Model (Aggiungi nuovo modello)** verso il fondo alla lista. Selezionare **Airplane Model Type (Tipo modello aeroplano)** scegliendo l'icona dell'aeroplano; poi selezionare **Create (Crea)**.
3. Impostare **Model Name (Nome modello)**: inserire il nome da assegnare al file del modello.
4. Andare su **Aircraft Type (Tipo aereo)** e scorrere fino alla selezione dell'ala, scegliere **Wing (Ala): Normale; Tail (Coda): Normale**
5. Selezionare **Main Screen (Schermata principale)**, premere sulla rotella per entrare in **Function List (Lista funzioni)**.
6. Andare su **Impostazione servo, Inversione**: Invertire il canale **GER**
7. Andare nei menu **D/R (Dual Rate) ed Expo** per impostare **D/R ed Expo**.
8. Impostare **Dual Rate ed Expo: Alettone**
Impostare **Interruttore: Switch F**
Impostare **High Rates (Ratei alti): 100%, Expo 10% - Low Rates (Ratei bassi): 70%, Expo 5%**
9. Impostare **Dual Rate ed Expo: Elevatore**
Impostare **Interruttore: Switch C**
High Rates (Ratei alti): 100%, Expo 10% — Low Rates (Ratei bassi): 70%, Expo 5%
10. Impostare **Dual Rate ed Expo: Timone**
Impostare **Interruttore: Switch G**
High Rates (Ratei alti): 100%, Expo 10% — Low Rates (Ratei bassi): 70%, Expo 5%
11. Impostare **Throttle Cut (Taglio gas); Interruttore: Switch H, Posizione: -100%**

Impostazione delle trasmittenti serie DX

1. Accendere la trasmittente, premere la rotella di scorrimento, scorrere fino a **System Setup (Impostazione sistema)** e premere di nuovo sulla rotella. Selezionare **YES (Si)**.
2. Andare in **Model Select (Scelta modello)** e scegliere **Add New Mode (Aggiungi nuovo modello)** in fondo alla lista. Il sistema chiede se si vuole creare un nuovo modello, selezionare **Create (Crea)**.
3. Impostare **Model Type (Tipo di modello)**: Selezionare **Airplane Model Type (Tipo modello aeroplano)** scegliendo l'icona dell'aeroplano. Il sistema chiede di confermare il tipo di modello, i dati saranno resettati. Selezionare **YES (Si)**.
4. Impostare **Model Name (Nome modello)**: inserire il nome da assegnare al file del modello.
5. Andare su **Aircraft Type (Tipo aereo)** e scorrere fino alla selezione dell'ala, scegliere **Wing (Ala): Normale; Tail (Coda): Normale**
6. Selezionare **Main Screen (Schermata principale)**, premere sulla rotella per entrare in **Function List (Lista funzioni)**.
7. Andare su **Impostazione servo, Inversione**: Invertire il canale **GER**
8. Impostare **D/R (Dual Rate) ed Expo: Alettone**
Impostare **Interruttore: Switch F**
Impostare **High Rates (Ratei alti): 100%, Expo 10% Low Rates (Ratei bassi): 70%, Expo 5%**
9. Impostare **D/R (Dual Rate) ed Expo: Elevatore**
Impostare **Interruttore: Switch C**
High Rates (Ratei alti): 100%, Expo 10% - Low Rates (Ratei bassi): 70%, Expo 5%
10. Impostare **D/R (Dual Rate) ed Expo: Timone**
Impostare **Interruttore: Switch G**
High Rates (Ratei alti): 100%, Expo 10% Low Rates (Ratei bassi): 70%, Expo 5%
11. Impostare **Throttle Cut (Taglio gas); Interruttore: Switch H, Posizione: -100%**

Configurazione delle trasmettenti serie iX

1. Accendere la trasmittente e attendere che l'applicazione Spektrum AirWare si apra.
Selezionare l'icona della penna arancione nell'angolo in alto a sinistra; il sistema chiede di poter spegnere la trasmissione RF. Selezionare **PROCEED (PROCEDI)**.
2. Selezionare i tre punti nell'angolo in alto a destro nello schermo, poi selezionare **Add a New Mode (Aggiungi nuovo modello)**.
3. Selezionare **Model Option (Opzione modello)**, scegliere **DEFAULT**, scegliere **Airplane (Aereo)**. Il sistema chiede se si vuole creare un nuovo modello ACRO; selezionare **Create (Crea)**.
4. Selezionare l'ultimo modello della lista, chiamato **Acro**. Toccare la parola Acro e rinominare il file con un nome a scelta.
5. Tenere premuta l'icona della freccia indietro nell'angolo in alto a sinistra dello schermo per tornare alla schermata principale.
6. Andare nel menu **Model Setup (Imposta modello)**. Selezionare **Aircraft Type (Tipo aeromodello)**. Il sistema chiede di poter spegnere la trasmissione RF. Selezionare **PROCEED (PROCEDI)**. Toccare lo schermo per selezionare l'ala. Selezionare **Normale**.
7. Tenere premuta l'icona della freccia indietro nell'angolo in alto a sinistra dello schermo per tornare alla schermata principale.
8. Andare nel menu **Model Adjust (Regola modello)**.
9. Andare su **Impostazione servo, Inversione**: Invertire il canale **GER**
10. Impostare **Dual Rate ed Expo**: Selezionare **Aileron (Alettone)** Impostare **Interruttore: Switch F**
Impostare **High Rates (Ratei alti): 100%, Expo 10% - Low Rates (Ratei bassi): 70%, Expo 5%**
11. Impostare **Dual Rate ed Expo**: Selezionare **Elevator (Equilibratore)** Impostare **Interruttore: Switch C**
High Rates (Ratei alti): 100%, Expo 10% - Low Rates (Ratei bassi): 70%, Expo 5%
12. Impostare **Dual Rate ed Expo**: Selezionare **Rudder (Timone)** Impostare **Interruttore: Switch G**
High Rates (Ratei alti): 100%, Expo 10% - Low Rates (Ratei bassi): 70%, Expo 5%
13. Impostare **Throttle Cut (Taglio gas)**; **Interruttore: Switch H, Posizione: -100%**

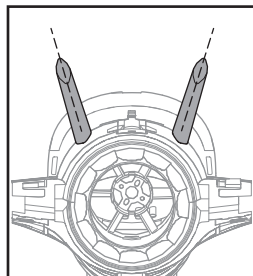
Montaggio del modello

Montaggio delle alette ventrali

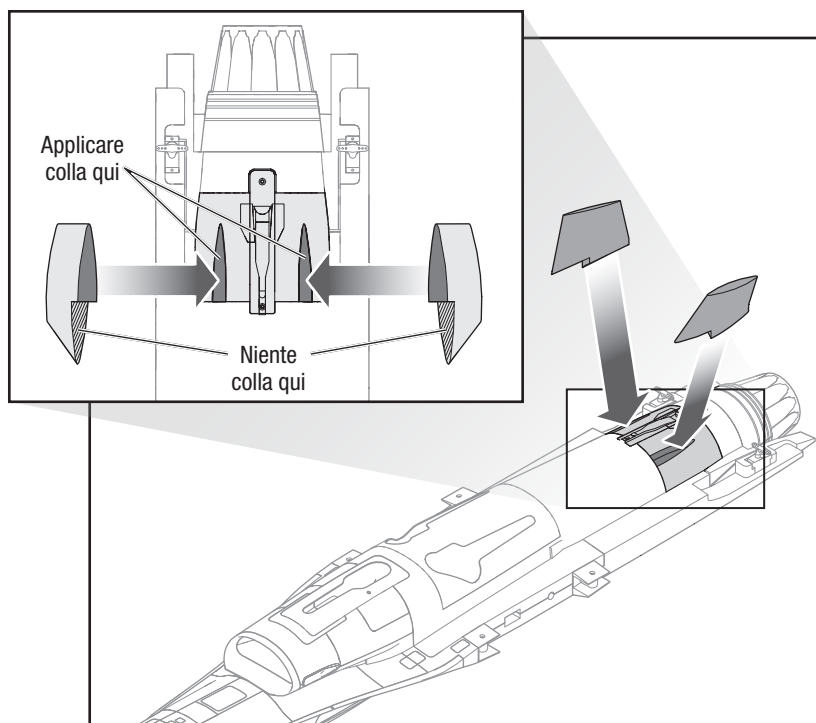
1. Pulire le superfici di accoppiamento delle alette ventrali e del coperchio della ventola con un tovagliolo di carta inumidito con alcol per rimuovere la polvere o la vernice allentata prima di applicare la colla.
2. Usare una colla cianoacrilica media per fissare le alette ventrali al carter della ventola. Applicare uno strato sottile di colla cianoacrilica media nella cavità di montaggio dell'aletta sul carter della ventola.

IMPORTANTE: Non applicare colla alla metà anteriore dell'aletta ventrale dove incontra la fusoliera. Le alette ventrali devono essere incollate solo al carter della ventola. Se le mezze alette ventrali anteriori sono incollate alla fusoliera, il coperchio della ventola non sarà rimovibile per accedere all'unità della ventola canalizzata.

3. Inserire le alette ventrali nel carter della ventola come mostrato nello schema a destra. Verificare che le alette ventrali siano angolate verso l'esterno come sotto mostrato.
4. Premere le alette ventrali in posizione e rimuovere l'eventuale eccesso di colla che fuoriesce con un panno di carta.
5. Lasciare il modello capovolto in equilibrio e fissare le alette ventrali in posizione mentre la colla asciuga.

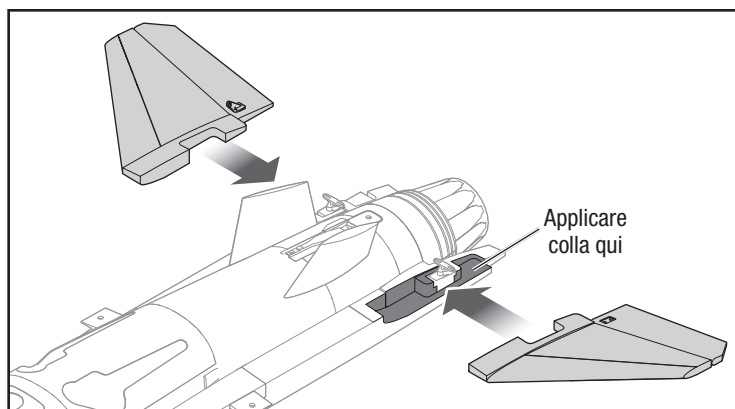


Verificare che le alette ventrali siano angolate verso l'esterno.



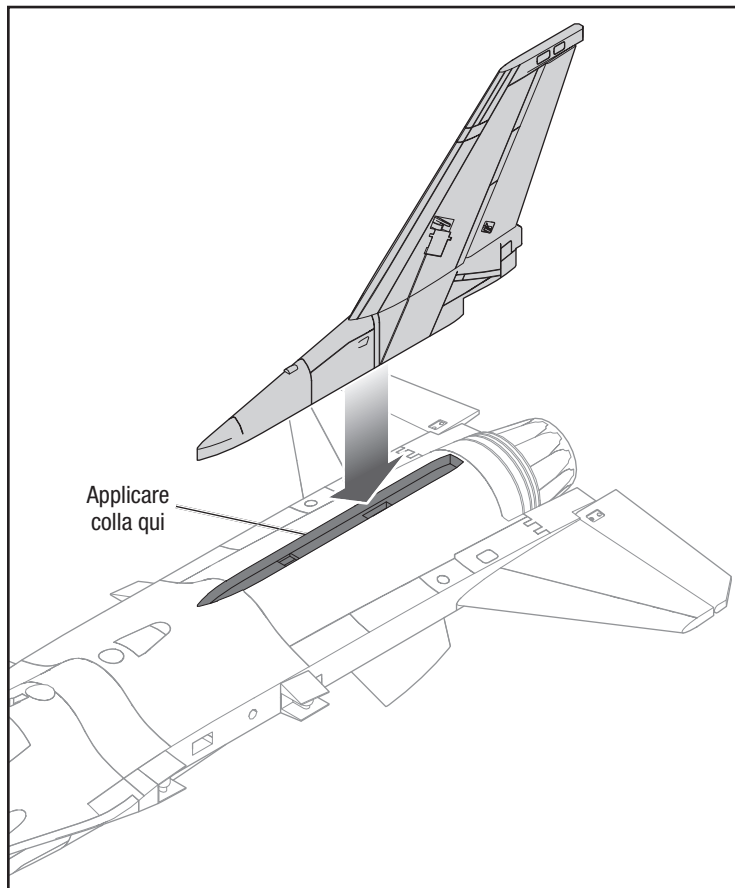
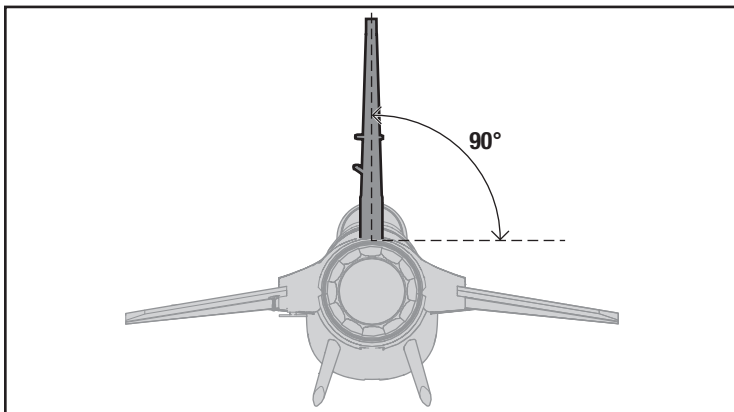
Montaggio dello stabilizzatore orizzontale

1. Pulire le superfici di accoppiamento degli stabilizzatori orizzontali e della fusoliera con un tovagliolo di carta inumidito con alcol per rimuovere la polvere o la vernice allentata prima di applicare la colla.
2. Con colla cianoacrilica media, applicare uno strato sottile sulle superfici di montaggio dello stabilizzatore orizzontale della fusoliera, ombreggiate in grigio scuro nell'illustrazione.
3. Installare gli stabilizzatori orizzontali sulla fusoliera come indicato.
4. Premere gli stabilizzatori verticali in posizione e rimuovere l'eventuale fuoriuscita di colla in eccesso con un panno di carta.
5. Lasciare il modello capovolto in equilibrio e tenere gli stabilizzatori in posizione mentre la colla asciuga.



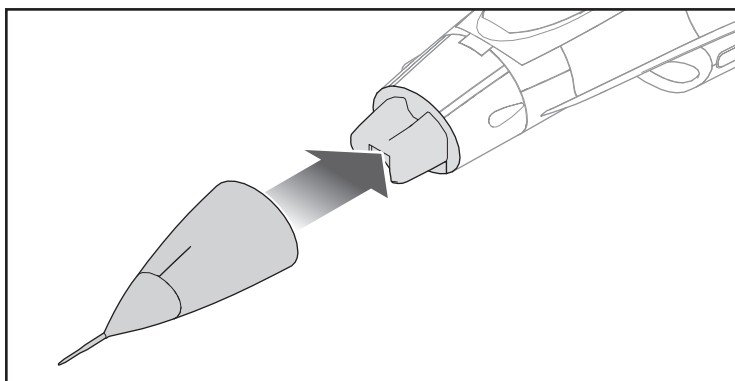
Montaggio dello stabilizzatore verticale

1. Collegare il servo del timone alla prolunga del servo inserita nella cavità. Verificare che il servo funzioni correttamente con il sistema radio prima di procedere.
2. Pulire le superfici di accoppiamento dello stabilizzatore verticale e della fusoliera con un tovagliolo di carta inumidito con alcol per rimuovere la polvere o la vernice sciolta.
3. Inserire il cavo e il connettore del servo del timone nuovamente nella cavità della fusoliera.
4. Applicare un sottile strato di colla cianoacrilica media nella cavità di montaggio dello stabilizzatore verticale della fusoliera, come indicato dall'ombreggiatura scura nell'illustrazione.
5. Installare lo stabilizzatore verticale sulla fusoliera come indicato.
6. Premere lo stabilizzatore verticale in posizione. Eliminare la colla in eccesso con un tovagliolo di carta.
7. Lasciare il modello a livello in posizione verticale e accertarsi che lo stabilizzatore verticale rimanga precisamente allineato mentre la colla asciuga.



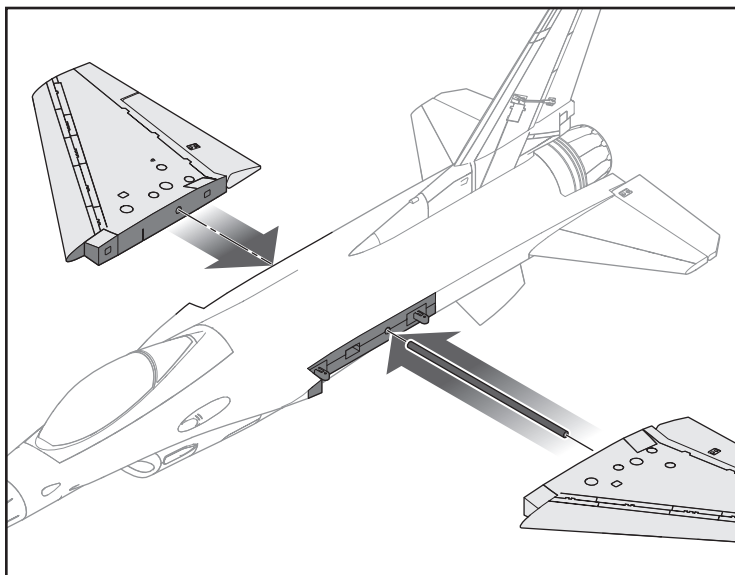
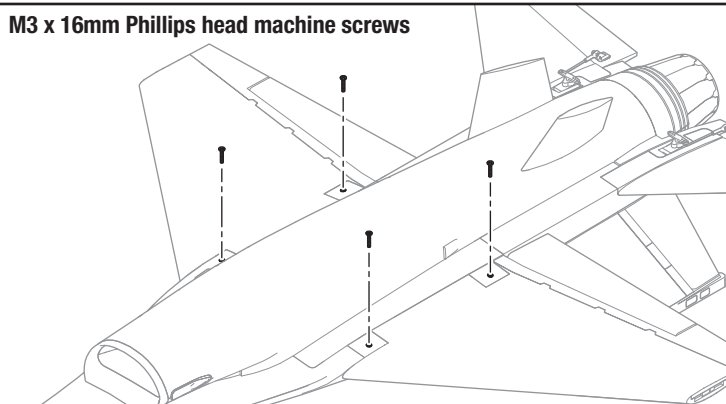
Montaggio della carenatura anteriore

Far scorrere il muso in posizione come mostrato. Il muso è mantenuto in posizione magneticamente.



Montaggio dell'ala

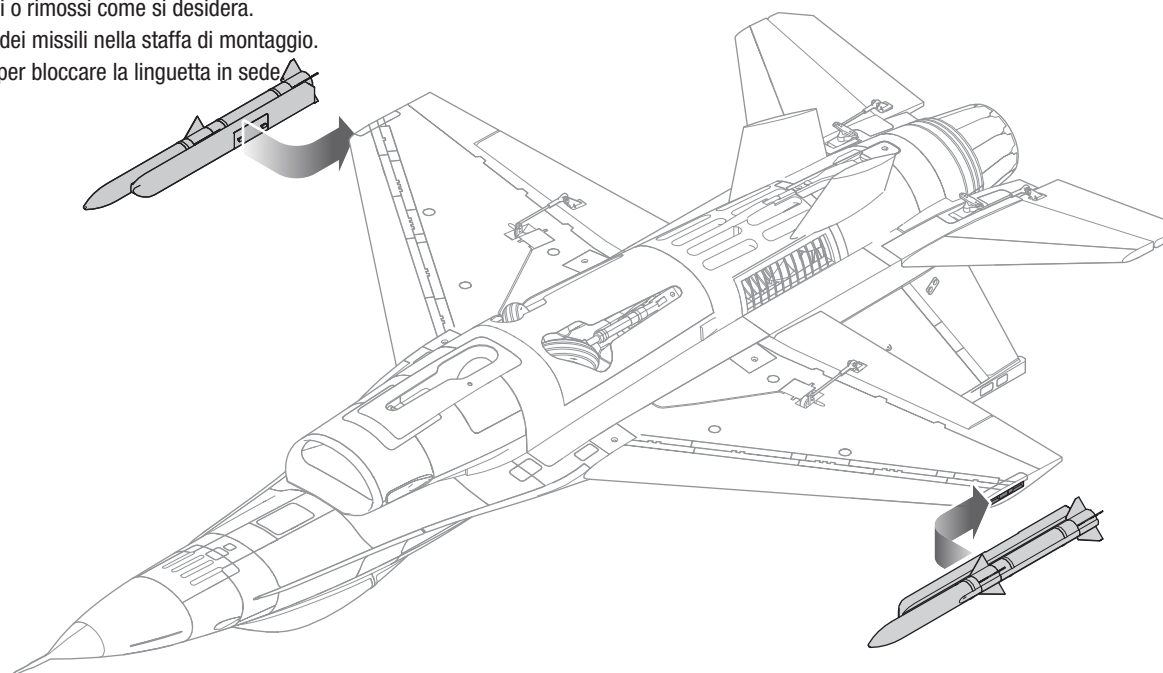
1. Far scorrere il tubo dell'ala nella fusoliera.
2. Far scorrere le semiali sul tubo dell'ala.
3. Fissare le semiali in posizione avvitando dal basso le quattro viti 3x16 mm con un cacciavite a stella nr. 2 forniti in dotazione.



Accessori in scala *Opzionale*

I missili alari possono essere installati o rimossi come si desidera.

1. Inserire la linguetta di montaggio dei missili nella staffa di montaggio.
 2. Far scorrere il missile all'indietro per bloccare la linguetta in sede.
- Smontare in ordine inverso.

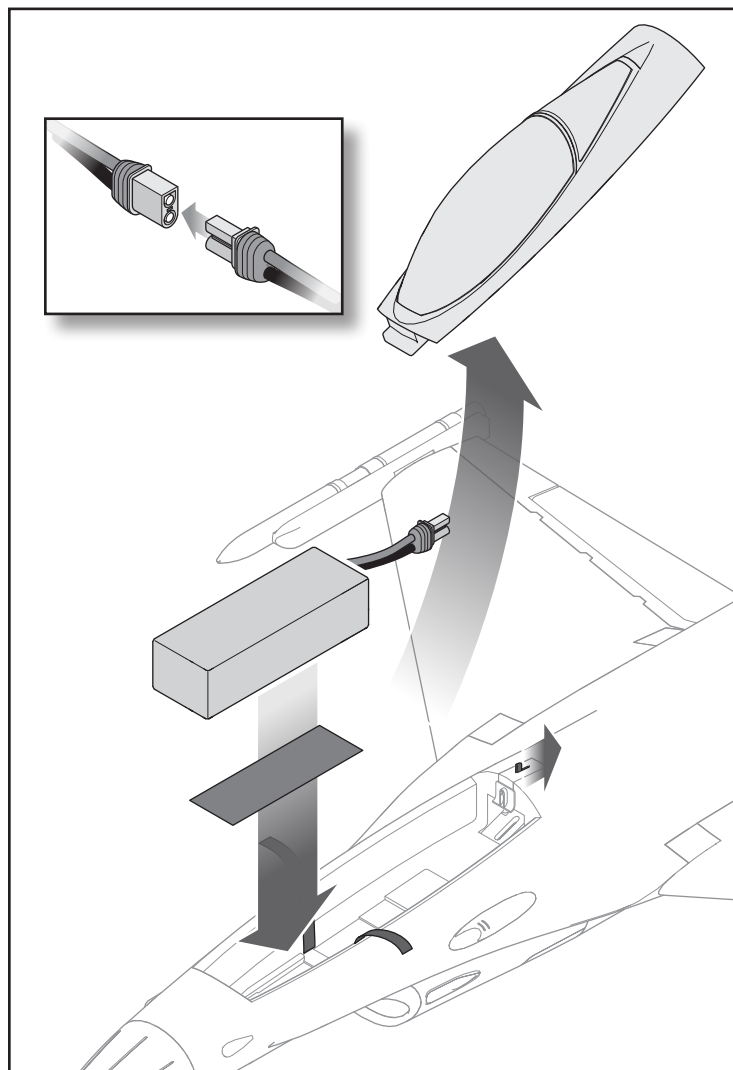


Battery Installation and ESC Arming

Sceita della batteria

Si consiglia una batteria Spektrum 3200 mAh 22.2 V 6S 30C Li-Po (SPMX32006S30). Consultare l'elenco delle parti opzionali per le altre batterie consigliate. Se si usano batterie diverse da quelle elencate, queste devono avere capacità, peso e dimensioni analoghe a quelle della batteria Spektrum LiPo consigliata, per consentirne l'alloggiamento in fusoliera. Prima di volare, verificare che il baricentro (CG) si trovi nel punto indicato.

1. Abbassare la manetta portandola nella posizione inferiore.
2. Accendere la trasmittente e attendere 5 secondi.
3. Far scorrere la chiusura del coperchio all'indietro e sollevare il coperchio dalla fusoliera.
4. Applicare il lato morbido della fascetta a strappo alla parte inferiore della batteria. Applicare il lato del gancio al vano della batteria.
5. Installare la batteria completamente carica al centro del vano batteria.
6. Fissare la batteria con il gancio installato e la fascetta.
7. Collegare la batteria all'ESC. L'ESC ora è armato. Tenere l'aeromodello immobile e al riparo dal vento su una superficie piana, altrimenti il sistema non si inizierà. Quando il modello si inizializza, il motore emette un singolo tono seguito immediatamente da tre o quattro toni, che indicano il numero di celle della batteria collegata. Il LED del ricevitore si accende.
8. Reinstallare il portello della batteria, assicurandosi che il fermo sia completamente inserito.



Failsafe e suggerimenti generali per Binding BNF

- Il ricevitore incluso è stato programmato specificamente per questo aeromodello. In caso di sostituzione del ricevitore, consultare il manuale del ricevitore per impostarlo correttamente.
- Tenersi a distanza da grandi oggetti metallici durante la connessione.
- Non puntare l'antenna della trasmittente direttamente al ricevitore durante la connessione.
- Il LED arancione sul ricevitore inizia a lampeggiare rapidamente quando il ricevitore entra in modalità di binding.

- Una volta collegato, il ricevitore mantiene le impostazioni di binding per la trasmittente a cui è stato associato fino a quando non si esegue nuovamente il binding.
- Se il ricevitore perde la comunicazione con la trasmittente, il failsafe si attiva. Il failsafe sposta il canale del gas in posizione di gas basso. Le tracce di beccheggio e rollio funzionano in movimento per stabilizzare attivamente l'aereo in una virata verso il basso.
- In caso di problemi, consultare la guida alla risoluzione dei problemi o, se necessario, contattare il servizio di assistenza di Horizon Hobby.

Connessione fra trasmittente e ricevente / Commutare ON e OFF il SAFE Select BNF

La versione BNF Basic di questo modello include la tecnologia SAFE Select, che consente di scegliere il livello di protezione dell'involucro di volo. La modalità SAFE permette di impostare limiti di angolo e il ritorno automatico al volo livellato. La modalità AS3X fornisce al pilota una risposta diretta agli stick di comando. SAFE Select viene abilitato o disattivato durante il processo di binding.

Con SAFE Select disabilitato l'aereo è sempre in modalità AS3X. Con SAFE Select abilitato l'aereo è sempre in modalità SAFE Select, oppure è possibile assegnare un interruttore per passare tra le modalità SAFE Select e AS3X.

Grazie alla tecnologia SAFE Select, questo modello può dunque essere impostato in modalità SAFE non disinseribile, in modalità AS3X non disinseribile oppure è possibile assegnare a un interruttore la commutazione tra una modalità e l'altra.

IMPORTANTE: prima del binding, leggere in questo manuale la sezione relativa alle impostazioni della trasmittente e seguire la relativa tabella per programmare la trasmittente in modo corretto per questo modello.

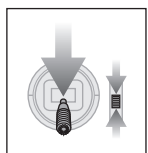
IMPORTANTE: spostare i comandi di volo della trasmittente (timone, equilibratori e alettoni) e il trim del gas in posizione neutra. Spostare il gas in basso prima e durante il binding. Questo serve a definire le impostazioni di failsafe.

Per completare la procedura di binding e SAFE Select, è possibile utilizzare il pulsante di binding sul ricevitore o il connettore di binding convenzionale.

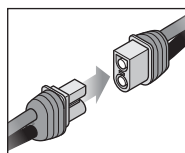
SAFE Select può essere attivato anche tramite la programmazione avanzata Forward Programming nelle trasmittenti compatibili.

Uso del pulsante di binding...

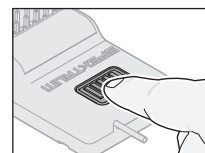
SAFE Select attivato



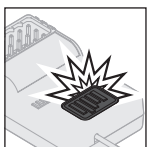
Abbassare il gas



Collegare l'alimentazione



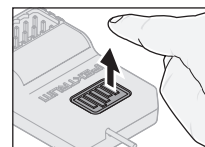
Premere e tenere premuto il pulsante di binding



Il LED arancione lampeggia



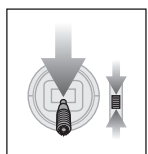
Procedere con il binding tra TX e RX



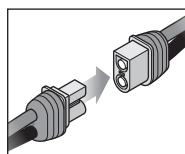
Rilasciare il pulsante di binding

SAFE SELECT ATTIVATO: le superfici di controllo si muovono avanti e indietro due volte con una leggera pausa in posizione neutra ogni volta che il ricevitore viene acceso.

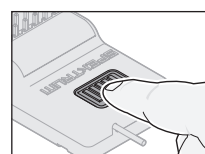
SAFE Select disattivato



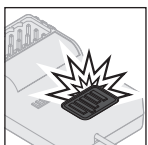
Abbassare il gas



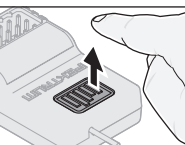
Collegare l'alimentazione



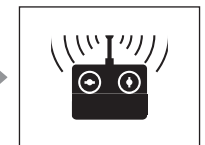
Premere il pulsante di binding



Il LED arancione lampeggia



Rilasciare il pulsante di binding

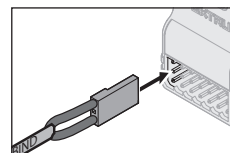


Procedere con il binding tra TX e RX

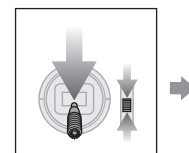
SAFE SELECT DISATTIVATO: le superfici di controllo si muovono avanti e indietro una volta ogni volta che il ricevitore viene acceso.

Rimuovere il connettore di binding...

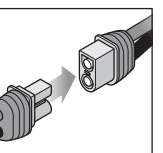
SAFE Select attivato



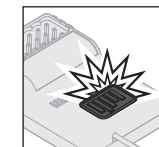
Installare il connettore di binding



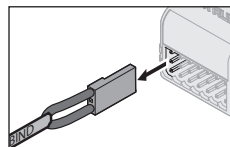
Abbassare il gas



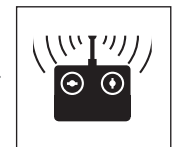
Collegare l'alimentazione



Il LED arancione lampeggia



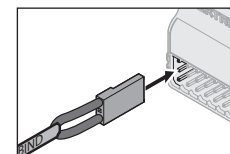
Rimuovere il connettore di binding



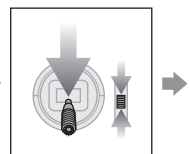
Procedere con il binding tra TX e RX

SAFE SELECT ATTIVATO: le superfici di controllo si muovono avanti e indietro due volte con una leggera pausa in posizione neutra ogni volta che il ricevitore viene acceso.

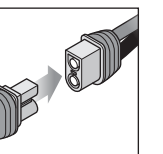
SAFE Select disattivato



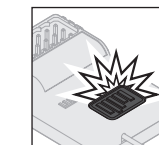
Installare il connettore di binding



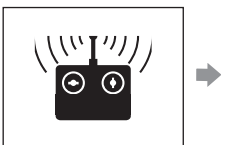
Abbassare il gas



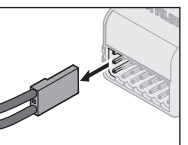
Premere il pulsante di binding



Il LED arancione lampeggia



Procedere con il binding tra TX e RX



Rimuovere il connettore di binding

SAFE SELECT DISATTIVATO: le superfici di controllo si muovono avanti e indietro una volta ogni volta che il ricevitore viene acceso.

Assegnazione interruttore per SAFE Select

La funzione SAFE Select si può assegnare sulla propria trasmittente a qualsiasi interruttore aperto (2 o 3 posizioni). Questa possibilità permette di abilitare o disabilitare questa funzione mentre si è in volo.

IMPORTANTE: Prima di assegnare l'interruttore desiderato, accertarsi che la corsa di quel canale sia impostata al 100% in entrambe le direzioni e che gli alettoni, l'elevatore, il timone e l'acceleratore siano tutti su corsa massimo impostata al 100%. Spegnerne il Throttle Hold se è programmato nel trasmettitore.

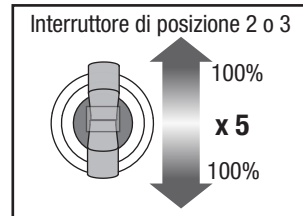
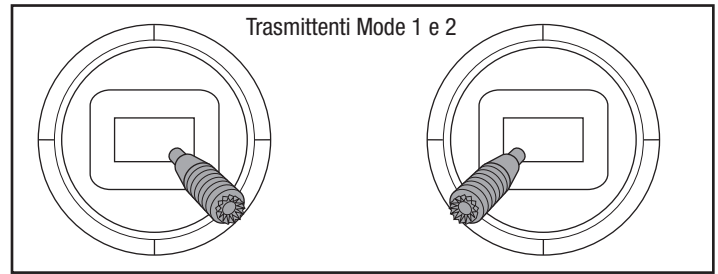
ATTENZIONE: Tenere tutte le parti del corpo ben lontane dal rotore, dalle prese d'aria e dal tubo di scarico e tenere l'aereo saldamente in caso di attivazione accidentale dell'acceleratore.

Assegnare un interruttore

1. Connettere correttamente l'aereo per attivare il SAFE Select. Questo permette al sistema di essere assegnato ad un interruttore.
2. Mantenere entrambi gli stick della trasmittente nell'angolo interno inferiore e muovere 5 volte (completamente in alto e in basso) l'interruttore desiderato per assegnarlo. Le superfici di controllo dell'aereo si muoveranno per indicare che l'interruttore è stato assegnato.

Ripeti il processo per assegnare un altro interruttore o per disattivare l'interruttore corrente, se lo desideri.

AVVISO: il SAFE Select si può assegnare anche ad un canale da 5 a 9 non in uso.



Impostazione squadrette e bracci servi

La tabella qui a destra mostra le impostazioni di fabbrica per le squadrette e i bracci dei servi. Prima di fare cambiamenti, far volare l'aereo con questa impostazione.

AVVISO: se si cambiano le corse dei comandi rispetto alle impostazioni di fabbrica, è necessario modificare anche i valori di sensibilità sulla ricevente AR631. Per fare queste regolazioni si faccia riferimento al manuale della ricevente Spektrum AR631.

Installazione del collegamento

I collegamenti dell'elevatore devono essere installati dopo aver incollato la coda.

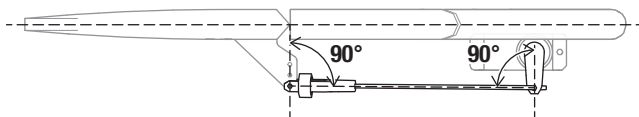
1. Inserire l'estremità piegata a Z del leveraggio nell'apposito foro nella tromba servo come mostrato nella tabella a destra
2. Collegare il collegamento a sfera al clacson di controllo come mostrato nella tabella a destra.

Smontare in ordine inverso.

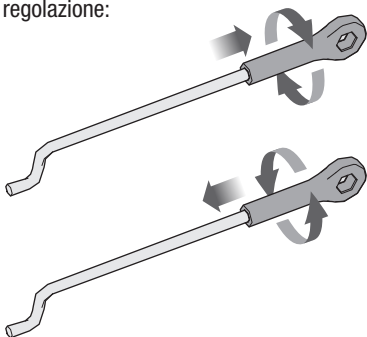
Centraggio delle superfici di controllo

Durante l'assemblaggio le superfici di controllo devono essere centrate meccanicamente quando i servi sono in folle.

Assemblare il modello, configurare la trasmittente, collegare la trasmittente al ricevitore del velivolo e impostare trim e sub-trim a zero. Con il modello acceso, effettuare le regolazioni finali come necessario in modo tale che tutte le superfici di controllo di volo siano centrate.



Se è necessaria una regolazione:



- Girare il leveraggio in senso orario o antiorario per ottenere la lunghezza corretta in modo tale che la superficie di controllo sia centrata.
- Completata la regolazione, collegare il leveraggio alle squadrette.

Impostazioni di fabbrica	Squadrette	Bracci
Elevatore		
Timone		
Alettoni		

Dopo aver volato, è possibile regolare le posizioni del leveraggio per ottenere la risposta di controllo desiderata. Vedere la tabella che segue.

AVVISO: se si cambiano le corse dei comandi rispetto a quelle di fabbrica, potrebbe essere necessario intervenire anche sui valori di sensibilità di AR631. Fare riferimento al manuale della Spektrum AR631 per la regolazione dei valori di sensibilità.

Tuning	Squadrette	Bracci
Più corsa di controllo		
Meno corsa di controllo		

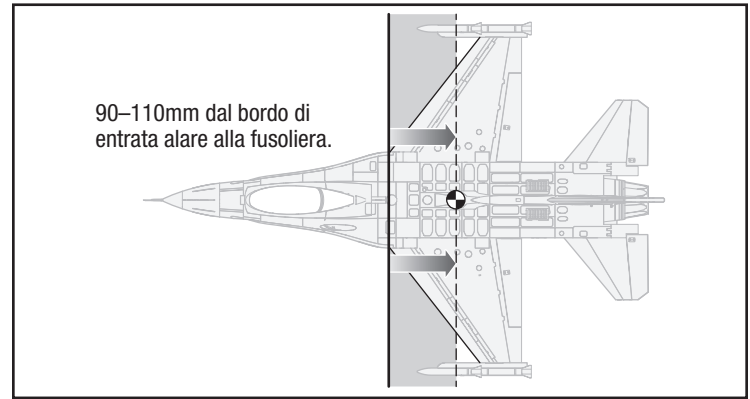
Baricentro (CG)

AVVISO: installare la batteria nell'aereo, ma non armare l'ESC mentre si controlla il baricentro (CG). Potrebbero verificarsi lesioni personali.

Questa posizione del baricentro è stata determinata con la batteria Li-Po consigliata (SPMX32006S30) installata.

La posizione del baricentro è compresa tra 90 e 110 mm, misurata dal bordo d'attacco dell'ala alla fusoliera, con il carrello di atterraggio abbassato.

Regolare la posizione del baricentro spostando il pacco batteria in avanti o all'indietro nel vano batteria.



Test di controllo della direzione

Accendere la trasmittente e collegare la batteria. Usare la trasmittente per azionare i comandi di alettone, equilibratore e timone. Controllare il movimento delle superfici di controllo guardando il velivolo dal retro.

Elevatore

1. Tirare verso di sé. Gli elevatori devono spostarsi verso l'alto, causando il beccheggio verso l'alto del velivolo.
2. Spingere lo stick dell'elevatore in avanti. Gli elevatori devono spostarsi verso il basso, causando il beccheggio verso il basso del velivolo.

Alettoni

1. Muovere lo stick dell'alettone a sinistra. Gli alettoni di sinistra devono muoversi verso l'alto e quelli di destra verso il basso, manovra che induce il velivolo a inclinarsi a sinistra.
2. Muovere lo stick dell'alettone a destra. Gli alettoni destri devono muoversi verso l'alto e quelli di sinistra verso il basso, manovra che induce il velivolo a inclinarsi a destra.

Timone

1. Muovere lo stick del timone a sinistra. Il timone deve spostarsi a sinistra, manovra che induce l'imbardata del velivolo a sinistra.
2. Spostare lo stick del timone a destra. Il timone deve spostarsi a destra, manovra che induce l'imbardata del velivolo a destra.

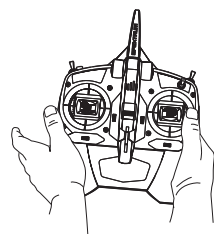
	Comando trasmittente	Tisposta aereo
Elevatore		
Alettone		
Timone		

Trimmaggio in volo (BNF Basic)

Durante il primo volo, trimmare l'aereo per ottenere un volo livellato con il motore a 3/4. Per correggere la traiettoria di volo intervenire con piccoli spostamenti sui trim della trasmittente.

Dopo aver corretto con i trim, non toccare gli stick per 3 secondi. Questo permette alla ricevente di memorizzare le impostazioni corrette per ottimizzare le prestazioni dell'AS3X.

Se non si segue questa procedura, si pregiudicano le prestazioni di volo.



3 Secondi

Consigli per il volo e riparazioni

Prima di scegliere il posto dove far volare il modello è necessario informarsi sulle leggi e le ordinanze locali.

Prova di portata del radiocomando

Prima di volare, sarebbe meglio fare una prova di portata del radiocomando. Per informazioni consultare il manuale della trasmittente.

Oscillazioni

Una volta che il sistema AS3X è attivato (dopo aver portato in avanti il comando motore per la prima volta), si vedranno le superfici di comando reagire ai movimenti dell'aereo. In alcune condizioni di volo si potrebbero notare delle oscillazioni (l'aereo ha dei movimenti bruschi dovuti a sovracontrollo. Se questo succedesse, si faccia riferimento alla guida per la risoluzione dei problemi per avere maggiori informazioni.

Decollo

Sistemare l'aereo rivolto contro vento. Impostare la trasmittente con le corse ridotte e abbassare i flap a metà corsa in posizione per il decollo. Aumentare il motore gradualmente fino a 3/4 compensando la sua coppia con il timone. I flaps accorciano la corsa di decollo. Appena la coda si stacca da terra, tirare dolcemente indietro lo stick dell'elevatore. Appena si è in volo, salire fino ad una quota di sicurezza e riportare a zero i flap.

In volo

Per i primi voli con la batteria consigliata (EFLB32006S30), impostare il timer della propria trasmittente su 5 minuti. Dopo 5 minuti far atterrare l'aereo. In seguito si potrà allungare o accorciare questo tempo in base a come si è comportato il modello nei primi voli. Se in qualsiasi momento la potenza del motore si riduce, far atterrare immediatamente l'aereo per ricaricare la batteria di bordo. Si veda la sezione riguardante lo spegnimento per bassa tensione (LVC) per maggiori dettagli su come massimizzare la vita della batteria e il tempo di volo.

Atterraggio

Far atterrare l'aereo contro vento. Lasciare un po' di motore per tutta la discesa. Ridurre il motore a 1/4 e abbassare completamente i flap per l'atterraggio. **I flap rendono la discesa più lenta e ripida, permettendo un atterraggio più morbido.**

Lasciare un po' di motore finché l'aereo non è pronto per la richiamata finale. Durante la richiamata, mantenere le ali livellate e l'aereo sempre contro vento. Ridurre gradualmente il motore mentre si tira indietro lo stick dell'elevatore per portare l'aereo ad appoggiarsi sulle sue ruote.

Se si atterra sull'erba, è meglio tenere l'elevatore completamente in alto anche durante il rullaggio per evitare che il naso si impunti.

Una volta a terra, evitare le sterzate brusche mentre l'aereo ha ancora velocità per non grattare le estremità alari sulla pista.

Dopo il volo

1. Scollegare la batteria di bordo dall'ESC.
2. Spegnerla la trasmittente.
3. Togliere la batteria dall'aereo.
4. Ricaricare la batteria di bordo.

AVVISO: nell'imminenza di un incidente, ridurre completamente il motore e il suo trim. In caso contrario si avrebbero maggiori danni alla struttura dell'aereo, come pure al motore e all'ESC.

AVVISO: Dopo ogni impatto, accertarsi sempre che la ricevente sia al suo posto nella fusoliera. Se si cambia la ricevente, bisogna montare quella nuova nella stessa posizione e con lo stesso orientamento di quella originale, altrimenti si potrebbero causare danni.

AVVISO: i danni dovuti ad incidente non sono coperti dalla garanzia.

AVVISO: per non danneggiare l'aereo, dopo aver volato, si raccomanda di non lasciarlo sotto i raggi diretti del sole o in un luogo chiuso e surriscaldato come l'interno di un'auto.

Spegnimento per bassa tensione (LVC)

Se una batteria LiPo viene scaricata al di sotto di 3V per cella, non manterrà più la carica. L'ESC protegge la batteria di bordo da una sovra-scarica con la funzione LVC (Low Voltage Cutoff). Prima che la carica della batteria scenda troppo, la funzione LVC toglie l'alimentazione al motore. La potenza del motore viene ridotta, mantenendone una parte per i controlli di volo e per fare un atterraggio sicuro.

Dopo l'uso si raccomanda di scollegare la batteria dall'aereo per evitare che si scarichi lentamente. Prima di riporre la batteria LiPo per un certo tempo si raccomanda di caricarla per metà della sua capacità, controllando ogni tanto che la tensione non scenda al di sotto di 3V per elemento. La funzione LVC non può, ovviamente, controllare la sovra-scarica della batteria quando è staccata dall'aereo.

AVVISO: facendo intervenire ripetutamente la funzione LVC, la batteria si potrebbe danneggiare.

CONSIGLIO: conviene controllare la batteria prima e dopo il volo con lo strumento Voltage Checker (EFLA111, venduto separatamente).

Riparazioni

Grazie al materiale Z-Foam usato su questo aereo, per le riparazioni si può usare qualsiasi tipo di adesivo (colla a caldo, cianoacrilica CA, epoxy, ecc.). Se le parti non fossero riparabili, si veda l'elenco dei ricambi in fondo a questo manuale per ordinare quello che serve.

AVVISO: l'uso di un accelerante per CA su questo aereo, potrebbe danneggiare la vernice. NON maneggiare l'aereo finché l'accelerante non è completamente asciutto.

5. Riparare o sostituire le parti eventualmente danneggiate.
6. Conservare la batteria separatamente dall'aereo, controllandone ogni tanto il livello di carica.
7. Prendere nota delle condizioni in cui si è svolto il volo e dei risultati, per pianificare i voli futuri.

Scelta e installazione della ricevente per la versione PNP

Il ricevitore Spektrum AR631 è consigliato per questo aeromodello. Se si sceglie di installare un altro ricevitore, assicurarsi che si tratti di un modello a piena portata con almeno 6 canali. Consultare il manuale del ricevitore per le istruzioni di installazione e uso.

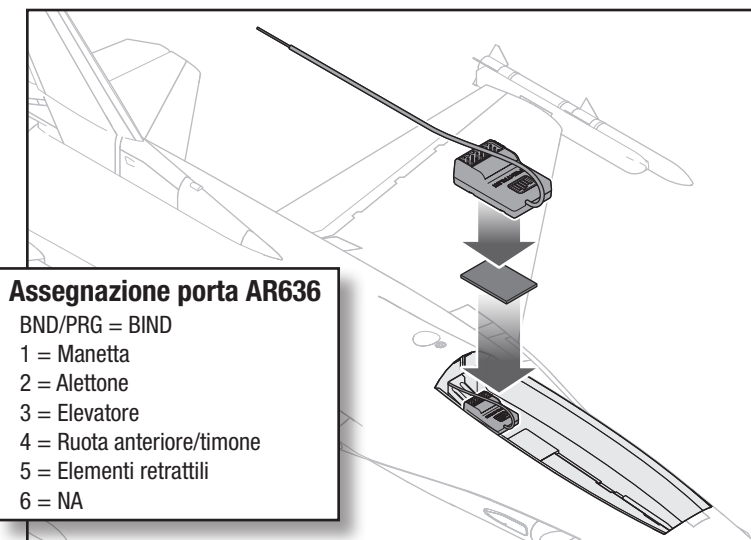
ATTENZIONE: l'installazione errata del ricevitore può causare perdita di controllo e schianto al suolo.

Installazione (AR631 mostrato)

1. Rimuovere la capottina dalla fusoliera.
2. Montare il ricevitore parallelamente alla lunghezza della fusoliera usando un nastro biadesivo per servo.

IMPORTANTE: Far rientrare l'antenna attraverso il tunnel della fusoliera.

3. Collegare le superfici di controllo alle rispettive porte sul ricevitore come indicato nella tabella a destra.



Assegnazione porta AR636

- BND/PRG = BIND
 1 = Manetta
 2 = Alettone
 3 = Elevatore
 4 = Ruota anteriore/timone
 5 = Elementi retrattili
 6 = NA

Assistenza motore

ATTENZIONE: scollegare sempre la batteria di volo prima di procedere alla manutenzione del motore.

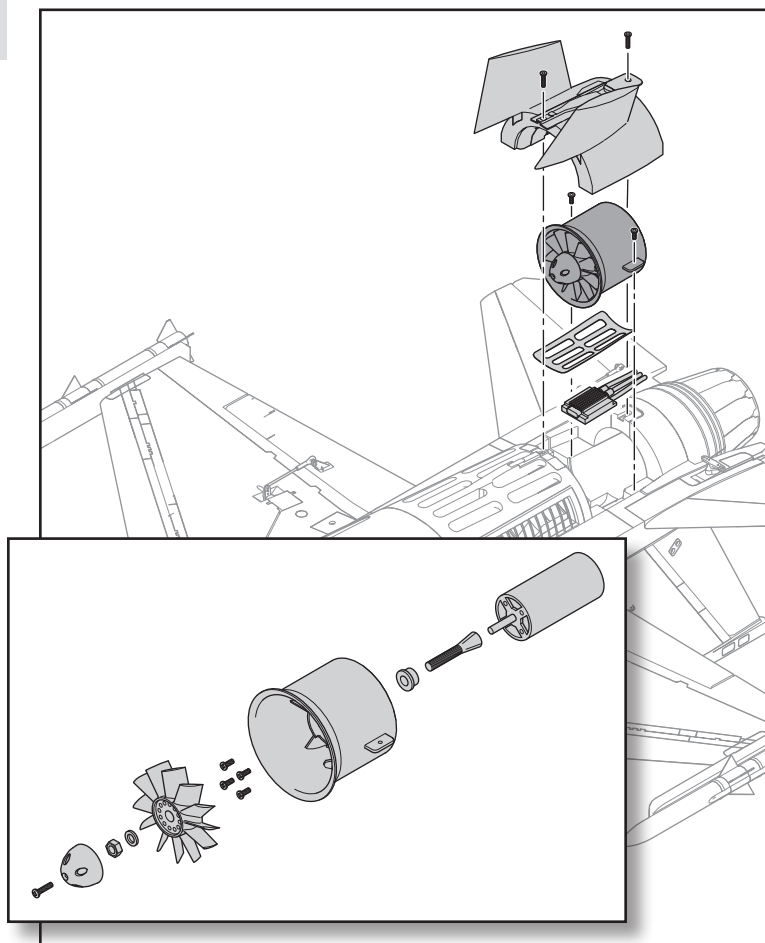
Smontaggio

1. Rimuovere le due viti a testa svasata da 3 mm 10 mm che tengono in posizione il carter della ventola. Rimuovere il carter della ventola
2. Rimuovere le due viti autofilettanti a testa svasata da 3 mm x 12 mm che tengono in posizione l'alloggiamento della ventola intubata.
3. Rimuovere la vite da 3mm x 20mm che tiene l'ogiva sull'albero motore. Rimuovere l'ogiva.
4. Afferrare delicatamente la girante e rimuovere il dado a testa esagonale che tiene la ventola sull'albero del motore. Rimuovere la ventola.
5. Rimuovere l'adattatore dell'elica dall'albero motore.
6. Rimuovere le quattro viti da 3mm x 6mm e il motore dall'alloggiamento della ventola.
7. Scollegare i fili del motore dai fili dell'ESC.

Montare in ordine inverso.

Quando si rimonta il gruppo motore e ventola:

- Far corrispondere correttamente i fili del motore con i fili dell'ESC.
- Assicurarsi che la ventola sia installata con la parte anteriore rivolta verso il muso dell'aereo.
- L'uso di un attrezzo è necessario per serrare il dado su rotore e collare.
- Assicurarsi che nessun filo venga schiacciato dai componenti elettrici.
- Assicurarsi che il carter dell'ESC sia incollato in modo sicuro alla fusoliera.
- Assicurarsi che l'ogiva sia completamente fissata in modo da garantirne la sicurezza d'uso.



Guida alla risoluzione dei problemi con l'AS3X

Problema	Possibile causa	Soluzione
Oscillazioni	Ogiva o elica danneggiate	Sostituire l'ogiva o l'elica
	Elica non bilanciata	Bilanciare l'elica. Per maggiori informazioni si veda il video su www.horizonhobby.com
	Motore con vibrazioni	Sostituire le parti interessate o allineare tutte le parti stringendo gli elementi di fissaggio secondo necessità.
	Ricevente allentata	Allineare e fissare la ricevente alla fusoliera
	Controlli dell'aereo allentati	Stringere o fissare in altro modo le varie parti (servi, bracci, rinvi, squadrette e superfici di comando)
	Parti usurate	Sostituire le parti usurate (specialmente elica, ogiva o servi)
	Movimenti irregolari dei servi	Sostituire i servi interessati
Prestazioni di volo incostanti	I trim non sono al centro	Se i trim venissero regolati con più di 8 scatti, bisogna intervenire meccanicamente sulle forcelle e riportare i trim al centro
	I sub-trim non sono centrati	I sub-trim non sono ammessi. Bisogna regolare meccanicamente i rinvi
	L'aereo non è rimasto immobile per 5 secondi dopo aver collegato la batteria	Portare lo stick motore completamente in basso. Scollegare la batteria, poi ricollegarla e mantenere l'aereo fermo per 5 secondi
Dalla verifica della direzione dei controlli dell'AS3X risulta che sono sbagliati	Impostazione della direzione sbagliata sulla ricevente che potrebbe anche causare un incidente	NON volare. Prima correggere l'impostazione della direzione (facendo riferimento al manuale della ricevente) e poi volare

Guida alla risoluzione dei problemi

Problema	Possibile caus	Soluzione
L'aereo non risponde al comando motore mentre risponde agli altri comandi	Motore non al minimo e/o trim motore troppo alto	Ripristinare i controlli con lo stick motore e il suo trim completamente in bass
	La corsa del servo motore è inferiore al 100%	Accertarsi che la corsa del servo motore sia almeno al 100% o maggiore
	Il canale del motore è invertito	Invertire il canale motore sulla trasmittente
	Motore scollegato dall'ESC	Verificare che il motore sia collegato all'ESC
Eccessivo rumore dell'elica o vibrazioni	Elica, ogiva, adattatore o motore danneggiati	Sostituire le parti danneggiate
	L'elica è sbilanciata	Bilanciare o sostituire l'elica
	Il dado dell'elica è allentato	Stringere il dado dell'elica
Tempo di volo ridotto o aereo sottopotenziato	La batteria di bordo è quasi scarica	Ricaricare completamente la batteria di bordo
	Elica installata al contrario	Installare l'elica con i numeri rivolti in avanti
	Batteria di bordo danneggiata	Sostituire la batteria di bordo seguendo le istruzioni
	La temperatura ambientale potrebbe essere troppo bassa	Accertarsi che la batteria sia calda prima dell'uso
	La capacità della batteria troppo bassa per le condizioni di volo	Sostituire la batteria o usarne una con capacità maggiore
L'aereo non si connette alla trasmittente (durante la connessione)	Trasmittente troppo vicina all'aereo durante la procedura di connessione	Allontanare la trasmittente dall'aereo, scollegare e ricollegare la batteria all'aereo
	Aereo o trasmittente troppo vicini a grossi oggetti metallici, sorgenti wifi o altre trasmittenti	Spostarsi in un'altra posizione e ritentare la connessione
	Il Bind Plug non è collegato correttamente alla sua presa sulla ricevente	Inserire il Bind Plug nella sua presa e connettere l'aereo alla trasmittente
	La batteria di bordo e/o quella della trasmittente sono quasi scariche	Sostituire/ricaricare le batterie
	Il comando di Bind sulla trasmittente non mantenuto premuto abbastanza a lungo durante la procedura di connessione	Spegnere la trasmittente e ripetere la procedura di connessione mantenendo premuto il comando di Bind finché la ricevente non è connessa
L'aereo non si connette alla trasmittente (dopo la connessione)	Trasmittente troppo vicina all'aereo durante la procedura di connessione	Allontanare la trasmittente dall'aereo, scollegare e ricollegare la batteria all'aereo
	Aereo o trasmittente troppo vicini a grossi oggetti metallici, sorgenti wifi o altre trasmittenti	Spostarsi in un'altra posizione e ritentare la connessione
	Bind Plug rimasto inserito nella sua presa sulla ricevente	Rifare la connessione tra aereo e trasmittente togliendo il Bind Plug prima di spegnere e riaccendere
	Aereo connesso con una differente memoria di modello (solo con radio Modelmatch)	Scegliere il modello corretto sulla trasmittente
	La batteria di bordo e/o quella della trasmittente sono quasi scariche	Sostituire/ricaricare le batterie
	La trasmittente potrebbe essere connessa ad un aereo diverso con un protocollo DSM differente	Connettere l'aereo alla sua trasmittente

Problema	Possibile causa	Soluzione
Le superfici di controllo non si muovono	Superficie di controllo, squadretta, rinvio o servo danneggiati	Riparare o sostituire le parti danneggiate regolando i comandi
	Fili danneggiati o collegamenti allentati	Verificare i cablaggi e i collegamenti, collegare o sostituire secondo necessità
	La trasmittente non è connessa correttamente o è stato scelto l'aereo sbagliato	Rifare la connessione o scegliere l'aereo corretto sulla trasmittente
	Batteria di bordo scarica	Ricaricare la batteria interessata
	BEC (circuito che alimenta l'impianto ricevente) dell'ESC danneggiato	Sostituire l'ESC
Comandi invertiti	Le impostazioni sulla trasmittente sono invertite	Eseguire una verifica sulla direzione dei comandi e apportare le opportune modifiche
Il motore pulsa perdendo potenza	Si è attivata la funzione LVC dell'ESC	Ricaricare la batteria o sostituirla se non più performante
	La temperatura ambientale potrebbe essere troppo bassa	Rimandare il volo aspettando che la temperatura si alzi
	La batteria è vecchia o danneggiata	Sostituire la batteria
	La batteria non è in grado di fornire la corrente necessaria	Usare il tipo di batteria consigliato

Parti di ricambio

Nr. parte	Descrizione
EFL7801	Fusoliera: F-16 Thunderbird 70mm EDF
EFL7802	Set ala: F-16 Thunderbird 70mm EDF
EFL7803	Stabilizzatore verticale: F-16 Thunderbird 70mm EDF
EFL7804	Stabilizzatori orizzontali: F-16 Thunderbird 70mm EDF
EFL7805	Missili estremità alari 1: F-16 Thunderbird 70mm EDF
EFL7807	Cockpit/portello: F-16 Thunderbird 70mm EDF
EFL7808	Cono anteriore: F-16 Thunderbird 70mm EDF
EFL7809	Set alette ventrali: F-16 Thunderbird 70mm EDF
EFL7811	Set carrello muso: F-16 Thunderbird 70mm EDF
EFL7812	Set carrello principale: F-16 Thunderbird 70mm EDF
EFL7814	Sistema carrello muso: F-16 Thunderbird 70mm EDF
EFL7815	Sistema carrello principale: F-16 Thunderbird 70mm EDF
EFL7816	Carter carrello d'atterraggio: F-16 Thunderbird 70mm EDF
EFL7817	Set asta di collegamento: F-16 Thunderbird 70mm EDF
EFL7818	Tubo ala: F-16 Thunderbird 70mm EDF
EFL7819	Set viti: F-16 Thunderbird 70mm EDF
EFL7820	Set ruote: F-16 Thunderbird 70mm EDF
EFL7821	Decalcomanie: F-16 Thunderbird 70mm EDF
EFL7822	Perni retr. gambe: F-16 70 mm EDF
SPMXAE85C	Avian 85 A Smart Lite Brushless ESC; 3S-6S, IC5
EFLA7012DF	Ventola intubata 70 mm
EFLG325	E-Retract carrello anteriore: F-16 70 mm EDF
EFLG326	E-Retract. carr. princip.: F-16 70 mm EDF

Nr. parte	Descrizione
SPMXAM3000	Motore in-runner brushless 3060-1900Kv 4 poli
SPMSA335	Servo digitale A335 9g con ingranaggi in metallo
SPMSA335R	A335R, servo digitale ingr. metallo 9 g inv.
SPMAR631	Ricevitore AR631 6 canali AS3X/SAFE

Elementi consigliati

Nr. parte	Descrizione
SPMX32006S30	3200 mAh 6S 22,2 V Smart 30C, IC5
SPMXCA507	Adattatore: IC3 batteria/IC5 dispositivo
SPMR6775	NX6 6 canali solo trasmittente
SPMXC2080	Caricabatterie Smart S1100 G2 1x100W AC

Accessori opzionali

Nr. parte	Descrizione
SPMR8200	NX8 8 CH solo trasmittente
SPMXC2000	Caricabatterie Smart S2100 G2 2x100W AC
SPMX32006S50	3200 mAh 6S 22,2 V Smart 50C, IC5
SPMX40006S50	4000 mAh 6S 22,2 V Smart 50C; IC5
SPMX40006S30	4000 mAh 6S 22,2 V Smart 30C; IC5
DYN1405	Borsa per caricabatterie LiPo, grande
SPM6722	Custodia TX Spektrum velivolo singolo

Garanzia

Periodo di garanzia

Garanzia esclusiva - Horizon Hobby, LLC (Horizon) garantisce che il prodotto acquistato (il "Prodotto") sarà privo di difetti relativi ai materiali e di eventuali errori di montaggio alla data di acquisto. Il periodo di garanzia è conforme alle disposizioni legali del paese nel quale il prodotto è stato acquistato. Tale periodo di garanzia ammonta a 6 mesi e si estende ad altri 18 mesi dopo tale termine.

Limiti della garanzia

- (a) La garanzia è limitata all'acquirente originale (Acquirente) e non è cedibile a terzi. L'acquirente ha il diritto a far riparare o a far sostituire la merce durante il periodo di questa garanzia. La garanzia copre solo quei prodotti acquistati presso un rivenditore autorizzato Horizon. Altre transazioni di terze parti non sono coperte da questa garanzia. La prova di acquisto è necessaria per far valere il diritto di garanzia. Inoltre, Horizon si riserva il diritto di cambiare o modificare i termini di questa garanzia senza alcun preavviso e di escludere tutte le altre garanzie già esistenti.
- (b) Horizon non si assume alcuna garanzia per la disponibilità del prodotto, per l'adeguatezza o l'idoneità del prodotto a particolari previsti dall'utente. È sola responsabilità dell'acquirente il fatto di verificare se il prodotto è adatto agli scopi da lui previsti.

- (c) Richiesta dell'acquirente – spetta soltanto a Horizon, a propria discrezione riparare o sostituire qualsiasi prodotto considerato difettoso e che rientra nei termini di garanzia. Queste sono le uniche rivalse a cui l'acquirente si può appellare, se un prodotto è difettoso.

Horizon si riserva il diritto di controllare qualsiasi componente utilizzato che viene coinvolto nella rivalsa di garanzia. Le decisioni relative alla sostituzione o alla riparazione sono a discrezione di Horizon. Questa garanzia non copre dei danni superficiali o danni per cause di forza maggiore, uso errato del prodotto, un utilizzo che viola qualsiasi legge, regolamentazione o disposizione applicabile, negligenza, uso ai fini commerciali, o una qualsiasi modifica a qualsiasi parte del prodotto. Questa garanzia non copre danni dovuti ad un'installazione errata, ad un funzionamento errato, ad una manutenzione o un tentativo di riparazione non idonei a cura di soggetti diversi da Horizon. La restituzione del prodotto a cura dell'acquirente, o da un suo rappresentante, deve essere approvata per iscritto dalla Horizon.

Limiti di danno

Horizon non si riterrà responsabile per danni speciali, diretti, indiretti o consequenziali; perdita di profitto o di produzione; perdita commerciale connessa al prodotto, indipendentemente dal fatto che la richiesta si basa su un contratto o sulla garanzia. Inoltre la responsabilità di Horizon non supera mai in nessun caso il prezzo di

acquisto del prodotto per il quale si chiede la responsabilità. Horizon non ha alcun controllo sul montaggio, sull'utilizzo o sulla manutenzione del prodotto o di combinazioni di vari prodotti. Quindi Horizon non accetta nessuna responsabilità per danni o lesioni derivanti da tali circostanze. Con l'utilizzo e il montaggio del prodotto l'utente acconsente a tutte le condizioni, limitazioni e riserve di garanzia citate in questa sede.

Qualora l'utente non fosse pronto ad assumersi tale responsabilità associata all'uso del prodotto, si suggerisce di restituire il prodotto intatto, mai usato e immediatamente presso il venditore.

Indicazioni di sicurezza

Questo è un prodotto sofisticato di hobbistica e non è un giocattolo. Esso deve essere manipolato con cautela, con giudizio e richiede delle conoscenze basilari di meccanica e delle facoltà mentali di base. Se il prodotto non verrà manipolato in maniera sicura e responsabile potrebbero risultare delle lesioni, dei gravi danni a persone, al prodotto o all'ambiente circostante. Questo prodotto non è concepito per essere usato dai bambini senza una diretta supervisione di un adulto. Il manuale del prodotto contiene le istruzioni di sicurezza, di funzionamento e di manutenzione del prodotto stesso. È fondamentale leggere e seguire tutte le istruzioni e le avvertenze nel manuale prima di mettere in funzione il prodotto. Solo così si eviterà un utilizzo errato e si preverranno incidenti, lesioni o danni.

Domande, assistenza e riparazioni

Il vostro negozio locale e/o luogo di acquisto non possono fornire garanzie di assistenza o riparazione senza previo colloquio con Horizon. Questo vale anche per le riparazioni in garanzia. Quindi in tale caso bisogna interpellare un rivenditore, che si metterà in contatto subito con Horizon per prendere una decisione che vi possa aiutare nel più breve tempo possibile.

Manutenzione e riparazione

Se il prodotto deve essere ispezionato o riparato, si prega di rivolgersi ad un rivenditore specializzato o direttamente ad Horizon. Il prodotto deve essere imballato con cura. Bisogna far notare che i box originali solitamente non sono adatti per effettuare una

spedizione senza subire alcun danno. Bisogna effettuare una spedizione via corriere che fornisce una tracciabilità e un'assicurazione, in quanto Horizon non si assume alcuna responsabilità in relazione alla spedizione del prodotto. Inserire il prodotto in una busta assieme ad una descrizione dettagliata degli errori e ad una lista di tutti i singoli componenti spediti. Inoltre abbiamo bisogno di un indirizzo completo, di un numero di telefono per chiedere ulteriori domande e di un indirizzo e-mail.

Garanzia e riparazione

Le richieste in garanzia verranno elaborate solo se è presente una prova d'acquisto in originale proveniente da un rivenditore specializzato autorizzato, nella quale è ben visibile la data di acquisto. Se la garanzia viene confermata, allora il prodotto verrà riparato o sostituito. Questa decisione spetta esclusivamente a Horizon Hobby.

Riparazioni a pagamento

Se bisogna effettuare una riparazione a pagamento, effettueremo un preventivo che verrà inoltrato al vostro rivenditore. La riparazione verrà effettuata dopo l'autorizzazione da parte del vostro rivenditore. La somma per la riparazione dovrà essere pagata al vostro rivenditore. Le riparazioni a pagamento avranno un costo minimo di 30 minuti di lavoro e in fattura includeranno le spese di restituzione. Qualsiasi riparazione non pagata e non richiesta entro 90 giorni verrà considerata abbandonata e verrà gestita di conseguenza.

ATTENZIONE: Le riparazioni a pagamento sono disponibili solo sull'elettronica e sui motori. Le riparazioni a livello meccanico, soprattutto per gli elicotteri e le vetture RC, sono molto costose e devono essere effettuate autonomamente dall'acquirente.

10/15

Garanzia e Assistenza - Informazioni per i contatti

Stato di acquisto	Horizon Hobby	Telefono/Indirizzo e-mail	Indirizzo
Unione Europea	Horizon Technischer Service	service@horizonhobby.de	Hanskampring 9
	Sales: Horizon Hobby GmbH	+49 (0) 4121 2655 100	D 22885 Barsbüttel, Germany

Dichiarazione di conformità per l'Unione europea



Dichiarazione di conformità UE:

F-16 Thunderbirds 70mm EDF BNF Basic (EFL178500): Con la presente, Horizon Hobby, LLC dichiara che il dispositivo è conforme a quanto segue: Direttiva europea sulle apparecchiature radio (RED)

2014/53/UE; Direttiva RoHS 2 2011/65 / UE; Direttiva RoHS 3 - Modifica 2011/65 / UE allegato II 2015/863.

F-16 Thunderbirds 70mm EDF PNP (EFL013575): Con la presente, Horizon Hobby, LLC dichiara che il dispositivo è conforme a quanto segue: Direttiva europea sulla compatibilità elettromagnetica (EMC) 2014/30/UE; Direttiva RoHS 2 2011/65 / UE; Direttiva RoHS 3 - Modifica 2011/65 / UE allegato II 2015/863.

Il testo completo della dichiarazione di conformità UE è disponibile al seguente indirizzo internet: <https://www.horizonhobby.com/content/support-render-compliance>.

Gamma di frequenza wireless / Potenza di uscita wireless:

Ricevitore

2404-2476MHz
5.58dBm

Produttore ufficiale dell'UE:

Horizon Hobby, LLC
2904 Research Road
Champaign, IL 61822 USA

Importatore ufficiale dell'UE:

Horizon Hobby, GmbH
Hanskampring 9
22885 Barsbüttel Germany

AVVISO RAEE:



Questo dispositivo è marcato ai sensi della Direttiva europea 2012/19/UE riguardante i rifiuti di apparecchiature elettriche ed elettroniche (RAEE). Il simbolo indica che il prodotto non va smaltito insieme ai rifiuti domestici. Il prodotto deve essere consegnato agli appositi centri di raccolta per consentirne il recupero e il riciclaggio.



©2023 Horizon Hobby, LLC.

E-flite, Plug-N-Play, Bind-N-Fly, BNF, the BNF logo, DSM, DSM2, DSMX, Spektrum AirWare, IC3, IC5, AS3X, SAFE, the SAFE logo, ModelMatch, and the Horizon Hobby logo are trademarks or registered trademarks of Horizon Hobby, LLC.

The Spektrum trademark is used with permission of Bachmann Industries, Inc. All other trademarks, service marks and logos are property of their respective owners.
US 8,672,726 US 9,056,667 US 9,753,457. US 10,078,329. US 9,930,567. US 10,419,970. Other patents pending.

<http://www.horizonhobby.com/>