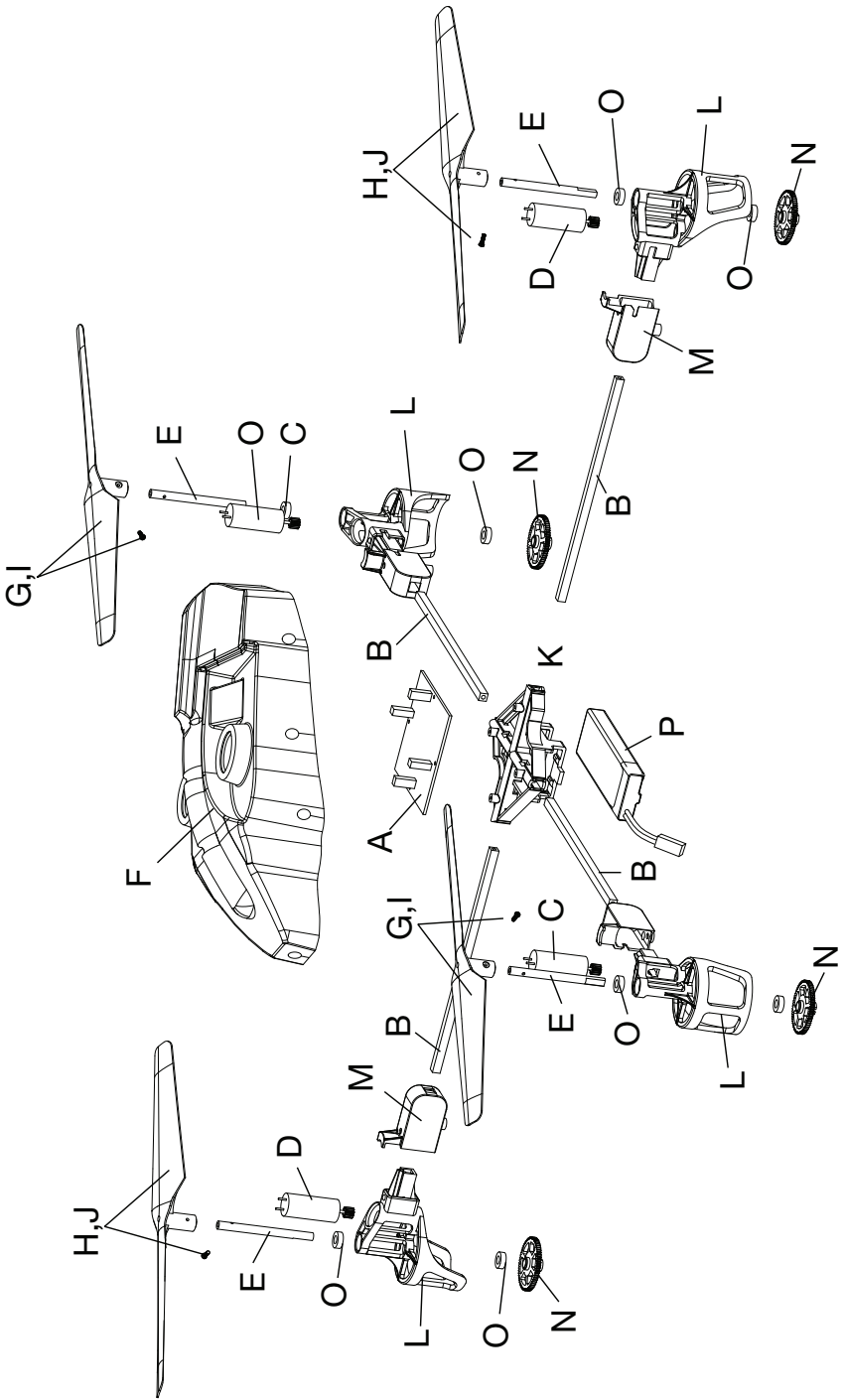


Exploded View



Parts Listings

Part #	Description	Part #	Description		
A	BLH7501	4-in-1 Control Unit, Rx/ESCs/Mixer/Gyros: mQX	M	BLH7562	Motor Mount Cover (2): mQX
B	BLH7502	Thruster Boom with Wiring (2): mQX	N	BLH3506	Main Gear: BMSR/X, mCP X, mQX
C	BLH7503	Motor with Pinion, Clockwise Rotation: mQX	O	BLH3515, EFLH2215	Outer Shaft Bearing 3 x 6 x 2mm(2): BMCX/2/MSR/X, FHX, MH-35, MCP X, mQX
D	BLH7504	Motor with Pinion, Counterclockwise Rotation: mQX	P	EFLB 5001S30	500mAh 1-Cell 3.7V 30C Li-Po
E	BLH7513	Propeller Shaft, Carbon: mQX		BLH3126	JST-RCY to Ultra Micro Battery Adapter lead
F	BLH7514	Canopy: mQX		EFLC1005/UK/EU/AU	AC to 6VDC 1.5-Amp Power Supply (Based upon your sales region)
G	BLH7520	Propeller, Clockwise Rotation, Black (2): mQX		EFLH1064/B	MLP4DSM 4CH Transmitter, 2.4GHz Mode 2
H	BLH7521	Propeller, Counterclockwise Rotation, Black (2): mQX		EFLH10641	MLP4DSM 4CH Transmitter, 2.4GHz Mode 1
I	BLH7522	Propeller, Clockwise Rotation, White (2): mQX		EFLC1006	Celectra 1S 3.7v Variable Rate DC Li-Po Charger
J	BLH7523	Propeller, Counterclockwise Rotation, White (2): mQX			
K	BLH7539	4-in-1 Control Unit Mounting Frame: mQX			
L	BLH7561	Motor Mount with Landing Skid: mQX			

Optional Parts

Part #	Description	Part #	Description
BLH75200R	Propeller, Clockwise Rotation, Orange (2): mQX	EFLA243	JST Female Connector with Lead, 20 Gauge (2) by E-flite
BLH75210R	Propeller, Counterclockwise Rotation, Orange (2): mQX		DX5e DSMX 5-Channel Transmitter Only
EFLC3025/AU/EU/UK	Celectra 80W AC/DC Multi-Chemistry Battery Charger (Based upon your sales region)		DX6i DSMX 6-Channel Transmitter Only