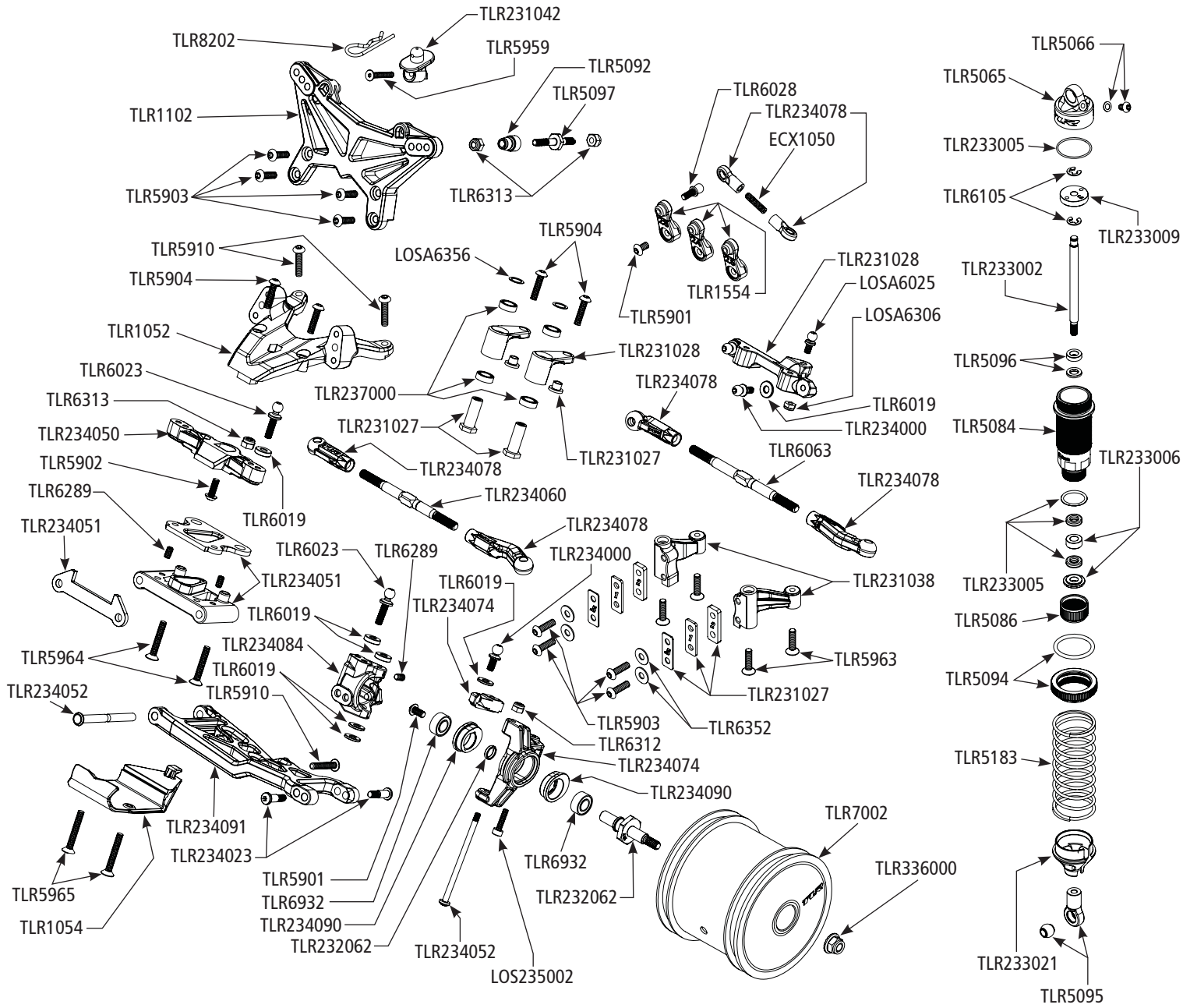
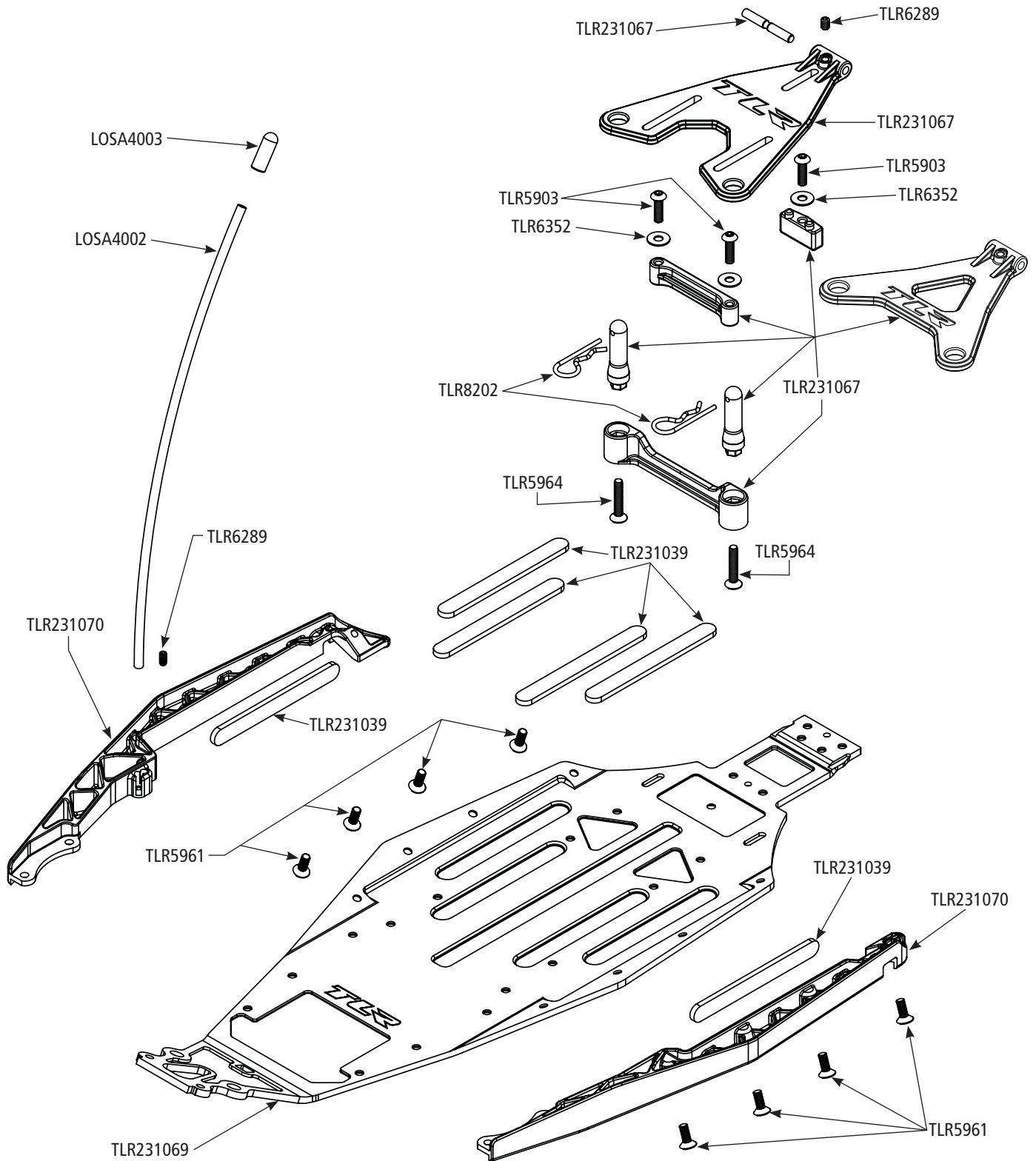


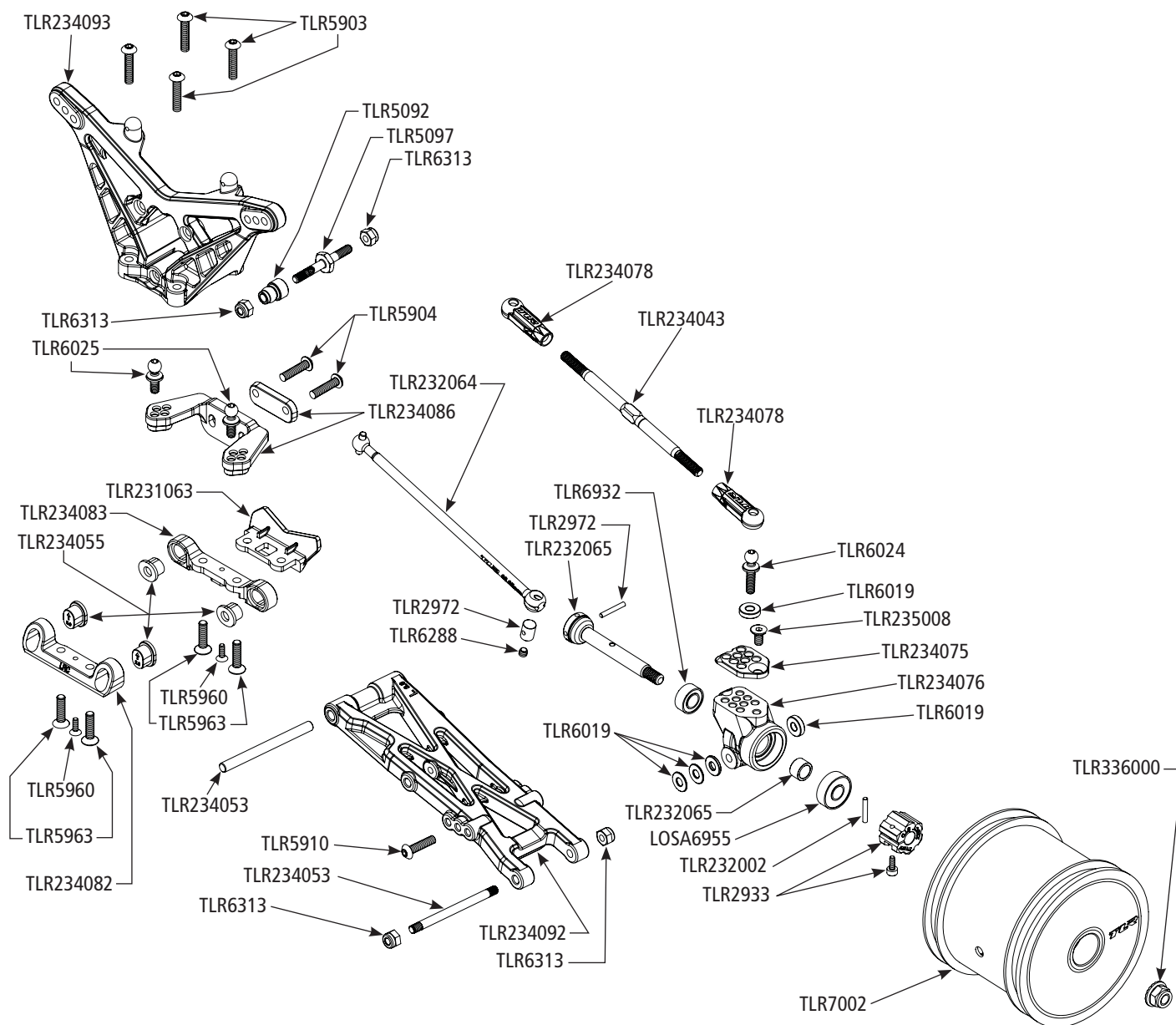
REPLACEMENT PARTS / ERSATZTEILE / PIÈCES DE RECHANGE / PEZZI DI RICAMBIO / PIEZAS DE REPUESTO



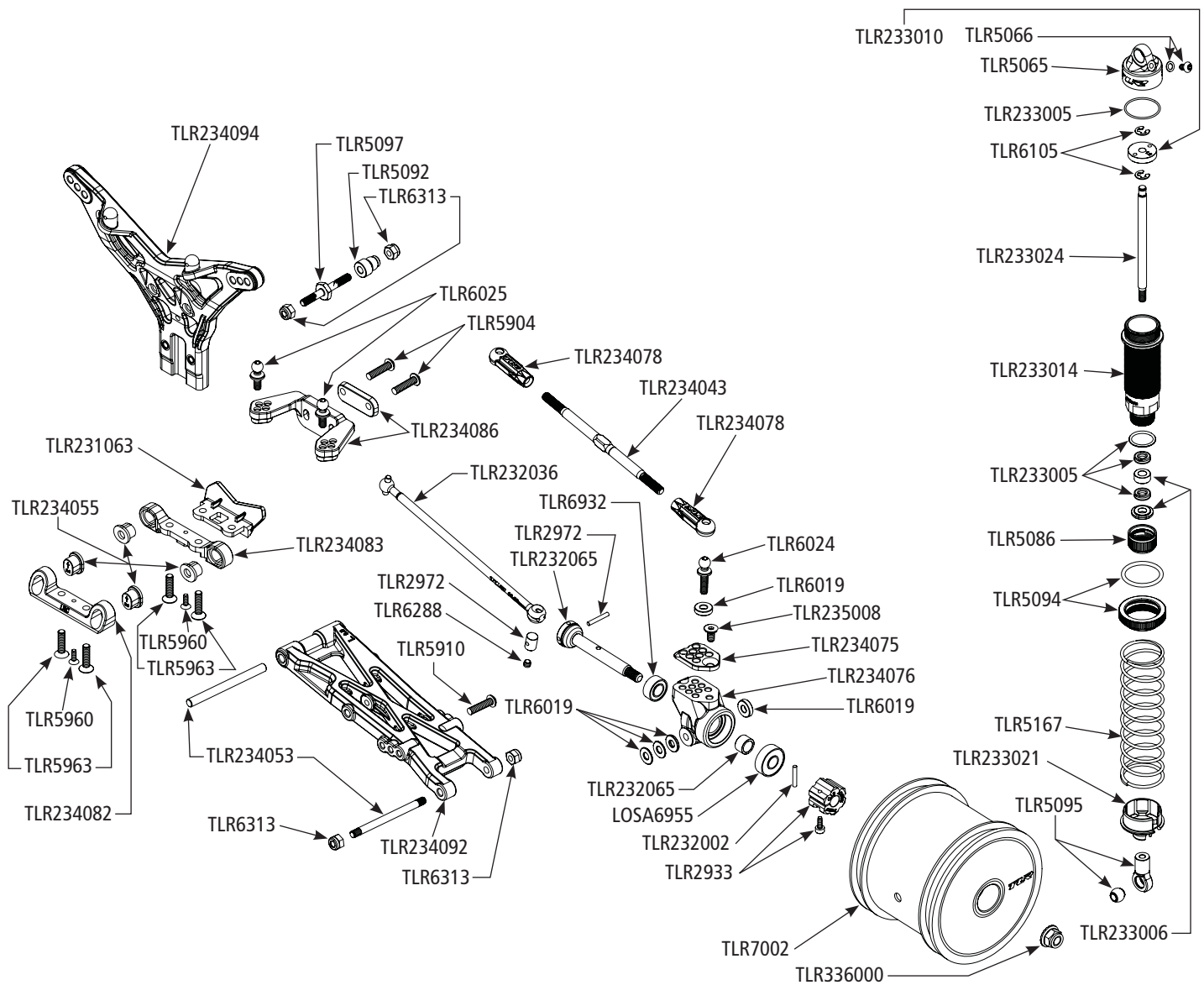
Part #	English	Deutsch	Français	Italiano	Español
DYN2267	Servo Tape, Black; 1 1/2"	Servo-Band, Schwarz 38mm	Adhésif servo, noir, 38mm	Nastro per servo, nero; 1 1/2"	Adhesiva servo, negro, 38mm
ECX1050	M3 x 12mm Set Screw (4)	TLR Schraubenset, M3 x 12mm (4)	Vis sans tête, M3 x 12mm (4)	Grano, M3 x 12mm (4)	Tornillos allen, M3 x 12mm (4)
LOS235002	M2.5 x 10mm Cap Head Screw (10)	Rundkopfschrauben M2,5x10 mm (10 Stk)	Vis CHC, M2,5 x 10mm (10)	Vite con testa a brugola, M2,5 x 10mm (10)	Tornillo redondo M2.5 x 10mm (10)
LOSA4002	Antenna Kit	Losi Antennen Kit	Tube d'antenne	Kit antenna	Kit de antena
LOSA4003	Antenna Caps	Losi Antennen Kappe	Capuchons d'antenne (8)	Tappi antenna	Tapones de antena
LOSA6025	Ball Studs & Ends, HD, 4-40x.215"	Losi Kugelpfannen u.Kugelhöpfe HD 4-40 x .215	Rotules renforcées 4-40 x .215	Prigionieri e terminali sfera, HD, 4-40x.215"	Juntas reforzadas 4-40x.215
LOSA6201	3mm x 6mm Socket Head Screw	Losi Inbuschraube 3mm x 6mm	Vis CHC M3x6mm (10)	3mm x 6mm Vite a brugola	Tornillos con cabeza tipo Allen 3x6mm
LOSA6306	4-40 Aluminum Mini-Nuts (10)	Losi 4-40 Aluminium Mini-Muttern (10)	Mini écrous 4-40 (10)	4-40 Mini dadi alluminio (10)	Mini-tuercas aluminio 4-40 (10)
LOSA6356	Shim Set, Metric 5mm/6mm	Unterlegscheiben Set Metrisch 5mm/6mm	Set de cales 5mm/6mm	Set spessori, metrici 5mm/6mm	Set de cuñas 5mm/6mm



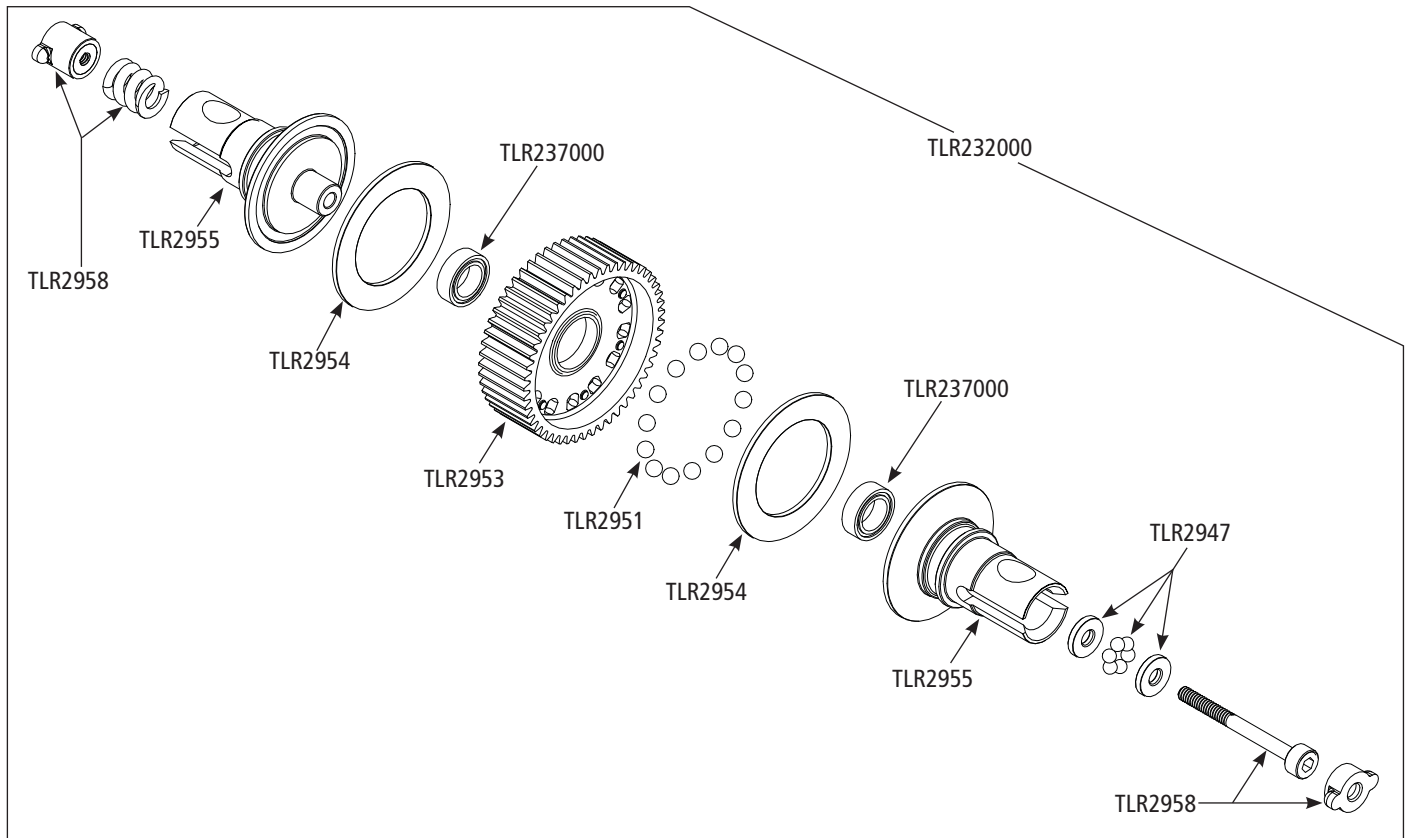
Part #	English	Deutsch	Français	Italiano	Español
LOSA6943	10 x 15mm Sealed Ball Bearing (2): 22	Losi 10 X 15mm Kugellager gekapselt (2): 22	22 - Roulements étanches 10 x15mm (2)	10 x 15mm Cuscinetti stagni (2): 22	Rodamiento sellado 10x15mm (2): 22
LOSA6955	5 x 13mm HD Clutch Bearings (2): 8B/8T	Losi 5 x 13mm HD Kupplungslager (2):8B/8T	8B/8T - Roulements renforcés 5 x 13mm	5 x 13mm HD Cuscinetti frizione (2): 8B/8T	Rodamientos campana HD 5x13mm (2): 8B/8T
TLR1052	Front Bulkhead: 22	TLR Dampferbrücke vorne: 22	22 - Cellule avant	Paratia anteriore: 22	Caja delantera: 22
TLR1054	Front Bumper: 22	TLR Stoßfänger vorne: 22	Pare-choc avant	Paraurti anteriore: 22	Paragolpes delantero: 22
TLR1102	Shock Tower & Body Mounts, Front: 22T	Dämpferbrücke & Karosseriehalter: 22	22T-Support d'amortisseur et de carrosserie avant	Torre ammortizzatore e supporto carrozzeria, anteriore: 22T	Soportes del amortiguador y de la carrocería delanteros: 22



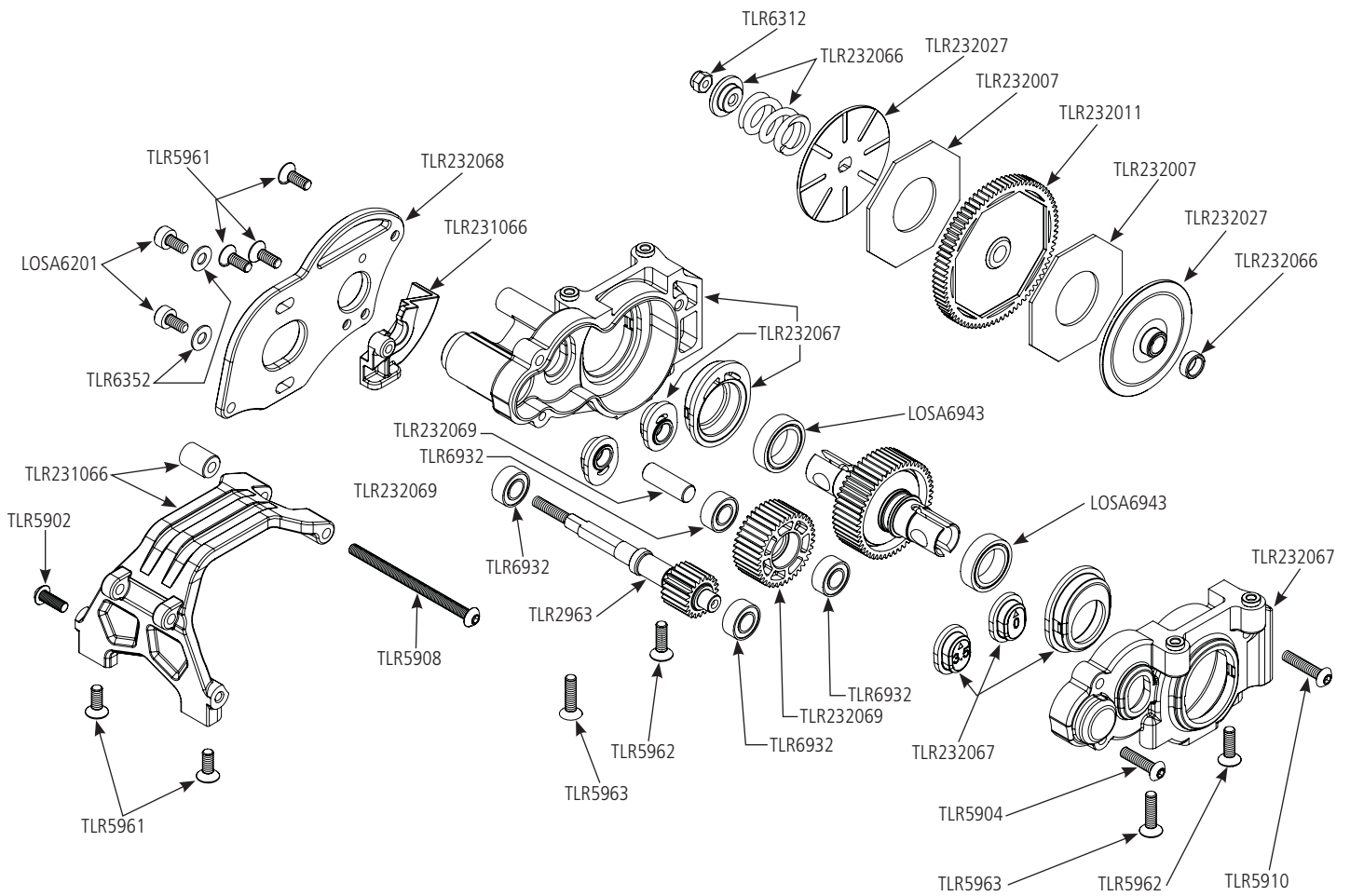
Part #	English	Deutsch	Français	Italiano	Español
TLR1554	Servo Horn Set, Steering: 22	TLR Servohorn Set: Lenkung: 22	22 - Bras de servo	Set squadrette servo, sterzo: 22	Brazos servo dirección: 22
TLR230011	Body Set, Clear w/Stickers: 22T 4.0	TLR 22T 4.0: Karoserieset mit Aufkleber	22T 4.0 - Carrosserie transparente avec stickers	22T 4.0 Set carrozzeria con adesivi	Carrocería 22T 4.0 con decoración
TLR231027	Bell Crank Steering System w/ HDWR: 22/2.0/T/SCT	TLR Lenkung mit Lenkhebel m. HDWR: 22SCT 2.0	22/2.0/T/SCT - Système de direction à pivots	Rinvio angolare sistema sterzo c/HDWR 22/2.0/T/SCT	Sistema de dirección a pivotes: 22/2.0/T/SCT
TLR231028	Bell Crank and Drag Links: 22/2.0/T/SCT	TLR Lenkhebel mit Zugstange: 22SCT 2.0	22/2.0/T/SCT - Renvois de direction	Rinvio angolare e trascinato: 22/2.0/T/SCT	Pivotes y biela de arrastre: 22/2.0/T/SCT
TLR231038	Servo Mount/Chassis Brace: 22 3.0	TLR 22 3.0 Servohalter	22 3.0 - Support de servo / Renfort de châssis	Supporto servo/Rinforzo telaio: 22 3.0	Soporte Servo/Brazo Chasis: 22 3.0
TLR231039	Chassis Foam Set: 22 3.0	TLR 22 3.0 Schaumset Chassis	22 3.0 - Mousse de châssis	Set gommapiuma telaio: 22 3.0	Protectores Espuma Chasis: 22 3.0
TLR231042	Front Body Mount Set: 22T/2.0	Karoseriehalterset: 22T/2.0	22T/2.0 - Support de carrosserie avant	Set supporto carrozzeria anteriore: 22T 3.0	Soportes de carrocería delantero: 22T/2.0
TLR231063	Rear Wing Stay & Washers: 22 4.0	Flügelhalter hinten und Distanzstücke: 22 4.0	22 4.0 - Support d'aileron arrière avec rondelles	Appoggio alettone posteriore e rondelle: 22 4.0	Soporte del alerón trasero con arandelas: 22 4.0
TLR231066	Gearbox/Chassis Brace LD: 22 4.0	Getriebebox/ Chassishalterung LD: 22 4.0	22 4.0 - Cellule/Renfort châssis, Laydown	Scatola cambio/montante telaio laydown: 22 4.0	Caja Transmisión/Brazo chasis Laydown: 22 4.0
TLR231067	Battery Mount Set: 22 4.0	TLR 22 4.0 Akkuhalterset	22 4.0 - Support batterie	Set supporto batteria: 22 4.0	Soportes Batería: 22 4.0
TLR231069	Chassis: 22T 4.0	TLR 22T 4.0 Chassis	22T 4.0 - Châssis	Telaio: 22T 4.0	Chasis: 22T 4.0



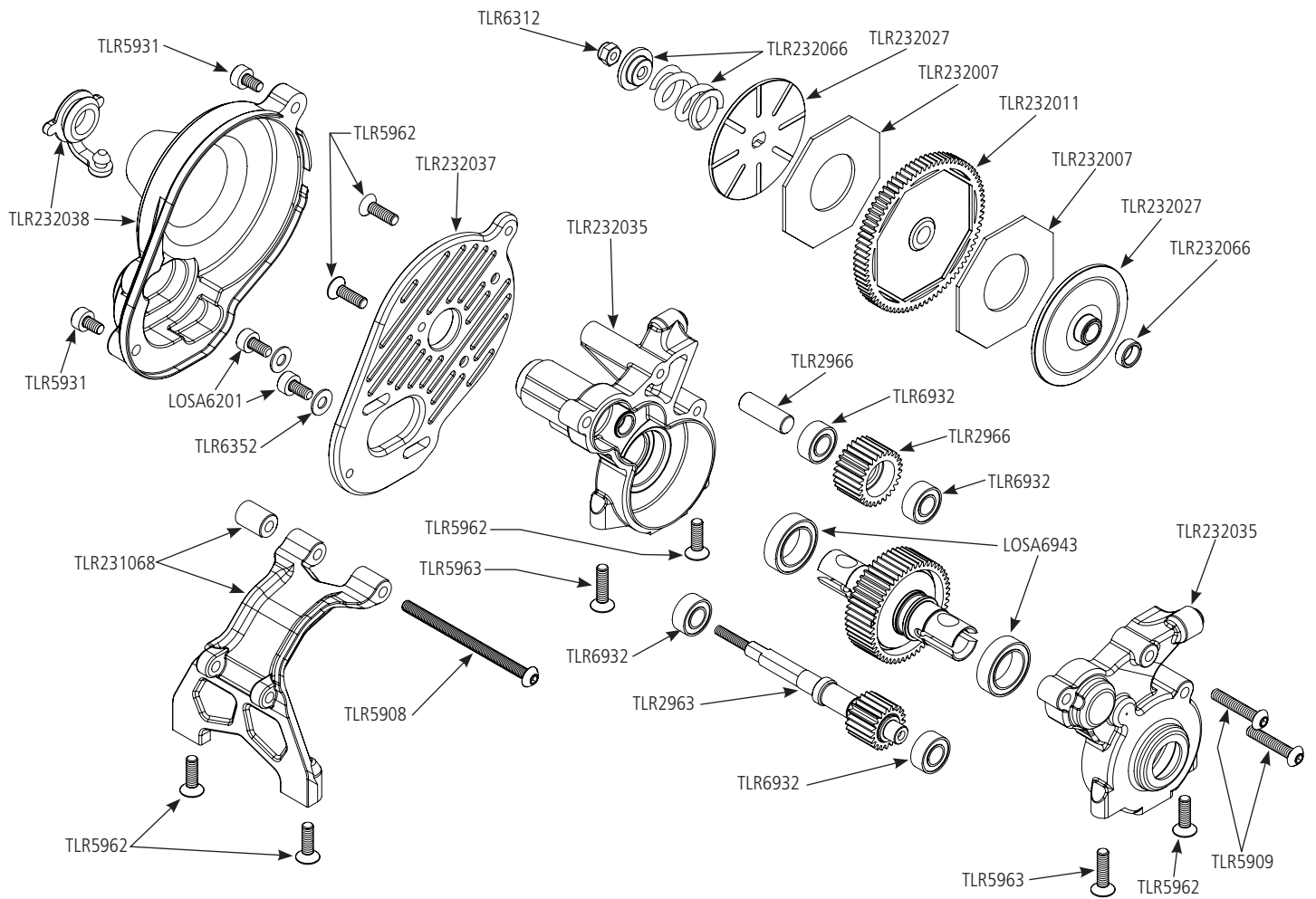
Part #	English	Deutsch	Français	Italiano	Español
TLR231070	Mud Guard Set, Stiffezel: 22T 4.0	Kortflügel. 22T 4.0	222T 4.0 - Bavettes, Stiffezel	Set parafanghi: 22T 4.0	Guardabarros, Stiffezel: 22T 4.0
TLR232002	Solid Drive Pin Set (8): 22/T/ SCT	TLR Antriebspin Set (8): 22/T/ SCT	22/T/SCT - Jeu de goupilles d'entraînement pleines (8)	Set perni trasmissione (8): 22/T/SCT	Pasador sólido rueda cardan (8): 22/T/SCT
TLR232007	HDS Slipper Pad (2)	TLR HDS Slipper Pad (2)	Garniture de slipper HDS (2)	HDS Pattino antisaltellamento (2)	Almohadillas embrague HDS (2)
TLR232011	HDS Spur Gear, 82T 48P, Kevlar: All 22	TLR HDS Zahnrad 82T 48P Kevlar: alle 22	22 - Couronne Kevlar HDS, 82T 48P	Corona HDS, 82T 48P, Kevlar: tutte le 22	Corona HDS 82T 48P kevlar: Todos 22
TLR232027	Grooved Slipper Plates (2): All 22/XXX	TLR Rutschkupplungbeläge geriffelt (2) : alle 22/XXX	22/XXX - Plateaux de slipper rainurés (2)	Piastre slipper scanalate: tutti 22/XXX	Placas de Slipper ranurados: 22/XXX Todos
TLR232064	CVA Set Comp 93.25mm: 22T 3.0	CVA Antriebswellenset komplett (2): 22T 3.0	22T 3.0 - Cardans CVD complets (2)	Set completo albero trasmissione CVA (2): 22T 3.0	Eje de transmisión completo CVA (2): 22T 3.0
TLR232065	CVA Driveshaft Bone, 93.25mm (2): 22SCT 3.0	CVA Antriebswelle Knochen (2)	22SCT 3.0 - Tiges de cardans CVD (2)	Snodo albero trasmissione CVA (2): 22SCT 3.0	Varillas del eje de transmisión (2): 22SCT 3.0
TLR232066	HD Slipper Spring Set: All 22	Federset Slipper HD: alle 22	22 - Set de ressort de slipper renforcé	Set molla antisaltellamento HD: tutte le 22	Muelle Slipper: Todos 22
TLR232067	Gear Case Set 3Gear Laydown: 22 4.0	Getriebegehäuse Set 3Gear Laydown: 22 4.0	22 4.0 - Carter de transmission, Laydown 3 étages	Set scatola cambio laydown: 22 4.0	Conjunto Caja Transmisión, 3-Engranajes Laydown: 22 4.0
TLR232068	Motor Plate 3 Gear Laydown: 22 4.0	Motorplatte 3 Gear Laydown: 22 4.0	22 4.0 - Support moteur, Laydown 3 étages	Piastra motore laydown: 22 4.0	Placa Motor, 3-Engranajes Laydown: 22 4.0
TLR232069	Idle Gear & Shaft Laydown: 22 4.0	Zwischenrad & Welle Laydown: 22 4.0	22 4.0 - Pignon intermédiaire & arbre, Laydown	Ruota folle completa di albero, laydown: 22 4.0	Piñón intermedio y eje Laydown: 22 4.0
TLR233002	Shock Shaft, 3.5 x 50mm, TiCN (2)	TLR Kolbenstange 3.5 x 50mm TiCN (2)	Tiges d'amortisseurs, 3.5x50mm, TiCN (2)	Albero ammortizzatore, 3.5 x 50mm, TiCN (2)	Vástago amortiguador TiCN 3.5x50mm (2)



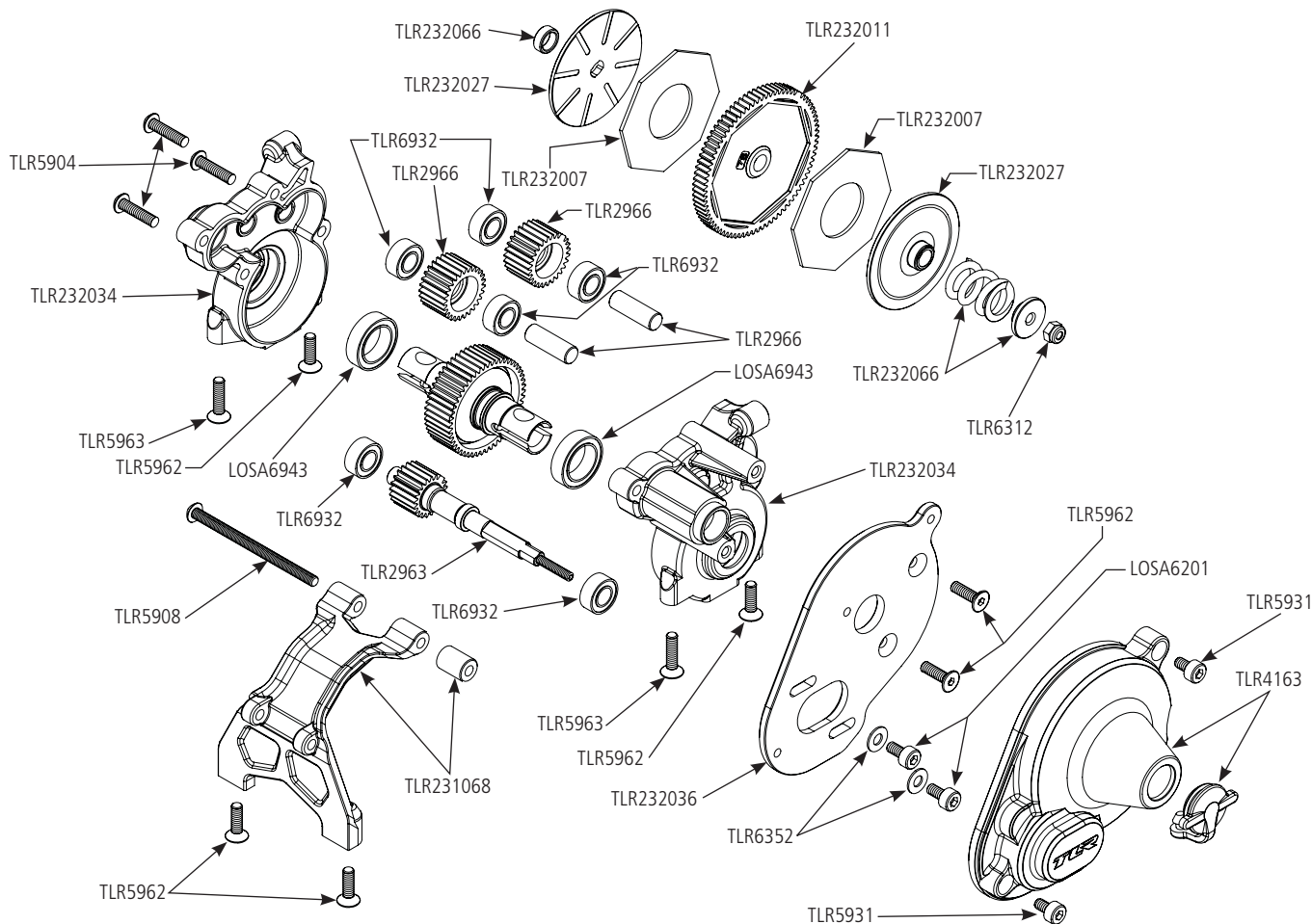
Part #	English	Deutsch	Français	Italiano	Español
TLR233005	Seal Set, X-Rings, Shock Cap O-Rings: All 22	TLR Dichtungsset X Ringe Stoßdämpferkappen O-ringe: alle 22	22 - Set de joints d'étanchéité et toriques de bouchons d'amortisseurs	Set guarnizioni, x-ring, o-ring tappo ammortizzatore: All 22	Tóricas amortiguador: Todos 22
TLR233006	Shock Bushing Set, Machined (4): All 22	TLR Stoßdämpferlager Set (4) alle 22	22 - Set de paliers d'amortisseurs usinés (4)	Set boccole ammortizzatore, fresate (4): tutti 22	Casquillos amortiguador (4): Todos 22
TLR233009	Shock Piston 12mm 1.6x2 CNC Machined(4): All22,SCTE	TLR Stoßdämpferkolben 12 1.6x2 CNC (4) alle 22, SCTE	22, SCTE - Pistons d'amortisseurs usinés CNC diamètre 12mm, 1,6x2 trous (4)	Pistone ammortizzatore 12mm 1.6x2 prodotto con CNC (4): All 22,SCTE	Pistón amortiguador CNC mecanizado 12mm 1.6 x 2 (4): Todos 22, SCTE
TLR233010	Shock Piston 12mm 1.7x2 CNC Machined(4): All22,SCTE	TLR Stoßdämpferkolben 12mm 1.7 x2 CNC gefertigt (4) Alle 22, SCTE	22, SCTE - Pistons d'amortisseurs usinés CNC diamètre 12mm, 1,7 x 2 trous (4)	Pistone ammortizzatore 12mm 1.7x2 fresato (4): All 22,SCTE	Pistón amortiguador 12mm 1.7 x 2 mecanizado CNC (4): Todos 22, SCTE
TLR233014	Rear Shock Body Set (2): 22-4	Stoßdämpfergehäuse Set (2) 22-4	22-4 - Corps d'amortisseurs arrière (2)	Set corpo ammort. posteriore (2): 22-4	Cuerpo de amortiguador trasero (2)
TLR233021	Spring Cup, Standard & +4mm (4ea): All 22	TLR Dämpferteller Standard + 4mm (je 4) alle 22	22 - Coupelle de ressorts, standard et +4mm (4 pièces)	Tazza molla, standard & +4mm (4pz): tutti i 22	Sujección Muelle, Estándar y +4mm (4 de cada): Todos los 22
TLR233024	Shock Shaft, 3.5 x 48mm, TiCN (2)	TLR Kolbenstange 3.5 x 48mm TiCN (2)	Tiges d'amortisseurs, 3.5 x 48mm, TiCN (2)	Albero ammortizzatore, 3.5 x 48mm, TiCN (2)	Vástago amortiguador TiCN 3.5 x 48mm (2)
TLR234000	Ball Stud, Low Mount, 4.8 x 6mm (4): 22/T/SCT	TLR Kugelkopf für untere Montage (4)	22/T/SCT - Support inférieur, rotules 4,8 x 6mm (4)	Prigioniero sfera, montaggio basso, 4.8 x 6mm (4): 22/T/SCT	Bola con tornillo corta, 4.8x6mm (4): 22/T/SCT
TLR234023	King Pin Screws (8): 22-4	King Pin Schrauben (8): 22-4	22-4 - Pivots de fusées (8)	Viti perni king (8): 22-4	Tornillos Mangueta (8): 22-4
TLR234043	Turnbuckle, HD 80mm (2): 22T 2.0	TLR Gewindestift, HD, 80mm (2): 22T	22T - Biellettes renforcées 80mm (2)	Tenditore, HD, 80mm (2): 22T	Tensores 80mm (2): 22T
TLR234050	Front Camber Block: All 22/T	TLR 22 3.0 Sturzstangenbrücke vorne alle 22/T	22/T - Cales de carrossage avant	Blocco camber anteriore: tutti i 22	Soporte Delantero Camber: Todos los 22/T
TLR234051	Front Pivot, w/Brace & Kick Shims: All 22	TLR 22 3.0 Querlenkerhalter vorne und Unterlegscheiben	22 - Pivot avant avec cales et renforts	Perno anteriore, c/rinforzo & distanziale per kick: tutti i 22	Pivote Delantero, con Brazo y Arandelas de Cuña: Todos los 22
TLR234052	Front Hinge/King Pin Set: All 22	TLR 22 3.0 Hinge Pin Set vorne: alle 22/T	22 - Axe de suspension avant	Set cerniera anteriore/perno: tutti i 22	Pasadores Delanteros/ Tornillos Mangueta: Todos los 22
TLR234053	Rear Hinge Pin Set: 22 3.0	TLR 22 3.0 Hinge Pin Set hinten: 22 3.0	22 3.0 - Axe de suspension arrière	Set perno cerniera posteriore: 22 3.0	Pasadores Trapecios Traseros: 22 3.0



Part #	English	Deutsch	Français	Italiano	Español
TLR234055	Rear Suspension Insert Set, Toe/Anti-Squat: 22 3.0	TLR 22 3.0 Anti-Squat Einsätze hinten	22 3.0 - Inserts de cales de pincement	Set inserto sospensione posteriore, convergenza/anti-squat: 22 3.0	Casquillos Suspensión Trasera, Convergencia/Anti-Squat: 22 3.0
TLR234060	Turnbuckle, HD, 55mm (2): 22/22-4	TLR 22 3.0 Gewindestange HD, 55mm (2) : 22/22-4	22/22-4 - Bielles, renforcées, 55mm (2)	Tenditore, HD, 55mm (2): 22/22-4	Tirante, HD, 55mm (2): 22/22-4
TLR234074	Front Spindle Set: All 22	Achsschenkelset vorne: 22	22 - Set de fusées avant	Set fuso anteriore: 22	Mangueta delantera: 22
TLR234075	Dirt GenII Rear Hub Set Complete: All 22	Schutzschutz-Hinterradnabe der II. Generation, vollständig: Alle 22er Versionen	Ensemble de fusées arrière GenII pour piste : 22	Set completo mozzi posteriori Dirt GenII: Tutte le 22	Dirt GenII Buje trasero, completo: Todos 22
TLR234076	Dirt GenII Rear Hub, Composite Body (2): All 22	Schutzschutz-Hinterradnabe der II. Generation, Kompositgehäuse (2): Alle 22er Versionen	Ensemble de fusées arrière GenII pour piste, composite (2) : 22	Set completo mozzi posteriori Dirt GenII, carrozzeria composito (2): Tutte le 22	Dirt GenII Buje trasero, Carrocería compuesto (2): Todos 22
TLR234078	HD Open Ball Cup Set: All 22	Kugelbolzen offen, HD: alle 22	22 - Rotules ouvertes renforcées	Set uniball aperti HD: tutte le 22	Bola perno abierta, reforzada: Todos 22
TLR234082	Antisquat Block LRC Alum 22 3/4.0	Antisquat-Block LRC Alum 22 3/4.0	22 3.0/4.0 - Cale anticabrage, LRC, aluminium	Blocco antisquat alluminio LRC: 22 3.0/4.0	Bloque anti-squat aluminio LRC: 22 3/4.0
TLR234083	Toe Plate, LRC, Aluminum: 22 4.0	Zehenplatte, LRC, Aluminium: 22 4.0	22 4.0 - Cale de pincement, LRC en aluminium	Piastra convergenza, LRC, alluminio: 22 4.0	Placa Base, LRC, aluminio: 22 4.0
TLR234084	Caster Blocks, 5dg: 22/T/ SCT 3.0	TLR 22 3.0 Casterblock 5°: 22/T/SCT 3.0	22/T/SCT 3.0 - Etriers portefusées, 5 degrés	Set blocco caster, 5 gradi: 22/T/SCT 3.0	Portamangueta, 5 grados: 22/T/SCT 3.0
TLR234086	Rr Camber Block w/Inserts 22 4.	TLR 22 4.0 Sturzstangenbrücke hinten mit Einsätzen	22 4.0 - Cales de carrossage arrière	Blocco camber posteriore, c/ inserti: 22 4.0	Soporte Trasero Camber, con Casquillos: 22 4.0
TLR234090	Spindle Trail Inserts (8ea): All 22	Spindel-Trail-Einsätze (8ea): Alle 22er Versionen	Inserts d'empattement de fusée (8ea) : 22	Inserti trail fusi (8ea): Tutte le 22	Insertos de Huso Entre Pista (8 cada uno): Todos 22
TLR234091	Front Arm Set Stiffezel: 22T 4.0	Front Arm Set Stiffezel: 22T 4.0	Triangle avant Stiffezel : 22T 4.0	Set braccio anteriore Stiffezel: 22T 4.0	Trapecios Delanteros Stiffezel: 22T 4.0
TLR234092	Rear Arm Set Stiffezel: 22T 4.0	Rear Arm Set Stiffezel: 22T 4.0	Triangle arrière Stiffezel : 22T 4.0	Set braccio posteriore Stiffezel: 22T 4.0	Trapecios Traseros Stiffezel: 22T 4.0



Part #	English	Deutsch	Français	Italiano	Español
TLR234093	Rear Shock Tower, Stiffezel Laydown: 22T 4.0	Heckstoßdämpferbrücke, Stiffezel Laydown: 22T 4.0	Support d'amortisseur, Stiffezel Laydown : 22T 4.0	Torre ammortizzatore posteriore Stiffezel, Laydown: 22T 4.0	Torre Amortiguador Trasero Stiffezel Laydown : 22T 4.0
TLR235008	Flat Head Screws, M3 x 6mm (10)	TLR: Flachkopfschrauben, M3 x 6mm (10)	Vis à tête fraisée M3 x 6mm (10)	Viti a testa piatta M3 x 6mm (10)	Tornillo cónico 3 x 6mm (10)
TLR237000	5 x 8 x 2.5mm Bearings (2)	TLR 5 x 8 x 2.5mm Lager (2)	Roulements 5 x 8 x 2.5mm (2)	5 x 8 x 2.5mm cuscinetti (2)	Rodamientos 5x8x2.5mm (2)
TLR2933	Rear Hex, Std Width, Alum: 22SCT	Hinterer Sechskant, Standardbreite, Aluminium, 22SCT	22SCT - Écrou hex AR, largeur standard, aluminium	Dado posteriore, larghezza standard, alluminio, 22SCT	Hexágono trasero, Estándar Aluminio, 22SCT
TLR2947	Tungsten Carbide Diff Balls, 2mm (6)	TLR Tungsten Carbide Kugeln, 2mm (6)	Billes de différentiel en carbure de tungstène, 2mm (6)	Sfere diff. al carburo di tungsteno, 2mm (6)	Bolas axial carburo de tungsteno 2mm (6)
TLR2951	Tungsten Carbide Diff Balls, 3/32mm (14) 22T/SCT	TLR Tungsten Carbide Kugel 3/32 (14)	22T/SCT - Bille de différentiel en carbure de tungstène, 3/32 (14)	Sfere diff. al carburo di tungsteno, 3/32mm (14) 22T/SCT	Bolas diferencial carburo de tungsteno 3/32" (14) 22T/SCT
TLR2952	Silicone Diff Grease, 8cc: 22	TLR Differentialfett/8cc: 22	22 - Graisse silicone pour diff, 8cc	Grasso silicone diff., 8cc: 22	Grasa silicona diferencial, 8cc: 22
TLR2953	Diff Gear, 51T: 22	TLR Diff-Zahnrad 51Z: 22	22 - Couronne de diff 51T	Ingranaggio differenziale, 51T: 22	Corona diferencial 51T: 22
TLR2954	Drive Rings (2): 22	TLR Gleitringe Diff: 22	22 - Plateau de différentiel (2)	Anelli trasmissione (2): 22	Aros de impulsión (2): 22
TLR2955	Outdrive Set: 22	TLR Antriebsklauen Set: 22	22 - Noix de sortie de diff	Set trascinatore: 22	Vasos diferencial: 22
TLR2958	Diff Through Screw & Nut: 22	TLR Spannschraube mit Mutter: 22	22 - Vis et écrou de serrage du diff	Viti passanti diff. & dadi: 22	Tornillo diferencial y tuerca: 22
TLR2963	Layshaft & Spacer: 22	TLR Hauptwelle mit Distanzring: 22	22 - Arbre de slipper avec entretoise	Albero secondario & distanziale: 22	Eje transmisión y espaciador: 22
TLR2972	Driveshaft Rebuild Kit: All 22	Antriebswellen Rebuild Kit: All 22	22 - Kit de réparation pour arbre de transmission	Kit ricostruzione trasmissione: tutti i modelli 22	Kit para reconstruir el árbol transmisión: Todos 22
TLR336000	4mm Aluminum Serrated Lock Nuts, Black (6)	TLR 4mm Aluminium Stopmutter mit Flanch Schwarz 6St.	Ecrou auto-freiné épaulé M4, aluminium, noir (6)	Dado autobloccante seghettato 4mm, nero (6)	Tuercas 4mm aluminio con bloqueo, negras (6)



Part #	English	Deutsch	Français	Italiano	Español
TLR5065	Bleeder Shock Caps, Alum (2): 22/T	TLR Stoßdämpferkappen Set (2): 22/T	22/T - Bouchons d'amortisseurs en aluminium avec purgeurs (2)	Tappo sfiato ammortizzatori, allum. (2): 22/T	Tapa superior amortiguador aluminio (2): 22/T
TLR5066	Bleeder Shock Cap Screw & Washers (4): 22/T	Stoßdämpfervolumenausgleichkappe, Schraube und Unterlegscheibe (4) 22/T	22/T - Vis de purge avec joints (4)	Vite e rondelle tappo sfiato ammortizzatore. (4): 22/T	Tornillo y arandela tapa superior amortiguador (4): 22/T
TLR5084	Rear Shock Body Set (2): 22	TLR Dämpfergehäuse-Set Hinten (2): 22	22 - Set de corps d'amortisseurs arrière (2)	Set corpo ammortizzatore poster. (2): 22	Cuerpo amortiguador trasero (2): 22
TLR5086	Shock Cap: Bottom (2): 22	TLR Stoßdämpferendkappe unten (2): 22	22 - Bouchon inférieur d'amortisseur (2)	Tappo ammort.: inferiore (2): 22	Tapa inferior amortiguador (2): 22
TLR5092	Upper Shock Bushing (4): 22	TLR Buchsen für Dämpfer: 22 (4)	22 - Entretoise supérieure d'amortisseur (4)	Boccola superiore ammort. (4): 22	Casquillo sujeción superior amortiguadores (4): 22
TLR5094	Shock Preload Adjuster Nut w/O-ring: 22	TLR Vorspannring Aluminium, 12mm Dämpfer	22 - Bague de réglage d'amortisseur avec joint torique	Dado regolazione precarico ammort. senza O-ring: 22	Tuerca ajuste amortiguador con tórica: 22
TLR5095	Shock End Set w/Spring Cups, 12mm Shock: 22	TLR Endkugelpfanne / Federteller, 12mm Dämpfer: 22	22 - Chapes et coupelles d'amortisseurs, 12mm	Terminale ammort. c/molla a tazza, 12mm: 22	Rótula y soporte muelle amortiguador 12mm: 22
TLR5096	Shock Limiter Set, 3.5mm Shaft: 22	TLR Einfederbegrenzung-Set, 3.5mm: 22	22 - Butées d'amortisseurs 3.5mm	Set limitatore ammort., albergo 3,5mm.: 22	Limitadores amortiguador, vástago 3.5mm: 22
TLR5097	Shock Standoff (2): 22	TLR Dämpferhalter: 22	22 - Entretoise d'amortisseur (2)	Supporto ammortizzatore (2): 22	Sujeción superior amortiguador (2): 22
TLR5167	Rear Shock Spring, 2.0 Rate, Yellow	Dämpferfeder hinten, Federkonstante 2,0, gelb	Ressort d'amortisseurs arrière, jaune, dureté 2,0	Molla ammortizzatore, posteriore, 2,0 gialla	Muelle, Trasero, 2.0 Amarillo
TLR5183	Front Shock Spring, 3.8 Rate, Blue: 22T	TLR Federnsatz vorne 3.8,blau: 22T	22T - Ressort d'amortisseurs avant, bleus, dureté 3,8	Molla ammort. anteriore, 3.8 Rate, blu: 22T	Muelle amortiguador delantero, durezo 3.8, azul
TLR5901	Button Head Screws, M3 x 6mm (10)	TLR Rundkopfschraube, M3 x 6mm (10)	Vis à tête bombée M3 x 6mm (10)	Viti testa tonda, M3 x 6mm (10)	Tornillo botón 3 x 6mm (10)
TLR5902	Button Head Screws, M3 x 8mm (10)	TLR Rundkopfschraube, M3 x 8mm (10)	Vis à tête bombée M3 x 8mm (10)	Viti testa tonda, M3 x 8mm (10)	Tornillo botón 3 x 8mm (10)
TLR5903	Button Head Screws, M3 x 10mm (10)	TLR Rundkopfschraube, M3 x 10mm (10)	Vis à tête bombée M3 x 10mm (10)	Viti testa tonda, M3 x 10mm (10)	Tornillo botón 3 x 10mm (10)

Part #	English	Deutsch	Français	Italiano	Español
TLR5904	Button Head Screws, M3 x 12mm (10)	TLR Rundkopfschraube, M3 x 12mm (10)	Vis à tête bombée M3 x 12mm (10)	Viti testa tonda, M3 x 12mm (10)	Tornillo botón 3 x 12mm (10)
TLR5908	Button Head Screws, M3 x 44mm (10)	TLR Rundkopfschraube, M3 x 44mm (10)	Vis à tête bombée M3 x 44mm (10)	Viti testa tonda, M3 x 44mm (10)	Tornillo botón 3 x 44mm (10)
TLR5910	Button Head Screws, M3 x 14mm (10)	TLR Rundkopfschrauben M3 x 14mm (10)	Vis à tête bombée M3x14mm (10)	Viti a testa tonda, M3 x 14mm (10)	Tornillo botón 3 x 14mm (10)
TLR5959	Flathead Screw, M2.5 x 16mm (10)	TLR Flachkopfschrauben, M2., x 16mm (10)	Vis à tête fraisée M2,5 x 16mm (10)	Vite a testa piatta, M2,5 x 16mm (10)	Tornillo cónico 2,5 x 16mm (10)
TLR5960	Flat Head Screw, M2 x 6mm (10)	TLR Flachkopfschrauben, M2 x 6mm (10)	Vis à tête fraisée M2 x 6mm (10)	Vite a testa piatta, M2 x 6mm (10)	Tornillo cónico 2 x 6mm (10)
TLR5961	Flat Head Screw, M3 x 8mm (10)	TLR Flachkopfschrauben, M3 x 8mm (10)	Vis à tête fraisée M3 x 8mm (10)	Vite a testa piatta, M3 x 8mm (10)	Tornillo cónico 3 x 8mm (10)
TLR5962	Flat Head Screw, M3 x 10mm (10)	TLR Flachkopfschrauben, M3 x 10mm (10)	Vis à tête fraisée M3 x 10mm (10)	Vite a testa piatta, M3 x 10mm (10)	Tornillo cónico 3 x 10mm (10)
TLR5963	Flat Head Screw, M3 x 12mm (10)	TLR Flachkopfschrauben, M3 x 12mm (10)	Vis à tête fraisée M3 x 12mm (10)	Vite a testa piatta, M3 x 12mm (10)	Tornillo cónico 3 x 12mm (10)
TLR5964	Flat Head Screw, M3 x 16mm (10)	TLR Flachkopfschrauben, M3 x 16mm (10)	Vis à tête fraisée M3 x 16mm (10)	Vite a testa piatta, M3 x 16mm (10)	Tornillo cónico 3 x 16mm (10)
TLR5965	Flat Head Screw, M3 x 20mm (10)	TLR Flachkopfschrauben, M3 x 20mm (10)	Vis à tête fraisée M3 x 20mm (10)	Vite a testa piatta, M3 x 20mm (10)	Tornillo cónico 3 x 20mm (10)
TLR6019	Ballstud/Hub Spacer Set, Aluminum: 22	TLR Distanzringe für Kugelkopf Aluminium: 22	22 - Rotules à visser et entretoises en aluminium	Perno sferico/set distanziali, alluminio: 22	Arandelas ajuste bola/mangueta aluminio: 22
TLR6023	Ball Stud, 4.8 x 10mm (4): 22	TLR Kugelkopf mit Gewinde 4.8 x 10mm (4): 22	22 - Rotules à visser 4,8 x 10mm (4)	Perno sferico, 4.8 x 10mm (4): 22	Bola con tornillo 4.8 x 10mm (4): 22
TLR6024	Ball Stud, 4.8 x 8mm (4): 22	TLR Kugelkopf mit Gewinde, 4.8 x: 8mm (4): 22	22 - Rotules à visser 4,8 x 8mm (4)	Perno sferico, 4.8 x 8mm (4): 22	Bola con tornillo 4.8 x 8mm (4): 22
TLR6025	Ball Stud, 4.8 x 6mm (4): 22	TLR Kugelkopf mit Gewinde 4.8mm x 6mm (4): 22	22 - Rotules à visser 4,8 x 6mm (4)	Perno sferico, 4.8 x 6mm (4): 22	Bola con tornillo 4.8 x 6mm (4): 22
TLR6028	Ball Stud, Short Neck, 5mm (2)	TLR Kugelkopf mit Gewinde kurzen Hals, 5mm (2)	Rotules à visser courtes 5mm (2)	Perno sferico, Short Neck, 5mm (2)	Bola con tornillo cuello corto 5mm (2)
TLR6063	Turnbuckle, HD, 60mm (2): 22SCT	TLR Gewindestift, HD, 60mm (2): 22SCT	22SCT - Biellettes renforcées 60mm (2)	Tenditore, HD, 60mm (2): 22SCT	Tensores 60mm (2): 22SCT
TLR6105	E-Clips, 3mm Shaft (12)	Antriebsklammern, 3mm (12)	Clips pour arbre 3mm (12)	Clips 3 mm (12)	Clip para árbol, 3mm (12)
TLR6288	Set Screw, M3 x 2.5mm (10)	TLR Schraubenset, M3 x 2.5mm (10)	Vis sans tête, M3 x 2.5mm (10)	Grano, M3 x 2.5mm (10)	Tornillos allen, M3 x 2.5mm (10)
TLR6289	Set Screw, M3 x 5mm (10)	TLR Schraubenset, M3 x 5mm (10)	Vis sans tête, M3 x 5mm (10)	Grano, M3 x 5mm (10)	Tornillos allen, 3 x 5mm (10)
TLR6312	Locknut, M2.5 x .45 x 5mm (6)	TLR Mutter selbstsichernd M2.5 x .45 x 5mm (6)	Ecrou M2,5 x 0,45 x 5mm (6)	Dado autobloccante, M2.5 x .45 x 5mm (6)	Tuercas autoblocantes 2.5 x 0.45 x 5mm (6)
TLR6313	Locknut, M3 x .5 x 5.5mm (10)	TLR Mutter selbstsichernd M3 x .5 x 5.5mm (10)	Ecrou M3 x 0,5 x 5,5mm (10)	Dado autobloccante, M3 x .5 x 5.5mm (10)	Tuercas autoblocantes 3 x 0.5 x 5.5mm (6)
TLR6352	Washers, M3 (10)	TLR U-Scheibe, M3 (10)	Rondelles M3 (10)	Rodelle, M3 (10)	Arandelas M3 (10)
TLR6932	5x10x4mm HD Bearings (2)	TLR Kugellager 5 x 10 x 4mm (2)	Roulements renforcés 5 x 10 x 4mm (2)	5x10x4mm HD Cuscinetti (2)	Rodamientos HD 5 x 10 x 4mm (2)
TLR7002	Front/Rear Wheel, Yellow: 22T	Rad v/h, gelb: 22T	22T-Jantes av/arr, jaunes	Cerchione ant./post., giallo: 22T	Llantas delanteras y traseras, amarilla: 22T
TLR74007	Silicone Shock oil, 32.5wt, 2oz	Silikonstoßdämpferöl, 32.5wt, 2 oz	Huile silicone d'amortisseur, 32,5wt, 60 ml	Olio silicone ammortizzatori, 32.5wt, 2oz	Aceite amortiguador silicona 32.5wt, 2oz
TLR76004	TLR Lok, Threadlock, Blue	TLR Schraubensicherungslack Blau	Frein filet TLR Lok, bleu	TLR Lok, frenafilletti, blu	Fijatornillo TLR Lok, azul
TLR77000	High-Pressure Black Grease, 8cc	TLR High-Pressure Fett Schwarz/8cc	Graisse noire haute pression, 8cc	Grasso nero alta pressione, 8cc	Grasa negra alta presión 8cc
TLR8202	Body Clips, Black (12): 22	TLR Karosseriekammern Schwarz (12): 22	22 - Clips de carrosserie noirs (12)	Clips carrozzeria, neri (12): 22	Clips carrocería negros (12): 22

OPTIONAL PARTS / DIVERSE TEILE / PIECES OPTIONNELLES / PARTI OPZIONALI / OPCIONES

Part #	English	Deutsch	Français	Italiano	Español
DYNT2010	Machined Nut Driver Set 4pc.MET	Steckschlüsselset CNC gefräst 4Stk. metrisch	Clés à écrous usinées 4 pièces, métrique	Set cacciaviti dadi lavorati, metrico (4)	Llave de tuercas mecanizada 4 piezas, métrica
DYNT2030	Machined Hex Driver Set (4) Met	Inbusschlüsselset (4) Metrisch	Clés BTR usinées 4 pièces, métrique	Set cacciaviti a brugola lavorati, metrico (4)	Llave hexagonal mecanizada 4 piezas, métrica
TLR1049	Brass Kick Angle Shim, 25 Degrees: 22	TLR Brass Kick Angle Distanzstück 25°: 22	22 - Cales de chasse en bronze, 25°	Spessore in ottone per inclinazione 25 gradi: 22	Placa delantera latón 25° kick: 22
TLR1072	Front Pivot, Aluminum: 22	TLR Querlenkerhalter, Aluminium: 22	22 - Cale de pincement avant en aluminium	Perno anteriore, allum.: 22	Soporte trapecios delanteros, aluminio: 22
TLR1555	Servo Horn, 23T, Aluminum: 22	TLR Servohorn/23T/ Aluminium: 22	22 - Bras de servo 23T en aluminium	Squadretta servo alluminio, 23T: 22	Brazo servo aluminio 23T: 22
TLR1556	Servo Horn, 24T, Aluminum: 22	TLR Servo Horn 24T Aluminium: 22	22 - Bras de servo 24T en aluminium	Squadretta servo alluminio, 24T: 22	Brazo servo aluminio 24T: 22
TLR1557	Servo Horn, 25T, Aluminum: 22	TLR Servo Horn 25T Aluminium: 22	22 - Bras de servo 25T en aluminium	Squadretta servo alluminio, 25T: 22	Brazo servo aluminio 25T: 22
TLR2059	Front Camber Block, Aluminum, 22/22T	TLR Halter vorne/oben, Aluminium: 22/22T	Bloc de carrossage avant en aluminium	Blocco camber anter. alluminio, 22/22T	Tabica camber delantera aluminio: 22/22T
TLR232000	Complete Ball Diff, Tungsten Balls: 22/T/SCT	TLR Kugeldiff Komplett mit Tungstenkugeln: 22/T/SCT	22/T/SCT - Différentiel complet à billes tungstène	Sfere in tungsteno per differenziale: 22/T/SCT	Diferencial completo con bolas de tungsteno: 22/T/SCT
TLR232001	Diff Service Kit, Tungsten Balls: 22/T/SCT	TLR : 22/T/SCT Diff Service Kit, Wolframkugeln	22/T/SCT - Kit de réfection de différentiel, billes tungstène	Kit manutenzione diff., sfere in tungsteno: 22/T/SCT	Kit reparación diferencial con bolas de tungsteno: 22/T/SCT
TLR232009	HDS Spur Gear, 76T 48P, Kevlar: All 22	TLR HDS Zahnrad 76T 48P Kevlar: alle 22	22 - Couronne Kevlar HDS, 76T 48P	Corona HDS, 76T 48P, Kevlar: tutte le 22	Corona HDS 76T 48P kevlar: Todos 22
TLR232010	HDS Spur Gear, 78T 48P, Kevlar: All 22	TLR HDS Zahnrad 78T 48P Kevlar: alle 22	22 - Couronne Kevlar HDS, 78T 48P	Corona HDS, 76T 48P, Kevlar: tutte le 22	Corona HDS 78T 48P kevlar: Todos 22
TLR233009	Shock Piston 12mm 1.6x2 CNC Machined(4): All22,SCTE	TLR Stoßdämpferkolben 12 1.6x2 CNC (4) alle 22, SCTE	22, SCTE - Pistons d'amortisseurs usinés CNC diamètre 12mm, 1,6x2 trous (4)	Pistone ammortizzatore 12mm 1.6x2 prodotto con CNC (4): All 22,SCTE	Pistón amortiguador CNC mecanizado 12mm 1.6 x 2 (4): Todos 22, SCTE
TLR233010	Shock Piston 12mm 1.7x2 CNC Machined(4): All22,SCTE	TLR Stoßdämpferkolben 12mm 1.7 x2 CNC gefertigt (4) Alle 22, SCTE	22, SCTE - Pistons d'amortisseurs usinés CNC diamètre 12mm, 1,7 x 2 trous (4)	Pistone ammortizzatore 12mm 1.7x2 fresato (4): All 22,SCTE	Pistón amortiguador 12mm 1.7 x 2 mecanizado CNC (4): Todos 22, SCTE
TLR233011	Shock Piston 12mm Blank CNC Machined(4): All22, SCTE	TLR Stoßdämpferkolben 12mm CNC gefertigt (4) Alle 22, SCTE	22, SCTE - Pistons d'amortisseurs usinés CNC diamètre 12mm, à percer (4)	Pistone ammortizzatore 12mm Blank fresato (4): All 22,SCTE	Pistón amortiguador 12mm mecanizado CNC (4): Todos 22, SCTE
TLR233018	Shock Piston 12mm 1.4x3 CNC Machined (4):All 22, SCTE	TLR Stoßdämpferkolben 12mm 1.4x3 CNC (4) alle 22, SCTE	22/SCTE - Pistons d'amortisseurs usinés CNC diamètre 12mm 1.4x3 trous (4)	Pistone ammortizzatore 12mm 1.4x3 prodotto con CNC (4): All 22,SCTE	Pistón amortiguador CNC mecanizado 12mm 1.4x3 (4): Todos 22, SCTE
TLR234080	HRC Front Pivot, w/Brace: All 22 4.0	HRC Frondrehgelenk, mit Strebe: Alle 22 4.0	22 4.0 - Cale de pincement avant HRC avec renfort	Piastra girevole anteriore alluminio HRC con montante: tutti i modelli 22 4.0	Pivote delantero HRC, con brazo: Todo 22 4.0
TLR234085	Caster Blocks, 0dg: 22/T/ SCT 3.0	TLR Caster Block Set 0°: 22/T/ SCT 3.0	22/T/SCT 3.0 - Etriers porte-fusées, 0 degrés	Set blocco caster, 0 gradi: 22/T/ SCT 3.0	Mangueta, 0 grados: 22/T/ SCT 3.0
TLR234088	GenII Rear Hub Set, +3 Axle Complete: All 22	GenII Hinterradnaben Set, +3 Achse: Vollständig: Alle 22	22 - Fusée arrière GenII, Axe +3mm	Set mozzo posteriore GenII, asse completo +3 mm: tutti i modelli 22	Buje trasero, GenII, +3 eje: Todos 22
TLR234089	GenII Rr Hubs +3mm Body(2):All2	Hinterradnaben der II. Generation +3mm Gehäuse (2): Alle 22er Versionen	Corps de fusées arrière GenII +3 mm (0, 1 po) (2) : 2	Mozzi posteriori GenII +3 mm carrozzeria (2): tutte le 22	GenII Carrocería Bujes Traseros +3mm (2):All2
TLR234094	Rear Shock Tower Stiffezel Standup: 22T 4.0	Heckstoßdämpferbrücke, Stiffezel Standup: 22T 4.0	Support d'amortisseur, Stiffezel Stand up : 22T 4.0	Torre ammortizzatore posteriore Stiffezel, stand-up: 22T 4.0	Torre Amortiguador Trasero Stiffezel Standup : 22T 4.0
TLR2950	Hex Differential Wrench, Aluminum: 22	TLR Diff Einstellschlüssel, Aluminium: 22	22 - Clé hexagonale pour différentiel	Chiave esagonale differenziale, alluminio: 22	Llave ajuste diferencial aluminio, 22
TLR331016	Bellcranks & Drag Link, Alum: 22/T/SCT 2.0	Lenkhebel und Zugstange, Aluminium: 22/T/SCT 2.0	22/T/SCT 2.0 - Renvoi de direction	Squadrette e rinvio trascinamento, Alluminio 22/T/ SCT 2.0	Manivela de campana y biela de arrastre, alu: 22/T/SCT 2.0
TLR331019	Servo Mount, Chassis Brace, Alum: 22 3.0	Servohalter, Chassishalter, Aluminium: 22 3.0	22 3.0 - Support servo, Renfort de châssis, Aluminium	Supporto Servo Alluminio: 22 3.0	Soporte Servo y Chasis, alu: 22 3.0
TLR331028	Forward Brass Plate Set: 22 4.0	Vordere Messingplatte Set: 22 4.0	22 4.0 - Plaque avant laiton	Set piastra anteriore ottone: 22 4.0	Placas delanteras, latón: 22 4.0
TLR331029	Rear Brass Plate Set: 22 4.0	Hintere Messingplatte Set	22 4.0 - Plaque arrière laiton	Set piastra posteriore ottone: 22 4.0	Placas traseras, latón: 22 4.0

Part #	English	Deutsch	Français	Italiano	Español
TLR331030	Alum Batt Mount Post Set: 22 4.0	Alum.-Akku-Halterungsstange Set: 22 4.0	22 4.0 - Support aluminium pour platine batterie	Set supporto batteria alluminio: 22 4.0	Soporte para batería en aluminio: 22 4.0
TLR332016	Pinion Gear 16T, 48P, AL	TLR 22 3.0 Ritzel 16 Zähne 48P	Pignons 16 dents, 48DP, aluminium	Pignone 16T, 48P, AL	Piñón 16T, 48P, Aluminio
TLR332017	Pinion Gear 17T, 48P, AL	TLR 22 3.0 Ritzel 17 Zähne 48P	Pignons 17 dents, 48DP, aluminium	Pignone 17T, 48P, AL	Piñón 17T, 48P, Aluminio
TLR332018	Pinion Gear 18T, 48P, AL	TLR 22 3.0 Ritzel 18 Zähne 48P	Pignons 18 dents, 48DP, aluminium	Pignone 18T, 48P, AL	Piñón 18T, 48P, Aluminio
TLR332019	Pinion Gear 19T, 48P, AL	TLR 22 3.0 Ritzel 19 Zähne 48P	Pignons 19 dents, 48DP, aluminium	Pignone 19T, 48P, AL	Piñón 19T, 48P, Aluminio
TLR332023	Pinion Gear 23T, 48P, AL	TLR 22 3.0 Ritzel 23 Zähne 48P	Pignons 23 dents, 48DP, aluminium	Pignone 23T, 48P, AL	Piñón 23T, 48P, Aluminio
TLR332024	Pinion Gear 24T, 48P, AL	TLR 22 3.0 Ritzel 24 Zähne 48P	Pignons 24 dents, 48DP, aluminium	Pignone 24T, 48P, AL	Piñón 24T, 48P, Aluminio
TLR332025	Pinion Gear 25T, 48P, AL	TLR 22 3.0 Ritzel 25 Zähne 48P	Pignons 25 dents, 48DP, aluminium	Pignone 25T, 48P, AL	Piñón 25T, 48P, Aluminio
TLR332026	Pinion Gear 26T, 48P, AL	TLR 22 3.0 Ritzel 26 Zähne 48P	Pignons 26 dents, 48DP, aluminium	Pignone 26T, 48P, AL	Piñón 26T, 48P, Aluminio
TLR332043	Direct Drive System, Set: All 22	Direktantrieb System: alle 22	22 - Système à entraînement direct	Set sistema trasmissione diretta: tutte le 22	Sistema de accionamiento directo
TLR332054	4-Gear Conversion Kit: 22 3.0	TLR 22 3.0 Umbaukit 4-stufen Getriebe	22 3.0 - Kit de conversion pour transmission 4 étages	Kit conversione 4 ingranaggi: 22 3.0	Conversión Transmisión 4-Engranajes: 22 3.0
TLR332066	Fr Axl Set Alum 12mm: 22T 3.0	TLR 22 3.0 Vorderachse Aluminium 12mm Inbus: 22T 3.0	22T 3.0 - Axe de roues avant, Aluminium, 12mm Hex	Set assale anteriore, alluminio, 12mm Hex: 22T 3.0	Eje Rueda Delantero, Aluminio, Hexágono 12mm: 22T 3.0
TLR332067	Complete 2wd Gear Diff, Aluminum Gear: All 22	Diff Ritze Komplett: alle 22	22 - Différentiel à pignons complets 2WD, alu	Ingranaggio differenziale 2WD completo, alluminio: tutte le 22	Piñón diferencial 2wd completo, alu: Todos 22
TLR332070	Alum Idler Gear & Shaft, LD: 22 4.0	Alum. Zwischenrad & Welle, LD: 22 4.0	22 4.0 - Pignon intermédiaire & arbre en aluminium, Laydown	Ruota folle completa di albero, alluminio, laydown: 22 4.0	Piñón intermedio y eje en aluminio, Laydown: 22 4.0
TLR334001	Sway Bar Kit, Front: 22SCT	Stabilisator Set vorne: 22 SCT	22SCT - Kit de barre anti-roulis avant	Barra antitorsione anteriore: 22SCT	Kit barra estabilizadora delantera: 22 SCT
TLR334014	Rear Hub Carrier, Aluminum: 22/2.0/T/SCT	Radträger hinten Alu: 22 2.0/T/SCT	Fusées arrières en aluminium	Supporto mozzo posteriore, alluminio: 22/2.0/T/SCT	Mangueta trasera aluminio: 22/2.0/T/SCT
TLR334020	Front Pivot 25 deg, 50g Brass: 22/2.0/T/SCT	TLR Querlenkerhalter 25°, 50g: 22/2.0/T/SCT	Cale de chasse 25°, lest 50g	Perno anter. 25 gradi, ottone 50g: 22/2.0/T/SCT	Soporte trapecios delanteros 25°, latón 50g: 22/2.0/T/SCT
TLR334041	Brass Hinge Brace LRC +27g: 22 4.0	Messingscharnierhalterung LRC +27g: 22 4.0	22 4.0 - Cale de pincement arrière laiton, LRC, +27g	Montante ottone LRC +27 g: 22 4.0	Pasador trapecio, latón, LRC +27g: 22 4.0
TLR334042	Toe Plate, LRC -2 deg Alum: 22 4.0	Zehenplatte, LRC -2 deg Alum.: 22 4.0	22 4.0 - Cale de pincement, LRC -2° en aluminium	Piastra convergenza, LRC -2 gradi, alluminio: 22 4.0	Placa Base, LRC-2°, aluminio: 22 4.0
TLR334043	Antisquat Block HRC Alum 22 3/4.0	Antisquat-Block HRC Alum 22 ¾	22 3.0/4.0 - Cale anti-cabrage, HRC, aluminium	Blocco antisquat alluminio HRC 22 3/4.0	Bloque anti-squat aluminio HRC: 22 3/4.0
TLR334044	Toe Plate, HRC, Alum: 22 4.0	Zehenplatte, HRC, Alum.: 22 4.0	22 4.0 - Cale de pincement, HRC en aluminium	Piastra convergenza, alluminio HRC: 22 4.0	Placa Base, HRC, aluminio: 22 4.0
TLR334045	Toe Plate, HRC -2 deg Alum: 22 4.0	Zehenplatte, HRC -2 deg Alum.: 22 4.0	22 4.0 - Cale de pincement, HRC -2° en aluminium	Piastra convergenza, alluminio HRC -2 gradi: 22 4.0	Placa Base, HRC-2°, aluminio: 22 4.0
TLR334048	Spindle Insert Set Alum 3mm (2): All 22	Spindeleinsatz-Set, Aluminium 3 mm (2): Alle 22er Versionen	Ensemble d'insert de fusées en aluminium 3 mm (0,11 po) (2) : 22	Set inserto fuso alluminio 3 mm (2): Tutte le 22	Juego de Inserto de Huso Aluminio 3 mm (2): Todos 22
TLR334049	Spindle Insert Set Alum 2/4mm (2): All 22	Spindeleinsatz-Set, Aluminium 2/4 mm (2): Alle 22er Versionen	Ensemble d'insert de fusées en aluminium 2/4mm (0,019 po) (2) : 22	Set inserto fuso alluminio 2/4 mm (2): Tutte le 22	Juego de Inserto de Huso Aluminio 2/4 mm (2): Todos 22
TLR334050	Fr Camber Block 22 & 22 SCT, Stiffezel	Fr.-Kammerblock 22 & 22 SCT, Stiffezel	Cale de carrossage arrière 22 et SCT, Stiffezel	Blocco camber anteriore 22 & 22 SCT, Stiffezel	Bloque Camber Delantero: 22 & 22 SCT, Stiffezel
TLR336001	4mm Aluminum Serrated Lock Nuts, Blue (6)	TLR 4mm Aluminium Stopmutter mit Flansch Blau (6).	Ecrou auto-freiné épaulé M4, aluminium, bleu (6)	Dado autobloccante 4mm dentellato, blu (6)	Tuercas 4mm aluminio con bloqueo, azul (6)
TLR336002	TLR 22 Series Hardware Box, Metric: 22/T/SCT/22-4	TLR22 Serie Kleinteilebox Metrisch: 22/T/SCT/22-4	22/T/SCT/22 -4 - Boite de visserie métrique pour TLR 22	TLR22 Set Hardware Metrico 22/T/SCT/22-4	TLR22 Caja de tornillos, métrico 22/T/SCT/22-4
TLR336004	M3 Aluminum Lock Nuts, Black (10)	M3 Aluminum Stopmuttern Schwarz (10)	Écrou auto-freiné M3 en aluminium, noir (10)	Dadi autobloccanti allum. M3, neri (10)	Tuerca de bloqueo M3 en aluminio, negra (10)
TLR336005	M3 Flanged Alum Locknuts Blk(10)	M3 Aluminium Stopmutter mit Bund Schwarz (10)	Écrou auto-freiné épaulé M3 en aluminium, noir (10)	Dadi autobloccanti allum. flangiati M3, neri (10)	Tuerca de bloqueo embreada M3 en aluminio, negra (10)

Part #	English	Deutsch	Français	Italiano	Español
TLR338007	Stand Up Transmission Conv: 22 4.0	Stand-Up Umbaukit: 22 4.0	22 4.0 - Kit de conversion pour transmission Stand-up	Kit conversione trasmissione stand-up: 22 4.0	kit de conversión para transmisión Stand-up: 22 4.0
TLR4166	Titanium Shock Mounts (4): 22	TLR Titan Dämpferbefestigung (4): 22	22 - Fixations d'amortisseurs en titane	Supporti ammortizzatori in titanio (4): 22	Sujeción superior amortiguadores titanio (4): 22
TLR5099	Shock Tool Kit, Aluminum: 12mm Shock	TLR Dämpfer Werkzeugset, Aluminium: 12mm Dämpfer	Set d'outillage pour amortisseurs 12mm	Kit attrezzi ammortizz. 12mm, alluminio	Herramientas amortiguador 12mm aluminio
TLR5166	Rear Shock Spring, 1.8 Rate, White	Dämpferfeder hinten weiss, 1.8 Rate	Ressorts arrières, dureté 1,8, blancs	Molle ammort. posteriori, gradazione 1.8, Bianche	Muelle amortiguador trasero, durezo 1.8, blanco
TLR5168	Rear Shock Spring, 2.3 Rate, Pink	TLR Federnpaar Hinten, 2.3 Race, Pink	Ressorts arrière, dureté 2.3, rose	Molle ammort. posteriori, grado 2.3 colore rosa.	Muelle amortiguador trasero, durezo 2.3, rosa
TLR5182	Front Shock Spring, 3.5 Rate, Green: 22T	TLR Feder Vorne 3.5 Rate, Grün: 22T	22T - Ressorts avant, dureté 3.5, vert	Molle ammort. anteriori, grado 3.5, colore verde.	Muelle amortiguador delantero, durezo 3.5, verde: 22T
TLR5184	Front Shock Spring, 4.1 Rate, Black: 22T	TLR Federnsatz Vorn 4.1 Schwarz: 22T	22T - Ressorts avant, dureté 4.1, noir	Molle ammort. anteriori, grado 4.1, colore nero.	Muelle amortiguador delantero, durezo 4.1, negro: 22T
TLR6019	Ballstud/Hub Spacer Set, Aluminum: 22	TLR Distanzringe für Kugelkopf Aluminium: 22	22 - Rotules à visser et entretoises en aluminium	Perno sferico/set distanziali, alluminio: 22	Arandelas ajuste bola/mangueta aluminio: 22
TLR6030	Titanium Ball Stud, 4.8 x 6mm (2)	TLR Titan Kugelköpfe, 4.8 x 6mm (2)	Rotule en titane, 4,8 x 6mm (2)	Perno sferico, titanio, 4.8 x 6mm (2)	Bola con tornillo 4.8 x 6mm (2)
TLR6031	Titanium Ball Stud, 4.8 x 8mm (2)	TLR Titan Kugelköpfe, 4.8 x 8mm (2)	Rotule en titane, 4,8 x 8mm (2)	Perno sferico, titanio, 4.8 x 8mm (2)	Bola con tornillo 4.8 x 8mm (2)
TLR6032	Titanium Ball Stud, 4.8 x 10mm (2)	TLR Titan Kugelköpfe, 4.8 x 10mm (2)	Rotule en titane, 4,8x10mm (2)	Perno sferico, titanio, 4.8 x 10mm (2)	Bola con tornillo 4.8 x 10mm (2)
TLR7003	Front/Rear Wheel, White: 22T	Rad v/h Weiss:22T	22T Jantes av/arr, blanches	Cerchione ant./post, bianco: 22T	Llantas delanteras y traseras, blancas: 22T
TLR74004	Silicone Shock oil, 25wt, 2oz	Silikonstoßdämpferöl, 25wt, 2 oz	Huile silicone d'amortisseur, 25wt, 60 ml	Olio silicone ammortizzatori, 25wt, 2oz	Aceite amortiguador silicona 25wt, 2oz
TLR74005	Silicone Shock oil, 27.5wt, 2oz	Silikonstoßdämpferöl, 27,5wt, 2 oz	Huile silicone d'amortisseur, 27,5wt, 60 ml	Olio silicone ammortizzatori, 27.5wt, 2oz	Aceite amortiguador silicona 27.5wt, 2oz
TLR74006	Silicone Shock oil, 30wt, 2oz	Silikon Stoßdämpfer Öl, 30wt, 2oz	Huile silicone d'amortisseur, 30wt, 60 ml	Olio silicone ammortizzatore, 30wt, 2oz	Aceite silicona amortiguador 30wt, 2oz
TLR74008	Silicone Shock oil, 35wt, 2oz	Silikonstoßdämpferöl, 35wt, 2 oz	Huile silicone d'amortisseur, 35wt, 60 ml	Olio silicone ammortizzatori, 35wt, 2oz	Aceite amortiguador silicona 35wt, 2oz
TLR74009	Silicone Shock Oil, 37.5wt, 2oz	Silikonstoßdämpferöl, 37.5wt, 2 oz	Huile silicone d'amortisseur, 37.5wt, 60 ml	Olio silicone ammortizzatori, 37.5wt, 2oz	Aceite amortiguador silicona 37.5wt, 2oz
TLR74019	Shock Oil 6Pk, 17.5, 22.5, 27.5, 32.5, 37.5, 42.5 2oz	Stoßdämpferöl 6 Set, 17.5, 22.5, 27.5, 32.5, 37.5, 42.5, 2oz	Assortiment de 6 flacons d'huile silicone d'amortisseur 17.5, 22.5, 27.5, 32.5, 37.5, 42.5 en 60ml	Olio ammortizzatori 6Pk, 17.5, 22.5, 27.5, 32.5, 37.5, 42.5 2oz	Pack aceite amortiguador silicona 17.5, 22.5, 27.5, 32.5, 37.5, 42.5wt, 2oz
TLR74020	Shock Oil 6Pk, 20, 25, 30, 35, 40, 45, 2oz	Stoßdämpferöl 6 Set 6Pk, 20, 25, 30, 35, 40, 45, 2oz	Assortiment de 6 flacons d'huile silicone d'amortisseur 20, 25, 30, 35, 40, 45 en 60ml	Olio ammortizzatori 6Pk, 20, 25, 30, 35, 40, 45, 2oz	Pack aceite amortiguador silicona 20, 25, 30, 35, 40, 45wt 2oz
TLR76000	Tire Glue, Standard	TLR Reifenkleber Standard	Colle à pneus standard	Colla per gomma, standard	Pegamento de neumáticos estándar
TLR77002	Shock O-Ring Grease, 8cc	TLR Fett 8cc O-Ring	Graisse pour joints toriques d'amortisseurs, 8cc	Grasso o-ring ammort, 8cc	Grasa para junta tórica amortiguador, 8cc
TLR99004	TLR Embroidered Cargo Bag	TLR Tasche	Sac de transport TLR	Borsa ricamata TLR	Bolsa de transporte TLR
TLR99014	TLR Foam Pit Mat	TLR Schraubermitte Schaum	Tapis de stand en mousse TLR	Stuoia gommapiuma TLR	Base de trabajo foam TLR
TLR99101	Shock Shaft Pliers	TLR Zange für Dämpferkolbenstange	Pince à tige d'amortisseur	Pinze albero ammortizzatore	Alicates para vástagos amortiguador
TLR99102	Turnbuckle Wrench, 22, 8ight, XXX	TLR Stellschlüssel für Gewindestift, 3.5, 4, 5mm	Clé à biellettes 3.5mm, 4mm, 5mm	Chiave per tenditore, 22, 8ight, XXX	Llave tirantes: 22, 8ight, XXX