



AXI03008T1/T2

1/10TH SCALE READY-TO-RUN

# SCX10<sup>™</sup> III JEEP<sup>®</sup> CJ-7



**INSTRUCTION MANUAL  
BEDIENUNGSANLEITUNG  
MANUEL D'UTILISATION  
MANUALE DI ISTRUZIONI**

Scan the QR code and select the Manuals and Support quick links from the product page for the most up-to-date manual information.

Scannen Sie den QR-Code und wählen Sie auf der Produktseite die Quicklinks Handbücher und Unterstützung, um die aktuellsten Informationen zu Handbücher.

Scannez le code QR et sélectionnez les liens rapides Manuals and Support sur la page du produit pour obtenir les informations les plus récentes sur le manuel.

Scannerizzare il codice QR e selezionare i Link veloci Manuali e Supporto dalla pagina del prodotto per le informazioni manuali più aggiornate.

## NOTICE

All instructions, warranties and other collateral documents are subject to change at the sole discretion of Horizon Hobby, LLC. For up-to-date product literature, visit [horizonhobby.com](http://horizonhobby.com) or [towerhobbies.com](http://towerhobbies.com) and click on the support or resources tab for this product.


## MEANING OF SPECIAL LANGUAGE

The following terms are used throughout the product literature to indicate various levels of potential harm when operating this product:

**WARNING:** Procedures, which if not properly followed, create the probability of property damage, collateral damage, and serious injury OR create a high probability of superficial injury.

**CAUTION:** Procedures, which if not properly followed, create the probability of physical property damage AND a possibility of serious injury.

**NOTICE:** Procedures, which if not properly followed, create a possibility of physical property damage AND a little or no possibility of injury.

 **WARNING:** Read the ENTIRE instruction manual to become familiar with the features of the product before operating. Failure to operate the product correctly can result in damage to the product, personal property and cause serious injury.

This is a sophisticated hobby product. It must be operated with caution and common sense and requires some basic mechanical ability. Failure to operate this Product in a safe and responsible manner could result in injury or damage to the product or other property. This product is not intended for use by children without direct adult supervision. Do not use with incompatible components or alter this product in any way outside of the instructions provided by Horizon Hobby, LLC. This manual contains instructions for safety, operation and maintenance. It is essential to read and follow all the instructions and warnings in the manual, prior to assembly, setup or use, in order to operate correctly and avoid damage or serious injury.


**Age Recommendation: Not for children under 14 years. This is not a toy.**

## SAFETY PRECAUTIONS AND WARNINGS

As the user of this product, you are solely responsible for operating in a manner that does not endanger yourself and others or result in damage to the product or property of others.

This model is controlled by a radio signal subject to interference from many sources outside your control. This interference can cause momentary loss of control, so it is advisable to always keep a safe distance in all directions around your model as this margin will help avoid collisions or injury.

- Never operate your model with low transmitter batteries.
- Always operate your model in open spaces away from full-size vehicles, traffic and people.
- Never operate the model in the street or in populated areas for any reason.
- Carefully follow the directions and warnings for this and any optional support equipment (chargers, rechargeable battery packs, etc.) you use.
- Keep all chemicals, small parts and anything electrical out of the reach of children.
- Never lick or place any portion of the model in your mouth as it could cause serious injury or even death.
- Exercise caution when using tools and sharp instruments.
- Take care during maintenance as some parts may have sharp edges.
- Immediately after using your model, do NOT touch equipment such as the motor, electronic speed control and battery, because they generate high temperatures. You may burn yourself seriously touching them.
- Do not put fingers or any objects inside rotating and moving parts, as this may cause damage or serious injury.
- Always turn on your transmitter before you turn on the receiver in the car. Always turn off the receiver before turning your transmitter off.
- Keep the wheels of the model off the ground when checking the operation of the radio equipment.

 **WARNING AGAINST COUNTERFEIT PRODUCTS:** Always purchase from a Horizon Hobby, LLC authorized dealer to ensure authentic high-quality Spektrum product. Horizon Hobby, LLC disclaims all support and warranty with regards, but not limited to, compatibility and performance of counterfeit products or products claiming compatibility with DSM® or Spektrum technology.



## TABLE OF CONTENTS


Water-resistant Vehicle with Waterproof Electronics .....	3	Using the DIG Transmission .....	8
Box Contents.....	4	Vehicle Maintenance .....	9
Required Equipment .....	4	Spektrum Receiver/ESC Combo .....	10
Recommended Tools .....	4	Gear Ratio.....	10
Getting Started Checklist.....	5	Troubleshooting.....	11
Vehicle Parts.....	5	Limited Warranty.....	12
Charge the Vehicle Battery .....	6	Warranty and Service Contact Information .....	12
Install the Transmitter Batteries.....	6	FCC Information.....	13
Transmitter Functions.....	6	IC Information.....	13
Adjusting the Vehicle Battery Tray.....	7	Compliance Information for the European Union .....	13
Install the Vehicle Battery .....	7	Parts Lists.....	57
Binding.....	8	Recommended Parts.....	58
Range-checking the Radio System.....	8	Optional Parts.....	60

## WATER-RESISTANT VEHICLE WITH WATERPROOF ELECTRONICS

Your new Horizon Hobby vehicle has been designed and built with a combination of waterproof and water-resistant components to allow you to operate the product in many “wet conditions,” including puddles, creeks, wet grass, snow and even rain.

While the entire vehicle is highly water-resistant, it is not completely waterproof and your vehicle should NOT be treated like a submarine. The various electronic components used in the vehicle, such as the Electronic Speed Control (ESC), servo(s) and receiver are waterproof, however, most of the mechanical components are water-resistant and should not be submerged.

Metal parts, including the bearings, hinge pins, screws and nuts, as well as the contacts in the electrical cables, will be susceptible to corrosion if additional maintenance is not performed after running in wet conditions. To maximize the long-term performance of your vehicle and to keep the warranty intact, the procedures described in the “Wet Conditions Maintenance” section below must be performed regularly if you choose to run in wet conditions. If you are not willing to perform the additional care and maintenance required, then you should not operate the vehicle in those conditions.

 **CAUTION:** Failure to exercise caution while using this product and complying with the following precautions could result in product malfunction and/or void the warranty.

### GENERAL PRECAUTIONS

- Read through the wet conditions maintenance procedures and make sure that you have all the tools you will need to properly maintain your vehicle.
- Not all batteries can be used in wet conditions. Consult the battery manufacturer before use. Caution should be taken when using Li-Po batteries in wet conditions.
- Most transmitters are not water-resistant. Consult your transmitter’s manual or the manufacturer before operation.
- Never operate your transmitter or vehicle where lightning may be present.
- Do not operate your vehicle where it could come in contact with salt water (ocean water or water on salt-covered roads), contaminated or polluted water. Salt water is very conductive and highly corrosive, so use caution.

- Even minimal water contact can reduce the life of your motor if it has not been certified as water-resistant or waterproof. If the motor becomes excessively wet, apply very light throttle until the water is mostly removed from the motor. Running a wet motor at high speeds may rapidly damage the motor.
- Driving in wet conditions can reduce the life of the motor. The additional resistance of operating in water causes excess strain. Alter the gear ratio by using a smaller pinion or larger spur gear. This will increase torque (and motor life) when running in mud, deeper puddles, or any wet conditions that will increase the load on the motor for an extended period of time.

### WET CONDITIONS MAINTENANCE

- Drain any water that has collected in the tires by spinning them at high speed. With the body removed, place the vehicle upside down and pull full throttle for a few short bursts until the water has been removed.



**CAUTION:** Always keep hands, fingers, tools and any loose or hanging objects away from rotating parts when performing the above drying technique.

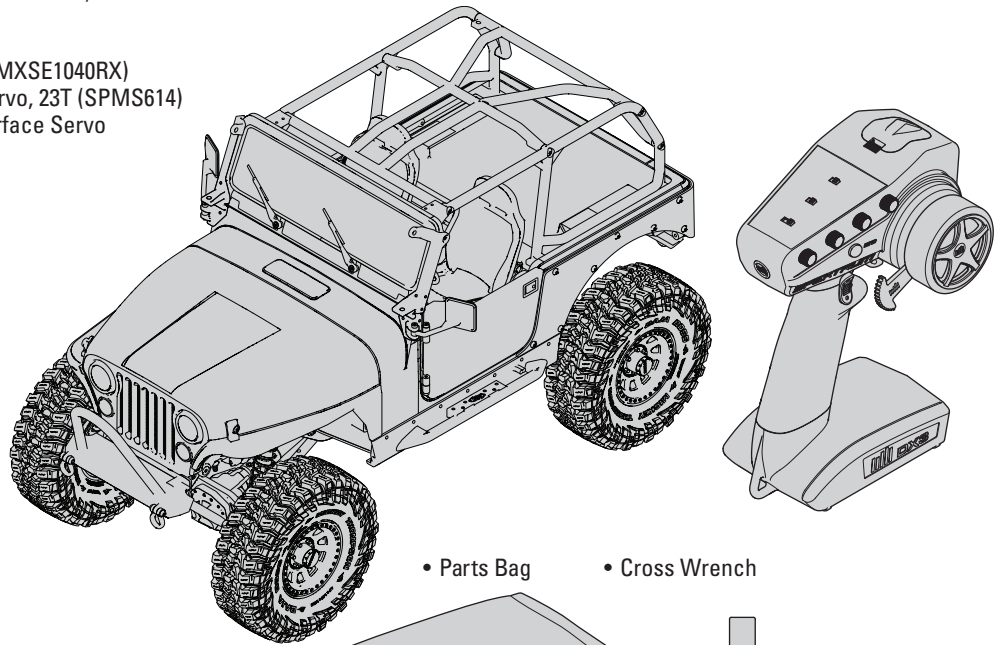
- Remove the battery pack(s) and dry the contacts. If you have an air compressor or a can of compressed air, blow out any water that may be inside the recessed connector housing.
- Remove the tires/wheels from the vehicle and gently rinse the mud and dirt off with a garden hose. Avoid rinsing the bearings and transmission.

**NOTICE:** Never use a pressure washer to clean your vehicle.

- Use an air compressor or a can of compressed air to dry the vehicle and help remove any water that may have gotten into small crevices or corners.
- Spray the bearings, drive train, fasteners and other metal parts with a water-displacing light oil. Do not spray the motor.
- Let the vehicle air dry before you store it. Water (and oil) may continue to drip for a few hours.
- Increase the frequency of disassembly, inspection and lubrication of the following:
  - Front and rear axle hub assembly bearings.
  - All transmission cases, gears and differentials.
  - Motor—clean with an aerosol motor cleaner and re-oil the bushings with lightweight motor oil.

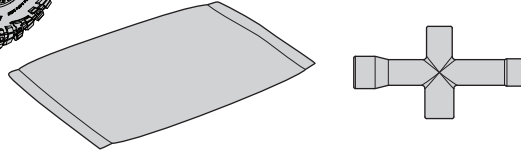
## BOX CONTENTS

- Spektrum™ DX3™ 2.4GHz Transmitter (SPM2340)
- Axial® SCX10™ III Jeep® CJ-7 RTR
  - 35T Electric Motor (DYNS1216)
  - Spektrum Receiver/ESC Combo (SPMXSE1040RX)
  - Water Proof Metal Gear Surface Servo, 23T (SPMS614)
  - SX108 Micro Analog Metal Gear Surface Servo (For dig function) (SPMSSX108)



• Parts Bag

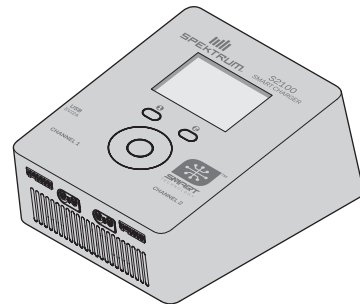
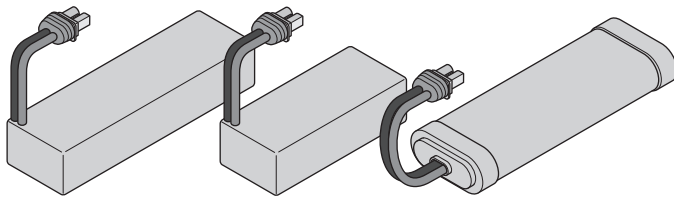
• Cross Wrench



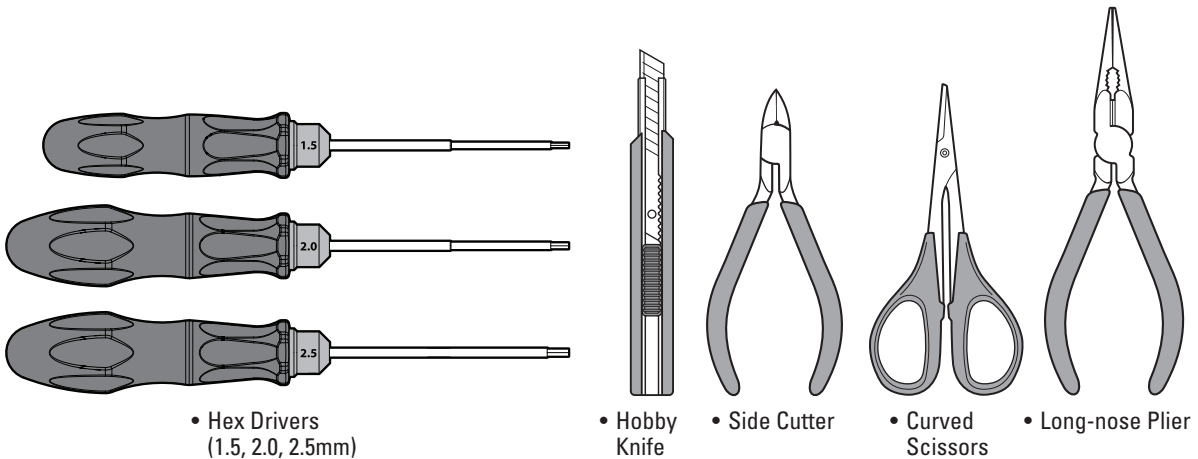
## REQUIRED EQUIPMENT

- 2-3S Standard or "Shorty" LiPo Battery
- OR**
- 5-9 Cell NiMH/NiCd battery  
(IC3® Connector Required)

- Battery charger compatible with the chosen vehicle battery type



## RECOMMENDED TOOLS



• Hex Drivers  
(1.5, 2.0, 2.5mm)

• Hobby Knife

• Side Cutter

• Curved Scissors

• Long-nose Plier

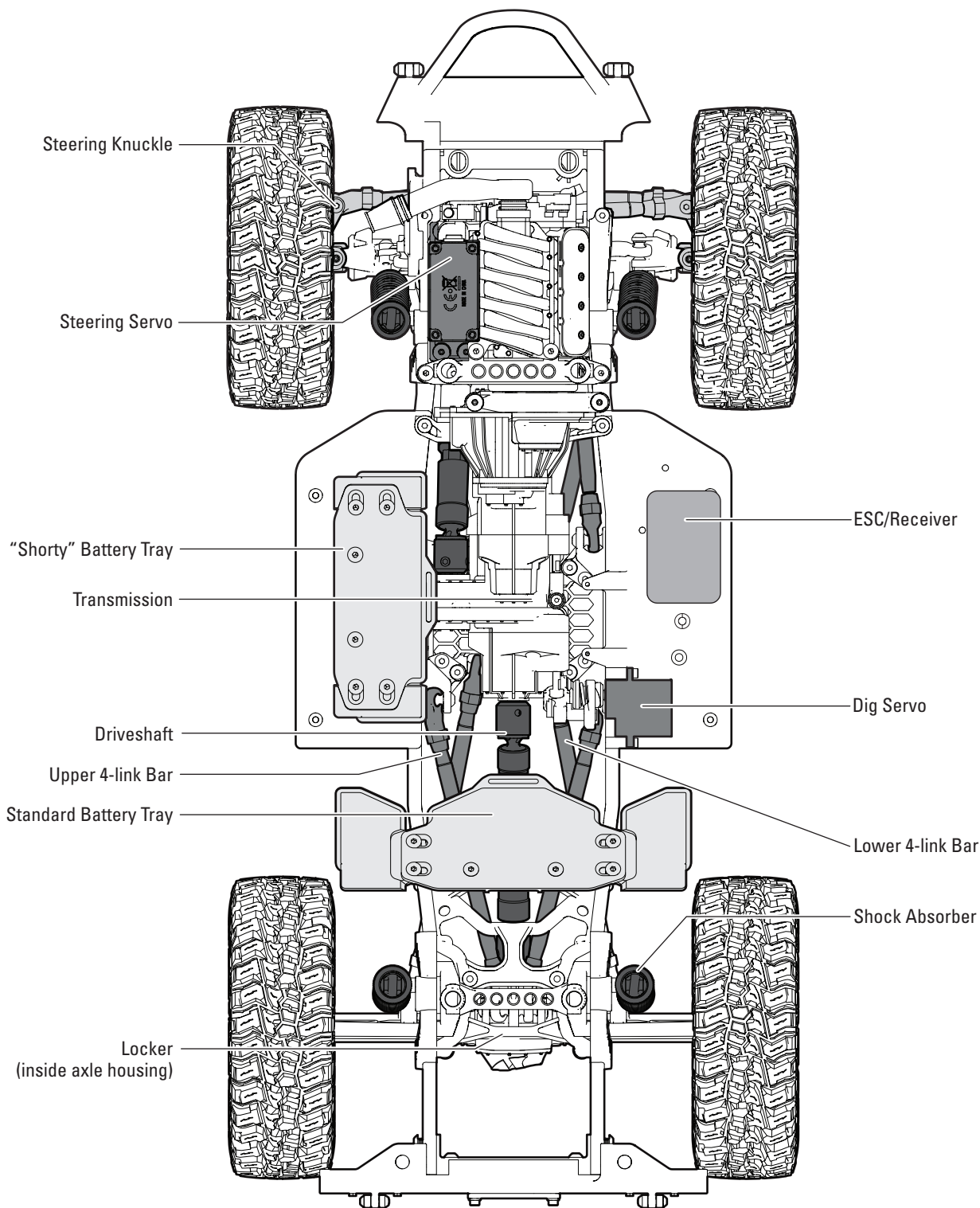


## GETTING STARTED CHECKLIST

Read the manual
Familiarize yourself with the vehicle and its components
Check all screws, especially the driveshaft setscrews, for tightness from the factory
Charge the vehicle battery
Install 4 AA batteries in the transmitter

Install the vehicle battery in the vehicle
Power on the transmitter and then connect battery to ESC
Check for proper function of the throttle and steering
Range check the radio system
Drive the vehicle, challenge yourself, and have FUN!
Perform any necessary vehicle maintenance

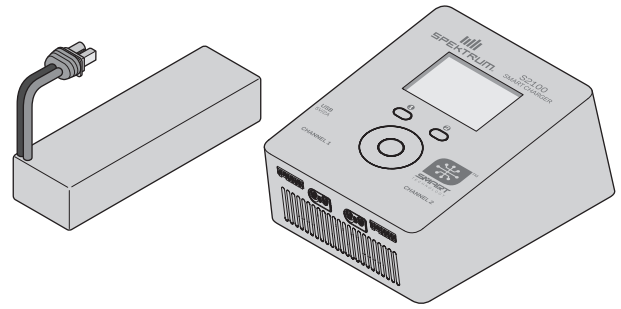
## VEHICLE PARTS



## CHARGE THE VEHICLE BATTERY

Follow the manufacturer's directions for your charger to properly charge the vehicle battery.

**CAUTION:** Only use chargers designed to charge the chosen battery type. Using an incorrect charger or incorrect charger settings could cause the battery to catch fire or explode.



## INSTALL THE TRANSMITTER BATTERIES

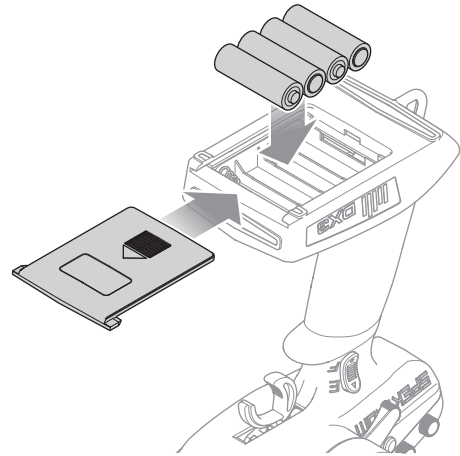
This transmitter requires 4 AA batteries (included).

1. Remove the battery cover from the transmitter.
2. Install the batteries as shown.
3. Install the battery cover.

**CAUTION:** NEVER remove the transmitter batteries while the model is powered on. Loss of model control, damage, or injury may occur.

**CAUTION:** If using rechargeable batteries, charge only rechargeable batteries. Charging non-rechargeable batteries may cause the batteries to burst, resulting in injury to persons and/or damage to property.

**CAUTION:** Risk of explosion if battery is replaced by an incorrect type. Dispose of used batteries according to national regulations.



## TRANSMITTER FUNCTIONS

### A/B. Channel 3 Button (Dig Function)

### C. Throttle/Brake

### D. Steering Wheel

### E. Steering Rate

Adjusts the end point of the steering

### F. Brake Rate

Adjusts the braking end point.

### G. Steering Trim

Adjusts the steering center point. Normally, the steering trim is adjusted until the vehicle tracks straight.

### H. Throttle Trim

Adjusts the throttle neutral point

### I. SMART Battery Level Indicator

### J. Servo Reversing

To reverse the Throttle (TH) or Steering (ST) channel, switch the position of the correlating switch—"N" is for normal, "R" is for reverse.

### K. Throttle Limit

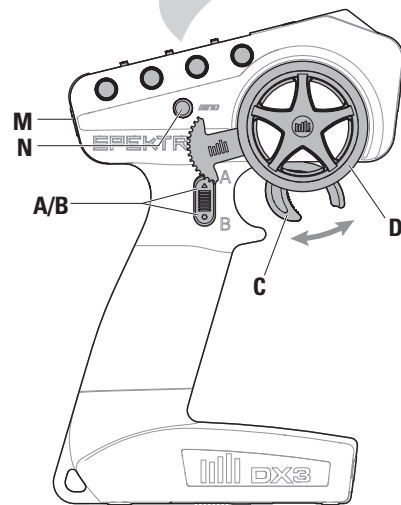
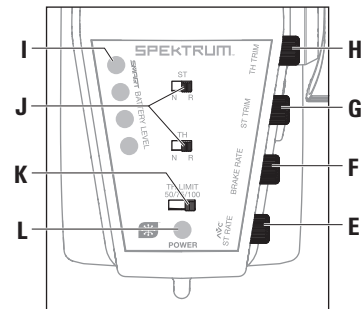
Limits throttle output to 50/75/100%  
Select 50% or 75% for less experienced drivers or when you are driving the vehicle in a small area.

### L. Power LED

- **Solid red lights:** Indicates radio connectivity and adequate battery power
- **Flashing red lights:** Indicates the battery voltage is critically low. Replace batteries

### M. Power Button

### N. Bind Button

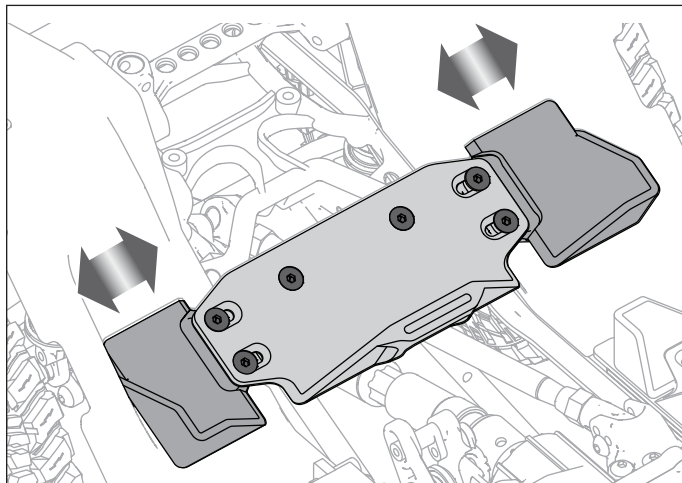


## ADJUSTING THE VEHICLE BATTERY TRAY

The battery trays may be adjusted to fit a wide range of battery sizes. The rear battery tray is shown in the illustration. The side battery tray is adjustable in the same manner.

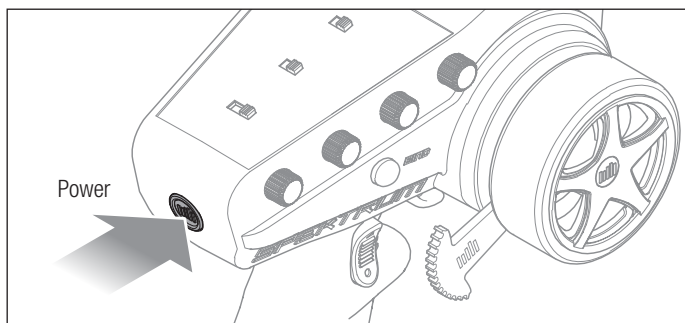
To adjust the battery tray:

1. Loosen the four flathead screws shown in the illustration.
2. Slide the ends of the battery tray in or out to fit the desired battery.
3. Tighten the four flathead screws. Do not over-tighten the screws.

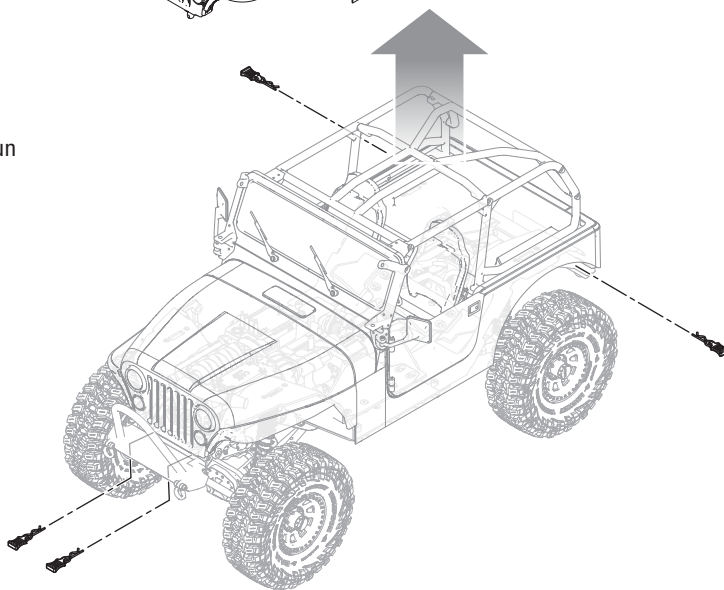
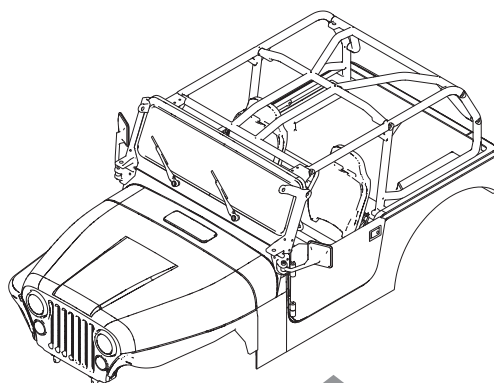
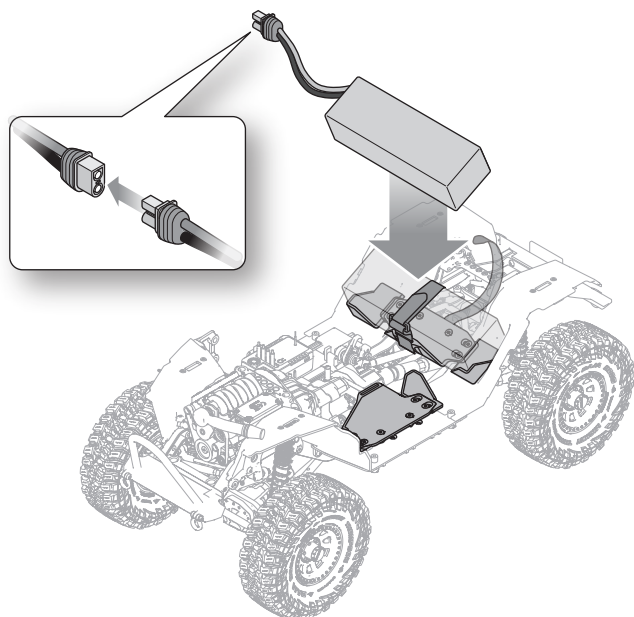


## INSTALL THE VEHICLE BATTERY

The following steps show the installation of a standard size battery in the rear battery tray of the vehicle. If you wish to use a "shorty" style battery, it should be installed in the side battery tray location.



1. Power on the transmitter.
2. Remove the four body clips from the body.
3. Gently lift the body from the chassis to preserve the wires that run from the headlight and taillights to the ESC.
4. Place the battery in the battery tray. The battery tray length may be adjusted to fit the battery as described in the previous section.
5. Secure the battery to the tray with the hook and loop strap.



6. Connect the battery to the ESC.
7. Re-install the body and four body clips to the chassis.

**NOTICE:** Always disconnect the battery from the ESC before powering off the transmitter. Loss of vehicle control may result.



## BINDING

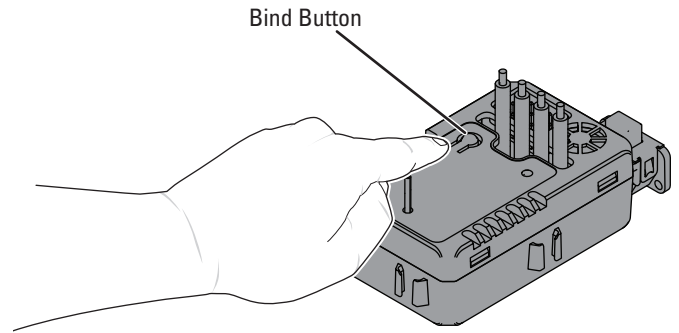
Binding is the process of programming the receiver to recognize the GUID (Globally Unique Identifier) code of a single specific transmitter.

**Failsafe:** Hold the steering wheel and throttle trigger in the desired failsafe positions during binding

1. Press and hold the bind button.
2. Power ON the receiver. The orange LED will begin to flash.
3. Set the trims and control positions at the desired failsafe settings.
4. Power ON the DX3 transmitter.
5. When the transmitter's orange LED remains lit, it is connected to SPMXSE1040RX receiver/ESC combo.

You must rebind when:

- Different failsafe positions are desired (e.g., when throttle or steering reversing has changed).
- Binding the receiver to a different transmitter.



## RANGE-CHECKING THE RADIO SYSTEM

The radio system should be checked before operating the vehicle to ensure proper operation and adequate range.

1. Turn on the transmitter.
2. Connect the battery in the vehicle.
3. Have a friend hold the vehicle while keeping hands and loose clothing away from moving parts.
4. Walk away until you are at the maximum planned operating distance from the vehicle.
5. Turn the steering wheel side to side and operate the throttle, both forward and reverse, checking for any erratic behavior.
6. If any erratic behavior is exhibited, DO NOT operate the vehicle. Contact customer service for assistance.



## USING THE DIG TRANSMISSION

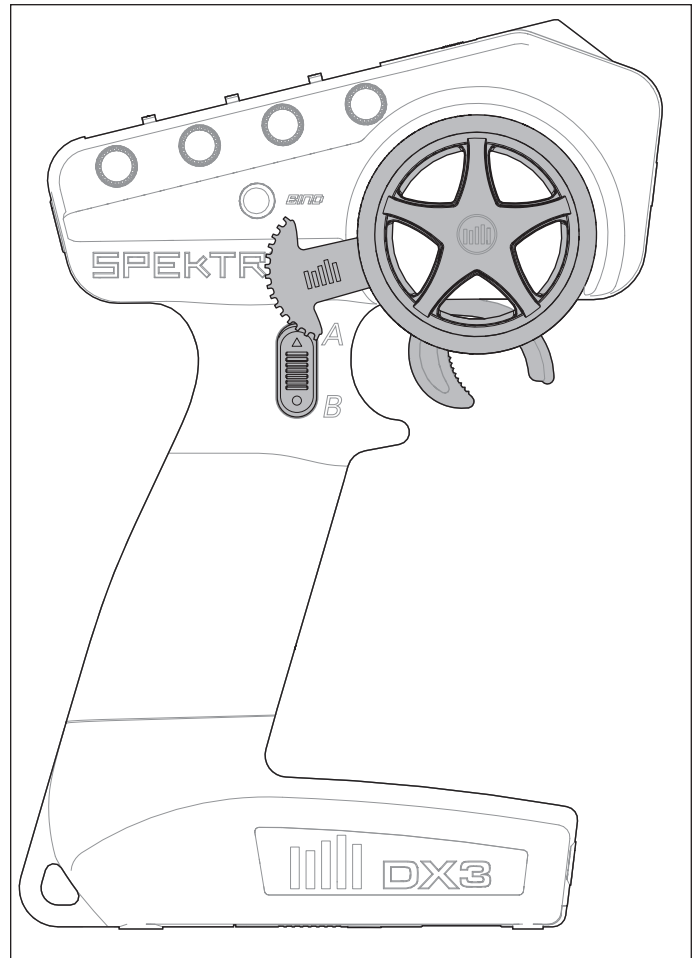
The vehicle includes a "Dig" transmission which allows the rear axle to lock while still allowing the front wheels to spin. Use this feature in close quarters to turn the vehicle tighter than is possible with normal 4 wheel drive or to preload the suspension when needed.

To use the Dig function:

1. Press and hold the channel 3 B button on the transmitter. The Dig function engages, locking the rear axle. Hold the B button as long as you want the dig function to be engaged.
2. Advance the throttle and turn the steering wheel left or right to tightly pivot the vehicle around.
3. Release the channel 3 B button to disengage the Dig function.

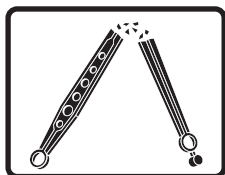
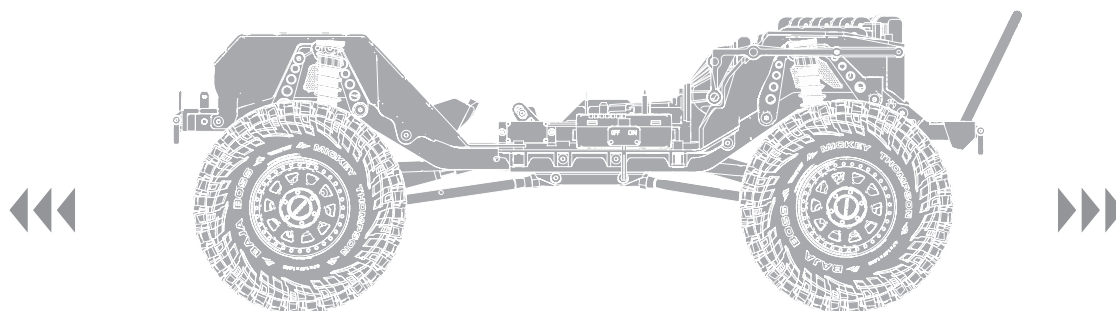
**TIP:** Reversing slightly may be required to disengage the Dig function.

If necessary, refer to the DX3 manual to adjust the endpoints of the Dig function.

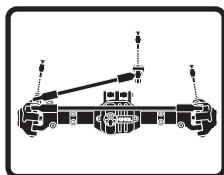


## VEHICLE MAINTENANCE

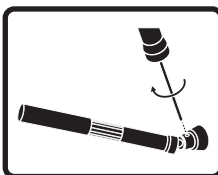
Just like a full size car or truck, your RC vehicle must undergo periodic maintenance in order to ensure peak performance. Preventative maintenance will also help avoid needless breakages which could result in costly repairs. Below are some suggestions to properly maintain your vehicle.



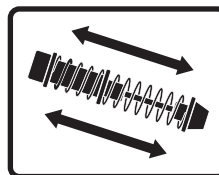
Replace any noticeable bent or broken parts



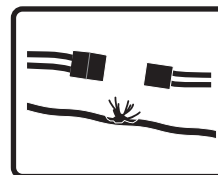
Check for wear on the ball joints in the steering and suspension links (replace if necessary)



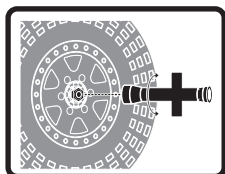
Check driveshaft set screws and apply thread locking compound if necessary



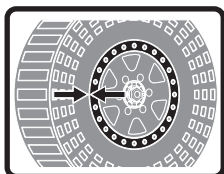
Inspect shock absorbers for smooth dampened operation



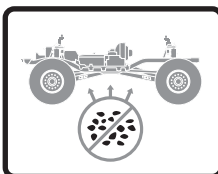
Check for any loose connections or frayed wiring



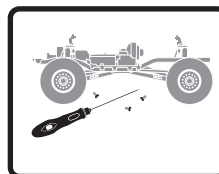
Check the wheel nuts for tightness



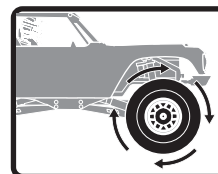
Ensure the wheel beads are still firmly bonded around the entire circumference of the rim



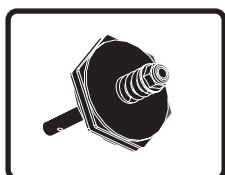
Keep the chassis free of dirt and debris



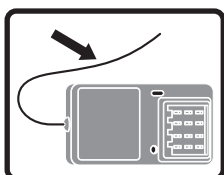
Check for loose screws on the chassis, especially the knuckle, C-hub and axle lockout screws



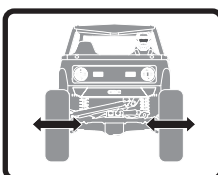
Check the driveline for smooth, bind free operation



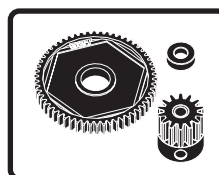
If applicable, check the slipper clutch for proper operation



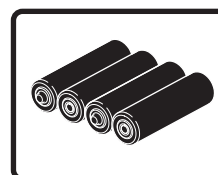
Check the receiver antenna for damage



Check the steering operation for any binding



Inspect the spur and pinion gears for damage



Replace the transmitter batteries when indicated by the transmitter, as described in the Transmitter Functions section

## SPEKTRUM RECEIVER/ESC COMBO

### OPERATION

1. Power on the transmitter.
2. Power on the receiver.
3. The green LED on the receiver will be illuminated when it is connected to your transmitter.
4. Disconnect the battery from the ESC/Receiver after operation.

### FAILSAFE

In the unlikely event that the radio link is lost during use, the 2-in-1 will drive the throttle channel to the neutral (throttle off) position. If the 2-in-1 is powered on prior to turning on the transmitter, it will enter failsafe mode, leaving throttle off. When the transmitter is turned on, normal control will resume.

### LED INDICATORS

Upon powering ON the ESC, the red LED will blink and the motor will emit a series of beeps to indicate its status. The number of tones indicates (1) the ESC is in operation (2) the battery mode detected and (3) the ESC is in a ready-to-use state.

FEATURE	RED LED STATUS	MOTOR SOUND
ESC Is In Operation	Rapid Blinking	4 Changing Tones
Ni-MH/Ni-CD Battery	1 Blink	1 Short Tone
2S Li-Po Battery	2 Blinks	2 Short Beeps
3S Li-Po Battery	3 Blinks	3 Short Beeps
ESC Ready, No Transmitter Signal	2 Short Blinks, Red Blink Repeating	2 Ascending Tones, Descending Tones Repeating

OPERATION	LED STATUS
Forward	
Partial Throttle	Green Solid, Red Blinks
Full Throttle	Green and Red Solid
Reverse	
Partial Throttle	Green Solid, Red Blinks
Full Throttle	Green and Red Solid
Brake	
Partial	Green Solid, Red Blinks
Full	Green and Red Solid
Stop	Green Solid
Battery Low Voltage or No Signal	Red Blinks
Overheat	Green Blinks
Over Current Protection	Green and Red Triple Blinks

### SPECIFICATIONS

Type	Waterproof DSMR ESC/Receiver 2-in-1 with SMART Telemetry
Dimensions (L x W x H)	54mm x 33.5mm x 20.5mm
Antenna Length	31mm
Channels	4 (No Throttle Servo Output)
Weight	68g
Band	2404 MHz – 2476 MHz
Servo Output Voltage	6V up to 3A, Shared with Auxillary Light Connectors
Telemetry Features	Battery Voltage, Current, ESC Temp, Battery Data (with SMART Battery)
Battery Input Connector	IC3® (EC3™ Compatible)
Voltage Range	2–3S Li-Po*/5–9S NiMH
Max Current	40A Continuous/ 180A Burst
Motor Connectors	3.5mm Bullet

\*Default setting for low voltage cutoff is Li-Po. Optional Dynamite Program Card (DYNS3005) required to change the Battery Type Setting.

## ESC AND TRANSMITTER CALIBRATION

The included transmitter and ESC/receiver combo automatically calibrate when powered on. Follow the procedure below to ensure accurate calibration between the transmitter and ESC/receiver.

1. Connect a fully charged battery to the ESC/receiver. Ensure the power switch is in the OFF position.
2. Power the transmitter ON. Ensure the throttle is not reversed, the throttle trim is neutral and the throttle travel range is at 100%.
3. With the throttle at neutral, power ON the ESC/receiver.
4. Leave the throttle trigger and trims at neutral for at least 3 seconds. The ESC/Receiver automatically calibrates the throttle range after 3 seconds.
5. The LED will blink and the motor will beep to indicate the battery mode selection.
6. One long LED blink and one long beep indicates the ESC is ready to run.

## GEAR RATIOS

### SPUR/PINION GEAR RATIO CHART - LCX TRANSMISSION

	12	13	14	15	16	17	18
Low Speed (standard)	58.1	49.2	45.6	42.6	39.4	37.6	35.5
High Speed (optional)	39.8	36.5	31.3	29.2	27.3	25.7	24.3



## TROUBLESHOOTING

PROBLEM	POSSIBLE CAUSE	SOLUTION
The system will not connect	Your transmitter and receiver are too close together	Move transmitter 8 to 12 feet away from receiver
	You are near metal objects	Move to an area with less metal
	The receiver is bound to a different model memory	Make sure the correct model memory is active in your transmitter
	Your transmitter was placed into bind mode and is no longer bound to your receiver	Rebind your transmitter and receiver, and then re-calibrate
The receiver goes into failsafe a short distance away from the transmitter	Check for damage on the receiver antenna	Make sure your receiver antenna is protected and located as high as practical
		Replace the receiver or contact Horizon Product Support
The receiver stops responding during operation	Low receiver battery voltage. If the battery voltage is low, it may drop below 3.5V momentarily, causing the receiver to brown-out, then reconnect	Charge the receiver or vehicle battery. Spektrum receivers require at least 3.5V to operate
	Loose or damaged wires or connectors between battery and receiver	Check the wires and connection between the battery and receiver. Repair or replace wires and/or connectors
Vehicle does not move	Batteries are not installed properly in the transmitter	Ensure the transmitter batteries are properly installed
	Weak or no battery in the vehicle	Install a freshly charged vehicle battery
	Damaged motor	Replace the motor
	Frayed or broken wiring	Replace any damaged wiring
	ESC is shut down by heat protection circuit	Allow the ESC to cool down completely
Loss of vehicle control	Improper antenna placement	Ensure the transmitter antenna is not blocked and the receiver antenna is located properly
	Weak or no batteries in the transmitter or vehicle	Install a freshly charged vehicle battery and new transmitter batteries
	Neutral or trim position is incorrect	Adjust the steering trim
	Receiver and/or battery not connected properly	Check all receiver and battery connections
Steering and/or throttle function is reversed	Servo travel is reversed at the transmitter	Set the transmitter servo reversing switch to the correct position
	Motor wires are not connected properly	Check all motor wires for correct polarity and secure connection
ESC ON - No motor function, audible tone or LED	Battery/connection issue	Recharge/replace battery. Secure all connections
	Damaged ESC	Repair/replace ESC
	Damaged motor	Repair/replace
Motor- Stops and LED blinks	Low voltage protection	When the ESC LED blinks, recharge/replace battery
	Overheat protection	When the LED blinks, let motor/ESC cool, change set up or gearing to avoid overheating
Motor- Accelerates irregularly	Battery issue	Repair damaged wiring/replace battery
	Incorrect gearing	Adjust/replace gearing
	Worn or damaged motor	Repair/replace motor
Motor- Does not turn continuously in response to throttle	ESC/motor damaged	Repair/replace wiring or motor/ESC
Motor- Slows but will not stop	Incorrect transmitter/ESC calibration	Adjust throttle travel/other throttle settings on the transmitter/ESC. Repeat the ESC Calibration Procedure
Steering servo- Operates; motor does not run	Damaged motor	Test the motor apart from the vehicle system, repair/replace motor as needed
	Incorrect transmitter/ESC calibration	Adjust throttle travel/other throttle settings on the transmitter/ESC. Repeat the ESC Calibration Procedure
Steering/motor- not functioning	Low battery voltage	Recharge/replace
	Wrong model memory selected on transmitter	Select correct model settings on your transmitter, refer to transmitter and/or receiver manual
	Receiver not bound to transmitter	Bind transmitter to receiver, refer to transmitter and/or receiver manual
Vehicle- Does not operate at full speed	Battery issue	Recharge/replace
	Incorrect transmitter/ESC calibration	Adjust throttle travel/other throttle settings on the transmitter/ESC. Repeat the ESC Calibration Procedure

## LIMITED WARRANTY

### What this Warranty Covers

Horizon Hobby, LLC, (Horizon) warrants to the original purchaser that the product purchased (the "Product") will be free from defects in materials and workmanship for a period of 2 years from the date of purchase.

### What is Not Covered

This warranty is not transferable and does not cover (i) cosmetic damage, (ii) damage due to acts of God, accident, misuse, abuse, negligence, commercial use, or due to improper use, installation, operation or maintenance, (iii) modification of or to any part of the Product, (iv) attempted service by anyone other than a Horizon Hobby authorized service center, (v) Product not purchased from an authorized Horizon dealer, or (vi) Product not compliant with applicable technical regulations or (vii) use that violates any applicable laws, rules, or regulations.

OTHER THAN THE EXPRESS WARRANTY ABOVE, HORIZON MAKES NO OTHER WARRANTY OR REPRESENTATION, AND HEREBY DISCLAIMS ANY AND ALL IMPLIED WARRANTIES, INCLUDING, WITHOUT LIMITATION, THE IMPLIED WARRANTIES OF NON-INFRINGEMENT, MERCHANTABILITY AND FITNESS FOR A PARTICULAR PURPOSE. THE PURCHASER ACKNOWLEDGES THAT THEY ALONE HAVE DETERMINED THAT THE PRODUCT WILL SUITABLY MEET THE REQUIREMENTS OF THE PURCHASER'S INTENDED USE.

### Purchaser's Remedy

Horizon's sole obligation and purchaser's sole and exclusive remedy shall be that Horizon will, at its option, either (i) service, or (ii) replace, any Product determined by Horizon to be defective. Horizon reserves the right to inspect any and all Product(s) involved in a warranty claim. Service or replacement decisions are at the sole discretion of Horizon. Proof of purchase is required for all warranty claims. SERVICE OR REPLACEMENT AS PROVIDED UNDER THIS WARRANTY IS THE PURCHASER'S SOLE AND EXCLUSIVE REMEDY.

### Limitation of Liability

HORIZON SHALL NOT BE LIABLE FOR SPECIAL, INDIRECT, INCIDENTAL OR CONSEQUENTIAL DAMAGES, LOSS OF PROFITS OR PRODUCTION OR COMMERCIAL LOSS IN ANY WAY, REGARDLESS OF WHETHER SUCH CLAIM IS BASED IN CONTRACT, WARRANTY, TORT, NEGLIGENCE, STRICT LIABILITY OR ANY OTHER THEORY OF LIABILITY, EVEN IF HORIZON HAS BEEN ADVISED OF THE POSSIBILITY OF SUCH DAMAGES. Further, in no event shall the liability of Horizon exceed the individual price of the Product on which liability is asserted. As Horizon has no control over use, setup, final assembly, modification or misuse, no liability shall be assumed nor accepted for any resulting damage or injury. By the act of use, setup or assembly, the user accepts all resulting liability. If you as the purchaser or user are not prepared to accept the liability associated with the use of the Product, purchaser is advised to return the Product immediately in new and unused condition to the place of purchase.

### Law

These terms are governed by Illinois law (without regard to conflict of law principals). This warranty gives you specific legal rights, and you may also have other rights which vary from state to state. Horizon reserves the right to change or modify this warranty at any time without notice.

### WARRANTY SERVICES

#### Questions, Assistance, and Services

Your local hobby store and/or place of purchase cannot provide warranty support or service. Once assembly, setup or use of the Product has been started, you must contact your local distributor or Horizon directly. This will enable Horizon to better answer your questions and service you in the event that you may need any assistance. For questions

or assistance, please visit our website at [www.horizonhobby.com](http://www.horizonhobby.com), submit a Product Support Inquiry, or call the toll free telephone number referenced in the Warranty and Service Contact Information section to speak with a Product Support representative.

### Inspection or Services

If this Product needs to be inspected or serviced and is compliant in the country you live and use the Product in, please use the Horizon Online Service Request submission process found on our website or call Horizon to obtain a Return Merchandise Authorization (RMA) number. Pack the Product securely using a shipping carton. Please note that original boxes may be included, but are not designed to withstand the rigors of shipping without additional protection. Ship via a carrier that provides tracking and insurance for lost or damaged parcels, as Horizon is not responsible for merchandise until it arrives and is accepted at our facility. An Online Service Request is available at [http://www.horizonhobby.com/content/service-center\\_render-service-center](http://www.horizonhobby.com/content/service-center_render-service-center). If you do not have internet access, please contact Horizon Product Support to obtain a RMA number along with instructions for submitting your product for service. When calling Horizon, you will be asked to provide your complete name, street address, email address and phone number where you can be reached during business hours. When sending product into Horizon, please include your RMA number, a list of the included items, and a brief summary of the problem. A copy of your original sales receipt must be included for warranty consideration. Be sure your name, address, and RMA number are clearly written on the outside of the shipping carton.

**NOTICE:** Do not ship Li-Po batteries to Horizon. If you have any issue with a Li-Po battery, please contact the appropriate Horizon Product Support office.

### Warranty Requirements

For Warranty consideration, you must include your original sales receipt verifying the proof-of-purchase date. Provided warranty conditions have been met, your Product will be serviced or replaced free of charge. Service or replacement decisions are at the sole discretion of Horizon.

### Non-Warranty Service

Should your service not be covered by warranty, service will be completed and payment will be required without notification or estimate of the expense unless the expense exceeds 50% of the retail purchase cost. By submitting the item for service you are agreeing to payment of the service without notification. Service estimates are available upon request. You must include this request with your item submitted for service. Non-warranty service estimates will be billed a minimum of 1/2 hour of labor. In addition you will be billed for return freight. Horizon accepts money orders and cashier's checks, as well as Visa, MasterCard, American Express, and Discover cards. By submitting any item to Horizon for service, you are agreeing to Horizon's Terms and Conditions found on our website [http://www.horizonhobby.com/content/service-center\\_render-service-center](http://www.horizonhobby.com/content/service-center_render-service-center).

**ATTENTION:** Horizon service is limited to Product compliant in the country of use and ownership. If received, a non-compliant Product will not be serviced. Further, the sender will be responsible for arranging return shipment of the un-serviced Product, through a carrier of the sender's choice and at the sender's expense. Horizon will hold non-compliant Product for a period of 60 days from notification, after which it will be discarded.

10/15

## WARRANTY AND SERVICE CONTACT INFORMATION

COUNTRY OF PURCHASE	HORIZON HOBBY	CONTACT INFORMATION	ADDRESS
United States of America	Horizon Service Center (Repairs and Repair Requests)	<a href="http://servicecenter.horizonhobby.com/RequestForm/">servicecenter.horizonhobby.com/RequestForm/</a>	2904 Research Rd Champaign, IL 61822
	Horizon Product Support (Product Technical Assistance)	<a href="mailto:productsupport@horizonhobby.com">productsupport@horizonhobby.com</a> 877-504-0233	
	Sales	<a href="mailto:websales@horizonhobby.com">websales@horizonhobby.com</a> 800-338-4639	
European Union	Horizon Technischer Service Sales: Horizon Hobby GmbH	<a href="mailto:service@horizonhobby.eu">service@horizonhobby.eu</a> +49 (0) 4121 2655 100	Hanskampring 9 D 22885 Barsbüttel, Germany

## FCC INFORMATION

FCC ID: BRWKATY1T

FCC ID: BRWWACO1T

### SUPPLIER'S DECLARATION OF CONFORMITY

#### Axial SCX10 III Jeep CJ7 RTR (AXI03008)

**FC** This device complies with part 15 of the FCC Rules. Operation is subject to the following two conditions: (1) This device may not cause harmful interference, and (2) this device must accept any interference received, including interference that may cause undesired operation.

**CAUTION:** changes or modifications not expressly approved by the party responsible for compliance could void the user's authority to operate the equipment.

**NOTE:** This equipment has been tested and found to comply with the limits for a Class B digital device, pursuant to part 15 of the FCC Rules. These limits are designed to provide reasonable protection against harmful interference in a residential installation. This equipment generates, uses and can radiate radio frequency energy and, if not installed and used in accordance with the instructions, may cause

harmful interference to radio communications. However, there is no guarantee that interference will not occur in a particular installation. If this equipment does cause harmful interference to radio or television reception, which can be determined by turning the equipment off and on, the user is encouraged to try to correct the interference by one or more of the following measures:

- Reorient or relocate the receiving antenna.
- Increase the separation between the equipment and receiver.
- Connect the equipment into an outlet on a circuit different from that to which the receiver is connected.
- Consult the dealer or an experienced radio/TV technician for help.

Horizon Hobby, LLC  
2904 Research Rd.,  
Champaign, IL 61822  
Email: [compliance@horizonhobby.com](mailto:compliance@horizonhobby.com)  
Web: [HorizonHobby.com](http://HorizonHobby.com)

## IC INFORMATION

### CAN ICES-3 (B)/NMB-3(B)

IC: 6157A-KATY1T

IC: 6157A-WACO1T

This device contains license-exempt transmitter(s)/receivers(s) that comply with Innovation, Science, and Economic Development Canada's license-exempt RSS(s). Operation is subject to the following 2 conditions:

1. This device may not cause interference.
2. This device must accept any interference, including interference that may cause undesired operation of the device.

## COMPLIANCE INFORMATION FOR THE EUROPEAN UNION

### CE EU COMPLIANCE STATEMENT:

#### Axial SCX10 III Jeep CJ-7 RTR (AXI03008)

Hereby, Horizon Hobby, LLC declares that the device is in compliance with the following: EU Radio Equipment Directive 2014/53/EU; RoHS 2 Directive 2011/65/EU; RoHS 3 Directive - Amending 2011/65/EU Annex II 2015/863.

The full text of the EU declaration of conformity is available at the following internet address: <https://www.horizonhobby.com/content/support-render-compliance>.

#### Wireless Frequency Range and Wireless Output Power

##### Transmitter

2402.0 - 2478.0 MHz  
17.7 dBm

##### Receiver

2402-2478 MHz  
3 dBm

#### EU Manufacturer of Record:

Horizon Hobby, LLC  
2904 Research Road  
Champaign, IL 61822 USA

#### EU Importer of Record:

Horizon Hobby, GmbH  
Hanskampring 9  
22885 Barsbüttel Germany

#### WEEE NOTICE:



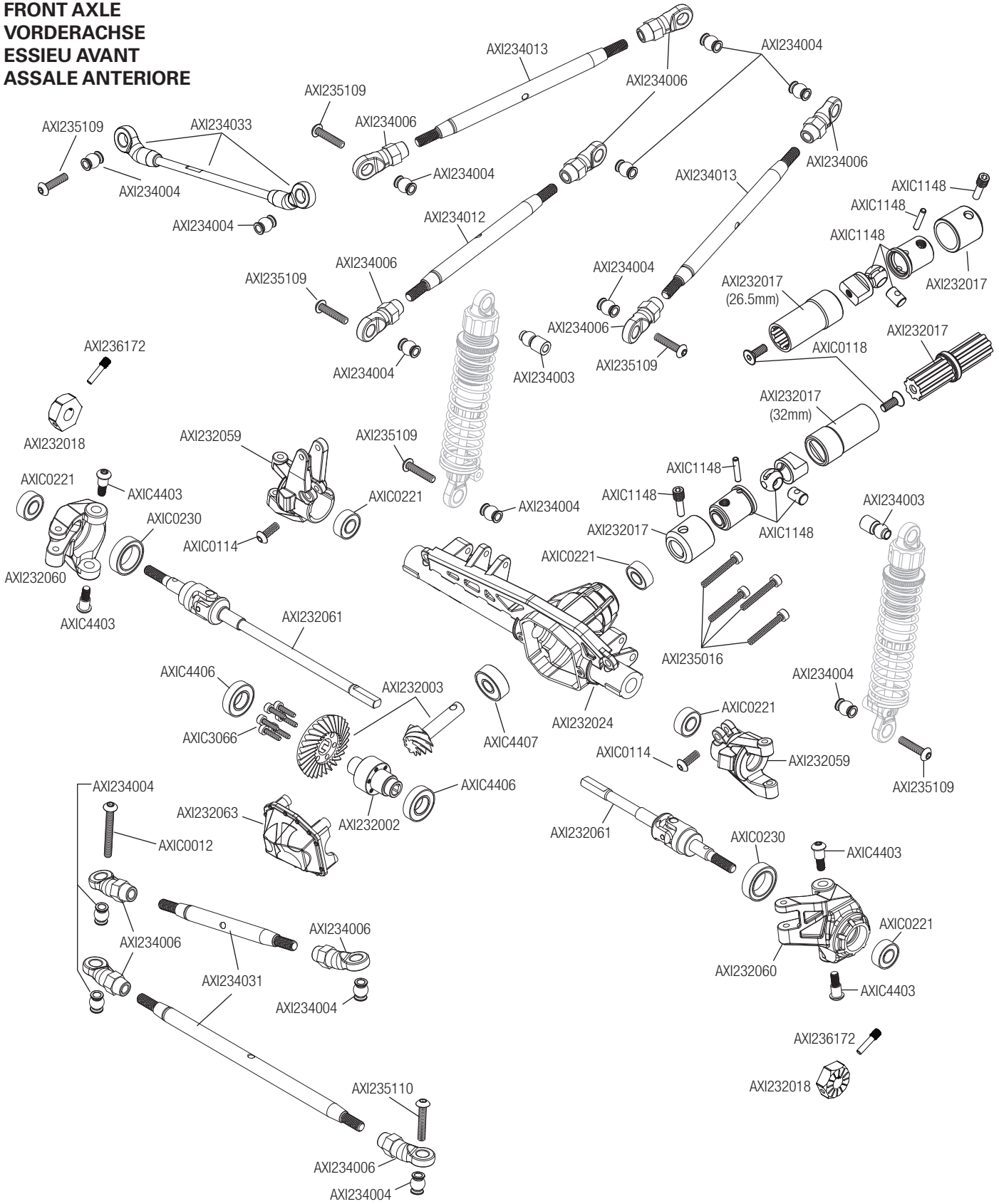
This appliance is labeled in accordance with European Directive 2012/19/EU concerning waste of electrical and electronic equipment (WEEE). This label indicates that this product should not be disposed of with household waste. It should be deposited at an appropriate facility to enable recovery and recycling.





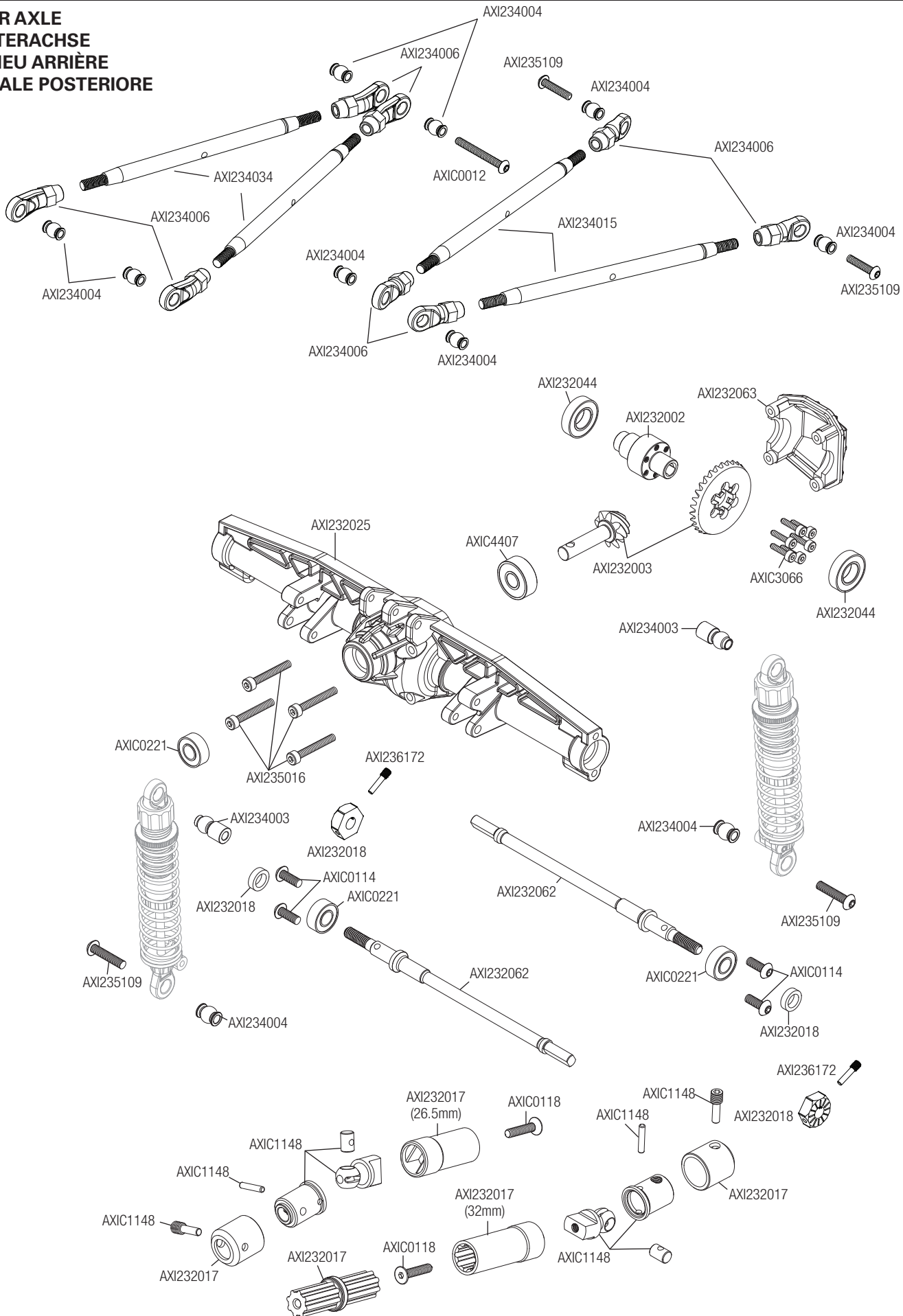
## EXPLODED VIEWS // EXPLOSIONSZEICHNUNGEN // VUES ÉCLATÉES // VISTE ESPLOSE

### FRONT AXLE VORDERACHSE ESSIEU AVANT ASSALE ANTERIORE



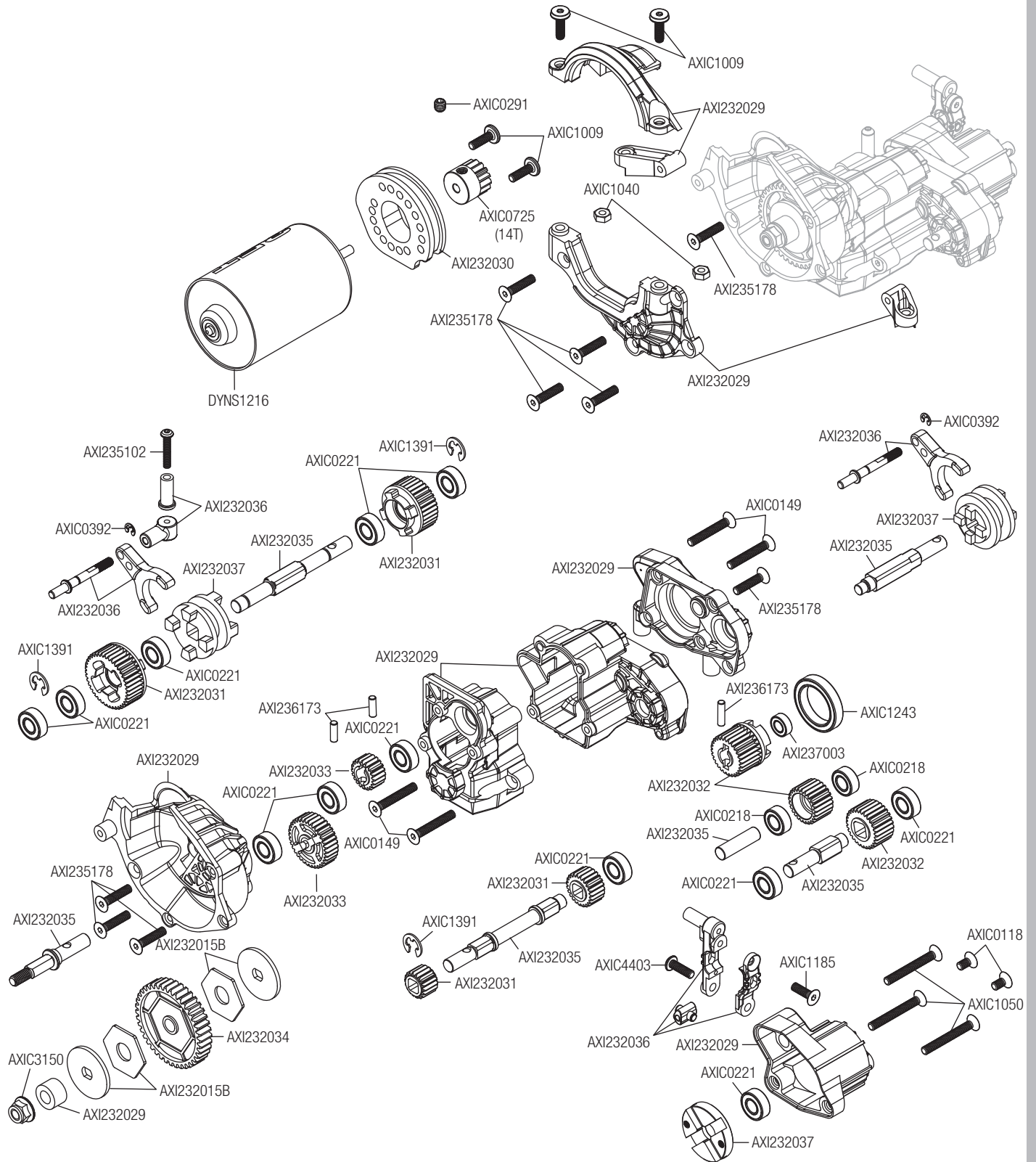
## EXPLODED VIEWS // EXPLOSIONSZEICHNUNGEN // VUES ÉCLATÉES // VISTE ESPLOSE

**REAR AXLE  
HINTERACHSE  
ESSIEU ARRIÈRE  
ASSALE POSTERIORE**



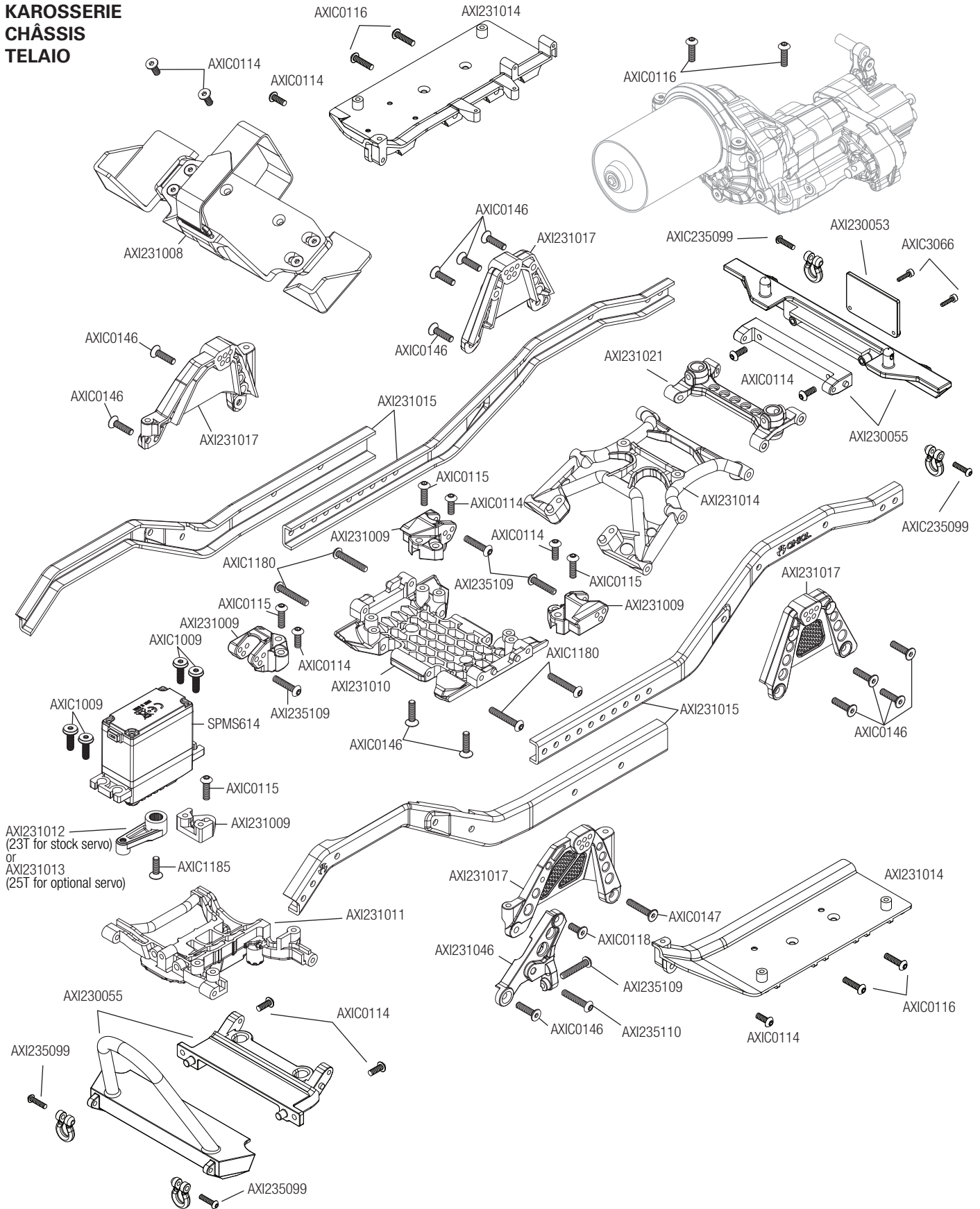
**EXPLODED VIEWS // EXPLOSIONSZEICHNUNGEN // VUES ÉCLATÉES // VISTE ESPLOSE**

**TRANSMISSION  
GETRIEBE  
TRANSMISSION  
TRASMISSIONE**



## EXPLODED VIEWS // EXPLOSIONSZEICHNUNGEN // VUES ÉCLATÉES // VISTE ESPLOSE

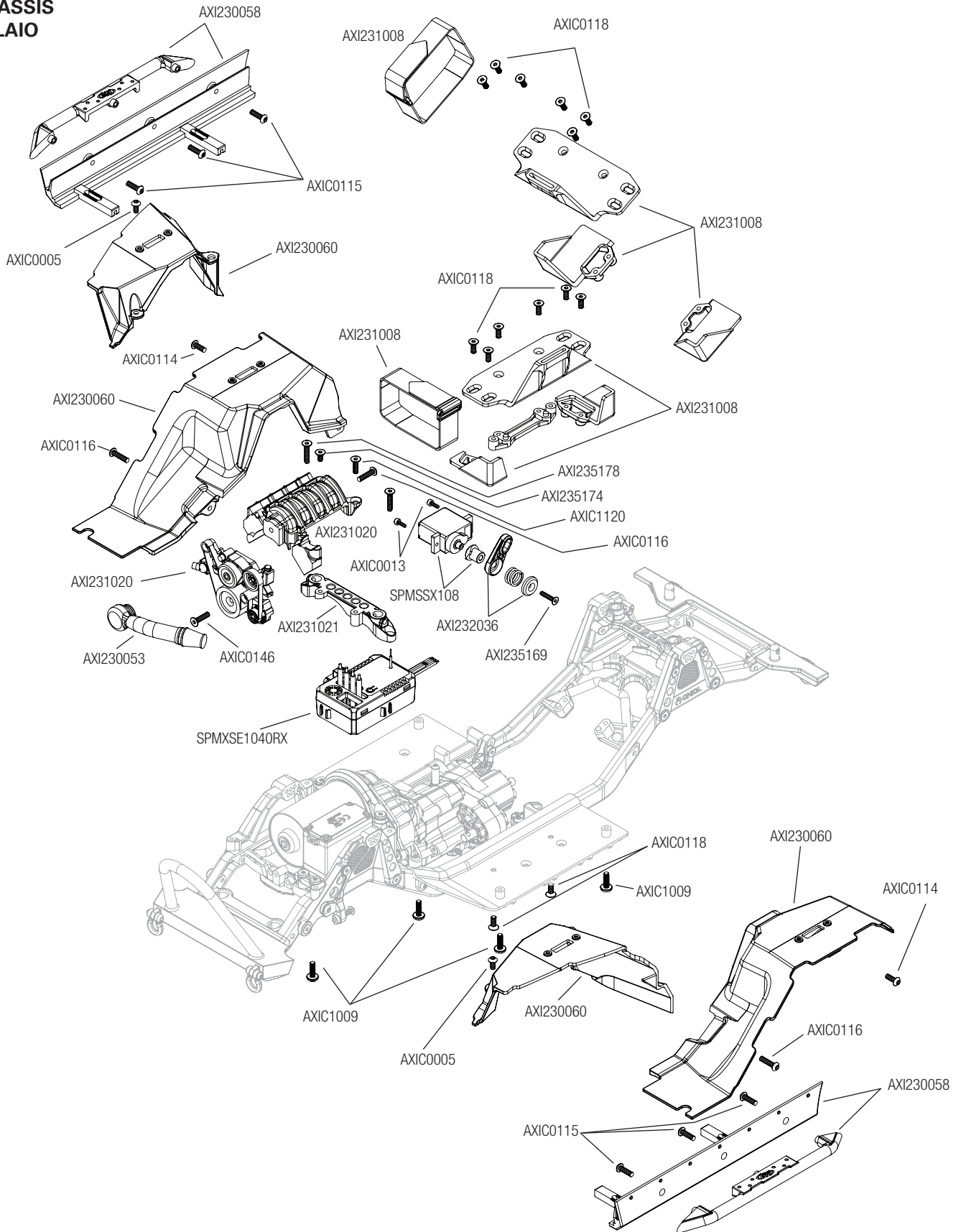
### CHASSIS KAROSSERIE CHÂSSIS TELAIO





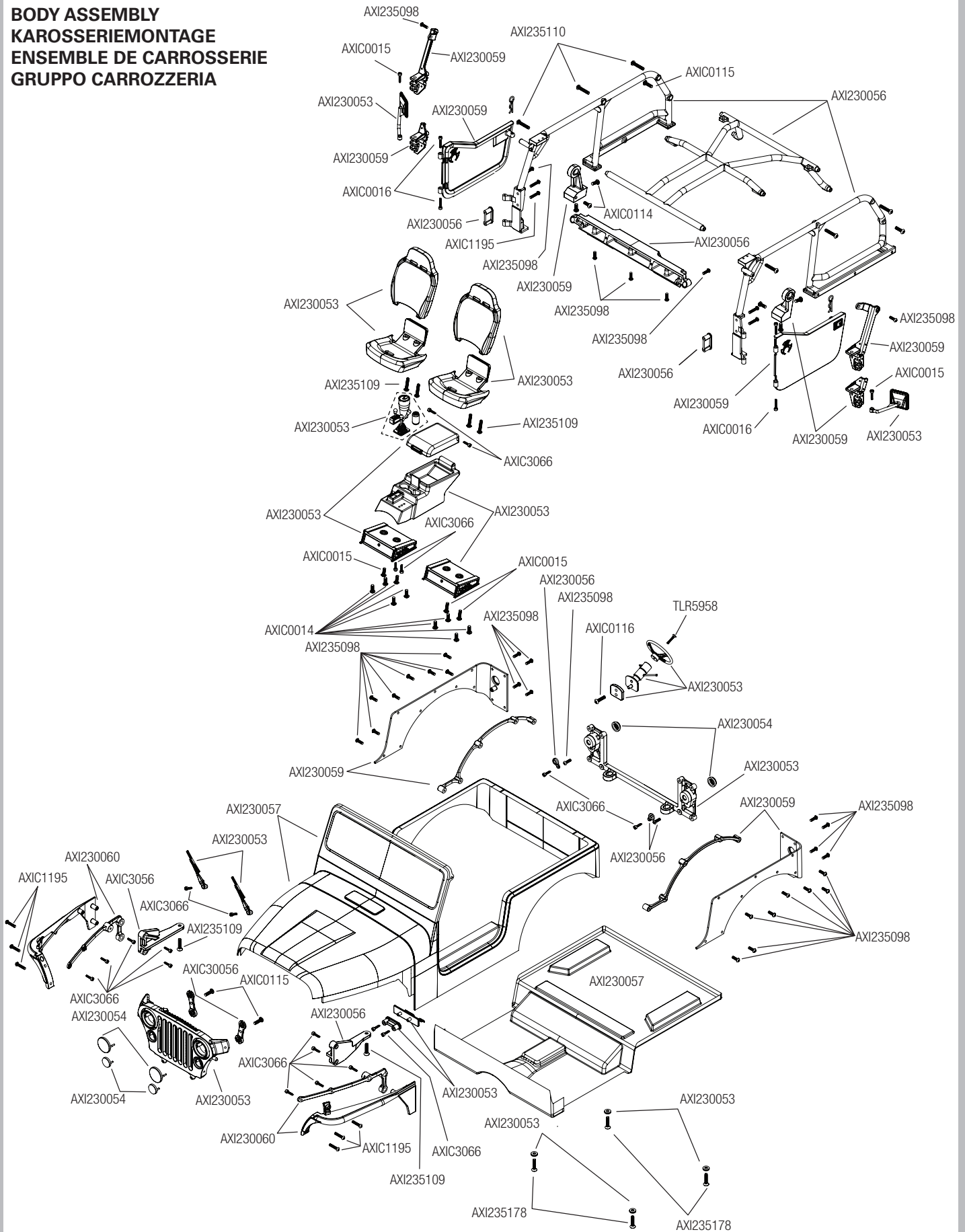
EXPLODED VIEWS // EXPLOSIONSZEICHNUNGEN // VUES ÉCLATÉES // VISTE ESPLOSE

CHASSIS  
KAROSSERIE  
CHÂSSIS  
TELAIO



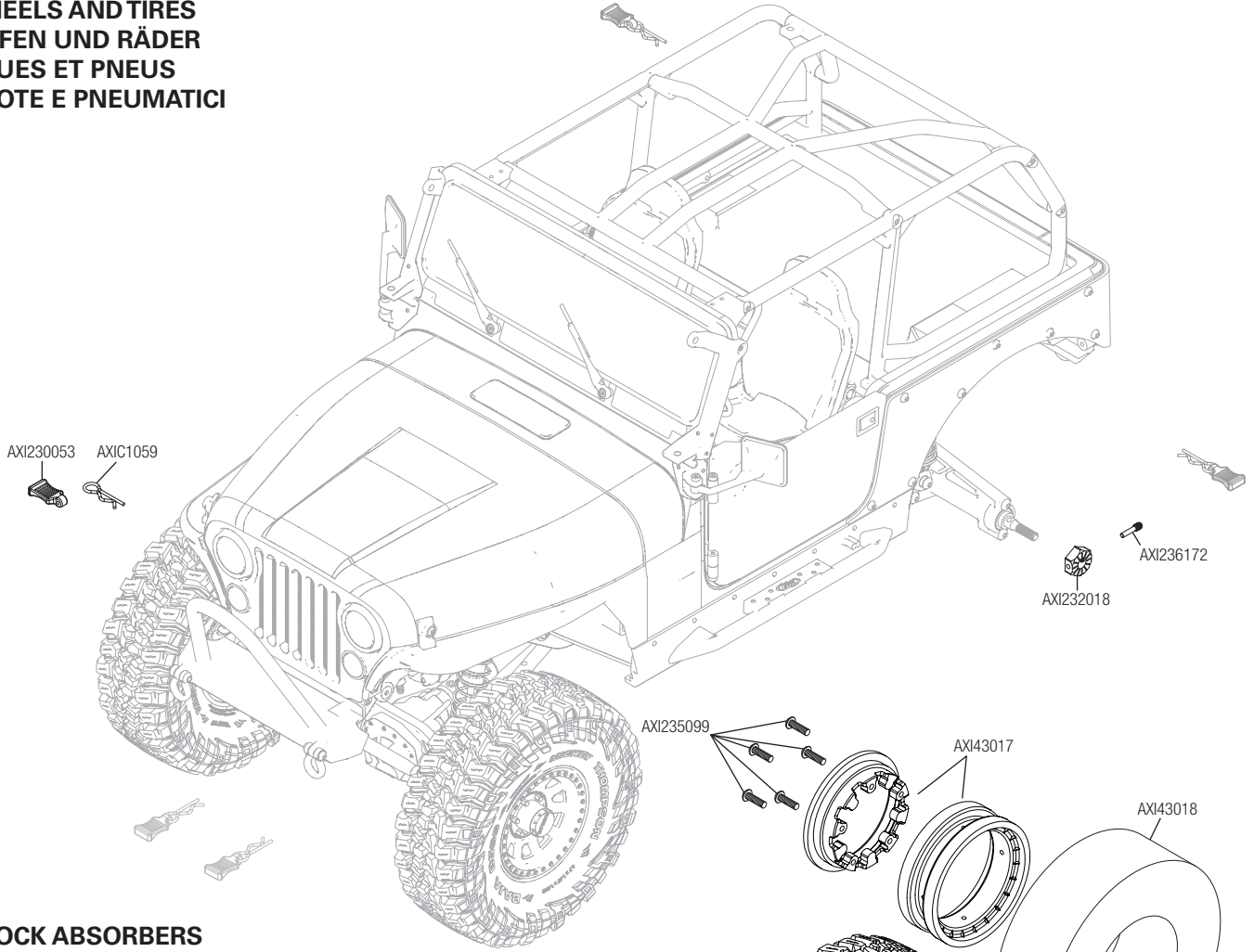
**EXPLODED VIEWS // EXPLOSIONSZEICHNUNGEN // VUES ÉCLATÉES // VISTE ESPLOSE**

**BODY ASSEMBLY  
KAROSSERIEMONTAGE  
ENSEMBLE DE CARROSSERIE  
GRUPPO CARROZZERIA**

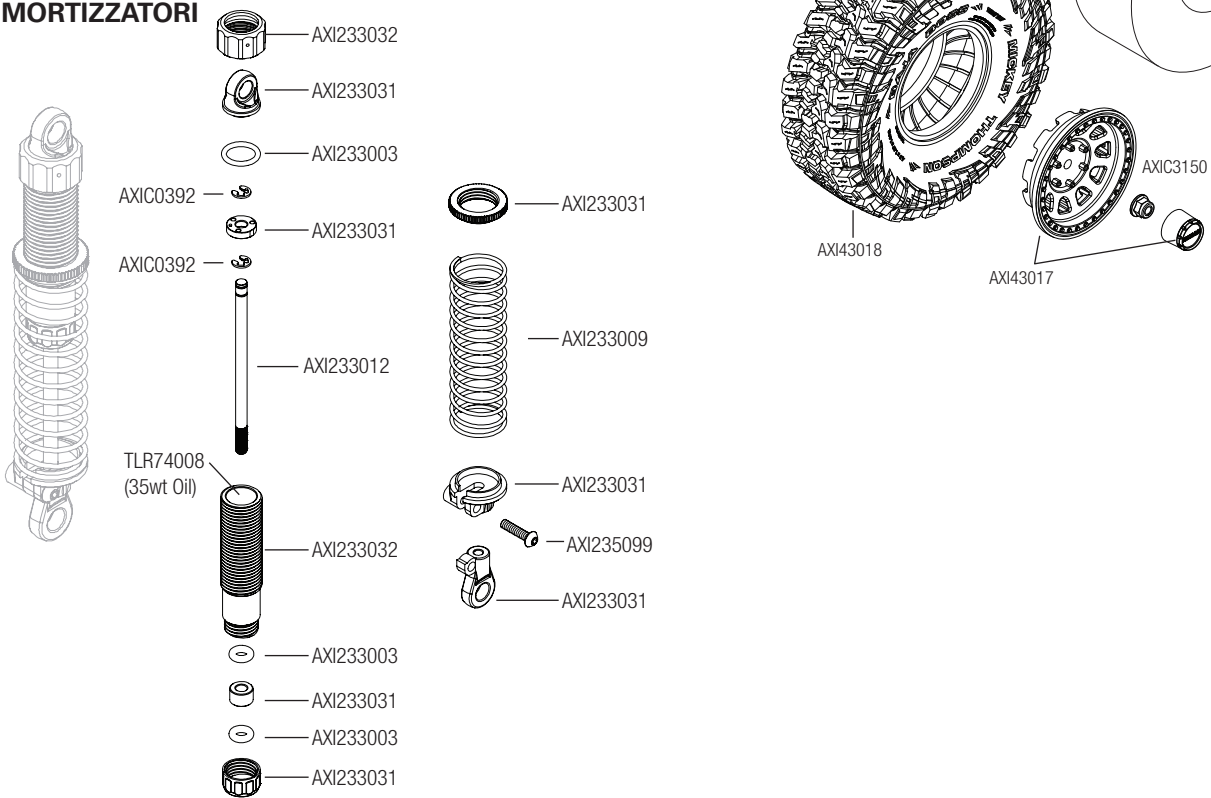


**EXPLODED VIEWS // EXPLOSIONSZEICHNUNGEN // VUES ÉCLATÉES // VISTE ESPLOSE**

**WHEELS AND TIRES  
REIFEN UND RÄDER  
ROUES ET PNEUS  
RUOTE E PNEUMATICI**



**SHOCK ABSORBERS  
STOSSDÄMPFER  
AMORTISSEURS  
AMMORTIZZATORI**



**PARTS LISTS // TEILELISTEN // LISTE DES PIÈCES // ELENCO COMPONENTI**

Part #	Description	Beschreibung	Description	Descrizione
AXI230049	LED Light Set, White/Orange/Red, Early Bronco / Jeep CJ-7: SCX10 III	LED-Beleuchtungssatz, Weiß/Orange/Rot, früher Bronco / Jeep CJ-7: SCX10 III	Ensemble d'éclairage DEL, blanc/orange/rouge, Early Bronco / Jeep CJ-7 : SCX10 III	Set di luci a LED, bianco/arancio/rosso, primi Bronco / Jeep CJ-7: SCX10 III
AXI230053	Body Details Int/Ext CJ-7: SCX10 III	Karosserie Details Innen/Außen CJ-7: SCX10 III	Détails de carrosserie int/ext CJ-7 : SCX10 III	Dettagli sulla carrozzeria Int/Ext CJ-7: SCX10 III
AXI230054	Headlight, Taillight Lens Set CJ-7: SCX10 III	Frontscheinwerfer, Rückleuchten, Linsenset CJ-7: SCX10 III	Jeu de lentilles de phares et de feux arrière CJ-7 : SCX10 III	Set di lenti per fari e fanali posteriori CJ-7: SCX10 III
AXI230055	Bumper Set Front, Rear CJ-7: SCX10 III	Stoßstangensatz Front/Heck CJ-7: SCX10 III	Ensemble de pare-chocs avant, arrière CJ-7 : SCX10 III	Kit paraurti ant./post. CJ-7: SCX10 III
AXI230056	Cage Set, CJ-7: SCX10 III	Käfigsatz, CJ-7: SCX10 III	Ensemble cage CJ-7 : SCX10 III	Set gabbia, CJ-7: SCX10 III
AXI230057	Jeep CJ-7 Body Set, Clear: SCX10 III	Jeep CJ-7 Karosseriesatz, farblos: SCX10 III	Ensemble de carrosserie Jeep CJ-7, transparente : SCX10 III	Set scocca Jeep CJ-7, trasparen.: SCX10 III
AXI230058	Rock Slider Left, Right CJ-7: SCX10 III	Rock-Schieber Links, Rechts CJ-7: SCX10 III	Bas de caisse gauche, droite CJ-7 : SCX10 III	Gradini paratelaio sinistra, destra CJ-7: SCX10 III
AXI230059	Doors/Corners/Hinges CJ-7: SCX10 III	Türen/Ecken/Scharniere CJ-7: SCX10 III	Portes/coins/charnières CJ-7 : SCX10 III	Porte/Angoli/Cerniere CJ-7: SCX10 III
AXI230060	Front L/R and Inners Fenders, CJ-7: SCX10 III	Kotflügel vorne L/R und innen, CJ-7: SCX10 III	Ailes avant gauche/droite et intérieures, CJ-7 : SCX10 III	Parafanghi anteriori SX/DX e interni, CJ-7: SCX10 III
AXI231008	BatteryTray Set/Strap: SCX10 III	Akkualterungsätze und Riemen	Ensembles de supports de batterie avec sangle	Fascette e set supporto batteria
AXI231009	Upper Center Lnk Mnts: SCX10 III	Obere mittige Gestängehalterungen	Supports pour tringlerie centrale supérieure	Supporti braccetti centrali superiori
AXI231010	Cntr Trans Skid Plate: SCX10 III	Mittiges Getriebe-Gleitbrett	Plaque de protection pour transmission centrale	Piastra proteggi trasmissione centrale
AXI231011	Str Mnt Chassis Brace: SCX10 III	Lenkhalterung Karosseriestrebe	Support de châssis de direction	Sostegno telaio supporto sterzo
AXI231012	Servo Horn, Metal 23T: SCX10 III	Servohorn, Metall 23T	Renvoi de commande de servo, métal 23T	Squadretta servo, Metallo 23T
AXI231013	Servo Horn Metal, 25T: SCX10 III	Servo-Horn, Metall 25T: SCX10 III	Renvoi de commande de servo, métallique, 25T : SCX10 III	Squadretta servo, metallo 25T: SCX10 III
AXI231014	Side Plates & Chassis Brace: SCX10 III	Seitenplatten und Karosseriestrebe: SCX10 III	Plaques latérales et renfort de châssis : SCX10 III	Piastre laterali e bretelle telaio.: SCX10 III
AXI231015	Frame Rail Set: SCX10 III	Rahmenschienensatz	Ensemble de rails du cadre	Set guida telaio
AXI231016	Bmpr/Bdy Mnts Chs FR/RR:SCX10 II	Stoßstange/Gehäusehalterung Karosserie Front/Heck	Châssis avec supports de pare-chocs et de carrosserie AV/AR	Telaio supporti carrozzeria/ammortizzatore FR/RR
AXI231017	Shktrws&Pnhrd Mnts Fr/RRSCX10 II	Stoßdämpferbrücken und Panhard-Halterungen Front/Heck	Tours d'amortisseurs et supports Panhard AV/AR	Torre ammortizzatore e supporti Panhard FR/RR
AXI231020	Motor Cover: SCX10 III	Motorabdeckung: SCX10 III	Capot du moteur : SCX10 III	Coperchio motore: SCX10 III
AXI231021	Upper Shk Twr Braces: SCX10 III	Obere Stoßdämpferbrückenstreben	Supports de tours d'amortisseurs supérieures	Sostegni torre ammortizzatore superiori
AXI231046	Panhard Mount, Sintered Metal: SCX10 III	Panhard-Halterung, Sintermetall: SCX10 III	Montage Panhard, métal fritté : SCX10 III	Supporto Panhard, metallo sinterizzato: SCX10 III
AXI231048	Servo Mnt Brace FR: SCX10 III BC	Servohalterungsstrebe vorne: SCX10 III BC	Support Servo FR : SCX10 III BC	Bracci supporto servo ant: SCX10 III BC
AXI232002	6-Bolt Differential Locker	6-Schrauben-Differenzial-Sicherung	Blocage différentiel à 6 boulons	Blocco differenziale 6 bulloni
AXI232003	6-Bolt Heavy Duty Gear Set	6-Schrauben-Schwerlast-Zahnradatz	Ensemble d'engrenages haute résistance à 6 boulons	Set ingranaggio impieghi gravosi 6 bulloni
AXI232015B	Slipper Pads Plates: Capra 1.9	Gleitkissen-Platten: Capra 1.9	Plaques de sabots de piston : Capra 1.9	Piastre pattini scorrimento: Capra 1.9
AXI232017	Wild Boar Driveshaft Set: UTB	Wild Boar-Antriebswellensatz: UTB	Ensemble d'arbres de transmission Wild Boar : UTB	Set albero di trasmissione Wild Boar: UTB
AXI232018	12mm Hex Pin and Spacer (4): UTB	12-mm-Sechskantstift und Abstandhalter (4): UTB	Broche hexagonale 12mm et entretoise (4) : UTB	Distanziale e perno esagonale 12mm (4): UTB
AXI232024	AR45 Axl Hsng(Fr)SCX10 III	AR45 Achsgehäuse, Front	AR45 Carter d'essieu avant	AR45 Allogg assale ant
AXI232025	AR45 Axl Hsng (Rr)SCX10 III	AR45 Achsgehäuse, Heck	AR45 Carter d'essieu arrière	AR45 Allogg assale post
AXI232029	Transmission Housing Set: SCX10 III	Getriebegehäusesatz: SCX10 III	Ensemble boîte de transmission : SCX10 III	Set alloggiamento trasmissione: SCX10 III
AXI232030	Motor Mount Plate: SCX10 III	Motorhalterungsplatte: SCX10 III	Plaque support du moteur : SCX10 III	Piastra supporto motore: SCX10 III
AXI232031	Internal Metal Drive Gears: SCX10 III	Innere Metall-Antriebszahnäder: SCX10 III	Engrenages d'entraînement internes en métal : SCX10 III	Ingranaggi interni in metallo: SCX10 III
AXI232032	Transfer Case Metal Gears: SCX10 III	Transfergehäuse Metall-Zahnäder: SCX10 III	Engrenages métalliques de boîte de transfert : SCX10 III	Scatola di trasferimento Ingranaggi in metallo: SCX10 III
AXI232033	InputMtlGears 27,20,34T:SCX10 II	Metallgetriebe Eingabe 27T, 20T und 34T	Engrenages métalliques d'entrée 27T, 20T et 34T	Ingranaggi in metallo ingresso 27T, 20T e 34T
AXI232034	40T Metal Spur Gear: SCX10 III	40T Metall-Stirnrad: SCX10 III	Roue droite cylindrique en métal 40T : SCX10 III	Corona metallo 40T: SCX10 III
AXI232035	Transmission Shaft Set: SCX10 III	Getriebewellensatz: SCX10 III	Ensemble arbre de transmission : SCX10 III	Set albero trasmissione: SCX10 III
AXI232036	Dig 2-Speed Arm & Shaft Set: SCX10 III	2-Geschwindigkeiten Dig-Querlenker- und Wellensatz: SCX10 III	Ensemble bras et arbre Dig 2 vitesses : SCX10 III	Set braccio e albero a 2 velocità Dig: SCX10 III



Part #	Description	Beschreibung	Description	Descrizione
AXI232037	Cog Set & Plate for Dig 2-Speed: SCX10 III	Cog-Satz und -Platte für Dig 2-Geschwindigkeiten: SCX10 III	Jeu de pignons et plateau pour Dig 2 vitesses : SCX10 III	Set di pignoni e piastra per Dig a 2 velocità: SCX10 III
AXI232044	AR45P AR45 Differential Covers, Black: SCX10 III	AR45P AR45 Differentialabdeckungen, schwarz: SCX10 III	Couvercles de différentiels AR45P AR45, noirs : SCX10 III	Copri differenziale AR45P AR45, nero: SCX10 III
AXI232059	AR45 C-Hub (L-R): SCX10 III	AR45 C-Hub	AR45 Moyeu de support	AR45 Supporto mozzo
AXI232060	AR45 Knuckle (L-R): SCX10 III	AR45 Lenkrolle	AR45 Rotule de direction	AR45 Fuso a snodo
AXI232061	AR45 Unvrsl Axles (2): SCX10 III	AR45 Universalachsensatz	AR45 Ensemble d'essieux universels	AR45 Set assale univ
AXI232062	AR45 Strght Axles (2): SCX10 III	AR45 Gerade Achse (2)	AR45 Essieu droit (2)	AR45 Assale dritto (2)
AXI233003	Shock O-Ring Set: UTB	O-Ring-Satz für den Stoßdämpfer: UTB	Ensemble de joints toriques d'amortisseur : UTB	Set O-Ring ammortizzatore: UTB
AXI233009	Spring 13x70mm 2.0 lbs/in Ylw(2)	Feder 13 x 70 mm 2 lbs/in Gelb (2)	Ressort 13 x 70 mm 2 lb/po jaune (2)	Molla 13 x 70 mm 2 lbs/in Giallo (2)
AXI233031	Shock Part Composite:SCX10 III BC	Stoßdämpferteile, gegossen	Pièces de l'amortisseur moulées	Parti ammortizzatore stampate
AXI233032	Alum Shck Bdy11x39.5:SCX10 III BC	Gewinde-Stoßdämpfergehäuse Alum 11 x 39,5 mm	Corps d'amortisseur fileté aluminium 11 x 39,5 mm	Scocca ammortizzatore filettata in alluminio 11x39,5 mm
AXI234003	Pvt Ball,Stainless12.75mm(4):UTB	Kugelzapfen, Edelstahl 12,75 mm (4): UTB	Rotule, acier inoxydable 12,75mm (4) : UTB	Pivot ball, inossidabile, 12,75mm (4): UTB
AXI234004	Susp Pvt Ball, Stainless 7.5mm	Kugelzapfen für Federung, Edelstahl 7,5 mm	Rotule de suspension, acier inoxydable 7,5mm	Pivot ball sospensioni, indossabile, 7,5mm
AXI234006	HD Rod Ends M4 20pcs: UTB	Schwerlast-Stangenköpfe M4 (20): UTB	Embouts de bielle haute résistance M4 (20) : UTB	Teste a snodo per impiego gravoso M4 (20): UTB
AXI234012	Stainless Steel M6x 88mm Link (2): SCX10 III	Edelstahlglied M6 x 88 mm (2): SCX10 III	Liaison en acier inoxydable M6 x 88 mm (2) : SCX10 III	Braccetti in acciaio inossidabile M6x88 mm (2) SCX10 III
AXI234013	Stainless Steel M6x 97mm Link (2): SCX10 III	Edelstahlglied M6 x 97 mm (2): SCX10 III	Liaison en acier inoxydable M6 x 97 mm (2) : SCX10 III	Braccetti in acciaio inossidabile M6x97 mm (2) SCX10 III
AXI234015	Stainless Steel M6x 117mm Link (2): SCX10 III	Edelstahlglied M6 x 117 mm (2): SCX10 III	Liaison en acier inoxydable M6 x 117 mm (2) : SCX10 III	Braccetti in acciaio inossidabile M6x117 mm (2) SCX10 III
AXI234031	Steering Links Stainless Steel: SCX10 III Std Axle	Spurstangen, Edelstahl: SCX10 III Std Achse	Tringleries de direction en acier inoxydable : SCX10 III Essieu standard	Braccetti in acciaio inossidabile sterzo: Assale SCX10 III Std
AXI234033	Panhard Bar and Links, Standard: SCX10 III	Panhardstab und Stangen, Standard: SCX10 III	Barre Panhard et tringleries, standard : SCX10 III	Barra Panhard e collegamenti, standard: SCX10 III
AXI234034	Stainless Steel Links, M6 x 105mm (2): SCX10 III	Edelstahlglieder M6 x 105 mm (2): SCX10 III	Liaisons en acier inoxydable, M6 x 105 mm (2) : SCX10 III	Braccetti in acciaio inossidabile M6x105 mm (2): SCX10 III
AXI235016	M2.5 x 16mm Cap Head Screw (10)	M2,5 x 16 mm, Inbusschraube (10)	Vis d'assemblage creuse, M2,5 x 16 mm (10)	Viti testa cilindrica M2,5x16 mm (10)
AXI235098	M2.5 x 8mm Button Head Screw (10)	M2,5 x 8mm Rundkopfschrauben (10)	Vis à tête bombée M2,5 x 8 mm (10)	Viti testa tonda M2.5x8 mm (10)
AXI235099	M2.5 x 10mm Button Head Screw (10)	M2,5 x 10mm Rundkopfschrauben (10)	Vis à tête bombée M2,5 x 10 mm (10)	Viti testa tonda M2.5x10 mm (10)
AXI235102	M2.5 x 18mm Button Head Screw (10)	M2,5 x 18mm Rundkopfschrauben (10)	Vis à tête bombée M2,5 x 18 mm (10)	Viti testa tonda M2.5x18 mm (10)
AXI235109	M3 x 14mm Button Head Screw (10)	M3 x 14 mm, Rundkopfschraube (10)	Vis à tête bombée M3 x 14 mm (10)	Vite a testa tonda M3 x 14 mm (10)
AXI235110	M3 x 16mm Button Head Screw (10)	M3 x 16 mm, Rundkopfschraube (10)	Vis à tête bombée M3 x 16 mm (10)	Vite a testa tonda M3 x 16 mm (10)
AXI235169	M2.5 x 12mm Flat Head Screw (10)	M2,5 x 12 mm Flachkopfschraube (10)	Vis à tête plate M2,5 x 12 mm (10)	Viti testa piatta M2.5x12 mm (10)
AXI235174	M3 x 6mm Flat Head Screw (10)	M3 x 6 mm, Flachkopfschraube (10)	Vis à tête plate M3 x 6 mm (10)	Vite a testa piatta M3 x 6 mm (10)
AXI235178	M3 x 14mm Flat Head Screw (10)	M3 x 14 mm, Flachkopfschraube (10)	Vis à tête plate M3 x 14 mm (10)	Vite a testa piatta M3 x 14 mm (10)
AXI236172	Screw Shaft M3 x 2.0 x 12mm	Schraube Welle M3 x 2.0 x 12mm	Tige de vis M3 x 2,0 x 12 mm	Albero a vite M3 x 2,0 x 12 mm
AXI236173	M2.5 x 8mm Pins (6)	M2,5 x 8 mm, Stifte (6)	Broches M2,5 x 8 mm (6)	Perni M2.5 x 8 mm (6)
AXI237003	4mm x 8mm x 3mm Ball Bearing (2)	4 mm x 8 mm x 3 mm Kugellager (2)	Roulement à billes 4 x 8 x 3 mm (2)	Cuscinetti sfera 4x8x3 mm (2)
AXI43017	1.9 Raceline Daytona Beadlock Wheels, Black (2)	1.9 Raceline Daytona Beadlock-Räder, schwarz (2)	Roues 1,9 à verrou de talon Raceline Daytona, noires (2)	1.9 Cerchi Raceline Daytona Beadlock, neri (2)
AXI43018	1.9 Mickey Thompson Baja Boss M/T 4.7 R35 Tires(2)	1.9 Mickey Thompson Baja Boss M/T 4.7 R35-Reifen(2)	Pneus 1,9 Mickey Thompson Baja Boss M/T 4,7 R35 (2)	1.9 Pneumatici Mickey Thompson Baja Boss M/T 4.7 R35(2)
AXIC0005	AXA113 Hex Socket Btn Hd M3x6	AXA0113 Innensechskantschraube, Rundkopf, M3 x 6 mm	AXA0113 Douille hexagonale à tête bombée M3 x 6 mm	AXA0113 Vite cil esag inc M3x6 mm
AXIC0012	AXA120 Hex Socket Btn Hd M3x25	AXA120 Innensechskantschraube, Rundkopf, M3 x 25	AXA120 Douille hexagonale à tête bombée M3 x 25	AXA120 Vite cil esag inc M3x25
AXIC0013	AXA013 Cap Hd M2x6mm Blk Oxide	AXA013 Kappenkopf M2 x 6 mm, Schwarz, Oxid	AXA013 Vis d'assemblage creuse M2x6mm brunie	AXA013 Viti testa tonda M2x6 mm nero ossido
AXIC0015	AXA015 Cap Hd M2x10mm Blk Oxid	AXA013 Kappenkopf M2 x 10 mm, Schwarz, Oxid	AXA013 Vis d'assemblage creuse M2x10mm brunie	AXA013 Viti testa tonda M2x10 mm nero ossido

Part #	Description	Beschreibung	Description	Descrizione
AXIC0114	AXA114 Hex Skt Butn Hd M3x8mm	AXA114 Innensechskantschraube, Rundkopf, M3 x 8 mm	AXA114 Douille hexagonale à tête bombée M3 x 8 mm	AXA114 Vite cil esag inc M3x8 mm
AXIC0115	AXA115 Hex Skt Butn Head M3x10	AXA115 Innensechskantschraube, Rundkopf, M3 x 10 mm	AXA115 Douille hexagonale à tête bombée M3 x 10	AXA115 Vite cil esag inc M3x10 mm
AXIC0116	AXA116 Hex Skt Butn Hd M3x12mm	AXA116 Innensechskantschraube, Rundkopf, M3 x 12 mm	AXA116 Douille hexagonale à tête bombée M3 x 12 mm	AXA116 Vite cil esag inc M3x12 mm
AXIC0118	AXA144 Hex Flt Hd M3x8mm Blk10	AXA144 Innensechskantschraube, Flachkopf M3 x 8 mm Schwarz 10	AXA144 Douille hexagonale à tête plate M3 x 8 mm noire 10	AXA144 Vite piatta esag M3x8 mm nero (10)
AXIC0146	AXA146 Hex Skt Flat Hd M3x12mm	AXA146 Innensechskantschraube, Flachkopf, M3 x 12 mm	AXA146 Douille hexagonale à tête plate M3 x 12 mm	AXA146 Vite piatta esag inc M3x12 mm
AXIC0147	AXA0147 Hex Skt Flt Hd M3x16mm	AXA0147 Innensechskantschraube, Flachkopf, M3 x 16 mm	AXA0147 Douille hexagonale à tête plate M3 x 16 mm	AXA147 Vite cil esag inc M3x16 mm
AXIC0149	AXA149 Hex Skt Flat Hd M3x20mm	AXA0149 Innensechskantschraube, Flachkopf, M3 x 20 mm	AXA0149 Douille hexagonale à tête plate M3 x 20 mm	AXA149 Vite cil esag inc M3x20 mm
AXIC0218	AXA1218 Bearing 5x10x4mm	AXA1218 Lager 5 x 10 x 4 mm	AXA1218 Roulement 5 x 10 x 4 mm	AXA1218 Cuscinetto 5x10x4 mm
AXIC0221	AXA1221 Bearing 5x11x4mm	AXA1221 Lager 5 x 11 x 4 mm	AXA1221 Roulement 5 x 11 x 4 mm	AXA1221 Cuscinetto 5x11x4 mm
AXIC0230	AXA1230 Bearing 10x15x4mm	AXA1230 Lager 10 x 15 x 4 mm	AXA1230 Roulement 10 x 15 x 4 mm	AXA1230 Cuscinetto 10 x 15 x 4 mm
AXIC0291	AXA291 Set Scr M4x4mm Blk Ox(6	AXA291 Schraubensatz M4 x 4 mm, Schwarz, Oxid	AXA291 Vis de fixation M4 x 4 mm brunie	AXA291 Grano M4 x 4 mm nero ossido
AXIC0392	AXA1392 E-clip E2 (10)	E-Clip E2 (10)	E-Clip, E2 (10)	E-Clip, E2 (10)
AXIC0725	AX30725 Pinion Gear 32p 14t	Ritzel 32P 14T Stahl	Pignon 32P 14T en acier	Pignone 32P 14T acciaio
AXIC1009	AXA0109 Hex Skt Oversize M3x10mm	AXA0109 Innensechskantschraube, Übergröße, M3 x 10 mm	AXA0109 Douille hexagonale surdimensionnée M3 x 10 mm	AXA0109 Viti oversize esag inc M3x10 mm
AXIC1050	AXA150 Hex Skt Flt Hd M3x25mm (10)	Sechskant-Flachkopfschraube, M3 x 25mm (10)	Douille à six pans à tête plate M3 x 25mm (10)	Vite a testa piana esagonale M3 x 25mm (10)
AXIC1059	AXA1059 Body Clip 6mm Black(10)	AXA1059 Karosserieklemmen 6 mm (10)	AXA1059 Clips de carrosserie 6 mm (10)	AXA1059 Clip carrozzeria 6 mm (10)
AXIC1120	AX31120 Hex Skt Flat 3x10mm(10)	Sechskant-Flachkopfschraube, M3 x 10mm (10)	Douille à six pans à tête plate M3 x 10mm (10)	Vite a testa piana esagonale M3 x 10mm (10)
AXIC1148	AX31148 Wb8-hd Drvshft Coupler	WB8-HD Antriebswelle Koppler-Satz	Ensemble de coupleur d'arbre de transmission WB8-HD	Set accoppiatore dell'albero di trasmissione WB8-HD
AXIC1180	AXA118 Hex Socket BtnHd M3x18mm(10)	Sechskant-Rundkopfschraube, M3 x 18mm	Douille à six pans à tête bombée M3 x 18mm	Vite a testa tonda con esagono incassato M3 x 18mm
AXIC1243	AXA1243 Bearing 15x21x4mm (2)	Lager 15mm x 21mm x 4mm	Roulement 15mm x 21mm x 4mm	Cuscinetto 15mm x 21mm x 4mm
AXIC1391	AXA1391 E-Clip E4 (10)	E-Clip, 4mm	E-Clip, 4mm	E-Clip, 4mm
AXIC3066	AX31066 Cap Hd M2x8mm Blk (10)	Inbusschraube M2 x 8mm, schwarz (10)	Vis d'assemblage creuse M2 x 8mm noire (10)	Vite a testa cilindrica M2 x 8mm nero (10)
AXIC3150	AX31250 Ser Nyl Nut Blk 4mm(10)	Feststellkontermutter mit Flansch M4 (10)	Contre-écrou à embase M4 strié (10)	Controdado flangiato dentellato M4 (10)
AXIC4403	AX31403 BttN Hd Scrw M3x4x10mm (6)	Rundkopfschraube, M3x4x10mm (10)	Vis à tête bombée, M3x4x10mm (10)	Vite a testa tonda M3x4x10mm (10)
AXIC4406	AX31406 Bearing 7x14x3.5mm (2)	Lager 7x14x3,5mm	Roulement 7x14x3,5mm	7x14x3,5mm
AXIC4407	AX31407 Bearing 5x14x5mm (2)	Lager 5x14x5mm	Roulement 5x14x5mm	7x14x3,5mm
SPM2340	DX3 SMART DSMR 3CH TX w/SR315	DX3 SMART 3CH Sender	DX3 Smart 3CH Émetteur	DX3 Smart 3CH Trasmettitore
SPMS614	S614 Metal Gear Servo 23T WP	SS614 Stahlgetriebeservo 23T WP	Servo étanche à engrenages métalliques S614	S614, servo ingr metallo imp, 23T
DYNS1216	35-Turn 540 Brushed Motor	540-Bürstenmotor mit 35 Turns	Moteur à balais 35-Turn 540	Motore a spazzole 35T 540
SPMXSE1040RX	Firma 40A Brushed Smart 2-in-1 ESC and Receiver	Firma 40A gebürsteter Smart 2-in-1 Geschwindigkeitsregler und-Empfänger	Récepteur et variateur ESC Smart 2-en-1 à balais Firma 40 A	Firma 40A Brushed Smart 2-in-1 ESC e ricevitore
SPMSSX108	SX108 Micro Metal Gear Servo	SX108 Mikro-Metallgetriebeservo	Micro servo à engrenage métallique SX108	Servo micro ingranaggi metallo SX108

## RECOMMENDED PARTS // EMPFOHLENE TEILE // PIÈCES RECOMMANDÉES // PARTI CONSIGLIATE

Part #	Description	Beschreibung	Description	Descrizione
DYNB37353	11.1V 3700mAh 3S 50CLiPo 96mmEC3	11,1V 3700mAh 3S 50CLiPo 96mmEC3	11,1V 3700mAh 3S 50CLiPo 96mmEC3	11,1V 3700mAh 3S 50CLiPo 96mmEC3
DYNB5025H3	7.4V 5000mAh 2S50C LiPo, Hardcase: EC3	7,4 V 5000 mAh 2S 50C LiPo, Hartschale: EC3	Li-Po 7,4 V 5000 mAh 2S 50C, boîtier : EC3	7,4 V 5000 mAh 2S 50C LiPo, hardcase: EC3
DYNC2030	Prophet Sport Mini 50W Charger	Prophet Sport Mini 50W Ladegerät	Chargeur Prophet Sport Mini, 50W	Caricabatterie Prophet Sport Mini, 50W
DYNC3015	P1 Mini AC Balance Char/ Dischar	Prophet Sport Mini AC Ladegerät	Chargeur Prophet Sport Mini, AC	Caricabatterie Prophet Sport Mini, AC
DYNC3016	Passport P2 2 Port AC/DC MultiCharger	Passport P2 2-Port-AC / DC-Multi-Ladegerät	Passport P2 Chargeur multiple AC / DC à 2 ports	Passport P2 Caricatore multiplo CA / CC a 2 porte
DYNS0900	Brushed Crawler Combo 35T	Gebürsteter Crawler Combo 35T	Brossé Crawler Combo 35T	Combo cingolato spazzolato 35T
SPMSS6250	S6250 U-T / H-S Digital HV WP Servo	S6250 U-T / H-S Digitales wasserdichtes Servo	S6250 U-T / H-S Servo étanche numérique	S6250 U-T / H-S Servo impermeabile digitale

Part #	Description	Beschreibung	Description	Descrizione
SPMSS6280	S6280 U-T / H-S Digital HV WP Servo	S6280 U-T / H-S Digitales wasserdichtes Servo	S6280 U-T / H-S Servo étanche numérique	S6280 U-T / H-S Servo impermeabile digitale
SPMX50002S100H3	5000mAh 2S 7.4V Smart 100C; IC3	5000mAh 2S 7,4V Smart 100C; IC3	5000mAh 2S 7,4V Smart 100C; IC3	5000mAh 2S 7,4V Smart 100C; IC3
SPMX50002S30H3	5000mAh 2S 7.4V Smart 30C; IC3	5000mAh 2S 7,4V Smart 30C; IC3	5000mAh 2S 7,4V Smart 30C; IC3	5000mAh 2S 7,4V Smart 30C; IC3
SPMX50002S50H3	5000mAh 2S 7.4V Smart 50C; IC3	5000mAh 2S 7,4V Smart 50C; IC3	5000mAh 2S 7,4V Smart 50C; IC3	5000mAh 2S 7,4V Smart 50C; IC3
SPMX50003S100H3	5000mAh 3S 11.1V Smart 100C; IC3	5000mAh 3S 11,1V Smart 100C; IC3	5000mAh 3S 11,1V Smart 100C; IC3	5000mAh 3S 11,1V Smart 100C; IC3
SPMX50003S30H3	5000mAh 3S 11.1V Smart 30C; IC3	5000mAh 3S 11,1V Smart 30C; IC3	5000mAh 3S 11,1V Smart 30C; IC3	5000mAh 3S 11,1V Smart 30C; IC3
SPMX50003S50H3	5000mAh 3S 11.1V Smart 50C; IC3	5000mAh 3S 11,1V Smart 50C; IC3	5000mAh 3S 11,1V Smart 50C; IC3	5000mAh 3S 11,1V Smart 50C; IC3
SPMXC2050	Smart S155 AC Charger, 1x55W	Smart S155 Gleichstrom-Ladegerät, 1x55 W	Chargeur CC Smart S155, 1x55 W	Caricabatteria Smart S155 CC, 1x55 W
SPMXC2080	Smart S1100 AC Charger, 1x100W	Smart S1100 Gleichstrom-Ladegerät, 1x100 W	Chargeur CC Smart S1100, 1x100 W	Caricabatteria Smart S1100 CC, 1x100 W
SPMXC2000	Smart S2100 DC Charger, 2x100W	Smart S2100 Gleichstrom-Ladegerät, 2x100 W	Chargeur CC Smart S2100, 2x100 W	Caricabatteria Smart S2100 CC, 2x100 W

## OPTIONAL PARTS // OPTIONALE TEILE // PIÈCES FACULTATIVES // PARTI OPZIONALI

Part #	Description	Beschreibung	Description	Descrizione
AXI13001	Multi-Color LED Rock Lights with Controller: SCX10 III	Mehrfarbige LED-Geländescheinwerfer mit Controller: SCX10 III	Système d'éclairage multicolore à DEL Rock Lights avec contrôleur : SCX10 III	LED multicolore Rock Lights con controller: SCX10 III
AXI230025	Universal Body Post Set: SCX10 III	Universal-Gehäusestangensatz: SCX10 III	Ensemble poteau de carrosserie universel : SCX10 III	Set supporti scocca universale: SCX10 III
AXI230031	LED Light Set, White/Red: SCX10 III	LED-Leuchtsatz, Weiß/Rot: SCX10 III	Ensemble de lumières DEL, blanc/rouge : SCX10 III	Set di luci a LED, bianco/rosso: SCX10 III
AXI231018	Receiver Box: SCX10III	Empfängerbox: SCX10III	Boîtier de récepteur : SCX10III	Scatola ricevitore: SCX10III
AXI232026	AR45 Differential Cover Red: SCX10 III	AR45 Differenzialgehäuse, rot: SCX10 III	Couvercle de différentiel AR45 rouge : SCX10 III	Carter differenziale AR45 (rosso): SCX10 III
AXI233004	Spring, 13x70mm 0.72lbs, Purple Extra Soft (2)	Feder, 13x70mm 0,72lbs, Lila Extra Weich (2)	Ressort, 13 x 70 mm 326,5 g, violet extra-souple (2)	Molla, 13x70mm 0,72lbs, viola extra morbida (2)
AXI233006	Spring, 13x70mm 1.28 lbs, Red Soft (2)	Feder, 13x70mm 1,28 lbs, rot weich (2)	Ressort, 13 x 70 mm 580,5 g, rouge souple (2)	Molla, 13x70mm 1,28 lbs, rossa morbida (2)
AXI233013	Spring 13x62mm .78lbs in Purple Super Soft(2)	Feder 13x62mm .78lbs in Lila superweich (2)	Ressort 13 x 62 mm 353,8 g violet super souple (2)	Molla 13x62mm .78lbs in viola super morbida (2)
AXI233016	Spring 13x62mm 1.9lbs in White Medium (2)	Feder 13x62mm 1,9lbs in Weiß mittel (2)	Ressort 13 x 62 mm 861,8 g blanc moyen (2)	Molla 13x62mm 1,9lbs in bianco medio (2)
AXI330002	Tuff Stuff Overland Accessory Pack	Tuff Stuff Zubehörpaket Überland	Pack d'accessoires terrestres Tuff Stuff	Pacchetto accessori Tuff Stuff Overland
AXI332001	6-Bolt 27 8 Overdrive Gear Set	6-Schrauben 27 8 Übersteuerungs-Zahnradsatz	Ensemble d'engrenage de surmultiplicateur 27/8 à 6 boulons	Set marcia overdrive 27/8 6 bulloni
AXI43001	1/10 KMC Machete 1.9 Wheels, 12mm Hex, Satin Silver (2)	1/10 KMC Machete 1.9 Räder, 12mm Sechskant, Satinsilber (2)	Roues 1,9 KMC Machete à l'échelle 1/10, montées en 12 mm, hexagonal, argent satiné (2)	Ruote 1/10 KMC Machete 1.9, esagono 12 mm, argento satinato (2)
AXI43003	1/10 Method MR307 Hole 1.9 Wheels, 12mm Hex, Satin Silver (2)	1/10 Methode MR307 Loch 1.9 Räder, 12mm Sechskant, Satinsilber (2)	Roues Method MR307 orifice 1,9 à l'échelle 1/10, montées en 12 mm, hexagonal, argent satiné (2)	1/10 Metodo MR307 Ruote con foro 1,9, esagono 12 mm, argento satinato (2)
AXI43004	1.9 Raceline Monster Beadlock Wheels, Black (2)	1.9 Raceline Monster Beadlock-Räder, Schwarz (2)	Roues 1,9 à verrou de talon Raceline Monster, noires (2)	1.9 Cerchi Raceline Monster Beadlock, neri (2)
AXI43005	1/10 MW19 1.9 Beadlock Wheels, 12mm Hex, Gray (2)	1/10 MW19 1.9 Beadlock-Räder, 12mm Sechskant, Grau (2)	Roues 1,9 à verrou de talon MW19 à l'échelle 1/10, montées en 12 mm, hexagonal, grises (2)	Ruote 1/10 MW19 1.9 Beadlock, esagono 12 mm, grigio (2)
AXI43009	1.9 KMC Machete Beadlock Wheels, Satin (2)	1.9 KMC Machete Beadlock-Räder, Satin (2)	Roues 1,9 à verrou de talon KMC Machete, satinées (2)	Ruote 1.9 KMC Machete Beadlock, satinato (2)
AXI43010	1.9 Nitto Trail Grappler 4.74 Wide M/T Tires (2)	1.9 Nitto Trail Grappler 4.74 breite M/T-Reifen (2)	Pneus 1,9 Nitto Trail Grappler M/T 4,74 pouces de large (2)	1,9 Pneumatici Nitto Trail Grappler 4,74 larghi M/T (2)
AXI43013	1.9 Retro Slot Beadlock Wheels, Satin (2)	1.9 Retro Slot Beadlock-Räder, Satin (2)	Roues 1,9 à verrou de talon Retro Slot, satinées (2)	Ruote 1.9 Retro Slot Beadlock, satinato (2)
AXI43014	Falken Wildpeak 4.7"/1.9" R35 Tires with Inserts (2)	Falken Wildpeak 4.7"/1.9" R35 Reifen mit Einlagen (2)	Pneus Falken Wildpeak 4,7 pouces/1,9 pouces R35 avec inserts (2)	Pneumatici Falken Wildpeak 4.7"/1.9" R35 con inserti (2)
AXI43015	Black Rhino Primm 1.9" Wheels, 12mm Hex, Black (2)	Black Rhino Primm 1.9"-Räder, 12mm Sechskant, Schwarz (2)	Roues 1,9 pouce Black Rhino Primm, montées en 12 mm, hexagonal, noires (2)	Ruote Black Rhino Primm da 1,9", esagono da 12 mm, nero (2)
AXI43016	1.9 Falken WILDPEAK M/T 4.19Tir	1.9 Falken WILDPEAK M/T 4.19Tir	Pneus Falken WILDPEAK M/T 1,9 4,19	1.9 Falken WILDPEAK M/T 4.19Tir
AXIC0724	Pinion Gear 32P 13T Steel 3mm Motor Shaft	Zahnradgetriebe 32P 13T Stahl 3mm Motorwelle	Arbre de moteur à engrenages à pignons en acier 32P 13T de 3 mm	Pignone 32P 13T acciaio 3mm albero motore
AXIC0725	Pinion Gear 32P 14T Steel 3mm Motor Shaft	Zahnradgetriebe 32P 14T Stahl 3mm Motorwelle	Arbre de moteur à engrenages à pignons en acier 32P 14T de 3 mm	Pignone 32P 14T acciaio 3mm albero motore
AXIC0726	Pinion Gear 32P 15T Steel 3mm Motor Shaft	Zahnradgetriebe 32P 15T Stahl 3mm Motorwelle	Arbre de moteur à engrenages à pignons en acier 32P 15T de 3 mm	Pignone 32P 15T acciaio 3mm albero motore

Part #	Description	Beschreibung	Description	Descrizione
AXIC0727	Pinion Gear 32P 16T Steel 3mm Motor Shaft	Zahnradgetriebe 32P 16T Stahl 3mm Motorwelle	Arbre de moteur à engrenages à pignons en acier 32P 16T de 3 mm	Pignone 32P 16T acciaio 3mm albero motore
AXIC1097	3-Port High Output LED Controller	Leistungsstarker LED-Controller mit 3 Anschlüssen	Contrôleur DEL 3 ports à puissance élevée	Controllore LED a 3 porte ad alta uscita
AXIC1143	1/10 Falken Wildpeak R35 1.9 Tire with Inserts (2)	1/10 Falken Wildpeak R35 1.9 Reifen mit Einsätzen (2)	Pneu Falken Wildpeak R35 1,9 à l'échelle 1/10 avec inserts (2)	Pneumatico 1/10 Falken Wildpeak R35 1.9 con inserti (2)
AXIC2014	Gate Marker Set Green Orange (10)	Gate Marker-Set Grün Orange (10)	Ensemble de marqueurs de porte vert orange (10)	Set di marcatori per cancelli verde arancione (10)
AXIC2016	1/10 Ripsaw R35 Compound 1.9 Tire with Inserts (2)	1/10 Ripsaw R35 Compound 1.9 Reifen mit Einsätzen (2)	Pneu 1,9 Ripsaw R35 Compound à l'échelle 1/10 avec inserts (2)	Pneumatico 1/10 Ripsaw R35 Mescola 1.9 con inserti (2)
AXIC2019	1/10 Maxxis Trepador Tires R35 1.9 Tire with Inserts (2)	1/10 Maxxis Trepador Reifen R35 1.9 Reifen mit Einsätzen (2)	Pneus Maxxis Trepador 1,9 R35 à l'échelle 1/10 avec inserts (2)	Pneumatici 1/10 Maxxis Trepador R35 1.9 con inserti (2)
AXIC2020	1/10 Nitto Trail Grappler R35 Compound 1.9 Tire with Inserts (2)	1/10 Nitto Trail Grappler R35 Compound 1.9 Reifen mit Einsätzen (2)	Pneu Nitto Trail Grappler R35 Compound 1,9 à l'échelle 1/10 avec inserts (2)	Pneumatico 1/10 Nitto Trail Grappler R35 mescola 1.9 con inserti (2)
AXIC3070	Universal 5 Bucket Light Bar Set	5-schaliger Universal-Leuchtbalkensatz	Rampe d'éclairage universelle 5 spots	Set di 5 barre lumineuse universali
AXIC3093	1/10 BF Goodrich Krawler T A R35 1.9 Tire with Inserts (2)	1/10 BF Goodrich Krawler T A R35 1.9 Reifen mit Einsätzen (2)	Pneu BF Goodrich Krawler T A R35 1,9 à l'échelle 1/10 avec inserts (2)	Pneumatico 1/10 BF Goodrich Krawler T A R35 1.9 con inserti (2)
AXIC7028	Pinion Gear 32P 17T Steel 3mm Motor Shaft	Zahnradgetriebe 32P 17T Stahl 3mm Motorwelle	Arbre de moteur à engrenages à pignons en acier 32P 17T de 3 mm	Pignone 32P 17T acciaio 3mm albero motore
AXI230025	Uni Body Post Set: SCX10 III	Universal-Gehäusestangensatz	Ensemble de poteaux de carrosserie universels	Set supporti carrozzeria universale
AXI332001	6-Bolt 27/8 Overdrive Gear Set	6-Schrauben-27/8-Overdrive-Zahnradsatz	Ensemble d'engrenages d'overdrive à 6 boulons 27/8	Set di ingranaggi Overdrive 27/8 a 6 bulloni
AXIC0724	AX30724 Pinion Gear 32p 13t	AX30724 Zahnradgetriebe 32p 13t	AX30724 Engrenage à pignons 32p 13t	AX30724 Pignone 32p 13t
AXIC0725	AX30725 Pinion Gear 32p 14t	AX30725 Zahnradgetriebe 32p 14t	AX30725 Engrenage à pignons 32p 14t	AX30725 Pignone 32p 14t
AXIC0726	AX30726 Pinion Gr 32p 15t 3mm	AX30726 Zahnradgetriebe 32p 15t	AX30726 Engrenage à pignons 32p 15t	AX30726 Pignone 32p 15t
AXIC0727	AX30727 Pinion Gear 32p 16t	AX30727 Zahnradgetriebe 32p 16t	AX30727 Engrenage à pignons 32p 16t	AX30727 Pignone 32p 16t
AXIC7028	AX30728 Pinion Gear 32P 17T	AX30728 Zahnradgetriebe 32p 17t	AX30728 Engrenage à pignons 32p 17t	AX30728 Pignone 32p 17t
SPMXSE1060	Firma 60ASenseBL Smart Cr ESC	Firma 60 A bürstenloser Smart-Geschwindigkeitsregler	Variateur ESC sans balais 60 A Smart Firma	Smart ESC Firma 60 A Brushless
SPMXSEMC08	Firma Sense 1/10 Cr Sys Smart	Firma Sense 1/10 Stromversorgungssystem Smart	Firma Sense 1/10 système du pouvoir Smart	Firma Sense 1/10 sistema di alimentazione Smart
SPMXSM3001	Firma 2100kv BL Sense Cr Mot	FIRMA 2100 Kv bürstenloser Motor	Moteur sans balais 2 100 Kv FIRMA	Motore BL FIRMA 2100 Kv
SPMXSM3002	Firma 2800kv BL Sense Cr Mot	FIRMA 2800 Kv bürstenloser Motor	Moteur sans balais 2 800 Kv FIRMA	Motore BL FIRMA 2800 Kv



**EXPLODED VIEWS // EXPLOSIONSZEICHNUNGEN // VUES ÉCLATÉES // VISTE ESPLOSE**

**EXPLODED VIEWS // EXPLOSIONSZEICHNUNGEN // VUES ÉCLATÉES // VISTE ESPLOSE**



[facebook.com/axialinc](https://facebook.com/axialinc) | [instagram.com/axialadventure](https://instagram.com/axialadventure) |  
[twitter.com/axialrc](https://twitter.com/axialrc) | [youtube.com/axialvideos](https://youtube.com/axialvideos)



[WWW.AXIALADVENTURE.COM](http://WWW.AXIALADVENTURE.COM)

©2023 Horizon Hobby, LLC.

Axial, the Axial logo, SCX10, DSM, DSMR, SLT3, IC3, EC3, Passport, and the Horizon Hobby logo are trademarks or registered trademarks of Horizon Hobby, LLC.

Dodge, the Dodge grille and related logos, vehicle model names and trade dress are trademarks of FCA US LLC and used under license by Horizon Hobby, LLC, ©2020 FCA US LLC.

The Spektrum trademark is used with permission of Bachmann Industries, Inc. All other trademarks, service marks and logos are property of their respective owners. US 9,930,567. US 10,419,970. US 10,849,013. Other patents pending.

Completed 09/23

AXI03008

477827