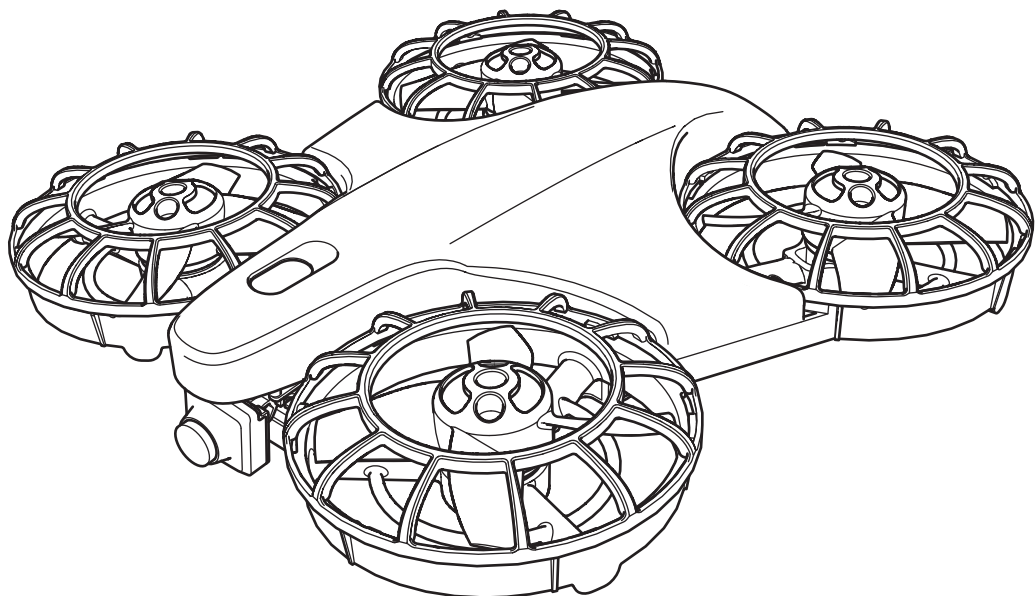


BLADE

INDUCTRIX™



**Instruction Manual
Bedienungsanleitung
Manuel d'utilisation
Manuale di Istruzioni**

SAFE®  **BNF™**

NOTICE

All instructions, warranties and other collateral documents are subject to change at the sole discretion of Horizon Hobby, LLC. For up-to-date product literature, visit horizonhobby.com and click on the support tab for this product.

Meaning of Special Language

The following terms are used throughout the product literature to indicate various levels of potential harm when operating this product:

NOTICE: Procedures, which if not properly followed, create a possibility of physical property damage AND a little or no possibility of injury.

CAUTION: Procedures, which if not properly followed, create the probability of physical property damage AND a possibility of serious injury.

WARNING: Procedures, which if not properly followed, create the probability of property damage, collateral damage, and serious injury OR create a high probability of superficial injury.



WARNING: Read the ENTIRE instruction manual to become familiar with the features of the product before operating. Failure to operate the product correctly can result in damage to the product, personal property and cause serious injury.

This is a sophisticated hobby product. It must be operated with caution and common sense and requires some basic mechanical ability. Failure to operate this Product in a safe and responsible manner could result in injury or damage to the product or other property. This product is not intended for use by children without direct adult supervision. Do not use with incompatible components or alter this product in any way outside of the instructions provided by Horizon Hobby, LLC. This manual contains instructions for safety, operation and maintenance. It is essential to read and follow all the instructions and warnings in the manual, prior to assembly, setup or use, in order to operate correctly and avoid damage or serious injury.

Age Recommendation: Not for children under 14 years. This is not a toy.

Safety Precautions and Warnings

- Always keep a safe distance in all directions around your model to avoid collisions or injury. This model is controlled by a radio signal subject to interference from many sources outside your control. Interference can cause momentary loss of control.
- Always operate your model in open spaces away from full-size vehicles, traffic and people.
- Always carefully follow the directions and warnings for this and any optional support equipment (chargers, rechargeable battery packs, etc.).
- Always keep all chemicals, small parts and anything electrical out of the reach of children.
- Always avoid water exposure to all equipment not specifically designed and protected for this purpose. Moisture causes damage to electronics.
- Never place any portion of the model in your mouth as it could cause serious injury or even death.
- Never operate your model with low transmitter batteries.
- Always keep aircraft in sight and under control.
- Always move the throttle fully down at rotor strike.
- Always use fully charged batteries.
- Always keep transmitter powered on while aircraft is powered.
- Always remove batteries before disassembly.
- Always keep moving parts clean.
- Always keep parts dry.
- Always let parts cool after use before touching.
- Always remove batteries after use.
- Never operate aircraft with damaged wiring.
- Never touch moving parts.

If you are operating this product in North America, you are required to have an Amateur Radio (HAM) license.

INDUCTRIX™

Table of Contents

Box Contents	3	Using the Micro Camera.....	11
First Flight Preparation.....	4	Post-Flight Inspection and Maintenance Checklist.....	11
Flying Checklist	4	Replacing the Propellers	12
Charging Warnings.....	4	Drift Calibration.....	12
Battery Charging.....	4	Troubleshooting Guide	13
Transmitter Setup	5	Exploded View	14
Installing the Flight Battery	8	Parts Listings	14
Powering On the Inductrix™ 200 Quadcopter	8	Optional Parts	14
Transmitter and Receiver Binding.....	8	Limited Warranty	15
SAFE® Technology	9	Warranty and Service Contact Information	16
Understanding the Primary Flight Controls	9	FCC Statement.....	16
Flight Mode Selection	10	IC Information	16
Flying the Inductrix™ Quadcopter	10	Compliance Information for the European Union.....	16

Specifications

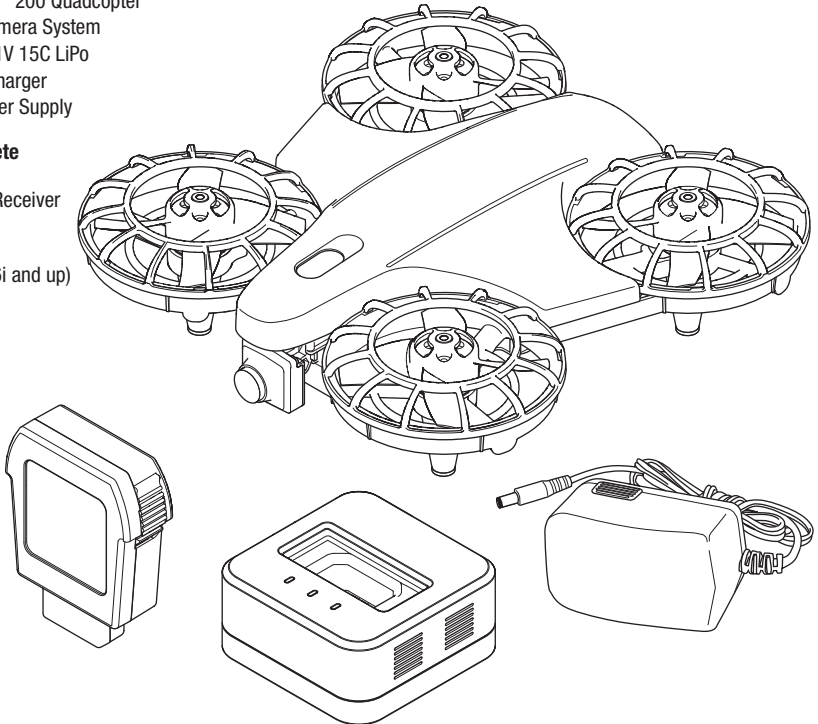
Length	6.1 in (155mm)	Propeller Diameter	2.1 in (55mm)
Height	1.8 in (45mm)	Flying Weight	6.5 oz (185 g)

Box Contents

- Blade® Inductrix™ 200 Quadcopter
- 25mW Micro Camera System
- 800mAh 3S 11.1V 15C LiPo
- 3S, 1.2 A LiPo Charger
- 13.5V, 1.3A Power Supply

Needed to Complete

- FPV Headset or Ground Station Receiver
- Full Range DSM2®/DSMX® Transmitter (DX6i and up)



To register your product online, visit www.bladehelis.com

First Flight Preparation

- Remove and inspect contents
- Begin charging the flight battery
- Program your computer transmitter
- Familiarize yourself with the controls
- Install the flight battery in the quadcopter (once it has been fully charged)
- Bind your transmitter
- Find a suitable area for flying

Charging Warnings



CAUTION: All instructions and warnings must be followed exactly. Mishandling of Li-Po batteries can result in a fire, personal injury and/or property damage.

- **NEVER LEAVE CHARGING BATTERIES UNATTENDED.**
- **NEVER CHARGE BATTERIES OVERNIGHT.**
- By handling, charging or using the included Li-Po battery, you assume all risks associated with lithium batteries.
- If at any time the battery begins to balloon or swell, discontinue use immediately. If charging or discharging, discontinue and disconnect. Continuing to use, charge or discharge a battery that is ballooning or swelling can result in fire.
- Always store the battery at room temperature in a dry area for best results.
- Always transport or temporarily store the battery in a temperature range of 40–120° F (5–49° C).
- Do not store battery or model in a car or direct sunlight. If stored in a hot car, the battery can be damaged or even catch fire.

Battery Charging

NOTICE: Charge only batteries that are cool to the touch and are not damaged. Look at the battery to make sure it is not damaged e.g., swollen, bent, broken or punctured.



CAUTION: Only use chargers specifically designed to charge the included Li-Po battery. Failure to do so could result in fire, causing injury or property damage.



CAUTION: Never exceed the recommended charge rate.

Charger LED Indications

GREEN, Fast Flash = Ready to Charge

RED Flash = Charging

RED AND GREEN Flash = Cell Balancing

GREEN Solid = Full Charge

BLUE Solid or Flashing = Error



CAUTION: Once charging is complete, immediately remove the battery. Never leave a battery connected to the charger.

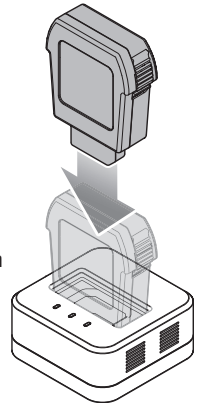
Flying Checklist

- Always turn the transmitter on first**
- Plug the flight battery into the lead from the 3-in-1 ESC
- Allow the receiver and ESC to initialize and arm
- Fly the model
- Land the model
- Unplug the flight battery from the 3-in-1 ESC
- Always turn the transmitter off last**

- Always charge batteries away from flammable materials.
- Always inspect the battery before charging
- Always disconnect the battery after charging, and let the charger cool between charges.
- Always constantly monitor the temperature of the battery pack while charging.
- **ONLY USE A CHARGER SPECIFICALLY DESIGNED TO CHARGE LI-PO BATTERIES.** Failure to charge the battery with a compatible charger may cause a fire resulting in personal injury and/or property damage.
- Never discharge Li-Po cells to below 3V under load.
- Never cover warning labels with hook and loop strips.
- Never charge batteries outside recommended levels.
- Never charge damaged batteries.
- Never attempt to dismantle or alter the charger.
- Never allow minors to charge battery packs.
- Never charge batteries in extremely hot or cold places (recommended between 40–120° F or (5–49° C) or place in direct sunlight.

Use only the included power supply with the included charger.

1. Connect the power supply to the charger and to a suitable outlet.
2. Insert the battery into the charger.
3. Remove the battery from the charger when the charging cycle is complete.
4. Remove the power supply from the AC outlet and charger.



Charger Blue LED Error Codes

One Flash = Initialization failed

Two Flashes = Input voltage error

Three Flashes = Battery error

Four Flashes = Charge current error

Five Flashes = Charge time protection

Solid = Hardware protection (Voltage > 4.3V)

Transmitter Setup

Program your transmitter before attempting to bind or fly the quadcopter. Transmitter programming values are shown below for the Spektrum DX6i, DX7s, DX6, DX7, DX8, DX9 and DX18.

The files for models using Spektrum™ transmitters with AirWare™ software are also available for download online at www.spektrumrc.com.

Your quadcopter is also compatible with Spektrum DXe radios with software version 1.3 or higher. Use the directions below to reverse channel 6, or use the appropriate programming cable and the PC or mobile app to program the DXe. We recommend downloading the Blade® Inductrix™ DXe model setup available at www.spektrumrc.com.

If you are programming your DXe using the PC or mobile app, make sure the "Transmitter Channels" value is set to the default of 7. If for any reason this value is changed to 9, the Inductrix will bind to the DXe, but will not respond to control inputs.

If your DXe was included in another Blade Ready To Fly (RTF) helicopter, the transmitter software will have to be updated using the appropriate programming cable and either the PC or mobile app available at www.spektrumrc.com. Please note, the switch configuration used for DXe transmitters included with the Blade 230 S RTF and Micro AH-64 Apache RTF varies from the standard DXe layout.

DXe

To use the DXe transmitter with the Blade Inductrix, channel 6 must be reversed.

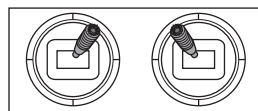
To reverse channel 6:

1. While powering on the DXe, hold the left and right sticks in the top-inside corners as shown.
2. Re-center the sticks after the transmitter beeps. The LED will flash slowly.
3. To select a channel to reverse, move the right stick to the left or right and allow it to re-center. Move the stick to the right to select the next channel. Move the stick to the left to select the previous channel. The LED will flash rapidly corresponding to the channel selected, as shown in the table. Select channel 6.
4. To reverse the selected channel, move the right stick up or down. The LED will change color to indicate the new channel direction.

The LED will flash **Orange** to indicate the channel is **normal**.

The LED will flash **Red** to indicate the channel is **reversed**.

5. To store the changes, power off the DXe.



LED Flashes	Channel
1	1-Throttle
2	2-Aileron
3	3-Elevator
4	4-Rudder
5	5-Flight Mode
6	6-Motor Stop
7	7-Flaps
8	8-Aux Channel



CAUTION: During the subsequent power up, always verify the throttle direction is correct and keep clear of the motor and rotor blades. Failure to do so may result in injury or damage to the product.

After reversing channel 6, bind the transmitter and quadcopter normally.

Flight modes are controlled by the Flight Mode switch.

Motor Stop is controlled by the Bind/Panic/Trainer button.

Once bound, the LED in the quadcopter should glow **blue** for flight mode 0 (*Stability, low angle mode*), **green** for flight mode 1 (*Stability, high angle mode*) and **red** for flight mode 2 (*Agility mode*).

If the motors will not start when giving the correct start command, channel 6 has not been reversed correctly. Use the directions above to reverse channel 6.

DX6i

SETUP LIST	
Model Type	Acro
REVERSE	
Channel	Direction
THRO	N
AILE	N
ELEV	N
RUDD	N
GEAR	R
FLAP	N
Modulation Type	
AUTO DSMX-ENABLE	
D/R COMBI	
D/R SW	AILE
Timer	
Down Timer	5:00
Switch	THR CUT

Motor Stop

Flap Switch

Pos 0 = Normal

Pos 1 = Motor Stop

DX7s

SYSTEM SETUP	
Model Type	ACRO
SW Select	
Trainer	Aux 1
Flap	Gear
All Others	INH

Motor Stop

Bind / I Button

Pressed (~1 sec) = Motor Stop

ADJUST LIST			
TRAVEL ADJ		D/R & Expo	
Channel	Travel	Chan	Sw Pos
THRO	100/100	AILE	0
AILE	100/100		1
ELEV	100/100	ELEV	0
RUDD	100/100		1
GEAR	100/100	RUDD	0
FLAP	100/100		1
FLAPS		Mixing	
	FLAP	ELEV	
NORM	↑100	0	
LAND	↓100	0	
		MIX 1	
		GEAR > GEAR	
		RATE	D 0% U -100%
		SW	GEAR TRIM - INH
		MIX 2	
		GEAR > GEAR	
		RATE	D 0% U +100%
		SW	ELE D/R TRIM - INH

Flight Mode Operation

Gear Sw: Pos 0, Elev D/R Sw: 0 or 1 = Stability, Low-Angle Mode (quadcopter LED Blue)

Gear Sw: Pos 1, Elev D/R Sw: 0 = Stability, High-Angle Mode (quadcopter LED Green)

Gear Sw: Pos 1, Elev D/R Sw: 1 = Agility Mode (quadcopter LED Red)

FUNCTION LIST			
Servo Setup			
Chan	Travel	Reverse	
THR	100/100	Normal	
AILE	100/100	Normal	
ELE	100/100	Normal	
RUD	100/100	Normal	
D/R & Expo			
Chan	Switch Pos (FLAP)	D/R	Expo*
AILE	0	100/100	0
	1	100/100	0
	2	75/75	0
ELEV	0	100/100	0
	1	100/100	0
	2	75/75	0
RUDD	0	100/100	0
	1	100/100	0
	2	75/75	0
Timer			
Mode	Count Down		
Time	5:00 Tone		
Start	Throttle Out		
Pos	25%		

Flight Mode Operation

FLAP Sw: Pos 0 = Stability, Low-Angle Mode (quadcopter LED Blue)

Pos 1 = Stability, High-Angle Mode (quadcopter LED Green)

Pos 2 = Agility Mode (quadcopter LED Red)

* Use of "Expo" is not necessary for successful flight of the Inductrix 200. The pilot may adjust this setting to tailor the sensitivity of the quadcopter around neutral if desired.

DX8

SYSTEM SETUP	
Model Type	ACRO
SW Select	
Trainer	Aux 1
F Mode	Gear
All Others	INH

FUNCTION LIST						
Servo Setup						
Chan	Travel	Reverse	Chan	Travel	Reverse	
THR	100/100	Normal	GER	100/100	Normal	
AIL	100/100	Normal	AX1	100/100	Reverse	
ELE	100/100	Normal	AX2	100/100	Normal	
RUD	100/100	Normal				
D/R & Expo						
Chan	Switch Pos (AIL D/R)	D/R	Expo*	Chan	Switch Pos (AIL D/R)	D/R
AILE	0	100/100	0	RUDD	0	100/100
	1	100/100	0		1	100/100
	2	75/75	0		2	75/75
ELEV	0	100/100	0			
	1	100/100	0			
	2	75/75	0			
Timer						
Mode	Count Down					
Time	5:00 Tone					
Start	Throttle Out					
Pos	25%					

Motor Stop

Bind / I Button

Pressed = Motor Stop

Flight Mode Operation

F MODE Sw: Pos 0 = Stability, Low-Angle Mode (quadcopter LED Blue)

Pos 1 = Stability, High-Angle Mode (quadcopter LED Green)

Pos 2 = Agility Mode (quadcopter LED Red)

DX6, DX7 (Gen 2), DX9, DX18

SYSTEM SETUP	
Model Type	Airplane
F-Mode Setup	
Switch 1	Switch B
Switch 2	Inhibit
Channel Assign	
Channel Input	
1 Throttle	N/A
2 Aileron	N/A
3 Elevator	N/A
4 Rudder	N/A
5 Gear	B
6 AUX 1	I

FUNCTION LIST						
Servo Setup						
Chan	Travel	Reverse	Chan	Travel	Reverse	
THR	100/100	Normal	AX1	100/100	Reverse	
AIL	100/100	Normal	AX2	100/100	Normal	
ELE	100/100	Normal	AX3	100/100	Normal	
RUD	100/100	Normal	AX4	100/100	Normal	
GER	100/100	Normal				
D/R & Expo						
Chan	Switch (F) Pos		D/R	Expo*		
	DX6	DX7, 9, 18				
AILE	0	0	100/100	0		
		1	100/100	0		
	1	2	75/75	0		
ELEV	0	0	100/100	0		
		1	100/100	0		
	1	2	75/75	0		
RUDD	0	0	100/100	0		
		1	100/100	0		
	1	2	75/75	0		
Timer						
Mode	Count Down					
Time	5:00					
Start	Throttle Out					
Over	25%					
One Time	Inhibit					

Motor Stop

Bind / I Button

Pressed = Motor Stop

Flight Mode Operation

Sw B: Pos 0 = Stability, Low-Angle Mode (quadcopter LED Blue)

Pos 1 = Stability, High-Angle Mode (quadcopter LED Green)

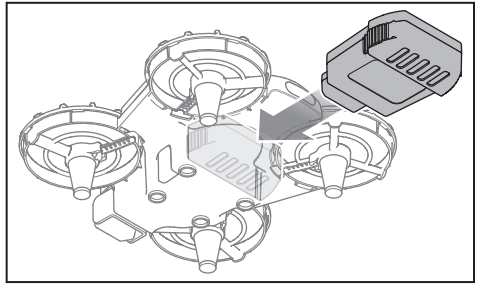
Pos 2 = Agility Mode (quadcopter LED Red)

* Use of "Expo" is not necessary for successful flight of the Inductrix 200. The pilot may adjust this setting to tailor the sensitivity of the quadcopter around neutral if desired.

Installing the Flight Battery

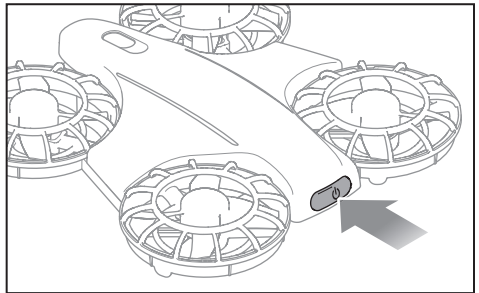
1. Slide the battery into the back of the quadcopter, as shown, until it locks.
2. To remove the battery, press the locking tabs on both sides of the battery and pull the battery straight out the back of the quadcopter.

⚠ CAUTION: Always remove the Li-Po battery from the quadcopter when not flying to avoid over-discharging the battery. Batteries discharged to a voltage lower than the lowest approved voltage may become damaged, resulting in loss of performance and potential fire when batteries are charged.



Powering On the Inductrix™ 200 Quadcopter

1. Push the power button/LED once to power on the quadcopter.
2. Push and hold the power button/LED for 1-2 seconds to power off the quadcopter.



Transmitter and Receiver Binding

To bind or re-bind your quadcopter to your chosen transmitter, please follow the directions below.

General Binding Procedure

1. Refer the Transmitter Setup Table to correctly setup your transmitter.
2. Lower the throttle stick to the lowest position and center all trims on your transmitter.
3. Power off the transmitter and move all switches to the 0 position.
4. Install the flight battery.
5. Press the quadcopter power button/LED. The quadcopter LED glows red, yellow or green, indicating the battery charge level. The LED flashes green and red briefly then continuously flashes blue, indicating the quadcopter is in bind mode.
6. Put the transmitter into bind mode while powering on the transmitter.
7. Release the bind button/switch after 2-3 seconds. The quadcopter is bound when the LED on the quadcopter glows solid.
8. Press and hold the quadcopter power button/LED to power the quadcopter off. Power the transmitter off.

If you encounter problems, obey binding instructions and refer to the troubleshooting guide for other instructions. If needed, contact the appropriate Horizon Product Support office. For a list of compatible DSM® transmitters, please visit www.bindnfly.com.

Revolutionary SAFE® (Sensor Assisted Flight Envelope) technology uses an innovative combination of multi-axis sensors and software that allows model aircraft to know its position relative to the horizon. This spatial awareness is utilized to create a controlled flight envelope the aircraft can use to maintain a safe region of bank and pitch angles so you can fly more safely. Far beyond stability, this level of protection offers multiple modes so the pilot can choose to develop his or her skills with a greater degree of security and flight control that always feels crisp and responsive.

SAFE® technology delivers:

- Flight envelope protection you can enable at the flip of a switch.
- Multiple modes let you adapt SAFE® technology to your skill level instantly.

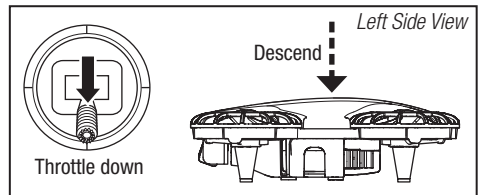
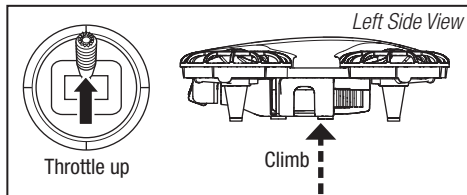
Best of all, sophisticated SAFE® technology doesn't require any work to enjoy. Every aircraft with SAFE® installed is ready to use and optimized to offer the best possible flight experience.

FlySAFERC.com

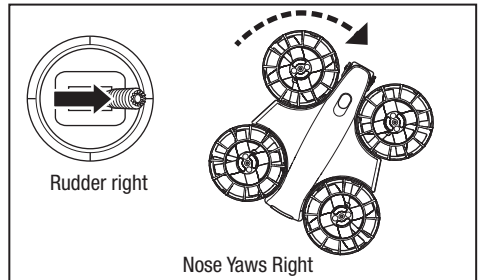
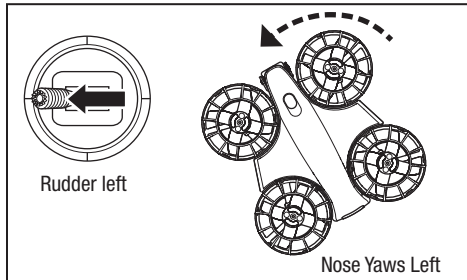
Understanding the Primary Flight Controls

If you are not familiar with the controls of your quadcopter, take a few minutes to familiarize yourself with them before attempting your first flight.

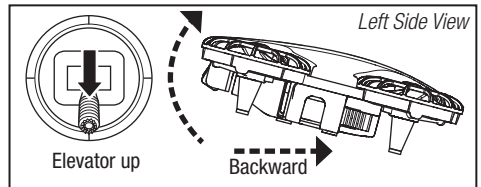
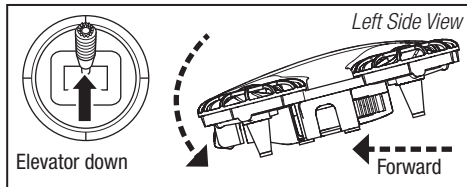
Throttle



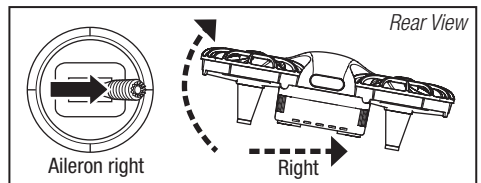
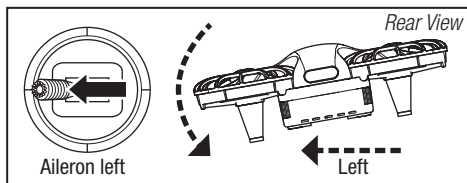
Rudder



Elevator



Aileron



Flight Mode Selection

- In stability low angle mode (quadcopter LED blue), the controls provide a minimum bank angle.
- In stability high angle mode (quadcopter LED green), the controls provide a maximum bank angle.
- In agility mode (quadcopter LED red), the system does not self level. Use rates and expo to tune the performance according to your flying style.

Refer to the *Transmitter Setup Table* for transmitter switch selection and specific setup information.

Flying the Inductrix™ Quadcopter

Consult your local laws and ordinances before choosing a location to fly your aircraft.

We recommend flying your aircraft outside in calm winds or inside a large gymnasium. Always avoid flying near houses, trees, wires and buildings. You should also be careful to avoid flying in areas where there are many people, such as busy parks, schoolyards or soccer fields.

When you have located a suitable flying site and are ready to fly:

1. Power on the transmitter.
2. Install the flight battery into the quadcopter.
3. Power on the quadcopter by pressing the power button/LED. The LED will glow for approximately 1-2 seconds indicating the battery charge status.

Green = Fully charged.

Yellow = Approximately half full.

Red = Discharged. **Do not fly.** Charge the flight battery.

Takeoff

With all trims centered and the throttle fully lowered, start the motors by moving the rudder stick to the right then back to center. Increase the throttle until the model is approximately 2 ft. (600mm) off the ground.

Making small corrections on the transmitter, try to hold the quadcopter in one spot. If flying in calm winds, the model should require almost no corrective inputs. After moving the cyclic stick and returning it to center the model should level itself. The model may continue to move due to inertia. Move the cyclic stick in the opposite direction to stop the movement.

Do not use the trims on the transmitter to eliminate drift. If the quadcopter does not hold a reasonable hover in calm conditions, perform the *Drift Calibration*.

Flying

With your quadcopter maintaining a stable low-level hover, practice using the rudder, elevator and aileron controls to familiarize yourself with the machine's responses to control inputs. Remember to keep the control inputs as minimal as possible.

When you are comfortable with basic flight you may explore the different flight modes and functions explained in the *Flight Mode Selection* section of this manual. The different flight modes are accessed using the controls programmed in the *Transmitter Setup* section.

Releasing the sticks in either of the Stability Modes will allow the quadcopter to level itself. If you become disoriented, slowly lower the throttle stick to land softly.

Typical flight times for the included battery range from 5-6 minutes.

Low Voltage Cutoff (LVC)

LVC decreases the power to the motors when the battery voltage gets low. The LED on the quadcopter will indicate when the battery charge is getting low. When the quadcopter LED flashes red continuously, land the aircraft immediately and recharge the flight battery. Continuing to fly after the LED begins to flash red will cause the motors to slow and eventually shut down, causing a crash.

NOTICE: Crash damage is not covered under warranty.

NOTICE: Repeated flying to LVC will damage the battery.

LVC does not prevent the battery from over-discharge during storage.

Landing

To land, slowly decrease the throttle while in a low-level hover. After landing, activate the motor stop feature, as described in the *Transmitter Setup*, to stop the motors. Press the power button/LED on the quadcopter to power off. Remove the battery from the aircraft after use to prevent over discharge. During storage, make sure the battery charge does not fall below 3V per cell.

Using the Micro FPV Camera

Consult local laws and ordinances before operating FPV equipment. In some areas, FPV operation may be limited or prohibited. You are responsible for operating this product in a legal and responsible manner.

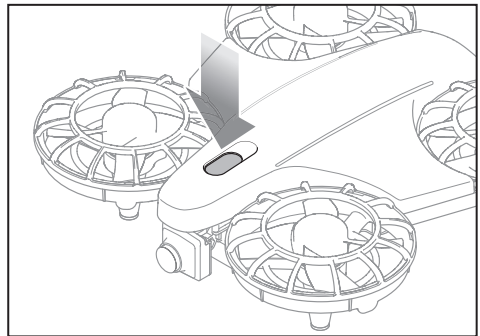
1. Power on your radio transmitter, then power on the aircraft.
2. Power on the video receiver to make sure the channel is clear and then power on the video transmitter.
3. Select the desired video transmitter channel by pressing the button on the quadcopter to scroll through the available channels, 1-7, as shown.
4. Adjust the vertical camera angle by rotating the camera up or down prior to flight.
5. Perform a range test before flying.

If you experience static in the video feed, select a different channel.

NOTICE: The 25mW micro video camera range on your quadcopter is less than your flight control transmitter range. Ensure you have adequate video camera range for filming.

Tip: If you are flying with an FPV headset and are prone to motion sickness, sit in a chair. If you start to suffer from motion sickness while flying, lower your chin against your chest.

Fly in open areas, away from people, trees, cars, and buildings. The range of the system can be impacted by any obstructions blocking your signal. It is normal to see break up in the video going behind trees and other obstacles.



Ultra Micro FPV Camera Transmitter Channels

Channel 1	5740 MHz
Channel 2	5760 MHz
Channel 3	5780 MHz
Channel 4	5800 MHz
Channel 5	5820 MHz
Channel 6	5840 MHz
Channel 7	5860 MHz

These frequencies are compatible with Band F, Fatshark, Immersion RC and Airwave video receiver products

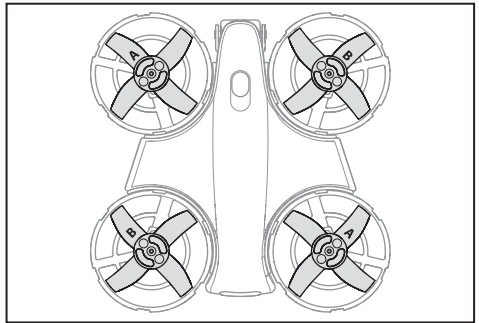
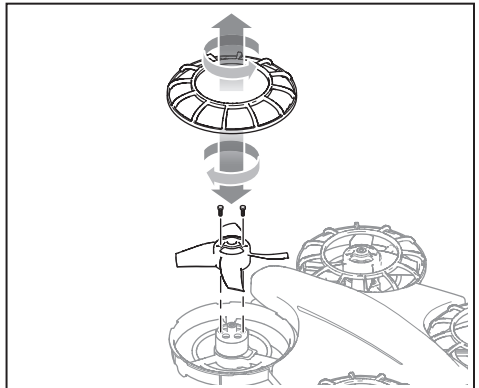
Post-Flight Inspection and Maintenance Checklist

✓		
Cleaning		Make sure the battery is not installed before cleaning. Remove dust and debris with a soft brush or a dry, lint-free cloth.
Motors		Replace the motor when the model will not fly steady or veers off when doing a climb out.
Wiring		Make sure the wiring does not block moving parts. Replace damaged wiring and loose connectors.
Fasteners		Make sure there are no loose screws, other fasteners or connectors. Do not over-tighten metal screws in plastic parts. Tighten screws so the parts are mated together, then turn the screw only 1/8th of a turn more. Do not use threadlock on or near plastic parts.
Propellers		Make sure there is no damage to the propellers or other parts that move at high speed. Damage to these parts includes cracks, burrs, chips or scratches. Replace damaged parts before flying.

Replacing the Propellers

Follow the steps below to replace any damaged propellers:

1. Twist the top half of the protective cage of the affected propeller counter-clockwise to unlock, and lift it to remove the cage.
2. Remove 2 screws and remove the propeller by pulling straight up.
3. Note the propellers are marked "A" or "B" to show the proper location on the quadcopter. Using the illustration as a placement guide, replace the propeller. Make sure to line up the screw holes in the top of the motor with the corresponding holes in the propeller.
4. Replace 2 screws. Do not overtighten the screws.
5. Line up the top protective cage tabs with the respective slots in the propeller shroud. Twist the cage clockwise until it locks into place.



Drift Calibration

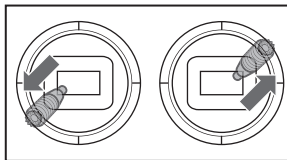
The quadcopter has been calibrated at the factory before shipment, but it is possible that a crash will cause mechanical distortion of the frame, resulting in a slight drift in the Stability modes. In this situation, please follow the calibration procedure below.

Before beginning the calibration procedure, fully charge the flight battery and ensure the quadcopter and transmitter are bound properly, per the binding instructions.

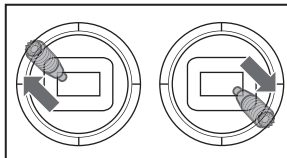
To Calibrate the Blade Inductrix 200:

1. Power on the transmitter and quadcopter normally.

2. Refer to the illustrations at right. Depending on which control layout mode your transmitter uses, move the control sticks to the positions shown and press the bind button until the LED on the quadcopter glows white (approximately 3 seconds).



Mode 2



Mode 1

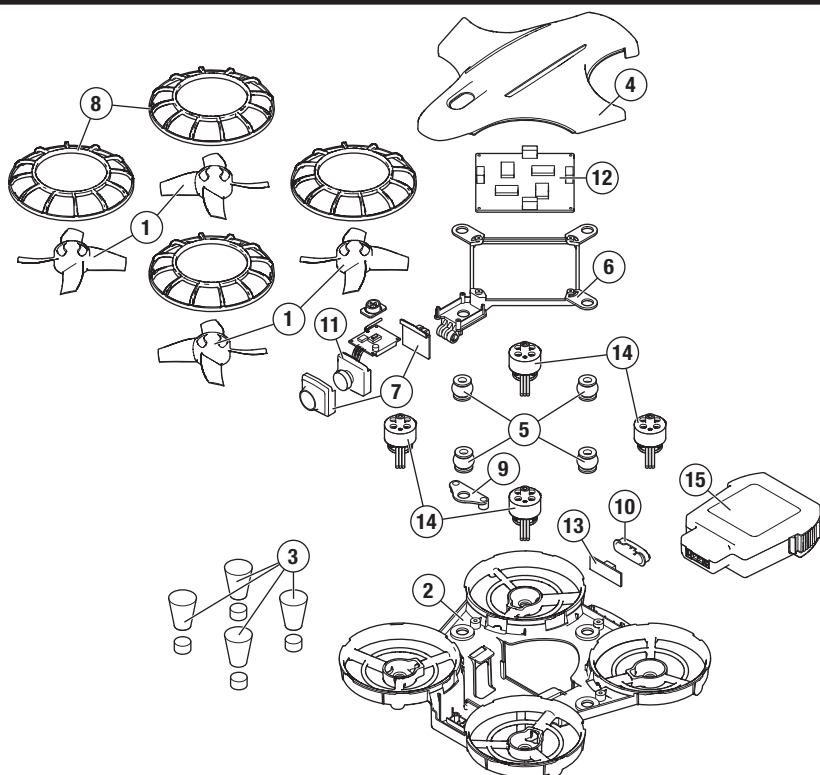
If you are using the DX6i transmitter, rather than pressing the bind button, change the flap switch to position 1 until the LED on the quadcopter glows white.

3. Release the sticks and bind button.
DX6i users, change the flap switch back to position 0.
4. Start the motors normally.
5. Slowly advance the throttle to bring the quadcopter into a low hover. The LED will flash continuously to indicate the calibration process has begun. Hold the hover for approximately 15 seconds, using as little control input as possible to keep the quadcopter steady.
6. Land the quadcopter by slowly lowering the throttle.
7. After landing, press the bind/panic button to complete the calibration process. The LED will show solid blue.

Troubleshooting Guide

Problem	Possible Cause	Solution
Quadcopter will not respond to throttle	Throttle too high and/or throttle trim is too high	Reset controls with the throttle stick and throttle trim at the lowest setting
	Throttle channel is reversed AUX 1 reversed or not set properly prevents the motors from starting	Power the quadcopter off, reverse the throttle channel on the transmitter, power the quadcopter back on
	Motor start command not given correctly	Lower the throttle completely and move the rudder stick completely right then back to center
Quadcopter has reduced flight time or is underpowered	Flight battery charge is low	Completely recharge the flight battery
	Inadequate power to flight battery charger	Use a different power source for the charger
	Flight battery is damaged	Replace the flight battery and follow the flight battery instructions
	Flight conditions too cold	Make sure the battery is warm (room temperature) before use
Difficulty binding	Transmitter too near aircraft during binding process	Power off the transmitter. Move the transmitter a larger distance from the aircraft. Disconnect and reconnect the flight battery to the Quadcopter. Follow the binding instructions
	Bind switch or button was not held while transmitter was powered on	Power off transmitter and repeat bind process
	Quadcopter or transmitter is too close to large metal object, wireless source or another transmitter	Move quadcopter and transmitter to another location and attempt binding again
Difficulty connecting (after binding)	Less than a 5-second wait between first powering on the transmitter and powering on the quadcopter	Leave the transmitter powered on. Power off the quadcopter and power it back on
	The quadcopter is bound to a different model memory (ModelMatch™ transmitters only)	Select the correct model memory on the transmitter. Disconnect and reconnect the flight battery to the quadcopter
	Flight battery or transmitter battery charge is too low	Replace or recharge batteries
	Quadcopter or transmitter is too close to large metal object, wireless source or another transmitter	Move quadcopter and transmitter to another location and attempt connecting again
Crashes immediately upon lift-off	Propellers in wrong locations or incorrect flight mode selected	Ensure propeller direction and motor direction are correct
	Aileron, elevator or rudder are reversed in the transmitter	Ensure aileron, elevator or rudder are not reversed
Quadcopter does not complete initialization beyond showing the battery charge level	Quadcopter moved during initialization	Allow the quadcopter to sit still until it initializes completely
Static in FPV feed	Interference on chosen channel	Change the video transmitter and receiver channel per the Using the Micro Camera section
Charger LED glows solid or flashes blue	Charging error	Refer to the Battery Charging section for a list of error codes

Exploded View



Parts Listings

Part #	Description
1	BLH9001 Propeller Set
2	BLH9002 Main Frame Bottom
3	BLH9003 Landing Gear
4	BLH9004 Main Frame Top
5	BLH9005 Dampers
6	BLH9006 PCB Mount
7	BLH9007 Camera Mount
8	BLH9008 Prop Guards
9	BLH9009 Power Connector
10	BLH9010 LED Cover

Part #	Description
11	BLH9011 FPV Camera
12	BLH9012 3-in-1 Control Unit
13	BLH9013 Power Switch
14	BLH9014 Brushless Main Motor
15	BLH9015 800mAh 3S 11.1V LiPo Battery
	BLH9016 Charger
	BLH9017 Power Supply
	BLH9017AU Power Supply, AU
	BLH9017EU Power Supply, EU
	BLH9017UK Power Supply, UK

Optional Parts

Part #	Description
SPMVR1100	Fat Shark Headset
	DXe DSMX Transmitter Only
	DX6 DSMX 6-Channel Transmitter Only
	DX6i DSMX 6-Channel Transmitter Only

Part #	Description
	DX7 DSMX 7-Channel Transmitter Only
	DX8 DSMX 8-Channel Transmitter Only
	DX9 DSMX 9-Channel Transmitter Only
	DX18 DSMX 18-Channel Transmitter Only

Limited Warranty

What this Warranty Covers

Horizon Hobby, LLC, (Horizon) warrants to the original purchaser that the product purchased (the "Product") will be free from defects in materials and workmanship at the date of purchase.

What is Not Covered

This warranty is not transferable and does not cover (i) cosmetic damage, (ii) damage due to acts of God, accident, misuse, abuse, negligence, commercial use, or due to improper use, installation, operation or maintenance, (iii) modification of or to any part of the Product, (iv) attempted service by anyone other than a Horizon Hobby authorized service center, (v) Product not purchased from an authorized Horizon dealer, (vi) Product not compliant with applicable technical regulations, or (vii) use that violates any applicable laws, rules, or regulations.

OTHER THAN THE EXPRESS WARRANTY ABOVE, HORIZON MAKES NO OTHER WARRANTY OR REPRESENTATION, AND HEREBY DISCLAIMS ANY AND ALL IMPLIED WARRANTIES, INCLUDING, WITHOUT LIMITATION, THE IMPLIED WARRANTIES OF NON-INFRINGEMENT, MERCHANTABILITY AND FITNESS FOR A PARTICULAR PURPOSE. THE PURCHASER ACKNOWLEDGES THAT THEY ALONE HAVE DETERMINED THAT THE PRODUCT WILL SUITABLY MEET THE REQUIREMENTS OF THE PURCHASER'S INTENDED USE.

Purchaser's Remedy

Horizon's sole obligation and purchaser's sole and exclusive remedy shall be that Horizon will, at its option, either (i) service, or (ii) replace, any Product determined by Horizon to be defective. Horizon reserves the right to inspect any and all Product(s) involved in a warranty claim. Service or replacement decisions are at the sole discretion of Horizon. Proof of purchase is required for all warranty claims. SERVICE OR REPLACEMENT AS PROVIDED UNDER THIS WARRANTY IS THE PURCHASER'S SOLE AND EXCLUSIVE REMEDY.

Limitation of Liability

HORIZON SHALL NOT BE LIABLE FOR SPECIAL, INDIRECT, INCIDENTAL OR CONSEQUENTIAL DAMAGES, LOSS OF PROFITS OR PRODUCTION OR COMMERCIAL LOSS IN ANY WAY, REGARDLESS OF WHETHER SUCH CLAIM IS BASED IN CONTRACT, WARRANTY, TORT, NEGLIGENCE, STRICT LIABILITY OR ANY OTHER THEORY OF LIABILITY, EVEN IF HORIZON HAS BEEN ADVISED OF THE POSSIBILITY OF SUCH DAMAGES. Further, in no event shall the liability of Horizon exceed the individual price of the Product on which liability is asserted. As Horizon has no control over use, setup, final assembly, modification or misuse, no liability shall be assumed nor accepted for any resulting damage or injury. By the act of use, setup or assembly, the user accepts all resulting liability. If you as the purchaser or user are not prepared to accept the liability associated with the use of the Product, purchaser is advised to return the Product immediately in new and unused condition to the place of purchase.

Law

These terms are governed by Illinois law (without regard to conflict of law principals). This warranty gives you specific legal rights, and you may also have other rights which vary from state to state. Horizon reserves the right to change or modify this warranty at any time without notice.

WARRANTY SERVICES

Questions, Assistance, and Services

Your local hobby store and/or place of purchase cannot provide warranty support or service. Once assembly, setup or use of the Product has been started, you must contact your local distributor or Horizon directly. This will enable Horizon to better answer your questions and service you in the event that you

may need any assistance. For questions or assistance, please visit our website at www.horizonhobby.com, submit a Product Support Inquiry, or call the toll free telephone number referenced in the Warranty and Service Contact Information section to speak with a Product Support representative.

Inspection or Services

If this Product needs to be inspected or serviced and is compliant in the country you live and use the Product in, please use the Horizon Online Service Request submission process found on our website or call Horizon to obtain a Return Merchandise Authorization (RMA) number. Pack the Product securely using a shipping carton. Please note that original boxes may be included, but are not designed to withstand the rigors of shipping without additional protection. Ship via a carrier that provides tracking and insurance for lost or damaged parcels, as Horizon is not responsible for merchandise until it arrives and is accepted at our facility. An Online Service Request is available at http://www.horizonhobby.com/content/_service-center_render-service-center. If you do not have internet access, please contact Horizon Product Support to obtain a RMA number along with instructions for submitting your product for service. When calling Horizon, you will be asked to provide your complete name, street address, email address and phone number where you can be reached during business hours. When sending product into Horizon, please include your RMA number, a list of the included items, and a brief summary of the problem. A copy of your original sales receipt must be included for warranty consideration. Be sure your name, address, and RMA number are clearly written on the outside of the shipping carton.

NOTE: Do not ship Li-Po batteries to Horizon. If you have any issue with a Li-Po battery, please contact the appropriate Horizon Product Support office.

Warranty Requirements

For Warranty consideration, you must include your original sales receipt verifying the proof-of-purchase date.

Provided warranty conditions have been met, your Product will be serviced or replaced free of charge. Service or replacement decisions are at the sole discretion of Horizon.

Non-Warranty Service

Should your service not be covered by warranty, service will be completed and payment will be required without notification or estimate of the expense unless the expense exceeds 50% of the retail purchase cost.

By submitting the item for service you are agreeing to payment of the service without notification. Service estimates are available upon request. You must include this request with your item submitted for service. Non-warranty service estimates will be billed a minimum of ½ hour of labor. In addition you will be billed for return freight. Horizon accepts money orders and cashier's checks, as well as Visa, MasterCard, American Express, and Discover cards. By submitting any item to Horizon for service, you are agreeing to Horizon's Terms and Conditions found on our website http://www.horizonhobby.com/content/_service-center_render-service-center.

ATTENTION: Horizon service is limited to Product compliant in the country of use and ownership. If received, a non-compliant Product will not be serviced. Further, the sender will be responsible for arranging return shipment of the un-serviced Product, through a carrier of the sender's choice and at the sender's expense. Horizon will hold non-compliant Product for a period of 60 days from notification, after which it will be discarded.

10/15

Warranty and Service Contact Information

Country of Purchase	Horizon Hobby	Contact Information	Address
United States of America	Horizon Service Center (Repairs and Repair Requests)	servicecenter.horizonhobby.com/RequestForm/	4105 Fieldstone Rd Champaign, Illinois, 61822 USA
	Horizon Product Support (Product Technical Assistance)	productsupport@horizonhobby.com 877-504-0233	
	Sales	websales@horizonhobby.com 800-338-4639	
United Kingdom	Service/Parts/Sales: Horizon Hobby Limited	sales@horizonhobby.co.uk	Units 1–4 , Ployters Rd, Staple Tye Harlow, Essex, CM18 7NS, United Kingdom
		+44 (0) 1279 641 097	
Germany	Horizon Technischer Service Sales: Horizon Hobby GmbH	service@horizonhobby.de	Christian-Junge-Straße 1 25337 Elmshorn, Germany
		+49 (0) 4121 2655 100	
France	Service/Parts/Sales: Horizon Hobby SAS	infofrance@horizonhobby.com	11 Rue Georges Charpak 77127 Lieusaint, France
		+33 (0) 1 60 18 34 90	

FCC Statement

This equipment has been tested and found to comply with the limits for a Class B digital device, pursuant to part 15 of the FCC Rules. These limits are designed to provide reasonable protection against harmful interference in a residential installation. This equipment generates, uses and can radiate radio frequency energy and, if not installed and used in accordance with the instructions, may cause harmful interference to radio communications.

However, there is no guarantee that interference will not occur in a particular installation. If this equipment does cause harmful interference to radio or television reception, which can be determined by turning the equipment off and on, the user is encouraged to try to correct the interference by one or more of the following measures:

- Reorient or relocate the receiving antenna.
- Increase the separation between the equipment and receiver.
- Connect the equipment to an outlet on a circuit different from that to which the receiver is connected.

This device complies with part 15 of the FCC rules. Operation is subject to the following two conditions: (1) This device may not cause harmful interference, and (2) this device must accept any interference received, including interference that may cause undesired operation.

NOTICE: Modifications to this product will void the user's authority to operate this equipment.

This product contains a radio transmitter with wireless technology which has been tested and found to be compliant with the applicable regulations governing a radio transmitter in the 2.400GHz to 2.4835GHz frequency range.

IC Information

This device complies with Industry Canada license-exempt RSS standard(s). Operation is subject to the following two conditions: (1) this device may not cause interference, and (2) this device must accept any interference, including interference that may cause undesired operation of the device.

Compliance Information for the European Union

EU Compliance Statement:

Horizon Hobby, LLC hereby declares that this product is in compliance with the essential requirements and other relevant provisions of the R&TTE, EMC, and LVD Directives.

A copy of the EU Declaration of Conformity is available online at:
<http://www.horizonhobby.com/content/support-render-compliance>.

Instructions for disposal of WEEE by users in the European Union



This product must not be disposed of with other waste. Instead, it is the user's responsibility to dispose of their waste equipment by handing it over to a designated collection point for the recycling of waste electrical and electronic equipment. The separate collection and recycling of your waste equipment at the time of disposal will help to conserve natural resources and make sure that it is recycled in a manner that protects human health and the environment. For more information about where you can drop off your waste equipment for recycling, please contact your local city office, your household waste disposal service or where you purchased the product.



©2016 Horizon Hobby, LLC.

Blade, E-flite, Inductrix, SAFE, the SAFE logo, DSM, DSM2, DSMX, the BNF logo, AirWare, ModelMatch and the Horizon Hobby logo are trademarks or registered trademarks of Horizon Hobby, LLC. The Spektrum trademark is used with permission of Bachmann Industries, Inc. All other trademarks, service marks or logos are property of their respective owners. Patents pending.

Created 1/16

51869.1

BLH9080