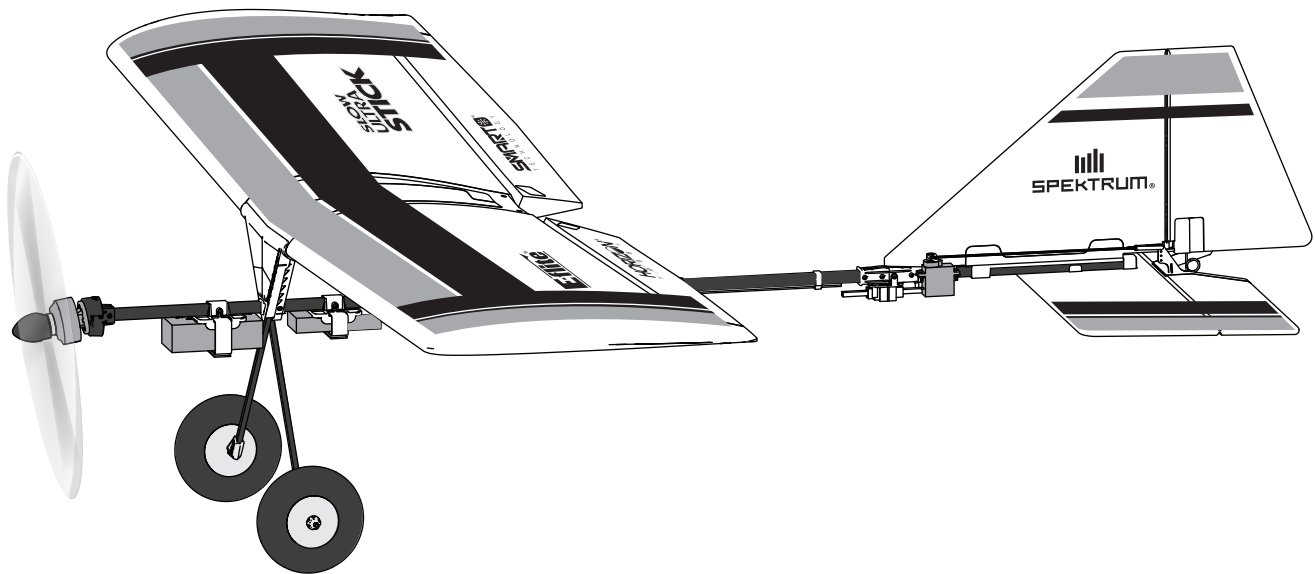


# Slow Ultra Stick 1.2m



**Instruction Manual**  
**Bedienungsanleitung**  
**Manuel d'utilisation**  
**Manuale di Istruzioni**

Scan the QR code and select the Manuals and Support quick links from the product page for the most up-to-date manual information.

Scannen Sie den QR-Code und wählen Sie auf der Produktseite die Quicklinks Handbücher und Unterstützung, um die aktuellsten Informationen zu Handbücher.

Scannez le code QR et sélectionnez les liens rapides Manuals and Support sur la page du produit pour obtenir les informations les plus récentes sur le manuel.

Scannerizzare il codice QR e selezionare i Link veloci Manuali e Supporto dalla pagina del prodotto per le informazioni manuali più aggiornate.



EFL0350

## NOTICE

All instructions, warranties and other collateral documents are subject to change at the sole discretion of Horizon Hobby, LLC. For up-to-date product literature, visit [horizonhobby.com](http://horizonhobby.com) or [towerhobbies.com](http://towerhobbies.com) and click on the support or resources tab for this product.

## MEANING OF SPECIAL LANGUAGE

The following terms are used throughout the product literature to indicate various levels of potential harm when operating this product:

**WARNING:** Procedures, which if not properly followed, create the probability of property damage, collateral damage, and serious injury OR create a high probability of superficial injury.

**CAUTION:** Procedures, which if not properly followed, create the probability of physical property damage AND a possibility of serious injury.

**NOTICE:** Procedures, which if not properly followed, create a possibility of physical property damage AND little or no possibility of injury.



**WARNING:** Read the ENTIRE instruction manual to become familiar with the features of the product before operating. Failure to operate the product correctly can result in damage to the product, personal property and cause serious injury.

This is a sophisticated hobby product. It must be operated with caution and common sense and requires some basic mechanical ability. Failure to operate this Product in a safe and responsible manner could result in injury or damage to the product or other property. This product is not intended for use by children without direct adult supervision. Do not use with incompatible components or alter this product in any way outside of the instructions provided by Horizon Hobby, LLC. This manual contains instructions for safety, operation and maintenance. It is essential to read and follow all the instructions and warnings in the manual, prior to assembly, setup or use, in order to operate correctly and avoid damage or serious injury.

**AGE RECOMMENDATION: Not for children under 14 years. This is not a toy.**

## Safety Precautions and Warnings


As the user of this product, you are solely responsible for operating in a manner that does not endanger yourself and others or result in damage to the product or the property of others.

- Always keep a safe distance in all directions around your model to avoid collisions or injury. This model is controlled by a radio signal subject to interference from many sources outside your control. Interference can cause momentary loss of control.
- Always operate your model in open spaces away from full-size vehicles, traffic and people.
- Always carefully follow the directions and warnings for this and any optional support equipment (chargers, rechargeable battery packs, etc.).
- Always keep all chemicals, small parts and anything electrical out of the reach of children.
- Always avoid water exposure to all equipment not specifically designed and protected for this purpose. Moisture causes damage to electronics.
- Never place any portion of the model in your mouth as it could cause serious injury or even death.
- Never operate your model with low transmitter batteries.
- Always keep aircraft in sight and under control.
- Always use fully charged batteries.
- Always keep transmitter powered on while aircraft is powered.
- Always remove batteries before disassembly.
- Always keep moving parts clean.
- Always keep parts dry.
- Always let parts cool after use before touching.
- Always remove batteries after use.
- Always ensure failsafe is properly set before flying.
- Never operate aircraft with damaged wiring.
- Never touch moving parts.



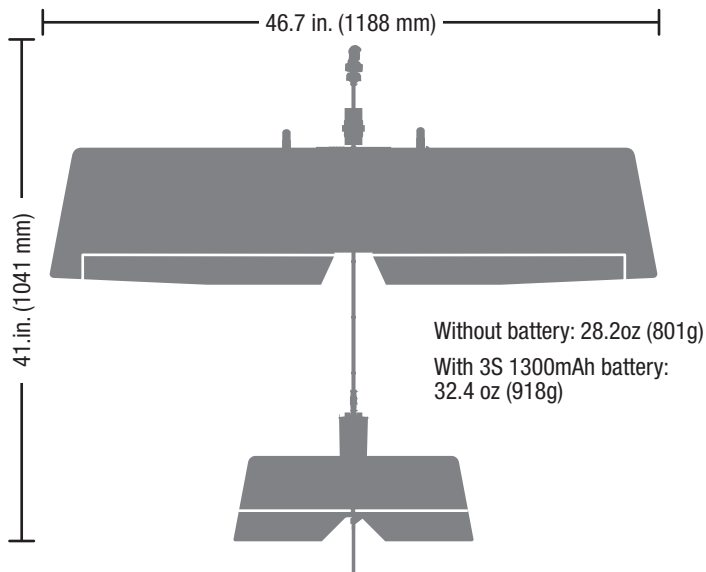
**WARNING AGAINST COUNTERFEIT PRODUCTS:** If you ever need to replace your Spektrum receiver found in a Horizon Hobby product, always purchase from Horizon Hobby, LLC or a Horizon Hobby authorized dealer to ensure authentic high-quality Spektrum product. Horizon Hobby, LLC disclaims all support and warranty with regards, but not limited to, compatibility and performance of counterfeit products or products claiming compatibility with DSM or Spektrum technology.

## Included / Recommended Equipment

	
<b>MOTOR:</b> 3513-1100Kv Outrunner Motor, 14 pole (SPMXAM2800)	<b>Included</b>
<b>ESC:</b> Avian 30-Amp Brushless Smart Lite ESC; 3S-4S, IC3 (SPMXAE30D)	<b>Installed</b>
<b>Servos:</b> A345SL 9g Sub-Micro Digital Servo: 60mm Lead (SPMSA345SL) Aileron: (1) Rudder: (1) Elevator: (1)	<b>Installed</b>
<b>Receiver:</b> AR630 DSMX 6-Channel AS3X & SAFE Receiver (SPMAR630)	<b>Installed</b>
<b>Recommended Battery*:</b> 3S 1300mAh 30C Li-Po (SPMX133S30)	<b>Required</b>
<b>Recommended Battery Charger:</b> S155 3-cell Li-Po battery charger (SPMCXC2050)	<b>Required</b>
<b>Recommended Transmitter:</b> Full range 4+ channel 2.4GHz with Spektrum DSMX®/DSM2 technology with adjustable Dual Rates.	<b>Required</b>

\*battery range: 2S-3S 1300-2200mAh LiPo battery

## Specifications



If you own this product, you may be required to register with the FAA. For up-to-date information on how to register with the FAA, please visit <https://faadronezone-access.faa.gov/#/>. For additional assistance on regulations and guidance on UAS usage, visit [knowbeforeyoufly.org/](http://knowbeforeyoufly.org/).

## Table of Contents

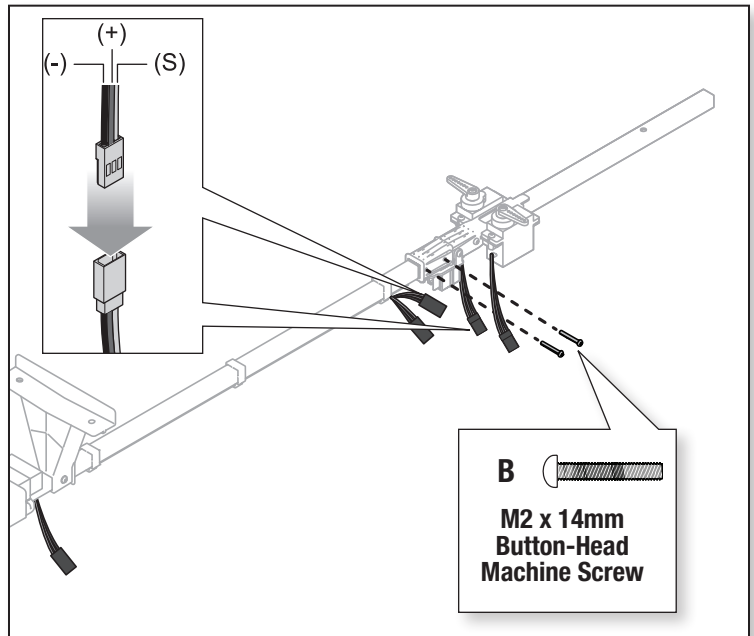
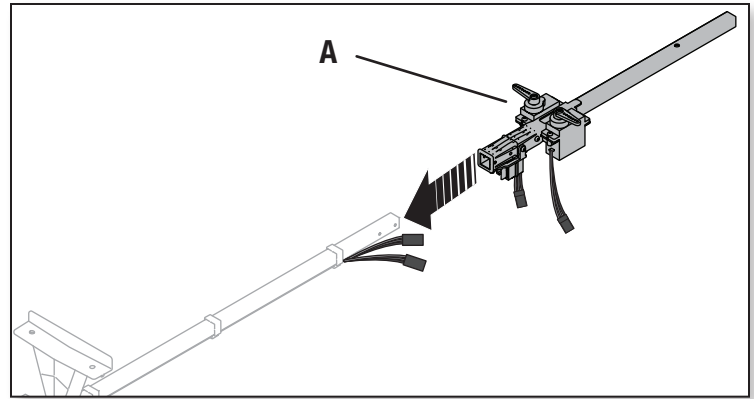
Specifications .....	3	Motor Service .....	18
Model Assembly .....	4	Servo Service .....	18
Transmitter Setup .....	9	Troubleshooting Guide AS3X .....	18
Battery Installation and ESC Arming .....	10	Troubleshooting Guide .....	19
Binding .....	11	Replacement Parts.....	20
SAFE® Select Switch Designation.....	12	Recommended Items.....	20
Integrated ESC Telemetry.....	12	Important Federal Aviation Administration (FAA) Information .....	20
Control Direction Test.....	13	Optional Parts .....	20
AS3X Response Test .....	14	Hardware.....	20
Control Surface Centering and Adjusting a Clevis .....	15	AMA National Model Aircraft Safety Code.....	21
Control Horn and Servo Arm Factory Settings.....	15	Limited Warranty .....	21
Dual Rates and Control Throws .....	15	Contact Information .....	22
Center of Gravity (CG) .....	16	FCC Information.....	22
SAFE Select Flying Tips.....	16	IC Information.....	22
In-Flight Trimming.....	16	Compliance Information for the European Union.....	22
Optional Two-Servo Aileron Setup .....	17		
Post Flight .....	18		

## Model Assembly

### Rear Fuselage Section Installation

1. Slide the two fuselage sections together until they click, connecting the front and rear fuselage sections.
2. Secure the sections together with the two included M2 x 14mm button head screws. (Use a #1 Phillips screwdriver)
3. The elevator servo plugs have a silver identifying mark. Align these marks and connect the elevator servo plug to the extension from the receiver. The wire colors will also align, ensuring correct polarity.
4. Connect the rudder servo plug to the extension from the receiver. These plugs have no silver mark, use the wire color to align them correctly.
5. Stack the connected plugs and insert them into the retainer.

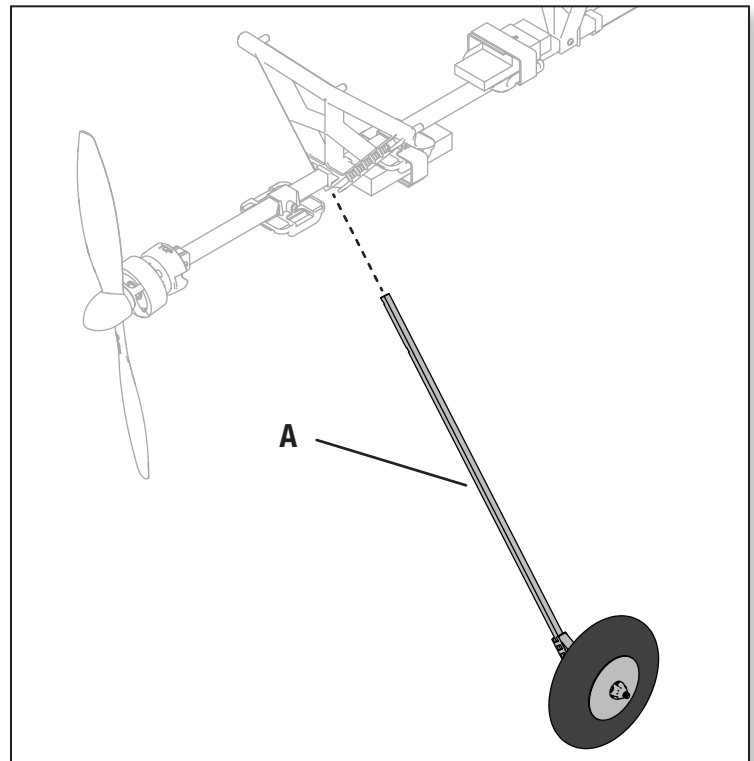
Disassemble in reverse order.

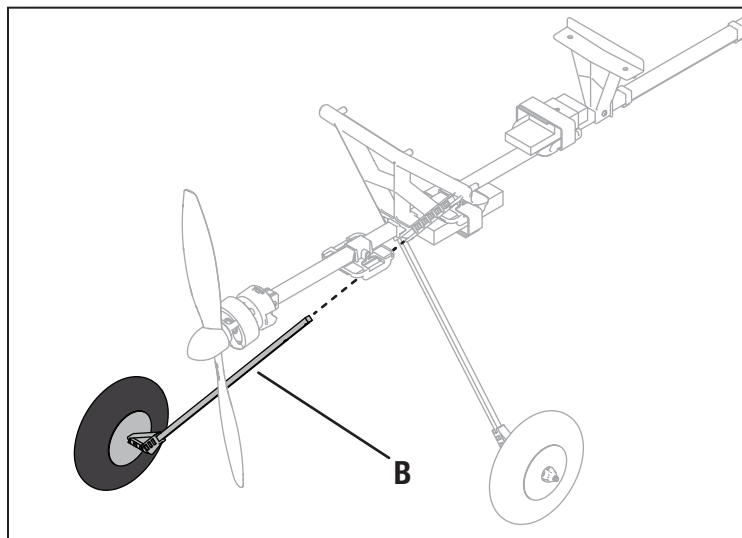


### Main Gear Installation

1. Slide one main gear strut (A) into the slot until it engages the retaining latch. Firm pressure is required to engage the retention latch.
2. Slide the remaining main gear strut (B) into the opposite slot until it latches.

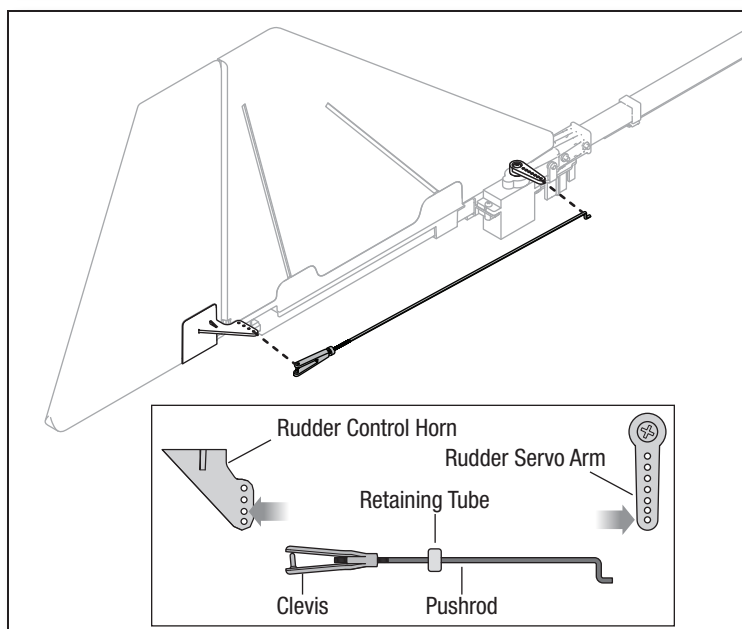
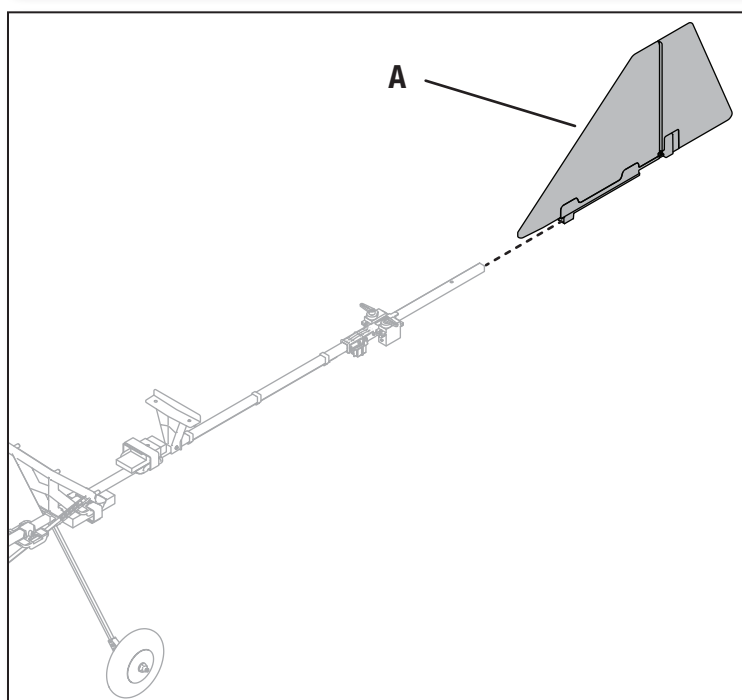
Disassemble in reverse order, using a tool such as a flat screwdriver to release the retention latch.





## Vertical Stabilizer Installation

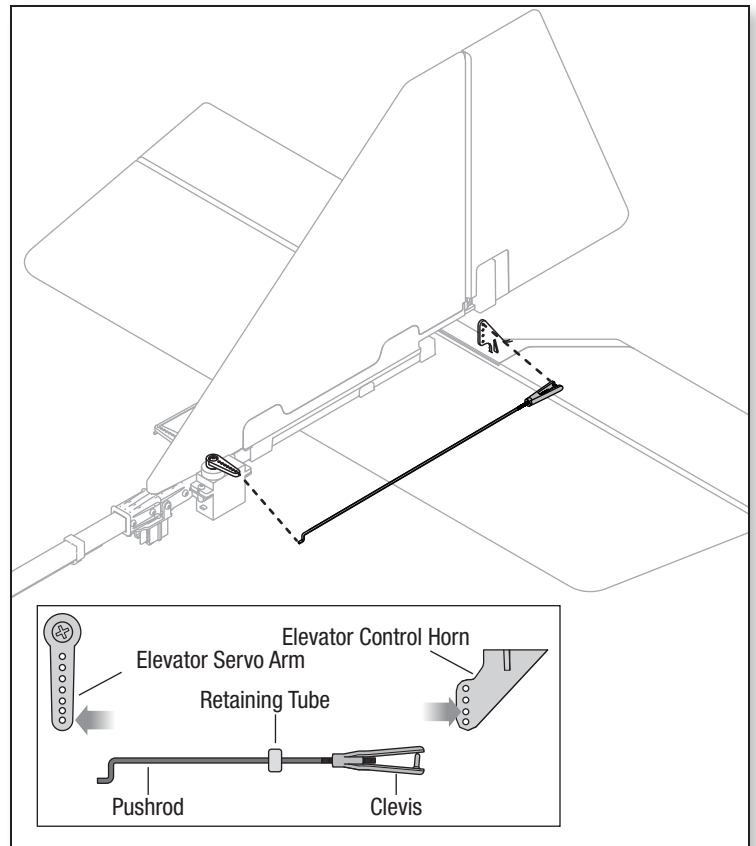
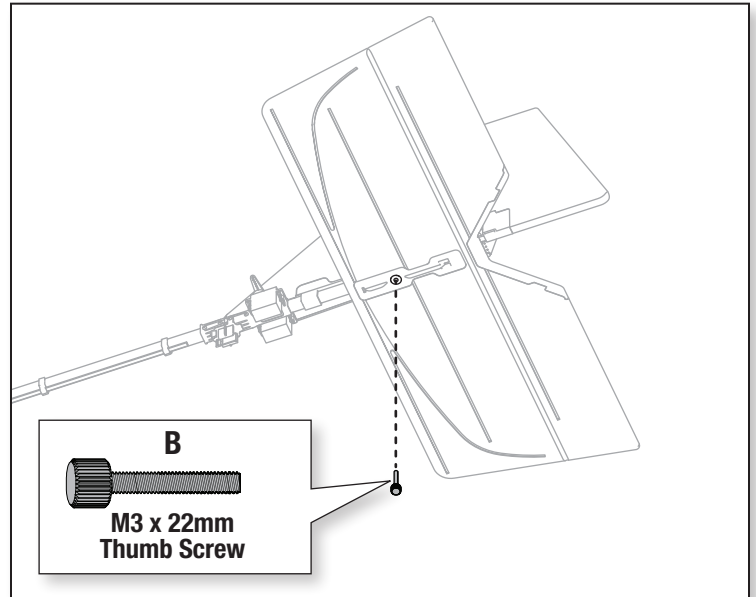
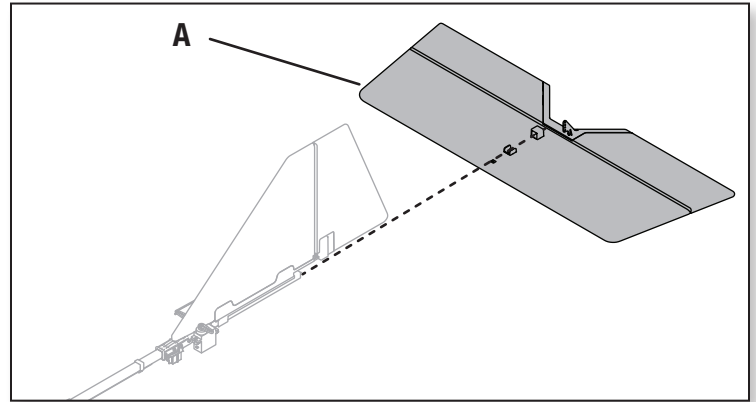
1. Slide the vertical stabilizer **(A)** on the rear fuselage tube until the holes align.
2. There are two pushrods in the parts bag for the rudder and elevator. Choose longer one and use it for the rudder.
3. Connect the 193mm rudder pushrod z-bend to the outermost hole in the servo arm.
4. Attach the clevis to the third outermost hole of the rudder control horn (see instructions for clevis connection).



## Horizontal Stabilizer Installation

1. Ensure the control horn is facing up, then slide the horizontal stabilizer (A) on the rear fuselage tube until the bottom screw holes align.
2. Secure the vertical and horizontal stabilizers using the included M3 x 22mm thumb screw (B).
3. Connect the 180mm elevator pushrod z-bend to the outermost hole in the servo arm.
4. Attach the clevis to the third outermost hole of the elevator control horn (see instructions for clevis connection).

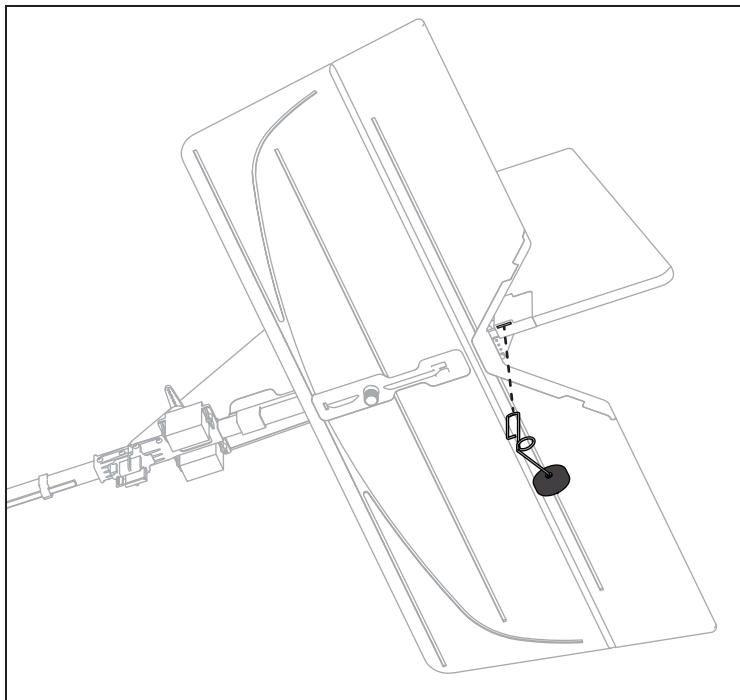
Disassemble in reverse order.



## Tail Wheel Installation

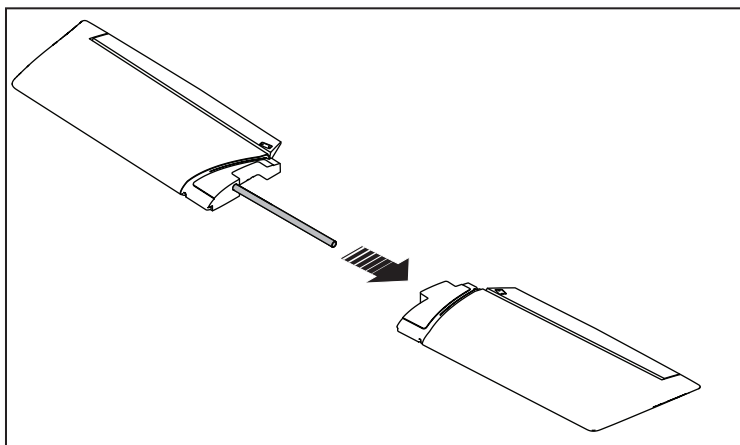
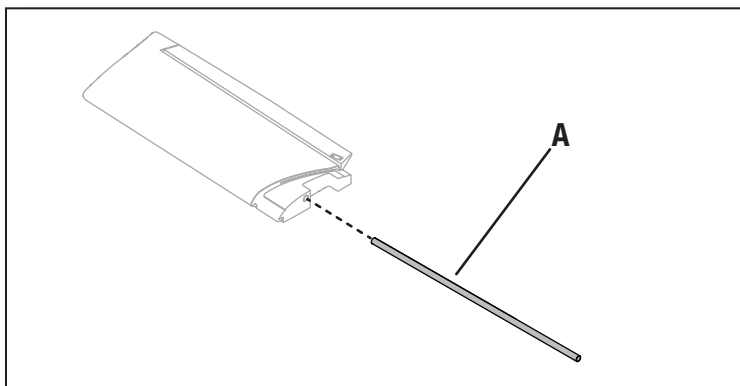
1. Align the tail wheel wire with the recess in the bottom of the rudder.
2. Press the tail wheel wire into the recess until the wire clicks into place.

Disassemble in reverse order.



## Wing Installation

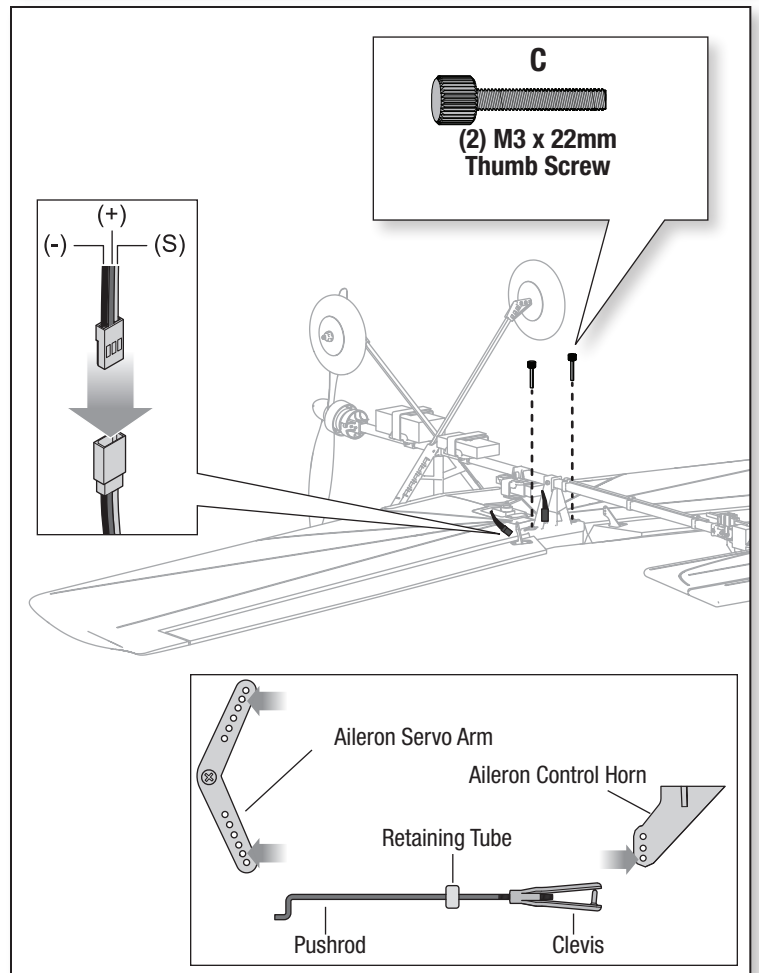
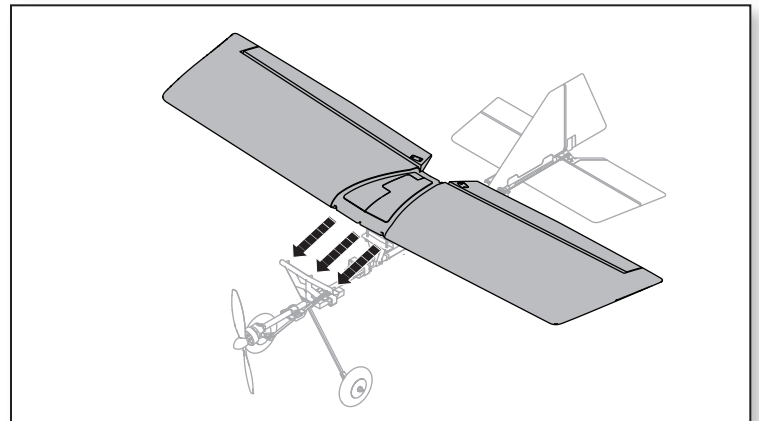
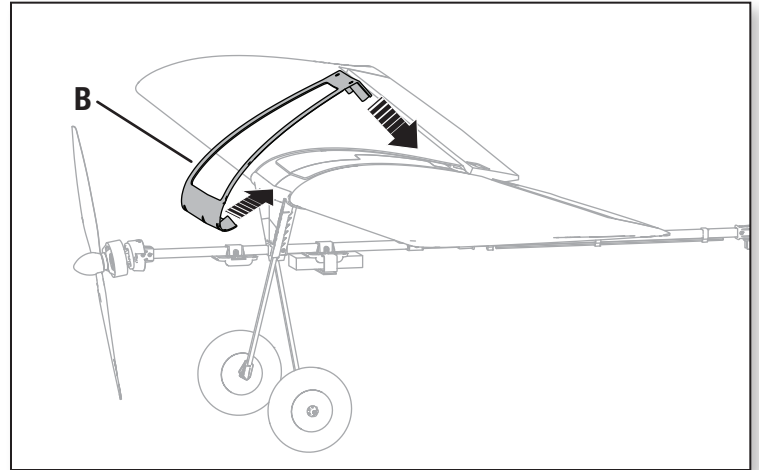
1. Slide the wing tube (A) into the wing.
2. Slide the two wing halves together.



## Wing Installation

1. Align and place the wing retainer **(B)** on top of the wing.
2. Align the wing with the three pins on the front wing mount, then slide the wing forward into place.
3. Secure the wing to mounts with two included M3 x 22mm thumb screws **(C)**
4. Connect the aileron servo connector to the servo extension from the receiver.
5. Connect the aileron pushrods to the control horns in the indicated locations

Disassemble in reverse order.





## Transmitter Setup

**WARNING:** Enable the throttle cut feature. Always engage throttle cut before approaching the aircraft.

**WARNING:** Never assign Aux 2 to SAFE Select during transmitter setup with any model transmitter. If SAFE Select is assigned to Aux 2, the throttle channel/motor will reverse in flight once SAFE is enabled. Motor reversing is assigned to Aux 2/channel 7 by default in the Smart ESC.

**IMPORTANT:** After you set up your model, always rebind the transmitter and receiver to set the desired failsafe positions.

**IMPORTANT:** The included receiver has been programmed specifically for operation in this aircraft.

† Some of the terminology and function locations used in the iX12, iX14 and iX20 programming may be slightly different than other Spektrum AirWare™ radios. The names given in parentheses correspond to the iX12, iX14 and iX20 programming terminology. Consult your transmitter manual for specific information about programming your transmitter.

### Pre-Programmed Transmitter Setup Files

To save time when setting up your transmitter for this model, visit [www.SpektrumRC.com](http://www.SpektrumRC.com) to download the latest pre-programmed transmitter setup files. Locate the file for this model using the item number. Download the correct model file and install it in your transmitter using an SD card.

1. Go to SpektrumRC.com
2. Hover over Support and click on Support Hub from the menu that appears.
3. Scroll and select your transmitter from the list.
4. Scroll to Quick Links and click on Manuals & Support.
5. Click on the Transmitter Preset Download link.
6. Follow preset model files import instruction for the preset model files.

### Dual Rates

Low rate is recommended for the initial flights.

**NOTICE:** To ensure AS3X® technology functions properly, do not lower rate values below 50%. If lower rates are desired, manually adjust the position of the pushrods on the servo arm.

**NOTICE:** If oscillation occurs at high speed, refer to the Troubleshooting Guide for more information.

### Computerized Transmitter Setup

Start all transmitter programming with a blank ACRO model (perform a model reset), then name the model.

	2 Position switch	3 Position switch
Set Dual Rates to	HIGH 100%	HIGH 100%
		MID 70%
	LOW 70%	LOW 50%
Set Servo Travel to	100%	
Set Throttle Cut to	-100%	
DX6e †	1. Go to the SYSTEM SETUP (Model Utilities)†	
DX6 † (Gen2)	2. Set MODEL TYPE: AIRPLANE	
DX7 † (Gen2)		
NX6 †		
DX8e		
DX8 (Gen2)		
DX9		
DX10t		
DX18	3. Set AIRCRAFT TYPE: (Model Setup, Aircraft Type)†:	
DX20	WING: Normal	
iX12 †		
iX20 †		
NX6		
NX8		
NX10		

### Exponential

After first flights, you may adjust exponential in your transmitter.

### Transmitter Telemetry Setup

If the transmitter that you intend to use with this aircraft is not displaying telemetry data, visit [www.SpektrumRC.com](http://www.SpektrumRC.com) and update your firmware. With the latest firmware installed on your transmitter the telemetry option should now be functional on your transmitter.

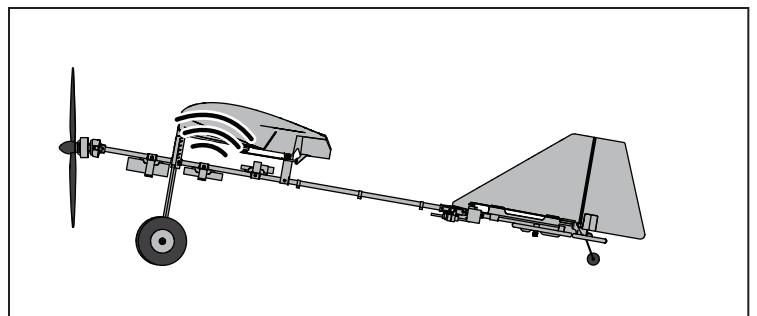
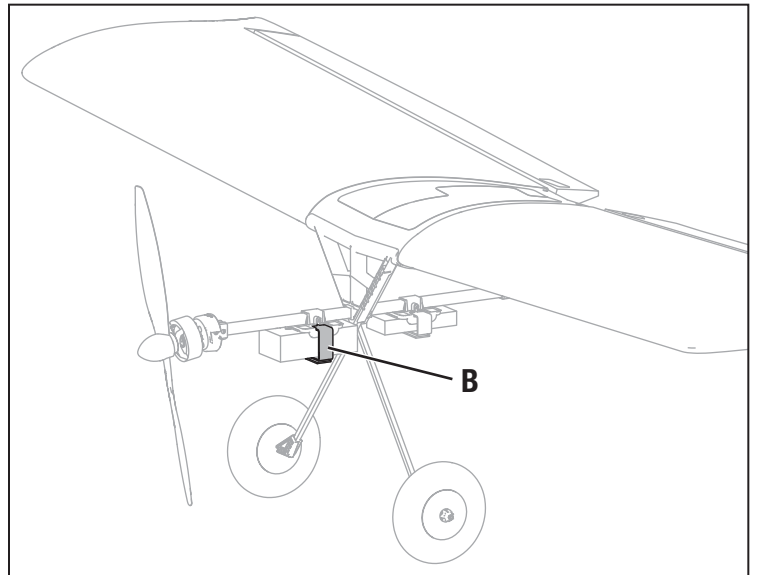
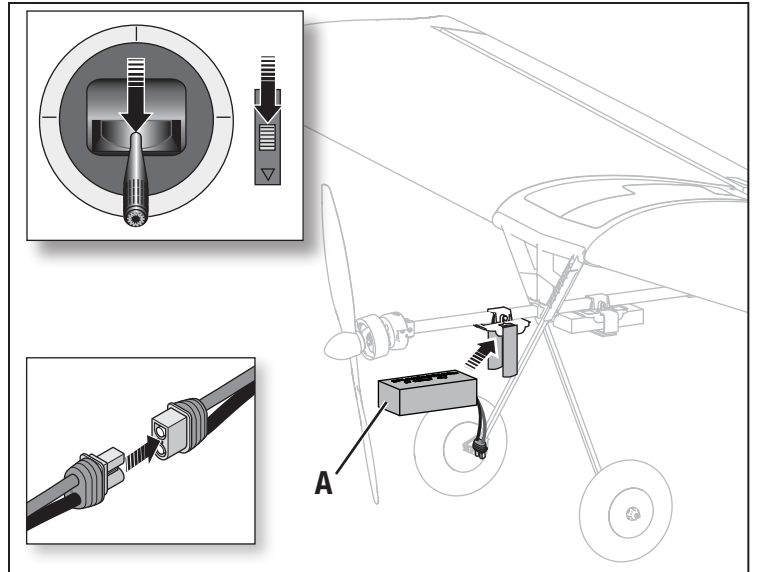
## Battery Installation and ESC Arming

### Battery Selection

We recommend the 3S 1300mAh 30C Smart Li-Po Battery. Refer to the Optional Parts List for other recommended batteries. If using a battery other than those listed, the battery should be within the range of capacity, dimensions and weight of the Spektrum Li-Po battery packs to fit in the fuselage.

1. Lower the throttle and throttle trim to the lowest settings. Power on the transmitter, then wait 5 seconds.
  2. Install a fully charged battery **(A)** in the battery tray as shown and secure it using the hook and loop straps **(B)**.
  3. Connect the battery to the ESC.
  4. Keep the aircraft immobile and away from wind or the system will not initialize.
- The ESC will sound a series of tones (refer to step 6 of the binding instructions for more information).
  - An LED will light on the receiver.

**CAUTION:** Always keep hands away from the propeller. When armed, the motor will turn the propeller in response to any throttle movement.



## Binding

### General Binding Tips and Failsafe

- The included receiver has been specifically programmed for operation of this aircraft. Refer to the receiver manual for correct setup if the receiver is replaced.
- Keep away from large metal objects while binding.
- Do not point the transmitter's antenna directly at the receiver while binding.
- The orange LED on the receiver will flash rapidly when the receiver enters bind mode.
- Once bound, the receiver will retain its bind settings for that transmitter until you re-bind.
- If the receiver loses transmitter communication, the failsafe will activate. Failsafe moves the throttle channel to low throttle. Pitch and roll channels move to actively stabilize the aircraft in a descending turn.
- If problems occur, refer to the troubleshooting guide or if needed, contact the appropriate Horizon Product Support office.

### Transmitter and Receiver Binding / Enabling SAFE Select

The BNF Basic version of this airplane includes SAFE Select technology, enabling you to choose the level of flight protection. SAFE mode includes angle limits and automatic self leveling. AS3X mode provides the pilot with a direct response to the control sticks. SAFE Select is enabled or disabled during the bind process.

With SAFE Select disabled the aircraft is always in AS3X mode. With SAFE Select enabled the aircraft will be in SAFE Select mode all the time, or you can assign a switch to toggle between SAFE Select and AS3X modes.

**IMPORTANT:** Before binding, read the transmitter setup section in this manual and complete the transmitter setup table to ensure your transmitter is properly programmed for this aircraft.

**IMPORTANT:** Move the transmitter flight controls (rudder, elevators, and ailerons) and the throttle trims to neutral. Move the throttle to low before and during binding.

You can use either the bind button on the receiver or the conventional bind plug to complete the binding process.

A bind plug extension has been provided in BNF Basic version models. It will be labeled and located in the battery or radio compartment for easy access.

#### Using Bind Button

##### SAFE Select Enabled

**SAFE Select Enabled:** The control surfaces cycle back and forth **twice** with a slight pause at neutral position every time the receiver is powered on.

#### SAFE Select Disabled

**SAFE Select Disabled:** The control surfaces cycle back and forth **once** every time the receiver is powered on.

#### Using Bind Plug

##### SAFE Select Enabled

**SAFE Select Enabled:** The control surfaces cycle back and forth **twice** with a slight pause at neutral position every time the receiver is powered on.

#### SAFE Select Disabled

**SAFE Select Disabled:** The control surfaces cycle back and forth **once** every time the receiver is powered on.

SAFE Select can also be activated via Forward Programming in compatible transmitters.

## SAFE® Select Switch Designation

### Stick Inputs

Once SAFE Select is enabled, you can choose to fly in SAFE mode full-time, or assign a switch. Any switch on any channel between 5 and 9 can be used on your transmitter.

If the aircraft is bound with SAFE Select disabled, the aircraft will be in AS3X mode exclusively.

**CAUTION:** Keep all body parts well clear of the propeller and keep the aircraft securely restrained in case of accidental throttle activation.

**IMPORTANT:** To be able to assign a switch, first verify:

- The aircraft was bound with SAFE Select enabled.
- Your choice for the SAFE Select switch is assigned to a channel between 5 and 9 (Gear, Aux1-4), and travel is set at 100% in each direction.
- The aileron, elevator, rudder and throttle direction are set to normal, not reverse.
- The aileron, elevator, rudder and throttle are set to 100% travel. If dual rates are in use, the switches need to be in the 100% position.

See your transmitter manual for more information about assigning a switch to a channel.

### Forward Programming

Assign the SAFE Select channel through forward programming on your compatible Spektrum transmitter.



For more information about setting SAFE Select and using Forward Programming, please refer to the following link for a detailed video:

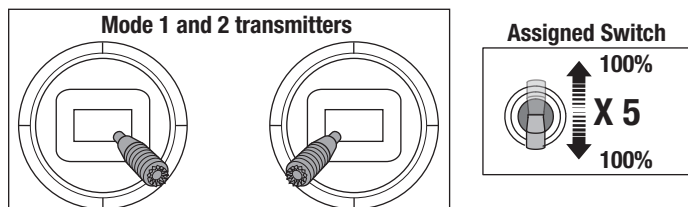
<https://www.youtube.com/watch?v=o-46P066cik>

### Assigning a Switch

1. Power on the transmitter.
2. Power on the aircraft.
3. Hold both transmitter sticks to the inside bottom corners, and toggle the desired switch 5 times quickly (1 toggle = full up and down).
4. The control surfaces of the aircraft will move, indicating the switch has been selected.

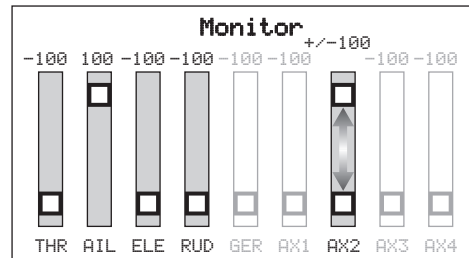
Repeat the process to assign a different switch or to deactivate the current switch.

### SAFE Select Switch Assignment Stick Positions



**TIP:** Use the channel monitor to verify channel movement.

This example of the channel monitor shows the stick positions for assigning a switch, the switch selection on Aux2, and +/- 100% travel on the switch.



### Forward Programming SAFE Select Setup

DX series, NX series, iX series	1. Begin with the transmitter bound to the receiver.
	2. Power ON the transmitter.
	3. Assign a switch for SAFE Select that is not already in use for another function. Use any open channel between 5 and 9 (Gear, Aux1-4).
	4. Set switch H (throttle cut) to prevent accidental motor operation.
	5. Power ON the aircraft. A signal bar appears on your transmitter's main screen when the telemetry information is being received.
	6. Go to the FUNCTION LIST (Model Setup)
	7. Select Forward Programming; Select Gyro Settings, Choose SAFE Select to enter the menu.
	8. Set SAFE Select Ch: To the channel you have chosen for SAFE Select.
	9. Set AS3X and SAFE On or Off as desired for each switch position.

## Integrated ESC Telemetry

This aircraft includes telemetry between the ESC and receiver, which can provide information including RPM, voltage, motor current, throttle setting (%), and FET (speed controller) temperature.

For more information about compatible transmitters, firmware updates, and how to use the telemetry technology on your transmitter, visit [www.SpektrumRC.com](http://www.SpektrumRC.com).

### Telemetry Setup

DX series, NX series, iX series	1. Begin with the transmitter bound to the receiver.
	2. Power ON the transmitter.
	3. Set switch H (throttle cut) to prevent accidental motor operation.
	4. Power ON the aircraft. A signal bar appears on your transmitter's main screen when the telemetry information is being received.
	5. Go to the FUNCTION LIST (Model Setup)
	6. Select TELEMETRY; Smart ESC
	7. Set Total Cells: 3
	8. Set LVC Alarm: 3.4V Set Alarm; Voice/Vibe
	9. Set pole count; 14 pole

## Control Direction Test

Switch on the transmitter and connect the battery. Use the transmitter to operate the aileron, elevator and rudder controls. View the aircraft from the rear when checking the control directions.

This model has a built in aileron to rudder mix, when the ailerons are deflected the rudder will move.

### Elevator

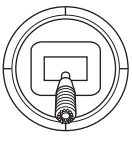
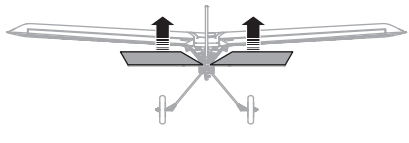
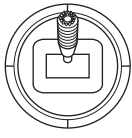
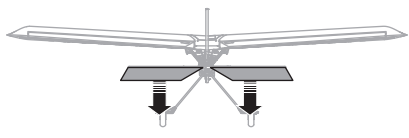
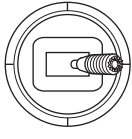
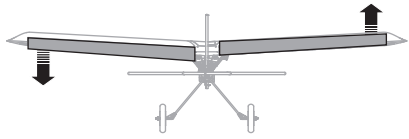
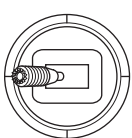
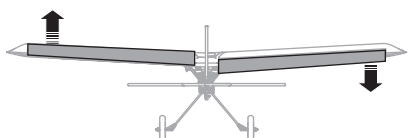
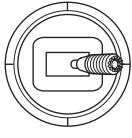
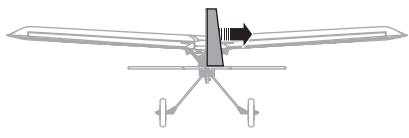
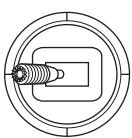
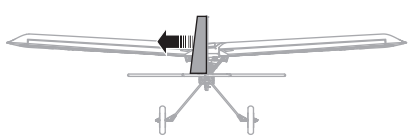
1. Pull the elevator stick back. The elevators should move up, which will cause the aircraft to pitch up.
2. Push the elevator stick forward. The elevators should move down, which will cause the aircraft to pitch down.

### Ailerons

1. Move the aileron stick to the right. The right aileron should move up and the left aileron down, which will cause the aircraft to bank right.
2. Move the aileron stick to the left. The left aileron should move up and the right aileron down, which will cause the aircraft to bank left.

### Rudder

1. Move the rudder stick to the right. The rudder should move to the right, which will cause the aircraft to yaw right.
2. Move the rudder stick to the left. The rudder should move to the left, which will cause the aircraft to yaw left.

	Transmitter Command	Control Surface Response
Elevator		
		
Aileron		
		
Rudder		
		

## AS3X Response Test

This test ensures that the AS3X® control system is functioning properly. Assemble the aircraft and bind your transmitter to the receiver before performing this test.

1. Raise the throttle just above 25%, then lower the throttle to activate AS3X.

**CAUTION:** Keep all body parts, hair and loose clothing away from a moving propeller, as these items could become entangled.

2. Move the entire aircraft as shown and ensure the control surfaces move in the direction indicated in the graphic. If the control surfaces do not respond as shown, do not fly the aircraft. Refer to the receiver manual for more information.

Once the AS3X system is active, control surfaces may move rapidly. This is normal. AS3X remains active until the battery is disconnected.

Due to different effects of torque, lift, and drag some aircraft require trim changes with different speeds and throttle settings. Mixes are preloaded into the receiver to compensate for these changes. The mixes become active the first time the throttle is raised above 25%. The control surfaces may be offset slightly at different throttle settings after the first time throttle is raised. Trimming the plane in flight should be done at 80-100% throttle for best results.

	Aircraft movement	AS3X Reaction
Elevator		
Aileron		
Rudder		

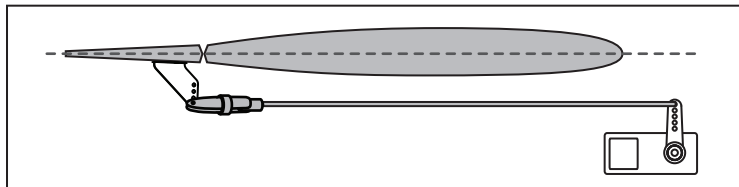
## Control Surface Centering and Adjusting a Clevis

**IMPORTANT:** Perform the Control Direction Test before performing control surface centering.

While SAFE is inactive, mechanically center the control surfaces.

**IMPORTANT:** Correct operation of the SAFE system requires sub-trim and trim at 0.

After binding a transmitter to the receiver, set the trims and sub-trims to 0, ensure the servo arms are in the correct positions, then adjust the linkages to center the control surfaces.



### Remove the clevis

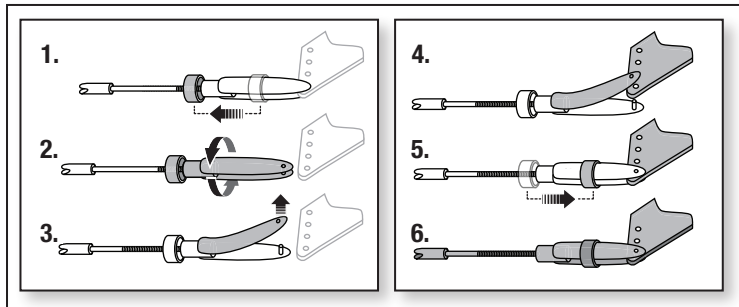
1. Slide the retaining tube off the clevis.
2. Carefully spread the clevis and remove the clevis pin from the control horn.

### Adjust the clevis

3. Turn the clevis to adjust the length of the pushrod.

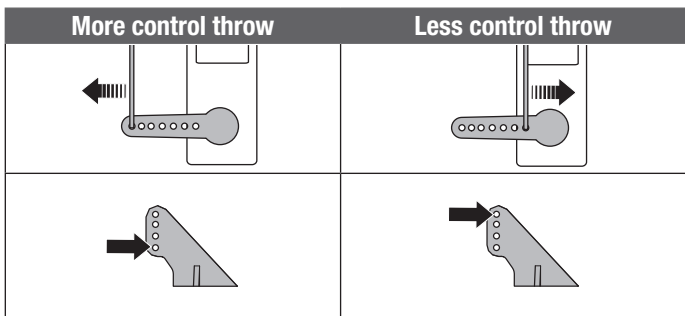
### Re-install the clevis

4. Carefully spread the clevis, then insert the clevis pin into the specified hole in the control horn.
5. Move the retaining tube to secure the clevis on the control horn.



## Control Horn and Servo Arm Factory Settings

The table to the right shows the factory settings for the control horns and servo arms. Fly the aircraft at factory settings before making changes.



	Control Horns	Servo Arms
Elevator		
Rudder		
Ailerons		

## Dual Rates and Control Throws

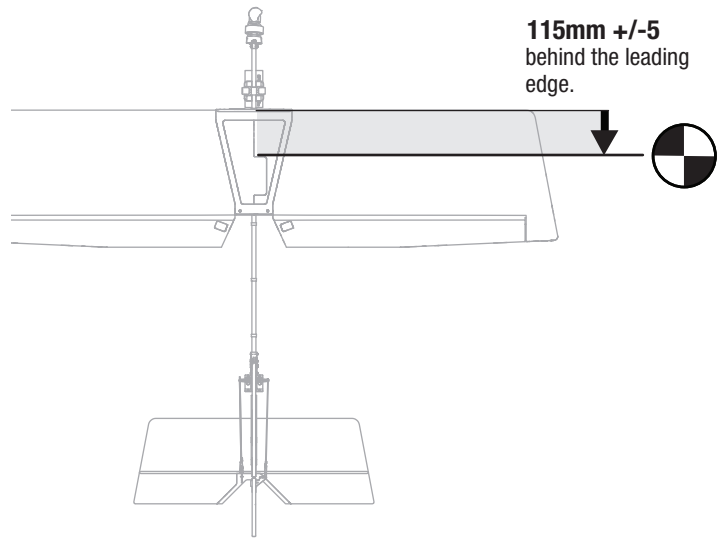
Program your transmitter to set the rates and control throws to the values given. These values have been tested and are a good starting point to achieve successful flight.

	High Rate	Low Rate
Aileron	▲ = 12mm ▼ = 12mm	▲ = 8mm ▼ = 8mm
Elevator	▲ = 15mm ▼ = 15mm	▲ = 11mm ▼ = 11mm
Rudder	▶ = 25mm ◀ = 25mm	▶ = 15mm ◀ = 15mm

## Center of Gravity (CG)

The CG location is measured from the leading edge of the wing. This CG location has been determined with the recommended 3S 1300mAh Li-Po battery (SPMX133S30) installed to the front edge of the battery tray. Adjust the battery forward or aft as needed to achieve the proper CG location.

**CAUTION:** Install the battery but do not arm the ESC while checking the CG. Personal injury may result.



## SAFE Select Flying Tips

When flying in SAFE Select mode the aircraft will return to level flight any time the aileron and elevator controls are at neutral. Applying aileron or elevator control will cause the airplane to bank, climb or dive. The amount the stick is moved will determine the attitude the airplane flies. Holding full control will push the aircraft to the pre-determined bank and roll limits, but it will not go past those angles.

When flying with SAFE Select, it is normal to hold the control stick deflected with moderate aileron input when flying through a turn. To fly smoothly with SAFE Select, avoid making frequent control changes and don't attempt to correct for minor deviations. Holding deliberate control inputs will command the aircraft to fly at a specific angle, and the model will make all corrections to maintain that flight attitude.

When flying with SAFE Select, throttle will make the aircraft climb or descend. Full throttle will cause the aircraft to pitch up and climb slightly. Mid throttle will keep the airplane flying level. Low throttle will cause the airplane to descend slightly nose-down.

Return the elevator and aileron controls to neutral before switching from SAFE Select mode to AS3X mode. If you do not neutralize controls when switching into AS3X mode, the control inputs used for SAFE Select mode will be excessive for AS3X mode and the aircraft will react immediately.

## Differences between SAFE Select and AS3X modes

This section is generally accurate but does not take into account flight speed, battery charge status, and other limiting factors.

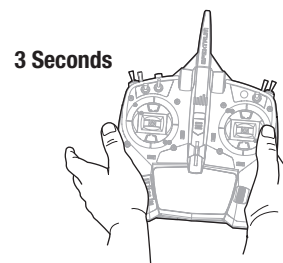
		SAFE Select	AS3X
Control Input	Control stick is neutralized	Aircraft will self level	Aircraft will continue to fly at its present attitude
	Holding a small amount of control	Aircraft will bank or pitch to a moderate angle and maintain the attitude	Aircraft will continue to pitch or roll slowly
	Holding full control	Aircraft will bank or pitch to the predetermined angle limits and maintain the attitude	Aircraft will continue to roll or pitch rapidly
	Throttle	Full throttle: Climb Neutral: Level flight Low throttle: Descend	Throttle will not affect flight response.

## In-Flight Trimming

During your first flight, trim the aircraft for level flight at 80-100% throttle. Make small trim adjustments with your transmitter's trim switches to achieve straight and level flight.

After adjusting trim do not touch the control sticks for 3 seconds. This allows the receiver to learn the correct settings to optimize AS3X performance.

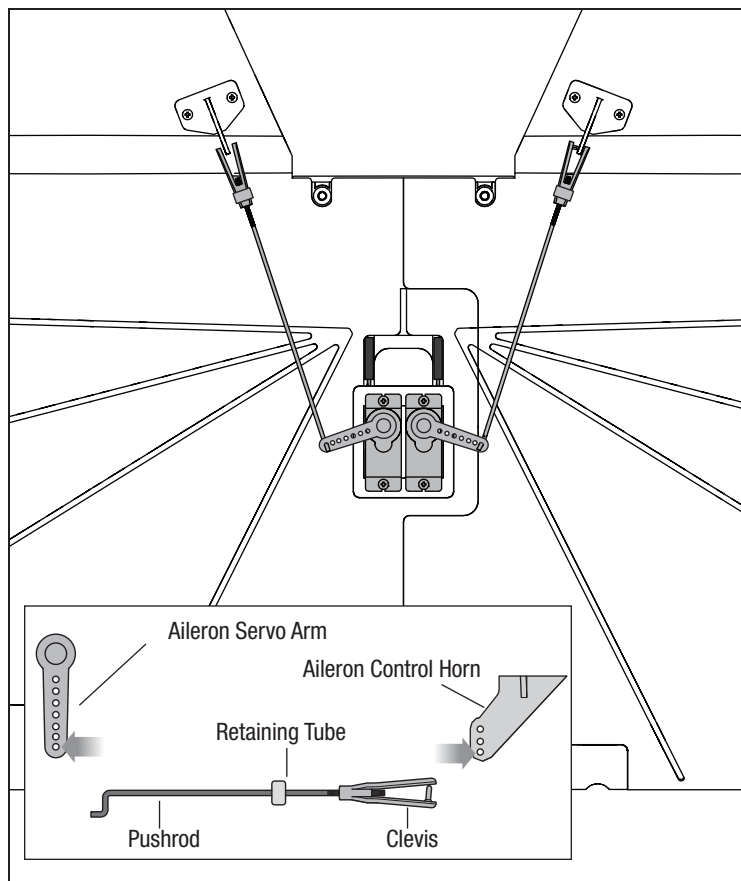
Failure to do so could affect flight performance.





## Optional Two-Servo Aileron Setup

1. Remove the wing from the aircraft.
2. Remove the servo arm screw and the installed servo arm.
3. Remove the servo arm from the z-bend of each pushrod.
4. Remove the 2 screws securing the servo to the wing.
5. Reposition the servo to the left of the servo pocket, aligning it with the left position screw holes.
6. Route the servo wire and connector out of the servo pocket and secure the servo with the 2 screws.
7. Install a second aileron servo (SPMSA345SL, not included) in the right servo position in the servo pocket.
8. Route the servo plug and connector in the right channel exiting the servo pocket and align the screws with screw holes and secure in place.
9. Connect the right servo into channel 2 and the left servo into channel 6 of the receiver.
10. In your transmitter System Setup change Aircraft Type to Dual Aileron.
11. Connect a battery to the aircraft and power ON the aircraft to center the servos.
12. Connect the z-bend of the control linkages to the outermost hole of the new servo horn (EFL0370, required and not included). Repeat for the other servo horn.
13. Install the servo horn on the servo as close to 90 degrees as possible and secure with screw.
14. Install the clevis end of the new linkage to outermost hole of the aileron control horn.
15. Ensure the aileron control surfaces are centered, if necessary adjust the pushrod mechanically to center the aileron.
16. Install the wing on the fuselage.



### Computerized Transmitter Setup

Start all transmitter programming with a blank ACRO model (perform a model reset), then name the model.

	2 Position switch	3 Position switch
Set Dual Rates to	HIGH 100%	HIGH 100%
	LOW 70%	MID 70%
Set Servo Travel to	100%	LOW 50%
Set Throttle Cut to	-100%	

DX6e †	1. Go to the SYSTEM SETUP (Model Utilities)†
DX6 †(Gen2)	2. Set MODEL TYPE: AIRPLANE
DX7 †(Gen2)	
NX6 †	
DX8e	
DX8 (Gen2)	
DX9	
DX10t	
DX18	
DX20	
iX12 †	
iX20 †	
NX6	
NX8	
NX10	
	3. Set AIRCRAFT TYPE: (Model Setup, Aircraft Type)†: WING: Dual Aileron

## Post Flight

1. Disconnect the flight battery from the ESC (required for safety and battery life).
2. Power OFF the transmitter.
3. Remove the flight battery from the aircraft.
4. Repair or replace all damaged parts.

5. Store the flight battery apart from the aircraft and monitor the battery charge.
6. Make note of the flight conditions and flight results, planning for future flights.

## Motor Service

**CAUTION:** Always disconnect the flight battery before performing motor service.

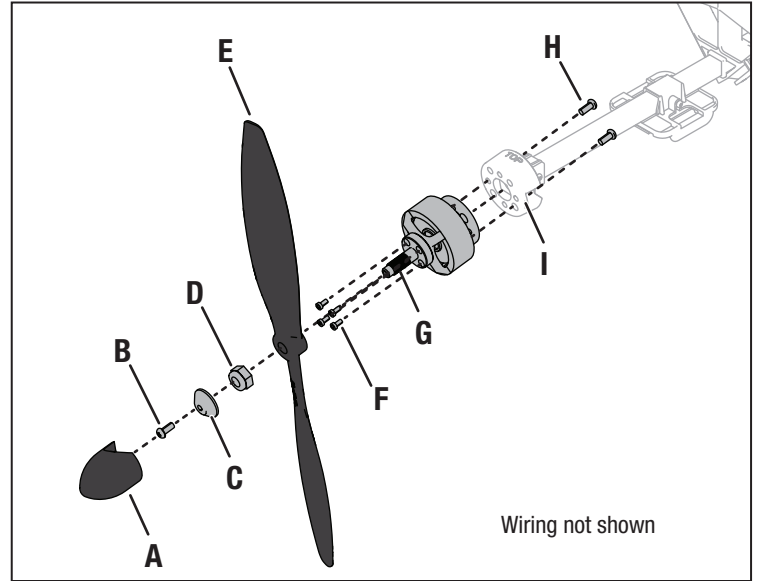
### Disassembly

1. Remove the spinner (A), screw (B), spinner retainer (C), propeller nut (D) and propeller (E).
2. Remove the 4 screws (F) from the propeller shaft (G).
3. Remove the propeller shaft from the prop adapter.
4. Remove the 2 screws (H) from the motor mount (I) and the fuselage.
5. Disconnect the motor wires from the ESC wires.

### Assembly

Assemble in reverse order.

- Correctly align and connect the motor wire colors with the ESC wires.
- Install the propeller with the size numbers (11 x 5.5) facing forward.
- Tighten the propeller nut using a 10mm wrench.
- Push the rubber spinner back on to the plastic spinner retainer.



## Servo Service

Control Surface	Replacement Servo	Description
Aileron (1)	SPMSA345SL	A345SL 9g Sub-Micro Digital Servo
Elevator (1)		
Rudder (1)		

## Troubleshooting Guide AS3X

Problem	Possible Cause	Solution
Oscillation	Damaged propeller or spinner	Replace propeller or spinner
	Imbalanced propeller	Balance the propeller.
	Motor vibration	Replace parts or correctly align all parts and tighten fasteners as needed
	Loose receiver	Align and secure receiver in fuselage
	Loose aircraft controls	Tighten or otherwise secure parts (servo, arm, clevis, horn and control surface)
	Worn parts	Replace worn parts (especially propeller, spinner or servo)
	Irregular servo movement	Replace servo
Inconsistent flight performance	Trim is not at neutral	If you adjust trim more than 8 clicks, adjust the clevis to remove trim
	Sub-Trim is not at neutral	No Sub-Trim is allowed. Adjust the servo linkage
	Aircraft was not kept immobile for 5 seconds after battery connection	With the throttle stick in lowest position. Disconnect battery, then reconnect battery and keep the aircraft still for 5 seconds
Incorrect response to the AS3X Control Direction Test	Incorrect direction settings in the receiver, which can cause a crash	DO NOT fly. Contact Product Support for a solution.
Aircraft will not respond to throttle but responds to other controls	Throttle not at idle and/or throttle trim too high	Reset controls with throttle stick and throttle trim at lowest setting
	Throttle servo travel is lower than 100%	Make sure throttle servo travel is 100% or greater
	Throttle channel is reversed	Reverse throttle channel on transmitter
	Motor disconnected from ESC	Make sure motor is connected to the ESC

## Troubleshooting Guide

Problem	Possible Cause	Solution
Extra propeller noise or extra vibration	Damaged propeller and spinner, prop adapter or motor	Replace damaged parts
	Propeller is out of balance	Balance or replace propeller
	Prop nut is too loose	Tighten the prop nut
Reduced flight time or aircraft underpowered	Flight battery charge is low	Completely recharge flight battery
	Propeller installed backwards	Install propeller with numbers facing forward
	Flight battery damaged	Replace flight battery and follow flight battery instructions
	Flight conditions may be too cold	Make sure battery is warm before use
	Battery capacity too low for flight conditions	Replace battery or use a larger capacity battery
Aircraft will not Bind (during binding) to transmitter	Transmitter too near aircraft during binding process	Move powered transmitter a few feet from aircraft, disconnect and reconnect flight battery to aircraft
	Aircraft or transmitter is too close to large metal object, wireless source or another transmitter	Move aircraft and transmitter to another location and attempt binding again
	The bind plug is not installed correctly in the bind port	Install bind plug in bind port and bind the aircraft to the transmitter
	Flight battery/transmitter battery charge is too low	Replace/recharge batteries
	Bind switch or button not held long enough during bind process	Power off transmitter and repeat bind process. Hold transmitter bind button or switch until receiver is bound
Aircraft will not connect (after binding) to transmitter	Transmitter too near aircraft during connecting process	Move powered transmitter a few feet from aircraft, disconnect and reconnect flight battery to aircraft
	Aircraft or transmitter is too close to large metal object, wireless source or another transmitter	Move aircraft and transmitter to another location and attempt connecting again
	Bind plug left installed in bind port	Rebind transmitter to the aircraft and remove the bind plug before cycling power
	Aircraft bound to different model memory (ModelMatch™ radios only)	Select correct model memory on transmitter
	Flight battery/Transmitter battery charge is too low	Replace/recharge batteries
	Transmitter may have been bound to a different aircraft using different DSM protocol	Bind aircraft to transmitter
Control surface does not move	Control surface, control horn, linkage or servo damage	Replace or repair damaged parts and adjust controls
	Wire damaged or connections loose	Do a check of wires and connections, connect or replace as needed
	Transmitter is not bound correctly or the incorrect airplanes was selected	Re-bind or select correct airplanes in transmitter
	Flight battery charge is low	Fully recharge flight battery
	BEC (Battery Elimination Circuit) of the ESC is damaged	Replace ESC
Controls reversed	Transmitter settings are reversed	Perform the Control Direction Test and adjust the controls on transmitter appropriately
Motor pulses then motor loses power	ESC uses default soft Low Voltage Cutoff (LVC)	Recharge flight battery or replace battery that is no longer performing
	Weather conditions might be too cold	Postpone flight until weather is warmer
	Battery is old, worn out, or damaged	Replace battery
	Battery C rating might be too low	Use recommended battery

## Replacement Parts

Part #	Description
EFL0351	Right Wing: Slow Ultra Stick
EFL0352	Left Wing: Slow Ultra Stick
EFL0353	Wing Joiner: Slow Ultra Stick
EFL0354	Wing Tube: Slow Ultra Stick
EFL0355	Thumb Screw Set: Slow Ultra Stick
EFL0356	Front Wing Support: Slow Ultra Stick
EFL0357	Rear Wing Support: Slow Ultra Stick
EFL0358	Mounting Tray: Slow Ultra Stick
EFL0359	Motor Mount: Slow Ultra Stick
EFL0360	Rubber Spinner: Slow Ultra Stick
EFL0361	Propeller Adapter: Slow Ultra Stick
EFL0362	Landing Gear Set: Slow Ultra Stick
EFL0363	Control Horn Set: Slow Ultra Stick
EFL0364	Control Link Set: Slow Ultra Stick
EFL0365	Wire Retainer Set: Slow Ultra Stick
EFL0366	Fuselage: Slow Ultra Stick
EFL0367	Fuselage Joiner: Slow Ultra Stick
EFL0368	Vertical Stabilizer: Slow Ultra Stick
EFL0369	Horizontal Stabilizer: Slow Ultra Stick
EFL0370	Servo Arm Set: Slow Ultra Stick
EFL0371	Decal Sheet: Slow Ultra Stick
EFL0372	Hardware Set: Slow Ultra Stick
EFLP1155	Propeller: 11 X 5.5
SPMSA345SL	A345SL 9g Sub-Micro Servo; 60mm L
SPMXAE30D	Avian 30A Brushless Smart Lite ESC
SPMXAM2800	Brushless Motor: 3513-1100Kv, 14-Pole
SPMAR630	AR630 DSMX 6-Channel AS3X & SAFE Receiver

## Recommended Items

Part #	Description
SPMR6655	DX6e 6 Ch Transmitter Only
SPMX133S30	1300mAh 3S 11.1V Smart G2 30C;
SPMXC2050	Smart S155 G2 AC 1x55W Charger

## Optional Parts

Part #	Description
SPMR8105	DX8e 8 Ch Transmitter Only
SPMR6775	NX6 6 Ch Transmitter Only
SPMR8200	NX8 8 Ch Transmitter Only
SPMXC2080	Smart S1100 G2 AC Charger, 1x100W
SPMX22003S30	2200mAh 3S 11.1V Smart 30C; IC3
SPMX223S30	2200mAh 3S 11.1V Smart G2 30C;
APC11055E	Electric Propeller, 11 x 5.5E
SPMSA345SL	A345 9g Sub-Micro Digital Servo; 60mm Lead
EFL0370	Servo Arm Set: Slow Ultra Stick

## Hardware

Quantity	Item	Use
4	M3 x 6mm machine screw	To secure the motor to the motor mount
1	M2 x 6mm machine screw	To secure the ESC mount to the fuselage
1	M3 x 22mm thumb screw	To secure the horizontal stabilizer to the fuselage
3	2.3 x 4.5mm self-tapping screw	To secure servo arm to servo
4	2 x 8mm self-tapping screw	To secure control horn to control surface
2	M3 x 22mm machine thumb screw	To secure wing to fuselage
1	M3 x 6mm machine screw	To secure spinner retaining washer
1	M6 propeller screw nut	To secure the propeller to propeller shaft
4	M2 x 7mm machine screw	To secure the propeller adapter to the motor
1	M2 x 14mm machine screw	To secure the motor mount to the fuselage
1	M2 x 14mm machine screw	To secure the battery mount to the fuselage
1	M2 x 14mm machine screw	To secure the wing front mount to the fuselage
1	M2 x 14mm machine screw	To secure the wing rear mount to the fuselage
1	M2 x 6mm machine screw	To secure the receiver mount to the fuselage
6	2 x 8mm self-tapping screw	To secure the servos to the fuselage
4	M2 x 14mm machine screw	To secure the two halves of the fuselage together
1	12.8mm x 500mm	Wing tube
2	Diameter 85mm, Width 17mm, Axle 3mm	Main wheel
1	Diameter 21mm, Width 7mm, Axle 1.3mm	Tail wheel

## Important Federal Aviation Administration (FAA) Information

Use the QR code below to learn more about the **Recreational UAS Safety Test (TRUST)**, as was introduced by the 2018 FAA Reauthorization Bill. This free test is required by the FAA for all recreational flyers in the United States. The completed certificate must be presented upon request by any FAA or law enforcement official.



If your model aircraft weighs more than .55lbs or 250 grams, you are required by the FAA to register as a recreational flyer and apply your registration number to the outside of your aircraft. To learn more about registering with the FAA, use the QR code below.



# AMA National Model Aircraft Safety Code

## Academy of Model Aeronautics National Model Aircraft Safety Code

Effective January 1, 2018

A model aircraft is a non-human-carrying device capable of sustained flight within visual line of sight of the pilot or spotter(s). It may not exceed limitations of this code and is intended exclusively for sport, recreation, education and/or competition. All model flights must be conducted in accordance with this safety code and related AMA guidelines, any additional rules specific to the flying site, as well as all applicable laws and regulations.

As an AMA member I agree:

- I will not fly a model aircraft in a careless or reckless manner.
- I will not interfere with and will yield the right of way to all human-carrying aircraft using AMA's See and Avoid Guidance and a spotter when appropriate.
- I will not operate any model aircraft while I am under the influence of alcohol or any drug that could adversely affect my ability to safely control the model.
- I will avoid flying directly over unprotected people, moving vehicles, and occupied structures.
- I will fly Free Flight (FF) and Control Line (CL) models in compliance with AMA's safety programming.
- I will maintain visual contact of an RC model aircraft without enhancement other than corrective lenses prescribed to me. When using an advanced flight system, such as an autopilot, or flying First-Person View (FPV), I will comply with AMA's Advanced Flight System programming.
- I will only fly models weighing more than 55 pounds, including fuel, if certified through AMA's Large Model Airplane Program.
- I will only fly a turbine-powered model aircraft in compliance with AMA's Gas Turbine Program.
- I will not fly a powered model outdoors closer than 25 feet to any individual, except for myself or my helper(s) located at the flightline, unless I am taking off and landing, or as otherwise provided in AMA's Competition Regulation.
- I will use an established safety line to separate all model aircraft operations from spectators and bystanders.

## Limited Warranty

### What this Warranty Covers

Horizon Hobby, LLC, (Horizon) warrants to the original purchaser that the product purchased (the "Product") will be free from defects in materials and workmanship at the date of purchase.

### What is Not Covered

This warranty is not transferable and does not cover (i) cosmetic damage, (ii) damage due to acts of God, accident, misuse, abuse, negligence, commercial use, or due to improper use, installation, operation or maintenance, (iii) modification of or to any part of the Product, (iv) attempted service by anyone other than a Horizon Hobby authorized service center, (v) Product not purchased from an authorized Horizon dealer, (vi) Product not compliant with applicable technical regulations, or (vii) use that violates any applicable laws, rules, or regulations.

OTHER THAN THE EXPRESS WARRANTY ABOVE, HORIZON MAKES NO OTHER WARRANTY OR REPRESENTATION, AND HEREBY DISCLAIMS ANY AND ALL IMPLIED WARRANTIES, INCLUDING, WITHOUT LIMITATION, THE IMPLIED WARRANTIES OF NON-INFRINGEMENT, MERCHANTABILITY AND FITNESS FOR A PARTICULAR PURPOSE. THE PURCHASER ACKNOWLEDGES THAT THEY ALONE HAVE DETERMINED THAT THE PRODUCT WILL SUITABLY MEET THE REQUIREMENTS OF THE PURCHASER'S INTENDED USE.

### Purchaser's Remedy

Horizon's sole obligation and purchaser's sole and exclusive remedy shall be that Horizon will, at its option, either (i) service, or (ii) replace, any Product determined by Horizon to be defective. Horizon reserves the right to inspect any and all Product(s) involved in a warranty claim. Service or replacement decisions are at the sole discretion of Horizon. Proof of purchase is required for all warranty claims. SERVICE OR REPLACEMENT AS PROVIDED UNDER THIS WARRANTY IS THE PURCHASER'S SOLE AND EXCLUSIVE REMEDY.

### Limitation of Liability

HORIZON SHALL NOT BE LIABLE FOR SPECIAL, INDIRECT, INCIDENTAL OR CONSEQUENTIAL DAMAGES, LOSS OF PROFITS OR PRODUCTION OR COMMERCIAL LOSS IN ANY WAY, REGARDLESS OF WHETHER SUCH CLAIM IS BASED IN CONTRACT, WARRANTY, TORT, NEGLIGENCE, STRICT LIABILITY OR ANY OTHER THEORY OF LIABILITY, EVEN IF HORIZON HAS BEEN ADVISED OF THE POSSIBILITY OF SUCH DAMAGES. Further, in no event shall the liability of Horizon exceed the individual price of the Product on which liability is asserted. As Horizon has no control over use, setup, final assembly, modification or misuse, no liability shall be assumed nor accepted for any resulting damage or injury. By the act of use, setup or assembly, the user accepts all resulting liability. If you as the purchaser or user are not prepared to accept the liability associated with the use of the Product, purchaser is advised to return the Product immediately in new and unused condition to the place of purchase.

### Law

These terms are governed by Illinois law (without regard to conflict of law principals). This warranty gives you specific legal rights, and you may also have other rights which vary from state to state. Horizon reserves the right to change or modify this warranty at any time without notice.

### WARRANTY SERVICES

#### Questions, Assistance, and Services

Your local hobby store and/or place of purchase cannot provide warranty support or service. Once assembly, setup or use of the Product has been started, you must contact your local distributor or Horizon directly. This will enable Horizon to better answer your

questions and service you in the event that you may need any assistance. For questions or assistance, please visit our website at [www.horizonhobby.com](http://www.horizonhobby.com), submit a Product Support Inquiry, or call the toll free telephone number referenced in the Warranty and Service Contact Information section to speak with a Product Support representative.

### Inspection or Services

If this Product needs to be inspected or serviced and is compliant in the country you live and use the Product in, please use the Horizon Online Service Request submission process found on our website or call Horizon to obtain a Return Merchandise Authorization (RMA) number. Pack the Product securely using a shipping carton. Please note that original boxes may be included, but are not designed to withstand the rigors of shipping without additional protection. Ship via a carrier that provides tracking and insurance for lost or damaged parcels, as Horizon is not responsible for merchandise until it arrives and is accepted at our facility. An Online Service Request is available at [http://www.horizonhobby.com/content/service-center\\_render-service-center](http://www.horizonhobby.com/content/service-center_render-service-center). If you do not have internet access, please contact Horizon Product Support to obtain a RMA number along with instructions for submitting your product for service. When calling Horizon, you will be asked to provide your complete name, street address, email address and phone number where you can be reached during business hours. When sending product into Horizon, please include your RMA number, a list of the included items, and a brief summary of the problem. A copy of your original sales receipt must be included for warranty consideration. Be sure your name, address, and RMA number are clearly written on the outside of the shipping carton.

**NOTICE: Do not ship LiPo batteries to Horizon. If you have any issue with a LiPo battery, please contact the appropriate Horizon Product Support office.**

### Warranty Requirements

For Warranty consideration, you must include your original sales receipt verifying the proof-of-purchase date. Provided warranty conditions have been met, your Product will be serviced or replaced free of charge. Service or replacement decisions are at the sole discretion of Horizon.

### Non-Warranty Service

Should your service not be covered by warranty, service will be completed and payment will be required without notification or estimate of the expense unless the expense exceeds 50% of the retail purchase cost. By submitting the item for service you are agreeing to payment of the service without notification. Service estimates are available upon request. You must include this request with your item submitted for service. Non-warranty service estimates will be billed a minimum of ½ hour of labor. In addition you will be billed for return freight. Horizon accepts money orders and cashier's checks, as well as Visa, MasterCard, American Express, and Discover cards. By submitting any item to Horizon for service, you are agreeing to Horizon's Terms and Conditions found on our website [http://www.horizonhobby.com/content/service-center\\_render-service-center](http://www.horizonhobby.com/content/service-center_render-service-center).

**ATTENTION: Horizon service is limited to Product compliant in the country of use and ownership. If received, a non-compliant Product will not be serviced. Further, the sender will be responsible for arranging return shipment of the un-serviced Product, through a carrier of the sender's choice and at the sender's expense. Horizon will hold non-compliant Product for a period of 60 days from notification, after which it will be discarded.**

## Contact Information


Country of Purchase	Horizon Hobby	Contact Information	Address
United States of America	Horizon Service Center (Repairs and Repair Requests)	servicecenter.horizonhobby.com/RequestForm/	2904 Research Rd Champaign, Illinois, 61822 USA
	Horizon Product Support (Product Technical Assistance)	productsupport@horizonhobby.com 877-504-0233	
	Sales	websales@horizonhobby.com 800-338-4639	
European Union	Horizon Technischer Service Sales: Horizon Hobby GmbH	service@horizonhobby.de +49 (0) 4121 2655 100	Hanskampring 9 D 22885 Barsbüttel, Germany


## FCC Information

**FCC ID: BRWSPMAR630**

### Supplier's Declaration of Conformity

**EFL Slow Ultra Stick Manual 1.2M BNF Basic(EFL0350)**

 This device complies with part 15 of the FCC Rules. Operation is subject to the following two conditions: (1) This device may not cause harmful interference, and (2) this device must accept any interference received, including interference that may cause undesired operation.

 **CAUTION:** Changes or modifications not expressly approved by the party responsible for compliance could void the user's authority to operate the equipment.

**NOTE:** This equipment has been tested and found to comply with the limits for a Class B digital device, pursuant to part 15 of the FCC Rules. These limits are designed to provide reasonable protection against harmful interference in a residential installation. This equipment generates, uses and can radiate radio frequency energy and, if not installed and used in accordance with the instructions, may cause harmful interference to radio communications. However, there is no guarantee that interference will not occur in a particular installation. If this equipment does cause harmful interference to radio or television reception, which can be determined by turning the equipment off and on, the user is encouraged to try to correct the interference by one or more of the following measures:

- Reorient or relocate the receiving antenna.
- Increase the separation between the equipment and receiver.
- Connect the equipment into an outlet on a circuit different from that to which the receiver is connected.
- Consult the dealer or an experienced radio/TV technician for help.

Horizon Hobby, LLC  
2904 Research Rd.,  
Champaign, IL 61822  
Email: [compliance@horizonhobby.com](mailto:compliance@horizonhobby.com)  
Web: [HorizonHobby.com](http://HorizonHobby.com)

## IC Information

**IC: 6157A-SPMAR630**


**CAN ICES-3 (B)/NMB-3(B)**

This device contains license-exempt transmitter(s)/receivers(s) that comply with Innovation, Science, and Economic Development Canada's license-exempt RSS(s).

Operation is subject to the following 2 conditions:

1. This device may not cause interference.
2. This device must accept any interference, including interference that may cause undesired operation of the device.

## Compliance Information for the European Union

 **EU Compliance Statement:**  
**EFL Slow Ultra Stick Manual 1.2M BNF Basic (EFL0350);** Hereby, Horizon Hobby, LLC declares that the device is in compliance with the following: EU Radio Equipment Directive 2014/53/EU, RoHS 2 Directive 2011/65/EU, RoHS 3 Directive - Amending 2011/65/EU Annex II 2015/863

The full text of the EU declaration of conformity is available at the following internet address: <https://www.horizonhobby.com/content/support-render-compliance>.

**Wireless Frequency Range and Wireless Output Power:**

2402-2478MHz  
4.65dBm

### WEEE NOTICE:



This appliance is labeled in accordance with European Directive 2012/19/EU concerning waste of electrical and electronic equipment (WEEE). This label indicates that this product should not be disposed of with household waste. It should be deposited at an appropriate facility to enable recovery and recycling.

### EU Manufacturer of Record:

Horizon Hobby, LLC  
2904 Research Road  
Champaign, IL 61822 USA

### EU Importer of Record:

Horizon Hobby, GmbH  
Hanskampring 9  
22885 Barsbüttel Germany

Australia/New Zealand:



## HINWIS

Allen Anweisungen, Garantien und anderen zugehörigen Dokumenten sind Änderungen nach Ermessen von Horizon Hobby, LLC vorbehalten. Aktuelle Produktliteratur finden Sie unter [horizonhobby.com](http://horizonhobby.com) oder [towerhobbies.com](http://towerhobbies.com) im Support-Abschnitt für das Produkt.

## ERKLÄRUNG DER BEGRIFFE

Die folgenden Begriffe werden in der gesamten Produktliteratur verwendet, um auf unterschiedlich hohe Gefahrenrisiken beim Betrieb dieses Produkts hinzuweisen: **WARNUNG:** Wenn diese Verfahren nicht korrekt befolgt werden, ergeben sich wahrscheinlich Sachschäden, Kollateralschäden und schwere Verletzungen ODER mit hoher Wahrscheinlichkeit oberflächliche Verletzungen.

**ACHTUNG:** Wenn diese Verfahren nicht korrekt befolgt werden, ergeben sich wahrscheinlich Sachschäden UND die Gefahr von schweren Verletzungen.

**HINWEIS:** Wenn diese Verfahren nicht korrekt befolgt werden, können sich möglicherweise Sachschäden UND geringe oder keine Gefahr von Verletzungen ergeben.



**WARNUNG:** Lesen Sie die GESAMTE Bedienungsanleitung, um sich vor dem Betrieb mit den Produktfunktionen vertraut zu machen. Wird das Produkt nicht korrekt betrieben, kann dies zu Schäden am Produkt oder persönlichem Eigentum führen oder schwere Verletzungen verursachen.

Dies ist ein hochentwickeltes Hobby-Produkt. Es muss mit Vorsicht und gesundem Menschenverstand betrieben werden und benötigt gewisse mechanische Grundfähigkeiten. Wird dieses Produkt nicht auf eine sichere und verantwortungsvolle Weise betrieben, kann dies zu Verletzungen oder Schäden am Produkt oder anderen Sachwerten führen. Versuchen Sie nicht ohne Genehmigung durch Horizon Hobby, LLC, das Produkt zu zerlegen, es mit inkompatiblen Komponenten zu verwenden oder auf jegliche Weise zu erweitern. Diese Bedienungsanleitung enthält Anweisungen für Sicherheit, Betrieb und Wartung. Es ist unbedingt notwendig, vor Zusammenbau, Einrichtung oder Verwendung alle Anweisungen und Warnhinweise im Handbuch zu lesen und zu befolgen, damit es bestimmungsgemäß betrieben werden kann und Schäden oder schwere Verletzungen vermieden werden.

**Nicht geeignet für Kinder unter 14 Jahren. Dies ist kein Spielzeug.**

## Sicherheitshinweise Und Warnungen

Als Nutzer dieses Produktes, sind Sie allein verantwortlich, es in einer Art und Weise zu benutzen, die eine eigene Gefährdung und die anderer oder Beschädigung an anderem Eigentum ausschließt. Das Modell ist ferngesteuert und anfällig für bestimmte äußere Einflüsse. Diese Einflüsse können zum vorübergehenden Verlust der Steuerfähigkeit führen, so dass es immer sinnvoll ist genügend Sicherheitsabstand in alle Richtungen um das Modell zu haben.

- Fahren Sie das Modell nie mit fast leeren oder schwachen Senderbatterien.
- Betreiben Sie Ihr Modell stets auf offenen Geländen, weit ab von Automobilen, Verkehr und Menschen.
- Fahren Sie Ihr Modell nicht auf der Straße oder belebten Plätzen.
- Beachten Sie vorsichtig alle Hinweise und Warnungen für das Modell und allen dazu gehörigen Equipment.
- Halten Sie alle Chemikalien, Kleinteile und elektrische Bauteile aus der Reichweite von Kindern.
- Lecken Sie niemals an Teilen von Ihrem Modell oder nehmen diese in den Mund, da diese Sie ernsthaft verletzen oder töten können.
- Seien Sie immer aufmerksam wenn Sie Werkzeug oder scharfe Instrumente verwenden.
- Seien Sie bei dem Bau vorsichtig, da einige Teile scharfe Kanten haben könnten.
- Fassen Sie bitte unmittelbar nach dem Betrieb nicht den Motor, Regler oder Akku an, da diese Teile sich sehr erwärmen können und Sie sich bei dem berühren ernsthaft verbrennen können.
- Fassen Sie nicht in drehende oder sich bewegende Teile, da sich ernsthaft dabei verletzen können.
- Schalten Sie immer zuerst den Sender ein, bevor Sie den Empfänger im Fahrzeug einschalten.
- Stellen Sie das Fahrzeug mit den Rädern nicht auf den Boden, wenn Sie die Funktionen überprüfen.



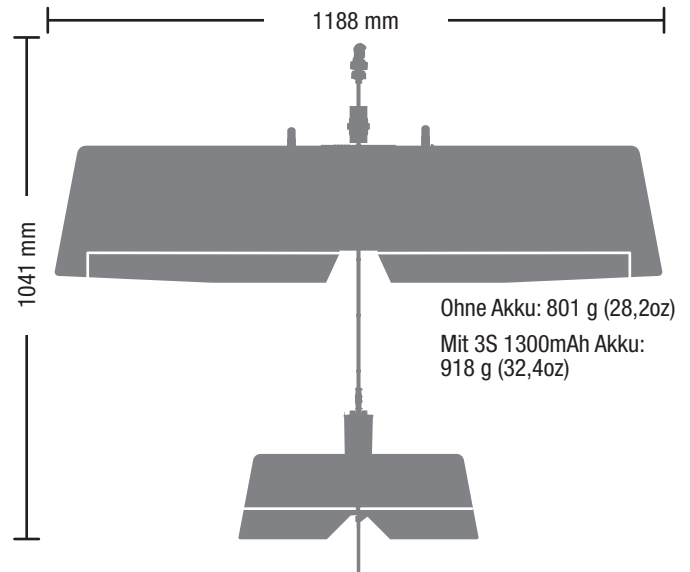
**WARNUNG VOR GEFÄLSCHTEN PRODUKTEN:** Sollten Sie jemals eine Spektrum Komponente ersetzen wollen, kaufen Sie die benötigten Ersatzteile immer bei Horizon Hobby oder einem von Horizon Hobby autorisierten Händler, um sicherzugehen, dass Sie beste Spektrum Qualität erhalten. Horizon Hobby, LLC lehnt jedwede Haftung, Garantie und Serviceleistung in Bezug auf, aber nicht ausschließlich für, Kompatibilitäts- und Leistungsansprüche von gefälschten Produkten oder Produkten, die angegeben mit DSM oder Spektrum kompatibel zu sein, ab.

## Enthaltene/Empfohlene Ausrüstung

	
<b>MOTOR:</b> 3513-1100 Kv Außenläufermotor, 14-polig (SPMXAM2800)	<b>Im Lieferumfang enthalten</b>
<b>Geschwindigkeitsregler:</b> Avian 30-Amp Smart Lite Bürstenloser Geschwindigkeitsregler; 3S-4S, IC3 (SPMXAE30D)	<b>Montiert</b>
<b>Servos:</b> A345SL 9 g Sub-Micro Digital Servo: 60 mm Leitung (SPMSA345SL) Querruder: (1) Seitenruder: (1) Höhenruder: (1)	<b>Montiert</b>
<b>Empfänger:</b> AR630 AS3X/SAFE Telemetrieempfänger mit 6 Kanälen (SPMAR630)	<b>Montiert</b>
<b>Empfohlener Akku*:</b> 3S 1300mAh 30C Li-Po (SPMX133S30)	<b>Erforderlich</b>
<b>Empfohlenes Ladegerät:</b> S155 3-Zellen-Li-Po-Akku-Ladegerät (SPMCXC2050)	<b>Erforderlich</b>
<b>Empfohlener Sender:</b> Vollbereich 4-Kanal 2,4 GHz mit Spektrum DSMX®/DSM2-Technologie mit einstellbaren dualen Geschwindigkeiten.	<b>Erforderlich</b>

\*Akku-Bereich: 2S-3S 1300-2200mAh LiPo-Akku

## Spezifikationen



## Inhaltsverzeichnis

Spezifikationen .....	23
Zusammenbau des Modells .....	24
Senderkonfiguration .....	29
Montage des Akkus und Aktivierung des Geschwindigkeitsreglers ...	30
Binden .....	31
Schalterbelegung von SAFE® Select.....	32
Integrierte Geschwindigkeitsregler-Telemetrie.....	33
Steuerrichtungstests.....	33
AS3X-Kontrolle Lenktest .....	34
Zentrieren der Steuerflächen und Anpassen eines Gabelkopfs.....	35
Horn- und Servoarm-Einstellungen .....	35
Duale Geschwindigkeit .....	35
Der Schwerpunkt (CG) .....	36
Tipps für das Fliegen mit Safe Select .....	36
Trimmung während des Fluges .....	36
Wahlweise Zwei-Servo-Querrudereinstellung.....	37
Nach dem Flug .....	38

Motorwartung .....	38
Warten des Servos.....	38
AS3X Fehlerbehebung.....	38
Fehlerbehebung.....	39
Ersatzteile.....	40
Empfohlene Artikel.....	40
Optionale Teile .....	40
Hardware.....	40
Haftungsbeschränkung .....	41
Garantie und Service Kontaktinformationen .....	42
Konformitätshinweise für die Europäische Union .....	42

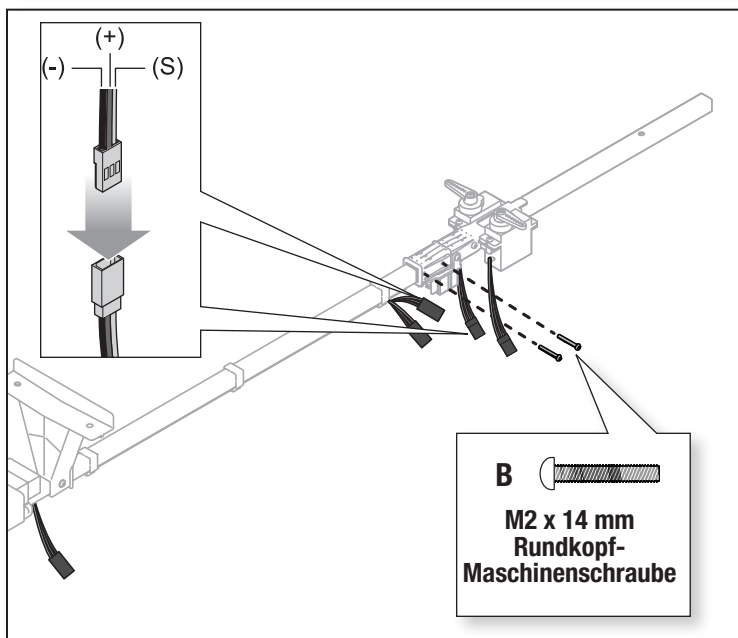
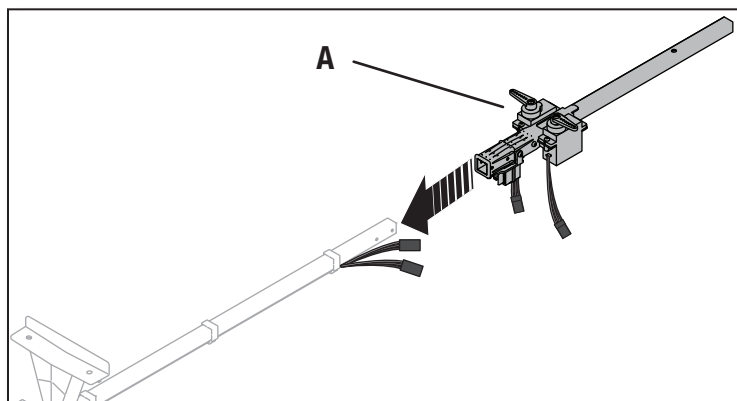


## Zusammenbau des Modells

### Montage des hinteren Rumpfbereichs

1. Die beiden Rumpfteile zusammenschieben, bis sie einrasten und das vordere und hintere Rumpfteil verbinden.
2. Die Teile mit den beiden beiliegenden M2 x 14mm Kopfschrauben befestigen. (Einen #1 Phillips-Schraubenzieher verwenden)
3. Die Stecker des Nivellierservo sind mit einer silbernen Kennzeichnung versehen. Diese Markierungen ausrichten und den Stecker des Nivellierservo mit der Verlängerung des Empfängers verbinden. Die Farben der Kabel stimmen ebenfalls überein, so dass die richtige Polung gewährleistet ist.
4. Verbinden Sie den Stecker des Ruderservos mit der Erweiterung des Empfängers. Diese Stecker haben keine silberne Markierung, verwenden Sie die Kabelfarbe, um sie richtig zu verbinden.
5. Stapeln Sie die angeschlossenen Stecker und stecken Sie diese in die Halterung.

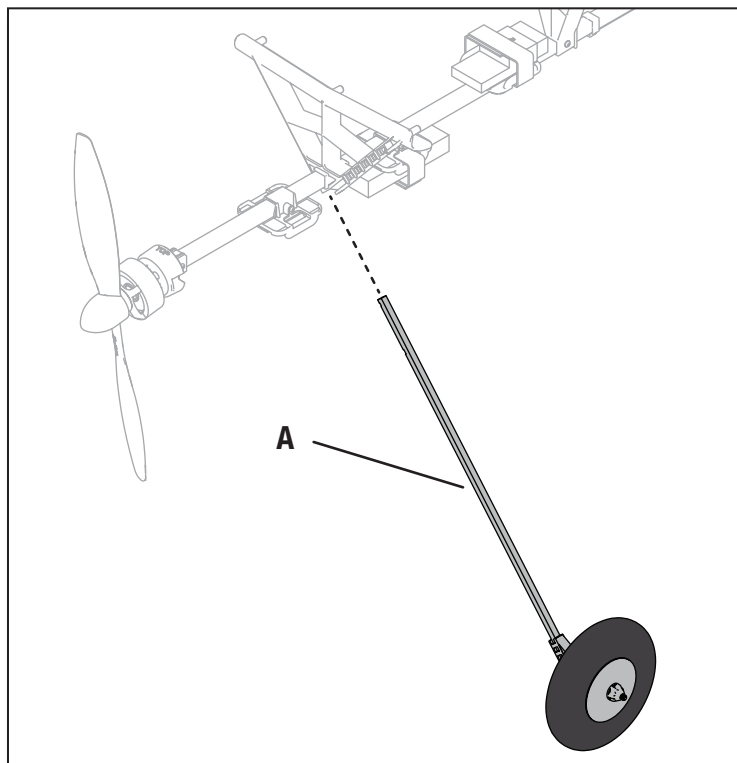
Das Zerlegen erfolgt in der umgekehrten Reihenfolge.



### Montage des Hauptfahrwerks

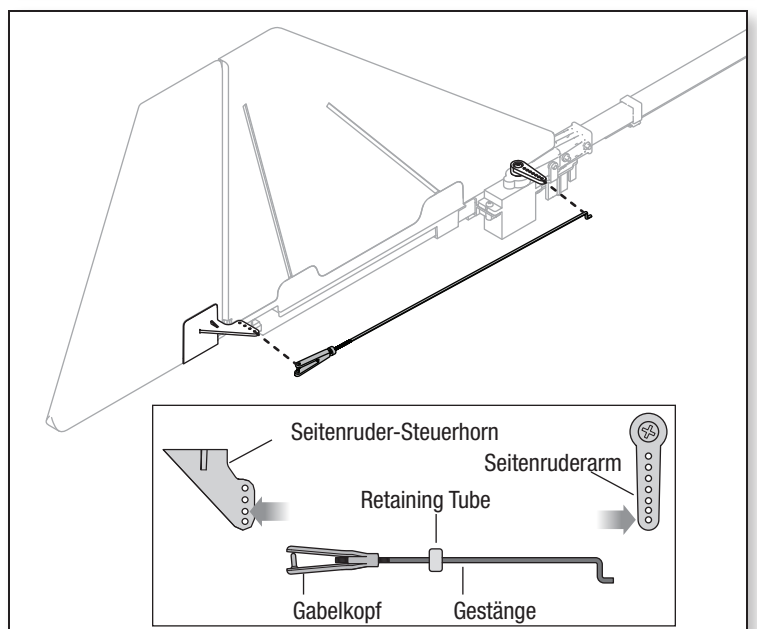
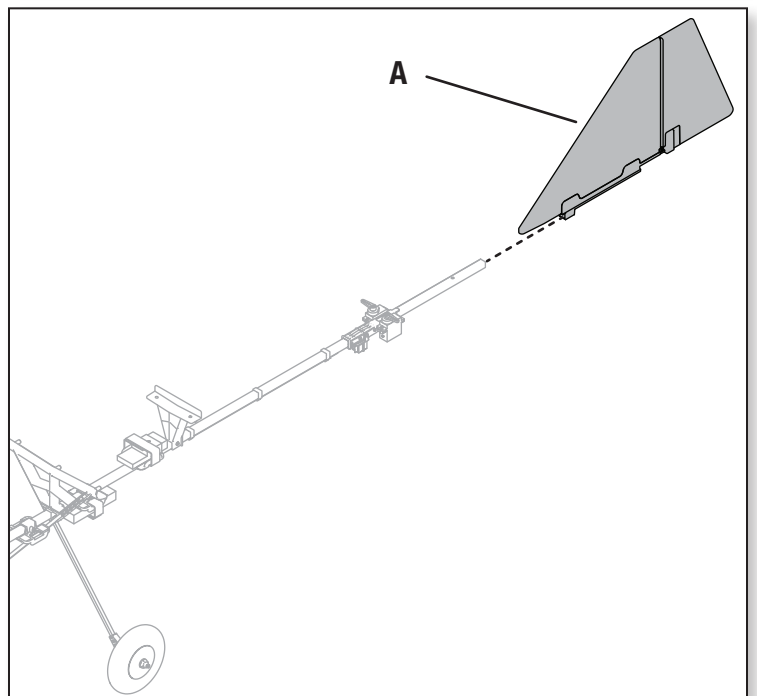
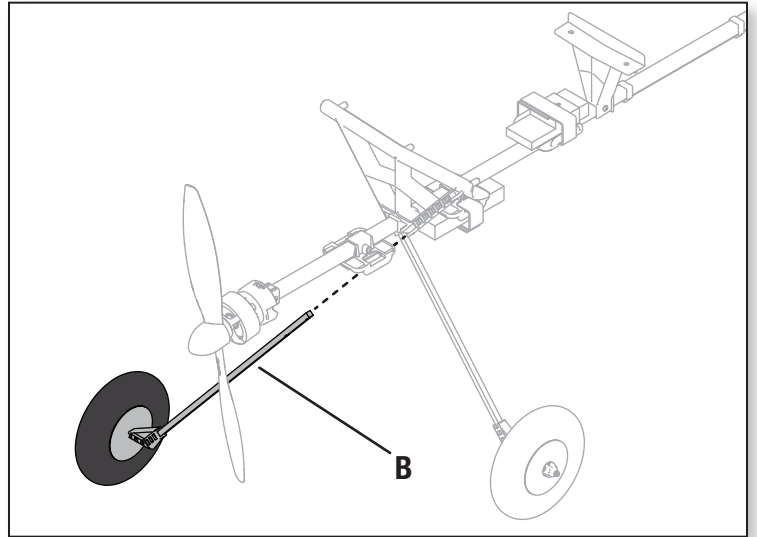
1. Schieben Sie eine Haupttriebbestrebe (**A**) in den Steckplatz, bis sie in die Halterung einrastet. Zum Einrasten der Verriegelung muss ein fester Druck ausgeübt werden.
2. Schieben Sie die verbleibende Haupttriebbestrebe (**B**) in den gegenüberliegenden Steckplatz, bis sie einrastet.

In umgekehrter Reihenfolge auseinanderbauen und dabei ein Werkzeug wie z.B. einen flachen Schraubenzieher verwenden, um die Halteklinke zu lösen.



## Montage des Seitenleitwerks

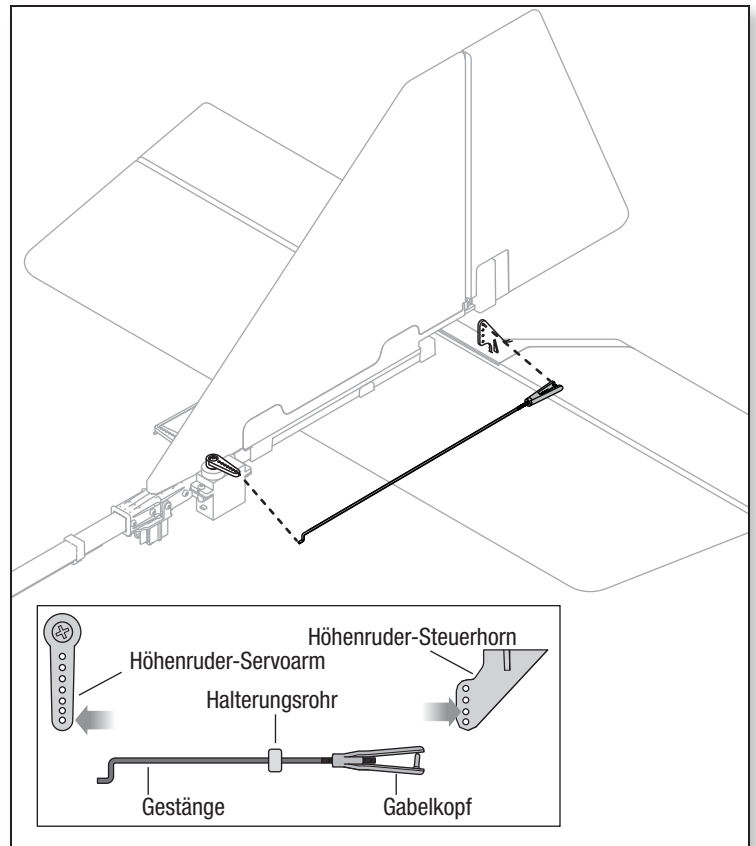
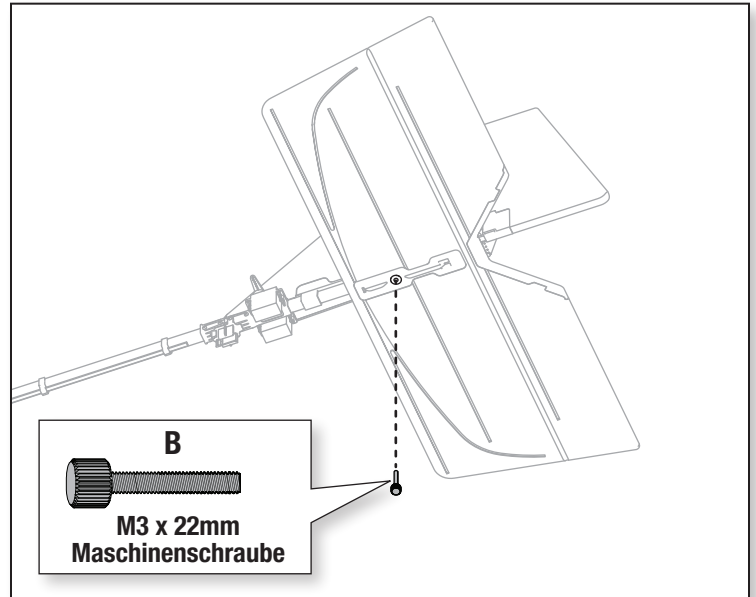
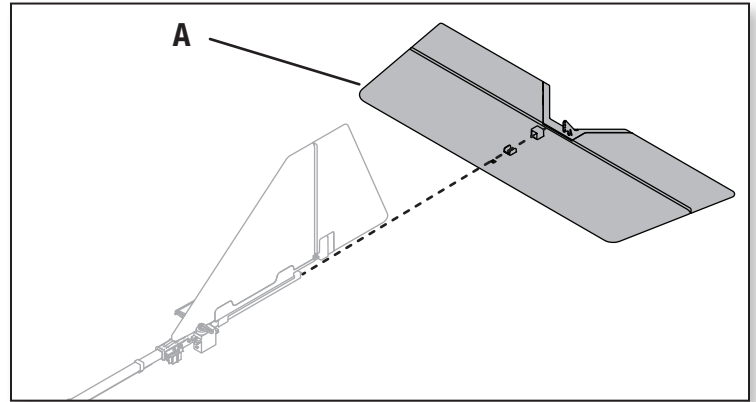
1. Schieben Sie das vertikale Leitwerk (A) auf das hintere Rumpfrohr, bis die Löcher übereinander liegen.
2. In der mitgelieferten Tasche befinden sich zwei Schubstangen für das Seiten- und Höhenruder. Wählen Sie ein längeres und nehmen es für das Seitenruder.
3. Verbinden Sie den 193mm Ruderschubstangen-Z-Bogen mit dem äußersten Loch im Servoarm.
4. Den Gabelkopf am dritten äußeren Loch des Ruderhorns (siehe Anleitung für den Gabelkopfanschluss) befestigen.



## Montage des Höhenleitwerks

1. Darauf achten, dass das Steuerhorn nach oben zeigt, und dann das Höhenleitwerk (A) auf das hintere Rumpfrohr schieben, bis die unteren Schraubenlöcher übereinstimmen.
2. Die beiden horizontalen Stabilisatorteile mit der mitgelieferten M3 x 22 mm Daumenschraube (B) befestigen.
3. Den Z-Krümmter der Höhenrudersteuerstange mit dem äußersten Loch im Servoarm verbinden.
4. Den Gabelkopf am drittäußersten Loch des Steuerhorns des Höhenruders anbringen (siehe Anleitung für die Gabelkopfverbindung).

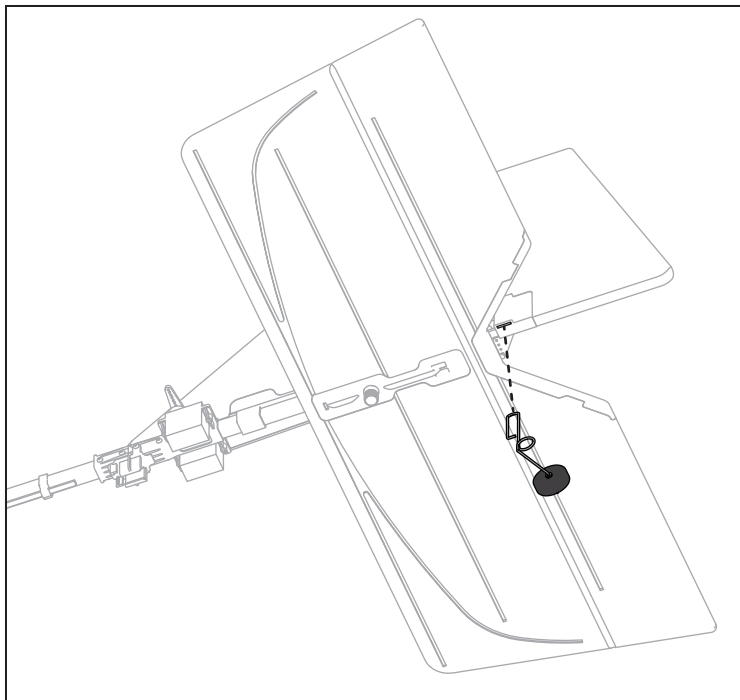
Das Zerlegen erfolgt in der umgekehrten Reihenfolge.



## Montage des Spornrads

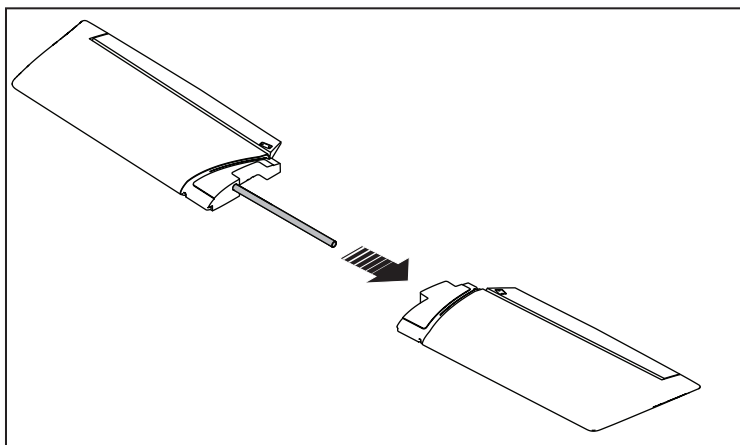
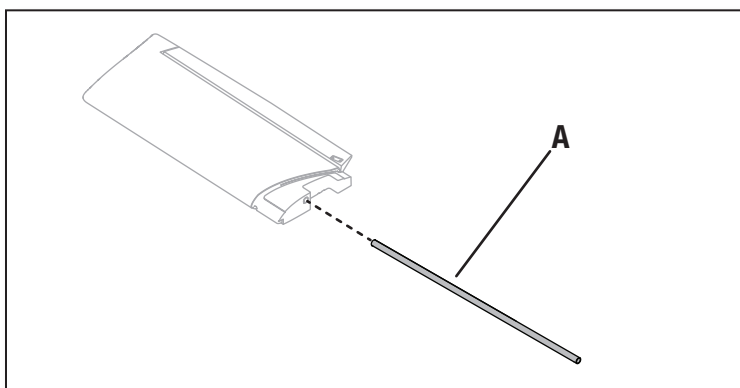
1. Richten Sie den Heckraddraht auf die Aussparung an der Unterseite des Seitenruders aus.
2. Drücken Sie den Heckraddraht in die Aussparung, bis der Draht einrastet.

Das Zerlegen erfolgt in der umgekehrten Reihenfolge.



## Montage der Tragfläche

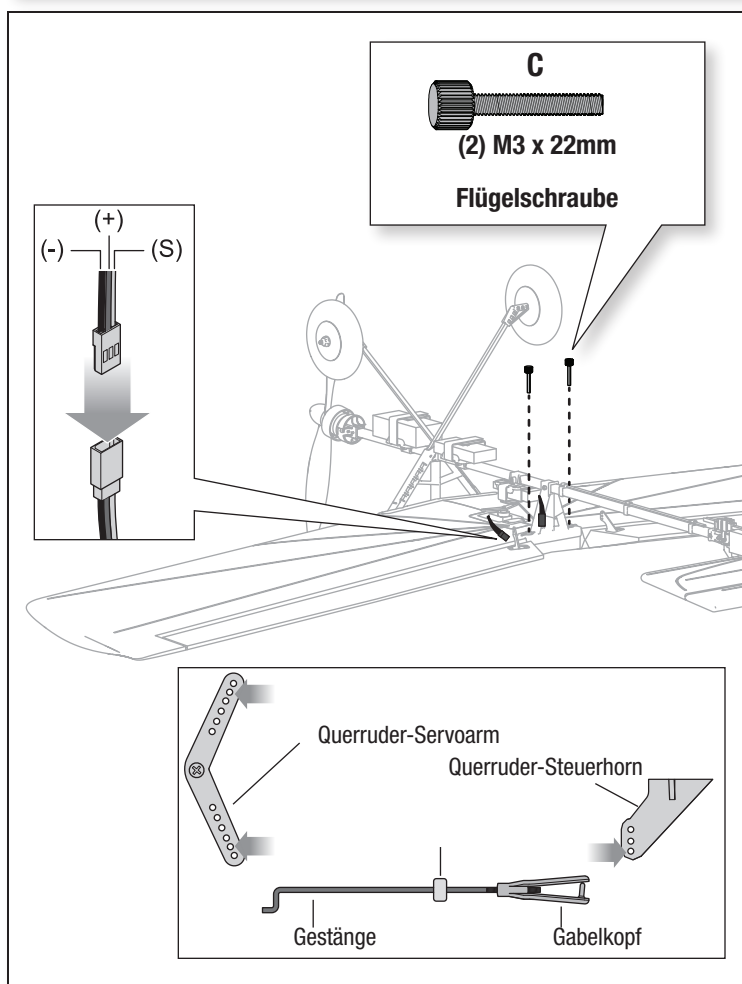
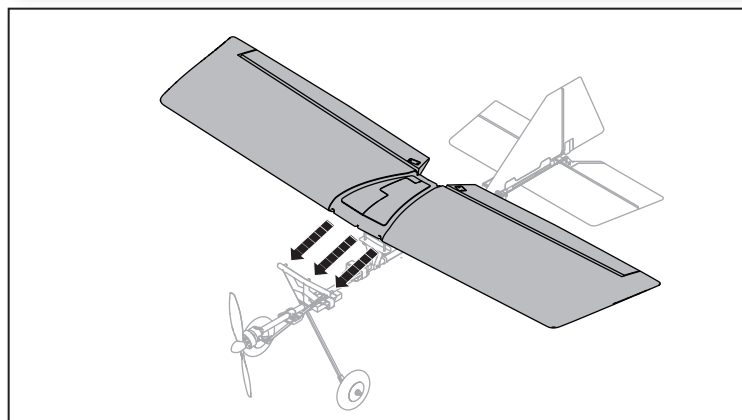
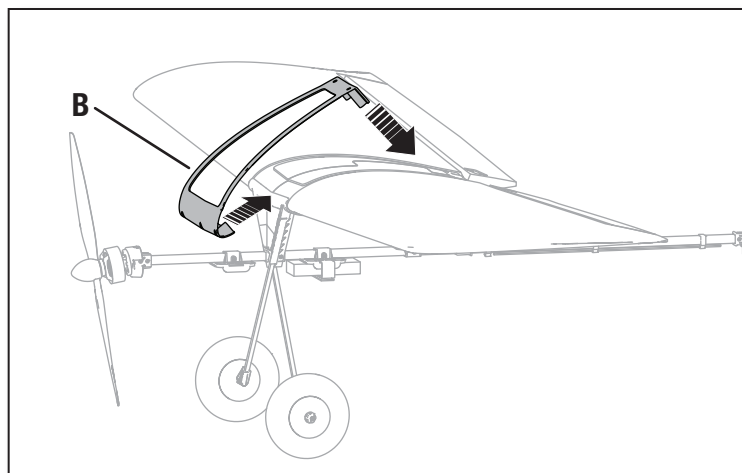
1. Das Steckungsrohr (A) in die Tragfläche schieben.
2. Die beiden Tragflächenhälften zusammenschieben.



## Montage der Tragfläche

1. Die Tragflächenhalterung (**B**) an der Oberseite der Tragfläche ausrichten und platzieren.
2. Die Tragflächen mit den drei Stiften an der vorderen Flügelhalterung ausrichten und dann nach vorne schieben.
3. Die Tragfläche mit den zwei mitgelieferten M3 x 22 mm Flügelschraube (**C**) am Rumpf befestigen.
4. Den Anschluss des Querruder-Servos mit der Servo-Erweiterung des Empfängers verbinden.
5. Verbinden Sie die Schubstangen der Querruder mit den Steuerhörnern an den angegebenen Stellen

Das Zerlegen erfolgt in der umgekehrten Reihenfolge.



## Senderkonfiguration

**⚠️ WARNUNG:** Die Gasabschaltungsfunktion aktivieren. Immer die Gasabschaltung aktivieren, bevor Sie sich dem Flugzeug nähern.

**⚠️ WARNUNG:** Niemals Aux 2 SAFE Select während Senderkonfiguration mit beliebigem Modellsender zuweisen. Wird SAFE Aux 2 zugewiesen, wird der Gaskanal/Motor in den Flug umkehren, sobald SAFE aktiviert wird. Motorumsteuerung ist im Smart Geschwindigkeitsregler standardmäßig Aux2/ Kanal 7 zugewiesen.

**WICHTIG:** Nach dem Einrichten des Modells immer den Sender und Empfänger erneut binden, um die gewünschten Failsafe-Positionen einzurichten.

**WICHTIG:** Der mitgelieferte Sender wurde speziell für den Betrieb in diesem Fluggerät programmiert.

† Einige der in der iX12-, iX14- und iX20-Programmierung verwendeten Begriffe und Funktionspositionen können sich leicht von anderen Spektrum AirWare™ Funksystemen unterscheiden. Die in Klammern angegebenen Namen entsprechen der iX12-, iX14- und iX20-Programmierungsterminologie. Für spezifische Informationen zur Programmierung Ihres Senders Ihre Sender-Betriebsanleitung konsultieren.

### Vorprogrammierte Senderkonfigurationsdateien

Um bei der Konfiguration Ihres Senders für dieses Modell Zeit zu sparen, können Sie unter [www.SpektrumRC.com](http://www.SpektrumRC.com) die neuesten vorprogrammierten Senderkonfigurationsdateien herunterladen. Laden Sie die richtige Modelldatei herunter und installieren Sie sie über eine SD-Karte auf Ihrem Sender.

1. Gehen Sie auf [www.spektrumRC.com](http://www.spektrumRC.com)
2. Bewegen Sie den Mauszeiger über Hilfe und klicken Sie im angezeigten Menü auf Hub Hilfe.
3. Blättern Sie und wählen Sie Ihren Sender aus der Liste aus.
4. Blättern Sie zu Quick Links und klicken Sie auf Bedienungsanleitungen & Hilfe.
5. Klicken Sie auf den Link Sendervoreinstellung herunterladen.
6. Befolgen Sie die Anweisungen zum Importieren der voreingestellten Modelldateien.

### Duale Geschwindigkeiten

Für die ersten Flüge wird eine niedrige Rate empfohlen.

**HINWEIS:** Um sicherzustellen, dass die AS3X®-Technologie einwandfrei funktioniert, sollten die Werte nicht unter 50 % gesenkt werden. Werden geringere Geschwindigkeiten gewünscht, die Position des Gestänges am Servoarm manuell anpassen.

**HINWEIS:** Tritt Oszillation bei hoher Geschwindigkeit auf, die Anleitung zur Fehlerbehebung für weitere Informationen lesen.

### Exponentiell

Im Anschluss an die ersten Flüge kann der Expo-Wert in Ihrem Sender angepasst werden.

### Computergestützte Senderkonfiguration

Die gesamte Senderprogrammierung mit einem leeren ACRO-Modell (eine Zurücksetzung des Modells durchführen) beginnen, dann das Modell benennen.

	2-Positionen-Schalter	3-Positionen-Schalter
Duale Geschwindigkeit einstellen auf	HOCH 100 %	HOCH 100 %
		MITTIG 70 %
	NIEDRIG 70 %	NIEDRIG 50%
Servoverfahrweg einstellen auf	100 %	
Gasabschaltung auf	-100 %	
DX6e † DX6 † (Gen2) DX7† (Gen2) NX6† DX8e DX8 (Gen2) DX9 DX10t DX18 DX20 iX12 † iX20 † NX6 NX8 NX10	1. Auf SYSTEM SETUP [Systemkonfiguration] gehen (Model Utilities) [Modell-Dienstprogramme]† 2. MODEL TYPE [Modelltyp] einstellen: AIRPLANE [Flugzeug] 3. AIRCRAFT TYPE [Flugzeugtyp] einstellen: Model Setup (Modellkonfiguration), Aircraft Type (Fluggerättyp)†: TRAGFLÄCHE: Normal	

### Telemetrikonfiguration des Senders

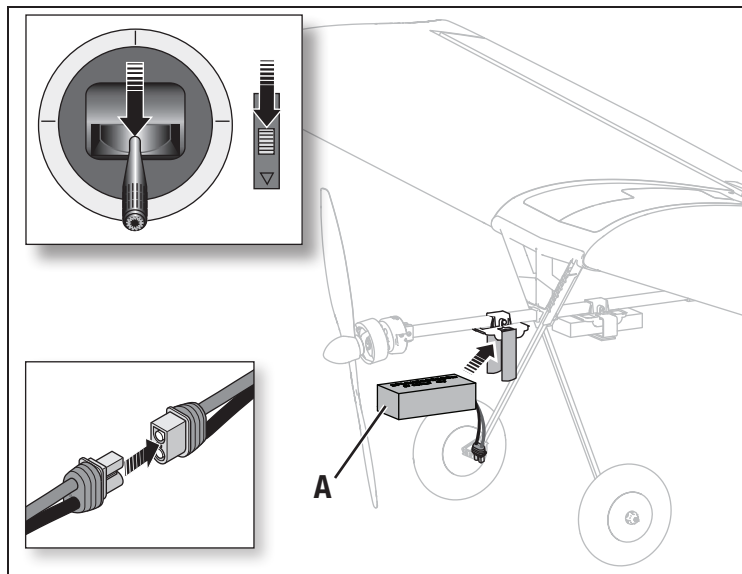
Zeigt der Sender, den Sie für dieses Fluggerät einsetzen möchten, keine Telemetriedaten an, so gehen Sie zu [www.SpektrumRC.com](http://www.SpektrumRC.com) und aktualisieren Ihre Firmware. Mit der neuesten auf Ihrem Sender installierten Firmware sollte die Telemetrieoption auf Ihrem Sender funktionsfähig sein.

## Montage des Akkus und Aktivierung des Geschwindigkeitsreglers

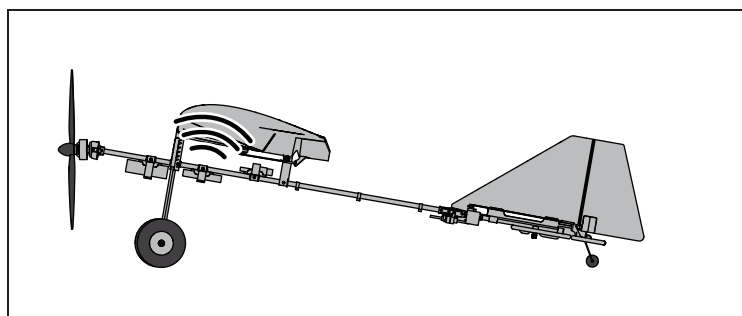
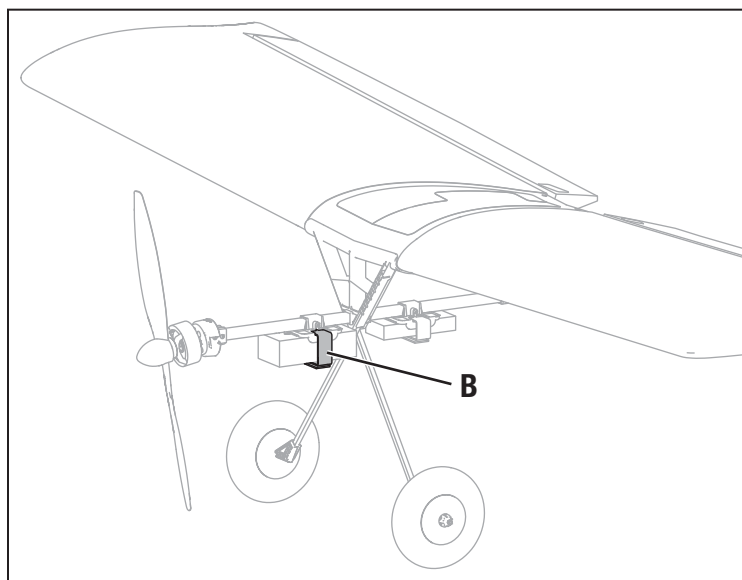
### Wahl des Akkus

Wir empfehlen den 3S 1300mAh 30C Smart Li-Po-Akku. Siehe Optionale Teileliste zu weiteren empfohlenen Akkus. Wird ein anderer als die aufgeführten Akkus verwendet, dann sollte der Akku in Leistung, Abmessungen und Gewicht dem Spektrum Li-Po-Akkupack entsprechen, damit er in den Rumpf passt.

1. Gas und Gastrimmung auf die niedrigste Einstellung senken. Den Sender einschalten und 5 Sekunden warten.
  2. Einen vollständig geladenen Akku **(A)** wie abgebildet in das Akkufach einsetzen und mit den Klettbindern **(B)** sichern.
  3. Den Akku an den Geschwindigkeitsregler anschließen.
  4. Das Flugzeug still und nicht in den Wind halten, da sich das System ansonsten nicht initialisiert.
- Der Geschwindigkeitsregler gibt eine Reihe von Tönen aus (siehe Schritt 6 der Bindungsanleitung zu weiteren Informationen).
  - Eine LED leuchtet auf dem Empfänger auf.



**⚠ ACHTUNG:** Halten Sie die Hande stets in gebührendem Abstand vom Propeller. Im scharfgeschalteten Zustand dreht der Motor den Propeller bei jeder Bewegung des Gasknüppels.



## Binden

### Allgemeine Tipps zur Bindung

- Der mitgelieferte Empfänger wurde speziell für den Betrieb dieses Fluggeräts programmiert. Nach dem Austausch des Empfängers sind die Anweisungen zur ordnungsgemäßen Einrichtung dem Empfängerhandbuch zu entnehmen.
- Während des Bindens von großen Metallobjekten fern halten.
- Die Senderantenne während des Bindens nicht direkt auf den Empfänger richten.
- Die orangefarbene LED auf dem Empfänger beginnt, schnell zu blinken, wenn der Empfänger in den Bindungsmodus wechselt.

- Nach erfolgter Bindung behält der Empfänger seine Bindungseinstellungen für den Empfänger bei, bis eine neue Bindung erfolgt.
- Wird die Kommunikation zwischen Empfänger und Sender unterbrochen, so wird Failsafe aktiviert. Durch Failsafe wird der Gaskanal in die Position „wenig Gas“ gebracht. Höhenruder- und Querruderkanäle bewegen sich, um das Absacken des Flugzeug in einer Kurve aktiv zu stabilisieren.
- Treten Probleme auf, ist die Anleitung zur Fehlerbehebung zu konsultieren, bei Bedarf hilft die Produktsupport-Abteilung von Horizon weiter.

### Binden Von Sender und Empfänger/SAFE Select ein-und ausschalten

Die BNF Basic-Version dieses Flugzeugs ist mit der SAFE Select-Technologie ausgestattet, die es ermöglicht, den Grad des Flugschutzes auszuwählen. Der SAFE-Modus beinhaltet eine Begrenzung der Schräglage und eine automatische Selbstausrichtung. Der AS3X-Modus ermöglicht dem Piloten eine direkte Reaktion auf die Steuerhebel. SAFE Select wird während des Bindungsvorgangs aktiviert oder deaktiviert.

Ist SAFE Select deaktiviert, befindet sich das Flugzeug stets im AS3X-Modus. Ist SAFE Select aktiviert, befindet sich das Flugzeug stets im SAFE Select-Modus. Alternativ ist es möglich, einen Schalter für den Wechsel zwischen den Modi SAFE Select und AS3X zuzuweisen.

Dank der SAFE Select-Technologie lässt sich dieses Flugzeug für Vollzeit-SAFE-Modus oder Vollzeit-AS3X-Modus konfigurieren. Auch die Modusauswahl kann einem Schalter zugewiesen werden.

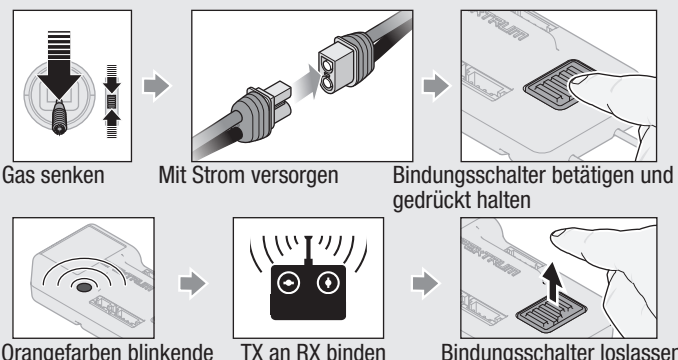
**WICHTIG:** Vor dem Binden den Abschnitt zur Sendereinrichtung in dieser Anleitung lesen und die Sendereinrichtung abschließen, um sicherzustellen, dass der Sender für dieses Flugzeug korrekt programmiert wurde.

**WICHTIG:** Die Flugsteuerungen des Senders (Höhen-, Quer- und Seitenruder) und Gastrimmung auf neutral stellen. Das Gas vor und während dem Binden auf geringe Gaszufuhr stellen. Dieser Vorgang definiert die Failsafe-Einstellungen.

Um das Binden und den SAFE Select-Vorgang abzuschließen, lässt sich entweder der Bindungsschalter auf dem Empfängergehäuse oder der konventionelle Bindungsstecker verwenden.

#### Verwendung des Bindungsschalters

##### SAFE Select aktiviert



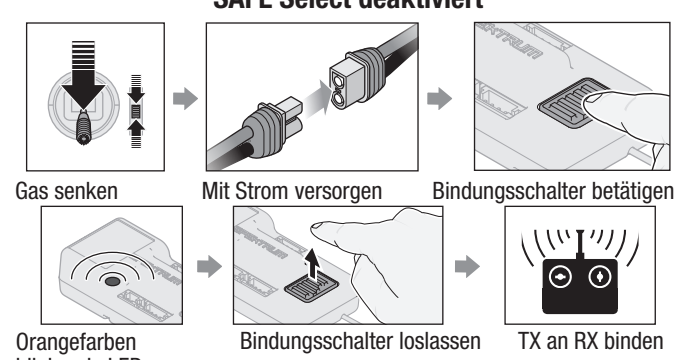
Gas senken → Mit Strom versorgen → Bindungsschalter betätigen und gedrückt halten

Orangefarben blinkende LED → TX an RX binden → Bindungsschalter loslassen

**SAFE Select aktiviert:** Jedes Mal, wenn der Empfänger eingeschaltet wird, schalten die Steuerflächen **zweimal** hin und her, mit einer kurzen Pause auf der Neutralposition.

---

##### SAFE Select deaktiviert



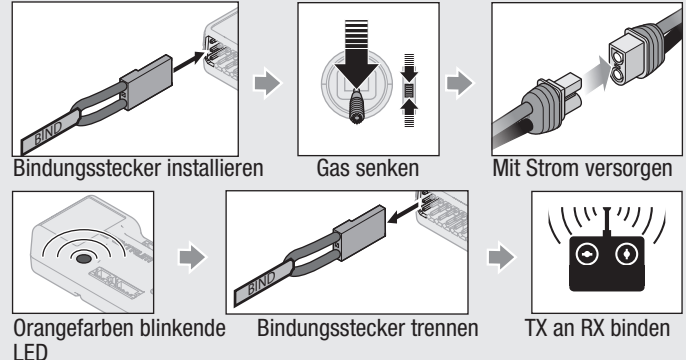
Gas senken → Mit Strom versorgen → Bindungsschalter betätigen

Orangefarben blinkende LED → Bindungsschalter loslassen → TX an RX binden

**SAFE Select deaktiviert:** Jedes Mal, wenn der Empfänger eingeschaltet wird, schalten die Steuerflächen **einmal** hin und her.

#### Verwendung des Bindungssteckers

##### SAFE Select aktiviert



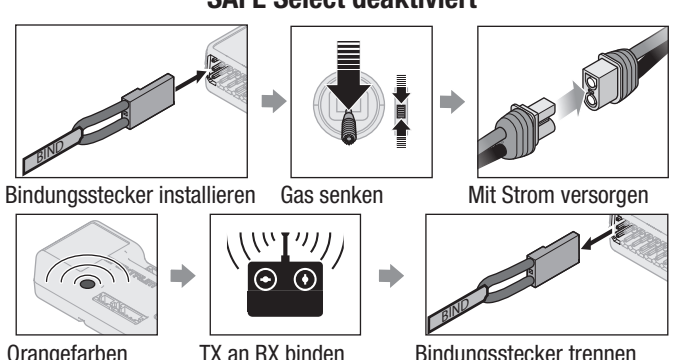
Bindungsstecker installieren → Gas senken → Mit Strom versorgen

Orangefarben blinkende LED → Bindungsstecker trennen → TX an RX binden

**SAFE Select aktiviert:** Jedes Mal, wenn der Empfänger eingeschaltet wird, schalten die Steuerflächen **zweimal** hin und her, mit einer kurzen Pause auf der Neutralposition.

---

##### SAFE Select deaktiviert



Bindungsstecker installieren → Gas senken → Mit Strom versorgen

Orangefarben blinkende LED → TX an RX binden → Bindungsstecker trennen

**SAFE Select deaktiviert:** Jedes Mal, wenn der Empfänger eingeschaltet wird, schalten die Steuerflächen **einmal** hin und her.

SAFE Select lässt sich auch über die Vorwärtsprogrammierung mit kompatiblen Sendern aktivieren.



## Schalterbelegung von SAFE® Select

### Stick Inputs [Hebeleingaben]

Sobald SAFE Select aktiviert ist, können Sie sich dafür entscheiden, Vollzeit im SAFE-Modus zu fliegen, oder einen Schalter zuweisen. Jeder Schalter auf jedem Kanal zwischen 5 und 9 lässt sich auf Ihrem Sender verwenden.

Wurde das Fluggerät mit deaktiviertem SAFE Select gebunden, so verbleibt es exklusiv im AS3X-Modus.

**ACHTUNG:** Alle Körperteile von Propeller fernhalten und das Fluggerät bei versehentlicher Gasbetätigung sicher festhalten.

**IMPORTANT:** To be able to assign a switch, first verify:

- Das Fluggerät wurde bei aktiviertem SAFE Select gebunden.
- Der SAFE Select-Schalter wurde einem Kanal zwischen 5 und 9 zugewiesen (Getriebe, Aux1-4) und der Verfahrweg ist in beiden Richtungen auf 100 % eingestellt.
- Die Richtungen für Quer-, Höhen- und Seitenruder sowie Gas sind auf normal eingestellt, nicht auf Umkehr.
- Quer-, Höhen- und Seitenruder sowie Gas sind auf 100 % Verfahrweg eingestellt. Werden duale Raten verwendet, müssen sich die Schalter in der Position 100 % befinden.

Siehe Handbuch des Senders zu weiteren Informationen zum Zuweisen eines Schalters an einen Kanal.

**TIPP:** Wird bei Verwendung eines 6-Kanal-Senders ein SAFE SAFE Select- Schalter für das 6-Funktions-Fluggerät gewünscht, muss der SAFE Select- Schalterkanal entweder mit Kanal 5 oder Kanal 6 des Senders geteilt werden.

### Vorwärtsprogrammierung

Den SAFE Select-Kanal über die Vorwärtsprogrammierung auf Ihrem kompatiblen Spektrum-Sender zuweisen.



Weitere Informationen zum Einstellen von SAFE Select und Benutzen der Vorwärtsprogrammierung finden Sie ein detailliertes Video unter folgendem Link:

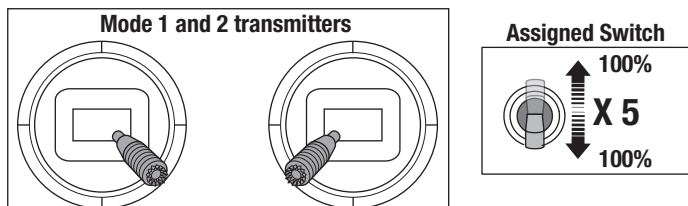
<https://www.youtube.com/watch?v=o-46P066cik>

### Zuweisen eines Schalters

1. Schalten Sie den Sender ein.
2. Schalten Sie das Fluggerät ein.
3. Beide Hebel des Senders in die unteren inneren Ecken halten und den gewünschten Schalter 5-mal (1 Umschalten = vollständig von oben nach unten) schnell hin- und herschalten.
4. Die Steueroberflächen des Flugzeugs werden sich bewegen und so anzeigen, dass der Schalter ausgewählt wurde.

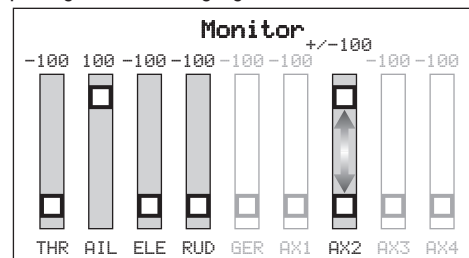
Den Vorgang wiederholen, um einen anderen Schalter zuzuweisen oder den aktuellen Schalter zu deaktivieren

### Hebelpositionen für SAFE Select-Schalterbelegungen



**TIPP:** Den Kanalmonitor zur Überprüfung der Kanalbewegung verwenden.

Dieses Beispiel eines Kanalmonitors zeigt die Hebelpositionen für das Zuweisen eines Schalters, wobei für den Schalter Aux2 ausgewählt und ein Verfahrweg von +/- 100 % am Schalter eingestellt wurde .



### Vorwärtsprogrammierung SAFE Select-Setup

DX-Serie, NX Serie, iX Serie	1. Beginnen Sie mit dem an den Empfänger gebundenen Sender.
	2. Schalten Sie den Sender ein.
	3. Weisen Sie SAFE Select einen Schalter zu, der noch nicht durch eine andere Funktion belegt ist. Verwenden Sie einen beliebigen offenen Kanal zwischen 5 und 9 (Getriebe, Aux1-4).
	4. Schalter H (Gasabschaltung) einstellen, um unbeabsichtigten Motorbetrieb zu verhindern.
	5. Schalten Sie das Fluggerät ein. Auf dem Hauptbildschirm Ihres Senders erscheint eine Signalleiste, wenn Telemetrieinformationen eingehen.
	6. Auf FUNCTION LIST [Funktionsliste] (Model Setup) [Modell-Setup] gehen
	7. Wählen Sie Vorwärtsprogrammierung; Wählen Sie Kreiseinstellungen, Wählen Sie SAFE Select um das Menü aufzurufen.
	8. SAFE Select Kanal einstellen; Auf den Kanal, den Sie für SAFE Select gewählt haben.
	9. Wählen Sie AS3X und SAFE On oder Off wie für jede Schaltposition gewünscht.

## Integrierte Geschwindigkeitsregler-Telemetrie

Dieses Flugzeug ist im Geschwindigkeitsregler und Empfänger mit Telemetrie-Technologie ausgestattet, die Informationen wie Motordrehzahl, Spannung, Motorstrom, Gaseinstellung (%) und FET-Temperatur (Geschwindigkeitsregler) liefern kann.

Weitere Informationen zu kompatiblen Sendern, Firmware-Aktualisierungen und zur Telemetrie-Technologie auf Ihrem Sender finden Sie unter [www.SpektrumRC.com](http://www.SpektrumRC.com).

### Telemetrie-Konfiguration

DX-Serie, NX Serie, iX Serie	1. Beginnen Sie mit dem an den Empfänger gebundenen Sender.
	2. Schalten Sie den Sender ein.
	3. Schalter H (Gasabschaltung) einstellen, um unbeabsichtigten Motorbetrieb zu verhindern.
	4. Schalten Sie das Fluggerät ein. Auf dem Hauptbildschirm Ihres Senders erscheint eine Signalleiste, wenn Telemetrieinformationen eingehen.
	5. Auf FUNCTION LIST [Funktionsliste] (Model Setup) [Modell-Setup] gehen
	6. TELEMETRY [Telemetrie]; Smart ESC [Smart-Geschwindigkeitsregler] auswählen
	7. Total Cells [Gesamtzahl Zellen] einstellen: 3
	8. LVC Alarm einstellen: 3,4 V Alarm einstellen; Voice/Vibe [Voice/Vibration]
	9. Pole count [Polzahl] einstellen; 14 Pole

## Steuerrichtungstests

Den Sender einschalten und den Akku anschließen. Den Sender zum Steuern der Querruder-, Höhenruder- und Seitenrudersteuerungen verwenden. Beim Prüfen der Steuerungsrichtungen das Fluggerät von hinten ansehen.

Dieses Modell hat eine eingebaute Querruder-Seitenruder-Mischung, bei Auslenkung der Querruder wird das Seitenruder bewegt.

### Höhenruder

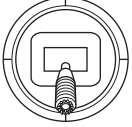
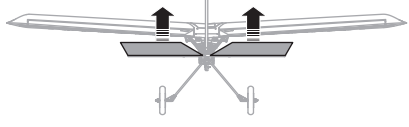
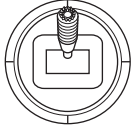
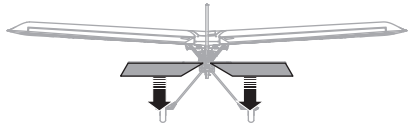
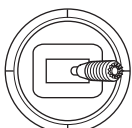
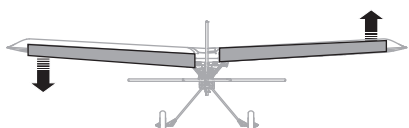
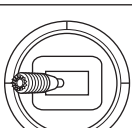
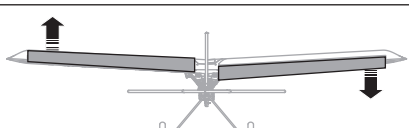
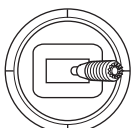
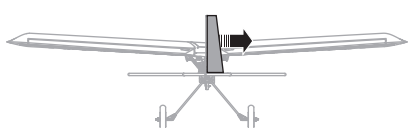
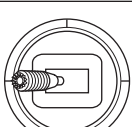
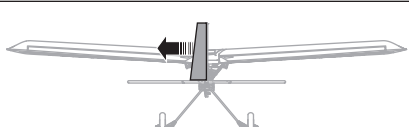
1. Den Höhenruder-Hebel zurückziehen. Die Höhenruder sollten sich nach oben bewegen, sodass das Fluggerät steigt.
2. Den Höhenruder-Hebel nach vorne drücken. Die Höhenruder sollte sich nach unten bewegen, sodass das Fluggerät sinkt.

### Querruder

1. Den Querruder-Hebel nach rechts bewegen. Das rechte Querruder sollte sich nach oben und das linke Querruder nach unten bewegen, sodass sich das Fluggerät nach rechts neigt.
2. Den Querruder-Hebel nach links bewegen. Das linke Querruder sollte sich nach oben und das rechte Querruder nach unten bewegen, sodass sich das Fluggerät nach links neigt.

### Seitenruder

1. Den Seitenruder-Hebel nach rechts bewegen. Das Seitenruder sollte sich nach rechts bewegen, sodass das Fluggerät nach rechts giert.
2. Den Seitenruder-Hebel nach links bewegen. Das Seitenruder sollte sich nach links bewegen, sodass das Flugzeug nach links giert.

	Sendersteuerung	Reaktion der Steueroberflächen
Höhenruder		
		
Querruder		
		
Seitenruder		
		

## AS3X-Kontrolle Lenktest

Dieser Test stellt sicher, dass das AS3X®-Steuersystem ordnungsgemäß funktioniert. Das Flugzeug zusammenbauen und Sender am Empfänger binden, ehe dieser Test durchgeführt wird.

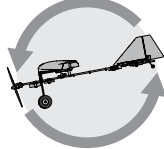
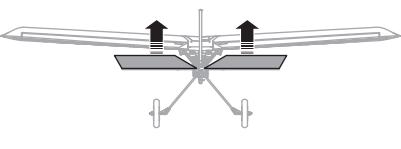
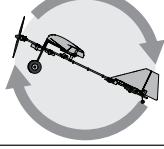
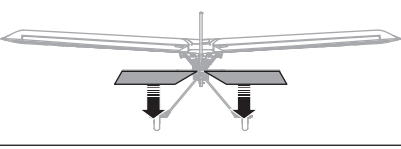
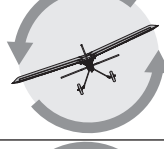
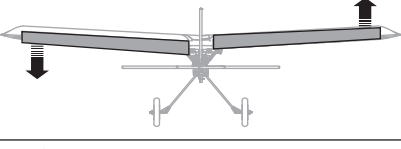
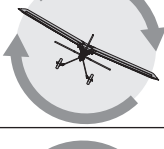
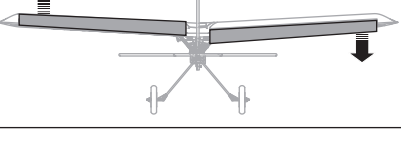
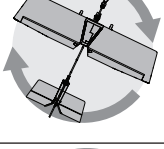
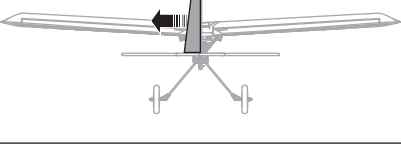
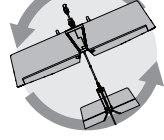
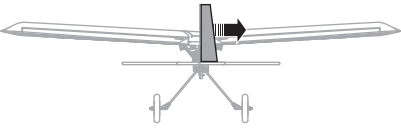
1. Gashebel bis kurz über 25 % heben, dann Gashebel senken, um die AS3X-Technologie zu aktivieren.

**⚠ ACHTUNG:** Alle Körperteile, Haare und locker getragene Kleidung von dem sich drehenden Propeller fernhalten, da sich diese im Propeller verfangen können.

2. Das gesamte Flugzeug wie abgebildet bewegen und sicherstellen, dass sich die Steuerflächen in die laut der Grafik ausgewiesenen Richtung bewegen. Reagieren die Steuerflächen nicht wie abgebildet, das Flugzeug nicht fliegen. Siehe Handbuch des Empfängers zu weiteren Informationen.

Die Steuerflächen können sich schnell bewegen, sobald das AS3X-System aktiv ist. Das ist normal. AS3X bleibt bis zur Trennung des Akkus aktiv.

Aufgrund unterschiedlicher Auswirkungen von Drehmoment, Auftrieb und Luftwiderstand erfordern einige Flugzeuge Trimmänderungen mit unterschiedlichen Geschwindigkeiten und Gaseinstellungen. Mischungen werden vorab in den Empfänger geladen, um diese Änderungen zu kompensieren. Die Mischungen werden aktiv, wenn das Gas zum ersten Mal über 25 % angehoben wird. Die Ruder können bei unterschiedlichen Gaseinstellungen nach dem ersten Anheben des Gases leicht versetzt sein. Das Trimmen des Flugzeugs im Flug sollte mit 80-100% Gas erfolgen, um beste Ergebnisse zu erzielen.

	Flugzeug bewegung	AS3X Reaktion
Höhenruder		
		
Querruder		
		
Seitenruder		
		

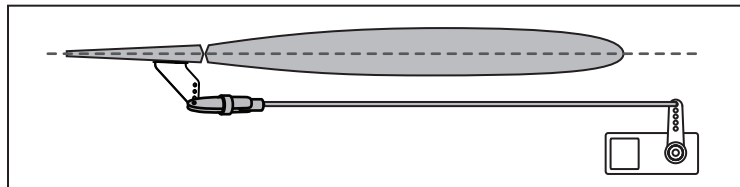
## Zentrieren der Steuerflächen und Anpassen eines Gabelkopfs

**IMPORTANT:** Perform the Control Direction Test before performing control surface centering.

While SAFE is inactive, mechanically center the control surfaces.

**IMPORTANT:** Correct operation of the SAFE system requires sub-trim and trim at 0.

After binding a transmitter to the receiver, set the trims and sub-trims to 0, ensure the servo arms are in the correct positions, then adjust the linkages to center the control surfaces.



### Gabelkopf entfernen

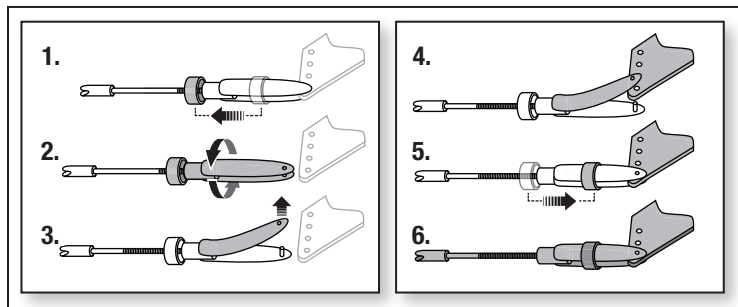
1. Das Halterungsrohr vom Gabelkopf schieben.
2. Den Gabelkopf vorsichtig spreizen und den Gabelkopfbolzen aus dem Steuerhorn entfernen.

### Den Gabelkopf anpassen

3. Den Gabelkopf drehen, um die Länge des Gestänges anzupassen.

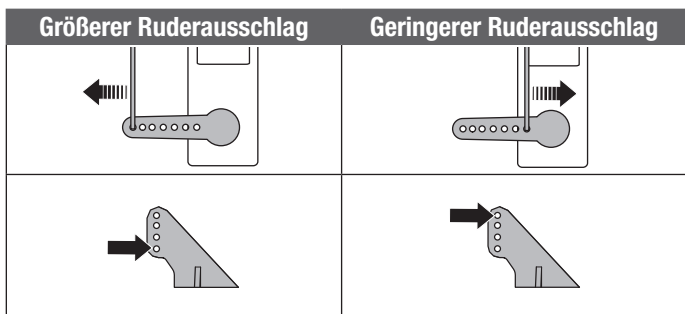
### Den Gabelkopf wieder anbringen

4. Den Gabelkopf vorsichtig spreizen und den Gabelkopfbolzen in die spezielle Bohrung im Steuerhorn einführen.
5. Das Halterungsrohr bewegen, um den Gabelkopf am Steuerhorn zu sichern.



## Horn- und Servoarm-Einstellungen

Die Tabelle rechts zeigt die werkseitigen Einstellungen der Steuerhörner und Servoarme. Das Fluggerät mit den Werkseinstellungen fliegen, ehe Änderungen vorgenommen werden.



	Steuerhörner	Servoarme
Höhenruder		
Seitenruder		
Querruder		

## Duale Geschwindigkeit

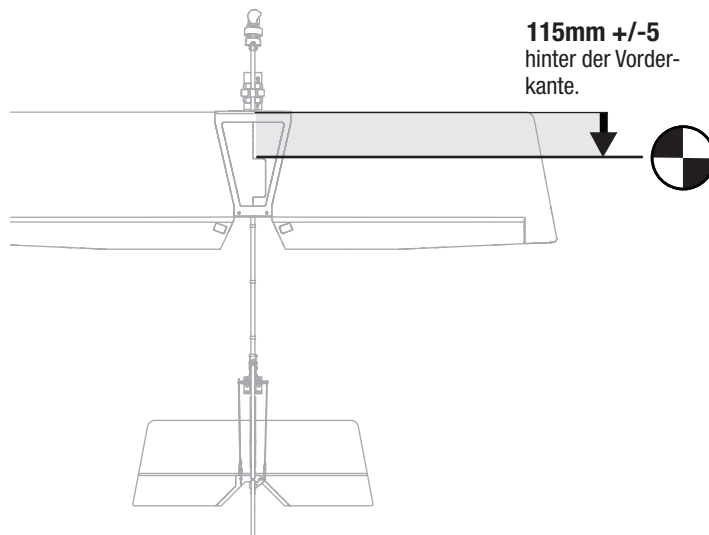
Den Sender programmieren, um die Geschwindigkeiten und Ruderausschläge auf die angegebenen Werte einzurichten. Diese Werte wurden getestet und sind ein guter Ausgangspunkt, um erfolgreiche Flüge zu erreichen.

	Hohe Geschwindigkeit	Niedrige Geschwindigkeit
Querruder	▲ = 12mm ▼ = 12mm	▲ = 8mm ▼ = 8mm
Höhenruder	▲ = 15mm ▼ = 15mm	▲ = 11mm ▼ = 11mm
Seitenruder	▶ = 25mm ◀ = 25mm	▶ = 15mm ◀ = 15mm

## Der Schwerpunkt (CG)

Die CG-Position wird von der Vorderkante des Flügels gemessen. Die Position des Schwerpunkts wurde mit dem empfohlenen 3S 1300 mAh Li-Po-Akku (SPMX133S30) bestimmt, der an der Vorderkante der Akkuhalterung montiert wurde. Den Akku bei Bedarf nach vorn oder hinten ausrichten, um den korrekten Schwerpunkt zu erreichen.

**ACHTUNG:** Akkus einsetzen, aber den Geschwindigkeitsregler während der Prüfung des CGs nicht aktivieren. Dies kann Verletzungen verursachen.



115mm +/-5  
hinter der Vorder-  
kante.

## Tipps für das Fliegen mit Safe Select

Wenn das Flugzeug im SAFE Select-Modus fliegt, kehrt es in den Horizontalflug zurück, wenn sich die Querruder- und Höhenrudersteuerung auf Neutral befinden. Mit der Querruder- oder Höhenrudersteuerung kann bewirkt werden, dass das Flugzeug sich neigt, steigt oder in einen Sturzflug übergeht. Zudem bestimmt die Intensität mit der Steuerhebel bewegt wird die Fluglage des Flugzeugs. Die volle Kontrolle zu behalten, fordert die voreingestellten Neigungs- und Rollgrenzen des Flugzeugs heraus, führt aber nicht zu einem Überschreiten dieser Winkel.

Beim Fliegen mit SAFE Select wird der Steuerhebel normalerweise in ausgelenkter Position gehalten, bei moderater Eingabe beim Querruder in Kurven. Um mit SAFE Select reibungslos zu fliegen, häufige Steuerungsänderungen vermeiden und das Korrigieren kleinerer Abweichungen möglichst vermeiden. Durchdachte Steuereingaben geben dem Flugzeug den Befehl, in einem bestimmten Winkel zu fliegen und das Modell nimmt alle Anpassungen vor, um die Fluglage zu halten.

Beim Fliegen mit SAFE Select, sorgt das Gas dafür, dass das Flugzeug steigt oder sinkt. Vollgas führt dazu, dass das Flugzeug leicht die Nase anhebt und steigt. Mittleres Gas hält das Flugzeug in der jeweiligen Flughöhe. Geringes Gas führt dazu, dass das Flugzeug mit der Nase nach unten langsam sinkt.

Die Höhen- und Querrudersteuerung auf Neutral stellen, und dann vom SAFE Select-Modus in den AS3X-Modus wechseln. Wird beim Umschalten in den AS3X-Modus die Steuerung nicht neutralisiert, sind die für den SAFE Select-Modus verwendeten Steuereingänge für den AS3X-Modus zu groß und das Flugzeug reagiert sofort.

## Trimmung während des Fluges

Das Fluggerät beim ersten Flug für Horizontalflug mit Gashebel auf 80-100%, mit eingefahrenen Klappen und eingefahrenem Fahrwerk trimmen (DIES WIRD ENTFERNT). Zum Erreichen des geraden Horizontalflugs des Fluggeräts kleine Trimmkorrekturen mit den Trimmaltern des Senders vornehmen..

Nach erfolgter Einstellung der Trimmung berühren Sie die Steuerknüppel 3 Sekunden lang nicht. Dadurch erhält der Empfänger die Informationen über die zur Optimierung der AS3X-Leistung geeigneten Einstellungen.

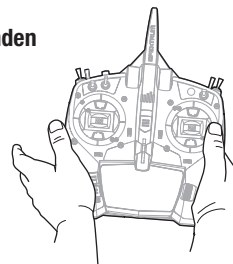
Wenn Sie dies nicht tun, kann die Flugleistung beeinträchtigt werden.

## Unterschiede zwischen den Modi SAFE Select und AS3X

Dieser Abschnitt ist grundsätzlich präzise, berücksichtigt aber nicht die Fluggeschwindigkeit, den Ladezustand der Batterie und andere einschränkende Faktoren.

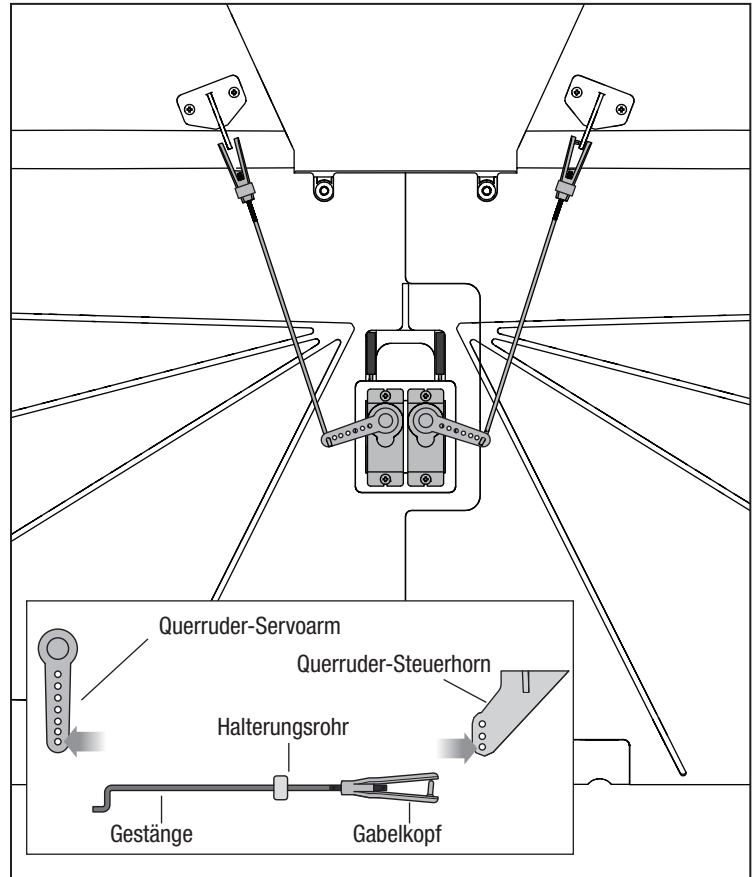
		SAFE Select	AS3X
Steuereingabe	Steuerhebel wird in Neutralposition gebracht	Flugzeug richtet sich selbst aus	Flugzeug behält aktuelle Position bei
	Geringfügige Steuereingaben	Flugzeug wird in eine moderate Schräglage bzw. Neigung bewegt, wo es verbleibt.	Weiterhin langsames Neigen und Rollen des Flugzeugs
	Volle Steuerung	Flugzeug wird bis zu den vorgegebenen Grenzen in Schräglage bzw. Neigung bewegt, wo es verbleibt.	Weiterhin schnelles Neigen und Rollen des Flugzeugs
	Gas	Vollgas: Ansteigen Neutral: Horizontalflug Geringes Gas: Sinken mit der Nase nach unten	Gas beeinträchtigt die Flugreaktion nicht.

3 Sekunden



## Wahlweise Zwei-Servo-Querrudereinstellung

1. Die Tragfläche vom Fluggerät entfernen.
2. Die Schraube des Servoarms und den eingebauten Servoarm entfernen.
3. Der Servoarm wurde vom Z-Bogen der beiden Schubstangen entfernt.
4. Entfernen Sie die 2 Schrauben, mit denen das Servo an der Tragfläche befestigt ist.
5. Bringen Sie das Servo wieder links von der Servotasche an und richten Sie es an den linken Positionsschraubenlöchern aus.
6. Führen Sie das Servokabel und den Stecker aus der Servotasche und sichern Sie das Servo mit den 2 Schrauben.
7. Montieren Sie ein zweites Querruderservo (SPMSA345SL, nicht im Lieferumfang enthalten) in der rechten Servoposition in der Servotasche.
8. Führen Sie den Servostecker und den Steckverbinder in den rechten Kanal ein, der aus der Servotasche austritt, und richten Sie die Schrauben mit den Schraubenlöchern aus und befestigen Sie diese.
9. Schließen Sie das rechte Servo an Kanal 2 und das linke Servo an Kanal 6 des Empfängers an.
10. Ändern Sie in den Systemeinstellungen Ihres Senders den Flugzeugtyp auf Dual Aileron.
11. Schließen Sie einen Akku an das Flugzeug an und schalten Sie das Flugzeug ein, um die Servos auszurichten.
12. Verbinden Sie den Z-Bogen des Steuergestänges mit dem äußersten Loch des neuen Servohorns (EFL0370, erforderlich und nicht im Lieferumfang enthalten). Wiederholen Sie den Vorgang für das andere Servohorn.
13. Montieren Sie das Servohorn so nah wie möglich am 90-Grad-Winkel auf das Servo und sichern Sie es mit einer Schraube.
14. Setzen Sie das Gabelkopfe des neuen Gestänges in das äußerste Loch des Querrudersteuerhorns ein.
15. Vergewissern Sie sich, dass die Querrudersteuerflächen mittig ausgerichtet sind; stellen Sie gegebenenfalls die Schubstange mechanisch ein, um das Querruder zu zentrieren.
16. Montieren Sie die Tragfläche am Rumpf.



### Computergestützte Senderkonfiguration

Die gesamte Senderprogrammierung mit einem leeren ACRO-Modell (eine Zurücksetzung des Modells durchführen) beginnen, dann das Modell benennen.

Duale Geschwindigkeit einstellen auf	2-Positionen-Schalter	3-Positionen-Schalter
	HOCH 100 %	HOCH 100 %
	NIEDRIG 70 %	MITTIG 70 %
Servoverfahrweg einstellen auf	100 %	
Gasabschaltung auf	-100 %	

DX6e †	1. Auf SYSTEM SETUP [Systemkonfiguration] gehen (Model Utilities) [Modell-Dienstprogramme] †
DX6 † (Gen2)	
DX7 † (Gen2)	2. MODEL TYPE [Modelltyp] einstellen: AIRPLANE [Flugzeug]
NX6 †	
DX8e	3. AIRCRAFT TYPE [Flugzeugtyp] einstellen: Model Setup (Modellkonfiguration), Aircraft Type (Fluggerättyp) †:  TRAGFLÄCHE: Doppelpes Querruder
DX8 (Gen2)	
DX9	
DX10t	
DX18	
DX20	
iX12 †	
iX20 †	
NX6	
NX8	
NX10	

## Nach dem Flug

1. Den Flug-Akku vom Geschwindigkeitsregler trennen (für die Sicherheit und die Lebensdauer des Akkus erforderlich).
2. Sender ausschalten.
3. Den Flug-Akku vom Flugzeug entfernen.
4. Alle beschädigten Teile reparieren oder ersetzen.

5. Den Flug-Akku getrennt vom Flugzeug lagern und den Akku-Ladezustand überwachen.
6. Mit Blick auf die Planung zukünftiger Flüge, die Flugbedingungen und Flugergebnisse notieren.

## Motorwartung

**ACHTUNG:** Vor der Motorwartung immer den Flugakku trennen.

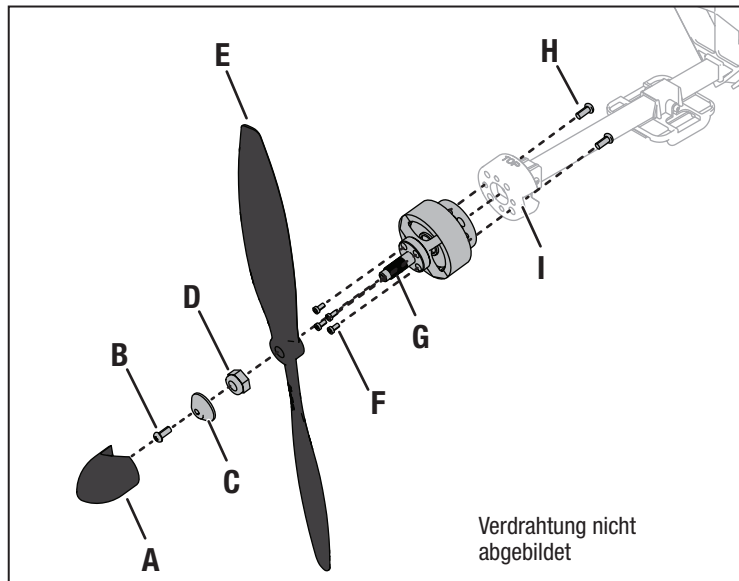
### Zerlegen

1. Den Spinner (A), die Schraube (B), die Unterlegscheibe (C), die Propellermutter (D) und den Propeller (E) entfernen.
2. Die 4 Schrauben (F) von der Propellerwelle (G) entfernen.
3. Die Propellerwelle von der Motorwelle entfernen.
4. Die 2 Schrauben (H) von der Motorhalterung (I) und dem Rumpf entfernen.
5. Die Motordrähte von den Drähten des Geschwindigkeitsreglers trennen.

### Zusammenbau

Alles in umgekehrter Reihenfolge wieder zusammenbauen.

- Die Aderfarben der Motordrähte korrekt mit den Drähten des Geschwindigkeitsreglers verbinden.
- Den Propeller montieren, dabei müssen die eingepprägten Größennummern (11 x 5,5) nach vorn zeigen.
- Die Propellermutter mit einem 10mm Schraubenschlüssel festziehen.
- Schieben Sie den Gummispinner wieder auf die Kunststoffhalterung des Spinners.



## Warten des Servos

Steuerfläche	Ersatzservo	Beschreibung
Querruder	SPMSA345SL	A345SL 9g Sub-Micro-Servo
Höhenruder		
Seitenruder		

## AS3X Fehlerbehebung

Problem	Mögliche Ursache	Lösung
Oszillation	Beschädigter Propeller oder Spinner	Propeller oder Spinner ersetzen
	Propeller im Ungleichgewicht	Propeller ausbalancieren. Zu weiteren Informationen das Video von John Redman zum Ausbalancieren des Propellers unter <a href="http://www.horizonhobby.com">www.horizonhobby.com</a> ansehen
	Motorvibrationen	Bauteile ersetzen oder alle Bauteile korrekt ausrichten und Befestiger festziehen, je nach Bedarf
	Loser Empfänger	Empfänger im Rumpf ausrichten und sichern
	Lose Flugzeugsteuerungen	Bauteile (Servo, Arm, Gestänge, Horn und Steueroberfläche) festziehen oder anderweitig sichern
	Verschlossene Bauteile	Verschlossene Bauteile (insbesondere Propeller, Spinner oder Servo) ersetzen
	Ungleichmäßige Servobewegungen	Servo ersetzen
Ungleichmäßige Flugleistung	Trimmung ist nicht auf Neutral	Wird die Trimmung um mehr als 8 Klicks angepasst, die Schraube im Gestängeanker am Servo lösen und das Gestänge verschieben, dann die Schraube wieder anziehen.
	Ersatztrimmung ist nicht auf Neutral	Keine Ersatztrimmung zugelassen. Servogestänge anpassen
	Flugzeug wurde dem Verbinden des Akkus nicht für 5 Sekunden still gehalten	Gashebel in niedrigster Position. Akku trennen, dann Akku wieder anschließen und Flugzeug für 5 Sekunden still halten
Falsche Reaktion auf den AS3X-Steuerrichtungstest	Falsche Richtungseinstellungen im Empfänger, was zu Abstürzen führen kann	NICHT fliegen. Product Support kontaktieren, um eine Lösung zu finden.

## Fehlerbehebung

Problem	Mögliche Ursache	Lösung
Flugzeug reagiert nicht auf Gas, aber auf alle anderen Steuerungen	Gas nicht im Leerlauf und/oder Gastrimmung zu hoch	Die Steuerungen mit Gashebel und Gastrimmung auf niedrigster Einstellung zurücksetzen
	Verfahrweg des Gasservo liegt unter 100 %	Sicherstellen, dass Verfahrweg des Gasservos 100 % oder höher ist
	Gaskanal ist umgekehrt	Gaskanal auf dem Sender umkehren
	Motor vom Geschwindigkeitsregler getrennt	Sicherstellen, dass der Motor mit dem Geschwindigkeitsregler verbunden ist
Zusätzliche Geräusche am Propeller oder zusätzliche Vibrationen	Beschädigter Propeller und Spinner, Klemmbuchse oder Motor	Beschädigte Bauteile ersetzen
	Propeller ist nicht in Balance	Propeller ausbalancieren oder ersetzen
	Propellermutter zu locker	Propellermutter festziehen
Flugzeit reduziert oder Flugzeug untermotorisiert	Ladezustand des Akkus ist niedrig	Flug-Akku komplett aufladen
	Propeller verkehrt herum montiert	Propeller mit Zahlen nach vorne weisend montieren
	Flug-Akku beschädigt	Flug-Akku ersetzen und Anweisungen zum Flug-Akku befolgen
	Flugbedingungen können zu kalt sein	Sicherstellen, dass der Akku vor der Verwendung warm ist
	Akku-Kapazität für die Flugbedingungen zu gering	Akku ersetzen oder einen Akku mit höherer Kapazität verwenden
Flugzeug bindet (während des Bindens) nicht am Sender	Sender während des Bindungsvorgangs zu nah am Flugzeug	Eingeschalteten Sender vom Flugzeug wegbewegen, Flug-Akku vom Flugzeug trennen und wieder anschließen
	Flugzeug oder Sender zu nah an einem großen Metallobjekt, einer drahtlosen Quelle oder einem anderen Sender	Flugzeug und Sender an eine andere Stelle bringen und das Binden erneut versuchen
	Der Bindungsstecker ist nicht richtig im Bindungsanschluss montiert	Bindungsstecker im Bindungsanschluss montieren und Flugzeug am Sender binden
	Ladezustand des Flug-Akkus/Sender-Akkus zu niedrig	Akkus ersetzen/aufladen
	Bindungsschalter oder -taster während des Bindungsvorgangs nicht lange genug gehalten	Sender ausschalten und den Bindungsvorgang wiederholen. Bindungsschalter oder -taster des Senders halten, bis der Empfänger gebunden ist
Flugzeug verbindet sich (während des Bindens) nicht mit dem Sender	Sender während des Verbindungsvorgangs zu nah am Flugzeug	Eingeschalteten Sender vom Flugzeug wegbewegen, Flug-Akku vom Flugzeug trennen und wieder anschließen
	Flugzeug oder Sender zu nah an einem großen Metallobjekt, einer drahtlosen Quelle oder einem anderen Sender	Flugzeug und Sender an eine andere Stelle bringen und das Binden erneut versuchen
	Bindungsstecker verbleibt im Bindungsanschluss montiert	Den Sender am Flugzeug binden und den Bindungsstecker entfernen, ehe die Stromzufuhr ein- und ausgeschaltet wird
	Flugzeug an einem anderen Modellspeicher gebunden (nur ModelMatch™-Funkgeräte)	Korrekten Modellspeicher auf dem Sender wählen
	Ladezustand des Flug-Akkus/Sender-Akkus zu niedrig	Akkus ersetzen/aufladen
	Der Sender kann an ein anderes Flugzeug mit einem anderen DSM-Protokoll gebunden sein	Flugzeug an den Sender binden



## Ersatzteile

Teile-Nr.	Beschreibung
EFL0351	Rechter Flügel: Slow Ultra Stick
EFL0352	Linker Flügel: Slow Ultra Stick
EFL0353	Flügelverbindung: Slow Ultra Stick
EFL0354	Steckungsrohr: Slow Ultra Stick
EFL0355	Daumenschraubensatz: Slow Ultra Stick
EFL0356	Vordere Flügelstütze: Slow Ultra Stick
EFL0357	Hintere Flügelstütze: Slow Ultra Stick
EFL0358	Halterung: Slow Ultra Stick
EFL0359	Motorhalterung: Slow Ultra Stick
EFL0360	Gummispinner: Slow Ultra Stick
EFL0361	Propelleradapter: Slow Ultra Stick
EFL0362	Fahrwerksatz: Slow Ultra Stick
EFL0363	Steuerhornsatz: Slow Ultra Stick
EFL0364	Steuerkettensatz: Slow Ultra Stick
EFL0365	Kabelhalterungsset: Slow Ultra Stick
EFL0366	Rumpf: Slow Ultra Stick
EFL0367	Rumpfbefestiger: Slow Ultra Stick
EFL0368	Seitenleitwerk: Slow Ultra Stick
EFL0369	Höhenleitwerk: Slow Ultra Stick
EFL0370	Servoarm-Satz: Slow Ultra Stick
EFL0371	Decalsatz: Slow Ultra Stick
EFL0372	Hardwaresatz: Slow Ultra Stick
EFLP1155	Propeller: 11 x 5,5
SPMSA345SL	A345SL 9g Sub-Micro-Servo; 60 mm L
SPMXAE30D	Avian 30A Bürstenloser Smart-Geschwindigkeitsregler
SPMXAM2800	Bürstenloser Motor: 3513-1100Kv
SPMAR630	AR630 DSMX 6-Kanal AS3X & SAFE Empfänger

## Empfohlene Artikel

Teile-Nr.	Beschreibung
SPMR6655	Nur DX6e-Sender mit 6 Kanälen
SPMX133S30	1300mAh 3S 11,1V Smart G2 30C;
SPMXC2050	Smart S155 G2 1x55W Wechselstrom-Ladegerät

## Optionale Teile

Teile-Nr.	Beschreibung
SPMR8105	Nur NX8e-Sender mit 8 Kanälen
SPMR6775	Nur NX6 6-Kanal-Sender
SPMR8200	Nur NX8-Sender mit 8 Kanälen
SPMXC2080	Smart S1100 G2 Wechselstrom-Ladegerät, 1x100 W
SPMX22003S30	2200 mAh 3S 11,1 V Smart 30C; IC3
SPMX223S30	2200 mAh 3S 11,1V Smart G2 30C;
APC11055E	Elektrischer Propeller, 11 x 5,5E
SPMSA345SL	A345 9g Sub-Micro Digital Servo; 60mm Leitung
EFL0370	Servoarm-Satz: Slow Ultra Stick

## Hardware

Menge	Standort	Beschreibung
4	M3 x 6 mm Maschinenschraube	Zur Sicherung des Motors an der Motorhalterung
1	M2 x 6 mm Maschinenschraube	Zur Sicherung der Geschwindigkeitsreglerhalterung am Rumpf
1	M3 x 22 mm Daumenschrauben	Zur Sicherung des horizontalen Stabilisators am Rumpf
3	2,3 x 4,5mm Blechschraube	Zur Sicherung des Servoarms am Servo
4	2 x 8mm Blechschraube	Zur Sicherung des Steuerhorns an der Steuerfläche
2	M3 x 22mm Maschinendaumenschraube	Zur Sicherung der Tragfläche am Rumpf
1	M3 x 6 mm Maschinenschraube	Zur Sicherung der Spinner-Haltescheibe
1	M6 Propellerschraubenmutter	Zur Sicherung des Propellers an der Propellerwelle
4	M2 x 7 mm Maschinenschraube	Zur Sicherung des Propelleradapters am Motor
1	M2 x 14 mm Maschinenschraube	Zur Sicherung der Motorhalterung am Rumpf
1	M2 x 14 mm Maschinenschraube	Zur Sicherung der Akkuhalterung am Rumpf
1	M2 x 14 mm Maschinenschraube	Zur Sicherung der Tragflächenhalterung am Rumpf
1	M2 x 14 mm Maschinenschraube	Zur Sicherung der hinteren Tragflächenhalterung am Rumpf
1	M2 x 6 mm Maschinenschraube	Zur Sicherung der Empfängerhalterung am Rumpf.
6	2 x 8mm Blechschraube	Zur Sicherung der Servos am Rumpf
4	M2 x 14 mm Maschinenschraube	Zur Sicherung der beiden Rumpfhälften miteinander
1	12.8mm x 500mm	Steckungsrohr
2	Durchmesser 85mm, Breite 17mm, Achse 3mm	Hauptrad
1	Durchmesser 21mm, Breite 7mm, Achse 1,3mm	Spornrad

## Haftungsbeschränkung

### Warnung

Ein ferngesteuertes Modell ist kein Spielzeug. Es kann, wenn es falsch eingesetzt wird, zu erheblichen Verletzungen bei Lebewesen und Beschädigungen an Sachgütern führen. Betreiben Sie Ihr RC-Modell nur auf freien Plätzen und beachten Sie alle Hinweise der Bedienungsanleitung des Modells wie auch der Fernsteuerung.

### Garantiezeitraum

Exklusive Garantie Horizon Hobby LLC (Horizon) garantiert, dass das gekaufte Produkt frei von Material- und Montagefehlern ist. Der Garantiezeitraum entspricht den gesetzlichen Bestimmungen des Landes, in dem das Produkt erworben wurde. In Deutschland beträgt der Garantiezeitraum 6 Monate und der Gewährleistungszeitraum 18 Monate nach dem Garantiezeitraum.

### Einschränkungen der Garantie

- Die Garantie wird nur dem Erstkäufer (Käufer) gewährt und kann nicht übertragen werden. Der Anspruch des Käufers besteht in der Reparatur oder dem Tausch im Rahmen dieser Garantie. Die Garantie erstreckt sich ausschließlich auf Produkte, die bei einem autorisierten Horizon Händler erworben wurden. Verkäufe an Dritte werden von dieser Garantie nicht gedeckt. Garantieansprüche werden nur angenommen, wenn ein gültiger Kaufnachweis erbracht wird. Horizon behält sich das Recht vor, diese Garantiebestimmungen ohne Ankündigung zu ändern oder modifizieren und widerruft dann bestehende Garantiebestimmungen.
- Horizon übernimmt keine Garantie für die Verkaufbarkeit des Produktes, die Fähigkeiten und die Fitness des Verbrauchers für einen bestimmten Einsatzzweck des Produktes. Der Käufer allein ist dafür verantwortlich, zu prüfen, ob das Produkt seinen Fähigkeiten und dem vorgesehenen Einsatzzweck entspricht.
- Ansprüche des Käufers → Es liegt ausschließlich im Ermessen von Horizon, ob das Produkt, bei dem ein Garantiefall festgestellt wurde, repariert oder ausgetauscht wird. Dies sind die exklusiven Ansprüche des Käufers, wenn ein Defekt festgestellt wird.

Horizon behält sich vor, alle eingesetzten Komponenten zu prüfen, die in den Garantiefall einbezogen werden können. Die Entscheidung zur Reparatur oder zum Austausch liegt nur bei Horizon. Die Garantie schließt kosmetische Defekte oder Defekte, hervorgerufen durch höhere Gewalt, falsche Behandlung des Produktes, falscher Einsatz des Produktes, kommerziellen Einsatz oder Modifikationen irgendwelcher Art aus.

Die Garantie schließt Schäden, die durch falschen Einbau, falsche Handhabung, Unfälle, Betrieb, Service oder Reparaturversuche, die nicht von Horizon ausgeführt wurden aus.

Ausgeschlossen sind auch Fälle die bedingt durch (vii) eine Nutzung sind, die gegen geltendes Recht, Gesetze oder Regularien verstoßen haben. Rücksendungen durch den Käufer direkt an Horizon oder eine seiner Landesvertretung bedürfen der Schriftform.

### Schadensbeschränkung

Horizon ist nicht für direkte oder indirekte Folgeschäden, Einkommensausfälle oder kommerzielle Verluste, die in irgendeinem Zusammenhang mit dem Produkt stehen verantwortlich, unabhängig ob ein Anspruch im Zusammenhang mit einem Vertrag, der Garantie oder der Gewährleistung erhoben werden. Horizon wird darüber hinaus keine Ansprüche aus einem Garantiefall akzeptieren, die über den individuellen Wert des Produktes hinaus gehen. Horizon hat keinen Einfluss auf den Einbau, die Verwendung oder die Wartung des Produktes oder etwaiger Produktkombinationen, die vom Käufer gewählt werden. Horizon übernimmt keine Garantie und akzeptiert keine Ansprüche für in der Folge auftretende Verletzungen oder Beschädigungen. Mit der Verwendung und dem Einbau des Produktes akzeptiert der Käufer alle aufgeführten Garantiebestimmungen ohne Einschränkungen und Vorbehalte.

Wenn Sie als Käufer nicht bereit sind, diese Bestimmungen im Zusammenhang mit der Benutzung des Produktes zu akzeptieren, werden Sie gebeten, das Produkt in unbenutztem Zustand in der Originalverpackung vollständig bei dem Verkäufer zurückzugeben.

### Sicherheitshinweise

Dieses ist ein hochwertiges Hobby Produkt und kein Spielzeug. Es muss mit Vorsicht und Umsicht eingesetzt werden und erfordert einige mechanische wie auch mentale Fähigkeiten. Ein Versagen, das Produkt sicher und umsichtig zu betreiben kann zu Verletzungen von Lebewesen und Sachbeschädigungen erheblichen Ausmaßes führen. Dieses Produkt ist nicht für den Gebrauch durch Kinder ohne die Aufsicht eines Erziehungsberechtigten vorgesehen. Die Anleitung enthält Sicherheitshinweise und Vorschriften sowie Hinweise für die Wartung und den Betrieb des Produktes. Es ist unabdingbar, diese Hinweise vor der ersten Inbetriebnahme zu lesen und zu verstehen. Nur so kann der falsche Umgang verhindert und Unfälle mit Verletzungen und Beschädigungen vermieden werden.

### Fragen, Hilfe und Reparaturen

Ihr lokaler Fachhändler und die Verkaufsstelle können eine Garantiebeurteilung ohne Rücksprache mit Horizon nicht durchführen. Dies gilt auch für Garantiereparaturen. Deshalb kontaktieren Sie in einem solchen Fall den Händler, der sich mit Horizon kurz schließen wird, um eine sachgerechte Entscheidung zu fällen, die Ihnen schnellstmöglich hilft.

### Wartung und Reparatur

Muss Ihr Produkt gewartet oder repariert werden, wenden Sie sich entweder an Ihren Fachhändler oder direkt an Horizon.

Rücksendungen / Reparaturen werden nur mit einer von Horizon vergebenen RMA Nummer bearbeitet. Diese Nummer erhalten Sie oder Ihr Fachhändler vom technischen Service. Mehr Informationen dazu erhalten Sie im Serviceportal unter [www.horizonhobby.de](http://www.horizonhobby.de) oder telefonisch bei dem technischen Service von Horizon. Packen Sie das Produkt sorgfältig ein. Beachten Sie, dass der Originalkarton in der Regel nicht ausreicht, um beim Versand nicht beschädigt zu werden. Verwenden Sie einen Paketdienstleister mit einer Tracking Funktion und Versicherung, da Horizon bis zur Annahme keine Verantwortung für den Versand des Produktes übernimmt. Bitte legen Sie dem Produkt einen Kaufbeleg bei, sowie eine ausführliche Fehlerbeschreibung und eine Liste aller eingesendeten Einzelkomponenten. Weiterhin benötigen wir die vollständige Adresse, eine Telefonnummer für Rückfragen, sowie eine Email Adresse.

### Garantie und Reparaturen

Garantieanfragen werden nur bearbeitet, wenn ein Originalkaufbeleg von einem autorisierten Fachhändler beiliegt, aus dem der Käufer und das Kaufdatum hervorgeht. Sollte sich ein Garantiefall bestätigen wird das Produkt repariert oder ersetzt. Diese Entscheidung obliegt einzig Horizon Hobby.

### Kostenpflichtige Reparaturen

Liegt eine kostenpflichtige Reparatur vor, erstellen wir einen Kostenvorschlag, den wir Ihrem Händler übermitteln. Die Reparatur wird erst vorgenommen, wenn wir die Freigabe des Händlers erhalten. Der Preis für die Reparatur ist bei Ihrem Händler zu entrichten. Bei kostenpflichtigen Reparaturen werden mindestens 30 Minuten Werkstattzeit und die Rückversandkosten in Rechnung gestellt. Sollten wir nach 90 Tagen keine Einverständniserklärung zur Reparatur vorliegen haben, behalten wir uns vor, das Produkt zu vernichten oder anderweitig zu verwerten.

**ACHTUNG:** Kostenpflichtige Reparaturen nehmen wir nur für Elektronik und Motoren vor. Mechanische Reparaturen, besonders bei Hubschraubern und RC-Cars sind extrem aufwendig und müssen deshalb vom Käufer selbst vorgenommen werden.

## Garantie und Service Kontaktinformationen

Land des Kauf	Horizon Hobby	Telefon/E-mail Adresse	Adresse
Europäische Union	Horizon Technischer Service Sales: Horizon Hobby GmbH	service@horizonhobby.de +49 (0) 4121 2655 100	Hanskampring 9 D 22885 Barsbüttel, Germany

## Konformitätshinweise für die Europäische Union



### EU-Konformitätserklärung:

**EFL Slow Ultra Stick Manual 1.2M BNF Basic (EFL0350)**; ; Hiermit erklärt Horizon Hobby, LLC, dass das Gerät den folgenden Richtlinien entspricht: EU-Richtlinie über elektromagnetische Verträglichkeit 2014/30/EU, RoHS 2-Richtlinie 2011/65 / EU, RoHS 3-Richtlinie - Änderung 2011/65 / EU-Anhang II 2015/863

Der vollständige Text der EU-Konformitätserklärung ist unter folgender Internetadresse abrufbar: <https://www.horizonhobby.com/content/supporttender-compliance>.

### Wireless-Frequenzbereich und Wireless-Ausgangsleistung:

2402-2478MHz  
4.65dBm

### WEEE-HINWEIS:



Dieses Gerät ist gemäß der Europäischen Richtlinie 2012/19/EU über Elektro- und Elektronik-Altgeräte (WEEE) gekennzeichnet. Dieses Symbol weist darauf hin, dass dieses Produkt kein normaler Haushaltsabfall ist, sondern in einer entsprechenden Sammelstelle für Elektro- und Elektronik-Altgeräte entsorgt werden muss.

### Eingetragener EU-Hersteller:

Horizon Hobby, LLC  
2904 Research Road  
Champaign, IL 61822 USA

### Eingetragener EU-Importeur:

Horizon Hobby, GmbH  
Hanskampring 9  
22885 Barsbüttel Germany

Australia/New Zealand:



**E328**

## NOTICE

All instructions, warranties and other collateral documents are subject to change at the sole discretion of Horizon Hobby, LLC. For up-to-date product literature, visit [horizonhobby.com](http://horizonhobby.com) or [towerhobbies.com](http://towerhobbies.com) and click on the support or resources tab for this product.

## MEANING OF SPECIAL LANGUAGE

The following terms are used throughout the product literature to indicate various levels of potential harm when operating this product:

**WARNING:** Procedures, which if not properly followed, create the probability of property damage, collateral damage, and serious injury OR create a high probability of superficial injury.

**CAUTION:** Procedures, which if not properly followed, create the probability of physical property damage AND a possibility of serious injury.

**NOTICE:** Procedures, which if not properly followed, create a possibility of physical property damage AND little or no possibility of injury.



**WARNING:** Read the ENTIRE instruction manual to become familiar with the features of the product before operating. Failure to operate the product correctly can result in damage to the product, personal property and cause serious injury.

This is a sophisticated hobby product. It must be operated with caution and common sense and requires some basic mechanical ability. Failure to operate this Product in a safe and responsible manner could result in injury or damage to the product or other property. This product is not intended for use by children without direct adult supervision. Do not use with incompatible components or alter this product in any way outside of the instructions provided by Horizon Hobby, LLC. This manual contains instructions for safety, operation and maintenance. It is essential to read and follow all the instructions and warnings in the manual, prior to assembly, setup or use, in order to operate correctly and avoid damage or serious injury.

**AGE RECOMMENDATION: Not for children under 14 years. This is not a toy.**

## Safety Precautions and Warnings


As the user of this product, you are solely responsible for operating in a manner that does not endanger yourself and others or result in damage to the product or the property of others.

- Always keep a safe distance in all directions around your model to avoid collisions or injury. This model is controlled by a radio signal subject to interference from many sources outside your control. Interference can cause momentary loss of control.
- Always operate your model in open spaces away from full-size vehicles, traffic and people.
- Always carefully follow the directions and warnings for this and any optional support equipment (chargers, rechargeable battery packs, etc.).
- Always keep all chemicals, small parts and anything electrical out of the reach of children.
- Always avoid water exposure to all equipment not specifically designed and protected for this purpose. Moisture causes damage to electronics.
- Never place any portion of the model in your mouth as it could cause serious injury or even death.
- Never operate your model with low transmitter batteries.
- Always keep aircraft in sight and under control.
- Always use fully charged batteries.
- Always keep transmitter powered on while aircraft is powered.
- Always remove batteries before disassembly.
- Always keep moving parts clean.
- Always keep parts dry.
- Always let parts cool after use before touching.
- Always remove batteries after use.
- Always ensure failsafe is properly set before flying.
- Never operate aircraft with damaged wiring.
- Never touch moving parts.



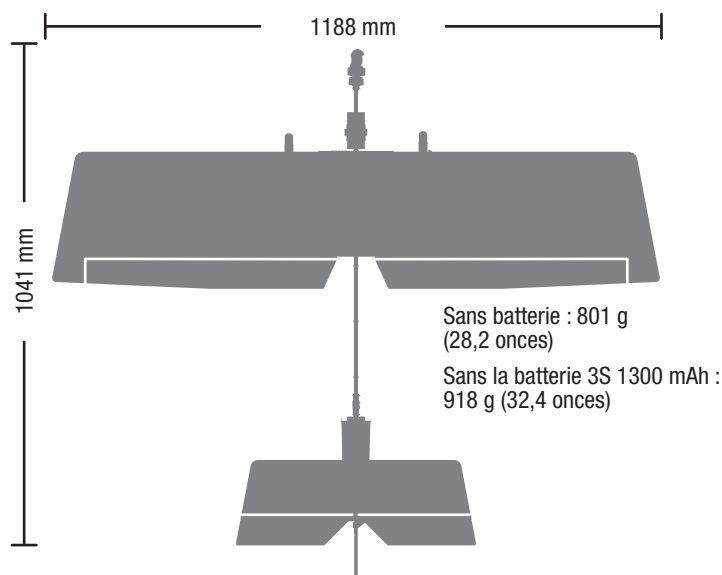
**WARNING AGAINST COUNTERFEIT PRODUCTS:** If you ever need to replace your Spektrum receiver found in a Horizon Hobby product, always purchase from Horizon Hobby, LLC or a Horizon Hobby authorized dealer to ensure authentic high-quality Spektrum product. Horizon Hobby, LLC disclaims all support and warranty with regards, but not limited to, compatibility and performance of counterfeit products or products claiming compatibility with DSM or Spektrum technology.

## Équipement inclus/recommandé

	
<b>MOTEUR</b> : Moteur à cage tournante, 3513-1 100 kV, 14 pôles (SPMXAM2800)	<b>Inclus</b>
<b>Variateur ESC</b> : ESC Avian sans balais 30 A Smart Lite ; 3S-4S, IC3 (SPMXAE30D)	<b>Installé</b>
<b>Servos</b> : Servo 9 g Sub-Micro Digital A345SL : Câble de 60 mm (SPMSA345SL) Aileron : (1) Gouverne de direction : (1) Gouverne de profondeur : (1)	<b>Installé</b>
<b>Récepteur</b> : récepteur de télémétrie AS3X/SAFE 6 canaux AR630 (SPMAR630)	<b>Installé</b>
<b>Batterie recommandée*</b> : Batterie Li-Po 3S 1 300 mAh 30C (SPMX133S30)	<b>Requis</b>
<b>Chargeur de batterie recommandé</b> : Chargeur de batterie Li-Po 3 cellules S155 (SPMCXC2050)	<b>Requis</b>
<b>Émetteur recommandé</b> : 4+ canaux, pleine portée, 2,4 GHz avec technologie DSMX®/DSM2 Spektrum, avec doubles débattements ajustables.	<b>Requis</b>

\*gamme de batterie : Batterie Li-Po 2S-3S 1300-2200 mAh

## Caractéristiques



## Table des Matières

Caractéristiques.....	45
Assemblage du modèle.....	46
Paramétrage de l'émetteur .....	51
Installation de la batterie et armement du variateur ESC .....	52
Affectation (Binding) .....	53
Désignation du commutateur SAFE® Select.....	54
Télémétrie ESC intégrée.....	54
Test de contrôle de la direction .....	55
Essai de la réponse de l'AS3X® .....	56
Control Surface Centering and Adjusting a Clevis .....	57
Réglages aux guignols et aux palonniers de servos.....	57
Doubles débattements .....	57
(CG) Centre de Gravité .....	58
Conseils de vol en mode SAFE Select.....	58
Réglage des trims en vol.....	58
Configuration de l'aileron à deux servos en option .....	59
Maintenance après vol.....	60

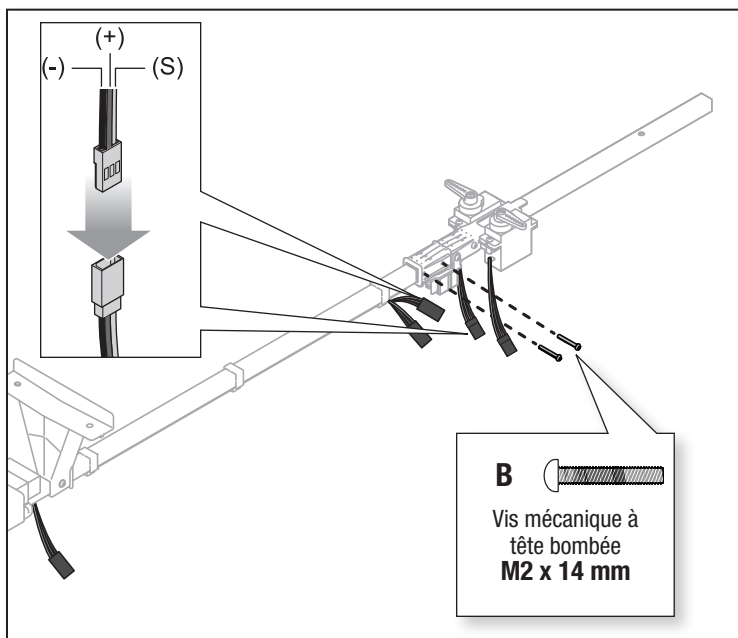
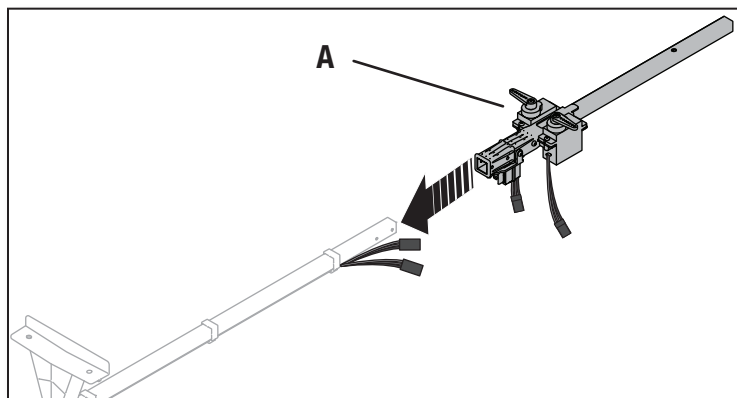
Opération de maintenance sur le moteur.....	60
Entretien des servos .....	60
Guide de dépannage AS3X.....	60
Guide de dépannage.....	61
Pièces de rechange .....	62
Éléments recommandés .....	62
Pièces facultatives.....	62
Matériel .....	62
Garantie et réparations .....	63
Informations de contact pour garantie et réparation .....	64
Informations IC .....	64
Informations de conformité pour l'Union européenne .....	64

## Assemblage du modèle

### Installation de la section arrière du fuselage

1. Faites glisser les deux sections du fuselage ensemble jusqu'à ce qu'elles s'enclenchent, reliant ainsi les sections avant et arrière du fuselage.
2. Fixez les sections ensemble avec les deux vis à tête bombée M2 x 14 mm incluses. (Utilisez un tournevis cruciforme n° 1)
3. Les fiches de servo de gouverne de profondeur ont une marque d'identification argentée. Alignez ces marques et connectez la fiche de servo de gouverne de profondeur à la rallonge du récepteur. Les couleurs des fils s'aligneront également, afin d'assurer la bonne polarité.
4. Raccordez le connecteur de servo de gouverne de direction à la rallonge du récepteur. Ces fiches n'ont pas de marque argentée, aidez-vous de la couleur des fils pour les aligner correctement.
5. Empilez les fiches connectées et insérez-les dans la bague.

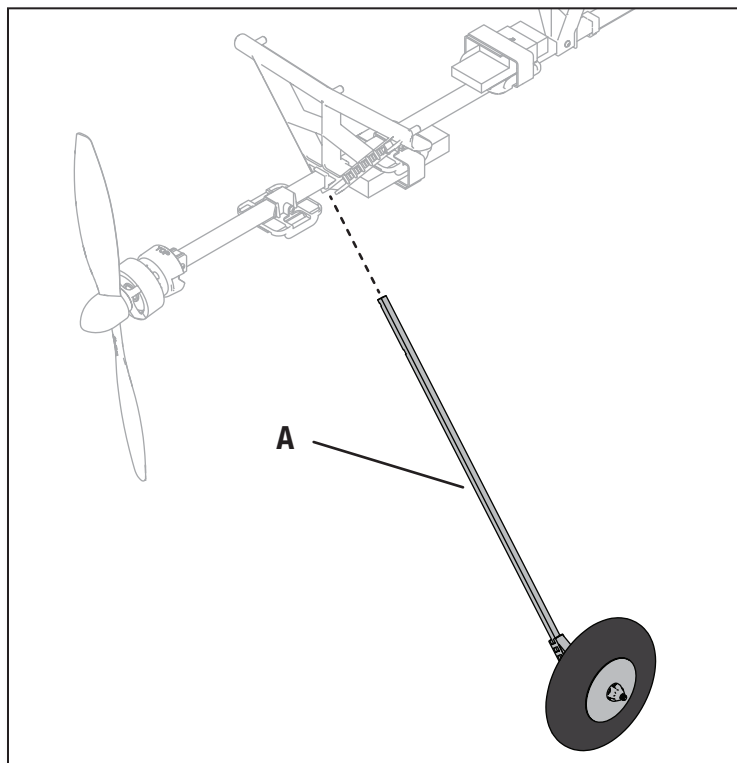
Démontez dans l'ordre inverse.

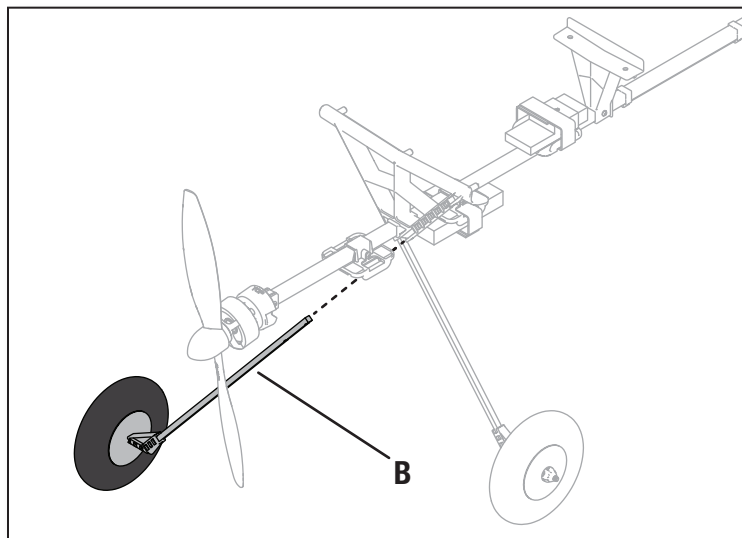


### Installation du train d'atterrissage principal

1. Faites glisser une jambe du train d'atterrissage principal (**A**) dans la fente jusqu'à ce qu'elle s'enclenche dans le loquet de retenue. Il faut exercer une pression ferme pour enclencher le loquet de retenue.
2. Faites glisser la jambe du train d'atterrissage restante (**B**) dans la fente opposée jusqu'à ce qu'elle s'enclenche.

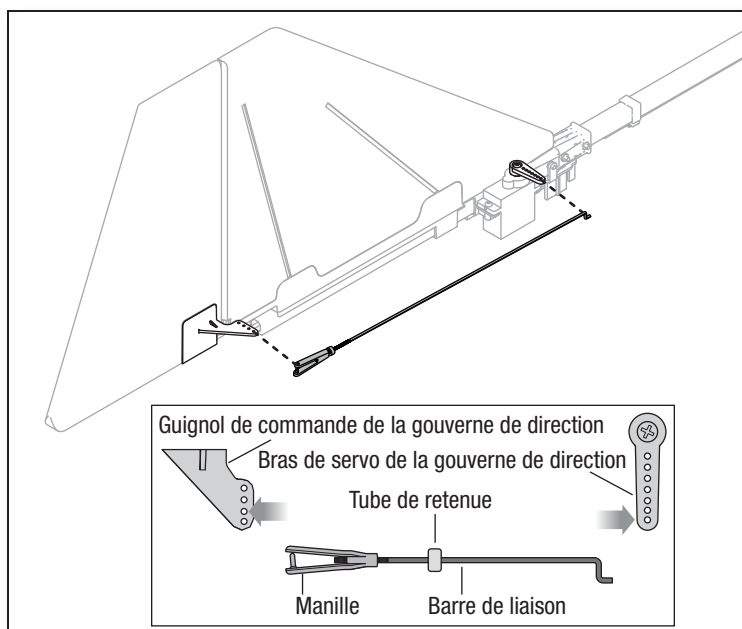
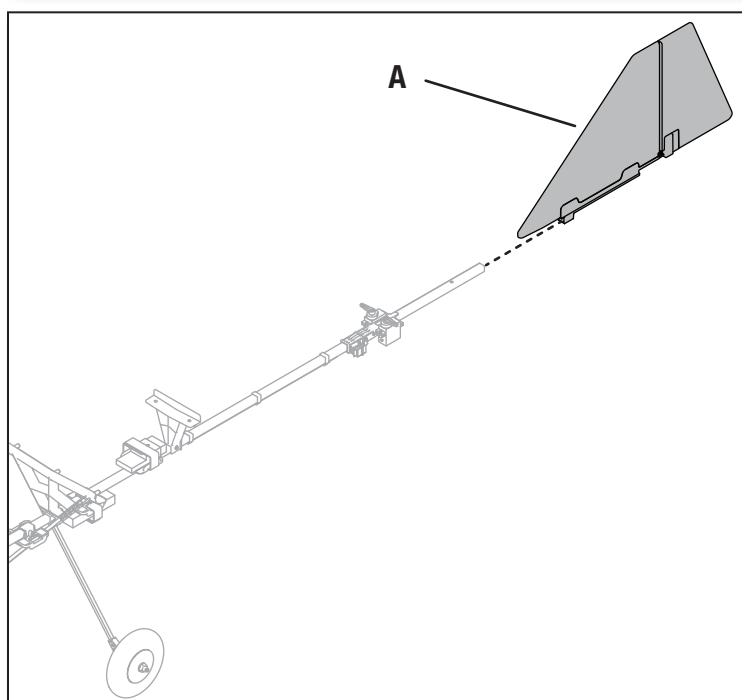
Démontez dans l'ordre inverse, en utilisant un outil comme un tournevis plat pour libérer le loquet de retenue.





## Installation du stabilisateur vertical

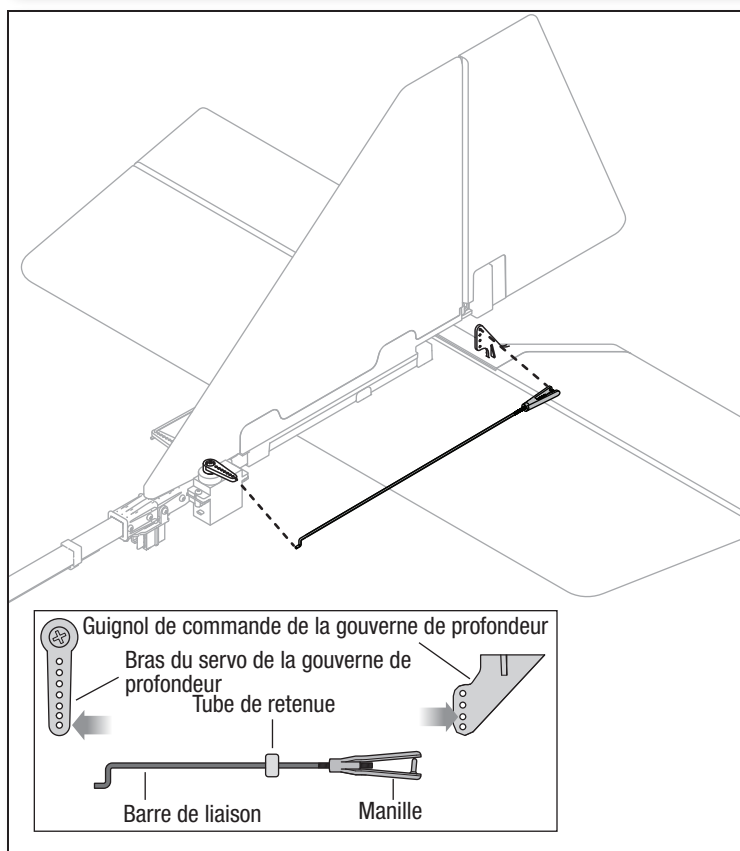
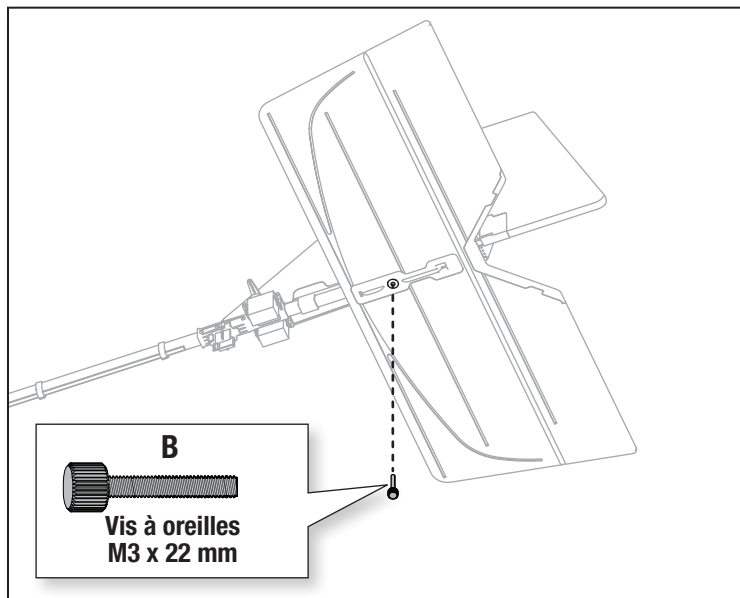
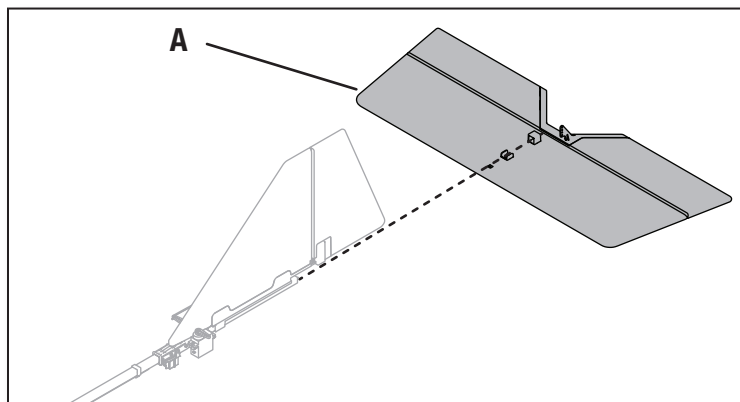
1. Faites glisser le stabilisateur vertical (A) sur le tube arrière du fuselage jusqu'à ce que les orifices s'alignent.
2. Il y a deux barres de liaison dans le sachet des pièces pour la gouverne de direction et la gouverne de profondeur. Choisissez la plus longue et utilisez-la pour la gouverne de direction.
3. Connectez le coude en Z de la barre de liaison de la gouverne de direction de 193 mm au trou le plus à l'extérieur du bras de servo.
4. Fixez la manille au troisième trou le plus éloigné du guignol de commande de la manille).



## Installation du stabilisateur horizontal

1. Assurez-vous que le guignol de commande est orienté vers le haut, puis faites glisser le stabilisateur horizontal **(A)** sur le tube arrière du fuselage jusqu'à ce que les trous des vis inférieurs soient alignés.
2. Fixez les stabilisateurs vertical et horizontal en position à l'aide des vis à oreilles M3 x 22 mm **(B)** incluses.
3. Connectez le coude en Z de la barre de liaison de la gouverne de profondeur de 180 mm au trou le plus à l'extérieur du bras de servo.
4. Fixez la manille au troisième trou le plus éloigné du guignol de commande de la gouverne de profondeur (voir les instructions pour le raccordement de la manille).

Démontez dans l'ordre inverse.

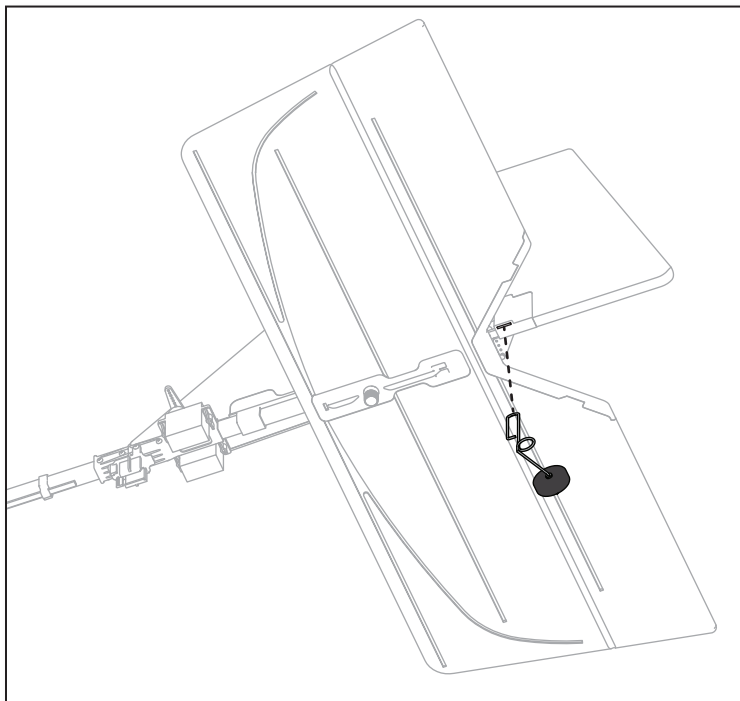




## Installation de la roulette de queue

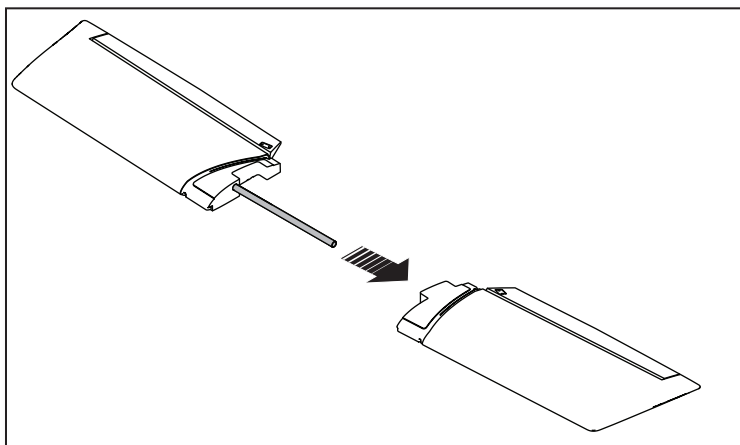
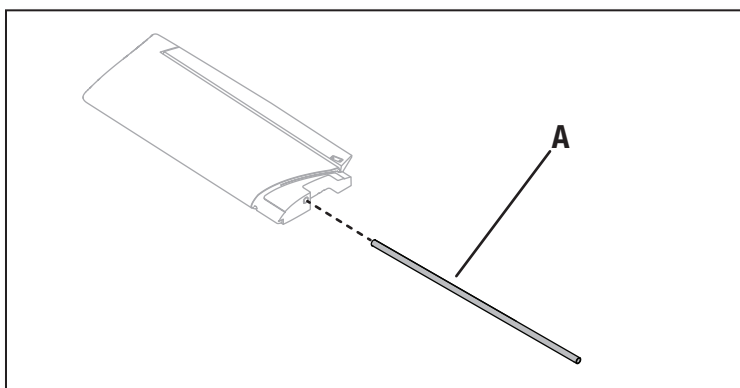
1. Alignez le fil de la roue de queue avec la cavité au bas de la gouverne de direction.
2. Enfoncez le fil de la roue de queue dans la cavité jusqu'à ce que le fil s'enclenche.

Démontez dans l'ordre inverse.



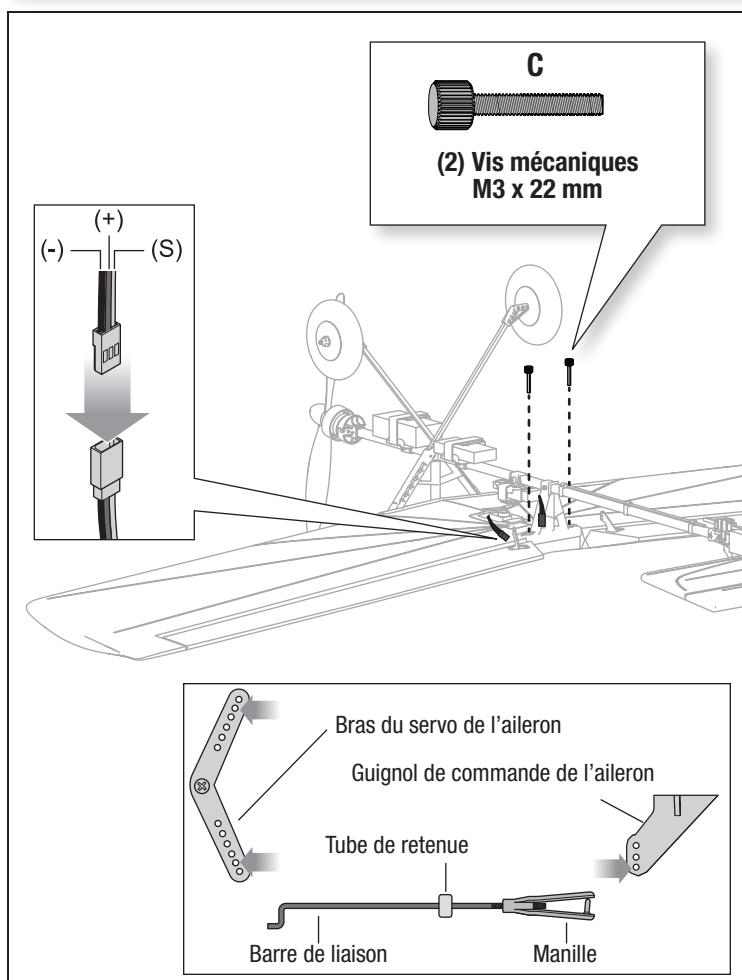
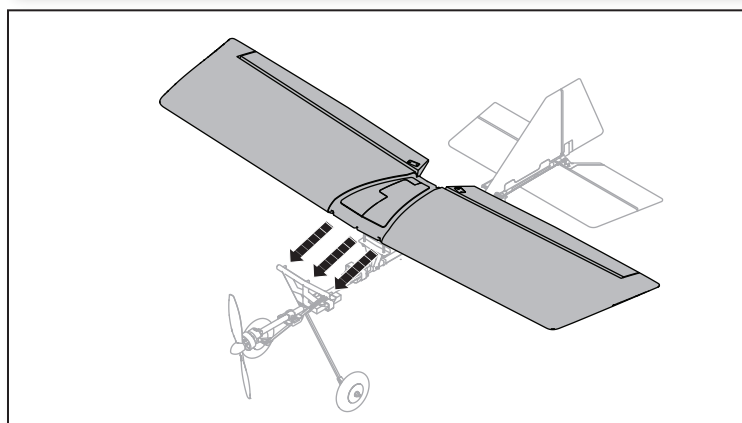
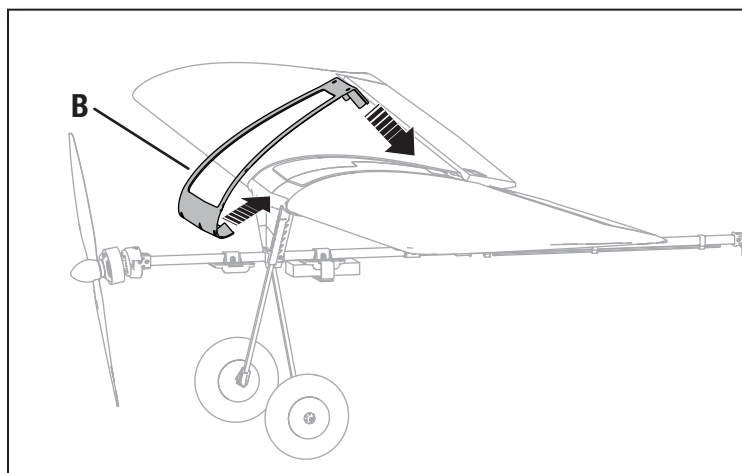
## Installation de l'aile

1. Faites glisser le tube d'aile (A) dans l'aile.
2. Attachez les deux demi-aires en les faisant glisser.



## Installation de l'aile

1. Alignez l'aile avec les trois broches sur le support d'aile avant, puis faites glisser l'aile vers l'avant pour la mettre en position.
  2. Alignez et placez la bague **(B)** jusqu'au sommet de l'aile.
  3. Fixez l'aile au fuselage avec les deux vis à oreilles M3 x 22 mm incluses **(C)**
  4. Raccordez le connecteur de servo d'aileron à la rallonge de servo du récepteur.
  5. Connectez les barres de liaison de l'aileron aux guignols de commande aux emplacements indiqués
- Démontez dans l'ordre inverse.



## Paramétrage de l'émetteur

**AVERTISSEMENT** : Activez la fonction Throttle Cut (Arrêt du moteur). Activez toujours la coupure des gaz avant d'approcher l'appareil.

**AVERTISSEMENT** : N'affectez jamais Aux 2 à SAFE Select lors de la configuration de l'émetteur avec n'importe quel émetteur de modèle. Si SAFE Select est affecté à Aux 2, le canal des gaz/moteur s'inversera en vol une fois que SAFE est activé. L'inversion du moteur est affectée à Aux 2/canal 7 par défaut dans le variateur ESC Smart.

**IMPORTANT** : après avoir configuré votre modèle, réaffectez toujours l'émetteur et le récepteur pour régler les positions de sécurité intégrée souhaitées.

**IMPORTANT** : Le récepteur inclus a été spécifiquement programmé pour être utilisé dans cet appareil.

† Certaines des terminologies et des localisations des fonctions utilisées dans la programmation iX12, iX14 et iX20 peuvent être légèrement différentes de celles des autres radios AirWare™ Spektrum. Les noms donnés entre parenthèses correspondent à la terminologie de programmation iX12, iX14 et iX20. Consultez le manuel de votre émetteur pour obtenir des informations spécifiques sur la programmation de votre émetteur.

### Fichiers de configuration de l'émetteur pré-programmé

Pour gagner du temps lors de la configuration de votre émetteur pour ce modèle, rendez-vous sur [www.SpektrumRC.com](http://www.SpektrumRC.com) pour télécharger les derniers fichiers de configuration de l'émetteur pré-programmé. Téléchargez le bon fichier de modèle et installez-le dans votre émetteur à l'aide d'une carte SD.

1. Accédez à [SpektrumRC.com](http://SpektrumRC.com)
2. Mettez le curseur sur Support (Assistance) et cliquez sur Support Hub (Centre d'assistance) dans le menu qui s'affiche.
3. Faites défiler la liste et sélectionnez votre émetteur.
4. Faites défiler jusqu'à Quick Links (Liens rapides) et cliquez sur Manuals & Support (Manuels et assistance).
5. Cliquez sur le lien Transmitter Preset Download (Téléchargement de modèles d'émetteurs préconfigurés).
6. Suivez les instructions relatives à l'importation de fichiers de modèles préconfigurés pour les fichiers de modèles préconfigurés.

### Double débattement

Un faible débattement est recommandé pour les vols initiaux.

**REMARQUE** : pour vous assurer que la technologie AS3X® fonctionne correctement, ne diminuez pas les valeurs de débattement en dessous de 50 %. Si vous recherchez des débattements plus faibles, ajustez manuellement la position des barres de liaison sur le bras de servo.

**REMARQUE** : si vous constatez une oscillation à grande vitesse, consultez le guide de dépannage pour obtenir de plus amples informations.

### Configuration informatisée de l'émetteur

Démarrez toutes les programmations de l'émetteur avec un modèle vierge ACRO (effectuez une réinitialisation du modèle), puis nommez le modèle.

Configurez les Dual Rates (doubles débattements) sur	Commutateur à 2 positions	Commutateur à 3 positions
	HIGH (ÉLEVÉ) 100 %	HIGH (ÉLEVÉ) 100 %
	LOW (FAIBLE) 70 %	MID (MOYEN) 70 % LOW (FAIBLE) 50 %
Configurez la Servo Travel (course de servo) sur	100 %	
Configurez le Throttle Cut (arrêt du moteur) sur	-100 %	
DX6e † DX6 † (Gén. 2) DX7 † (Gén. 2) NX6 † DX8e DX8 (Gén. 2) DX9 DX10t DX18 DX20 iX12 † iX20 † NX6 NX8 NX10	<ol style="list-style-type: none"> <li>1. Accédez à SYSTEM SETUP (CONFIGURATION DU SYSTÈME) (Model Utilities (équipements du modèle))†</li> <li>2. Configurez le MODEL TYPE (TYPE DE MODÈLE) : AIRPLANE (AVION)</li> <li>3. Configurez l'AIRCRAFT TYPE (TYPE D'APPAREIL) : Model Setup (configuration du modèle), Aircraft Type (type d'appareil)† : WING (AILE) : Normal</li> </ol>	

### Exponentiel

Après les premiers vols, vous pouvez ajuster l'exponentiel sur votre émetteur.

### Configuration de la télémétrie de l'émetteur

Si l'émetteur que vous souhaitez utiliser avec cet appareil n'affiche pas les données télémétriques, rendez-vous sur [www.SpektrumRC.com](http://www.SpektrumRC.com) et procédez à la mise à jour du micrologiciel. Une fois la dernière version installée sur votre émetteur, l'option de télémétrie devrait être fonctionnelle.

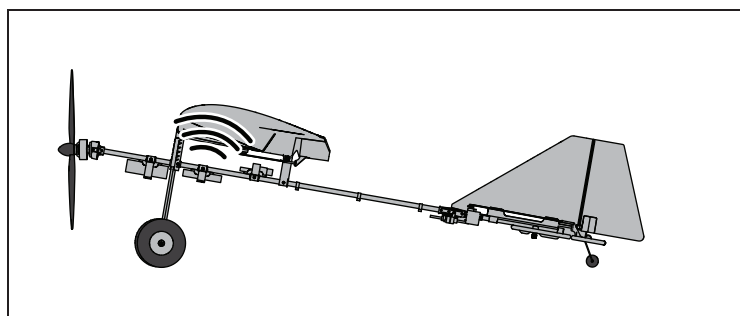
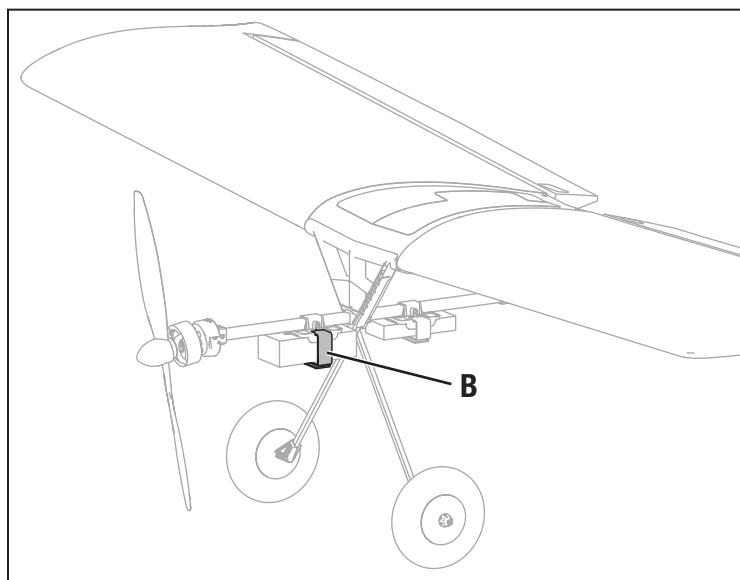
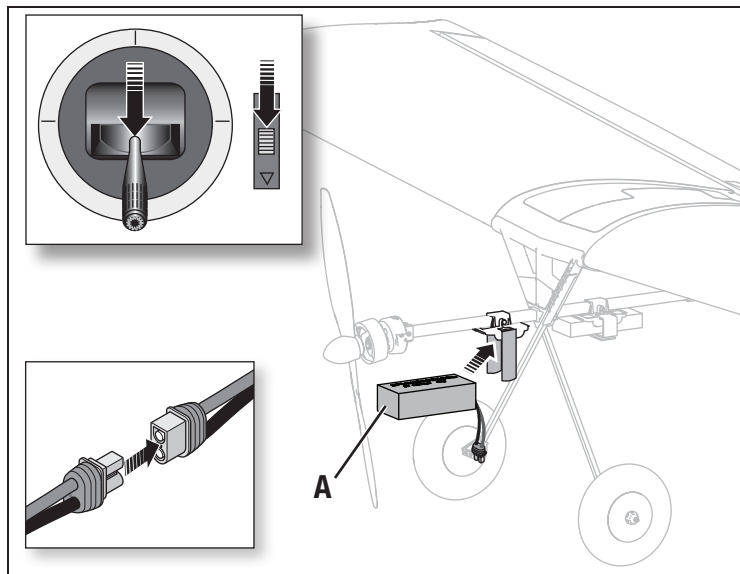
## Installation de la batterie et armement du variateur ESC

### Choix de la batterie

Nous recommandons la batterie Li-Po Smart 3S 1 300 mAh 30C. Consultez la liste des pièces disponibles en option pour connaître les autres batteries recommandées. Si vous utilisez une autre batterie que celles indiquées, elle doit être dans la même gamme de capacité, de dimensions et de poids que les packs de batteries Spektrum Li-Po pour s'insérer dans le fuselage.

1. Baissez les gaz et le compensateur des gaz aux niveaux les plus bas. Allumez l'émetteur, puis attendez 5 secondes.
  2. Installer une batterie complètement chargée **(A)** dans le support de batterie comme illustré et fixez-la à l'aide des sangles auto-agrippantes **(B)**.
  3. Raccordez la batterie au variateur ESC.
  4. Maintenez l'appareil immobile et à l'abri du vent, ou le système ne démarrera pas.
- Le variateur émettra une série de sons (consultez l'étape 6 des instructions de couplage pour plus d'informations).
  - Une DEL s'allume sur le récepteur.

**ATTENTION** : n'approchez jamais les mains de l'hélice. Lorsqu'il est armé, le moteur fait tourner les hélices en réponse à tout mouvement des gaz.



## Affectation (Binding)

### Conseils généraux pour l'affectation

- Le récepteur inclus a été spécifiquement programmé pour être utilisé avec cet appareil. Reportez-vous au manuel du récepteur pour la configuration appropriée en cas de remplacement de celui-ci.
- Éloignez-vous des larges objets métalliques lors de l'affectation.
- Ne pointez pas l'antenne de l'émetteur directement en direction du récepteur lors de l'affectation.
- Le témoin orange sur le récepteur clignote rapidement lorsque le récepteur passe en mode d'affectation.
- Une fois affecté, le récepteur conservera ses réglages d'affectation pour cet émetteur jusqu'à ce que vous effectuiez une nouvelle affectation.
- En cas de perte de communication entre le récepteur et l'émetteur, le mode sécurité intégrée est activé. La sécurité intégrée fait passer le canal des gaz à la position de faible ouverture des gaz. Les voies de tangage et de roulis travaillent en déplacement pour stabiliser activement l'avion dans un virage descendant.
- En cas de problème, consultez le guide de dépannage ou, si besoin, contactez le service après-vente d'Horizon adéquat.

### Affectation (Binding) de l'émetteur au récepteur / Activation et Désactivation SAFE Select

La version BNF Basic de cet appareil comporte la technologie SAFE Select, qui vous permet de choisir le niveau de protection en vol. Le mode SAFE comprend des limiteurs d'angles et une stabilisation automatique. Le mode AS3X donne au pilote une réponse directe aux manches de commande. SAFE Select est activé ou désactivé lors du processus d'affectation.

Avec SAFE Select désactivé, l'appareil est toujours en mode AS3X. Avec SAFE Select activé, l'appareil est constamment en mode SAFE Select, ou un commutateur peut être attribué pour basculer entre le mode SAFE Select et le mode AS3X.

Grâce à la technologie SAFE Select, cet appareil peut être configuré pour être constamment en mode SAFE, constamment en mode AS3X, ou le choix du mode peut être attribué à un commutateur.

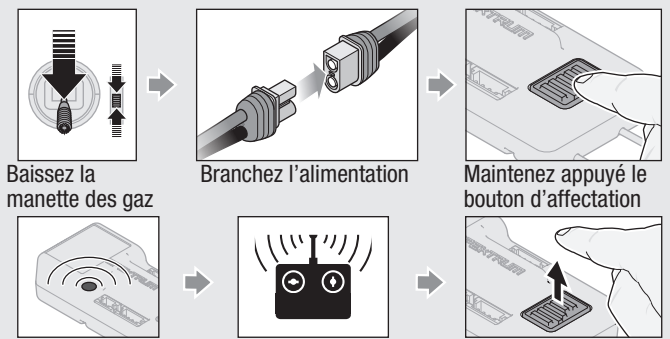
**IMPORTANT :** Avant de procéder à l'affectation, lisez attentivement la section Configuration de l'émetteur de ce manuel et complétez le tableau de configuration de l'émetteur afin de programmer correctement l'émetteur pour cet appareil.

**IMPORTANT :** Placez les commandes de vol de l'émetteur (gouverne de direction, gouvernes de profondeur, et ailerons) et le trim des gaz en position neutre. Mettez les gaz sur faible ouverture avant et pendant l'affectation. Ce processus définit les réglages de sécurité intégrée.

Vous pouvez utiliser le bouton d'affectation sur le boîtier du récepteur ou la prise d'affectation classique pour terminer l'affectation et la configuration de SAFE Select.

#### Avec le bouton d'affectation

##### SAFE Select activé



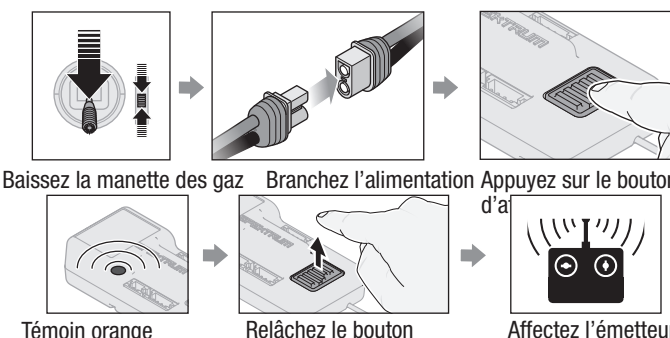
Baissez la manette des gaz → Branchez l'alimentation → Maintenez appuyé le bouton d'affectation

Témoin orange clignotant → Affectez l'émetteur au récepteur → Relâchez le bouton d'affectation

**SAFE Select activé :** Les surfaces de commande effectuent **deux** cycles d'avant en arrière avec une légère pause en position neutre chaque fois que le récepteur est allumé.

---

##### SAFE Select désactivé



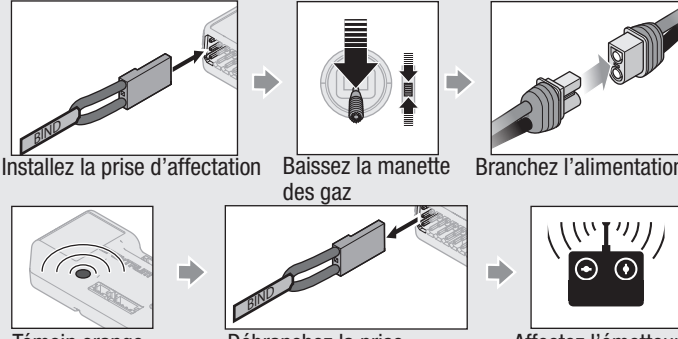
Baissez la manette des gaz → Branchez l'alimentation → Appuyez sur le bouton d'affectation

Témoin orange clignotant → Relâchez le bouton d'affectation → Affectez l'émetteur au récepteur

**SAFE Select désactivé :** Les surfaces de commande effectuent **un** cycle d'avant en arrière chaque fois que le récepteur est allumé.

#### Avec la prise d'affectation

##### SAFE Select activé



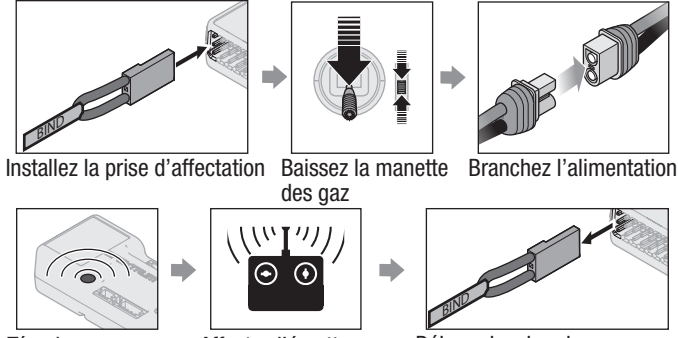
Installez la prise d'affectation → Baissez la manette des gaz → Branchez l'alimentation

Témoin orange clignotant → Débranchez la prise d'affectation → Affectez l'émetteur au récepteur

**SAFE Select activé :** Les surfaces de commande effectuent **deux** cycles d'avant en arrière avec une légère pause en position neutre chaque fois que le récepteur est allumé.

---

##### SAFE Select désactivé



Installez la prise d'affectation → Baissez la manette des gaz → Branchez l'alimentation

Témoin orange clignotant → Affectez l'émetteur au récepteur → Débranchez la prise d'affectation

**SAFE Select désactivé :** Les surfaces de commande effectuent **un** cycle d'avant en arrière chaque fois que le récepteur est allumé.

La technologie SAFE Select peut également être activée via la Programmation en aval dans les émetteurs compatibles.

## Désignation du commutateur SAFE® Select

### Entrées manches

Une fois SAFE Select activé, vous pouvez choisir de voler continuellement en mode SAFE ou d'attribuer la fonction à un commutateur. N'importe quel commutateur sur n'importe quel canal entre 5 et 9 peut être utilisé sur votre émetteur.

Si l'appareil est affecté avec le mode SAFE Select désactivé, l'appareil est uniquement en mode AS3X.

**ATTENTION** : maintenez toutes les parties du corps loin de l'hélice et gardez l'appareil solidement immobilisé en cas d'activation accidentelle des gaz.

**IMPORTANT** : pour pouvoir attribuer la fonction à un commutateur, il est d'abord nécessaire de vérifier :

- L'appareil a été affecté avec le mode SAFE Select activé.
- Votre choix du commutateur SAFE Select est attribué à un canal entre 5 et 9 (Train, Aux. 1-4), et la course est paramétrée sur 100 % dans chaque direction.
- L'aileron, la gouverne de profondeur, la gouverne de direction et la direction des gaz sont paramétrés sur normal, pas inversion.
- L'aileron, la gouverne de profondeur, la gouverne de direction et les gaz sont paramétrés sur une course à 100 %. Si des doubles débattements sont utilisés, les commutateurs doivent être en position 100 %.

Consultez le manuel de votre émetteur pour obtenir plus d'informations sur l'attribution d'un commutateur à un canal.

**CONSEIL** : si vous souhaitez un commutateur SAFE Select pour votre appareil à 6 fonctions, et si vous utilisez un émetteur à 6 canaux, le canal du commutateur SAFE Select devra être partagé avec soit le canal 5 soit le canal 6 de l'émetteur.

### Programmation en aval

Affectez le canal SAFE Select par le biais de la programmation en aval sur votre émetteur Spektrum compatible.



Pour plus d'informations sur la configuration de SAFE Select et l'utilisation de la programmation en aval, cliquez sur le lien suivant pour obtenir une vidéo détaillée :

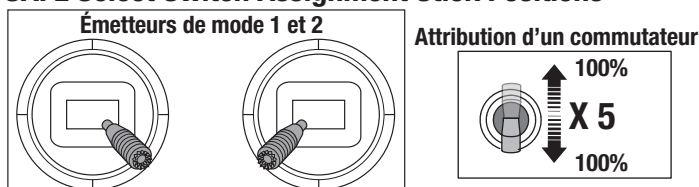
<https://www.youtube.com/watch?v=o-46P066cik>

### Attribution d'un commutateur

1. Mettez l'émetteur en marche.
2. Mettez l'avion en marche.
3. Maintenez les deux manches de l'émetteur vers les coins inférieurs à l'intérieur et faites basculer rapidement 5 fois le commutateur souhaité (1 basculement = entièrement vers le haut et vers le bas).
4. Les gouvernes de l'appareil se déplaceront, indiquant que le commutateur a été sélectionné.

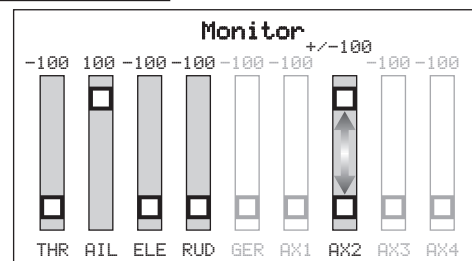
Répétez l'opération pour attribuer un commutateur différent ou pour désactiver le commutateur actuel.

### SAFE Select Switch Assignment Stick Positions



**CONSEIL** : utilisez le moniteur de canal pour vérifier le mouvement de canal.

Cet exemple de moniteur de canal montre les positions des manches pour l'attribution d'un commutateur, la sélection du commutateur sur Aux2 et une course +/- 100 % sur le commutateur.



### Programmation en aval - Configuration de SAFE Select

	1. Commencez avec l'émetteur affecté au récepteur.
	2. Allumez l'émetteur.
	3. Affectez un commutateur pour SAFE Select qui n'est pas encore utilisé pour une autre fonction. Utilisez n'importe quel canal ouvert entre 5 et 9 (Train, Aux. 1-4).
	4. Configurez le commutateur H (coupure des gaz) afin de prévenir le fonctionnement accidentel du moteur.
Série DX, série NX, série iX	5. Mettez l'avion en marche. Une barre de signal s'affiche sur l'écran principal de votre émetteur lorsque les informations de télémétrie sont reçues.
	6. Accédez à la <b>FUNCTION LIST</b> (LISTE DES FONCTIONS) (configuration du modèle)
	7. Sélectionnez <b>Forward Programming</b> (Programmation en aval) ; Sélectionnez <b>Gyro Settings</b> (Réglages des gyroscopes), Sélectionnez <b>SAFE Select</b> pour entrer dans le menu.
	8. Configurez <b>SAFE Select Ch</b> (Canal SAFE Select) : Sur le canal que vous avez choisi pour SAFE Select.
	9. Configurez <b>AS3X</b> et <b>SAFE Select</b> sur <b>On</b> (allumé) ou <b>Off</b> (éteint) comme bon vous semble pour chaque position de commutateur.

## Télémétrie ESC intégrée

**BNF** : cet avion est doté de la télémétrie entre le variateur ESC et le récepteur, qui permet de fournir des informations, notamment : régime, tension, courant moteur, paramètres de gaz (%) et température du FET (régulateur de vitesse).

**PNP** : le variateur ESC de cet avion est capable de fournir des informations via la télémétrie par le biais de la connexion des gaz quand il est associé à un récepteur avec télémétrie Spektrum compatible Smart. Il fonctionne avec un signal de servo PWM normal pour les systèmes de commande radio courants.

Pour plus d'informations sur les émetteurs compatibles, les mises à jour du micrologiciel et l'utilisation de la technologie télémétrique sur votre émetteur, consultez [www.SpektrumRC.com](http://www.SpektrumRC.com).

### Configuration de la télémétrie

	1. Commencez avec l'émetteur affecté au récepteur.
	2. Allumez l'émetteur.
	3. Configurez le commutateur H (Arrêt du moteur) afin de prévenir le fonctionnement accidentel du moteur.
	4. Mettez l'avion en marche. Une barre de signal s'affiche sur l'écran principal de votre émetteur lorsque les informations de télémétrie sont reçues.
Série DX, série NX, série iX	5. Accédez à la <b>FUNCTION LIST</b> (LISTE DES FONCTIONS) (configuration du modèle)
	6. Sélectionnez <b>TÉLÉMÉTRIE</b> ; Variateur ESC Smart
	7. Définissez le nombre total de cellules : 3
	8. Définissez l'alarme <b>LVC</b> : 3,4 V Définissez l'alarme ; Voix/Vibration
	9. Définissez le nombre de pôles : 14 pôles

## Test de contrôle de la direction

Allumez l'émetteur et raccordez la batterie. Utilisez l'émetteur pour commander l'aileron, la gouverne de profondeur et la gouverne de direction. Regardez l'appareil de l'arrière pour vérifier les directions de commande.

Ce modèle possède un mixage aileron/gouvernail intégré, lorsque les ailerons sont en position de débattement, le gouvernail se déplace.

### Gouverne de profondeur

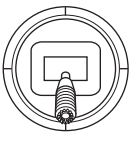
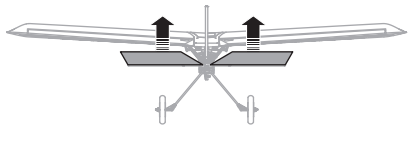
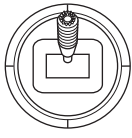
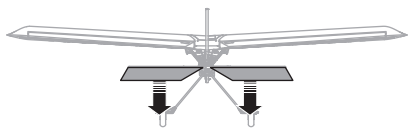
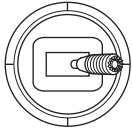
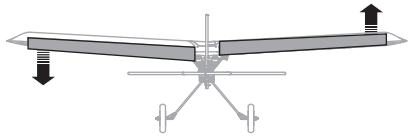
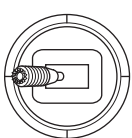
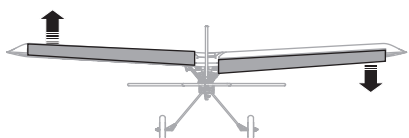
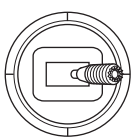
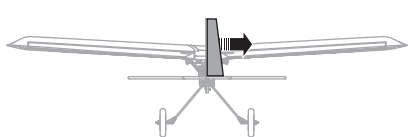
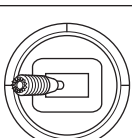
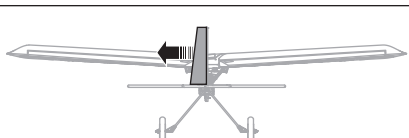
1. Tirez la manette de gouverne de profondeur en arrière. Les gouvernes de profondeur s'élèvent, ce qui fait cabrer l'appareil.
2. Poussez la manette de gouverne de profondeur vers l'avant. Les gouvernes de profondeur s'abaissent, ce qui fait descendre l'appareil.

### Ailerons

1. Déplacez la manette d'aileron vers la droite. L'aileron droit s'élève et l'aileron gauche s'abaisse, ce qui fera se pencher l'appareil vers la droite.
2. Déplacez la manette d'aileron vers la gauche. L'aileron gauche s'élève et l'aileron droit s'abaisse, ce qui fera se pencher l'appareil vers la gauche.

### Gouverne de direction

1. Déplacez le manche de la gouverne de direction vers la droite. La gouverne se déplace vers la droite, ce qui fera effectuer à l'appareil un lacet vers la droite.
2. Déplacez le manche de la gouverne de direction vers la gauche. La gouverne se déplace vers la gauche, ce qui fera effectuer à l'appareil un lacet vers la gauche.

	Cammande de l'émetteur	Réponse des gouvernes
Profondeur		
		
Aileron		
		
Dérive		
		

## Essai de la réponse de l'AS3X®

Ce test permet de s'assurer du bon fonctionnement du système AS3X. Assemblez le modèle et affectez votre émetteur au récepteur avant d'effectuer ce test.

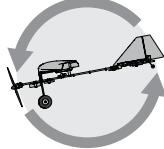
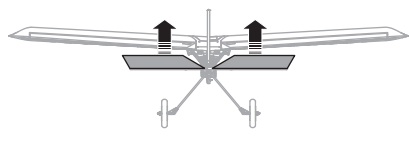
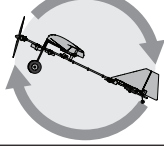
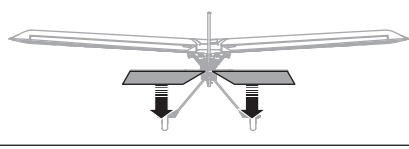
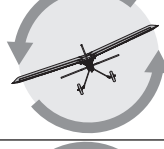
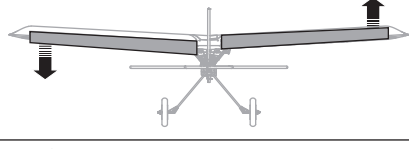
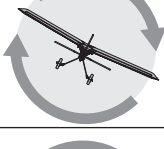
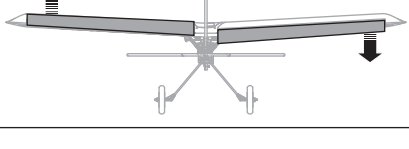
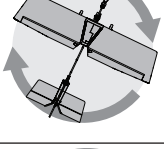
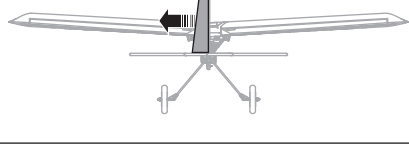
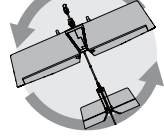
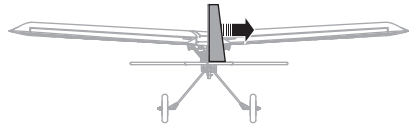
1. Pour activer l'AS3X, placez le manche des gaz juste au dessus des 25% de sa course, puis remplacez-le en position basse.

**ATTENTION:** Tenez vos cheveux, vos vêtements amples, vos mains et autres parties du corps à l'écart de l'hélice, elle pourrait les attraper.

2. Déplacez l'avion comme sur les illustrations et contrôlez que les gouvernes se déplacent dans la direction indiquée sur l'illustration. Si les gouvernes ne répondent pas comme sur les illustrations, ne faites pas voler le modèle. Référez-vous au manuel du récepteur pour des informations complémentaires.

Une fois le système AS3X activé, les gouvernes peuvent s'agiter rapidement. Il s'agit d'une réaction normale. L'AS3X restera actif jusqu'à la déconnexion de la batterie.

En raison des différents effets de couple, de portance et de traînée, certains avions nécessitent des modifications de trim (compensateur) avec différents vitesses et réglages de gaz. Des mixages sont préchargés dans le récepteur pour compenser ces changements. Les mixages s'activent la première fois que les gaz dépassent les 25 %. Les gouvernes peuvent être légèrement décalées avec différents réglages de gaz après la première augmentation des gaz. La compensation de l'avion en vol doit s'effectuer avec des gaz à 80-100 % pour obtenir des résultats optimaux.

	Mouvement de l'avion	Réaction de l'AS3X
Profondeur		
		
Aileron		
		
Dérive		
		



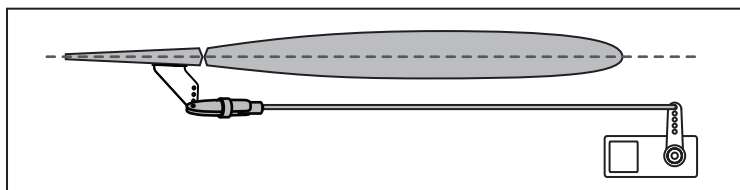
## Control Surface Centering and Adjusting a Clevis

**IMPORTANT:** Perform the Control Direction Test before performing control surface centering.

While SAFE is inactive, mechanically center the control surfaces.

**IMPORTANT:** Correct operation of the SAFE system requires sub-trim and trim at 0.

After binding a transmitter to the receiver, set the trims and sub-trims to 0, ensure the servo arms are in the correct positions, then adjust the linkages to center the control surfaces.



### Retirez la manille

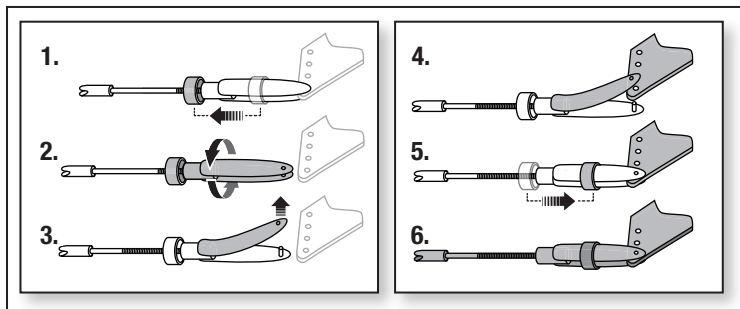
1. Faites glisser le tube de retenue hors de la manille.
2. Écartez la manille avec précaution et retirez la broche de la manille du guignol de commande.

### Ajuster la manille

3. Tournez la manille pour ajuster la longueur de la barre de liaison.

### Réinstaller la manille

4. Écartez la manille avec précaution, puis insérez la broche de la manille dans le trou spécifié sur le guignol de commande.
5. Déplacez le tube de retenue pour fixer la manille sur le guignol de commande.



## Réglages aux guignols et aux palonniers de servos

Le tableau de droite indique les réglages d'usine des guignols de commande et des bras de servo. Pilotez votre appareil avec les réglages d'usine avant d'apporter toute modification.

Augmentation du coude de commande	Réduction du coude de commande

	Guignols de commande	Bras de servo
Gouverne de profondeur		
Gouverne de direction		
Ailerons		

## Doubles débattements

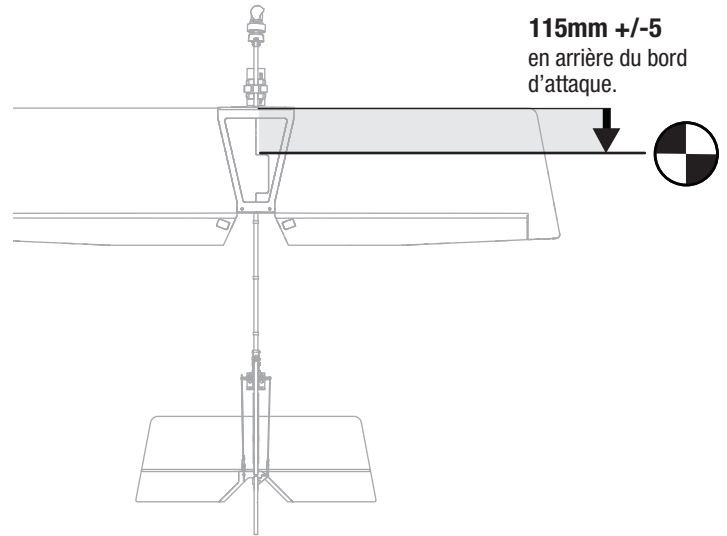
Programmez votre émetteur pour configurer les débattements et les coudes de commande aux valeurs indiquées. Ces valeurs ont été testées et sont un bon point de départ pour réussir à voler.

	Grand débattement	Petit débattement
Ailerons	▲ = 12mm ▼ = 12mm	▲ = 8mm ▼ = 8mm
Gouverne de profondeur	▲ = 15mm ▼ = 15mm	▲ = 11mm ▼ = 11mm
Gouverne de direction	▶ = 25mm ◀ = 25mm	▶ = 15mm ◀ = 15mm

## (CG) Centre de Gravité

L'emplacement du CG est mesuré à partir du bord d'attaque de l'aile.  
L'emplacement du CG a été déterminé avec la batterie Li-Po 3S 1 300 mAh recommandée (SPMX133S30) installée sur le bord avant du support de batterie.  
Ajustez la batterie vers l'avant ou l'arrière si nécessaire pour atteindre le bon emplacement du CG.

**ATTENTION :** Installez la batterie, mais n'armez pas le variateur ESC en vérifiant le CG. Vous risqueriez de vous blesser.



## Conseils de vol en mode SAFE Select

Lors d'un vol au mode SAFE Select, l'appareil retournera en vol à niveau à tout moment lorsque les commandes d'aileron et de gouverne de profondeur sont en position neutre. L'utilisation des commandes d'aileron ou de gouverne de profondeur fera s'incliner, grimper ou plonger l'appareil. La quantité de déplacement du manche déterminera l'attitude de vol de l'appareil. En maintenant le contrôle complet, l'appareil sera poussé vers les limites prédéterminées d'inclinaison et de roulis, mais ne dépassera pas ces angles.

Lors d'un vol au mode SAFE Select, il est normal de maintenir le manche de commande en déviation avec une saisie modérée d'aileron en volant à travers un virage. Pour voler correctement avec SAFE Select, évitez d'effectuer des changements de contrôles fréquents et n'essayez pas de corriger les déviations mineures. Le maintien de saisies de commande délibérées commandera à l'appareil de voler à un angle spécifique et le modèle effectuera toutes les corrections pour maintenir cette attitude de vol.

Lorsque vous volez avec SAFE Select, les gaz entraînent la montée ou la descente de l'appareil. La position plein régime fera cabrer et monter légèrement l'appareil. La position médiane des gaz maintiendra l'appareil en palier. La position faible ouverture des gaz entraînera une légère descente en piqué de l'appareil.

Remettez les commandes de gouverne de profondeur et d'aileron en position neutre avant de basculer du mode SAFE Select au mode AS3X. Si vous ne

neutralisez pas les commandes en basculant au mode AS3X, les saisies de commandes utilisées pour le mode SAFE Select seront excessives pour le mode AS3X et l'appareil réagira immédiatement.

### Différences entre les modes SAFE Select et AS3X

Cette section est généralement précise mais ne tient pas compte de la vitesse de vol, de l'état du chargeur de batterie et d'autres facteurs limitatifs.

		SAFE Sélectionner	AS3X
Entrée de contrôle	Le manche de commande est neutralisé	L'avion s'auto-nivellera	L'avion continuera à voler à son assiette actuelle
	Avoir une petite quantité de contrôle	L'avion s'inclinera ou tangera à un angle modéré et maintiendra l'assiette	L'avion continuera à tanguer ou à rouler lentement
	Garder le contrôle total	L'avion s'inclinera ou tangera jusqu'aux limites prédéterminées et maintiendra l'assiette	L'avion continuera à rouler ou à tanguer rapidement
	Manette de Gaz	Plein gaz : montée Neutre : Vol en palier Gaz bas : Descendre	L'accélérateur n'affectera pas la réponse en vol.

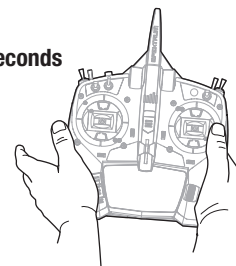
## Réglage des trims en vol

Lors de votre premier vol, procédez aux réglages de compensation de l'appareil pour le faire voler en palier avec les gaz aux 80-100%. Effectuez de légers réglages de trim (compensation) à l'aide des interrupteurs de compensation de votre émetteur afin d'obtenir un vol droit et à niveau.

Une fois les réglages de compensation effectués, ne touchez pas les manches de commande pendant trois secondes. Cela permet au récepteur AS3X de mémoriser les bons réglages et d'optimiser ainsi ses performances.

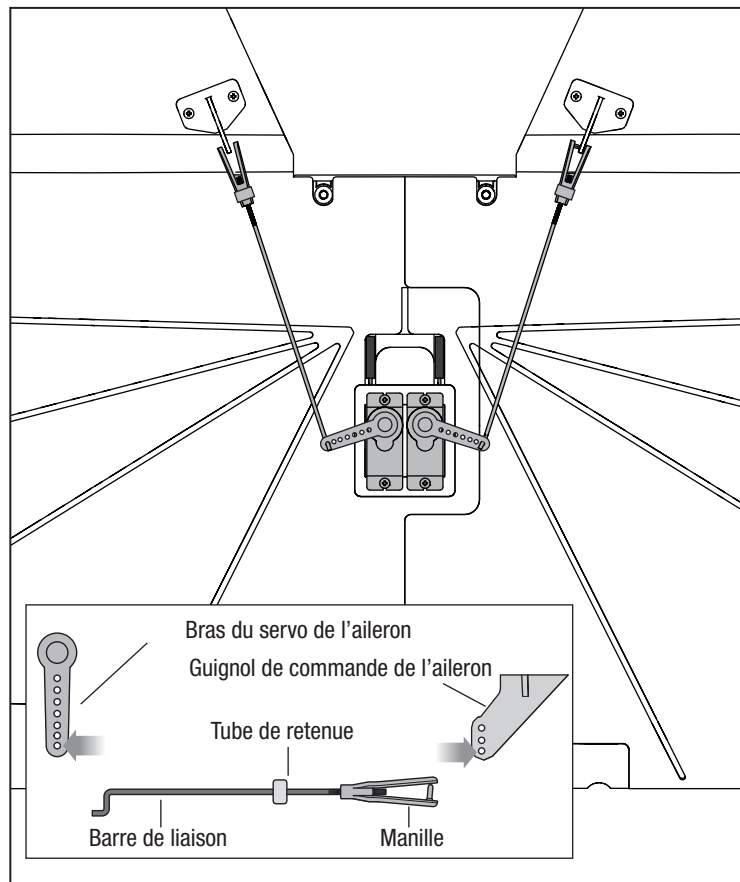
Le non-respect de cette recommandation pourrait nuire à la performance en vol.

3 Seconds



## Configuration de l'aileron à deux servos en option

1. Retirez l'aile de l'appareil.
2. Retirez la vis du bras de servo et le bras du servo installé.
3. Retirez le bras de servo du coude en Z de chaque barre de liaison.
4. Retirez les 2 vis qui fixent le servo à l'aile.
5. Repositionnez le servo à gauche de l'encoche du servo, en l'alignant avec les trous de vis de gauche.
6. Acheminez le fil et le connecteur du servo à travers l'encoche du servo et fixez le servo avec les 2 vis.
7. Installez un second servo d'aileron (SPMSA345SL, non inclus) à droite dans l'encoche du servo.
8. Acheminez la fiche et le connecteur de servo dans le canal de droite partant de l'encoche du servo et alignez les vis avec les trous de vis et fixez en place.
9. Connectez le servo de droite au canal 2 et le servo de gauche au canal 6 du récepteur.
10. À l'écran System Setup (Configuration système) de votre émetteur, mettez le Aircraft Type (Type d'appareil) sur Dual Aileron (Aileron double).
11. Connectez une batterie à l'appareil et allumez l'appareil pour centrer les servos.
12. Connectez le coude en Z des tringleries de commande à l'orifice le plus à l'extérieur du nouveau guignol de servo (EFL0370, requis et non inclus). Répétez l'opération pour l'autre guignol de servo.
13. Installez le guignol de servo sur le servo aussi près que possible des 90 degrés et fixez avec une vis.
14. Installez l'extrémité à manille de la nouvelle tringlerie sur l'orifice le plus à l'extérieur du guignol de commande de l'aileron.
15. Assurez-vous que les surfaces de commande de l'aileron sont centrées, ajustez mécaniquement la barre de liaison si nécessaire pour centrer l'aileron.
16. Installez l'aile sur le fuselage.



### Configuration informatisée de l'émetteur

Démarrez toutes les programmations de l'émetteur avec un modèle vierge ACRO (effectuez une réinitialisation du modèle), puis nommez le modèle.

Configurez les Dual Rates (doubles débattements) sur	Commutateur à 2 positions	Commutateur à 3 positions
	HIGH (ÉLEVÉ) 100 %	HIGH (ÉLEVÉ) 100 %
	LOW (FAIBLE) 70 %	MID (MOYEN) 70 %
Configurez la Servo Travel (course de servo) sur	100 %	
Configurez le Throttle Cut (arrêt du moteur) sur	-100 %	
DX6e † DX6 † (Gén. 2) DX7 † (Gén. 2) NX6 † DX8e DX8 (Gén. 2) DX9 DX10t DX18 DX20 iX12 † iX20 † NX6 NX8 NX10	<ol style="list-style-type: none"> <li>1. Accédez à SYSTEM SETUP (CONFIGURATION DU SYSTÈME) (Model Utilities (équipements du modèle)) †</li> <li>2. Configurez le MODEL TYPE (TYPE DE MODÈLE) : AIRPLANE (AVION)</li> <li>3. Configurez l'AIRCRAFT TYPE (TYPE D'APPAREIL) : Model Setup (configuration du modèle), Aircraft Type (type d'appareil) † : WING: Dual Aileron</li> </ol>	

## Maintenance après vol

1. Débranchez la batterie de vol du variateur ESC (nécessaire par mesure de sécurité et pour préserver la durée de vie de la batterie).
2. Éteignez l'émetteur.
3. Retirez la batterie de vol de l'appareil.
4. Réparez ou remplacez toutes les pièces endommagées.

5. Stockez la batterie de vol en dehors de l'appareil et surveillez la charge de la batterie.
6. Notez les conditions de vol et les résultats de vol pour prévoir les futurs vols.

## Opération de maintenance sur le moteur

**ATTENTION :** déconnectez toujours la batterie de vol avant d'effectuer une opération de maintenance sur le moteur.

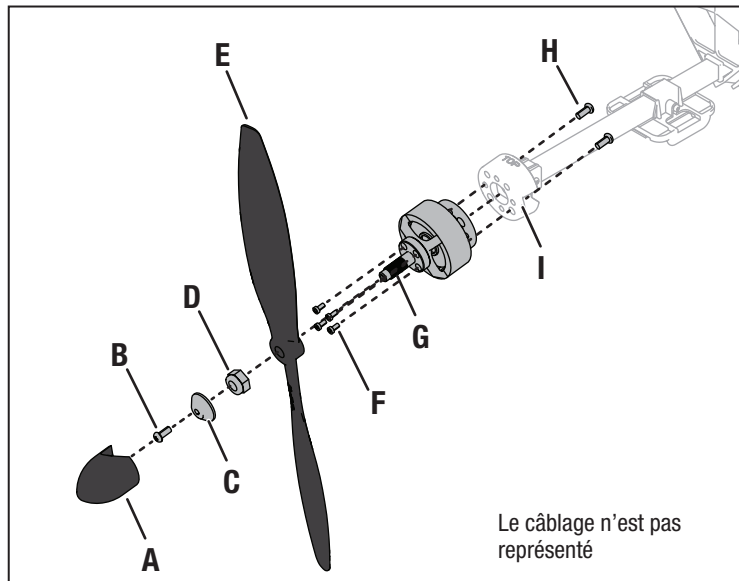
### Démontage

1. Retirez le cône (A), la vis (B), la rondelle de retenue du cône (C), l'écrou de l'hélice (D) et l'hélice (E).
2. Retirez les 4 vis (F) de l'arbre de l'hélice (G).
3. Retirez l'arbre de l'hélice de l'arbre du moteur.
4. Retirez les 2 vis (H) du support moteur (I) et du fuselage.
5. Débranchez les câbles du moteur des câbles du variateur ESC.

### Assemblage

Montez dans l'ordre inverse.

- Alignez et connectez les fils du moteur aux fils du variateur ESC en respectant les couleurs.
- Installez l'hélice avec les numéros de taille (11 x 5,5) orientés vers l'avant.
- Serrez l'écrou de l'hélice à l'aide d'une clé de 10 mm.
- Poussez le cône en caoutchouc sur la rondelle de retenue du cône en plastique.



Le câblage n'est pas représenté

## Entretien des servos

Gouverne	Servo de rechange	Description
Aileron	SPMSA345SL	Servo 9 g Sub-Micro A345SL
Gouverne de profondeur		
Gouverne de direction		

## Guide de dépannage AS3X

Problème	Cause Possible	Solution
Oscillations	Hélice ou cône endommagé	Remplacez l'hélice ou le cône
	Hélice déséquilibrée	Équilibrez l'hélice. Pour plus d'informations, regardez la vidéo de John Redman sur l'équilibrage des hélices sur <a href="http://www.horizonhobby.com">www.horizonhobby.com</a>
	Vibration du moteur	Remplacez les pièces endommagées et contrôlez le serrage et l'alignement des pièces
	Récepteur mal fixé	Réalignez et refixez le récepteur
	Commandes desserrées	Resserrez et vérifiez l'état des pièces (servos, palonniers, tringleries, guignols et gouvernes)
	Pièces usées	Remplacez les pièces usées (hélice, cône ou servo)
Performances de vol aléatoires	Fonctionnement erratique du servo	Remplacez le servo
	Le trim n'est pas au neutre	Si vous ajustez les trims plus de 8 clics, ajustez la chape pour annuler le trim
	Le sub-trim n'est pas au neutre	L'utilisation des sub-trims n'est pas permise. Réglez directement les tringleries
Mauvaise réponse de l'appareil aux essais de commande du système AS3X	L'avion n'est pas resté immobile durant 5 secondes	Avec le manche des gaz à sa position la plus basse, déconnectez la batterie, puis reconnectez-la et maintenez le modèle immobile 5 secondes
	Paramétrage incorrect des directions des commandes du récepteur, pouvant causer un crash	NE PAS faire voler l'aéronef. Contacter le service après-vente pour obtenir une solution.

## Guide de dépannage

Problème	Cause Possible	Solution
Le modèle ne répond pas aux gaz mais bien aux autres commandes	Le manche des gaz n'est pas au ralenti (idle) et/ou le trim des gaz est réglé à une valeur trop élevée	Réinitialisez les commandes avec le manche des gaz et le trim des gaz sur la position plus faible possible
	La course du servo des gaz est inférieure à 100%	Assurez-vous que la course du servo des gaz est de 100%
	La voie des gaz est inversée	Inversez la voie des gaz sur l'émetteur
	Moteur déconnecté du contrôleur	Assurez-vous que le moteur est bien connecté au contrôleur
L'hélice fait trop de bruit ou vibre trop	Hélice, cône, adaptateur ou moteur endommagé	Remplacez les pièces endommagées
	Déséquilibre de l'hélice	Équilibrez ou remplacez l'hélice
	Écrou de l'hélice desserré	Resserrez l'écrou
Durée de vol réduite ou manque de puissance du modèle	La charge de la batterie de vol est faible	Rechargez la batterie de vol complètement
	Hélice montée à l'envers	Montez l'hélice correctement avec les chiffres orientés vers l'avant
	Batterie de vol endommagée	Remplacez la batterie de vol et suivez les instructions la concernant
	Les conditions de vol sont peut-être trop froides	Assurez-vous que la batterie est à température avant de l'utiliser
Le modèle n'accepte pas l'affectation (au cours de la procédure) à l'émetteur	Capacité de la batterie trop faible pour les conditions de vol	Remplacez la batterie ou utilisez une batterie à plus grande capacité
	Émetteur trop près du modèle durant la procédure d'affectation	Déplacez l'émetteur allumé à quelques pas du modèle, déconnectez la batterie de vol du modèle et reconnectez-la
	Le modèle ou l'émetteur se trouve trop près d'un objet métallique, d'un réseau sans fil ou d'un autre émetteur	Placez le modèle et l'émetteur à un autre endroit et retentez l'affectation
	La prise affectation n'est pas bien installée dans le port d'affectation	Installez la prise affectation dans le port d'affectation et affectez le modèle à l'émetteur
	La charge de la batterie de vol/de l'émetteur est trop faible	Remplacez/rechargez les batteries
Le modèle ne veut pas établir la liaison avec l'émetteur (après affectation)	Bouton ou interrupteur d'affectation n'a pas été pressé assez longtemps pendant l'affectation	Mettez l'émetteur hors tension et répétez la procédure d'affectation. Maintenez le bouton ou l'interrupteur d'affectation jusqu'à ce que le récepteur soit affecté
	Émetteur trop près de l'aéronef lors du processus d'établissement de liaison	Déplacez l'émetteur allumé à quelques pas du modèle, déconnectez la batterie de vol du modèle et reconnectez-la
	Le modèle ou l'émetteur se trouve trop près d'un objet métallique, d'un réseau sans fil ou d'un autre émetteur	Déplacez le modèle ou l'émetteur à bonne distance et retentez la liaison
	La prise affectation est restée dans le port affectation	Ré-affectez l'émetteur au modèle et retirez la prise affectation avant de redémarrer
	Modèle affecté à une mémoire de modèle différente (émetteur ModelMatch uniquement)	Sélectionnez la bonne mémoire de modèle sur l'émetteur
	La charge de la batterie de vol/de l'émetteur est trop faible	Remplacez/rechargez les batteries
Les gouvernes ne bougent pas	L'émetteur a peut-être été affecté en utilisant un protocole DSM différent	Affectez le modèle à l'émetteur
	Gouverne, guignol, tringlerie ou servo endommagé	Remplacez ou réparez les pièces endommagées et réglez les commandes
	Câblage endommagé ou connexions lâches	Contrôlez les câbles et les connexions, connectez ou remplacez si besoin
	L'émetteur n'est pas affecté correctement ou il y a eu mauvaise sélection du modèle	Effectuez une nouvelle affectation ou sélectionnez le bon modèle dans l'émetteur
	La charge de la batterie de vol est faible	Rechargez la batterie de vol complètement
Le circuit BEC (Battery Elimination Circuit) du contrôleur est endommagé	Le circuit BEC (Battery Elimination Circuit) du contrôleur est endommagé	Remplacez le contrôleur

## Pièces de rechange

Référence	Description
EFL0351	Aile droite : Slow Ultra Stick
EFL0352	Aile gauche : Slow Ultra Stick
EFL0353	Tige d'aile : Slow Ultra Stick
EFL0354	Tube d'aile : Slow Ultra Stick
EFL0355	Ensemble de vis à oreilles : Slow Ultra Stick
EFL0356	Support d'aile avant : Slow Ultra Stick
EFL0357	Support d'aile arrière : Slow Ultra Stick
EFL0358	Support de montage : Slow Ultra Stick
EFL0359	Support du moteur : Slow Ultra Stick
EFL0360	Cône en caoutchouc : Slow Ultra Stick
EFL0361	Adaptateur d'hélice : Slow Ultra Stick
EFL0362	Ensemble train d'atterrissage : Slow Ultra Stick
EFL0363	Ensemble guignol de commande : Slow Ultra Stick
EFL0364	Ensemble de liaison de commande : Slow Ultra Stick
EFL0365	Ensemble de dispositif de retenue du fil : Slow Ultra Stick
EFL0366	Fuselage : Slow Ultra Stick
EFL0367	Tige de fuselage : Slow Ultra Stick
EFL0368	Stabilisateur vertical : Slow Ultra Stick
EFL0369	Stabilisateur horizontal : Slow Ultra Stick
EFL0370	Ensemble de bras de servo : Slow Ultra Stick
EFL0371	Feuillet d'autocollants : Slow Ultra Stick
EFL0372	Ensemble d'éléments de fixation : Slow Ultra Stick
EFLP1155	Hélice : 11 X 5,5
SPMSA345SL	Servo Sub-Micro 9 g A345SL ; fil de 60 mm
SPMXAE30D	Variateur ESC sans balais 30A Smart Avian
SPMXAM2800	Moteur sans balais : 3513-1 100 kV
SPMAR630	Récepteur AR630 DSMX 6 canaux AS3X et SAFE

## Éléments recommandés

Référence	Description
SPMR6655	Émetteur DX6e 6 canaux uniquement
SPMX133S30	Batterie 1 300 mAh 3S 11,1 V Smart G2 30C ;
SPMXC2050	Chargeur Smart CA S155 G2 1 x 55 W

## Pièces facultatives

Référence	Description
SPMR8105	Émetteur uniquement 8 canaux NX8e
SPMR6775	Émetteur uniquement 6 canaux NX6
SPMR8200	Émetteur uniquement 8 canaux NX8
SPMXC2080	Chargeur c.a. Smart S1100 G2, 1 x 100 W
SPMX22003S30	2 200 mAh 3S 11,1 V Smart 30C ; IC3
SPMX223S30	Batterie 2 200 mAh 3S 11,1 V Smart G2 30C ;
APC11055E	Hélice électrique, 11 x 5.5E
SPMSA345SL	Servo numérique Sub-Micro 9 g A345 ; fil de 60 mm
EFL0370	Ensemble de bras de servo : Slow Ultra Stick

## Matériel

Quantité	Emplacement	Description
4	Vis mécanique M3 x 6 mm	Pour fixer le moteur sur la fixation du moteur
1	Vis mécanique M2 x 6 mm	Pour fixer le support du variateur ESC au fuselage
1	Vis à oreilles M3 x 22mm	Pour fixer le stabilisateur horizontal au fuselage
3	Vis autotaraudeuse 2,3 x 4,5 mm	Pour fixer le bras de servo sur le servo
4	Vis autotaraudeuse 2 x 8 mm	Pour fixer le guignol de commande sur la gouverne
2	Vis mécanique à oreilles M3 x 22mm	Pour fixer l'aile au fuselage
1	Vis mécanique M3 x 6 mm	Pour fixer la rondelle de retenue du cône
1	Écrou de vis d'hélice M6	Pour fixer l'hélice à l'arbre d'hélice
4	Vis mécanique M2 x 7 mm	Pour fixer l'adaptateur d'hélice au moteur
1	Vis mécanique M2 x 14 mm	Pour fixer le support du moteur au fuselage
1	Vis mécanique M2 x 14 mm	Pour fixer le support de batterie au fuselage
1	Vis mécanique M2 x 14 mm	Pour fixer le support avant de l'aile au fuselage
1	Vis mécanique M2 x 14 mm	Pour fixer le support arrière de l'aile au fuselage
1	Vis mécanique M2 x 6 mm	Pour fixer le support du récepteur au fuselage
6	Vis autotaraudeuse 2 x 8 mm	Pour fixer les servos au fuselage
4	Vis mécanique M2 x 14 mm	Pour fixer les deux moitiés du fuselage ensemble
1	12.8mm x 500mm	Tube d'aile
2	Diamètre 85 mm, Largeur 17 mm, Moyeu 3 mm	Roue principale
1	Diamètre 21 mm, Largeur 7 mm, Moyeu 1,3 mm	Roue de queue

## Garantie et réparations

### Durée de la garantie

Garantie exclusive - Horizon Hobby, LLC (Horizon) garantit que le Produit acheté (le « Produit ») sera exempt de défauts matériels et de fabrication à sa date d'achat par l'Acheteur. La durée de garantie correspond aux dispositions légales du pays dans lequel le produit a été acquis. La durée de garantie est de 6 mois et la durée d'obligation de garantie de 18 mois à l'expiration de la période de garantie.

### Limitations de la garantie

- (a) La garantie est donnée à l'acheteur initial (« Acheteur ») et n'est pas transférable. Le recours de l'acheteur consiste en la réparation ou en l'échange dans le cadre de cette garantie. La garantie s'applique uniquement aux produits achetés chez un revendeur Horizon agréé. Les ventes faites à des tiers ne sont pas couvertes par cette garantie. Les revendications en garantie seront acceptées sur fourniture d'une preuve d'achat valide uniquement. Horizon se réserve le droit de modifier les dispositions de la présente garantie sans avis préalable et révoque alors les dispositions de garantie existantes.
- (b) Horizon n'endosse aucune garantie quant à la vendabilité du produit ou aux capacités et à la forme physique de l'utilisateur pour une utilisation donnée du produit. Il est de la seule responsabilité de l'acheteur de vérifier si le produit correspond à ses capacités et à l'utilisation prévue.
- (c) Recours de l'acheteur – Il est de la seule discrétion d'Horizon de déterminer si un produit présentant un cas de garantie sera réparé ou échangé. Ce sont là les recours exclusifs de l'acheteur lorsqu'un défaut est constaté.

Horizon se réserve la possibilité de vérifier tous les éléments utilisés et susceptibles d'être intégrés dans le cas de garantie. La décision de réparer ou de remplacer le produit est du seul ressort d'Horizon. La garantie exclut les défauts esthétiques ou les défauts provoqués par des cas de force majeure, une manipulation incorrecte du produit, une utilisation incorrecte ou commerciale de ce dernier ou encore des modifications de quelque nature qu'elles soient.

La garantie ne couvre pas les dégâts résultant d'un montage ou d'une manipulation erronés, d'accidents ou encore du fonctionnement ainsi que des tentatives d'entretien ou de réparation non effectuées par Horizon. Les retours effectués par le fait de l'acheteur directement à Horizon ou à l'une de ses représentations nationales requièrent une confirmation écrite.

### Limitation des dommages

Horizon ne saurait être tenu pour responsable de dommages consécutifs directs ou indirects, de pertes de revenus ou de pertes commerciales, liés de quelque manière que ce soit au produit et ce, indépendamment du fait qu'un recours puisse être formulé en relation avec un contrat, la garantie ou l'obligation de garantie. Par ailleurs, Horizon n'acceptera pas de recours issus d'un cas de garantie lorsque ces recours dépassent la valeur unitaire du produit. Horizon n'exerce aucune influence sur le montage, l'utilisation ou la maintenance du produit ou sur d'éventuelles combinaisons de produits choisies par l'acheteur. Horizon ne prend en compte aucune garantie et n'accepte aucun recours pour les blessures ou les dommages pouvant en résulter. Horizon Hobby ne saurait être tenu responsable d'une utilisation ne respectant pas les lois, les règles ou réglementations en vigueur.

En utilisant et en montant le produit, l'acheteur accepte sans restriction ni réserve toutes les dispositions relatives à la garantie figurant dans le présent document. Si vous n'êtes pas prêt, en tant qu'acheteur, à accepter ces dispositions en relation avec l'utilisation du produit, nous vous demandons de restituer au vendeur le produit complet, non utilisé et dans son emballage d'origine.

### Indications relatives à la sécurité

Ceci est un produit de loisirs perfectionné et non un jouet. Il doit être utilisé avec précaution et bon sens et nécessite quelques aptitudes mécaniques ainsi que mentales. L'incapacité à utiliser le produit de manière sûre et raisonnable peut provoquer des blessures et des dégâts matériels conséquents. Ce produit n'est pas destiné à être utilisé par des enfants sans la surveillance par un tuteur. La notice d'utilisation contient des indications relatives à la sécurité ainsi que des indications concernant la maintenance et le fonctionnement du produit. Il est absolument indispensable de lire et de comprendre ces indications avant la première mise en service. C'est uniquement ainsi qu'il sera possible d'éviter une manipulation erronée et des accidents entraînant des blessures et des dégâts. Horizon Hobby ne saurait être tenu responsable d'une utilisation ne respectant pas les lois, les règles ou réglementations en vigueur.

### Questions, assistance et réparations

Votre revendeur spécialisé local et le point de vente ne peuvent effectuer une estimation d'éligibilité à l'application de la garantie sans avoir consulté Horizon. Cela vaut également pour les réparations sous garantie. Vous voudrez bien, dans un tel cas, contacter le revendeur qui conviendra avec Horizon d'une décision appropriée, destinée à vous aider le plus rapidement possible.

### Maintenance et réparation

Si votre produit doit faire l'objet d'une maintenance ou d'une réparation, adressez-vous soit à votre revendeur spécialisé, soit directement à Horizon. Emballez le produit soigneusement. Veuillez noter que le carton d'emballage d'origine ne suffit pas, en règle générale, à protéger le produit des dégâts pouvant survenir pendant le transport. Faites appel à un service de messagerie proposant une fonction de suivi et une assurance, puisque Horizon ne prend aucune responsabilité pour l'expédition du produit jusqu'à sa réception acceptée. Veuillez joindre une preuve d'achat, une description détaillée des défauts ainsi qu'une liste de tous les éléments distincts envoyés. Nous avons de plus besoin d'une adresse complète, d'un numéro de téléphone (pour demander des renseignements) et d'une adresse de courriel.

### Garantie et réparations

Les demandes en garantie seront uniquement traitées en présence d'une preuve d'achat originale émanant d'un revendeur spécialisé agréé, sur laquelle figurent le nom de l'acheteur ainsi que la date d'achat. Si le cas de garantie est confirmé, le produit sera réparé. Cette décision relève uniquement d'Horizon Hobby.

### Réparations payantes

En cas de réparation payante, nous établissons un devis que nous transmettons à votre revendeur. La réparation sera seulement effectuée après que nous ayons reçu la confirmation du revendeur. Le prix de la réparation devra être acquitté au revendeur. Pour les réparations payantes, nous facturons au minimum 30 minutes de travail en atelier ainsi que les frais de réexpédition. En l'absence d'un accord pour la réparation dans un délai de 90 jours, nous nous réservons la possibilité de détruire le produit ou de l'utiliser autrement.

**ATTENTION:** Nous n'effectuons de réparations payantes que pour les composants électroniques et les moteurs. Les réparations touchant à la mécanique, en particulier celles des hélicoptères et des voitures radiocommandées, sont extrêmement coûteuses et doivent par conséquent être effectuées par l'acheteur lui-même.

## Informations de contact pour garantie et réparation

Pays d'achat	Horizon Hobby	Numéro de téléphone/E-mail	Adresse
Union européenne	Horizon Technischer Service Sales: Horizon Hobby GmbH	service@horizonhobby.eu +49 (0) 4121 2655 100	Hanskampring 9 D 22885 Barsbüttel, Germany

## Informations IC

**IC: 6157A-SPMAR630**

**CAN ICES-3 (B)/NMB-3(B)**

Ce dispositif contient un/des émetteur(s)/récepteur(s) non soumis à licence conforme(s) aux CNR d'Innovation, Sciences et Développement économique Canada. Son utilisation est soumise aux deux conditions suivantes :

1. Cet appareil ne doit pas causer d'interférences.
2. Cet appareil doit accepter toutes les interférences, y compris celles pouvant entraîner un dysfonctionnement.

## Informations de conformité pour l'Union européenne

**CE Déclaration de conformité aux normes de l'UE**

**EFL Slow Ultra Stick Manual 1.2M BNF Basic (EFL0350)**; Par la présente, Horizon Hobby, LLC déclare que cet appareil est conforme aux directives suivantes : Directive CEM 2014/30/UE, Directive RoHS 2 2011/65/UE, Directive RoHS 3 - Modifiant 2011/65/UE Annexe II 2015/863..

Le texte complet de la déclaration de conformité aux normes de l'UE est disponible à l'adresse Internet suivante : <https://www.horizonhobby.com/content/support-render-compliance>.

**Plage de fréquences sans fil et puissance de sortie sans fil :**  
2402-2478MHz  
4.65dBm

### NOTE DEEE :



L'étiquette de cet appareil respecte la directive européenne 2012/19/UE en matière de déchets des équipements électriques et électroniques (DEEE). Cette étiquette indique que ce produit ne doit pas être jeté avec les déchets ménagers, mais déposé dans une installation appropriée afin de permettre sa récupération et son recyclage.

### Fabricant officiel pour l'UE :

Horizon Hobby, LLC  
2904 Research Road  
Champaign, IL 61822 USA

### Importateur officiel pour l'UE :

Horizon Hobby, GmbH  
Hanskampring 9  
22885 Barsbüttel Germany

Australia/New Zealand:



**E328**



## AVVISO

Tutte le istruzioni, le garanzie e gli altri documenti pertinenti sono soggetti a cambiamenti a totale discrezione di Horizon Hobby, LLC. Per una documentazione aggiornata sul prodotto, visitare il sito [horizonhobby.com](http://horizonhobby.com) o [towerhobbies.com](http://towerhobbies.com) e fare clic sulla sezione Support del prodotto.

## CONVENZIONI TERMINOLOGICHE

Nella documentazione relativa al prodotto vengono utilizzati i seguenti termini per indicare i vari livelli di pericolo potenziale durante l'uso del prodotto:

**AVVERTENZA:** Indica procedure che, se non debitamente seguite, determinano il rischio di danni alle cose, danni collaterali e gravi lesioni alle persone o il rischio elevato di lesioni superficiali alle persone.

**ATTENZIONE:** Indica procedure che, se non debitamente seguite, determinano il rischio di danni alle cose e di gravi lesioni alle persone.

**AVVISO:** Indica procedure che, se non debitamente seguite, possono determinare il rischio di danni alle cose e il rischio minimo o nullo di lesioni alle persone.



**AVVERTENZA:** leggere TUTTO il manuale di istruzioni e familiarizzare con le caratteristiche del prodotto prima di farlo funzionare. Un uso improprio del prodotto può causare danni al prodotto stesso e alle altre cose e gravi lesioni alle persone.

Questo modello è un prodotto sofisticato per appassionati di modellismo. Deve essere azionato in maniera attenta e responsabile e richiede alcune conoscenze basilari di meccanica. L'uso improprio o irresponsabile di questo prodotto può causare lesioni alle persone e danni al prodotto stesso o alle altre cose. Questo prodotto non deve essere utilizzato dai bambini senza la diretta supervisione di un adulto. Non tentare di smontare, utilizzare componenti incompatibili o modificare il prodotto in nessun caso senza previa approvazione di horizon hobby, llc. Questo manuale contiene le istruzioni per la sicurezza, l'uso e la manutenzione del prodotto. È fondamentale leggere e seguire tutte le istruzioni e le avvertenze del manuale prima di montare, impostare o utilizzare il prodotto, al fine di utilizzarlo correttamente e di evitare di causare danni alle cose o gravi lesioni alle persone.

**Limite minimo di età consigliato: Almeno 14 anni. Non è un giocattolo.**

## Precauzioni e Avvertenze Sulla Sicurezza

L'utente di questo prodotto è l'unico responsabile del corretto utilizzo del medesimo in modo tale da non risultare pericoloso per sé stesso e gli altri e da non danneggiare il prodotto stesso o i beni altrui.

- Mantenere sempre la distanza di sicurezza in tutte le direzioni attorno al modello per evitare collisioni o danni. Questo modello è controllato da un segnale radio soggetto a interferenze provenienti da diverse sorgenti non controllabili dall'utilizzatore. Tali interferenze possono provocare perdite momentanee di controllo.
- Utilizzare sempre il modello in spazi liberi da veicoli, traffico e persone.
- Seguire sempre scrupolosamente le istruzioni e le avvertenze sia per il modello che per tutti gli accessori (caricabatteria, pacchi batteria ricaricabili, ecc.).
- Tenere sempre le sostanze chimiche, le parti piccole e i componenti elettrici fuori dalla portata dei bambini.
- Evitare sempre il contatto con l'acqua di tutte le apparecchiature che non sono state appositamente progettate a tale scopo. L'umidità danneggia i componenti elettronici.
- Non mettere in bocca le parti del modello. Potrebbe essere pericoloso e persino mortale.
- Non utilizzare il modello se le batterie della trasmittente sono poco cariche.
- Tenere sempre il velivolo in vista e sotto controllo.
- Usare sempre batterie completamente cariche.
- Tenere sempre la trasmittente accesa quando il velivolo viene alimentato.
- Rimuovere sempre le batterie prima dello smontaggio.
- Tenere sempre pulite le parti mobili.
- Tenere sempre i componenti asciutti.
- Lasciare sempre che i componenti si raffreddino dopo l'uso prima di toccarli.
- Rimuovere sempre le batterie dopo l'uso.
- Accertarsi sempre che il failsafe sia impostato correttamente prima del volo.
- Non utilizzare mai velivoli con cablaggi danneggiati.
- Non toccare mai le parti in movimento.



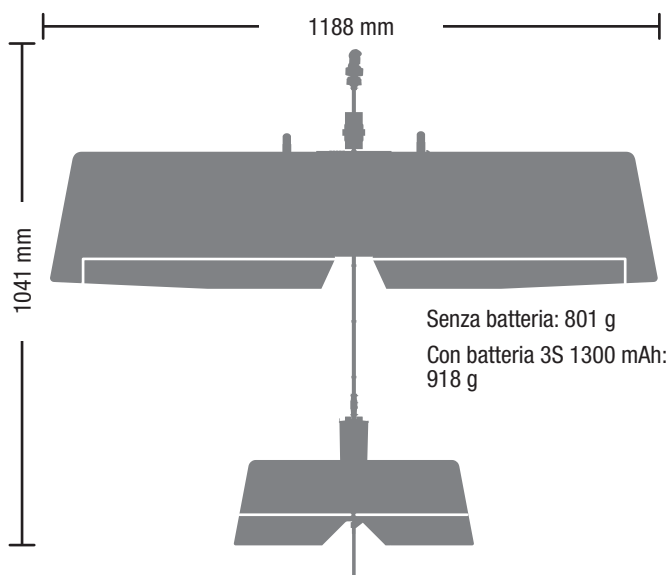
**ATTENZIONE AI PRODOTTI CONTRAFFATTI:** se è necessario sostituire la ricevente Spektrum in dotazione con uno dei prodotti Horizon Hobby, si raccomanda di acquistare sempre da Horizon Hobby, LLC o da un suo rivenditore autorizzato per essere certi dell'autenticità e della qualità del prodotto Spektrum. Horizon Hobby, LLC nega ogni assistenza tecnica e garanzia a titolo esemplificativo, ma non esaustivo in merito alla compatibilità e alle prestazioni di prodotti contraffatti o dichiarati compatibili con la tecnologia DSM o Spektrum.

## Elementi inclusi / consigliati

	<b>BNF</b> BASIC
<b>MOTORE:</b> 3513-1100 Kv Outrunner, 14 poli (SPMXAM2800)	<b>Incluso</b>
<b>ESC:</b> Avian 30 A Smart Lite Brushless; 3S-4S, IC3 (SPMXAE30D)	<b>Installato</b>
<b>Servo:</b> A345SL servo sub-micro 9 g: cavo 60mm (SPMSA345SL) Alettone: (1) Timone: (1) Equilibratore: (1)	<b>Installato</b>
<b>Ricevitore:</b> AR630 DSMX AS3X a 6 canali e ricevitore SAFE (SPMAR630)	<b>Installato</b>
<b>Batteria consigliata*:</b> 3S 1300 mAh 30C Li-Po (SPMX133S30)	<b>Richiesto</b>
<b>Caricabatterie consigliato:</b> S155 3-celle Li-Po (SPMCXC2050)	<b>Richiesto</b>
<b>Trasmittente consigliata:</b> a piena portata, 4+ canali, 2,4 GHz con tecnologia Spektrum DSMX®/DSM2 e Dual Rate programmabili.	<b>Richiesto</b>

\*gamma batterie: 2S-3S 1300-2200 mAh LiPo

## Specifiche



## Indice

Specifiche.....	66
Assemblaggio del modello.....	67
Impostazione della trasmittente.....	72
Installare la batteria e armare l'ESC.....	73
Binding.....	74
Assegnazione interruttore SAFE® Select.....	75
Telemetria ESC integrata.....	76
Test di controllo della direzione.....	76
Verificare il verso dei controlli AS3x.....	77
Centraggio della superficie di controllo e regolazione di una forcella.....	78
Impostazione delle squadrette e dei bracci dei servi.....	78
Doppia velocità e controllo lanci.....	78
Baricentro (CG).....	79
Suggerimenti per il volo con SAFE® Select.....	79
Trimmaggio in volo.....	79
Configurazione opzionale alettoni a due servo.....	80
Dopo il volo.....	81

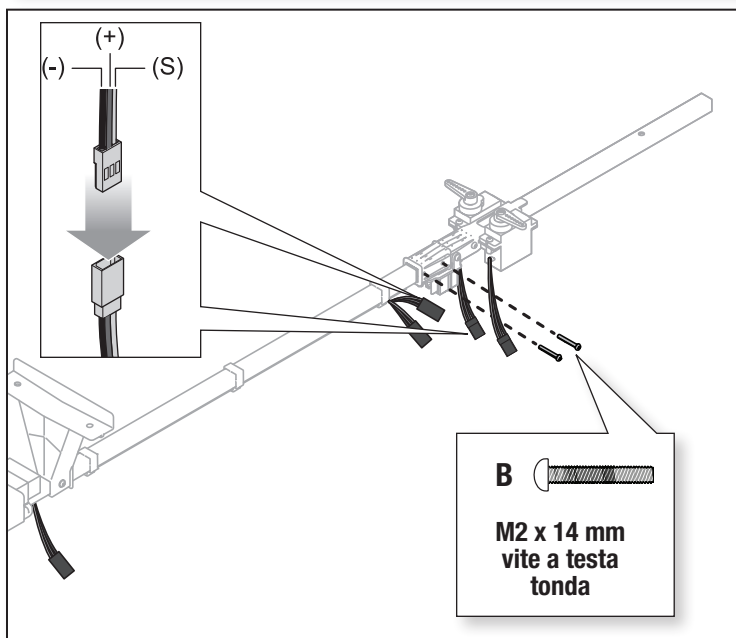
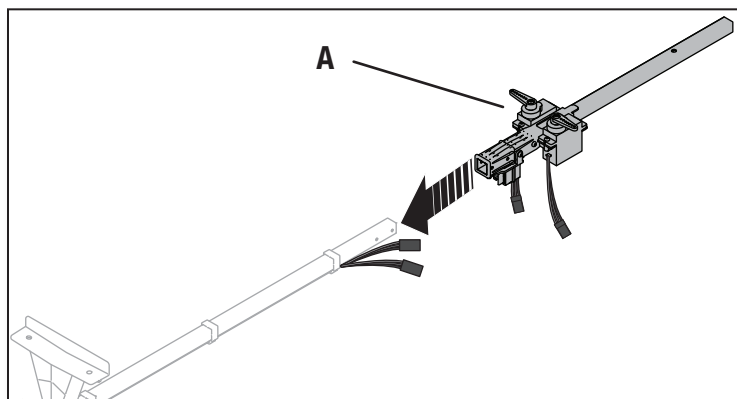
Manutenzione del motore.....	81
Manutenzione dei servo.....	81
Guida alla risoluzione dei problemi con l'AS3X.....	81
Guida alla risoluzione dei problemi.....	82
Parti di ricambio.....	83
Parti consigliate.....	83
Parti opzionali.....	83
Bulloneria.....	83
Garanzia.....	84
Garanzia e Assistenza - Informazioni per i contatti.....	85
Dichiarazione di conformità per l'Unione europea.....	85

## Assemblaggio del modello

### Montaggio della sezione posteriore della fusoliera

1. Far scorrere le due sezioni della fusoliera fino a farle scattare, collegando le sezioni anteriore e posteriore della fusoliera.
2. Fissare le sezioni con le due viti a testa tonda M2 x 14 mm in dotazione. (Usare un cacciavite a stella #1)
3. Le spine dei servo dell'equilibratore hanno un segno di identificazione argentato. Allineare questi segni e collegare la spina dei servo dell'equilibratore alla prolunga del ricevitore. Anche i colori dei fili si allineeranno, a conferma che la polarità è corretta.
4. Collegare la spina del servo del timone alla prolunga del ricevitore. Queste spine non hanno un contrassegno argentato; servirsi del colore del filo per allinearle correttamente.
5. Impilare le spine collegate e inserirle nel fermo.

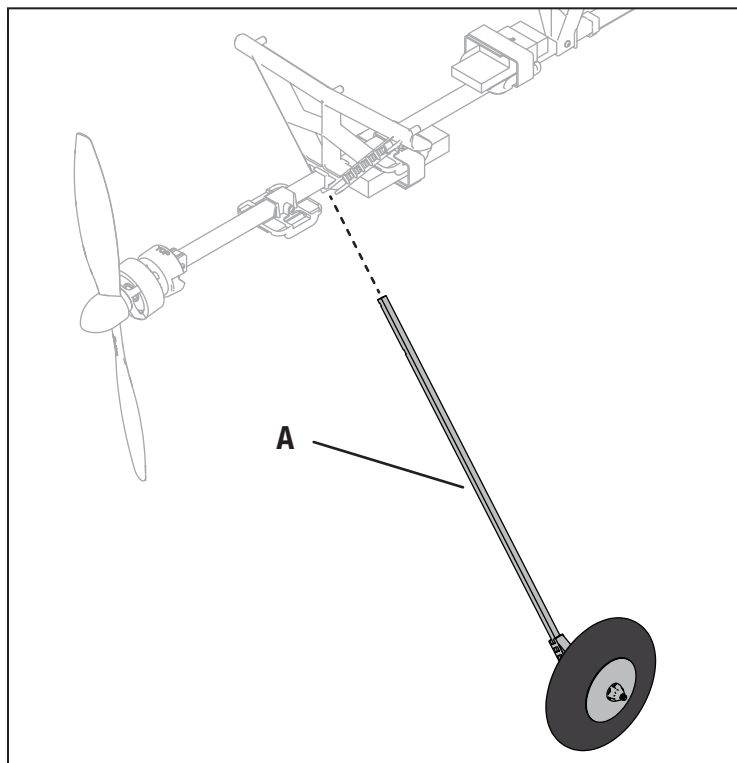
Smontare in ordine inverso.



### Montaggio del carrello principale

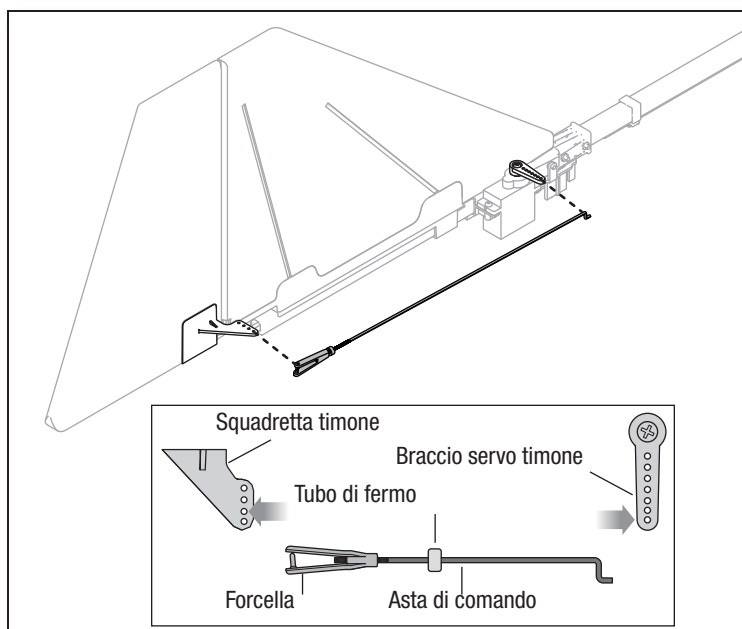
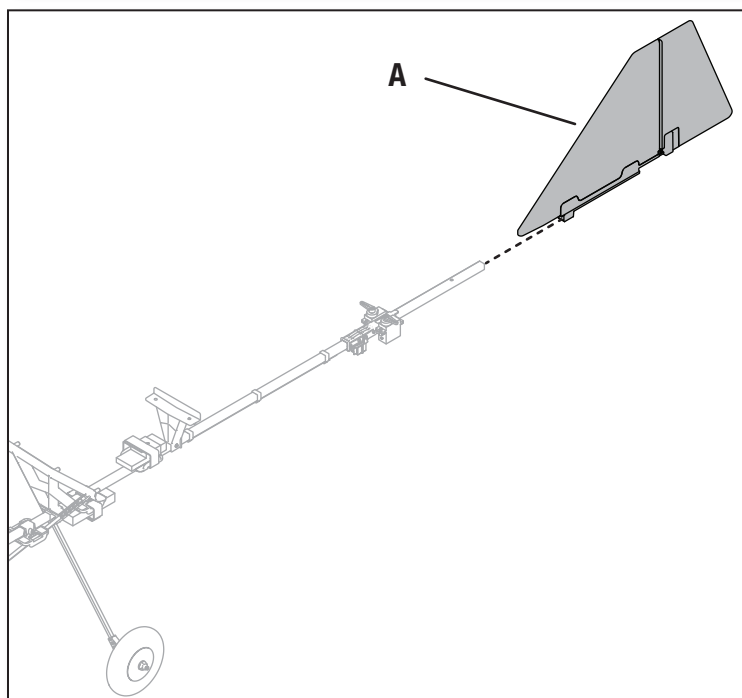
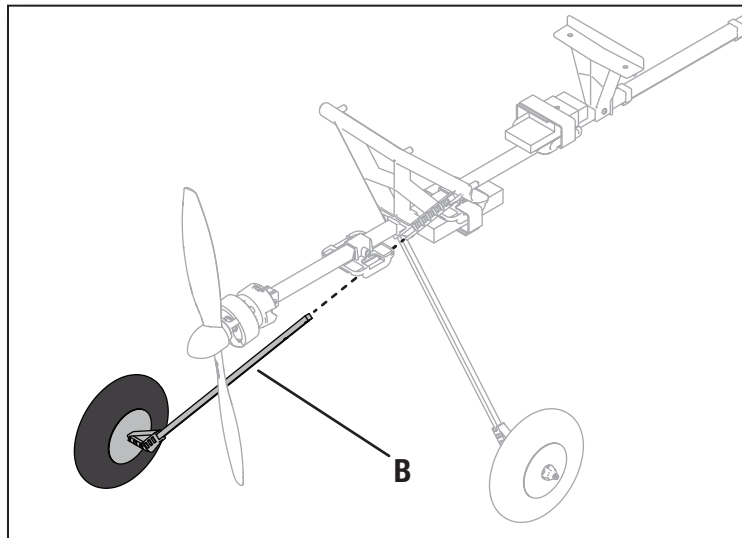
1. Far scorrere una gamba del carrello principale (**A**) nella fessura fino a innestare il fermo di arresto. È necessario esercitare una pressione decisa per innestare il fermo.
2. Far scorrere l'altra gamba (**B**) nella fessura opposta fino a bloccare il fermo.

Smontare in ordine inverso, utilizzando un attrezzo come un cacciavite piatto per sbloccare l'arresto.



## Montaggio dello stabilizzatore verticale

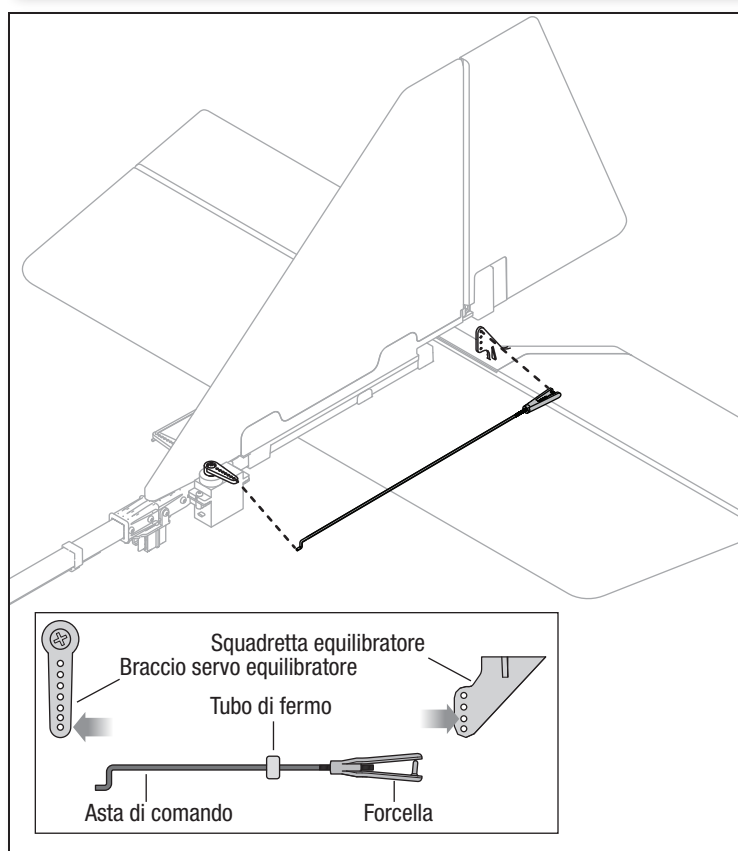
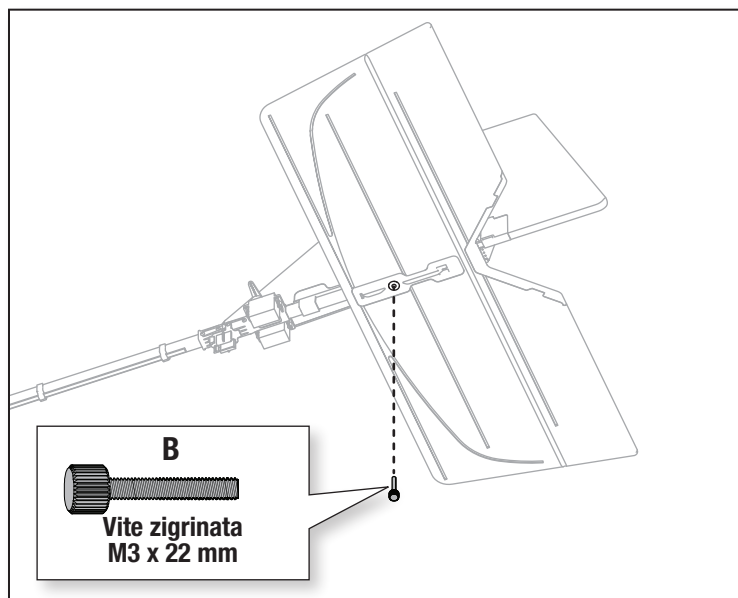
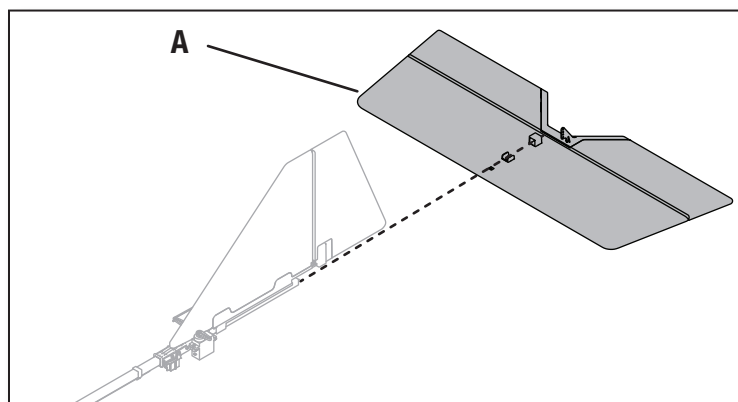
1. Far scorrere lo stabilizzatore verticale (A) sul tubo posteriore della fusoliera fino ad allineare il foro.
2. Nella busta dei componenti ci sono due aste di comando per il timone e l'equilibratore. Prendere quella più lunga e usarla per il timone.
3. Collegare la curva a zeta dell'asta di comando del timone da 193 mm al foro più esterno del braccio del servo.
4. Agganciare la forcella al terzo foro più esterno della squadretta del timone (vedere la istruzioni del collegamento della forcella).



## Montaggio dello stabilizzatore orizzontale

1. Assicurarsi che la squadretta di comando sia rivolta verso l'alto, quindi far scorrere lo stabilizzatore orizzontale (A) sul tubo posteriore della fusoliera fino ad allineare i fori delle viti inferiori.
2. Fissare gli stabilizzatori verticali e orizzontali con le viti zigrinate M3 x 22 mm in dotazione (B).
3. Collegare la curva a zeta dell'asta di comando dell'equilibratore da 180 mm al foro più esterno del braccio del servo.
4. Agganciare la forcella al terzo foro più esterno della squadretta dell'equilibratore (vedere la istruzioni del collegamento della forcella).

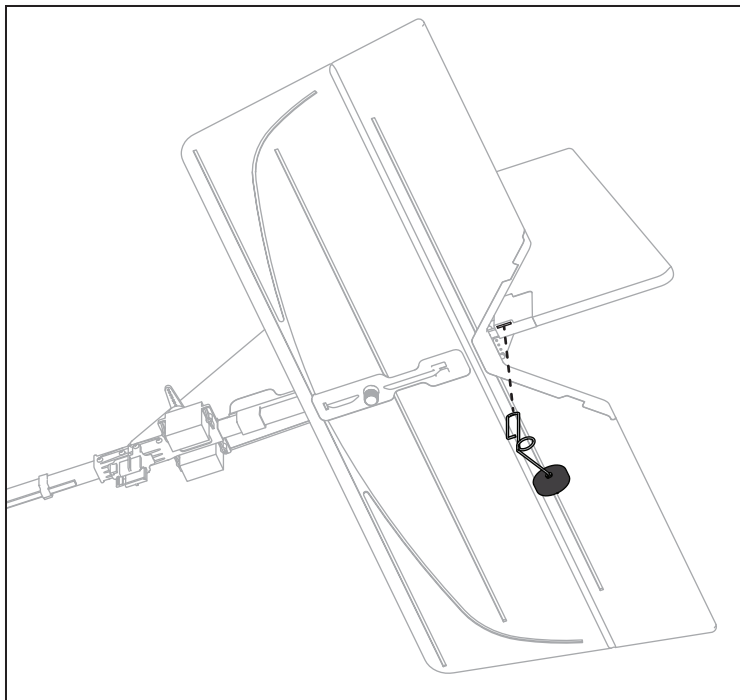
Smontare in ordine inverso.



## Montaggio del ruotino di coda

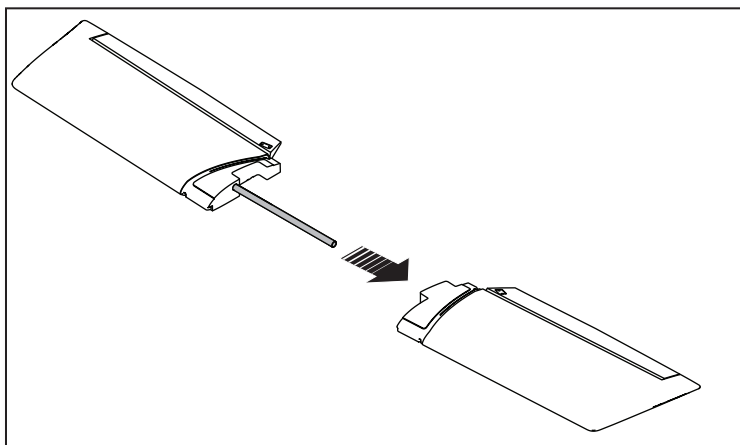
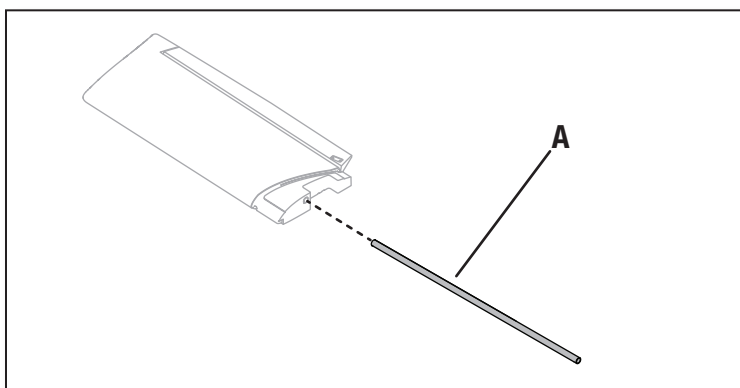
1. Allineare il cavo del ruotino di coda con l'incavo nella parte inferiore del timone.
2. Premere il cavo del ruotino di coda nell'incavo finché non scatta in posizione.

Smontare in ordine inverso.



## Montaggio dell'ala

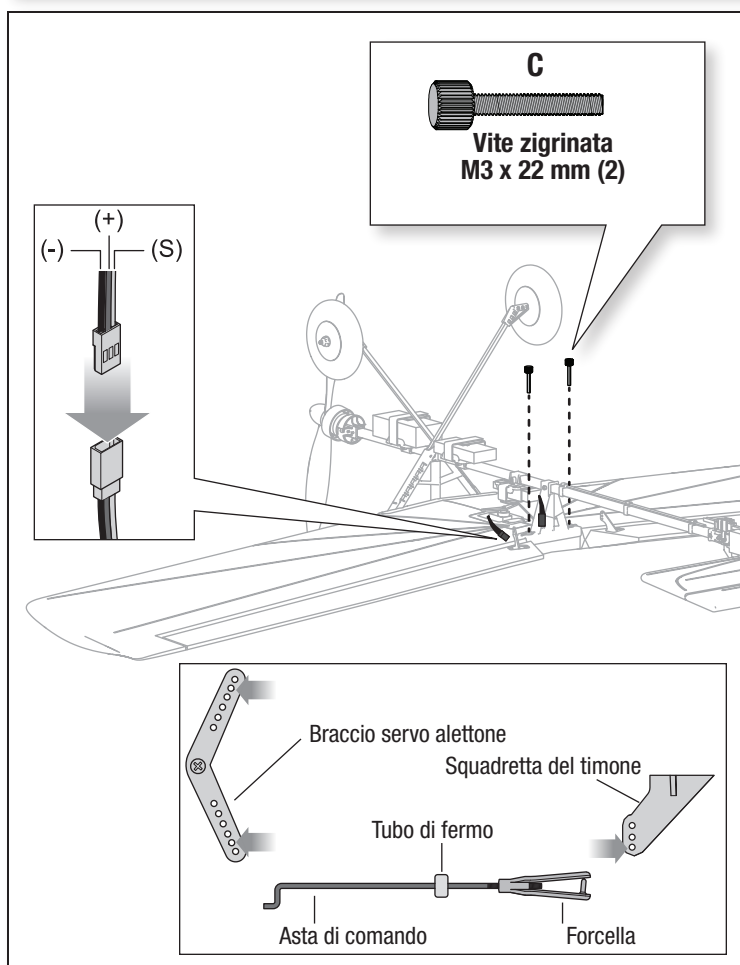
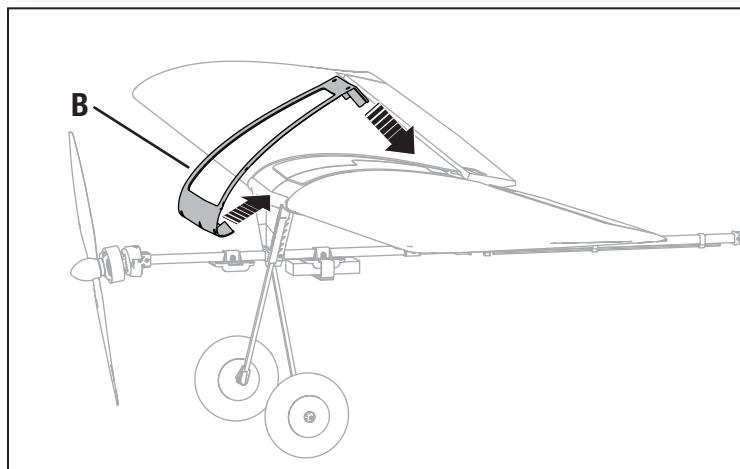
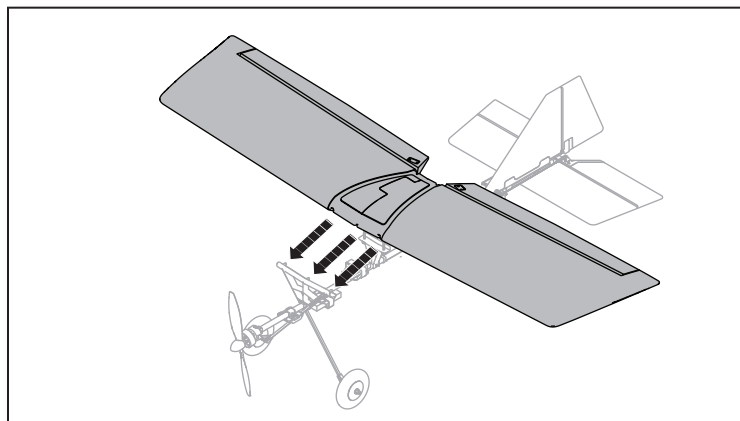
1. Inserire il tubo dell'ala (A) nell'ala.
2. Far scorrere e unire le due semiali.



## Montaggio dell'ala

1. Allineare e posizionare il fermo dell'ala (**B**) sulla parte superiore dell'ala.
2. Allineare l'ala con i tre perni sul supporto anteriore dell'ala, quindi far scorrere l'ala in avanti in posizione.
3. Fissare l'ala ai supporti con le due viti zigrinate M3 x 22 mm in dotazione (**C**).
4. Collegare il connettore del servo dell'alettone alla prolunga del servo del ricevitore.
5. Collegare le aste di comando degli alettoni alle squadrette nelle posizioni indicate

Smontare in ordine inverso.



## Impostazione della trasmittente

**AVVERTENZA:** attivare la funzione di taglio gas. Attivare sempre il taglio gas prima di avvicinarsi all'aeromodello.

**AVVERTENZA:** non assegnare mai Aux 2 a SAFE Select durante la configurazione della trasmittente, qualsiasi sia il modello della trasmittente. Se Aux 2 è assegnato a SAFE Select, il canale del gas/motore si inverte quando SAFE Select viene attivato durante il volo. L'inversione del motore è assegnata di default ad Aux 2/canale 7 nello Smart ESC.

**IMPORTANTE:** dopo avere configurato il modello, ripetere sempre la procedura di binding tra trasmittente e ricevitore per regolare le posizioni di failsafe desiderate.

**IMPORTANTE:** il ricevitore incluso è stato programmato specificamente per questo aeromodello.

† Le funzioni e la terminologia per la programmazione delle trasmittenti iX12, iX14 e iX20 possono differire leggermente da quelle degli altri radiocomandi Spektrum AirWare™. I nomi tra parentesi corrispondono alla terminologia di programmazione delle trasmittenti iX12, iX14 e iX20. Consultare il manuale della trasmittente per informazioni specifiche sulla sua programmazione.

### File di configurazione preimpostati per la trasmittente

Per configurare più rapidamente la trasmittente, visitare [www.SpektrumRC.com](http://www.SpektrumRC.com) e scaricare i file di configurazione preimpostati più recenti per la trasmittente. Scaricare il file del modello corretto e installarlo nella trasmittente usando una scheda SD.

1. Andare su [SpektrumRC.com](http://SpektrumRC.com)
2. Passare il mouse su Support (Supporto) e fare clic su Support Hub (Hub supporto) dal menu visualizzato.
3. Scorrere e selezionare la propria trasmittente dall'elenco.
4. Spostarsi su Quick Link (Collegamenti rapidi) e fare clic su Manuals & Support (Manuali e supporto).
5. Fare clic sul link Transmitter Preset Download (Scarica preimpostazioni trasmittente).
6. Seguire le istruzioni per importare i file per la configurazione preimpostata del modello.

### Dual Rate

Si consiglia una riduzione di corsa corta per i primi voli.

**AVVISO:** per garantire il corretto funzionamento della tecnologia AS3X®, non ridurre l'escursione dei comandi sotto il 50%. Se si desidera usare corse più corte, regolare manualmente la posizione delle aste di comando sulle squadrette dei servo.

### Impostazione di trasmissioni computerizzate

Iniziare la programmazione della trasmittente con un modello ACRO non configurato (eseguire il reset del modello), quindi assegnare un nome al modello.

	Int. a 2 posizioni	Int. a 3 posizioni
Imp. i Dual Rate	HIGH 100%	HIGH 100%
	LOW 70%	MID 70%
		LOW 50%
Imp. corsa servo	100%	
Imp. taglio gas	-100%	
DX6e † DX6 † (Gen2) DX7 † (Gen2) NX6 † DX8e DX8 (Gen2) DX9 DX10t DX18 DX20 iX12 † iX20 † NX6 NX8 NX10	<ol style="list-style-type: none"> <li>1. Andare in SYSTEM SETUP (IMP. SISTEMA) (Model Utilities (Gestione modelli)) †</li> <li>2. Impostare MODEL TYPE (TIPO MODELLO): AIRPLANE (AEROPILANO)</li> <li>3. Impostare AIRCRAFT TYPE (TIPO AEROMODELLO): (Model Setup, Aircraft Type (Imp. modello, Tipo aeromodello)) †: WING (ALA): Normale</li> </ol>	

**AVVISO:** consultare la guida alla risoluzione dei problemi per maggiori informazioni se si verificano oscillazioni ad alta velocità.

### Esponenziale

Dopo i primi voli, è possibile regolare l'esponenziale nella trasmittente.

### Impostazione della telemetria sulla trasmittente

\* Se la trasmittente che si intende utilizzare con questo aeromodello non visualizza i dati telemetrici, visitare il sito [www.SpektrumRC.com](http://www.SpektrumRC.com) e aggiornarne il firmware. Con il firmware più recente installato sulla trasmittente, l'opzione telemetria dovrebbe risultare operativa.



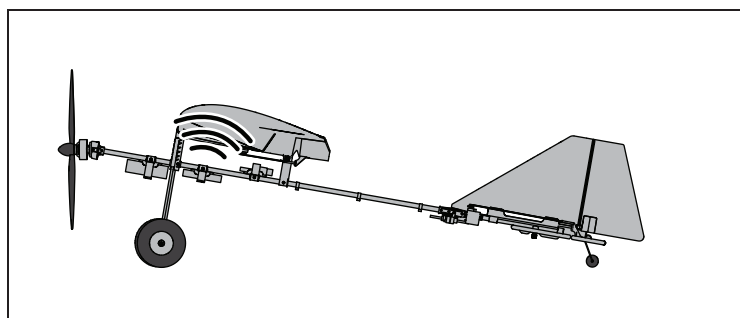
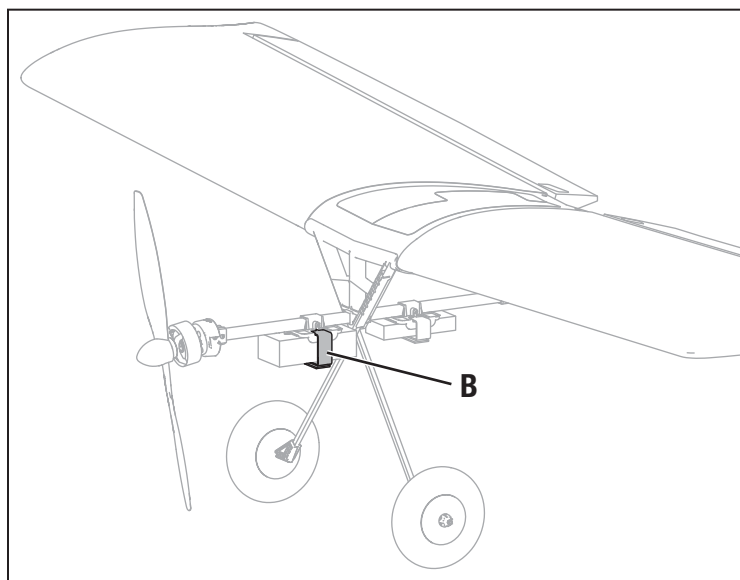
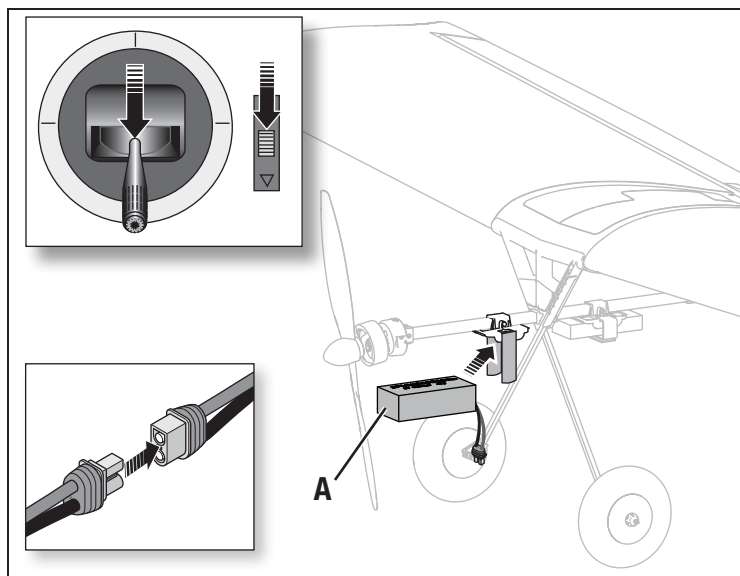
## Installare la batteria e armare l'ESC

### Scelta della batteria

Si consiglia una batteria 3S 1300 mAh 30C Smart LiPo. Consultare l'elenco delle parti opzionali per le altre batterie consigliate. Se si usano batterie diverse da quelle elencate, queste devono avere capacità, peso e dimensioni analoghe a quelle della batteria Spektrum LiPo consigliata, per consentirne l'alloggiamento in fusoliera.

1. Abbassare completamente trim e stick del gas. Accendere la trasmittente e attendere 5 secondi.
  2. Installare una batteria completamente carica **(A)** nel vassoio della batteria come illustrato e fissarla con fascette a strappo **(B)**.
  3. Collegare la batteria all'ESC.
  4. Tenere l'aeromodello immobile e al riparo dal vento, altrimenti il sistema non si inizierà.
- L'ESC emetterà una serie di toni (vedere il passaggio 6 delle istruzioni per la procedura di binding per maggiori informazioni).
  - Un LED si accenderà sul ricevitore.

**ATTENZIONE:** tenere sempre le mani lontano dall'elica. Quando armato, il motore fa girare le eliche a ogni minimo spostamento dello stick del gas.



## Binding

### Suggerimenti generali per il binding

- Il ricevitore incluso è stato programmato specificamente per questo aeromodello. In caso di sostituzione del ricevitore, consultare il manuale del ricevitore per impostarlo correttamente.
- Tenersi a distanza da grandi oggetti metallici durante la connessione.
- Non puntare l'antenna della trasmittente direttamente al ricevitore durante la connessione.
- Il LED arancione sul ricevitore inizia a lampeggiare rapidamente quando il ricevitore entra in modalità di binding.
- Una volta collegato, il ricevitore mantiene le impostazioni di binding per la trasmittente a cui è stato associato fino a quando non si esegue nuovamente il binding.
- Se il ricevitore perde la comunicazione con la trasmittente, il failsafe si attiva. Il failsafe sposta il canale del gas in posizione di gas basso. Le tracce di beccheggio e rollo funzionano in movimento per stabilizzare attivamente l'aereo in una virata verso il basso.
- In caso di problemi, consultare la guida alla risoluzione dei problemi o, se necessario, contattare il servizio di assistenza di Horizon Hobby.

### Connessione fra trasmittente e ricevente / Commutare ON e OFF il SAFE Select

La versione BNF Basic di questo modello include la tecnologia SAFE Select, che consente di scegliere il livello di protezione dell'involuppo di volo. La modalità SAFE permette di impostare limiti di angolo e il ritorno automatico al volo livellato. La modalità AS3X fornisce al pilota una risposta diretta agli stick di comando. SAFE Select viene abilitato o disattivato durante il processo di binding.

Con SAFE Select disabilitato l'aereo è sempre in modalità AS3X. Con SAFE Select abilitato l'aereo è sempre in modalità SAFE Select, oppure è possibile assegnare un interruttore per passare tra le modalità SAFE Select e AS3X.

Grazie alla tecnologia SAFE Select, questo modello può dunque essere impostato in modalità SAFE non disinseribile, in modalità AS3X non disinseribile oppure è possibile assegnare a un interruttore la commutazione tra una modalità e l'altra.


**IMPORTANTE:** prima del binding, leggere in questo manuale la sezione relativa alle impostazioni della trasmittente e seguire la relativa tabella per programmare la trasmittente in modo corretto per questo modello.

**IMPORTANTE:** spostare i comandi di volo della trasmittente (timone, equilibratori e alettoni) e il trim del gas in posizione neutra. Spostare il gas in basso prima e durante il binding. Questo serve a definire le impostazioni di failsafe.

Per completare la procedura di binding e SAFE Select, è possibile utilizzare il pulsante di binding sul ricevitore o il connettore di binding convenzionale.

#### Uso del pulsante di binding

##### SAFE Select attivato



Abbassare il gas → Collegare l'alimentazione → Premere e tenere premuto il pulsante di binding

Il LED arancione lampeggia → Procedere con il binding tra TX e RX → Rilasciare il pulsante di binding

**SAFE Select attivato:** le superfici di controllo si muovono avanti e indietro **due volte** con una leggera pausa in posizione neutra ogni volta che il ricevitore viene acceso

##### SAFE Select disattivato




Abbassare il gas → Collegare l'alimentazione → Premere il pulsante di binding

Il LED arancione lampeggia → Rilasciare il pulsante di binding → Procedere con il binding tra TX e RX

**SAFE Select disattivato:** le superfici di controllo si muovono avanti e indietro **una volta** ogni volta che il ricevitore viene acceso.

#### Rimuovere il connettore di binding

##### SAFE Select attivato

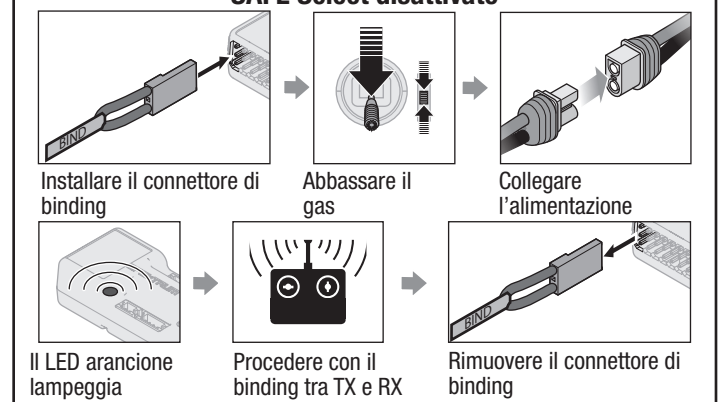


Installare il connettore di binding → Abbassare il gas → Collegare l'alimentazione

Il LED arancione lampeggia → Rimuovere il connettore di binding → Procedere con il binding tra TX e RX

**SAFE Select attivato:** le superfici di controllo si muovono avanti e indietro **due volte** con una leggera pausa in posizione neutra ogni volta che il ricevitore viene acceso.

##### SAFE Select disattivato



Installare il connettore di binding → Abbassare il gas → Collegare l'alimentazione

Il LED arancione lampeggia → Procedere con il binding tra TX e RX → Rimuovere il connettore di binding

**SAFE Select disattivato:** le superfici di controllo si muovono avanti e indietro **una volta** ogni volta che il ricevitore viene acceso.

## Assegnazione interruttore SAFE® Select

Una volta abilitata la funzione SAFE Select, è possibile scegliere se volare in modalità SAFE non disinseribile, oppure assegnarne l'attivazione a un interruttore. È possibile assegnare la funzione a uno qualsiasi degli interruttori dei canali da 5 e 9.

Se la funzione SAFE Select non è abilitata al momento del binding del velivolo, il modello volerà con la sola modalità AS3X.

**ATTENZIONE:** tenersi ben lontani dall'elica e assicurarsi che il velivolo sia ben trattenuto in caso di attivazione accidentale del gas.

**IMPORTANTE:** prima di assegnare un interruttore è necessario verificare:

- Che la funzione SAFE Select sia stata abilitata al momento del binding del velivolo.
- Che l'interruttore scelto per SAFE Select sia assegnato a un canale compreso tra 5 e 9 (Carrello, Aux1-4) e che la sua corsa sia impostata al 100% in entrambe le direzioni.
- Che la direzione di alettoni, equilibratore, timone e gas sia impostata su normale, non su inverso.
- Che la corsa di alettoni, equilibratore, timone e gas sia impostata sul 100%. Se si usano i dual rate, gli interruttori devono essere in posizione 100%.

Vedere il manuale della trasmittente per maggiori informazioni sull'assegnazione di un interruttore a un canale.

**CONSIGLIO:** se l'interruttore SAFE Select è richiesto per un velivolo a 6 funzioni e si utilizza una trasmittente a 6 canali, il canale dell'interruttore SAFE Select dovrà essere condiviso con il canale 5 o 6 della trasmittente.

## Funzione Forward Programming

Assegnare il canale SAFE Select tramite la programmazione avanzata Forward Programmino se si usa una trasmittente Spektrum compatibile.



Per maggiori informazioni sull'impostazione di SAFE Select e l'utilizzo della programmazione Forward Programming, cliccare sul link che segue per un video dettagliato:

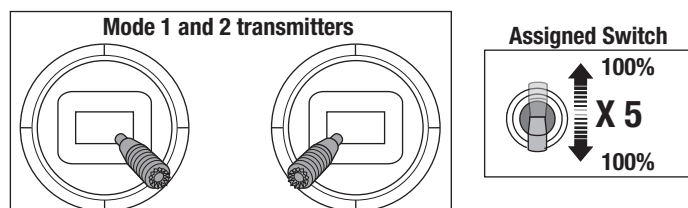
<https://www.youtube.com/watch?v=o-46P066cik>

## Assegnazione di un interruttore

1. Accendere la trasmittente.
2. Accendere l'aeromodello.
3. Tenere entrambi gli stick della trasmittente rivolti verso il basso e verso l'interno e commutare rapidamente l'interruttore scelto per 5 volte (1 commutazione = una corsa completa in su e giù).
4. Le superfici di controllo del velivolo si muoveranno, indicando che l'interruttore è stato assegnato.

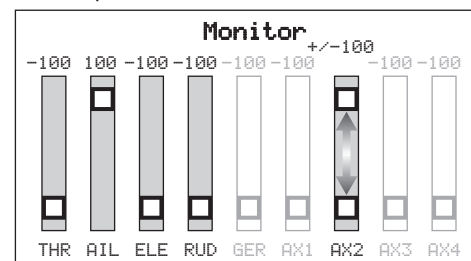
Ripetere la procedura per assegnare un interruttore diverso o per deselectare l'interruttore corrente.

## Posizioni degli stick per assegnare SAFE Select a uno switch



**CONSIGLIO:** usare il monitor dei canali per verificare il movimento del canale.

L'esempio qui riportato mostra le posizioni degli stick per l'assegnazione dell'interruttore, la selezione dell'interruttore su Aux2 e il +/- 100% di corsa sull'interruttore.



## Impostazione Forward Programming per SAFE Select

Serie DX, Serie NX, Serie iX	1. La trasmittente deve già essere associata al ricevitore.
	2. Accendere la trasmittente.
	3. Assegnare a SAFE Select un interruttore che non sia già stato assegnato ad altra funzione. Utilizzare uno qualunque dei canali aperti tra 5 e 9 (Carrello, Aux1-4).
	4. Impostare l'interruttore H (taglio manetta) per prevenire gli azionamenti involontari del motore.
	5. Accendere il modello. Una barra indicatrice appare nella schermata principale della trasmittente a indicare che il segnale telemetrico è stato acquisito.
	6. Andare in FUNCTION LIST (Model Setup) [ELENCO FUNZIONI (Imp. modello)]
	7. Selezionare Forward Programming; Selezionare Gyro Settings (Imp. giroscopi), Scegliere SAFE Select per entrare nel menu.
	8. Impostare SAFE Select Ch: al canale che è stato scelto per SAFE Select.
	9. Impostare AS3X e SAFE On o Off come si desidera per ciascuna delle posizioni dell'interruttore.

## Telemetria ESC integrata

questa versione include funzioni telemetriche tra ESC e ricevitore, con invio di dati come giri/motore, tensione, corrente del motore, impostazione manetta (%) e temperatura FET (regolatore di velocità).

Per maggiori informazioni sulle trasmissioni compatibili, gli aggiornamenti firmware e l'utilizzo della tecnologia telemetrica della trasmittente, visitare [www.SpektrumRC.com](http://www.SpektrumRC.com).

### Impostazione delle telemetria

Serie DX,  
Serie NX,  
Serie iX

1. La trasmittente deve già essere associata al ricevitore.
2. Accendere la trasmittente.
3. Impostare l'interruttore H (taglio manetta) per prevenire l'azionamento accidentale del motore.
4. Accendere il modello. Una barra indicatrice appare nella schermata principale della trasmittente a indicare che il segnale telemetrico è stato acquisito.
5. Andare in FUNCTION LIST (Model Setup) [LISTA FUNZIONI (Imp. modello)]
6. Selezionare TELEMETRY; Smart ESC (TELEMETRIA; Smart ESC)
7. Impostare il numero di celle: 3
8. Impostare l'allarme LVC: 3,4 V Impostare Alarm; Voice/Vibe (Allarme; Voce/Vibrazione)
9. Impostare il conteggio dei poli; 14 poli

## Test di controllo della direzione

Accendere la trasmittente e collegare la batteria. Usare la trasmittente per azionare i comandi di alettoni, equilibratore e timone. Controllare il movimento delle superfici di controllo guardando il velivolo dal retro.

Questo modello è configurato con un mix integrato alettone-timone; quando gli alettoni vengono deflessi, il timone si muove.

### Equilibratore

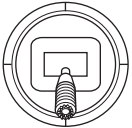
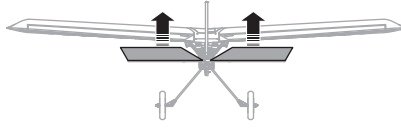
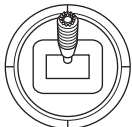
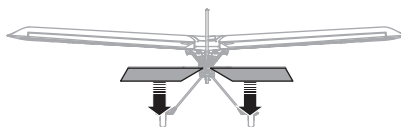
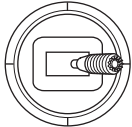
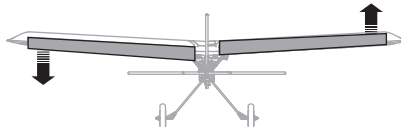
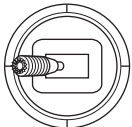
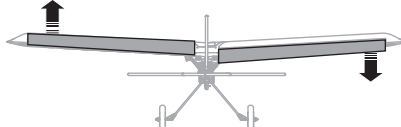
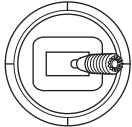
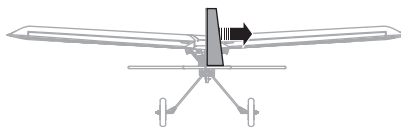
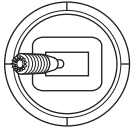
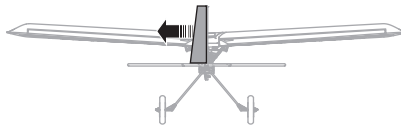
1. Tirare lo stick a sé. Gli equilibratori devono muoversi verso l'alto, manovra che induce beccheggio verso l'alto.
2. Spingere lo stick dell'equilibratore in avanti. Gli equilibratori devono muoversi verso il basso, manovra che induce beccheggio verso il basso.

### Alettoni

1. Muovere lo stick degli alettoni a destra. L'alettone destro deve muoversi verso l'alto e quello di sinistra verso il basso, manovra che induce il velivolo a inclinarsi a destra.
2. Muovere lo stick degli alettoni a sinistra. L'alettone di sinistra deve muoversi verso l'alto e quello di destra verso il basso, manovra che induce il velivolo a inclinarsi a sinistra.

### Timone

1. Spostare lo stick del timone a destra. Il timone deve spostarsi a destra, manovra che induce l'imbardata del velivolo a destra.
2. Muovere lo stick del timone a sinistra. Il timone deve spostarsi a sinistra, manovra che induce l'imbardata del velivolo a sinistra.

	Comando trasmittente	Tisposta aereo
Elevatore		
		
Alettone		
		
Direzionale		
		

## Verificare il verso dei controlli AS3x

Questa prova serve per assicurarsi che il sistema AS3X funzioni correttamente. Prima di fare questa prova, montare l'aereo e connettere (bind) la trasmittente con la ricevente.

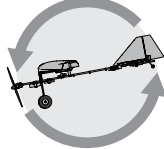
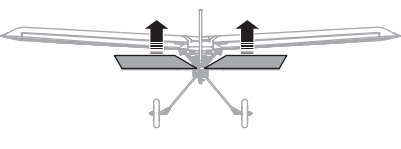
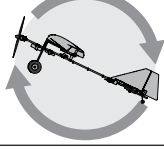
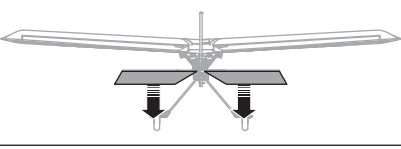
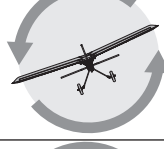
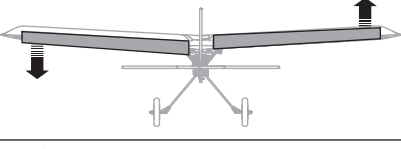
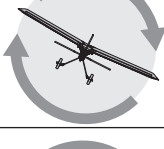
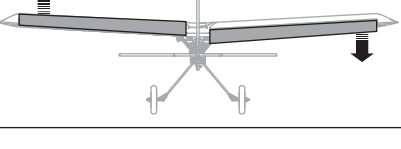
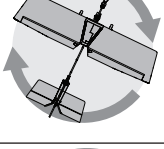
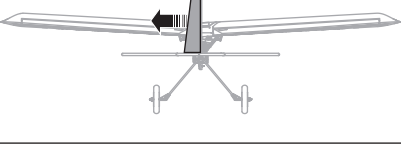
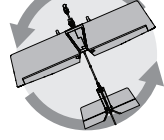
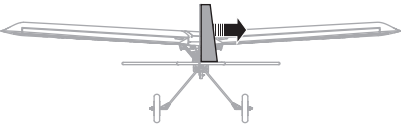
1. Attivare il sistema AS3X alzando il comando motore oltre il 25% e poi abbassandolo completamente.

**ATTENZIONE:** tenere parti del corpo, capelli e lembi di vestiario non aderente lontani dall'elica, per evitare che possano impigliarsi.

2. Muovere l'aereo come indicato per accertarsi che le superfici di controllo si muovano come indicato nell'illustrazione. Se le superfici di controllo non dovessero rispondere nel modo indicato, non fare volare l'aereo. Per maggiori informazioni si vedano le istruzioni della ricevente.

Quando il sistema AS3X è attivo, le superfici di controllo dell'aereo si muovono rapidamente. Questo è normale. L'AS3X resterà attivo finché non si scollega la batteria.

A causa dei diversi effetti di coppia, portanza e resistenza aerodinamica, alcuni modelli richiedono variazioni di trim in base alle variazioni impostazioni di velocità e gas. I mix sono precaricati nel ricevitore per compensare questi cambiamenti. I mix diventano attivi la prima volta che la manetta viene alzata oltre il 25%. Le superfici di controllo possono risultare leggermente sfalsate alle diverse impostazioni del gas quando la manetta viene alzata per la prima volta. Il trimmaggio del modello in volo andrebbe condotto all'80-100% del gas per ottenere i migliori risultati.

	Aircraft movment	AS3X Reaction
Elevatore		
		
Allettone		
		
Direzionale		
		

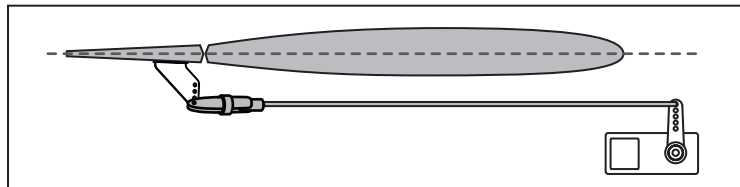
## Centraggio della superficie di controllo e regolazione di una forcella

**IMPORTANTE:** eseguire il test della direzione dei comandi prima di procedere con il centraggio delle superfici di controllo.

Con la modalità SAFE non attiva, centrare meccanicamente le superfici di controllo.

**IMPORTANTE:** affinché il sistema SAFE funzioni correttamente è necessario che sub-trim e trim siano a 0.

Dopo aver connesso trasmettente e ricevitore, impostare trim e sub-trim a 0, assicurarsi che i bracci dei servo siano nelle posizioni corrette, quindi regolare le forcelle per centrare le superfici di controllo.



### Rimuovere la forcella

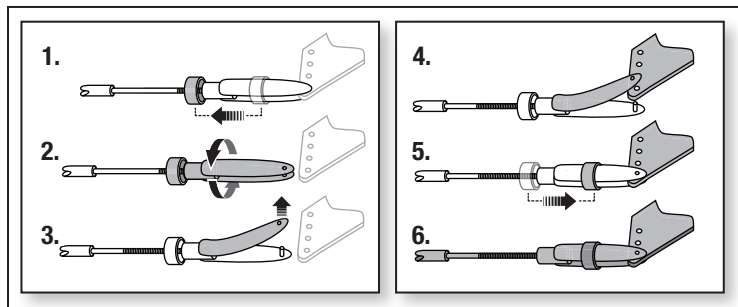
1. Far scivolare via il tubo di fermo dalla forcella.
2. Allargare delicatamente la forcella e rimuovere il perno della forcella dalla squadretta.

### Regolare la forcella

3. Ruotare la forcella per regolare la lunghezza dell'asta di comando.

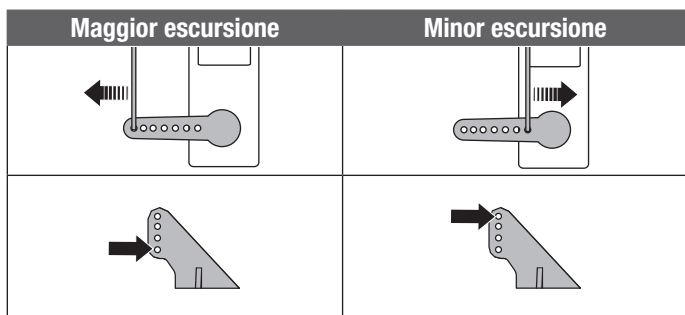
### Reinstallare la forcella

4. Allargare delicatamente la forcella, quindi inserire il perno della forcella nel foro specificato della squadretta.
5. Riportare il tubo di fermo per fissare la forcella alla squadretta.



## Impostazione delle squadrette e dei bracci dei servi

La tabella a destra mostra le impostazioni di fabbrica per le squadrette di controllo e i bracci dei servo. Portare in volo l'aeromodello alle impostazioni di fabbrica prima di apportare cambiamenti.



	Squadrette di controllo	Bracci dei servo
<b>Equilibratore</b>		
<b>Timone</b>		
<b>Alettoni</b>		

## Doppia velocità e controllo lanci

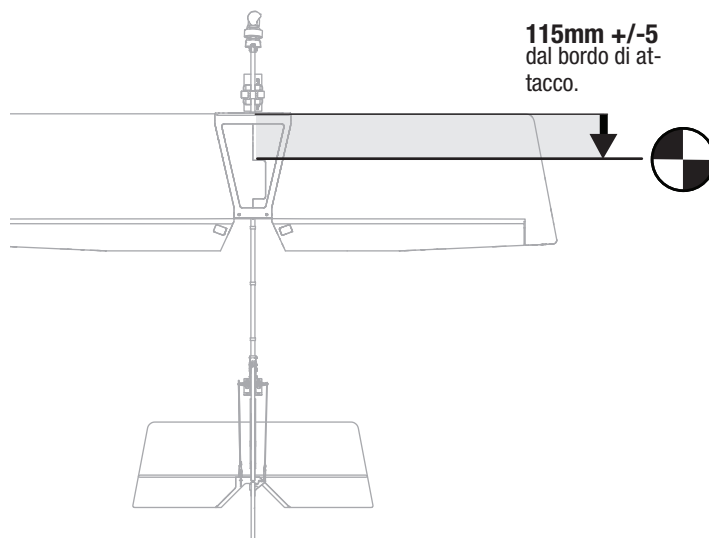
Programmare la trasmettente per impostare corse e limitazioni dei comandi ai valori indicati. Tali valori sono stati verificati e sono un buon punto di partenza per volare con successo.

	Corsa lunga	Corsa corta
<b>Alettone</b>	▲ = 12mm ▼ = 12mm	▲ = 8mm ▼ = 8mm
<b>Equilibratore</b>	▲ = 15mm ▼ = 15mm	▲ = 11mm ▼ = 11mm
<b>Timone</b>	▶ = 25mm ◀ = 25mm	▶ = 15mm ◀ = 15mm

## Baricentro (CG)

La posizione del baricentro (CG) si misura dal bordo di entrata dell'ala. La posizione del CG è stata determinata dopo aver installato la batteria 3S 1300 mAh LiPo consigliata (SPMX22004S30) in posizione tutto avanti nel vano portabatteria. Spostare la batteria in avanti o all'indietro quanto necessario per ottenere il corretto posizionamento del CG.

**ATTENZIONE:** installare la batteria, ma non armare l'ESC durante la verifica del baricentro (CG). Si corre altrimenti il rischio di incorrere in lesioni personali.



## Suggerimenti per il volo con SAFE® Select

In modalità SAFE Select, l'aereo riprende a volare in volo livellato ogni volta che i comandi di equilibratore e alettoni sono in posizione neutra. L'azionamento di alettoni o equilibratore porta il velivolo a inclinarsi, cabrare o picchiare. La corsa dello stick determina l'assetto di volo assunto dal velivolo. Dando pieno comando, il velivolo viene spinto ai limiti preimpostati di inclinazione e rollio, senza superare però tali angoli.

Quando si vola con SAFE Select è normale tenere lo stick di comando deflesso con applicazione moderata degli alettoni in virata. Per mantenere una risposta ai comandi fluida con SAFE Select, evitare cambi frequenti di controllo e non tentare di correggere le deviazioni minori. Mantenere i comandi in assetto intenzionale porta il modello a volare con un angolo specifico e a eseguire tutte le correzioni necessarie per mantenere tale assetto di volo.

Quando si vola con SAFE Select, il comando del gas fa salire o scendere l'aereo. Con il gas al massimo, l'aereo alza il muso e cabra leggermente. Il gas a metà mantiene il modello in volo livellato. Il gas basso porta l'aereo a scendere con muso leggermente verso il basso.

Ripartire i comandi di elevatore e alettoni in posizione neutra prima di passare dalla modalità SAFE Select alla modalità AS3X. Poiché gli input di comando utilizzati per la modalità SAFE Select sono eccessivi se usati per la modalità AS3X, il velivolo reagirà immediatamente se si passa ad AS3X senza aver portato prima i comandi in posizione neutra.

## Trimmaggio in volo

Durante il primo volo, trimmare l'aereo in modo che voli livellato con 3/4 di motore e con flaps e carrello retratti.

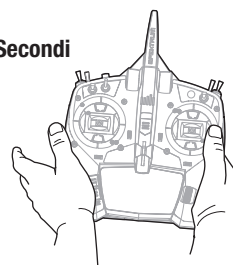
Dopo aver regolato i trim, non toccare gli stick di comando per almeno 3 secondi. Questo permette alla ricevente di memorizzare le correzioni per ottimizzare le prestazioni dell'AS3X.

Se non si fa questo, si potrebbe influire sulle prestazioni in volo.

## Differenze tra le modalità SAFE Select e AS3X

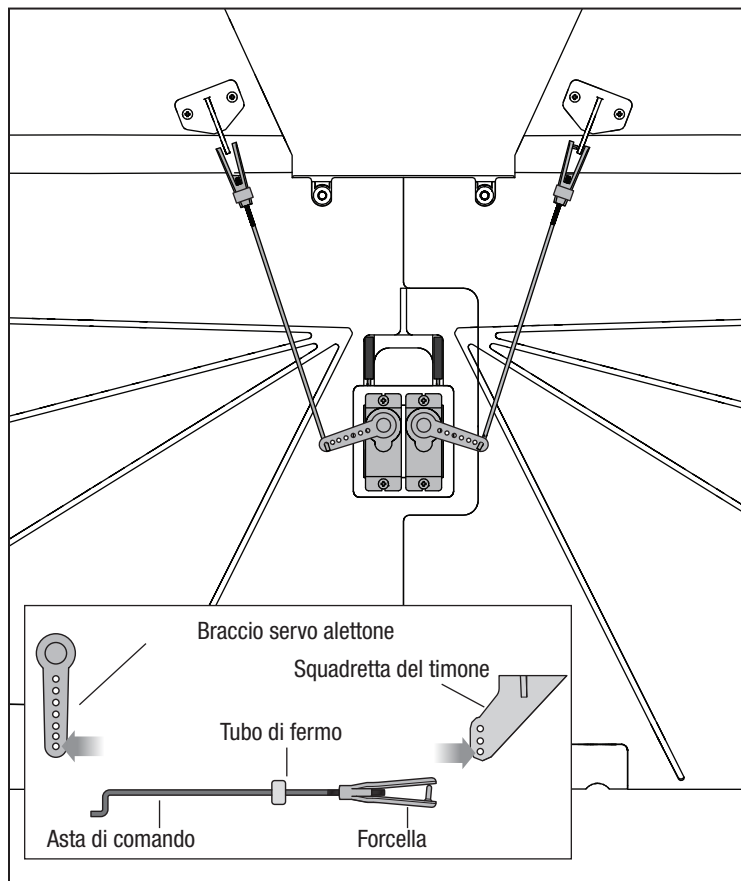
Questa sezione è in linea di massima accurata, ma non tiene conto della velocità di volo, dello stato di carica della batteria e di molti altri fattori limitanti.

3 Secondi



## Configurazione opzionale alettoni a due servo

1. Rimuovere l'ala dall'aereo.
2. Rimuovere la vite del braccio del servo e il braccio del servo installato.
3. Rimuovere il braccio del servo dalla curva a z di ciascuna asta.
4. Rimuovere le 2 viti che fissano il servo all'ala.
5. Riposizionare il servo a sinistra della tasca dei servo, allineandolo con i fori delle viti della posizione sinistra.
6. Far uscire il filo del servo e il connettore dalla tasca del servo e fissare il servo con le 2 viti.
7. Installare il secondo servo (SPMSA345SL, non incluso) nella posizione del servo a destra nella tasca dei servo.
8. Inserire la spina e il connettore del servo nel canale destro uscendo dalla tasca del servo, allineare le viti ai fori e fissarle in posizione.
9. Collegare il servo destro al canale 2 e il servo sinistro al canale 6 del ricevitore.
10. Nella configurazione di sistema della trasmittente, impostare il "tipo aereo" su "alettoni doppi".
11. Collegare una batteria all'aereo e accenderlo per centrare i servo.
12. Collegare la curva a zeta dei leveraggi di comando al foro più esterno della nuova squadretta del servo (EFL0370, necessaria e non inclusa). Ripetere l'operazione per l'altra squadretta.
13. Montare la squadretta del servo con un angolo quanto più vicino possibile ai 90° e fissarla con una vite.
14. Installare l'estremità della forcella del nuovo leveraggio al secondo foro più esterno della squadretta di controllo dell'alettone.
15. Assicurarsi che le superfici di controllo dell'alettone siano centrate; se necessario, regolare meccanicamente l'asta di comando per centrare l'alettone.
16. Montare l'ala sulla fusoliera.



### Impostazione di trasmettenti computerizzate

Iniziare la programmazione della trasmittente con un modello ACRO non configurato (eseguire il reset del modello), quindi assegnare un nome al modello.

	Int. a 2 posizioni	Int. a 3 posizioni
Imp. i Dual Rate	HIGH 100%	HIGH 100%
	LOW 70%	MID 70%
		LOW 50%
Imp. corsa servo	100%	
Imp. taglio gas	-100%	

DX6e † DX6 † (Gen2) DX7 † (Gen2) NX6 † DX8e DX8 (Gen2) DX9 DX10t DX18 DX20	1. Andare in SYSTEM SETUP (IMP. SISTEMA) (Model Utilities (Gestione modelli)) †
iX12 † iX20 † NX6 NX8 NX10	2. Impostare MODEL TYPE (TIPO MODELLO): AIRPLANE (AEROPILANO)
	3. Impostare AIRCRAFT TYPE (TIPO AEROMODELLO): (Model Setup, Aircraft Type (Imp. modello, Tipo aeromodello)) †: WING (ALA): Doppio alettone



## Dopo il volo

1. Scollegare la batteria di bordo dall'ESC (precauzione di sicurezza e a tutela della durata della batteria).
2. Spegnerne la trasmittente.
3. Rimuovere la batteria di bordo dall'aeromodello.
4. Riparare o sostituire le parti eventualmente danneggiate.

5. Conservare la batteria di bordo separata dall'aeromodello e tenerne sotto controllo la carica.
6. Prendere nota delle condizioni e dei risultati del volo, per pianificare i voli futuri.

## Manutenzione del motore

**ATTENZIONE:** scollegare sempre la batteria di volo prima di procedere alla manutenzione del motore.

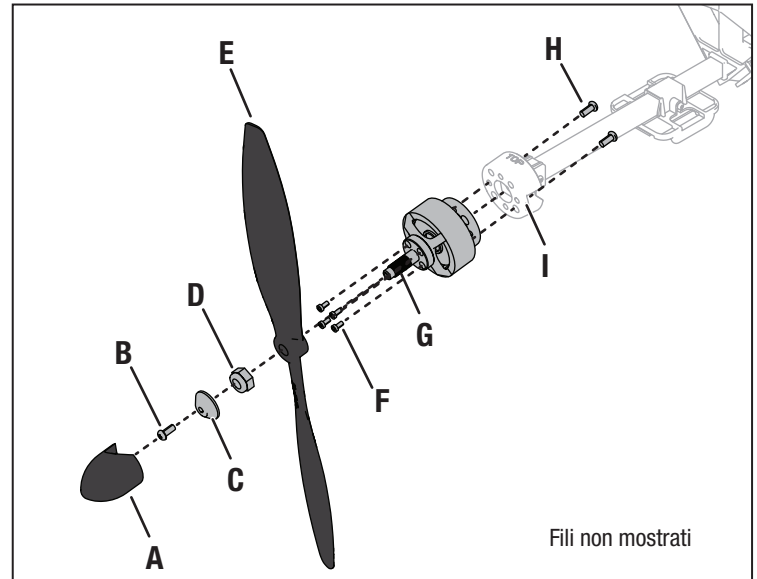
### Smontaggio

1. Rimuovere ogiva (A), vite (B), fermo dell'ogiva (C), dado dell'elica (D) ed elica (E).
2. Rimuovere le 4 viti (F) dall'albero dell'elica (G).
3. Rimuovere l'albero dell'elica dall'albero motore.
4. Rimuovere le 2 viti (H) dal supporto motore (I) e dalla fusoliera.
5. Scollegare i fili del motore dai fili dell'ESC.

### Montaggio

Montare in ordine inverso.

- Allineare e collegare i fili del motore con i fili dell'ESC rispettando la corrispondenza dei colori.
- Installare l'elica con i numeri indicanti la misura (11 x 5,5) rivolti in avanti.
- Serrare il dado dell'elica con una chiave da 10 mm.
- Spingere l'ogiva di gomma sul fermo in plastica dell'ogiva.



## Manutenzione dei servo

Superficie di controllo	Servo di ricambio	Descrizione
Alettone	SPMSA345SL	A345SL servo sub-micro 9 g
Equilibratore		
Timone		

## Guida alla risoluzione dei problemi con l'AS3X

Problema	Possibile causa	Soluzione
Oscillazioni	Ogiva o elica danneggiate	Sostituire l'ogiva o l'elica
	Elica non bilanciata	Bilanciare l'elica. Per maggiori informazioni si veda il video su <a href="http://www.horizonhobby.com">www.horizonhobby.com</a>
	Motore con vibrazioni	Sostituire le parti interessate o allineare tutte le parti stringendo gli elementi di fissaggio secondo necessità.
	Ricevente allentata	Allineare e fissare la ricevente alla fusoliera
	Controlli dell'aereo allentati	Stringere o fissare in altro modo le varie parti (servi, bracci, rinvi, squadrette e superfici di comando)
	Parti usurate	Sostituire le parti usurate (specialmente elica, ogiva o servi)
	Movimenti irregolari dei servi	Sostituire i servi interessati
Prestazioni di volo incostanti	I trim non sono al centro	Se si regola il trim di più di 8 scatti, regolare allentando la vite nel fermo dell'asta di comando sul servo e spostare l'asta, poi serrare nuovamente la vite.
	I sub-trim non sono centrati	I sub-trim non sono ammessi. Bisogna regolare meccanicamente i rinvi
	L'aereo non è rimasto immobile per 5 secondi dopo aver collegato la batteria	Portare lo stick motore completamente in basso. Scollegare la batteria, poi ricollegarla e mantenere l'aereo fermo per 5 secondi
Dalla verifica della direzione dei controlli dell'AS3X risulta che sono sbagliati	Impostazione della direzione sbagliata sulla ricevente che potrebbe anche causare un incidente	NON volare. Contattare il supporto prodotti per una soluzione.

## Guida alla risoluzione dei problemi

Problema	Possibile causa	Soluzione
L'aereo non risponde al comando motore mentre risponde agli altri comandi	Motore non al minimo e/o trim motore troppo alto	Ripristinare i controlli con lo stick motore e il suo trim completamente in basso
	La corsa del servo motore è inferiore al 100%	Accertarsi che la corsa del servo motore sia almeno al 100% o maggiore
	Il canale del motore è invertito	Invertire il canale motore sulla trasmittente
	Motore scollegato dall'ESC	Verificare che il motore sia collegato all'ESC
Eccessivo rumore dell'elica o vibrazioni	Elica, ogiva, adattatore o motore danneggiati	Sostituire le parti danneggiate
	L'elica è sbilanciata	Bilanciare o sostituire l'elica
	Il dado dell'elica è allentato	Stringere il dado dell'elica
Tempo di volo ridotto o aereo sottopotenziato	La batteria di bordo è quasi scarica	Ricaricare completamente la batteria di bordo
	Elica installata al contrario	Installare l'elica con i numeri rivolti in avanti
	Batteria di bordo danneggiata	Sostituire la batteria di bordo seguendo le istruzioni
	La temperatura ambientale potrebbe essere troppo bassa	Accertarsi che la batteria sia calda prima dell'uso
	La capacità della batteria troppo bassa per le condizioni di volo	Sostituire la batteria o usarne una con capacità maggiore
L'aereo non si connette alla trasmittente (durante la connessione)	Trasmittente troppo vicina all'aereo durante la procedura di connessione	Allontanare la trasmittente dall'aereo, scollegare e ricollegare la batteria all'aereo
	Aereo o trasmittente troppo vicini a grossi oggetti metallici, sorgenti wifi o altre trasmissioni	Spostarsi in un'altra posizione e ritentare la connessione
	Il Bind Plug non è collegato correttamente alla sua presa sulla ricevente	Inserire il Bind Plug nella sua presa e connettere l'aereo alla trasmittente
	La batteria di bordo e/o quella della trasmittente sono quasi scariche	Sostituire/ricaricare le batterie
L'aereo non si connette alla trasmittente (dopo la connessione)	Il comando di Bind sulla trasmittente non mantenuto premuto abbastanza a lungo durante la procedura di connessione	Spegnere la trasmittente e ripetere la procedura di connessione mantenendo premuto il comando di Bind finché la ricevente non è connessa
	Trasmittente troppo vicina all'aereo durante la procedura di connessione	Allontanare la trasmittente dall'aereo, scollegare e ricollegare la batteria all'aereo
	Aereo o trasmittente troppo vicini a grossi oggetti metallici, sorgenti wifi o altre trasmissioni	Spostarsi in un'altra posizione e ritentare la connessione
	Bind Plug rimasto inserito nella sua presa sulla ricevente	Rifare la connessione tra aereo e trasmittente togliendo il Bind Plug prima di spegnere e riaccendere
	Aereo connesso con una differente memoria di modello (solo con radio Modelmatch)	Scegliere il modello corretto sulla trasmittente
	La batteria di bordo e/o quella della trasmittente sono quasi scariche	Sostituire/ricaricare le batterie
Le superfici di controllo non si muovono	La trasmittente potrebbe essere connessa ad un aereo diverso con un protocollo DSM differente	Connettere l'aereo alla sua trasmittente
	Superficie di controllo, squadretta, rinvio o servo danneggiati	Riparare o sostituire le parti danneggiate regolando i comandi
	Fili danneggiati o collegamenti allentati	Verificare i cablaggi e i collegamenti, collegare o sostituire secondo necessità
	La trasmittente non è connessa correttamente o è stato scelto l'aereo sbagliato	Rifare la connessione o scegliere l'aereo corretto sulla trasmittente
	Batteria di bordo scarica	Ricaricare la batteria interessata
Comandi invertiti	BEC (circuito che alimenta l'impianto ricevente) dell'ESC danneggiato	Sostituire l'ESC
	Le impostazioni sulla trasmittente sono invertite	Eseguire una verifica sulla direzione dei comandi e apportare le opportune modifiche
Il motore pulsa perdendo potenza	Si è attivata la funzione LVC dell'ESC	Ricaricare la batteria o sostituirla se non più performante
	La temperatura ambientale potrebbe essere troppo bassa	Rimandare il volo aspettando che la temperatura si alzi
	La batteria è vecchia o danneggiata	Sostituire la batteria
	La batteria non è in grado di fornire la corrente necessaria	Usare il tipo di batteria consigliato

## Parti di ricambio

Parte #	Descrizione
EFL0351	Ala destra: Slow Ultra Stick
EFL0352	Ala sinistra: Slow Ultra Stick
EFL0353	Giunto ala: Slow Ultra Stick
EFL0354	Tube ala: Slow Ultra Stick
EFL0355	Set viti zigrinate: Slow Ultra Stick
EFL0356	Supporto ala anteriore: Slow Ultra Stick
EFL0357	Supporto ala posteriore: Slow Ultra Stick
EFL0358	Vassoio di montaggio: Slow Ultra Stick
EFL0359	Supporto motore: Slow Ultra Stick
EFL0360	Ogiva in gomma: Slow Ultra Stick
EFL0361	Adattatore elica: Slow Ultra Stick
EFL0362	Set carrello atterraggio: Slow Ultra Stick
EFL0363	Set squadrette comando: Slow Ultra Stick
EFL0364	Set leveraggi comando: Slow Ultra Stick
EFL0365	Set tratt filo: Slow Ultra Stick
EFL0366	Fusoliera: Slow Ultra Stick
EFL0367	Giunzione fusoliera: Slow Ultra Stick
EFL0368	Stab verticale: Slow Ultra Stick
EFL0369	Stab orizzontale: Slow Ultra Stick
EFL0370	Set bracci servo: Slow Ultra Stick
EFL0371	Decalcomanie: Slow Ultra Stick
EFL0372	Kit bulloneria: Slow Ultra Stick
EFLP1155	Elica: 11 x 5,5
SPMSA345SL	A345SL servo sub-micro 9 g, cavo 60 mm SX
SPMXAE30D	Smart ESC Avian 30 A Brushless
SPMXAM2800	Motore Brushless: 3513-1100 Kv
SPMAR630	AR630 DSMX AS3X a 6 canali e ricevitore SAFE

## Parti consigliate

Parte #	Descrizione
SPMR6655	DX6e 6 canali solo trasmittente
SPMX133S30	1300 mAh 3S 11,1 V Smart G2 30C;
SPMXC2050	Caricabatterie Smart S155 G2 AC 1x55 W

## Parti opzionali

Parte #	Descrizione
SPMR8105	NX8e 8 canali solo trasmittente
SPMR6775	NX6 6 CH solo trasmittente
SPMR8200	NX8 8 CH solo trasmittente
SPMXC2080	Caricabatterie Smart S1100 G2 CA, 1x100 W
SPMX22003S30	2200 mAh 3S 11,1 V Smart 30C; IC3
SPMX223S30	2200 mAh 3S 11,1 V Smart G2 30C
APC11055E	Elica elettrica, 11 x 5.5E
SPMSA345SL	A345 servo digitale sub-micro 9 g, cavo 60 mm
EFL0370	Set bracci servo: Slow Ultra Stick

## Bulloneria

Quantità	Posizione	Descrizione
4	Vite M3 x 6 mm	Per fissare il motore al suo supporto
1	Vite M2 x 6 mm	Per fissare il supporto dell'ESC alla fusoliera
1	Vite zigrinata M3 x 22 mm	Per fissare lo stabilizzatore orizzontale alla fusoliera
3	Vite autofilettante 2,3 x 4,5 mm	Per fissare il braccio al servo
4	Vite autofilettante 2 x 8 mm	Per fissare la squadretta alla superficie di controllo
2	Vite zigrinata M3 x 22 mm	Per fissare l'ala alla fusoliera
1	Vite M3 x 6 mm	Per fissare la rondella di fissaggio dell'ogiva
1	Dado vite elica M6	Per fissare l'elica all'albero
4	Vite M2 x 7 mm	Per fissare motore l'adattatore dell'elica al motore
1	Vite M2 x 14 mm	Per fissare il supporto motore alla fusoliera
1	Vite M2 x 14 mm	Per fissare il supporto batteria alla fusoliera
1	Vite M2 x 14 mm	Per fissare il supporto ala anteriore alla fusoliera
1	Vite M2 x 14 mm	Per fissare il supporto ala posteriore alla fusoliera
1	Vite M2 x 6 mm	Per fissare il supporto del ricevitore alla fusoliera
6	Vite autofilettante 2 x 8 mm	Per fissare i servo alla fusoliera
4	Vite M2 x 14 mm	Per fissare le due metà della fusoliera insieme
1	12.8mm x 500mm	Tube ala
2	Diametro 85 mm, Larghezza 17 mm, Asse 3 mm	Carrello principale
1	Diametro 21mm, Larghezza 7mm, Asse 1,3mm	Ruotino di coda

## Garanzia

### Periodo di garanzia

Garanzia esclusiva - Horizon Hobby, LLC (Horizon) garantisce che il prodotto acquistato (il "Prodotto") sarà privo di difetti relativi ai materiali e di eventuali errori di montaggio alla data di acquisto. Il periodo di garanzia è conforme alle disposizioni legali del paese nel quale il prodotto è stato acquistato. Tale periodo di garanzia ammonta a 6 mesi e si estende ad altri 18 mesi dopo tale termine.

### Limiti della garanzia

- (a) La garanzia è limitata all'acquirente originale (Acquirente) e non è cedibile a terzi. L'acquirente ha il diritto a far riparare o a far sostituire la merce durante il periodo di questa garanzia. La garanzia copre solo quei prodotti acquistati presso un rivenditore autorizzato Horizon. Altre transazioni di terze parti non sono coperte da questa garanzia. La prova di acquisto è necessaria per far valere il diritto di garanzia. Inoltre, Horizon si riserva il diritto di cambiare o modificare i termini di questa garanzia senza alcun preavviso e di escludere tutte le altre garanzie già esistenti.
- (b) Horizon non si assume alcuna garanzia per la disponibilità del prodotto, per l'adeguatezza o l'idoneità del prodotto a particolari previsti dall'utente. È sola responsabilità dell'acquirente il fatto di verificare se il prodotto è adatto agli scopi da lui previsti.
- (c) Richiesta dell'acquirente – spetta soltanto a Horizon, a propria discrezione riparare o sostituire qualsiasi prodotto considerato difettoso e che rientra nei termini di garanzia. Queste sono le uniche rinvalse a cui l'acquirente si può appellare, se un prodotto è difettoso.

Horizon si riserva il diritto di controllare qualsiasi componente utilizzato che viene coinvolto nella rinvalse di garanzia. Le decisioni relative alla sostituzione o alla riparazione sono a discrezione di Horizon. Questa garanzia non copre dei danni superficiali o danni per cause di forza maggiore, uso errato del prodotto, un utilizzo che viola qualsiasi legge, regolamentazione o disposizione applicabile, negligenza, uso ai fini commerciali, o una qualsiasi modifica a qualsiasi parte del prodotto. Questa garanzia non copre danni dovuti ad un'installazione errata, ad un funzionamento errato, ad una manutenzione o un tentativo di riparazione non idonei a cura di soggetti diversi da Horizon. La restituzione del prodotto a cura dell'acquirente, o da un suo rappresentante, deve essere approvata per iscritto dalla Horizon.

### Limiti di danno

Horizon non si riterrà responsabile per danni speciali, diretti, indiretti o consequenziali; perdita di profitto o di produzione; perdita commerciale connessa al prodotto, indipendentemente dal fatto che la richiesta si basa su un contratto o sulla garanzia. Inoltre la responsabilità di Horizon non supera mai in nessun caso il prezzo di acquisto del prodotto per il quale si chiede la responsabilità. Horizon non ha alcun controllo sul montaggio, sull'utilizzo o sulla manutenzione del prodotto o di combinazioni di vari prodotti. Quindi Horizon non accetta nessuna responsabilità per danni o lesioni derivanti da tali circostanze. Con l'utilizzo e il montaggio del prodotto l'utente acconsente a tutte le condizioni, limitazioni e riserve di garanzia citate in questa sede. Qualora l'utente non fosse pronto ad assumersi tale responsabilità associata all'uso del prodotto, si suggerisce di restituire il prodotto intatto, mai usato e immediatamente presso il venditore.

### Indicazioni di sicurezza

Questo è un prodotto sofisticato di hobbistica e non è un giocattolo. Esso deve essere manipolato con cautela, con giudizio e richiede delle conoscenze basilari di meccanica e delle facoltà mentali di base. Se il prodotto non verrà manipolato in maniera sicura e responsabile potrebbero risultare delle lesioni, dei gravi danni a persone, al prodotto o all'ambiente circostante. Questo prodotto non è concepito per essere usato dai bambini senza una diretta supervisione di un adulto. Il manuale del prodotto contiene le istruzioni di sicurezza, di funzionamento e di manutenzione del prodotto stesso. È fondamentale leggere e seguire tutte le istruzioni e le avvertenze nel manuale prima di mettere in funzione il prodotto. Solo così si eviterà un utilizzo errato e si preverranno incidenti, lesioni o danni.

### Domande, assistenza e riparazioni

Il vostro negozio locale e/o luogo di acquisto non possono fornire garanzie di assistenza o riparazione senza previo colloquio con Horizon. Questo vale anche per le riparazioni in garanzia. Quindi in tale caso bisogna interpellare un rivenditore, che si metterà in contatto subito con Horizon per prendere una decisione che vi possa aiutare nel più breve tempo possibile.

### Manutenzione e riparazione

Se il prodotto deve essere ispezionato o riparato, si prega di rivolgersi ad un rivenditore specializzato o direttamente ad Horizon. Il prodotto deve essere imballato con cura. Bisogna far notare che i box originali solitamente non sono adatti per effettuare una spedizione senza subire alcun danno. Bisogna effettuare una spedizione via corriere che fornisce una tracciabilità e un'assicurazione, in quanto Horizon non si assume alcuna responsabilità in relazione alla spedizione del prodotto. Inserire il prodotto in una busta assieme ad una descrizione dettagliata degli errori e ad una lista di tutti i singoli componenti spediti. Inoltre abbiamo bisogno di un indirizzo completo, di un numero di telefono per chiedere ulteriori domande e di un indirizzo e-mail.

### Garanzia e riparazione

Le richieste in garanzia verranno elaborate solo se è presente una prova d'acquisto in originale proveniente da un rivenditore specializzato autorizzato, nella quale è ben visibile la data di acquisto. Se la garanzia viene confermata, allora il prodotto verrà riparato o sostituito. Questa decisione spetta esclusivamente a Horizon Hobby.

### Riparazioni a pagamento

Se bisogna effettuare una riparazione a pagamento, effettueremo un preventivo che verrà inoltrato al vostro rivenditore. La riparazione verrà effettuata dopo l'autorizzazione da parte del vostro rivenditore. La somma per la riparazione dovrà essere pagata al vostro rivenditore. Le riparazioni a pagamento avranno un costo minimo di 30 minuti di lavoro e in fattura includeranno le spese di restituzione. Qualsiasi riparazione non pagata e non richiesta entro 90 giorni verrà considerata abbandonata e verrà gestita di conseguenza.

**ATTENZIONE:** Le riparazioni a pagamento sono disponibili solo sull'elettronica e sui motori. Le riparazioni a livello meccanico, soprattutto per gli elicotteri e le vetture RC, sono molto costose e devono essere effettuate autonomamente dall'acquirente.

## Garanzia e Assistenza - Informazioni per i contatti

Stato di acquisto	Horizon Hobby	Telefono/Indirizzo e-mail	Indirizzo
Unione Europea	Horizon Technischer Service Sales: Horizon Hobby GmbH	service@horizonhobby.de +49 (0) 4121 2655 100	Hanskampring 9 D 22885 Barsbüttel, Germany

## Dichiarazione di conformità per l'Unione europea

**CE** **Dichiarazione di conformità UE:**  
**EFL Slow Ultra Stick Manual 1.2M BNF Basic (EFL0350)** Con la presente, Horizon Hobby, LLC dichiara che il dispositivo è conforme a quanto segue: Direttiva europea sulla compatibilità elettromagnetica (EMC) 2014/30/UE, Direttiva RoHS 2 2011/65 / UE, Direttiva RoHS 3 -Modifica 2011/65 / UE allegato II 2015/863

Il testo completo della dichiarazione di conformità UE è disponibile al seguente indirizzo internet: <https://www.horizonhobby.com/content/support/rendercompliance>.

**Range di frequenze wireless e potenza di uscita wireless:**

2402-2478MHz  
4.65dBm

**AVVISO RAEE:**



Questo dispositivo è marcato ai sensi della Direttiva europea 2012/19/UE riguardante i rifiuti di apparecchiature elettriche ed elettroniche (RAEE). Il simbolo indica che il prodotto non va smaltito insieme ai rifiuti domestici. Il prodotto deve essere consegnato agli appositi centri di raccolta per consentirne il recupero e il riciclaggio..

**Fabbricante registrato UE:**

Horizon Hobby, LLC  
2904 Research Road  
Champaign, IL 61822 USA

**Importatore registrato UE:**

Horizon Hobby, GmbH  
Hanskampring 9  
22885 Barsbüttel Germany

Australia/New Zealand:







©2022 Horizon Hobby, LLC.

E-flite, Plug-N-Play, Bind-N-Fly, BNF, the BNF logo, DSM, DSM2, DSMX, Spektrum AirWare, EC3, IC3, AS3X, SAFE, the SAFE logo, ModelMatch, and the Horizon Hobby logo are trademarks or registered trademarks of Horizon Hobby, LLC.

The Spektrum trademark is used with permission of Bachmann Industries, Inc. All other trademarks, service marks and logos are property of their respective owners.

US 8,672,726 US 9,056,667 US 9,753,457. US 10,078,329. US 9,930,567. US 10,419,970. Other patents pending.

<http://www.horizonhobby.com/>