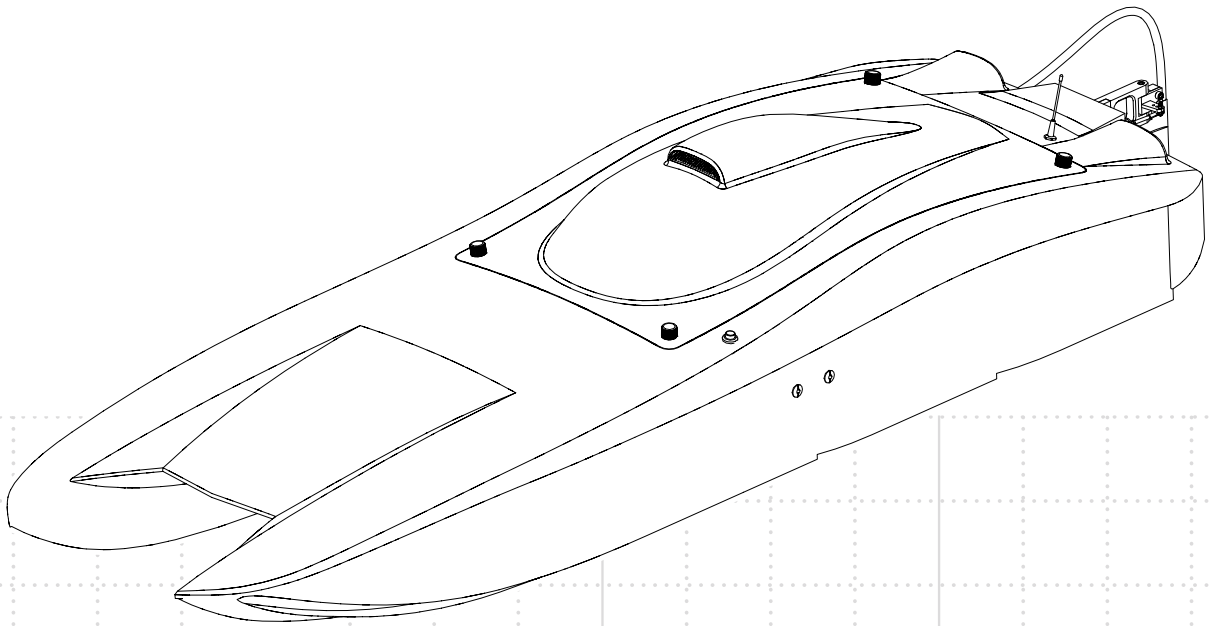


ZELOS[™]_{48G}

48-INCH GAS CATAMARAN

**Owners Manual • Bedienungsanleitung •
Manuel de l'Utilisateur • Manuale utente**

PRB09004



NOTICE

All instructions, warranties and other collateral documents are subject to change at the sole discretion of Horizon Hobby, LLC. For up-to-date product literature, visit <http://www.horizonhobby.com> and click on the support tab for this product.

Meaning of Special Language

The following terms are used throughout the product literature to indicate various levels of potential harm when operating this product:

NOTICE: Procedures, which if not properly followed, create a possibility of physical property damage AND little or no possibility of injury.

CAUTION: Procedures, which if not properly followed, create the probability of physical property damage AND a possibility of serious injury.

WARNING: Procedures, which if not properly followed, create the probability of property damage, collateral damage, and serious injury OR create a high probability of superficial injury.



WARNING: Read the ENTIRE instruction manual to become familiar with the features of the product before operating. Failure to operate the product correctly can result in damage to the product, personal property and cause serious injury.

Age Recommendation: Not for children under 14 years. This is not a toy.

This is a sophisticated hobby product and NOT a toy. It must be operated with caution and common sense and requires some basic mechanical ability. Failure to operate this Product in a safe and responsible manner could result in injury or damage to the product or other property. This product is not intended for use by children without direct adult supervision. Do not use with incompatible components or alter this product in any way outside of the instructions provided by Horizon Hobby, LLC. This manual contains instructions for safety, operation and maintenance. It is essential to read and follow all the instructions and warnings in the manual, prior to assembly, setup or use, in order to operate correctly and avoid damage or serious injury.

Safety Precautions and Warnings

As the user of this product, you are solely responsible for operating in a manner that does not endanger yourself and others or result in damage to the product or the property of others.

- When handling and/or transporting your boat, always pick up the boat from the front, keeping all moving parts pointed away from you.
- Always keep a safe distance in all directions around your model to avoid collisions or injury. This model is controlled by a radio signal subject to interference from many sources outside your control. Interference can cause momentary loss of control.
- Always operate your model in open spaces away from full-size vehicles, traffic and people.
- Always carefully follow the directions and warnings for this and any optional support equipment (chargers, rechargeable battery packs, etc.).
- Always keep all chemicals, small parts and anything electrical out of the reach of children.
- Always avoid water exposure to all equipment not specifically designed and protected for this purpose. Moisture causes damage to unprotected electronics.
- Never place any portion of the model in your mouth as it could cause serious injury or even death.
- Never operate your model with low transmitter batteries.

Please read this manual for operation and maintenance instructions.

Register your boat online at www.proboatmodels.com.

Recommended Tools and Materials

- Sealable Gasoline Container
- High Performance 2-Cycle Oil (DYNE4100)
- Gasoline (87–92 Octane)
- 4 AA batteries for the transmitter
- 3-in-1 Tuning Screwdriver (DYN3048)
- #1 Phillips Screwdriver (DYN2828)
- Small Crescent Wrench
- Open-end wrench: 8mm
- Open-end wrench: 10mm
- 1.5mm Hex Wrench
- 2mm Hex Wrench
- 2.5mm Hex Wrench
- 4mm Hex Wrench
- 3mm Hex Driver (Part #)
- Ball link pliers (RV01005)
- Spark plug gap gauge
- Dynamite[®] Prophet™ Sport LiPo AC Balance Charger (DYNC2005CA)
- Threadlock (TLR76004)
- CA or Epoxy Glue
- Pro Boat[®] Marine Grease and Gun (DYNE4200)
- Clear tape (DYNM0102)
- Magnum Force 2™ Motor Spray (DYN5500)
- Bearing Oiler (DYNE0100)
- Car Wax
- Clean Towels

Product Inspection

Carefully remove the boat and radio transmitter from the box. Inspect the boat for damage.

If you find damage is present, please contact the retailer where you purchased your boat.

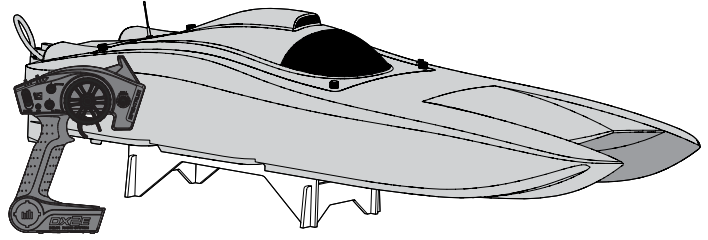
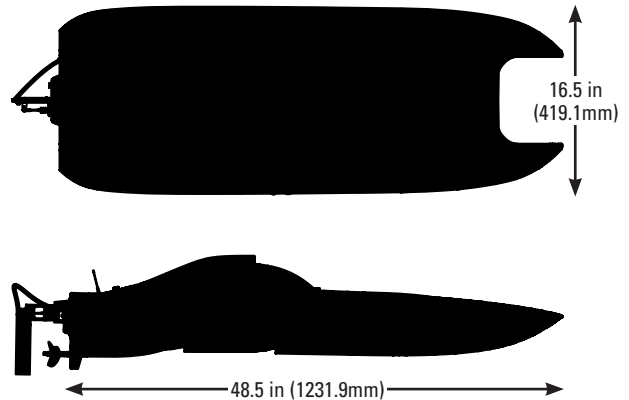


Table of Contents

Boat Stand Assembly	4
Canopy Removal.....	4
Propeller Installation	4
Rudder Installation.....	4
Auto Bailers	5
Testing and Servicing.....	5
Replacement.....	5
Charging the Receiver Battery.....	6
Receiver Battery Installation.....	6
Antenna Tube Installation.....	6
Spektrum DX2E Radio System.....	6
Transmitter Battery Installation	7
Binding	8
Failsafe.....	8
Control Check.....	8
Fuel Safety and Use Instructions.....	9
Fuel Mixing Precautions and Guidelines	9
Fueling the Boat	9
Vehicle Starting and Running.....	10
Breaking in the Engine	10
Boating Tips	11
Boat Characteristics.....	11
Adjusting Boat Trim.....	11
Stopping the Engine.....	12
When You Are Finished	12
After Boating.....	13
Steering Trim.....	13
Throttle Trim	13
Engine Tuning	14
Carburetor Factory Settings.....	14
Adjusting the High Speed Needle	14
Adjusting the Low Speed Needle	14
Idle Adjustment.....	14
Spark Plug Test.....	15
Flooded Engine.....	15
Maintenance.....	16
Clutch.....	16
Clutch Housing Bearing	16
Water Cooling System	16
Drivetrain Lubrication.....	17
Troubleshooting Guide.....	18
Engine Troubleshooting Guide	17
Warranty and Service Contact Information	20
FCC Information	21
IC Information.....	21
EU Compliance Statement.....	21
Replacement Parts	82
Recommended Parts.....	83
Optional Parts.....	83

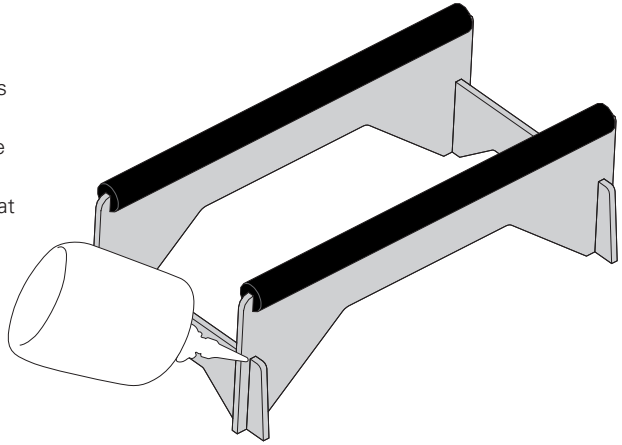
Specifications

Length	48.5 in (1231.9mm)
Beam (width)	16.5 in (419.1mm)
Weight	20.4 lb (9.2 kg)
Hull Material	Fiberglass
Engine	Dynamite® 30cc High-Performance Marine Engine (DYNE1005)
Transmitter	Spektrum™ DX2E 2.4GHz
Receiver	Spektrum™ MR4000 4-CH DSMR® Marine
Battery	Dynamite® 7.4V 3300mAh 2S 15C Li-Po with EC3™ connector



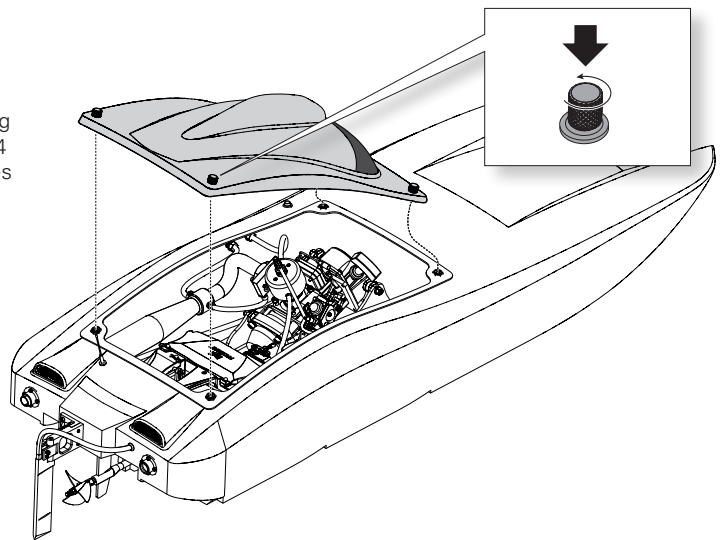
Boat Stand Assembly

1. Attach the side stand pieces to the end pieces as shown.
2. Use medium CA or epoxy adhesive to secure the side stand to the ends.
3. Allow the adhesive to dry before placing your boat on the stand.



Canopy Removal

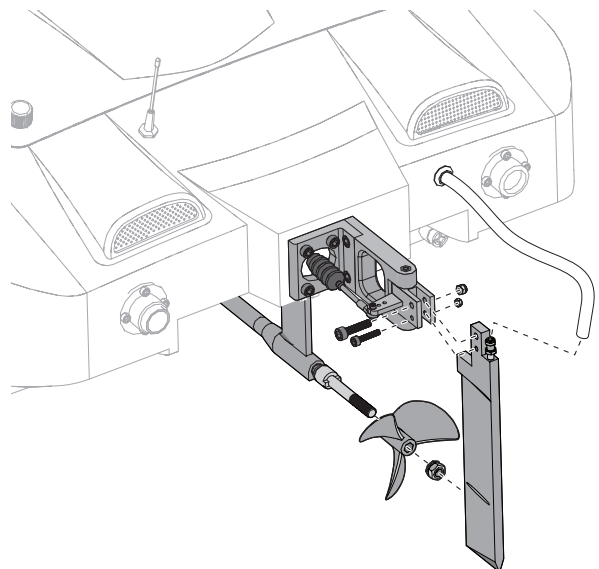
1. Loosen the 4 screws located at each corner of the canopy.
2. Remove the canopy from the hull starting with the 2 rear screws. Ensure that the 4 screws have disengaged from their bases before lifting the canopy carefully.



Propeller Installation

1. Correctly align the propeller with the drive dog on the prop shaft.
2. Tighten the nut on the prop shaft.
3. Disassemble in reverse order.

Tip: Propeller balancing can add several mph to top speed and reduce vibration. There are several different propeller balancing tools available. Read the instructions that accompany the propeller balancing tool, as removing material from the correct part of the propeller is crucial.



Rudder Installation

1. Install the rudder in the mount using 2 screws and 2 locknuts as shown.
2. Connect the tube from the back of the boat to the barbed fitting on the top of the rudder.

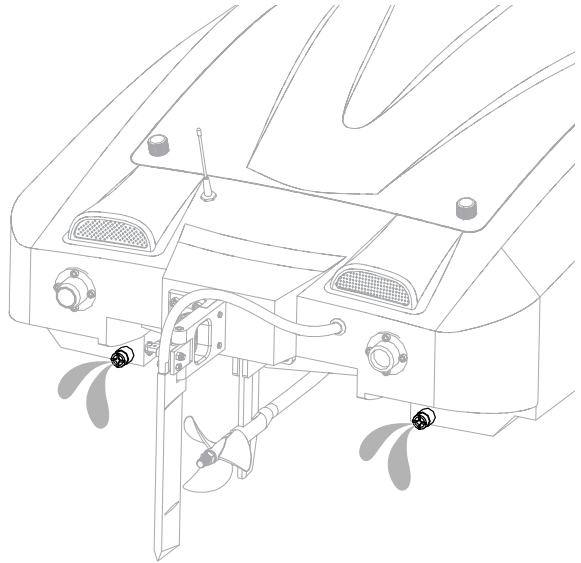
Auto Bailers

Your boat is equipped with two auto bailers. Each auto bailer works as a mechanical one-way valve.

Inside the auto bailer is a ball bearing and a rubber seal. The ball bearing is free to move when the bailer is not in contact with water, allowing water to exit the hull.

Once submerged, the pressure from the water presses the ball bearing against the rubber seal, preventing water from entering the hull.

1. Keep the inside of the hull clean and free of debris to ensure the auto bailers will work properly.
2. When you apply throttle and the boat is on plane, the auto bailers are out of the water. The boat's forward momentum drives the ball bearing back, opening the valve and allowing the water inside the the boat to exit the hull.
3. Once you remove the boat from from the water, tip the nose of the boat upwards and water in the hull will run from the auto bailers.



Testing and Servicing

Under normal use, it is not necessary to service the auto bailers often because there are no wearable parts. However, if you run your boat in salt water or in water with high chemical content, it may be necessary to inspect the components inside the auto bailers for wear. PRB286043 has the necessary parts to replace worn parts or replace the auto bailers completely.

1. Carefully unscrew the end of the auto bailer, taking care not to drop the aluminum ball bearing inside the auto bailer as you remove the cover.
2. Remove the ball bearing and inspect it for pitting. If the ball bearing doesn't look worn or pitted, you can reuse it.
3. Carefully remove the O-ring from inside the bailer housing. Use tweezers to remove the O-ring if you cannot reach it otherwise. **Do not use sharp tools to remove the O-ring or you may damage it or tear it.**
4. Inspect the O-ring for wear or tears. Replace it as necessary.
5. If the parts are not worn, reinstall them in reverse order.

NOTICE: Do not apply grease to the auto bailer O-ring. Doing so could prevent the ball bearing from moving freely inside the bailer housing.

NOTICE: Do not use thread locking fluid on the auto bailer housing cover. Doing so will prevent you from later servicing the bailer and could damage the bailer.

Replacement

1. Use a soldering iron to apply heat to the auto bailer. Place the soldering iron on the middle ring of the auto bailer while holding the bailer with a pair of pliers.
2. As the bailer heats up, lightly apply back and forth lateral pressure to the bailer. The bond between the bailer and the epoxy will weaken.



CAUTION: Applying too much force or too much heat can damage the hull.

3. Once the auto bailer is free, set it aside to cool and dispose of it accordingly.
4. Disassemble your new auto bailer and set the ball bearing and O-ring in a safe location. Use a nail file or medium emery cloth to remove the smooth finish around the neck of the bailer. The neck of the bailer inserts into the hull.
5. Apply a **minimal** amount of medium CA (DYNK0030) around the neck of the auto bailer.
6. Once the bailer has been inserted and glued, we recommend adding CA to the bailer from inside the hull. Take care not to run CA into the bailer housing. If it runs into the bailer housing, use a cotton swab lightly soaked in acetone to remove excess glue.
7. Allow the CA to dry overnight. Once it is dry, assemble the bailer by installing the O-ring, ball bearing, and bailer cap.

Charging the Receiver Battery

Instructions

Choose a charger designed to charge the included 7.4V 3300mAh 2S 15C LiPo. We recommend the Dynamite® Prophet™ Sport LiPo AC Balance Charger (DYNC2005CA). Refer to your charger manual for charging instructions and safety information.

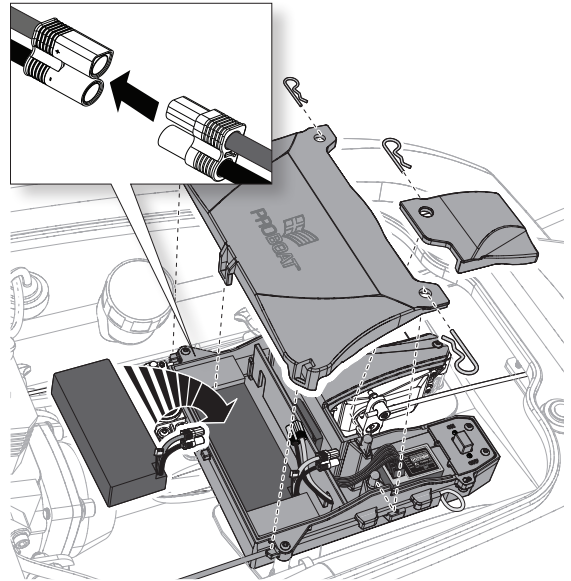
NOTICE: Never charge a battery in the boat or damage may result.

Receiver Battery Installation

1. Remove the 2 clips and lid from the battery compartment.
2. Install the battery in the battery compartment.
3. Connect the battery EC3™ connector to the ON/OFF switch.
4. Install the lid on the box and secure the lid using the clips.

IMPORTANT: After boating, always remove the battery before transporting or storing the boat.

CAUTION: Before boating, use a LiPo voltage checker (DYN4071) to check your battery charge. Failure to use a fully charged battery may result in a runaway boat, which could cause injury to people and property damage.

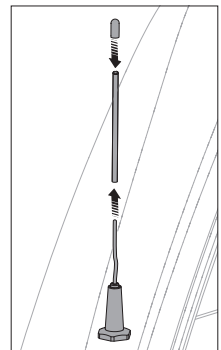


Antenna Tube Installation

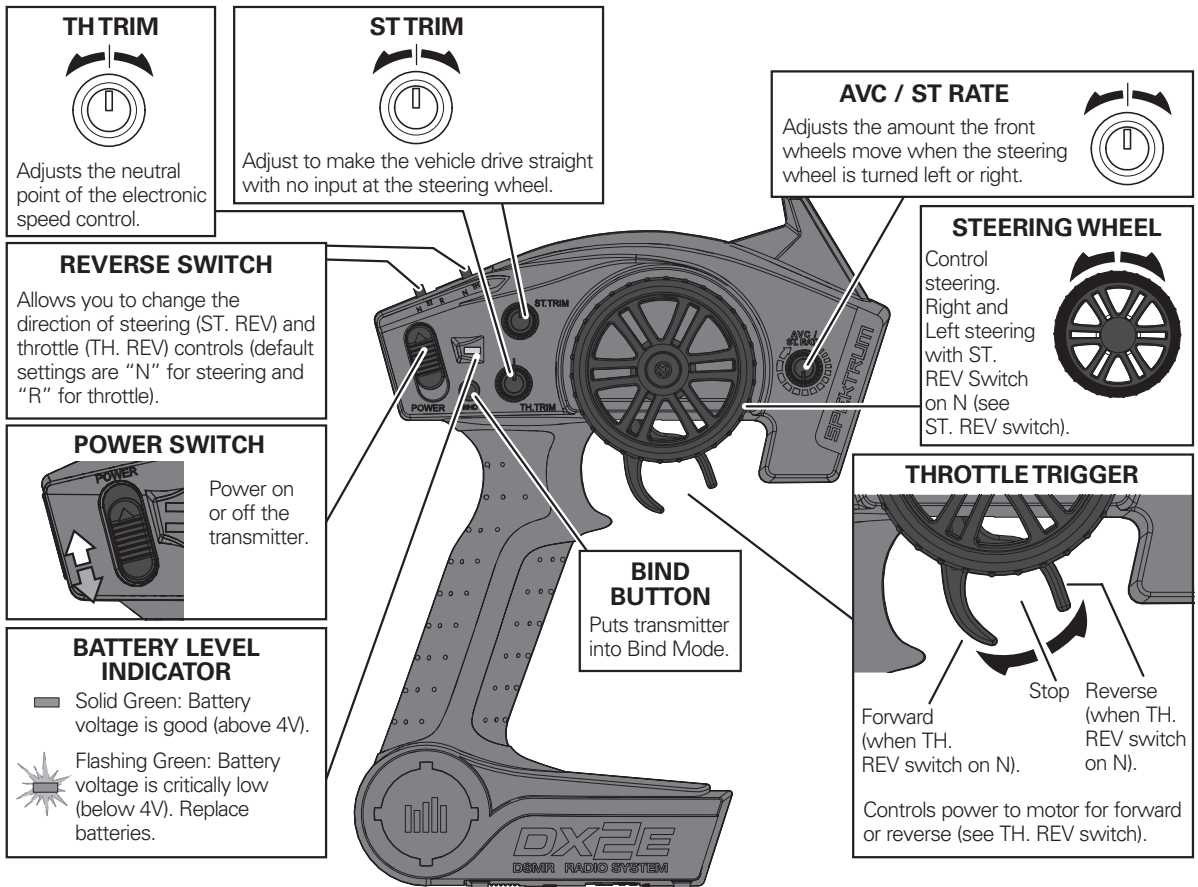
Install the receiver antenna in the tube as shown. Do not bend the end of the antenna over the antenna tube and place the cap over it. The antenna does not have to be outside of the tube to operate properly.

Keep the end of the antenna above the boat's waterline to get the best transmitter reception. Apply clear tape (DYNM0102) if desired.

NOTICE: Do not cut or kink the receiver antenna or damage may result.



Spektrum DX2E Radio System



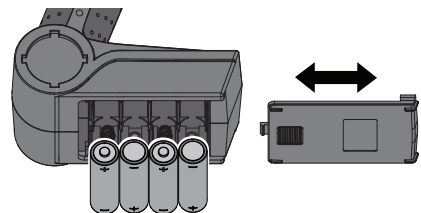
Transmitter Battery Installation

This transmitter requires 4 AA batteries.

1. Remove the battery cover from the transmitter.
2. Install the batteries as shown.
3. Install the battery cover.

CAUTION: If using rechargeable batteries, charge only rechargeable batteries. Charging non-rechargeable batteries may cause the batteries to burst, resulting in injury to persons and/or damage to property.

CAUTION: Risk of explosion if battery is replaced by an incorrect type. Dispose of used batteries according to national regulations.



Binding

The included transmitter and receiver are bound at the factory. If you need to rebind, follow the instructions below.

1. Ensure the transmitter and vehicle are both powered OFF.
2. Remove the radio box cover and install the bind plug in the BIND/battery port of the receiver. Power the receiver through any other port.
3. Power ON the vehicle. The receiver LED will blink green.
4. Stand approximately 8–12 feet (2.4–3.7m) from the vehicle. With the steering wheel and throttle trigger in the failsafe positions (neutral), press and hold the bind button and power ON the transmitter. The transmitter's green LED will blink after 3 seconds, indicating it is in bind mode.
5. Release the bind button when the green LED flashes. Continue holding failsafe positions until the binding process is complete.
6. The receiver LED will glow solid when the transmitter and receiver are bound.
7. Power OFF the vehicle, then the transmitter.
8. Remove the bind plug and store it in a convenient place.
9. Reinstall the radio box cover.

The receiver will keep the binding to the transmitter until another binding is done.

If you encounter problems, obey binding instructions and refer to the troubleshooting guide for other instructions. If needed, contact the appropriate Horizon Product Support office.

NOTICE: Do not attempt to bind the transmitter and receiver if there are other compatible transmitters in bind mode within 400 feet. Doing so may result in unexpected binding.

Failsafe

In the unlikely event that the radio connection is lost during use, the receiver will drive the servos to their pre programmed failsafe positions (normally no throttle and straight steering).

If the receiver is powered on before powering on the transmitter, the receiver will enter this failsafe mode. When the transmitter is powered on, normal control is resumed.

IMPORTANT: Failsafe activates only in the event that signal is lost from the transmitter. Failsafe will NOT activate in the event that receiver battery power decreases below the recommended minimums or power to the receiver is lost. We recommend checking your battery (DYN4071) before use.

Control Check

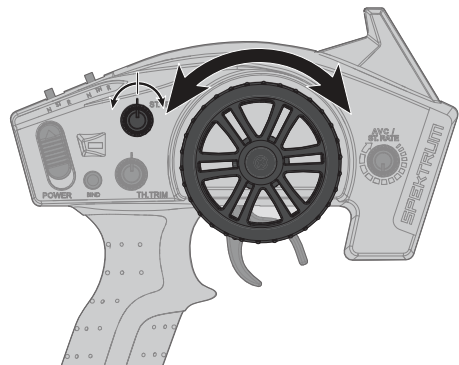
IMPORTANT: Perform a control check at the beginning of each boating session, after repair or after installation of new batteries.

Ensure the receiver antenna is extended properly and all batteries are fully charged.

1. Power ON the transmitter and the boat. **Do not install the boat canopy.**
2. Place the boat securely on the boat stand.

NOTICE: Do not operate the engine without water cooling circulation or damage may result.

3. Check steering and throttle on the transmitter.

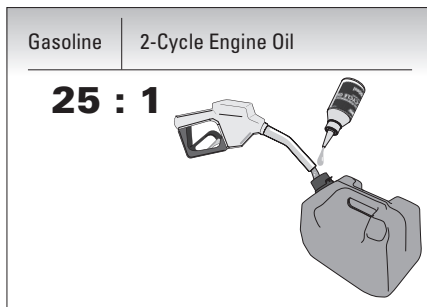


Fuel Safety and Use Instructions

- Always observe all warnings, precautionary statements and instructions supplied by the fuel manufacturer/provider.
- Fuel is a fire accelerant. Never operate your vehicle near open flames. Never smoke while operating your vehicle or while handling fuel.
- Always only use a mixture of gasoline and two-cycle oil for fuel. Do not use glow (nitro) fuel.
- Always use caution when handling gasoline.
- Always run your model engine in a well-ventilated area. Model engines produce harmful carbon monoxide fumes.
- Always drain your engine after you have finished running your vehicle. Do not store the vehicle with fuel in the gas tank.
- Never handle model engines and mufflers until they have had time to cool. They become extremely hot when in use.
- Always store your fuel in a safe place well away from sparks, heat or anything that can ignite.
- Always ensure that gasoline and fuel are stored in a clearly marked container well away from the reach of children.
- Always mix and store your fuel safely in a sealed, water-resistant container specifically made for gasoline.
- Always store fuel in a cool, dry location. Do not allow fuel containers to come in direct contact with concrete, as the fuel may absorb moisture.
- Always responsibly discard fuel if there is condensation and/or water inside the fuel container.
- Never allow fuel to come into contact with eyes or mouth. Gasoline and other fuels used in model engines are poisonous.
- Never return unused fuel from the fuel tank back into the fuel container.
- Contact your local waste disposal authorities for more information about discarding fuel waste responsibly.

Fuel Mixing Precautions and Guidelines

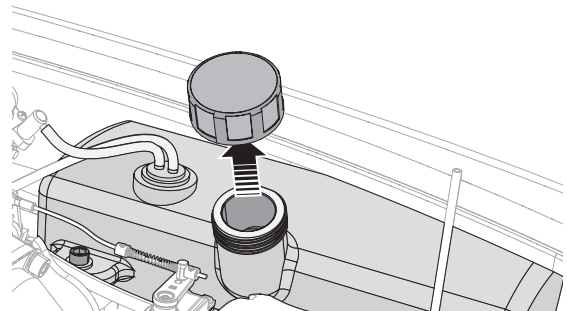
- Only use gasoline mixed with two-cycle engine oil.
- Only use pre-mix two-cycle engine oil. Do not use any other kind of oil.
- Always use 87–93 Octane AKI (US) and 92–98 Octane RON (Europe) gasoline.
- Always blend gasoline with two-cycle engine oil at a 25:1 ratio.
- Never use a 40:1 or 32:1 gas-oil ratio.
- Never use glow (nitro) fuel.



Gasoline	:	2-Cycle Engine Oil
1 gallon	:	5.1 fl oz
1/2 gallon	:	2.6 fl oz
1/4 gallon	:	1.3 fl oz
4 liters	:	160 ml
2 liters	:	80 ml
1 liter	:	40 ml

Fueling the Boat

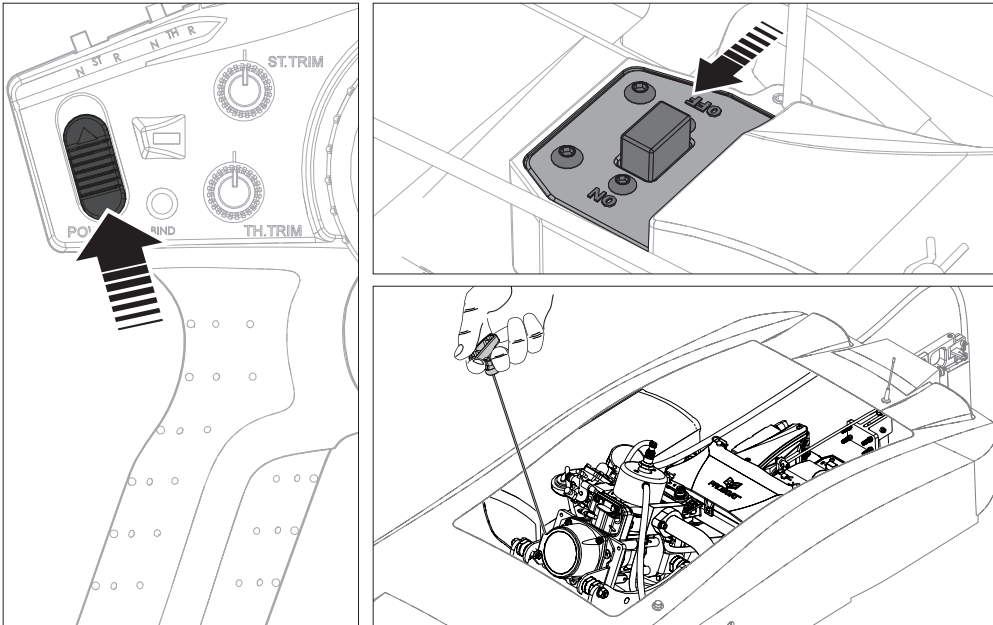
Remove the fuel tank cap and fill the fuel tank. Tighten the fuel tank cap securely back in place.



Vehicle Starting and Running

1. Remove the canopy.
2. Power on your transmitter, then power on the receiver.
3. Verify that there is fuel in the fuel line. Place your thumb over the carburetor and slowly pull the starter cord. You will immediately see fuel flow through the fuel line into the carburetor.
4. With the boat on a stand and the propeller unobstructed, pull the starter cord in a continuous motion to start the engine. The engine should start within 6 pulls.
5. Replace the canopy before placing the boat in the water.

CAUTION: Refer to the included engine owners manual before attempting to start the engine. Failure to follow all instructions can lead to damage to your vehicle, property damage and bodily injury.



CAUTION: Always keep all body parts, hair and dangling or loose items away from a spinning propeller, as these could become entangled.

Breaking in the Engine

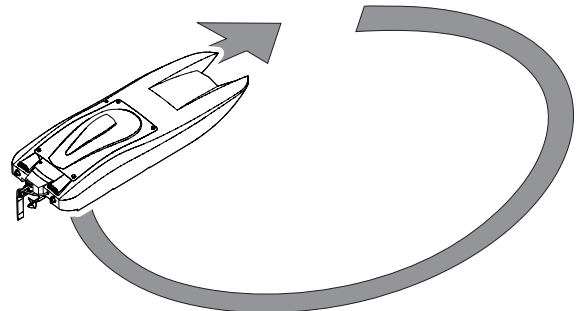
Break in the engine by running at slow RPM for 1/3 tank and mid RPM for the remainder of the tank. Ensure water is flowing out of the auto bailers.

NOTICE: Do not adjust carburetor settings during break-in. Doing so will cause engine damage or complete engine failure.

When the boat is moving forward, ensure water flows out of the coolant outlets. If water is not flowing out of the coolant outlets, apply a burst of throttle, not to exceed 1/2 throttle. This will force the boat up on plane, allowing water to flow through the cooling system. Reduce to 1/3 throttle after the boat is on plane and water is flowing out the water outlets. If the boat will not plane, return the boat to shore and remove any obstructions.

Water Blockage

If there is reduced water flow during consistent speed, return the boat to shore and inspect it for debris that may be blocking the rudder inlet or the hull water pick up.



Boating Tips

Avoid boating near other watercraft, stationary objects, waves, wakes and other rapidly moving water, wildlife, floating debris or overhanging trees. You should also be careful to avoid boating in areas where there are many people, such as swimming areas, park waterways or fishing areas. Consult local laws and ordinances before choosing a location to pilot your boat.

Maximum speeds are only achieved when the water conditions are smooth and there is little wind. A sharp turn, wind or waves can turn over a boat when it is moving quickly. Always pilot your boat for the wind and water conditions so that the boat does not turn over.

When running your boat for the first time, we recommend calm wind and water conditions so that you can learn how the boat responds to your control.

When making turns, decrease the throttle to reduce the probability of flipping the boat over.

Never operate your boat in less than 12 inches (30.5cm) of water.

If you need to retrieve your boat from the water, use fishing equipment or another boat.

NOTICE: When running at full speed in choppy water, the prop may exit and re-enter the water repeatedly and very quickly, subjecting the propeller and flex shaft to some stress. Frequent stress may damage the propeller and flex shaft.

CAUTION: Never operate your boat in extreme temperatures or turbulent water.

CAUTION: Never attempt to retrieve a downed boat by swimming.

Boat Characteristics

- Due to the boat's scale design, engine torque and aggressive propeller—which are key to providing speeds upwards of 50MPH—the boat will exhibit torque roll while at low engine RPM.
Torque roll is the effect of the propeller on the hull. You may notice that the boat turns to the right with less effort.
- When running the boat in a small pond, which requires you to make slow, tight turns, you may experience more pronounced torque roll. You may notice the right side of the transom digging into the water and the left side of the bow lifting out of the water.

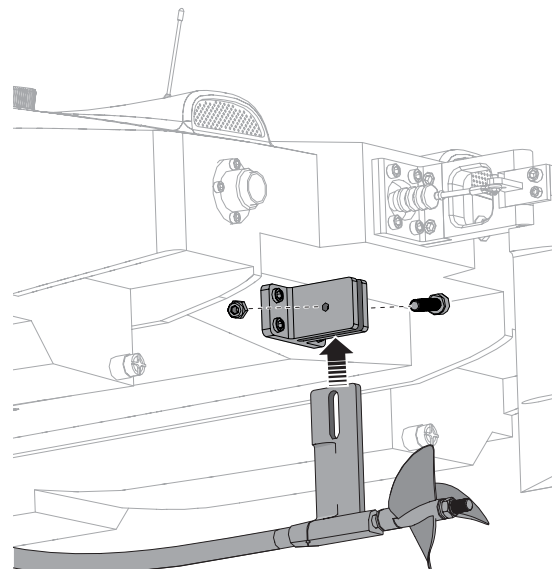
NOTICE: The boat may tip and/or flip, in this case.

- When possible, make left hand turns at full speed in a large sweeping radius to counteract torque roll.
- To prevent torque roll, replace the included propeller with one of smaller diameter and less pitch.
- Replacing the propeller with a smaller propeller of a smaller diameter and less pitch will reduce speed as well as torque roll.

Adjusting Boat Trim

1. Use a 3mm hex driver (or L wrench) and a 7mm open end wrench (or nut driver) to loosen the bolt holding the propeller strut to its mounting bracket.
2. Lower the strut if your boat rides with the nose in the air, bounces excessively, or flips over backwards. Lowering the strut drops the propeller deeper in to the water, which lifts the transom and causes the bow to lower, creating a more level ride plane.
3. Raise the strut if your boat is running flat on the water and not achieving full RPM potential.
4. Once you have adjusted the propeller strut, use a 3mm hex driver (or L wrench) and a 7mm open end wrench (or nut driver) to tighten the bolt holding the propeller strut to the mounting bracket.

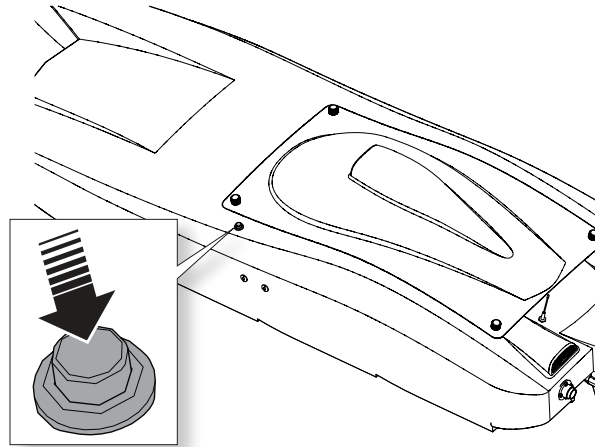
Tip: They key to a well running boat is balancing the amount of water contact with a stable and controlled ride attitude.



Stopping the Engine

Any time you want to stop the engine, especially if there is a problem, stop the engine by pressing the **KILL** switch.

CAUTION: Do not touch the engine or muffler after use. They can become extremely hot, which can cause injury or fire.

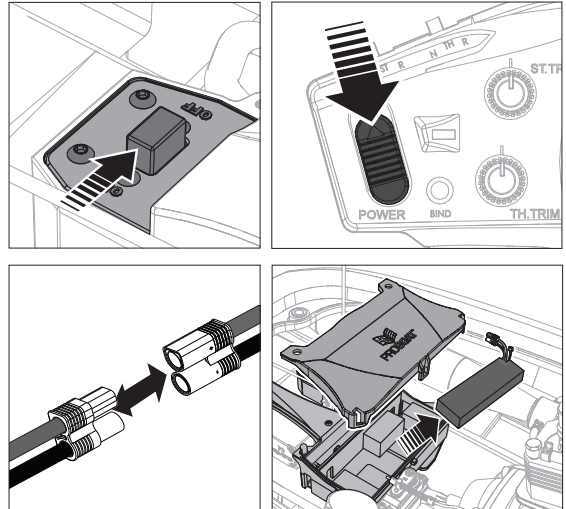


When You Are Finished

1. Power off the receiver.
2. Power off the transmitter.
3. Disconnect and remove the battery from the boat.

CAUTION: Never power off the transmitter or receiver before stopping the engine. You will lose control of your vehicle.

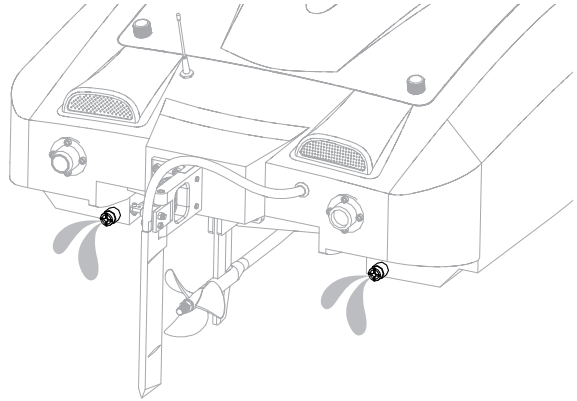
Tip: Always remove the canopy before storage or moisture may allow mold and mildew to grow in the boat.



After Boating

- Drain water from inside the hull using the auto bailers.
- Wipe exhaust residue from the boat.
- Rinse the deck, hull, and metal hardware, then dry them with a clean towel. Coat the metal hardware with water displacement fluid to help prevent corrosion.
- Fully dry the inside and outside of the boat, including the water cooling system. Remove the hatch before storing your boat.
- Apply an automotive wax coating to the exterior of your boat to prevent oxidation and to protect against damage caused by fuel or other harmful chemicals.
- Repair any damage or wear to the boat.
- Lubricate the flex shaft.
- Make note of lessons learned from the trimming of your boat, including water and wind conditions.

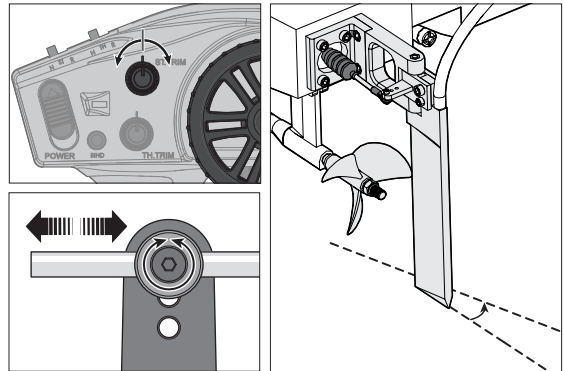
NOTICE: When you are finished boating, never leave the boat in direct sunlight or in a hot, enclosed area such as a car. Doing so can damage the boat.



Steering Trim

Use the **ST. Trim** knob on the transmitter to adjust the steering trim to center the rudder. If the servo arm is not close to its desired neutral position after the binding process and the rudder cannot be centered using trim, please take the following steps:

1. Make sure the **ST. Trim** knob is set to "0" or neutral.
2. Adjust the linkage to the servo so the rudder is centered when the steering is at neutral.

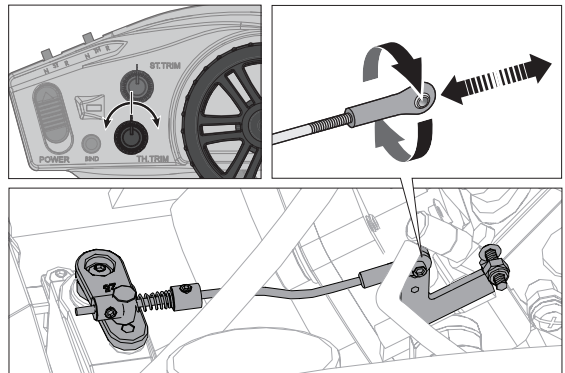


Throttle Trim

Adjust the **TH. Trim** so the carburetor is completely closed when the throttle trigger is at neutral. If the throttle cannot be closed using **TH. Trim**, follow these steps:

1. Make sure **TH. Trim** knob is set to "0" or neutral.
2. Use needle-nose pliers or ball link pliers (RVO1005) to remove or install a link on a control horn.
3. Turn the linkage clockwise or counterclockwise until the throttle is closed.
4. Attach the linkage to the control horn after adjustment.

NOTICE: Throttle trim change may affect engine operation. Carburetor settings must be set correctly or damage may result.



Engine Tuning

Before making adjustments:

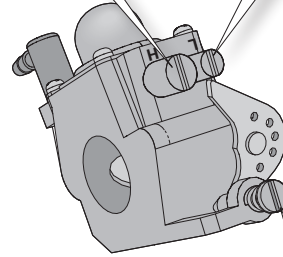
- Ensure there are no leaks or obstructions in the fuel tank, fuel tubing or the carburetor. Any faults can affect engine operation and tuning.
- The carburetor needle is very sensitive. Adjusting the needle even 1/16 of a turn is a significant change. Be careful when making adjustments. Running a lean engine can lead to premature engine wear or complete engine failure.
- The needles have markings to designate high and low speed.

Carburetor Factory Settings

The engine can be tuned from the factory settings to optimize performance under various conditions. If you lose track of the engine settings, return to these factory carburetor settings.

High-Speed Needle (on the left side). Close the high-speed needle by turning it clockwise until it stops, then turn it counterclockwise 1 1/2 turns out (open).

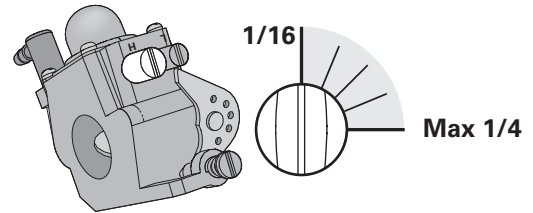
Low-Speed Needle (on the right side). Close the low-speed needle by turning it clockwise until it stops, then turn it counterclockwise 1 1/4 turns out (open).



Idle Screw (below the needles). Center the screw so the slot is straight up and down.

Adjusting the High Speed Needle

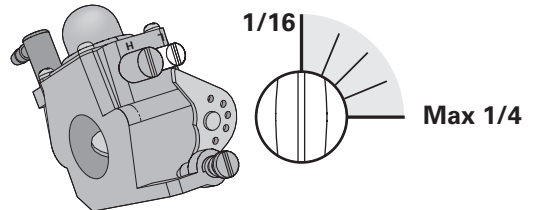
If the top speed is slow, turn in the high-speed needle 1/16 turn and test. Do not exceed 1/4 turn in from factory setting (minimum 1 1/4 turn out from closed) or the engine will be damaged.



Adjusting the Low Speed Needle

If the vehicle accelerates slowly, turn in the low-speed needle 1/16 turn and test.

Do not exceed 1/4 turn in from the factory setting (minimum 1 turn out from closed) or the engine will be damaged.

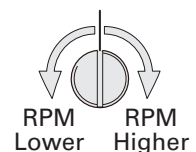
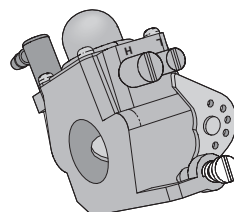


Idle Adjustment

RPM Lower (Arrow to left)

RPM Higher (Arrow to right)

If the idle is set too high (propeller turns) or too low (engine does not stay running), adjust the idle speed on the carburetor.



Spark Plug Test

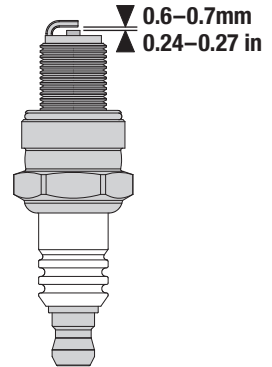
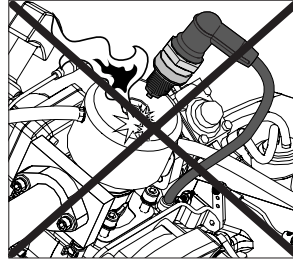
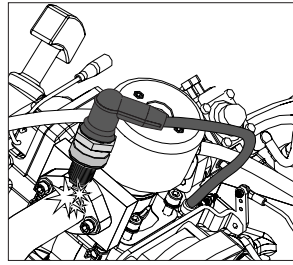
CAUTION: Before testing the spark plug, clean up spilled fuel and close fuel containers. Failure to do so can result in injury, fire or damage.

Remove the spark plug from the engine and attach the plug wire and boot to the spark plug. Place the threaded end of the spark plug against the muffler. Pull the starter cord in a quick continuous motion to turn over the engine and ensure there is a spark.

If there is no spark:

- Adjust the spark plug gap to 0.6–0.7mm (0.24–0.27 in)
- Install a new spark plug (LOSR5017)

CAUTION: Do not test the spark plug near the spark plug hole or residual fuel may ignite.



Flooded Engine

Fuel

The engine will not start if too much fuel is in the cylinder. Excess fuel can be expelled by following these steps. We recommend using safety goggles.

1. Disconnect and remove the spark plug.
2. Pull the starter cord in a continuous motion.
3. Replace the spark plug and make sure the boot is tightly secured.

NOTICE: Always clean up spilled fuel. Failure to do so may result in injury or damage.

Water

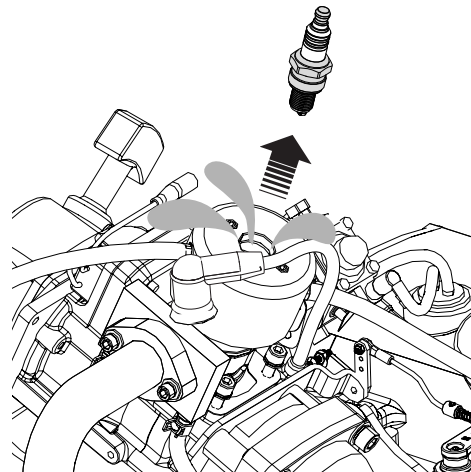
The engine will not start if it has been flooded with water. Excess water can be expelled using these steps:

1. Turn off all the electronics and disconnect the boat battery.
2. Disconnect and remove the spark plug.
3. Hold the boat upside down and pull the starter cord in a continuous motion until you no longer see water coming out of the boat.
4. Replace the spark plug, then thread it in half of the way.
5. Place your finger over the carburetor opening and repeatedly crank the engine using the pull starter. Fill the cylinder with enough fuel to displace the water inside of the engine.
6. Disconnect and remove the spark plug, then repeat Step 3.

7. Carefully spray motor fluid (DYN5500) into the cylinder head through the spark plug hole while slowly pulling the starter cord. The spray will displace any remaining water and fuel from inside the engine.
8. Spray motor fluid onto the spark plug's center electrode to remove any excess fuel. Allow it to completely dry.
9. Replace the spark plug and make sure the boot is tightly secured.

NOTICE: If the engine does not start, follow the **Spark Plug Test** instructions to ensure the spark plug is working properly.

Tip: Replace the fuel inside the fuel tank if it is contaminated during submersion.



Maintenance

1. Inspect the engine and engine mounts for damage or wear. Replace, clean or repair as needed.
2. Inspect the condition of the spark plug and wire. Replace as needed.
3. Inspect the tuned muffler for damage and leaks. Tighten the screws.
4. Clean and check the carburetor for leakage and smooth operation.

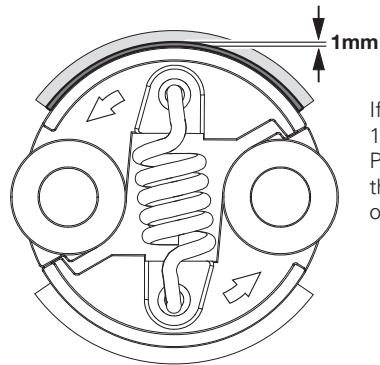
Clutch

The centrifugal clutch automatically engages when the engine rpm is increased. Be sure that the idle speed adjustment is set low enough so that the propeller does not rotate at idle. Periodically disassemble the clutch and clean debris from the clutch shoes and the inner clutch bell.

Clutch Housing Bearing

For prolonged clutch bearing life, keep the bearing well lubricated (DYNE0100).

In the event that your boat takes on water or flips and the bearing gets wet, clear the bearing of water. Failing to do so can lead to premature bearing failure or complete bearing seizure.

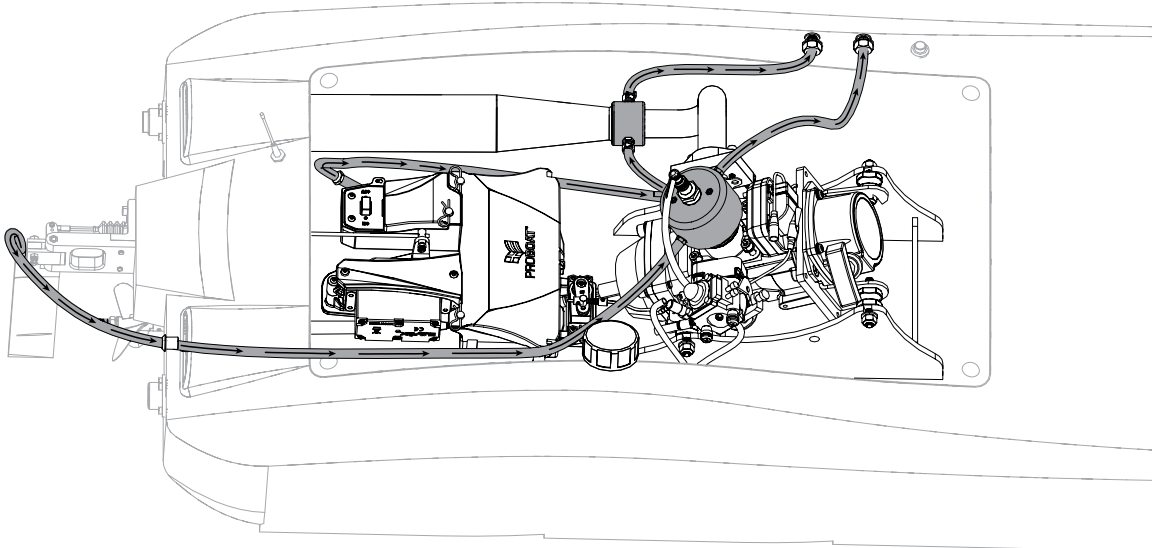
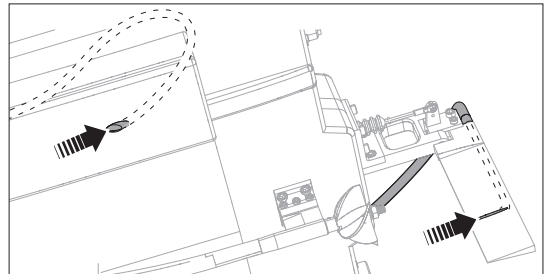


If worn to within 1mm, replace with PRB292003. Note the direction of operation (arrows).

Water Cooling System

If water does not stream out of the water outlets while the boat is moving forward, immediately stop the engine and clean the obstruction from the water cooling system. The engine and muffler have separate circulation connections.

1. Disassemble and clean the water cooling system to remove blockage and prevent overheating.
2. Replace damaged parts.



Drivetrain Lubrication

Always replace the drivetrain parts when they are damaged or show visible wear or injury and damage may result.

Lubricating the flex shaft is vital to the life of the drivetrain. The lubricant also acts as a water seal, keeping water from entering the hull through the stuffing tube.

Lubricate the flex shaft and all moving parts after every 30 minutes of operation. Lubricate the prop shaft after every 90 minutes of operation.

1. Remove 3 nuts and 3 screws from the prop strut on the bottom of the boat.
2. Slide the strut down out of the mount.

Tip: Use paper or cloth to touch the flex shaft and other lubricated parts.

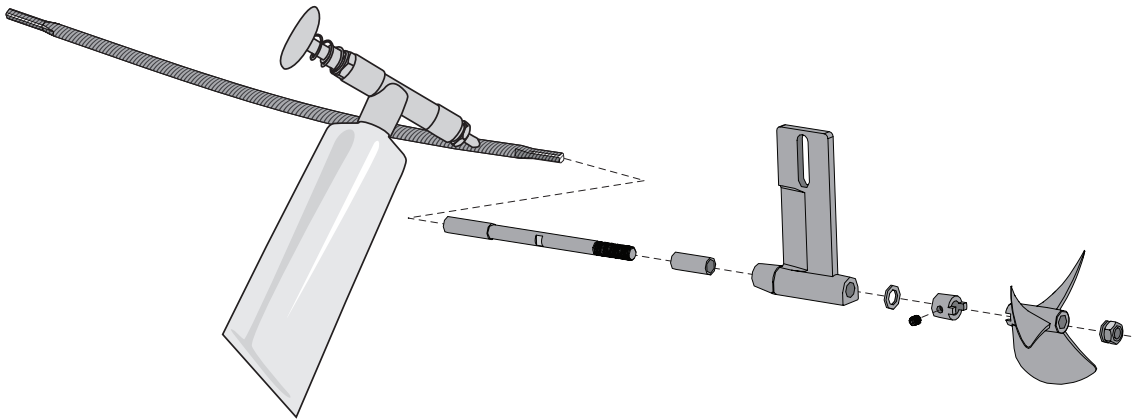
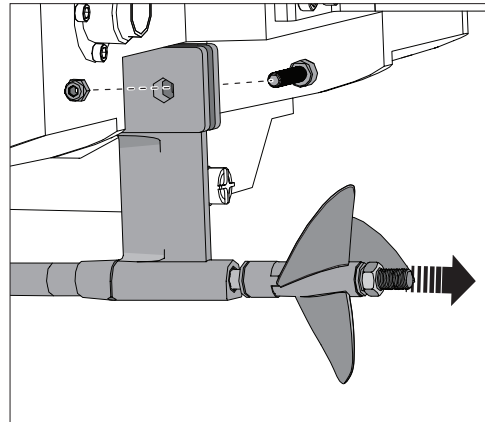
3. Remove the flex shaft by sliding it out of the clutch, the stuffing tube and the prop shaft. Mark or otherwise note the flex shaft end in the clutch.
4. Loosen the set screw of the drive dog using a 2mm hex driver.
5. Remove the nut, propeller and drive dog from the prop shaft.
6. Remove the prop shaft and 2 bushings from the prop strut.
7. Wipe lubricant and material from the shafts. Lubricate the flex shaft, prop strut and prop shaft using marine grease (PRB0101 or PRB0100).

NOTICE: Ensure the correct flex shaft end is inserted in the clutch. Failure to do so may result in damage.

8. Assemble in reverse order. Tighten the drive dog set screw on the flat spot on the prop shaft, applying threadlock as needed.

NOTICE: Running the boat in saltwater could cause some parts to corrode. If you run the boat in saltwater, rinse it thoroughly in freshwater after each use and lubricate the drive system.

NOTICE: Because of its corrosive effects, running RC boats in saltwater is at the discretion of the modeler.



Troubleshooting Guide

Problem	Possible Cause	Solution
Boat will not respond to throttle but responds to other controls	Throttle channel is reversed	Reverse throttle channel on transmitter
Extra noise or extra vibration	Damaged propeller, shaft or engine	Replace damaged parts
	Propeller is out of balance	Balance or replace propeller
Reduced run time or boat underpowered	Receiver battery charge is low	Completely recharge battery
	Receiver battery is damaged	Replace battery and follow battery instructions
	Blocking or friction on shaft or propeller	Disassemble, lubricate and correctly align parts
	Boat conditions may be too cold	Make sure battery is warm before use
	Drive dog is too close to the prop strut	Loosen drive dog and move out away from the prop strut a small amount
	Too little lubrication on flex shaft	Fully lubricate flex shaft
Boat will not Bind (during binding) to transmitter	Transmitter is too close to the boat during binding process	Move powered transmitter a few feet from boat, disconnect and reconnect battery to boat
	Boat or transmitter is too close to large metal object, wireless source or another transmitter	Move boat and transmitter to another location and attempt binding again
	Receiver battery/transmitter battery charge is too low	Replace/recharge batteries
	Receiver switch is off	Power on Receiver switch
Boat will not connect (after binding) to transmitter	Transmitter is too close to the boat during connecting process	Move powered transmitter a few feet from boat, disconnect and reconnect battery to boat
	Boat or transmitter is too close to large metal object, wireless source or another transmitter	Move boat and transmitter to another location and attempt connecting again
	Receiver battery/transmitter battery charge is too low	Replace/recharge batteries
	Receiver switch is off	Power on Receiver switch
Boat tends to dive in the water or takes on water	Prop angle is incorrect	Adjust prop angle
	The boat hull is not completely closed	Dry out the boat and ensure the hatch is fully closed on the hull before returning the boat to the water
Boat tends to turn one direction	Rudder or rudder trim is not centered	Repair rudder or adjust rudder and rudder trim for straight running when control is at neutral
Rudder does not move	Rudder, linkage or servo damage	Replace or repair damaged parts and adjust controls
	Servo wire is damaged or connections are loose	Do a check of wires and connections, connect or replace as needed
	Transmitter is not bound correctly	Re-bind receiver to the transmitter
	Receiver switch is off	Power on receiver switch
Controls reversed	Transmitter settings are reversed	Do the Control Direction Test and adjust controls on transmitter appropriately
Engine overheats	Blocked water cooling system	Clean or replace parts in the water cooling system
Erratic control	Transmitter is too close to the boat during binding process	Move powered transmitter a few feet from boat, disconnect and reconnect battery to boat
Boat does not drive straight	Transmitter steering trim not centered	Adjust steering trim so boat drives straight
No steering or lack of steering	Steering dual-rate (D/R) not adjusted correctly	Adjust steering steering dual-rate (D/R) knob on transmitter to desired steering throw
	Servo failed	Contact Horizon Product Support
No throttle or lack of throttle	Throttle dual-rate (D/R) not adjusted correctly	Adjust the throttle dual-rate (D/R) knob on transmitter to desired steering throw
	Engine failed	Contact Horizon Product Support

Engine Troubleshooting Guide

Problem	Possible Cause	Solution
Engine does not start	Out of fuel	Refill the tank and follow starting instructions
	Engine flooded	Remove the spark plug. Pull the starter cord in a quick continuous motion. Replace and test
	Fuel mixture is old or bad	Mix fresh fuel per instructions
	Spark plug is not working	Repair or replace the spark plug
	Throttle servo failed/Setup is wrong	Check servo operation. Set it to neutral and reset the linkage according to your radio and model manufacturer's specifications
	Carburetor is incorrectly adjusted	Return the carburetor to the factory settings and retune if necessary
	Engine stop switch is malfunctioning	Check and replace the stop switch if necessary
	Piston and cylinder is worn	Check the piston and cylinder for wear or damage and replace if necessary
	Wiring is disconnected or damaged	Connect wiring, repair or replace damaged parts
Receiver switch is off	Power on receiver switch	
Engine starts then stalls	Out of fuel	Refill the tank and follow starting instructions
	Engine may be overheated	Let the engine cool. Reset the carburetor to factory settings and restart
	Engine idle is too low	Follow the instructions to increase idle speed
	Carburetor is incorrectly adjusted	Return the carburetor to the factory settings and retune if necessary
	Clutch is slipping or locked-up	Repair or replace the clutch
	Fuel mixture is old or bad	Mix fresh fuel per instructions
	Throttle servo is improperly set up	Set the servo to neutral and reset the linkage according to radio and model manufacturer's specifications
Clutch or flex shaft cannot turn	Repair or replace damaged parts	
Engine is running, but vehicle does not move	Clutch is slipping or locked-up	Replace damaged parts
	Clutch or flex shaft is damaged	Replace damaged parts



Limited Warranty

What this Warranty Covers

Horizon Hobby, LLC, (Horizon) warrants to the original purchaser that the product purchased (the "Product") will be free from defects in materials and workmanship at the date of purchase.

What is Not Covered

This warranty is not transferable and does not cover (i) cosmetic damage, (ii) damage due to acts of God, accident, misuse, abuse, negligence, commercial use, or due to improper use, installation, operation or maintenance, (iii) modification of or to any part of the Product, (iv) attempted service by anyone other than a Horizon Hobby authorized service center, (v) Product not purchased from an authorized Horizon dealer, or (vi) Product not compliant with applicable technical regulations or (vii) use that violates any applicable laws, rules, or regulations.

OTHER THAN THE EXPRESS WARRANTY ABOVE, HORIZON MAKES NO OTHER WARRANTY OR REPRESENTATION, AND HEREBY DISCLAIMS ANY AND ALL IMPLIED WARRANTIES, INCLUDING, WITHOUT LIMITATION, THE IMPLIED WARRANTIES OF NON-INFRINGEMENT, MERCHANTABILITY AND FITNESS FOR A PARTICULAR PURPOSE. THE PURCHASER ACKNOWLEDGES THAT THEY ALONE HAVE DETERMINED THAT THE PRODUCT WILL SUITABLY MEET THE REQUIREMENTS OF THE PURCHASER'S INTENDED USE.

Purchaser's Remedy

Horizon's sole obligation and purchaser's sole and exclusive remedy shall be that Horizon will, at its option, either (i) service, or (ii) replace, any Product determined by Horizon to be defective. Horizon reserves the right to inspect any and all Product(s) involved in a warranty claim. Service or replacement decisions are at the sole discretion of Horizon. Proof of purchase is required for all warranty claims. SERVICE OR REPLACEMENT AS PROVIDED UNDER THIS WARRANTY IS THE PURCHASER'S SOLE AND EXCLUSIVE REMEDY.

Limitation of Liability

HORIZON SHALL NOT BE LIABLE FOR SPECIAL, INDIRECT, INCIDENTAL OR CONSEQUENTIAL DAMAGES, LOSS OF PROFITS OR PRODUCTION OR COMMERCIAL LOSS IN ANY WAY, REGARDLESS OF WHETHER SUCH CLAIM IS BASED IN CONTRACT, WARRANTY, TORT, NEGLIGENCE, STRICT LIABILITY OR ANY OTHER THEORY OF LIABILITY, EVEN IF HORIZON HAS BEEN ADVISED OF THE POSSIBILITY OF SUCH DAMAGES. Further, in no event shall the liability of Horizon exceed the individual price of the Product on which liability is asserted. As Horizon has no control over use, setup, final assembly, modification or misuse, no liability shall be assumed nor accepted for any resulting damage or injury. By the act of use, setup or assembly, the user accepts all resulting liability. If you as the purchaser or user are not prepared to accept the liability associated with the use of the Product, purchaser is advised to return the Product immediately in new and unused condition to the place of purchase.

Law

These terms are governed by Illinois law (without regard to conflict of law principals). This warranty gives you specific legal rights, and you may also have other rights which vary from state to state. Horizon reserves the right to change or modify this warranty at any time without notice.

WARRANTY SERVICES

Questions, Assistance, and Services

Your local hobby store and/or place of purchase cannot provide warranty support or service. Once assembly, setup or use of the Product has been started, you must contact your local

distributor or Horizon directly. This will enable Horizon to better answer your questions and service you in the event that you may need any assistance. For questions or assistance, please visit our website at www.horizonhobby.com, submit a Product Support Inquiry, or call the toll free telephone number referenced in the Warranty and Service Contact Information section to speak with a Product Support representative.

Inspection or Services

If this Product needs to be inspected or serviced and is compliant in the country you live and use the Product in, please use the Horizon Online Service Request submission process found on our website or call Horizon to obtain a Return Merchandise Authorization (RMA) number. Pack the Product securely using a shipping carton. Please note that original boxes may be included, but are not designed to withstand the rigors of shipping without additional protection. Ship via a carrier that provides tracking and insurance for lost or damaged parcels, as Horizon is not responsible for merchandise until it arrives and is accepted at our facility. An Online Service Request is available at http://www.horizonhobby.com/content/service-center_render-service-center. If you do not have internet access, please contact Horizon Product Support to obtain a RMA number along with instructions for submitting your product for service. When calling Horizon, you will be asked to provide your complete name, street address, email address and phone number where you can be reached during business hours. When sending product into Horizon, please include your RMA number, a list of the included items, and a brief summary of the problem. A copy of your original sales receipt must be included for warranty consideration. Be sure your name, address, and RMA number are clearly written on the outside of the shipping carton.

NOTICE: Do not ship Li-Po batteries to Horizon. If you have any issue with a Li-Po battery, please contact the appropriate Horizon Product Support office.

Warranty Requirements

For Warranty consideration, you must include your original sales receipt verifying the proof-of-purchase date. Provided warranty conditions have been met, your Product will be serviced or replaced free of charge. Service or replacement decisions are at the sole discretion of Horizon.

Non-Warranty Service

Should your service not be covered by warranty, service will be completed and payment will be required without notification or estimate of the expense unless the expense exceeds 50% of the retail purchase cost. By submitting the item for service you are agreeing to payment of the service without notification. Service estimates are available upon request. You must include this request with your item submitted for service. Non-warranty service estimates will be billed a minimum of ½ hour of labor. In addition you will be billed for return freight. Horizon accepts money orders and cashier's checks, as well as Visa, MasterCard, American Express, and Discover cards. By submitting any item to Horizon for service, you are agreeing to Horizon's Terms and Conditions found on our website http://www.horizonhobby.com/content/service-center_render-service-center.

ATTENTION: Horizon service is limited to Product compliant in the country of use and ownership. If received, a non-compliant Product will not be serviced. Further, the sender will be responsible for arranging return shipment of the un-serviced Product, through a carrier of the sender's choice and at the sender's expense. Horizon will hold non-compliant Product for a period of 60 days from notification, after which it will be discarded.

Warranty and Service Contact Information

Country of Purchase	Horizon Hobby	Contact Information	Address
United States of America	Horizon Service Center (Repairs and Repair Requests)	servicecenter.horizonhobby.com/RequestForm/	4105 Fieldstone Rd Champaign, Illinois, 61822 USA
	Horizon Product Support (Product Technical Assistance)	productsupport@horizonhobby.com 877-504-0233	
	Sales	websales@horizonhobby.com 800-338-4639	
United Kingdom	Service/Parts/Sales: Horizon Hobby Limited	sales@horizonhobby.co.uk	Units 1-4 , Ployters Rd, Staple Tye Harlow, Essex, CM18 7NS, United Kingdom
		+44 (0) 1279 641 097	
Germany	Horizon Technischer Service	service@horizonhobby.de	Christian-Junge-Straße 1 25337 Elmshorn, Germany
	Sales: Horizon Hobby GmbH	+49 (0) 4121 2655 100	
France	Service/Parts/Sales: Horizon Hobby SAS	infofrance@horizonhobby.com	11 Rue Georges Charpak 77127 Lieusaint, France
		+33 (0) 1 60 18 34 90	

FCC Information

FCC ID: BRWDSTX1 This device complies with part 15 of the FCC rules. Operation is subject to the following two conditions:

- (1) This device may not cause harmful interference, and
- (2) This device must accept any interference received, including interference that may cause undesired operation.

CAUTION: Changes or modifications not expressly approved by the party responsible for compliance could void the user's authority to operate the equipment.

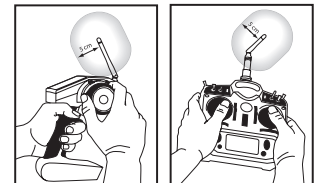
This product contains a radio transmitter with wireless technology which has been tested and found to be compliant with the applicable regulations governing a radio transmitter in the 2.400GHz to 2.4835GHz frequency range.

IC Information

IC ID: 6157A-STX1 This device complies with Industry Canada licence-exempt RSS standard(s). Operation is subject to the following two conditions: (1) this device may not cause interference, and (2) this device must accept any interference, including interference that may cause undesired operation of the device.

Antenna Separation Distance

When operating your Spektrum transmitter, please be sure to maintain a separation distance of at least 20cm between your body (excluding fingers, hands, wrists, ankles and feet) and the antenna to meet RF exposure safety requirements as determined by FCC regulations.



The following illustrations show the approximate 5 cm RF exposure area and typical hand placement when operating your Spektrum transmitter.

CE EU Compliance Statement: Horizon Hobby, LLC hereby declares that this product is in compliance with the essential requirements and other relevant provisions of the R&TTE, EMC, and LVD Directives.

A copy of the EU Declaration of Conformity is available online at: <http://www.horizonhobby.com/content/support-render-compliance>.



Instructions for Disposal of WEEE by Users in the European Union

This product must not be disposed of with other waste. Instead, it is the user's responsibility to dispose of their waste equipment by handing it over to a designated collection point for the recycling of waste electrical and electronic equipment. The separate collection and recycling of your waste equipment at the time of disposal will help to conserve natural resources and ensure that it is recycled in a manner that protects human health and the environment. For more information about where you can drop off your waste equipment for recycling, please contact your local city office, your household waste disposal service or where you purchased the product.

Replacement Parts / Ersatzteile / Pièces de Rechange / Pezzi di Ricambio

Part #	English	Deutsch	Français	Italiano
PRB292001	Stuffing Tube Liner: Rockstar 48	Schlauchdichtung: Rockstar 48	Revêtement de tube de remplissage Rockstar 48	Guaina premistoppa: Rockstar 48
PRB296002	Exhaust O-Ring: Rockstar 48	O-Ring Auslass Rockstar 48	Joint torique d'échappement Rockstar 48	O-ring scarico: Rockstar 48
DYNB0500	7.4V 5200mAh 2S 15C LiPo	7,4 V 5200 mAh 2S 15C LiPo	7,4 V 5 200 mAh 2S 15C LiPo	7,4V 5200 mAh 2S 15C LiPo
DYNE1217	Exhaust Cooling Block Gasket, Rockstar 48	Kühlblock-Dichtung Auslass, Rockstar 48	Joint d'étanchéité de bloc de refroidissement d'échappement, Rockstar 48	Tenuta scarico blocco raffreddamento, Rockstar 48
DYNE1218	ON/OFF Switch: Rockstar 48	EIN/AUS-Schalter: Rockstar 48	Interrupteur marche/arrêt Rockstar 48	Interruttore ON/OFF: Rockstar 48
LOSR5017	Spark Plug, Losi 26cc	Zündkerze, Losi 26 cc	Bougie, Losi 26cc	Candela, Losi 26 cc
LOSR5031	Exhaust Gasket (2), Los 26cc	Auslassdichtung (2), Los 26 cc	Joint de collecteur d'échappement (2), Los 26cc	Tenuta scarico (2), Losi 26 cc
PRB281049	Hull: 48" Zelos G Catamaran: RTR	Rumpf: 122 cm Zelos G Catamaran: RTR	Coque : catamaran Zelos G 122 cm, RTR	Scafo: Catamarano Zelos G di 122 cm RTR
PRB281050	Canopy: 48" Zelos G Catamaran: RTR	Verdeck: 122 cm Zelos G Catamaran: RTR	Tendelet : catamaran Zelos G 122 cm, RTR	Capottina: Catamarano Zelos G di 122 cm RTR
PRB281051	Rudder: Rockstar 48	Seitenruder: Rockstar 48	Gouverne de direction : Rockstar 48	Timone: Rockstar 48
PRB281052	Rudder Mount:48" Zelos G Catamaran: RTR	Ruderhalterung: 122 cm Zelos G Catamaran: RTR	Gouvernail : catamaran Zelos G 122 cm, RTR	Montante timone: Catamarano Zelos G di 122 cm RTR
PRB282044	Flex Shaft:48" Zelos G Catamaran: RTR	Flex-Schaft : 122 cm Zelos G Catamaran: RTR	Arbre flexible : catamaran Zelos G 122 cm, RTR	Albero flessibile: Catamarano Zelos G di 122 cm RTR
PRB282045	Propeller: 48" Zelos G Catamaran: RTR 2.6x1.8	Propeller: 122 cm Zelos G Catamaran: RTR 2,6x1,8	Hélice : catamaran Zelos G 122 cm, RTR 2.6x1.8	Elica: Catamarano Zelos G di 122 cm RTR 2.6x1.8
PRB286042	Propeller Strut: 48" Zelos G Catamaran: RTR	Propellerstange: 122 cm Zelos G Catamaran: RTR	Support d'arbre d'hélice : catamaran Zelos G 122 cm, RTR	Montante elica: Catamarano Zelos G di 122 cm RTR
PRB286043	Auto Bailers: 48" Zelos G Catamaran: RTR	Lenzventile: 122 cm Zelos G Catamaran: RTR	Auto-videurs : catamaran Zelos G 122 cm, RTR	Autobailer: Catamarano Zelos G di 122 cm RTR
PRB286044	Aluminum Accessories: 48" Zelos G Catamaran: RTR	Zubehör aus Aluminium: 122 cm Zelos G Catamaran: RTR	Accessoires en aluminium : catamaran Zelos G 122 cm, RTR	Accessori in alluminio: Catamarano Zelos G di 122 cm RTR
PRB286045	Throttle Link: 48" Zelos G Catamaran: RTR	Drosselverbindung: 122 cm Zelos G Catamaran: RTR	Tringlerie : catamaran Zelos G 122 cm, RTR	Leveraggio acceleratore: Catamarano Zelos G di 122 cm RTR
PRB286046	Kill Switch: 48" Zelos G Catamaran: RTR	Notausschalter: 122 cm Zelos G Catamaran: RTR	Coupe-circuit : catamaran Zelos G 122 cm, RTR	Interruttore d'emergenza: Catamarano Zelos G di 122 cm RTR
PRB291002	Radio Tray: Rockstar 48	Radioplatte: Rockstar 48	Platine radio Rockstar 48	Supporto radio: Rockstar 48
PRB291004	Fuel Tank: Rockstar 48	Kraftstofftank: Rockstar 48	Réservoir de carburant : Rockstar 48	Serbatoio carburante: Rockstar 48
PRB291006	Rudder Pushrod Set: Rockstar 48	Rudergestängesatz: Rockstar 48	Ensemble de tiges de gouvernail : Rockstar 48	Set aste di comando timone: Rockstar 48
PRB292003	Clutch: 6,000 RPM	Kupplung: 6.000 U/min.	Embrayage 6 000 tr/min	Frizione: 6.000 giri/min
PRB296000	Vibration Damper: Rockstar 48	Schwingungsdämpfer: Rockstar 48	Amortisseur de vibrations : Rockstar 48	Smorzatore vibrazioni: Rockstar 48
SPM2330	DX2E 2Ch DSMR Surface Radio w/SR310	DX2E 2Ch DSMR Funkgerät mit SR310	Radio de surface DX2E 2Ch DSMR avec SR310	DX2E 2 radiocomando DSMR a 2 canali con SR310
SPMMR4000	MR4000 DSMR 4 Ch Marine Receiver	MR4000 DSMR 4 Ch Bootempfänger	Récepteur marin MR4000 DSMR 4 canaux	Ricevitore marino MR4000 DSMR 4 canali
SPMS605HV				
SPMS904HV	S904HV 1/6 High Voltage 18KG Steering Servo	S904HV 1/6 Hochspannung 18 KG Lenkservo	Servo de direction S904HV 1/6 haute tension 18 kg	Servocomando S904HV 1/6 alta tensione 18 kg
ZENT303991310	G23RC Wrench Tool	G23RC Steckschlüssel	Clé G23RC	Chiave G23RC

Recommended Parts / Empfohlene Teile / Pièces recommandées / Pezzi consigliati

Part #	English	Deutsch	Français	Italiano
DYN2819	5 pc Metric Hex Driver Assortment	5-teiliges metrisches Inbusschlüssel-Set	Assortiment de 5 tournevis hexagonaux métriques	Set di 5 chiavi esagonali metriche
DYN2828	Screwdriver: #1 Phillips	Schraubenzieher: #1 Kreuzschlitz	Tournevis : #1 Phillips	Cacciavite a stella #1
DYN3048	3-In-1 Tuning Screwdriver	3-in-1-Tuning-Schraubendreher	Tournevis de réglage 3-en-1	Cacciavite per regolazione 3-in-1
DYN5500	Magnum Force 2 Motor Spray, 13 oz	Magnum Force 2 Motorspray, 368 g	Spray moteur Magnum Force 2, 368 g	Spray per motori Magnum Force 2, 368 g
DYNC2005CA	Prophet Sport LiPo 35W AC Charger	Prophet Sport LiPo 35 W AC-Ladegerät	Chargeur Prophet Sport LiPo CA 35 W	Caricabatterie Prophet Sport LiPo 35 W AC
DYNE0100	Precision Oiler: Medium	Präzisionsöler: Medium	Graisseur de précision : Moyen	Oliatore di precisione: medio
DYNE4100	2 Cycle Oil, 100cc: 5IVE-T	2 Takteröl, 100 ml: 5IVE-T	Huile 2 cycles, 100 ml : 5IVE-T	2 cicli olio, 100 ml: 5IVE-T
DYNE4200	Grease Gun with Marine Grease 5 oz	Fettpresse mit Marine Grease 142 g	Pistolet graisseur avec graisse marine, 152 g	Grasso marino con pistola 142 g
DYNM0102	Clear Flexible Marine Tape (18M)	Transparentes, flexibles Bootsband (18 m)	Ruban adhésif marin transparent souple (18 m)	Nastro marino trasparente flessibile (18 m)
DYNT0502	Start Up Tool Set: Proboat	Anfänger-Werkzeugsatz: Proboat	Ensemble d'outils de démarrage : Proboat	Set messa in moto: Proboat
RVO1005	Deluxe Ball Link Pliers: All	Deluxe Kugelgelenkzange: Alle	Pinces à liaison à billes de luxe Tous	Pinze per nodi sferici deluxe: Tutti
TLR76004	TLR Lok, Threadlock, Blue	TLR Lok, Schraubensicherung, blau	TLR Lok, Frein-filet, bleu	TLR Lok, frenafiletli, blu

Optional Parts / Diverse Teile / Pièces Optionnelles / Pezzi Opzionali

Part #	English	Deutsch	Français	Italiano
PRBE4201	Marine Grease 5 oz	Proboat Marine Fett m. Applikator 5 oz	Graisse marine, 152 g	Grasso marino
DYNC3010	Passport Ultra Force 220W Touch Battery Charger	Passport Ultra Force 220W Touch-Akkuladegerät	Passport Ultra Force 220 W Chargeur de batterie tactile	Caricabatterie Passport Ultra Force 220 W Touch
DYNK0027	CA, Thin, 2 oz	CA, dünn, 59 ml	Adhésif, mince, 59 ml	Colla CA, fine, 59 ml
DYNK0031	CA, Medium, 2 oz	CA, mittel, 59 ml	Adhésif, moyen, 59 ml	Colla CA, media, 59 ml
DYNK0036	CA, Thick, 2 oz	CA, dick, 59 ml	Adhésif, épais, 59 ml	Colla CA, spessa, 59 ml
DYNT2030	Machined Hex Driver Set (4) Met	Set gefräste Inbusschraubendreher (4) Met	Jeu de tournevis hexagonaux usiné (4) IMet	Set chiavi esagonali macchinate (4) met
PRB292002	Propeller, SS, 2.75 x 1.5 x 1/4 shaft	Propeller, SS, 70 mm x 38 mm x 6,35 mm Schaft	Hélice, SS, 70 mm x 38 mm x 6,35 mm arbre	Elica, SS, 70 mm x 38 mm x 6,35 mm albero

53739 Created: 12/2016

©2017 Horizon Hobby, LLC

Pro Boat, the Pro Boat logo, Zelos, Dynamite, Prophet, DSMR, EC3, Magnum Force 2 and the Horizon Hobby logo are trademarks or registered trademarks of Horizon Hobby, LLC.

The Spektrum trademark is used with permission of Bachmann Industries, Inc.

All other trademarks, service marks and logos are property of their respective owners. Patents pending.

PRB09004