



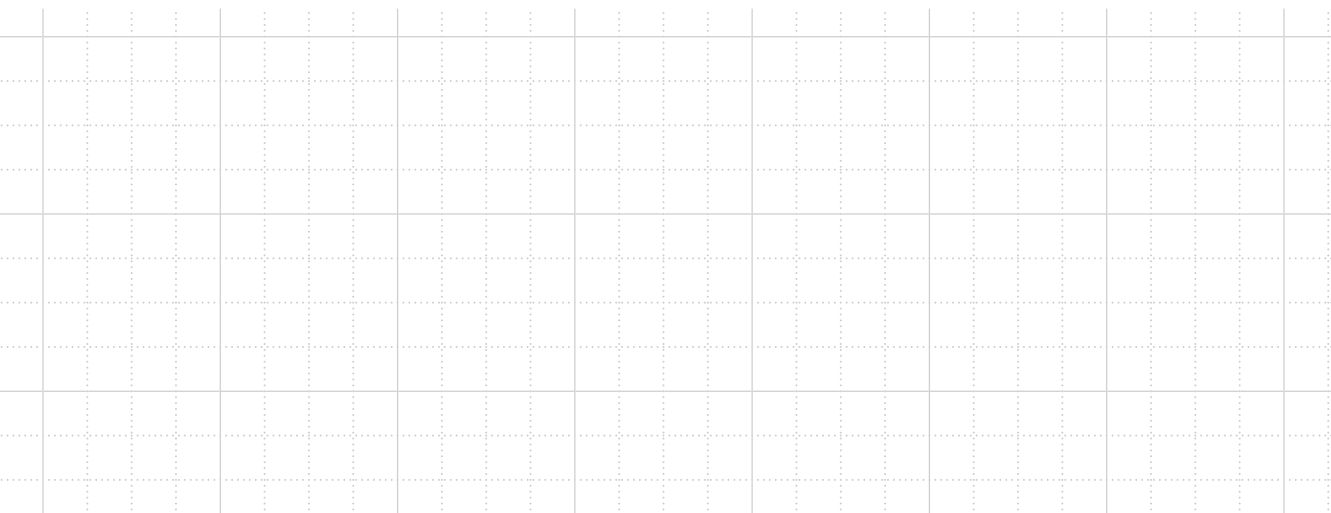
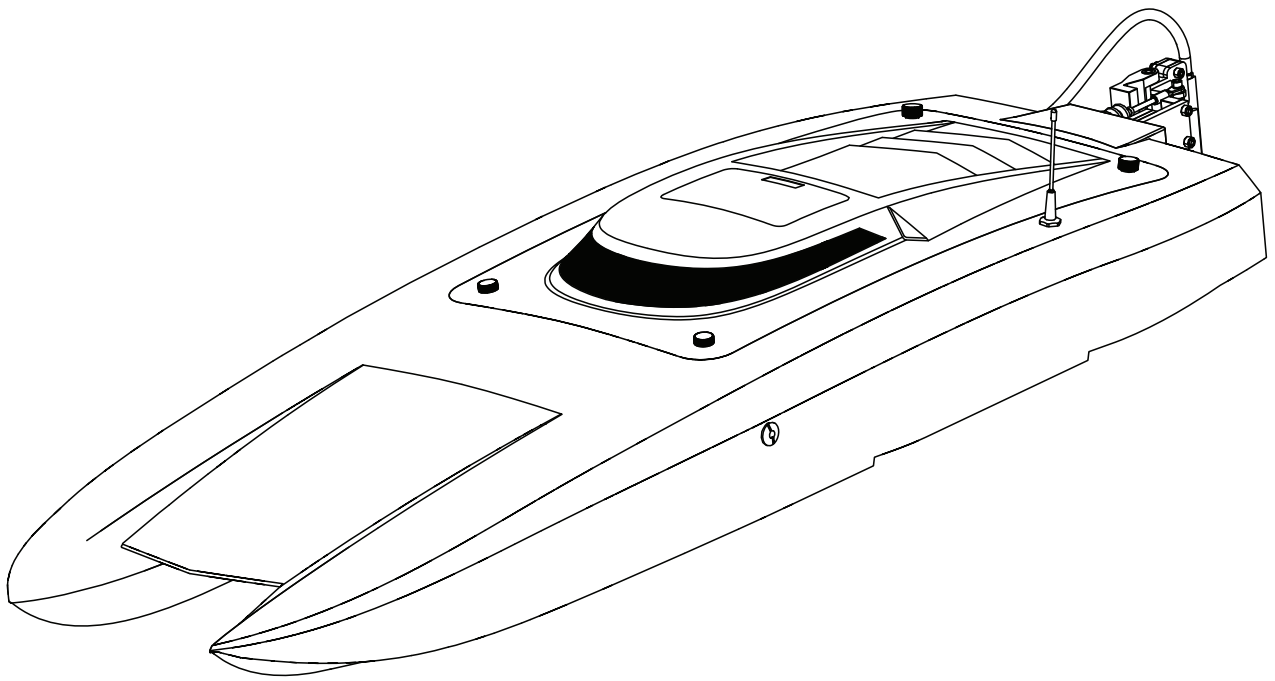
PROBOAT™
ProBoatModels.com

VELES[®] 29

BRUSHLESS RTR CATAMARAN

PRB08029

Owners Manual • Bedienungsanleitung
Manuel de l'utilisateur • Manuale dell'utente



NOTICE

All instructions, warranties and other collateral documents are subject to change at the sole discretion of Horizon Hobby, LLC. For up-to-date product literature, visit www.horizonhobby.com or www.towerhobbies.com and click on the support or resources tab for this product.

MEANING OF SPECIAL LANGUAGE

The following terms are used throughout the product literature to indicate various levels of potential harm when operating this product:

WARNING: Procedures, which if not properly followed, create the probability of property damage, collateral damage, and serious injury OR create a high probability of superficial injury.

CAUTION: Procedures, which if not properly followed, create the probability of physical property damage AND a possibility of serious injury.

NOTICE: Procedures, which if not properly followed, create a possibility of physical property damage AND little or no possibility of injury.



WARNING: Read the ENTIRE instruction manual to become familiar with the features of the product before operating. Failure to operate the product correctly can result in damage to the product, personal property and cause serious injury.

This is a sophisticated hobby product and NOT a toy. It must be operated with caution and common sense and requires some basic mechanical ability. Failure to operate this Product in a safe and responsible manner could result in injury or damage to the product or other property. This product is not intended for use by children without direct adult supervision. Do not use with incompatible components or alter this product in any way outside of the instructions provided by Horizon Hobby, LLC. This manual contains instructions for safety, operation and maintenance. It is essential to read and follow all the instructions and warnings in the manual, prior to assembly, setup or use, in order to operate correctly and avoid damage or serious injury.

Age Recommendation: Not for children under 14 years. This is not a toy.

Safety Precautions and Warnings

As the user of this product, you are solely responsible for operating in a manner that does not endanger yourself and others or result in damage to the product or the property of others.

- When handling and/or transporting your boat, always pick up the boat from the sides, keeping all moving parts pointed away from you.
- Always keep a safe distance in all directions around your model to avoid collisions or injury. This model is controlled by a radio signal subject to interference from many sources outside your control. Interference can cause momentary loss of control.
- Always operate your model in open spaces away from full-size vehicles, traffic and people.

- Always carefully follow the directions and warnings for this and any optional support equipment (chargers, rechargeable battery packs, etc.).
- Always keep all chemicals, small parts and anything electrical out of the reach of children.
- Always avoid water exposure to all equipment not specifically designed and protected for this purpose. Moisture causes damage to unprotected electronics.
- Never place any portion of the model in your mouth as it could cause serious injury or even death.
- Never operate your model with low transmitter batteries.

Table of Contents

Water-Resistant Boat with Waterproof Electronics	3	After Boating and Maintenance.....	10
General Precautions	3	Binding	10
Wet Conditions Maintenance.....	3	Failsafe	10
Specifications	3	Motor Care.....	10
Recommended Tools and Materials	4	Water Cooling System.....	11
Battery Charger	4	Rudder Service.....	11
Boat Stand Assembly	4	Propeller Service.....	11
Antenna Tube Installation.....	4	Propeller Strut Depth Adjustment.....	11
Canopy Removal.....	5	Drivetrain Lubrication	12
Installing the Battery Packs	5	Transmitter Programming	12
Spektrum DX2E Radio System.....	6	Troubleshooting Guide.....	13
Transmitter Battery Installation.....	6	Limited Warranty	14
Battery Charger	6	Warranty and Service Contact Information	15
Low Voltage Cutoff (LVC).....	7	FCC Information	15
Battery Chemistry	7	IC Information.....	15
Getting Started	7	EU Compliance Statement.....	15
Control Check.....	8	Instructions for Disposal of WEEE	15
Testing Your Boat in the Water	8	Replacement Parts	58
Boating Tips	9	Recommended Parts.....	58
When You Are Finished	9	Optional Parts.....	59

Water-Resistant Boat with Waterproof Electronics

Your new Horizon Hobby boat has been designed and built with a combination of waterproof and water-resistant components to allow you to operate the product in calm, fresh water conditions.

While the entire boat is highly water-resistant, it is not completely waterproof and your boat should NOT be treated like a submarine. The various electronic components used in the boat, such as the servo(s) and receiver are waterproof, however, most of the mechanical components are water-resistant and require additional maintenance after use.

Metal parts, including the bearings, pins, screws and nuts, propeller, rudder, rudder mounts, prop struts, as well as the contacts in the electrical cables, will be susceptible to corrosion if additional maintenance is not performed after running in wet conditions. To maximize the long-term performance of your boat and to keep the warranty intact, the procedures described in the “Wet Conditions Maintenance” section must be performed regularly.



CAUTION: Failure to exercise caution while using this product and complying with the following precautions could result in product malfunction and/or void the warranty.

General Precautions

- Read the **WET CONDITIONS MAINTENANCE** procedures and make sure that you have all the tools you will need to properly maintain your boat.
- Not all batteries can be used in wet conditions. Consult the battery manufacturer before use. Caution should be taken when using Li-Po batteries in wet conditions.
- Most transmitters are not water-resistant. Consult your transmitter’s manual or the manufacturer before operation.
- Never operate your transmitter or boat when lightning is present.
- Salt water is very conductive and highly corrosive. If you choose to run your boat in salt water, immediately rinse the boat in fresh water after each use. Operating your boat in salt water is at the sole discretion of the modeler.

Wet Conditions Maintenance

- Drain any water that has collected in the hull by removing the drain plug or canopy and tilting the boat in the appropriate direction to drain the water.



CAUTION: Always keep hands, fingers, tools and any loose or hanging objects away from rotating parts.

- Remove the battery pack(s) and dry the contacts. If you have an air compressor or a can of compressed air, blow out any water that may be inside the recessed connector housings.
- Remove all moving parts. Dry and lubricate parts after every 30 minutes of operation or if the boat becomes submerged.

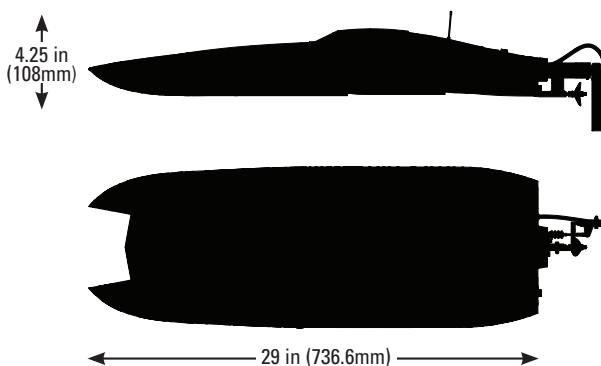
NOTICE: Never use a pressure washer to clean your boat.

- Use an air compressor or a can of compressed air to dry the boat and help remove any water that may have gotten into small crevices or corners.
- Spray the bearings, fasteners and other metal parts with a water-displacing light oil or lubricant.
- Let the boat air dry before you store it. Water (and oil) may continue to drip for a few hours.

Specifications

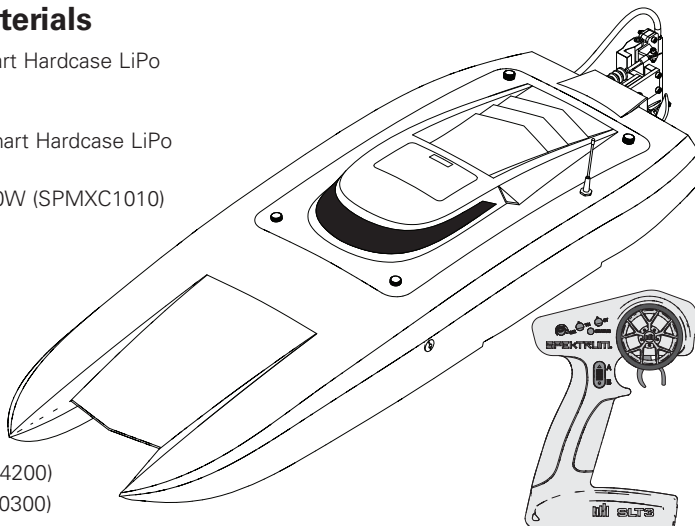
Length	29 in (736.6mm)
Height	4.25 in (108mm)
Transmitter	Spektrum™ SLT3 2.4GHz
Receiver	Spektrum™ SR315 3-CH DSMR®
Hull Material	Fiberglass
Motor	2000Kv 6-Pole 3650 Marine Motor (DYNAM3831)
ESC	120A BL Marine ESC 2-6S (DYNAM3875)
Servo	3KG, Plastic Gear Servo, WP, 23T (SPMS603)

Tip: 4 AA batteries (sold separately) are required to operate the transmitter.



Recommended Tools and Materials

- (2) Spektrum 7.4V 5000mAh 2S 100C Smart Hardcase LiPo Battery: IC5 (SPMX50002S100H5)
-or-
(2) Spektrum 11.1V 5000mAh 3S 100C Smart Hardcase LiPo Battery: IC5 (SPMX50003S100H5)
- Spektrum Smart S2100 AC Charger, 2x100W (SPMXC1010)
- Needle nose pliers
- Paper towel
- Rubbing alcohol
- Open-end wrench: 10mm (2)
- Nut driver: 4mm, 7mm, 8mm
- Phillips screwdriver: #1
- Hex wrench: 1.5mm, 2mm, 2.5mm, 3mm
- Clear tape (DYNM0102)
- Dynamite® Marine Grease and Gun (DYNE4200)
- Hook and Loop Tape Set, WP 4pcs (DYNK0300)

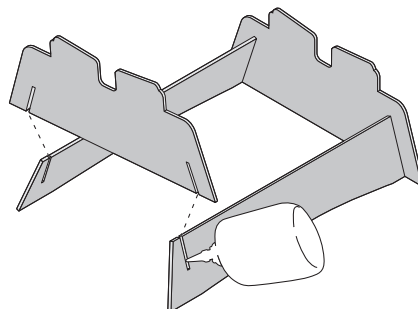


Product Inspection

Carefully remove the boat and radio transmitter from the box. Inspect the boat for damage. If your product is damaged, please contact the hobby shop where you purchased your boat, or contact Horizon Hobby Product Support. Refer to the Warranty and Service Contact Information section for more info.

Boat Stand Assembly

1. Attach the side stand pieces to the end pieces as shown.
2. Use medium CA or epoxy adhesive to secure the side stand to the ends.
3. Allow the adhesive to dry before placing your boat on the stand.

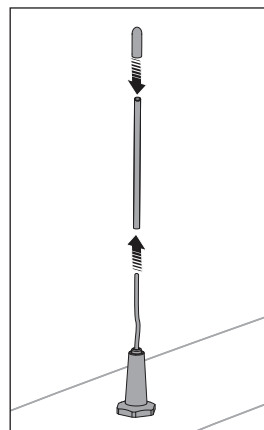


Antenna Tube Installation

1. Carefully feed the end of the receiver antenna through the grommet inside the hull.
2. Pull the antenna wire out of the grommet toward the outside of the boat, then slide the antenna through the antenna tube.
3. Insert the tube into the grommet, then fit the cap onto the tube.
4. Slide the clear 20mm silicone cooling line over the grommet and hull and install the tube into the silicone cooling line.

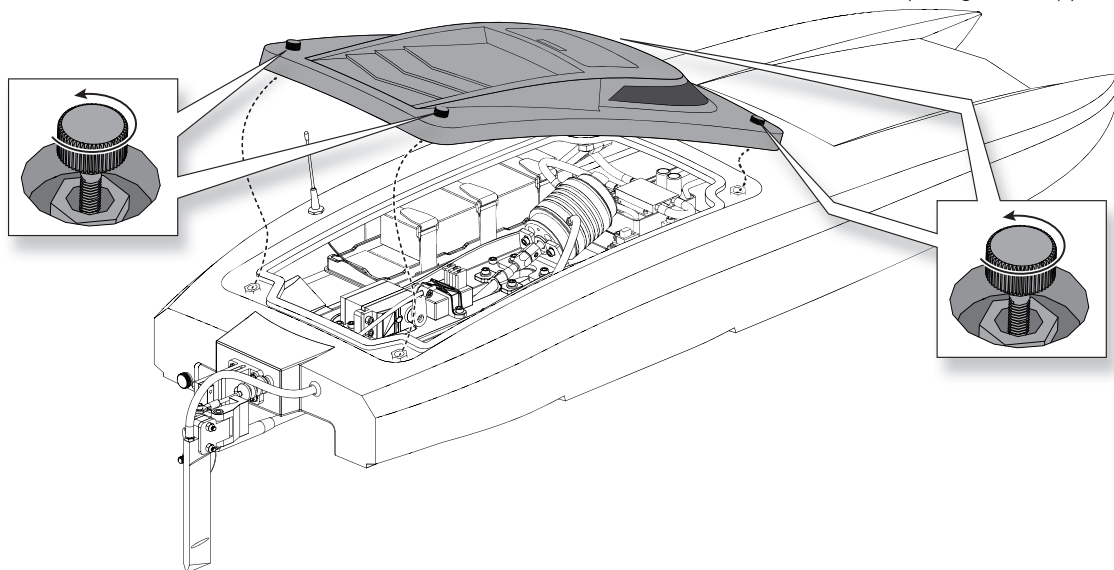
The antenna must be installed above the boat's waterline to get the best reception of your transmitter's signal.

NOTICE: Do not cut or kink the receiver antenna or damage may result.



Canopy Removal

1. Loosen the 4 screws located at each corner of the canopy.
2. Remove the canopy from the hull starting with the 2 rear screws. Ensure that the 4 screws have disengaged from their bases before carefully lifting the canopy.



Installing the Battery Packs

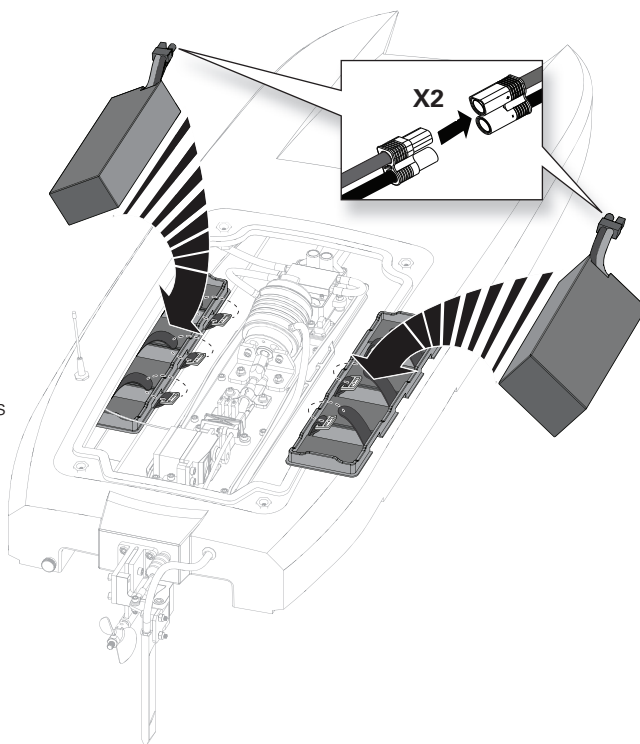
The included electronics are rated for 2S–6S LiPo batteries; however, running the stock propeller nonstop on a 6S battery could overheat your electronics or damage your batteries. If you run the stock propeller on 6S, we recommend using full throttle on straight line passes only. Return passes should be at half throttle to reduce the heat of the electronics. If you want to run 6S nonstop, use optional propellers (PRB282006 or PRB282027).

1. Install the 2 battery packs on the left and right sides of the boat hull. Secure the batteries with the included hook and loop straps. When running your boat in rough water, use Waterproof Hook and Loop Tape (DYNK0300) between the batteries and the battery tray to secure the batteries more fully.

Tip: Place the batteries as far back in the battery trays as possible to achieve maximum speed and handling. If water and wind conditions are too strong, stabilize the boat by moving the battery packs forward 1/4 inch at a time.

2. Connect each battery pack to the ESC power connectors.

The included propeller provides the best performance between 4S (14.8V) and 5S LiPo (18.5v). 5S configuration can be achieved by mounting a 3S LiPo (DYNB3811EC) on the left side of the boat and a 2S, LiPo (DYNB3810EC) on the right side of the boat. The added weight of the 3S battery on the left side will counteract torque twist caused by the propeller spinning at high RPM.



WARNING: When using 2 batteries in series, always make sure they are in roughly the same condition (age) and they have the same capacity (mAh) and discharge rate (C rating). Failure to do so may cause damage to your batteries, potentially causing a fire.

Transmitter Functions

Specifications

Power Supply: 4 AA Batteries

Operating Frequency: 2.4GHz

Transmit Power: <100mw

Control Protocol: SLT

Control: Proportional Steering and Throttle/Brake with Trim Knobs, Third Channel with 3 Position Momentary Switch

Auxiliary Functions: 3 Position Throttle Limit Switch, Steering Rate Knob to Change Steering Travel on-the-fly, Programmable Servo Travel for Steering and Throttle/Brake

A. Throttle Trim

Adjusts the throttle neutral point

B. Steering Trim

Adjusts the steering center point. Normally, the steering trim is adjusted until the vehicle tracks straight.

C. LED

- Solid red lights: Indicates the power is ON and adequate battery power
- Flashing red lights: Indicates the battery voltage is critically low. Replace batteries

D. Steering Wheel

E. Throttle/Brake

F. Steering Rate

On-The-Fly knob for travel adjustment on the steering

G. Channel 3

3 position momentary switch, middle position is neutral
For programming press up for A button, press down for B button

H. Throttle Limit

Limits throttle output to 50/75/100%

Select 50% or 75% for less experienced drivers or when you are driving the vehicle in a small area.

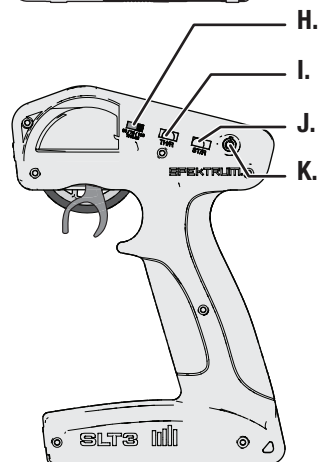
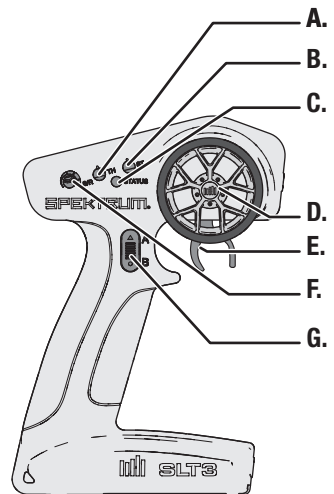
I. Throttle (TH) Servo Reversing

Move the switch to reverse the throttle channel

J. Steering (ST) Servo Reversing

Move the switch to reverse the steering channel

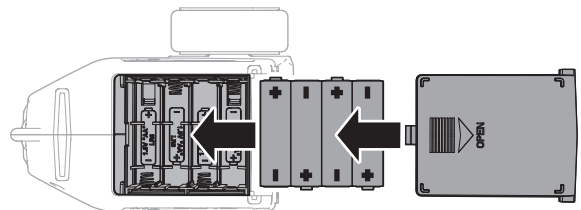
K. Power Button



Installing the transmitter Batteries

This transmitter requires 4 AA batteries.

1. Remove the battery cover from the transmitter.
2. Install the batteries as shown.
3. Install the battery cover.



CAUTION: If using rechargeable batteries, charge only rechargeable batteries. Charging non-rechargeable batteries may cause the batteries to burst, resulting in injury to persons and/or damage to property.



CAUTION: Risk of explosion if battery is replaced by an incorrect type. Dispose of used batteries according to national regulations.

Factory Reset

There is a hidden mode if you want to reset the servo travel and calibration in the transmitter.

1. Hold full left and full brake while powering the transmitter ON to put the transmitter into programming mode. The LED will flash 4 times then turns OFF to indicate factory reset.
2. Release the wheel and throttle trigger back to neutral and the LED will illuminate to indicate factory reset is complete.
3. Power the transmitter OFF.

Battery Charger

Choose a charger designed to charge the recommended (2) Spektrum 7.4V 5000mAh 2S 100C Smart Hardcase LiPo Battery: IC5 (SPMX50002S100H5), or (2) Spektrum 11.1V 5000mAh 3S 100C Smart Hardcase LiPo Battery: IC5 (SPMX50003S100H5). We recommend the Spektrum Smart S2100 AC Charger, 2x100W (SPMXC1010).

Refer to your charger manual for charging instructions and safety information.

NOTICE: Never charge a battery in the boat or damage may result.

Low Voltage Cutoff (LVC)

Discharging a Li-Po battery below 3V per cell may damage your battery. The included ESC protects the boat battery from over-discharge using Low Voltage Cutoff (LVC). Before the battery charge decreases too much, LVC removes power supplied to the motor. Power to the motor pulses, showing that some battery power is reserved for boat control and safe landing.

Disconnect and remove the Li-Po battery from the boat after use to prevent trickle discharge. Charge your Li-Po battery to about half capacity before storage. During storage, make sure the battery charge does not fall below 3V per cell. LVC does not prevent the battery from over-discharge during storage.

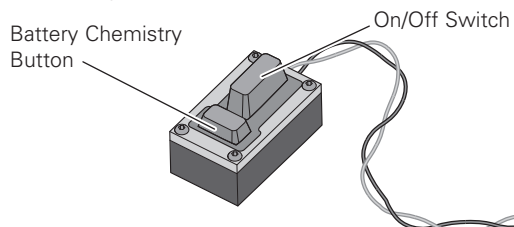
NOTICE: Repeated operation to LVC will damage the battery.

Tip: Monitor your boat battery's voltage before and after boating by using a Spektrum XBC100 Smart Battery Checker & Servo Driver (SPMXBC100, sold separately).

Battery Chemistry

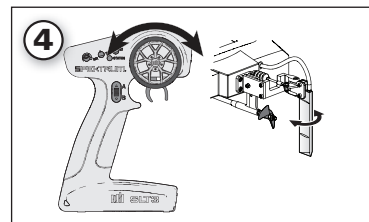
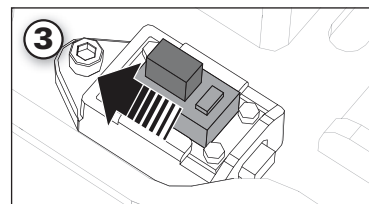
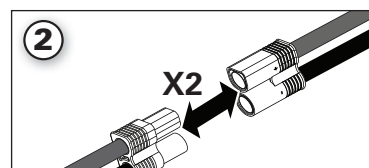
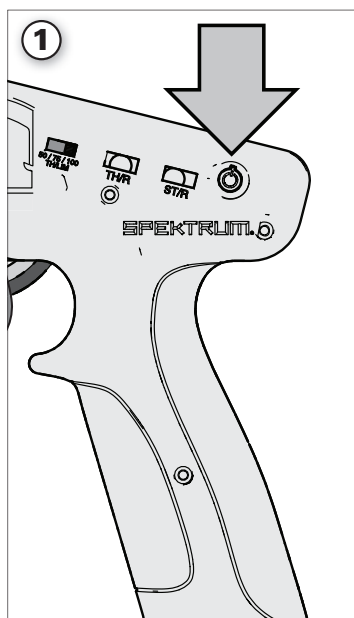
The ESC comes from the factory in Li-Po Mode. To change battery chemistry:

1. Keep the throttle at neutral and power ON the ESC.
2. Press and hold the Battery Chemistry Button on the power switch for 3 seconds. The LED flashes the current battery chemistry (red = Ni-MH or Ni-Cd; green = Li-Po).
3. Continue holding the Battery Chemistry Button for another 6 seconds. The ESC changes battery chemistry and the LED flashes the new battery chemistry.
4. Power OFF the ESC. The ESC saves the setting until it is changed.



Getting Started

1. Power on the transmitter.
2. Connect the two batteries to the EC5™ connectors on the ESC.
3. Power on the ESC switch. The ESC arming tones will sound.
4. Test the transmitter's control of the boat with the boat on the display stand.



SPMSR315 Dual Protocol Receiver

Specifications

Type: Dual Protocol 3 Ch Receiver* (SLT/DSMR)

Dimensions (LxWxH): 32.5 x 21.5 x 12.4mm

Antenna Length: 90mm

Channels: 3

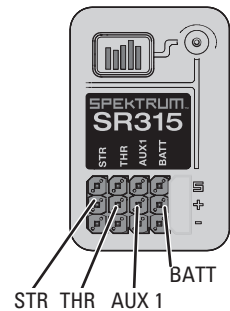
Weight: 6g

Band: 2.4GHz

Voltage Range: 3.5–9.6V

Bind Type: Bind Button

Failsafe: Hold the steering wheel and throttle trigger in the desired failsafe positions during binding



*SPMSR315 receivers included with the SLT3 transmitter include SLT and DSMR compatibility. If you have an SR315 receiver that was purchased by itself, you may need to install a firmware update to make your SR315 SLT compatible.

Receiver Antenna

The SR315 receivers feature a coaxial antenna design for easy installation in almost any model. Think of the last 1 inch (32mm) on the tip of the antenna as the active portion of the antenna, the coaxial portion leading up to it is just an extension. Install the antenna so the active portion is positioned as high as possible in the vehicle, and not "in the shadow" of any carbon fiber or metal. The case of the receiver can accept an antenna tube directly, making optimal antenna placement easy (antenna tube not included).



WARNING: Do not kink, cut or damage the antenna wire. The antenna is made of a coaxial wire; if the outer sheath becomes damaged, the receiver will not work properly. If the antenna is damaged in any way, replace the antenna before attempting to use the receiver.

Binding

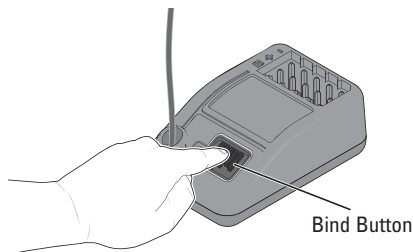
Binding is the process of programming the receiver to recognize the GUID (Globally Unique Identifier) code of a single specific transmitter.

1. Press and hold the bind button, and Power ON the receiver; the orange LED will begin to flash.
2. Set the trims and control positions at the desired failsafe settings, and power ON the SLT3 transmitter.
3. When the orange LED on the SLT3 transmitter remains lit, it is connected to SR315 receiver.

You must rebind when:

- Different failsafe positions are desired e.g., when throttle or steering reversing has been changed.

Binding the receiver to a different transmitter.



Failsafe

In the unlikely event that the radio connection is lost during use, the receiver will drive the servos to their pre-programmed failsafe positions as set during Binding.

If the receiver is powered on before powering on the transmitter, the receiver will enter this failsafe mode. When the transmitter is powered on, normal control is resumed.

IMPORTANT: Failsafe activates only in the event that signal is lost from the transmitter. Failsafe will NOT activate in the event that receiver battery power decreases below the recommended minimums or power to the receiver is lost.

Servo Travel

The servo travel on the Steering and Throttle channels can be adjusted through a special programming mode in the transmitter.

1. Begin with the transmitter binding process to the receiver complete. Power ON the receiver.
2. Hold full right and full brake while powering the transmitter ON to put the transmitter into programming mode. The LED on the transmitter will flash 4 times to indicate it is in programming mode.
3. Turn and hold the wheel full left to set the travel limit for that direction, Press the A button to increase travel, press the B button to reduce travel. The LED will flash once with every change. Return the wheel to center to set the travel value.

IMPORTANT: If the value has reached the maximum or minimum that can be accepted, the LED will not flash with further input.

4. Turn the wheel to the right and repeat the process to set the steering travel to the right.
5. For electric vehicles, power the Transmitter OFF to save the settings. Calibrate your ESC to the default throttle travel.
6. For fuel powered vehicles, set the throttle travel without the engine running; After setting steering travel, you can set throttle travel with the same process. Pull and hold full throttle, adjust travel with the A and B buttons, return to center to set the value.
7. Push full brake, adjust travel with the A and B buttons, return to center
8. Power the transmitter OFF to save the values.

Control Check

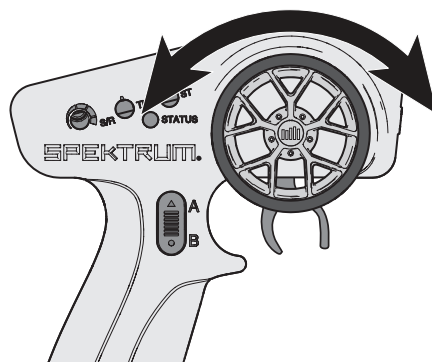
IMPORTANT: Perform a control check at the beginning of each boating session, after repair or after installation of new batteries.

Ensure the receiver antenna is extended properly and all batteries are fully charged.

1. Power ON the transmitter and the boat. **Do not install the boat canopy.**
2. Place the boat securely on the boat stand.

NOTICE: Do not operate the engine without water cooling circulation or damage may result.

3. Check steering and throttle on the transmitter.



Testing Your Boat in the Water

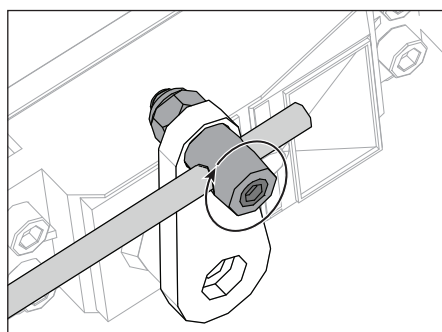
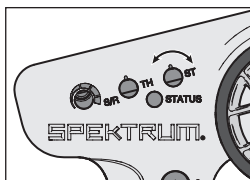
Tip: Before placing your boat in the water, secure the canopy on the hull. Apply clear tape (DYNM0102) around the canopy seam, if desired.

1. Carefully place the boat in the water.
2. Operate the boat at slow speeds near the shoreline. Avoid objects in the water at all times. When the boat is moving forward, ensure water flows out of the coolant outlet. Remove any blockage from the rudder inlet and coolant system or the motor and ESC (electronic speed control) may overheat.
3. Once you are comfortable operating the boat at slow speeds, it is safe to operate the boat farther from the shore.
4. If the boat does not go straight, adjust the steering trim dial on the transmitter.

Tip: If you are using excessive steering trim on your transmitter to make the boat drive straight, return the trim to neutral and mechanically center the rudder. To do this, use a 1.5mm hex driver to loosen the set screw holding the push rod to the servo. Adjust the linkage in or out of the brass barrel until the rudder is centered. Tighten the set screw using a 1.5mm hex driver.

5. Bring the boat back to shore when you notice the boat starting to lose speed.
6. Power off the ESC and disconnect the battery packs.
7. Allow the motor, ESC and battery packs to cool before charging the batteries or operating the boat again.

NOTICE: Always power OFF the receiver before powering OFF the transmitter. If the transmitter is powered OFF before the receiver, the receiver will enter failsafe mode.



Boating Tips

When running your boat for the first time, we recommend calm wind and water conditions so that you can learn how the boat responds to your control.

Maximum speeds are only achieved when the water conditions are smooth and there is little wind. A sharp turn, wind or waves can turn over a boat when it is moving quickly. Always pilot your boat for the wind and water conditions so that the boat does not turn over.

Tip: Use Clear Flexible Marine Tape (DYNM0102) around the canopy when running your boat in rough water.

Consult local laws and ordinances before choosing a location to pilot your boat.

Avoid boating near:

- watercraft
- people (swimming areas, fishing areas)
- stationary objects
- waves, wakes
- rapidly moving water
- wildlife
- floating debris
- overhanging trees
- vegetation

If the propeller and rudder are blocked with debris or vegetation, remove the boat from the water and remove the debris before continuing operation.

When making turns, decrease the throttle to reduce the probability of flipping the boat over. If necessary, adjust your steering input to decrease sensitivity.

Never operate your boat in less than 12 inches (30.5 cm) of water.

If you need to retrieve your boat from the water, use fishing equipment or another boat.

NOTICE: When running at full speed in choppy waters, the prop may exit and re-enter the water repeatedly and very quickly, subjecting the propeller and flex shaft to some stress. Frequent stress may damage the propeller and flex shaft.



CAUTION: Never operate your boat in extreme temperatures or turbulent water.

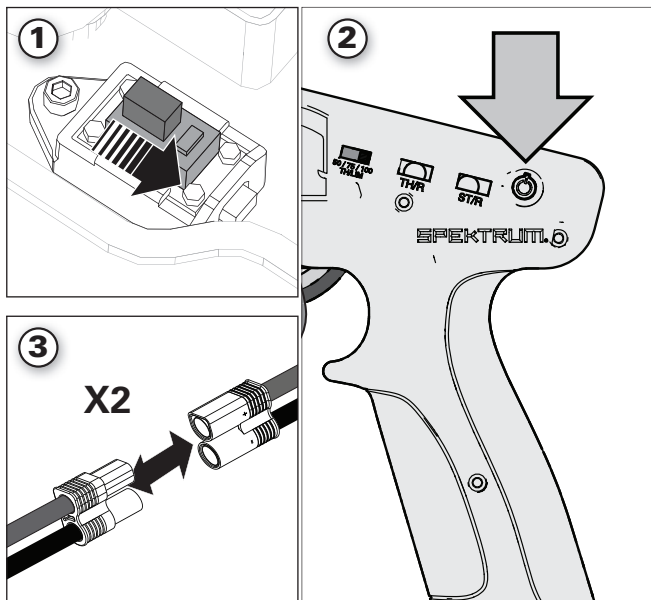


CAUTION: Never attempt to retrieve a downed boat by swimming.

When You Are Finished

1. Power off the receiver.
2. Power off the transmitter.
3. Disconnect and remove the batteries from the boat.

Tip: Always remove the canopy before storage or moisture may allow mold and mildew to grow in the boat.

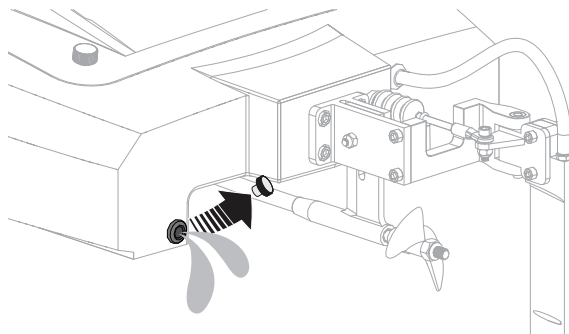


After Boating and Maintenance

- Drain water from inside the hull using the drain plug
- Fully dry the inside and outside of the boat, including the water cooling lines and jacket around the motor. Remove the hatch before storing your boat
- Repair any damage or wear to the boat
- Lubricate the flex shaft using Pro Boat Marine Grease (DYNE4200)
- Make note of lessons learned from the trimming of your boat, including water and wind conditions

Tip: The hook and loop strips in the boat retain water. To dry them, press on them with a dry cloth.

NOTICE: When you are finished boating, never leave the boat in direct sunlight or in a hot, enclosed area such as a car. Doing so can damage the boat.



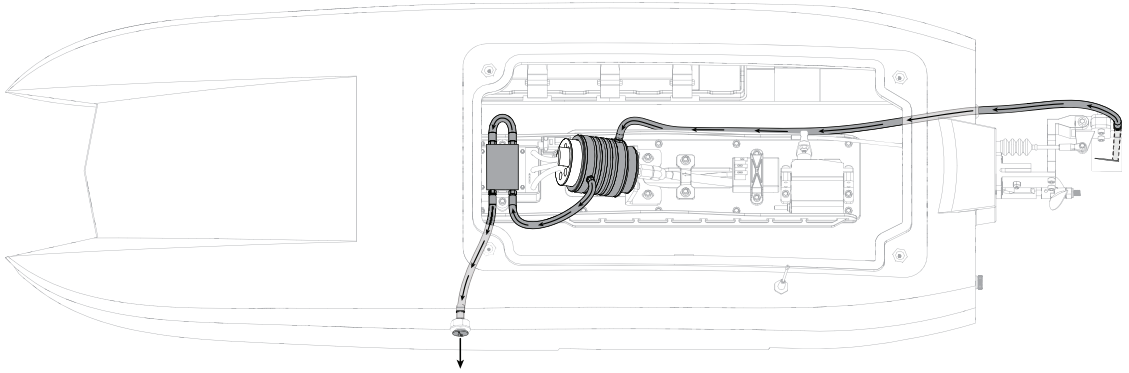
Motor Care

- Prolong motor life by preventing overheating conditions. Undue motor wear results from frequent turns, stops and starts, pushing objects, boating in rough water or vegetation and boating continuously at high speed.
- Over-temperature protection is installed on the ESC to prevent circuit damage, but cannot protect the motor from excessive physical resistance.
- Use Dynamite Precision Oiler (DYNE0100) to service the motor's bearings. If the bearings get wet, use water displacement fluid then oil the bearings to prevent rust or seizure.

Water Cooling System

If water does not stream out of the water outlets while the boat is moving forward, immediately return the boat to shore and clean any obstructions or remove kinks from the water cooling lines/system.

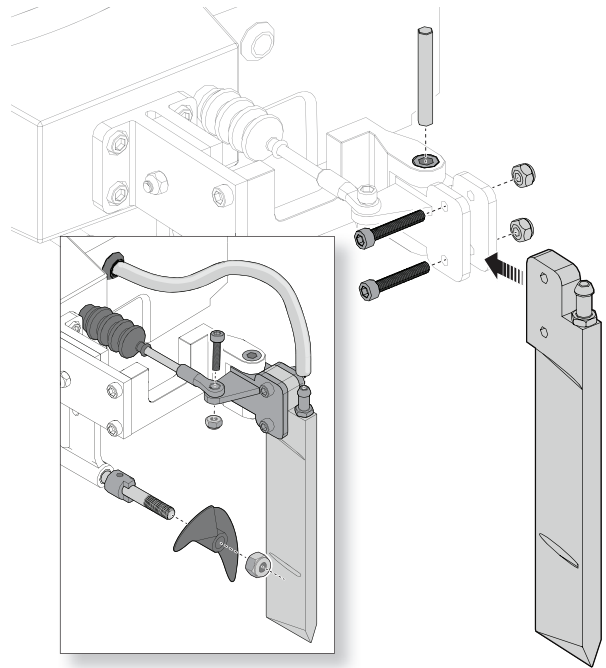
1. Disassemble and clean the water cooling system to remove blockage and prevent overheating.
2. Replace damaged parts.



Rudder Service

1. Disconnect the water tube from the rudder.
2. Remove the nut, screw and linkage from the rudder arm.
3. Turn the rudder and loosen the set screw from the rudder pin.
4. Turn over the boat and lightly tap the rudder to remove the pin.
5. Assemble in reverse order.

Tip: Use a Nylon Breakaway Screw (PRB285000) as a replacement for the rudder breakaway bolt.



Propeller Service

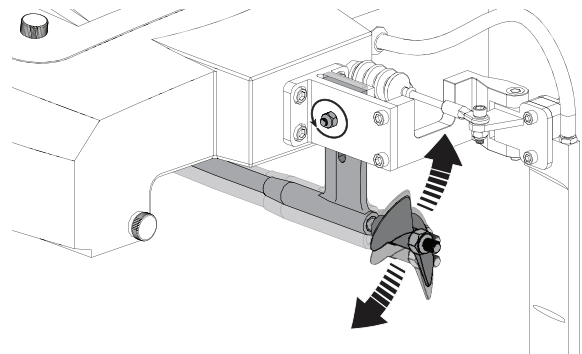
1. Use an 8mm nut driver (DYN2805) to loosen the nut from the driveshaft. To secure the propeller while loosening the nut, hold the propeller.
2. Remove the nut and propeller from the driveshaft.
3. Assemble in reverse order. Correctly align the propeller with the drive dog on the driveshaft.

Propeller Strut Depth Adjustment

Raising the propeller strut increases speed but decreases handling.

Lowering the propeller strut increases stability but decreases speed.

1. Use a 3 mm hex driver and 7mm open-end wrench to loosen the propeller strut bolt.
2. Slide the strut up or down to change the angle of the propeller in relation to the hull.
3. Once desired strut depth is achieved, tighten the nuts and bolts.



Drivetrain Lubrication

Always replace the drivetrain parts when they are damaged or show visible wear or injury and damage may result.

Lubricating the flex shaft is vital to the life of the drivetrain. The lubricant also acts as a water seal, keeping water from entering the hull through the stuffing tube.

Lubricate the flex shaft and propeller strut after every 30 minutes of operation and/or everytime you change the batteries.

1. Inside the hull, use 2 10mm open-end wrenches to loosen the collet nut from the flex shaft.
2. Slide the flex shaft out from the stuffing tube and drive strut at the rear of the boat.
3. Wipe the old lubricant and material from the flex shaft.

Tip: Use motor spray (DYN5500) to break down the grease buildup.

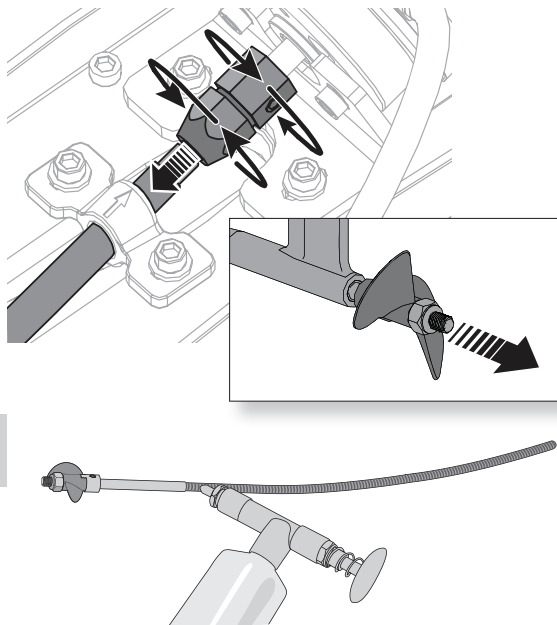
4. Lubricate the full length of the flex shaft assembly up to the drive dog using Dynamite Marine Grease (DYNE4200). Also apply grease to the collet threads.
5. Carefully reinstall the flex shaft in the drive strut, stuffing tube and collet. If the flex shaft is difficult to remove from (or install into) the collet, rotate the flex shaft to the right while pulling it from (or inserting it into) the collet.

NOTICE: Do not rotate the flex shaft to the left inside the coupler.

Ensure there is a 2mm gap between the drive strut and drive dog to allow for flex shaft shrinkage under load.

NOTICE: Running the boat in saltwater could cause some parts to corrode. If you run the boat in saltwater, rinse it thoroughly in freshwater after each use and lubricate the drive system.

NOTICE: Because of its corrosive effects, running RC boats in saltwater is at the discretion of the modeler.



Transmitter Programming

1. Pull and hold the Throttle Trigger to full throttle and turn the ESC on.
2. After 2 seconds a “-B-B” will sound. Wait another 5 seconds and the ESC will give a rising tone to indicate you have entered **Programming Mode**.
3. After entering Programming Mode, you will hear 4 tones in a loop indicating **Programmable Items**. Push the Throttle Trigger to full brake within 3 seconds after the tone sounds matching the programmable item you want to select.
4. After selecting a programmable item, you will hear several tones in a loop indicating **Programmable Values**. Pull Throttle Trigger to full throttle to select the value matching the tone. The ESC will give an alternating tone to indicate the item is selected.
5. Keep the trigger in Full Throttle to return to **Step 3** and continue item selection. Move the throttle stick to full brake position within 2 seconds to exit the Program Mode.

The black-shaded setting is the factory default

Programmable Items	Programmable Value				-B Single Beep		B— Long Beep	
	-B	-B-B	-B-B-B	-B-B-B-B	B—	B— -B	B— -B-B	B— -B-B-B
Running Mode -B	Forward Only	Forward/ Backward						
Li-Po Cells -B-B	Auto Calc.	2s	3s	4s	5s	6s		
Low Voltage Cutoff -B-B-B	None	2.8V/Cell	3.0V/ Cell	3.2V/Cell	3.4V/ Cell			
Timing -B-B-B-B	0.00°	3.75°	7.50°	11.25°	15.00°	18.75°	22.50°	26.25°



Troubleshooting Guide

Problem	Possible Cause	Solution
Boat will not respond to throttle but responds to other controls	Throttle channel is reversed	Reverse throttle channel on transmitter
Extra noise or extra vibration	Damaged propeller, shaft or motor	Replace damaged parts
	Propeller is out of balance	Balance or replace propeller
Reduced runtime or boat underpowered	Boat battery charge is low	Completely recharge battery
	Boat battery is damaged	Replace boat battery and follow battery instructions
	Blocking or friction on shaft or propeller	Disassemble, lubricate and correctly align parts
	Boat conditions may be too cold	Make sure the battery is warm (above 10° C [50° F]) before use
	Battery capacity may be too low for conditions	Replace battery or use a larger capacity battery
	Too little lubrication on driveshaft	Fully lubricate driveshaft
	Vegetation or other obstacles block the propeller	Remove vegetation or obstacles from propeller
Boat will not Bind (during binding) to transmitter	Transmitter is too near boat during binding process	Move powered transmitter a few feet from boat, disconnect and reconnect battery to boat
	Boat or transmitter is too close to large metal object, wireless source or another transmitter	Move the boat and transmitter to another location and attempt binding again
	Another compatible transmitter in bind mode within range of the receiver	Power off all compatible transmitters except the one you are trying to bind
	Boat battery/transmitter battery charge is too low	Replace/recharge batteries
	ESC switch is off	Power on ESC switch
Boat will not connect (after binding) to transmitter	Transmitter is too near boat during connecting process	Move powered transmitter a few feet from boat, disconnect and reconnect battery to boat
	Boat or transmitter is too close to large metal object, wireless source or another transmitter	Move boat or transmitter to another location and attempt to connect again
	Boat battery/transmitter battery charge is too low	Replace/recharge batteries
	ESC switch is off	Power on ESC switch
Boat tends to dive in the water or takes on water	The boat hull is not completely closed	Dry out the boat and ensure the hatch is fully closed on the hull before returning the boat to the water
	Center of gravity is too far forward	Move batteries back in the hull
Controls reversed	Transmitter settings are reversed	Do the Control Direction Test and adjust controls on transmitter appropriately
Motor overheats	Blocked water cooler lines	Clean, unkink or replace water lines
Motor power pulses then motor loses power	Weather conditions might be too cold	Postpone until weather is warmer
	Battery is old, worn out or damaged	Replace battery
Boat moves forward or backward without input from user	Throttle trim on transmitter not centered	Adjust throttle trim to center (12 o'clock)
Boat does not drive straight	Steering trim on transmitter not centered	Adjust steering trim so vehicle drives straight
No steering or lack of steering	Steering rate not adjusted correctly	Adjusts steering rate (ST RATE) knob on transmitter to desired steering throw
	Servo failed	Contact Horizon Product Support
No throttle or lack of throttle	ESC failed	Contact Horizon Product Support
	Motor failed	Contact Horizon Product Support
ESC emits a continues tone when powered on	Throttle trim not centered	Center throttle trim on transmitter

Limited Warranty

What this Warranty Covers

Horizon Hobby, LLC, (Horizon) warrants to the original purchaser that the product purchased (the "Product") will be free from defects in materials and workmanship at the date of purchase.

What is Not Covered

This warranty is not transferable and does not cover (i) cosmetic damage, (ii) damage due to acts of God, accident, misuse, abuse, negligence, commercial use, or due to improper use, installation, operation or maintenance, (iii) modification of or to any part of the Product, (iv) attempted service by anyone other than a Horizon Hobby authorized service center, (v) Product not purchased from an authorized Horizon dealer, or (vi) Product not compliant with applicable technical regulations or (vii) use that violates any applicable laws, rules, or regulations.

OTHER THAN THE EXPRESS WARRANTY ABOVE, HORIZON MAKES NO OTHER WARRANTY OR REPRESENTATION, AND HEREBY DISCLAIMS ANY AND ALL IMPLIED WARRANTIES, INCLUDING, WITHOUT LIMITATION, THE IMPLIED WARRANTIES OF NON-INFRINGEMENT, MERCHANTABILITY AND FITNESS FOR A PARTICULAR PURPOSE. THE PURCHASER ACKNOWLEDGES THAT THEY ALONE HAVE DETERMINED THAT THE PRODUCT WILL SUITABLY MEET THE REQUIREMENTS OF THE PURCHASER'S INTENDED USE.

Purchaser's Remedy

Horizon's sole obligation and purchaser's sole and exclusive remedy shall be that Horizon will, at its option, either (i) service, or (ii) replace, any Product determined by Horizon to be defective. Horizon reserves the right to inspect any and all Product(s) involved in a warranty claim. Service or replacement decisions are at the sole discretion of Horizon. Proof of purchase is required for all warranty claims. SERVICE OR REPLACEMENT AS PROVIDED UNDER THIS WARRANTY IS THE PURCHASER'S SOLE AND EXCLUSIVE REMEDY.

Limitation of Liability

HORIZON SHALL NOT BE LIABLE FOR SPECIAL, INDIRECT, INCIDENTAL OR CONSEQUENTIAL DAMAGES, LOSS OF PROFITS OR PRODUCTION OR COMMERCIAL LOSS IN ANY WAY, REGARDLESS OF WHETHER SUCH CLAIM IS BASED IN CONTRACT, WARRANTY, TORT, NEGLIGENCE, STRICT LIABILITY OR ANY OTHER THEORY OF LIABILITY, EVEN IF HORIZON HAS BEEN ADVISED OF THE POSSIBILITY OF SUCH DAMAGES. Further, in no event shall the liability of Horizon exceed the individual price of the Product on which liability is asserted. As Horizon has no control over use, setup, final assembly, modification or misuse, no liability shall be assumed nor accepted for any resulting damage or injury. By the act of use, setup or assembly, the user accepts all resulting liability. If you as the purchaser or user are not prepared to accept the liability associated with the use of the Product, purchaser is advised to return the Product immediately in new and unused condition to the place of purchase.

Law

These terms are governed by Illinois law (without regard to conflict of law principals). This warranty gives you specific legal rights, and you may also have other rights which vary from state to state. Horizon reserves the right to change or modify this warranty at any time without notice.

WARRANTY SERVICES

Questions, Assistance, and Services

Your local hobby store and/or place of purchase cannot provide warranty support or service. Once assembly, setup or use of the Product has been started, you must contact your local

distributor or Horizon directly. This will enable Horizon to better answer your questions and service you in the event that you may need any assistance. For questions or assistance, please visit our website at www.horizonhobby.com, submit a Product Support Inquiry, or call the toll free telephone number referenced in the Warranty and Service Contact Information section to speak with a Product Support representative.

Inspection or Services

If this Product needs to be inspected or serviced and is compliant in the country you live and use the Product in, please use the Horizon Online Service Request submission process found on our website or call Horizon to obtain a Return Merchandise Authorization (RMA) number. Pack the Product securely using a shipping carton. Please note that original boxes may be included, but are not designed to withstand the rigors of shipping without additional protection. Ship via a carrier that provides tracking and insurance for lost or damaged parcels, as Horizon is not responsible for merchandise until it arrives and is accepted at our facility. An Online Service Request is available at http://www.horizonhobby.com/content/service-center_render-service-center. If you do not have internet access, please contact Horizon Product Support to obtain a RMA number along with instructions for submitting your product for service. When calling Horizon, you will be asked to provide your complete name, street address, email address and phone number where you can be reached during business hours. When sending product into Horizon, please include your RMA number, a list of the included items, and a brief summary of the problem. A copy of your original sales receipt must be included for warranty consideration. Be sure your name, address, and RMA number are clearly written on the outside of the shipping carton.

NOTICE: Do not ship Li-Po batteries to Horizon. If you have any issue with a Li-Po battery, please contact the appropriate Horizon Product Support office.

Warranty Requirements

For Warranty consideration, you must include your original sales receipt verifying the proof-of-purchase date. Provided warranty conditions have been met, your Product will be serviced or replaced free of charge. Service or replacement decisions are at the sole discretion of Horizon.

Non-Warranty Service

Should your service not be covered by warranty, service will be completed and payment will be required without notification or estimate of the expense unless the expense exceeds 50% of the retail purchase cost. By submitting the item for service you are agreeing to payment of the service without notification. Service estimates are available upon request. You must include this request with your item submitted for service. Non-warranty service estimates will be billed a minimum of ½ hour of labor. In addition you will be billed for return freight. Horizon accepts money orders and cashier's checks, as well as Visa, MasterCard, American Express, and Discover cards. By submitting any item to Horizon for service, you are agreeing to Horizon's Terms and Conditions found on our website http://www.horizonhobby.com/content/service-center_render-service-center.

ATTENTION: Horizon service is limited to Product compliant in the country of use and ownership. If received, a non-compliant Product will not be serviced. Further, the sender will be responsible for arranging return shipment of the un-serviced Product, through a carrier of the sender's choice and at the sender's expense. Horizon will hold non-compliant Product for a period of 60 days from notification, after which it will be discarded.



Warranty and Service Contact Information

Country of Purchase	Horizon Hobby	Phone Number/Email Address	Address
North America	Horizon Service Center (Repairs and Repair Requests)	servicecenter.horizonhobby.com/ RequestForm/	2904 Research Rd Champaign, Illinois, 61822 USA
	Horizon Product Support (Product Technical Assistance)	productsupport@horizonhobby.com 877-504-0233	
	Sales	websales@horizonhobby.com 800-338-4639	
European Union	Horizon Technischer Service	service@horizonhobby.eu	Hanskampring 9 D 22885 Barsbüttel, Germany
	Sales: Horizon Hobby GmbH	+49 (0) 4121 2655 100	

FCC Information:

FCC ID: BRWSPMLT300

FCC ID: BRWSRIRVINGV1

FCC This device complies with part 15 of the FCC Rules. Operation is subject to the following two conditions: (1) This device may not cause harmful interference, and (2) this device must accept any interference received, including interference that may cause undesired operation.



CAUTION: Changes or modifications not expressly approved by the party responsible for compliance could void the user's authority to operate the equipment.

NOTE: This equipment has been tested and found to comply with the limits for a Class B digital device, pursuant to part 15 of the FCC Rules. These limits are designed to provide reasonable protection against harmful interference in a residential installation. This equipment generates, uses and can radiate radio frequency energy and, if not installed and used in accordance with the instructions, may cause harmful interference to radio communications. However, there is no guarantee that interference will not occur in a particular installation. If this equipment does cause harmful interference to radio or television reception, which can be determined by turning the equipment off and on, the user is encouraged to try to correct the interference by one or more of the following measures:

- Reorient or relocate the receiving antenna.
- Increase the separation between the equipment and receiver.
- Connect the equipment into an outlet on a circuit different from that to which the receiver is connected.
- Consult the dealer or an experienced radio/TV technician for help.

Horizon Hobby, LLC
2904 Research Rd.,
Champaign, IL 61822
Email: compliance@horizonhobby.com
Web: HorizonHobby.com

IC Information

IC: 6157A-SPMLT300

IC: 6157A-SRIRVINGV1

CAN ICES-3 (B)/NMB-3(B)

This device contains license-exempt transmitter(s)/receiver(s) that comply with Innovation, Science, and Economic Development Canada's license-exempt RSS(s). Operation is subject to the following 2 conditions:

1. This device may not cause interference.
2. This device must accept any interference, including interference that may cause undesired operation of the device.

CE EU Compliance Statement: Hereby, Horizon Hobby, LLC declares that the device is in compliance with the following:

EU Radio Equipment Directive 2014/53/EU;

RoHS 2 Directive 2011/65/EU

RoHS 3 Directive - Amending 2011/65/EU Annex II 2015/863

The full text of the EU declaration of conformity is available at the following internet address: <https://www.horizonhobby.com/content/support-render-compliance>.

Wireless Frequency Range and Wireless Output Power SLT3 Transmitter

Max EIRP: 16.3

Frequency Range: 2403-2480MHz

SR315 Receiver

Max EIRP: -1.33dBm

Frequency Range: 2404-2476MHz

EU Manufacturer of Record:

Horizon Hobby, LLC
2904 Research Road
Champaign, IL 61822 USA

EU Importer of Record:

Horizon Hobby, GmbH
Hanskampring 9
22885 Barsbüttel Germany



WEEE NOTICE:

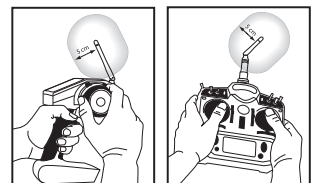
This appliance is labeled in accordance with European Directive 2012/19/EU concerning waste of electrical and electronic equipment (WEEE). This label indicates that this product should not be disposed of with household waste. It should be deposited at an appropriate facility to enable recovery and recycling.



Antenna Separation Distance

When operating your Spektrum transmitter, please be sure to maintain a separation distance of at least 5 cm between your body (excluding fingers, hands, wrists, ankles and feet) and the antenna to meet RF exposure safety requirements as determined by FCC regulations.

The following illustrations show the approximate 5 cm RF exposure area and typical hand placement when operating your Spektrum transmitter.



HINWEIS

Allen Anweisungen, Garantien und anderen zugehörigen Dokumenten sind Änderungen nach Ermessen von Horizon Hobby, LLC vorbehalten. Aktuelle Produktliteratur finden Sie unter www.horizonhobby.com oder www.towerhobbies.com im Support-Abschnitt für das Produkt.

SPEZIELLE BEDEUTUNGEN

Die folgenden Begriffe werden in der gesamten Produktliteratur verwendet, um auf unterschiedlich hohe Gefahrenrisiken beim Betrieb dieses Produkts hinzuweisen:

WARNUNG: Wenn diese Verfahren nicht korrekt befolgt werden, ergeben sich wahrscheinlich Sachschäden, Kollateralschäden und schwere Verletzungen ODER mit hoher Wahrscheinlichkeit oberflächliche Verletzungen.

ACHTUNG: Wenn diese Verfahren nicht korrekt befolgt werden, ergeben sich wahrscheinlich Sachschäden UND die Gefahr von schweren Verletzungen.

HINWEIS: Wenn diese Verfahren nicht korrekt befolgt werden, können sich möglicherweise Sachschäden UND geringe oder keine Gefahr von Verletzungen ergeben.



WARNUNG: Lesen Sie die GESAMTE Bedienungsanleitung, um sich vor dem Betrieb mit den Produktfunktionen vertraut zu machen. Wird das Produkt nicht korrekt betrieben, kann dies zu Schäden am Produkt oder persönlichem Eigentum führen oder schwere Verletzungen verursachen.

Dies ist ein hochentwickeltes Hobby-Produkt. Es muss mit Vorsicht und gesundem Menschenverstand betrieben werden und benötigt gewisse mechanische Grundfähigkeiten. Wird dieses Produkt nicht auf eine sichere und verantwortungsvolle Weise betrieben, kann dies zu Verletzungen oder Schäden am Produkt oder anderen Sachwerten führen. Versuchen Sie nicht ohne Genehmigung durch Horizon Hobby, LLC, das Produkt zu zerlegen, es mit inkompatiblen Komponenten zu verwenden oder auf jegliche Weise zu erweitern. Diese Bedienungsanleitung enthält Anweisungen für Sicherheit, Betrieb und Wartung. Es ist unbedingt notwendig, vor Zusammenbau, Einrichtung oder Verwendung alle Anweisungen und Warnhinweise im Handbuch zu lesen und zu befolgen, damit es estimmungsgemäß betrieben werden kann und Schäden oder schwere Verletzungen vermieden werden.

Altersempfehlung: Nicht für Kinder unter 14 Jahren. Dies ist kein Spielzeug.

Zusätzliche Sicherheitsvorkehrungen und Warnhinweise

Als Benutzer dieses Produkts sind Sie allein dafür verantwortlich, es so zu betreiben, dass es Sie selbst und andere nicht gefährdet und dass es zu keiner Beschädigung des Produkts oder des Eigentums Dritter kommt.

- Fassen Sie beim Handling oder Transport das Boot immer von seiten an und halten alle bewegliche Teile weg vom Körper.
- Halten Sie stets in allen Richtungen einen Sicherheitsabstand um Ihr Modell, um Zusammenstöße oder Verletzungen zu vermeiden. Dieses Modell wird von einem Funksignal gesteuert, das Interferenzen von vielen Quellen außerhalb Ihres Einflussbereichs unterliegt. Diese Interferenzen können einen kurzzeitigen Steuerungsverlust verursachen.
- Betreiben Sie Ihr Modell immer auf einer Freifläche ohne Fahrzeuge in voller Größe, Verkehr oder Menschen.
- Befolgen Sie stets sorgfältig die Anweisungen und Warnhinweise für das Modell und jegliche optionalen Hilfsgeräte (Ladegeräte, Akkupacks usw.).
- Bewahren Sie alle Chemikalien, Klein- und Elektroteile stets außerhalb der Reichweite von Kindern auf.
- Setzen Sie Geräte, die für diesen Zweck nicht speziell ausgelegt und geschützt sind, niemals Wasser aus. Feuchtigkeit kann die Elektronik beschädigen.
- Stecken Sie keinen Teil des Modells in den Mund, da dies zu schweren Verletzungen oder sogar zum Tod führen kann.
- Betreiben Sie Ihr Modell nie mit fast leeren Senderakkus.

Inhaltsverzeichnis

Spritzwassergeschütztes Boot mit wasserdichter Elektronik	17	Nach dem Fahren	23
Allgemeine Sicherheitshinweise.....	17	Wartungsarbeiten nach dem Fahren.....	24
Wartungsanleitung nach Einsatz in feuchter Umgebung	17	Binden	24
Spezifikationen	17	Failsafe.....	24
Erforderliches Werkzeug und Materialien	18	Motorpflege	24
Montage des Bootständers	18	Kühlwassersystem	25
Montage des Antennenröhrchen	18	Wartung des Ruders	25
Abnehmen der Kabinenhaube.....	19	Propellerwartung	25
Einsetzen der Akkupacks	19	Tiefeneinstellung der Propellerstrebe	25
Spektrum DX2E RC System	20	Fetten der Welle	26
Einsetzen der Senderbatterien	20	Senderprogrammierung.....	26
Akku Ladegerät	20	Problemlösung	27
Niederspannungsabschaltung (LVC)	21	Garantie und Service Informationen	28
Akkutyp wählen	21	Garantie und Service Kontaktinformationen.....	29
Starten	21	EU Konformitätserklärung	29
Kontrolle.....	22	Entsorgung in der Europäischen Union	29
Testen des Bootes im Wasser.....	22	Ersatzteile	58
Tipps zum Fahren	23	Empfohlene Teile.....	58
		Diverse Teile.....	59



Spritzwassergeschütztes Boot mit wasserdichter Elektronik

Ihr neues Horizon Hobby Boot wurde mit einer Kombination von wasserdichten und spritzwassergeschützten Komponenten entwickelt die es ihnen ermöglichen das Modell bei ruhigen Bedingungen in Süßwasser zu betreiben.

Obwohl das Boot spritzwassergeschützt ist es nicht vollständig wasserdicht und darf keines Falls wie ein U-Boot behandelt werden. Die verschiedenen elektronischen Komponenten wie der Regler, die Servos und der Empfänger sind wasserdicht, die meisten mechanische Komponenten sind aber nur spritzwassergeschützt und erfordern nach Betrieb zusätzliche Wartung.

Metallteile, inklusive der Lager, Schrauben und Muttern, Propeller, Ruder, Ruderhalter und Propellerstrebe sowie die Kontakte in den elektrischen Kabeln sind anfällig für Korrosion wenn nach dem Einsatz in feuchter Umgebung zusätzliche Wartungsarbeiten nicht durchgeführt werden. Um die Langzeitleistung ihres Bootes zu maximieren und die Garantie aufrecht zu halten müssen diese Wartungsarbeiten regelmäßig durchführen.



ACHTUNG: Unaufmerksamkeit während des Betriebes des Produktes in Zusammenhang mit den folgenden Sicherheitshinweisen kann zu Fehlfunktionen und dem Verlust der Garantie führen.

Allgemeine Sicherheitshinweise

- Bitte lesen Sie sich die Wartungsanleitung sorgfältig durch und stellen sicher, dass Sie alle Werkzeuge für eine Wartung des Bootes haben.
- Nicht alle Akkutypen sind für den Einsatz in feuchter Umgebung geeignet. Fragen Sie dazu vor dem Einsatz den Hersteller des Akkus. Besondere Aufmerksamkeit sollten Sie bei dem Einsatz von LiPo Akkus walten lassen.
- Die meisten Sender sind nicht wasserfest. Sehen Sie bitte dazu vor Inbetriebnahme in der Bedienungsanleitung ihres Senders nach oder kontaktieren Sie den Hersteller.
- Betreiben Sie ihr Boot niemals bei Gewitter.
- Nehmen Sie niemals den Sender bei Blitzen oder Gewitter in Betrieb.

Wartungsanleitung nach Einsatz in feuchter Umgebung

- Nehmen Sie die Kabinenhaube und Ablaufstopfen ab und kippen das Boot in die Richtung des Ablauf bis alles Wasser was sich gesammelt hat abgelaufen ist.



ACHTUNG: Halten Sie immer Hände, Finger, Werkzeuge oder anderen lose, hängende Objekte weg von drehenden Teilen wenn Sie das Boot trocknen.

- Entnehmen Sie den Akkupack und trocknen die Kontakte. Sollten Sie einen Kompressor oder Druckluftflasche zur Hand haben blasen Sie damit das Wasser aus den Gehäusevertiefungen.
- Entfernen Sie alle beweglichen Teile. Trocknen und schmieren Sie die Teile alle 30 Betriebsminuten oder immer dann wenn das Boot ein- oder untergetaucht war.

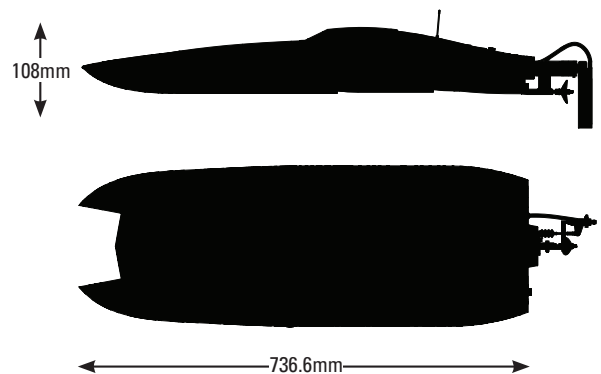
HINWEIS: Verwenden Sie keinen Hochdruckreiniger um das Fahrzeug zu reinigen.

- Reinigen Sie das Fahrzeug mit Druckluft aus einem Kompressor oder einer Druckluftflasche und entfernen so das Wasser aus den Spalten und Ecken.
- Sprühen Sie die Lager, Wellen, Befestigungen mit WD-40 Öl oder einem vergleichbaren wasserverdrängenden Leichtöl ein.
- Lassen Sie das Fahrzeug vor dem Einlagern vollständig trocknen. Das Abtropfen von Wasser (und Öl) kann durchaus ein paar Stunden dauern.

Spezifikationen

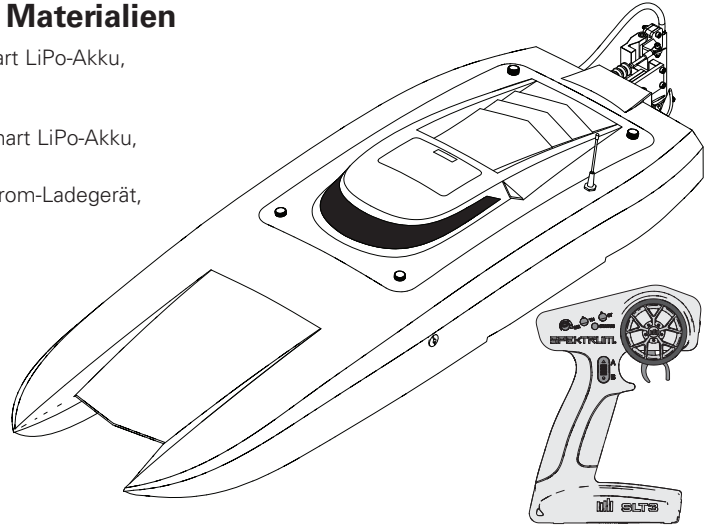
Länge	736.6mm
Höhe	108mm
Sender	Spektrum™ SLT3™ 2.4GHz
Empfänger	Spektrum SR315 3-CH DSMR® Marine
Rumpfmateral	Glasfaser
Motor	3650 6-poliger Bootsmotor 2000 kV (DYNAM3831)
ESC	120 A bürstenloser Geschwindigkeitsregler 2-6S (DYNAM3875)
Servo	Plastikgetriebe Servo 3kg, wasserdicht, 23T

Tipp: Für den Betrieb des Senders sind 4 AA-Batterien (separat erhältlich) erforderlich.



Erforderliches Werkzeug und Materialien

- (2) Spektrum 7.4V 5000mAh 2S 100C Smart LiPo-Akku, Hartschale: IC5 (SPMX50002S100H5)
-or-
(2) Spektrum 11.1V 5000mAh 3S 100C Smart LiPo-Akku, Hartschale: IC5 (SPMX50003S100H5)
- Spektrum Smart S2100 Wechsel-/Gleichstrom-Ladegerät, 2x100W (SPMXC1010)
- Spitzzange
- Papiertücher
- Reinigungsalkohol
- Maulschlüssel: 10mm (2)
- Steckschlüssel 4mm, 7mm, 8mm
- Phillips Schraubendreher: #1
- Inbusschlüssel: 1.5mm, 2mm 2,5mm, 3mm
- Transparentes Klebeband (DYNM0102)
- Dynamite Marine Fett und Applikator (DYNE4200)
- Klett pads WP 4 Stk. (DYNK0300)

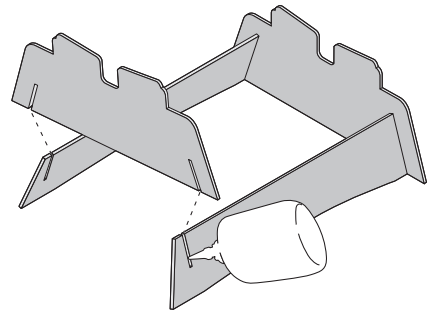


Produktüberprüfung

Entnehmen Sie vorsichtig das Boot und den Sender der Box. Überprüfen Sie das Boot auf evtl. Schäden. Sollten Sie Schäden feststellen kontaktieren Sie den Händler bei dem Sie das Boot gekauft haben, oder den Product Support kontaktieren. Siehe den Abschnitt zu Garantie und Kundendienstinformationen zu weiteren Informationen.

Montage des Bootständers

1. Stecken Sie die Reiter der Seitenteile in die Schlitz der Endteile. Die Schrift auf den Seitenteilen sollte nach aussen zeigen.
2. Kleben Sie die Teile des Bootständers zusammen wenn dieser auf einer ebenen Oberfläche steht.
3. Lassen Sie den Kleber vollständig trocknen bevor Sie das Boot auf den Ständer stellen.

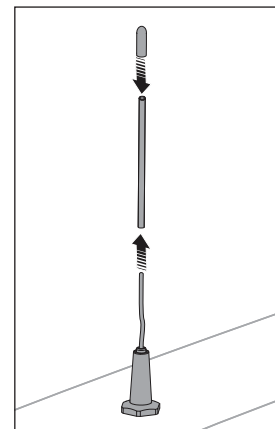


Montage des Antennenröhrchen

1. Führen Sie vorsichtig das Ende der Antenne durch die Durchführung im Rumpffinneren.
2. Ziehen Sie das Antennenkabel nach außen durch die Durchführung und schieben dann die Antenne in das Röhrchen.
3. Stecken Sie das Röhrchen in die Durchführung und den Stopfen oben auf das Röhrchen.
4. Die farblose 20 mm Kühlleitung aus Silikon über Öse und Rumpf schieben und das Rohr in der Kühlleitung aus Silikon montieren.

Die Antenne muss über der Wasserlinie des Bootes installiert werden, um den bestmöglichen Empfang für Ihr Sendersignal zu gewährleisten.

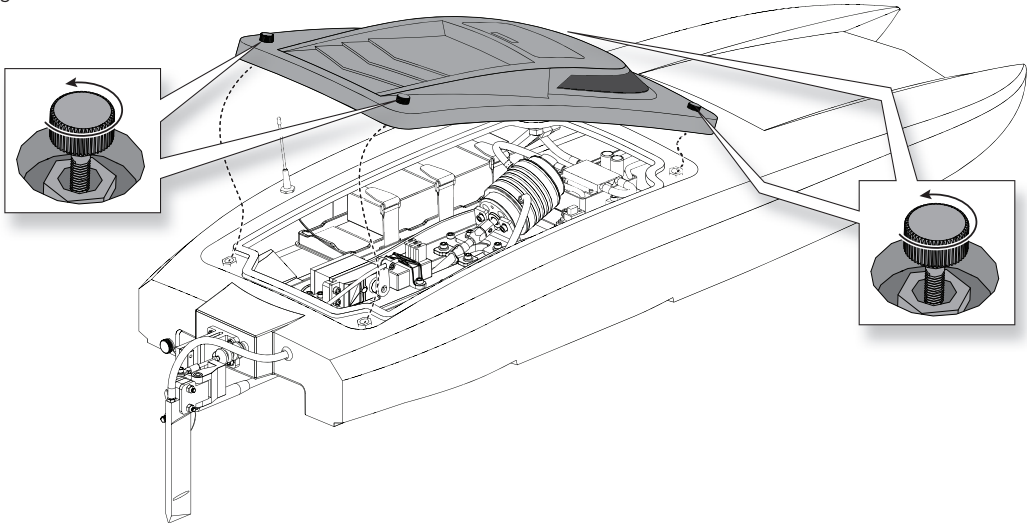
HINWEIS: Kürzen oder knicken Sie die Antennen nicht, da sonst die Gefahr von Beschädigungen besteht.



Abnehmen der Kabinenhaube

1. Lösen Sie die vier Schrauben an den Seiten der Kabinenhaube.
2. Entfernen Sie die Kabinenhaube vom Rumpf beginnend mit den beiden hinteren Schrauben. Bitte

achten Sie darauf, dass alle vier Schrauben gelöst sein müssen bevor Sie die Kabinenhaube vorsichtig anheben können.



Einsetzen der Akkupacks

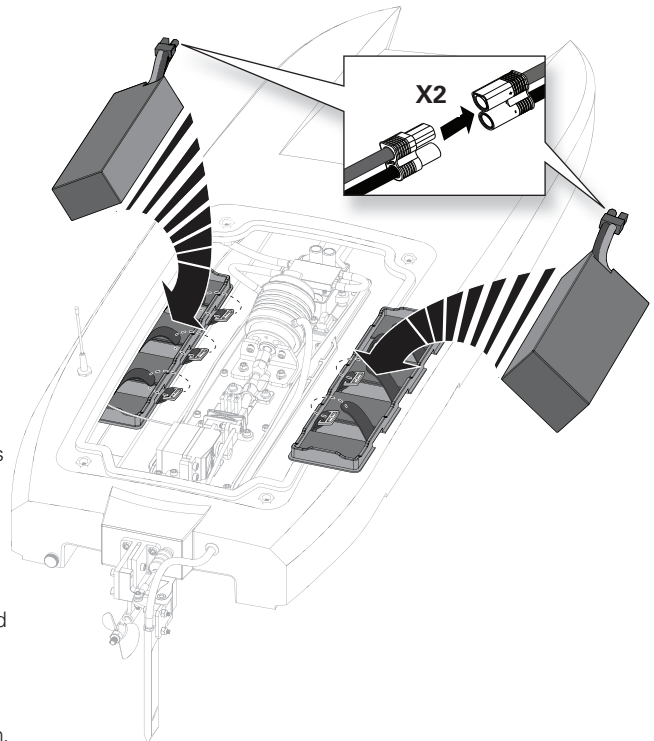
Die mitgelieferte Elektronik ist für die 2S-6S LiPo-Akkus bewertet. Jedoch führt der ununterbrochene Betrieb des Bestandpropellers auf einem 6S Akku zum Überhitzen der Elektronik oder zu Schäden an den Akkus. Wird der Bestandpropeller auf einem 6S Akku betrieben, wird Vollgas nur auf geradlinigen Überflügen empfohlen. Umkehrflüge sollten bei halber Gaszufuhr durchgeführt werden, um die Wärmeabgabe der Elektronik zu verringern. Soll ein 6S ununterbrochen betrieben werden, die optionalen Propeller (PRB282006 oder PRB282027) verwenden.

1. Setzen Sie die beiden Akkupacks links und rechts seitlich am Bootsrumpf ein. Sichern Sie die Akkus mit den mitgelieferten Haken- und Schlaufengurten. Wenn Sie das Boot in rauen Gewässern verwenden, sollten Sie wasserdichtes Haken- und Schlaufenband (DYNK0300) verwenden, um die Akkus noch sicherer am Akkufach zu fixieren.

Tipp: Die Akkus so weit hinten wie möglich im Akkukasten platzieren, um die maximale Geschwindigkeit und Handhabung zu erreichen. Sind Wasser- und Windbedingungen zu stark, das Boot durch Verschieben der Akkus um jeweils 0,6 cm nach vorn stabilisieren.

2. Schließen Sie beide Akkus an die Regleranschlüsse an.

Der mitgelieferte Propeller bietet die beste Leistung zwischen 4S (14,8 V) und 5S LiPo (18,5 V). Die 5S-Konfiguration kann erreicht werden, indem ein 3S LiPo (DYNB3811EC) auf der linken Seite des Bootes und ein 2S LiPo (DYNB3810EC) auf der rechten Seite des Bootes befestigt wird. Das zusätzliche Gewicht des 3S-Akkus auf der linken Seite wird der durch den Propeller auf hoher Drehzahl verursachten Drehung entgegenwirken.



WARNUNG: Bei der Verwendung von 2 Akkus in Serie immer sicherstellen, dass sie ungefähr die gleichen Bedingungen (Alter) aufweisen und über dieselbe Kapazität (mAh) und Entladungsrate (C-Rate) verfügen. Ein Nichtbeachten kann zu Schäden an den Akkus führen und möglicherweise einen Brand verursachen.

Senderfunktionen

Spezifikationen

Netzteil: 4 AA-Akkus

Betriebsfrequenz: 2,4 GHz

Senderleistung: < 100 mW

Steuerprotokoll: SLT

Steuerung: Proportionalsteuerung und Gas/Bremse mit Trimmungsknöpfen, dritter Kanal mit 3-Positionen-Schalter

Zusatzfunktionen: Gasbegrenzer mit 3 Positionen, Steuerratenknopf zum spontanen Ändern des Steuerverfahrwegs, programmierbarer Servo-Verfahrweg für Steuerung und Gas/Bremse

A. Gastrimmung

Zur Anpassung des Gasnullpunktes

B. Steuertrimmung

Zur Anpassung des Steuermittelpunktes. Normalerweise wird die Steuertrimmung solange eingestellt, bis das Fahrzeug gerade in der Spur läuft.

C. LEDs

- Durchgängig rot: Zeigt an, dass die Stromversorgung eingeschaltet ist und eine angemessene Akku-Leistung vorliegt
- Rot blinkend: Zeigt an, dass die Akku-Spannung kritisch niedrig ist. Akkus ersetzen

D. Steuerrad

E. Gas/Bremse

F. Steuerrate

Knopf für die spontane Wegverstellung auf der Steuerung

G. Kanal 3

3-Positionen-Schalter, mittlere Position ist Neutral

Zum Programmieren nach oben für Schalter A drücken und für Schalter B nach unten

H. Begrenzung Gaszufuhr

Begrenzt die Gaszufuhr auf 50/75/100 %

50 oder 75 % für Fahrer mit weniger Erfahrung wählen oder wenn das Fahrzeug in einem kleinen Gebiet gefahren wird.

I. Gas (TH) Umkehren der Servolaufrichtung

Den Schalter bewegen, um den Gaskanal umzukehren

J. Steuerung (ST) Umkehren der Servolaufrichtung

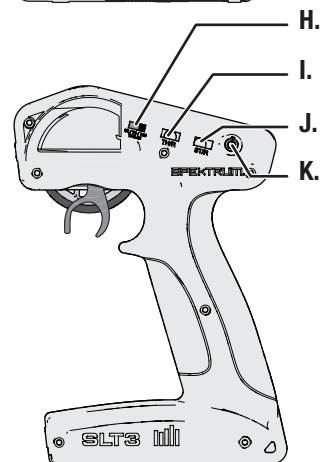
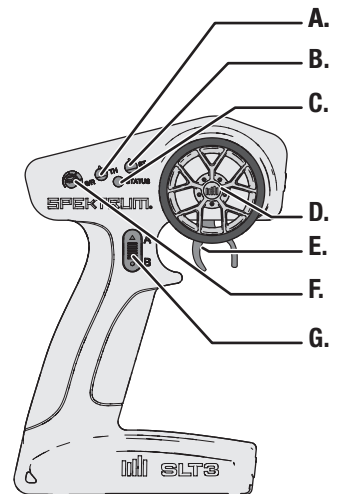
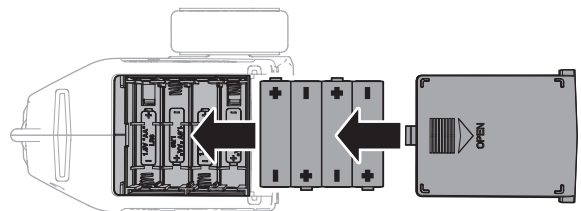
Den Schalter bewegen, um den Steuerkanal umzukehren

K. Ein-/Ausschalter

Einsetzen der Sender-Akkus

Für diesen Sender werden 4 AA-Akkus benötigt.

1. Die Akku-Abdeckung vom Sender entfernen.
2. Die Akkus entsprechend der Abbildung einsetzen.
3. Die Akku-Abdeckung wieder montieren.



ACHTUNG: Bei der Verwendung von wiederaufladbaren Akkus dürfen auch nur solche erneut geladen werden. Das Laden von normalen, nicht wiederaufladbaren Akkus kann ein Platzen der Akkus und damit verbundene Personen- und/oder Sachschäden verursachen.



ACHTUNG: Es besteht Explosionsgefahr, wenn der Akku durch einen falschen Akku-Typ ersetzt wird. Verbrauchte Akkus müssen gemäß den nationalen Vorschriften entsorgt werden.

Werkseinstellung

Es gibt einen ausgeblendeten Modus, wenn der Servo-Verfahrweg und die Kalibrierung im Sender zurückgesetzt werden sollen.

1. Ganz nach links und Vollbremsung halten, während der Sender eingeschaltet wird, um den Sender in den Programmiermodus zu bringen.
Die LED wird 4-mal blinken und dann ausschalten, um das Zurücksetzen zur Werkseinstellung anzuzeigen.
2. Das Rad und den Gasauslöser zur Rückkehr in die Neutralstellung loslassen. Die LED wird aufleuchten, um das Zurücksetzen zur Werkseinstellung anzuzeigen.
3. Den Sender ausschalten.

Akku Ladegerät

Wählen Sie ein Ladegerät, das für das Aufladen des empfohlenen (2) Spektrum 7.4V 5000mAh 2S 100C Smart LiPo-Akkus mit Hartschale ausgelegt ist: IC5 (SPMX50002S100H5) oder (2) Spektrum 11.1V 5000mAh 3S 100C Smart LiPo-Akku mit Hartschale: IC5 (SPMX50003S100H5) Wir empfehlen das Spektrum Smart S2100-Wechselstrom-Ladegerät, 2x100W (SPMXC1010).

HINWEIS: Laden Sie niemals ein Akku im Boot, da sonst ein Schaden auftreten könnte.

Niederspannungsabschaltung (LVC)

Das Entladen eines LiPo Akku unter 3 Volt per Zelle kann den Akku beschädigen. Der im Lieferumfang enthaltene Regler schützt den Akku vor Tiefentladung mit der Niederspannungsabschaltung. Der Motor beginnt nach der Aktivierung dieser Schaltung zu pulsieren und zeigt damit an, dass es Zeit wird das Boot unverzüglich zurück zu fahren und die Fahrt zu beenden.

Trennen Sie nach dem Fahren die LiPo Akkus vom Boot um eine Tiefentladung zu vermeiden. Laden Sie den Akku vor dem Einlagern auf die Hälfte seiner Kapazität.

Stellen Sie während der Ladung sicher, dass die Akkuspannung nicht unter 3 Volt pro Zelle fällt. Die Niederspannungsabschaltung (LVC) schützt den Akku nicht vor Tiefentladung während der Lagerung.

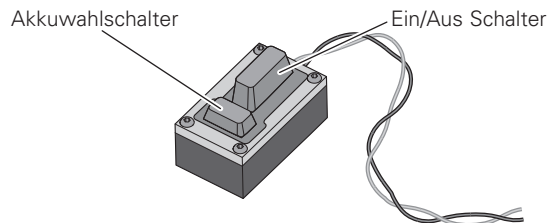
HINWEIS: Wiederholter Betrieb bis in die Niederspannungsabschaltung (LVC) beschädigt den Akku.

Tipp: Die Akku-Spannung des Boots vor und nach der Bootsfahrt mit einem XBC100 Smart Akkuprüfer und Servotreiber (SPMXBC100, separat erhältlich) überwachen.

Akkutyp wählen

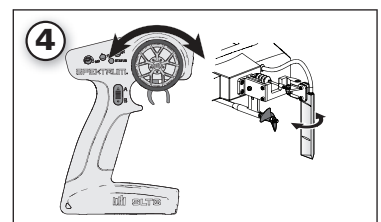
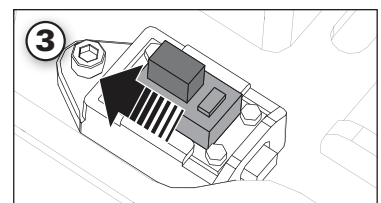
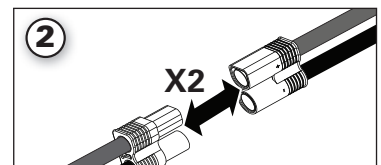
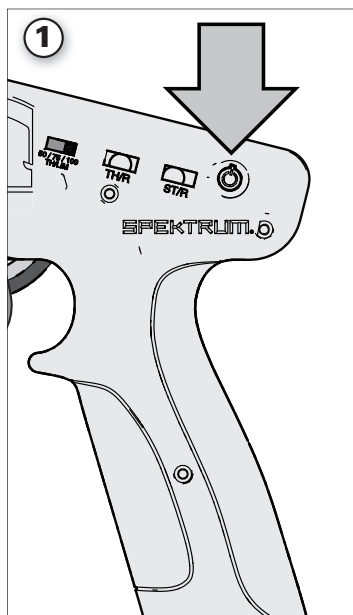
Der Regler ist ab Werk auf LiPo Akkus eingestellt. Um den Akkutyp zu ändern:

1. Stellen Sie das Gas auf Neutral und schalten den Regler ein (ON).
2. Drücken und halten Sie den Akkuwahlschalter an dem Ein / Aus Schalter für drei Sekunden gedrückt. Die LED zeigt den aktuellen Akkutyp an (rot = NiMh/ NiCd; oder grün = LiPo).
3. Drücken und halten Sie den Akkuwahlschalter für weitere 6 Sekunden gedrückt. Der Regler ändert den Akkutyp und die LED blinkt in der Farbe des neuen Akkutyps.
4. Schalten Sie den Regler aus (OFF) Der Regler speichert die Einstellungen bis eine Änderung erfolgt.



Starten

1. Schalten Sie den Sender ein.
2. Schließen Sie die beiden Akkus an die EC5 Stecker des Reglers an.
3. Schalten Sie den Reglerschalter ein. Die Bestätigungstöne für den Geschwindigkeitsregler ertönen.
4. Testen Sie die Senderkontrollen mit dem Boot auf dem Ständer.



SPMSR315 Empfänger mit Dual-Protokoll

Spezifikationen

Typ: Empfänger mit Dual-Protokoll und 3 Kanälen* (SLT/DSMR)

Abmessungen (L x B x H): 32,5 x 21,5 x 12,4 mm

Antennenlänge: 90 mm

Kanäle: 3

Gewicht: 6 g

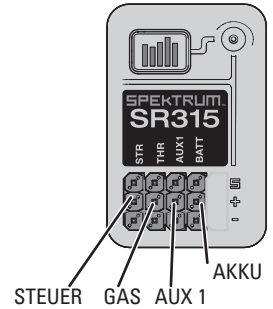
Band: 2,4 GHz

Spannungsbereich: 3,5–9,6 V

Bindungstyp: Bindungsschalter

Failsafe: Das Steuerrad und den Gasauslöser während des Bindens in den gewünschten Failsafe-Positionen halten

*Die mit dem SLT3-Sender mitgelieferten SPMSR315-Empfänger weisen eine Kompatibilität mit SLT3 und DSMR auf. Wurde nur der SR315-Empfänger erworben, so muss unter Umständen eine Firmware-Aktualisierung installiert werden, damit der SR315 mit SLT kompatibel ist.



Empfängerantenne

Die SR315-Empfänger bieten eine koaxiale Antenne zur einfachen Montage bei fast allen Modellen. Die letzten 32 mm (1 Zoll) an der Spitze der Antenne sind der aktive Teil der Antenne, der koaxiale Teil, der dort hinführt, stellt nur eine Erweiterung dar. Installieren Sie die Antenne so, dass der aktive Teil im Fahrzeug so hoch wie möglich positioniert wird und sich nicht „im Schatten“ von Kohlefasern oder Metall befindet. Das Gehäuse des Empfängers kann direkt ein Antennenrohr aufnehmen und ermöglicht so eine optimale und einfache Antennenplatzierung (Antennenrohr nicht im Lieferumfang enthalten).

WARNUNG: Den Antennendraht nicht biegen, schneiden oder beschädigen. Die Antenne besteht aus einem Koaxialkabel. Ist der Außenmantel beschädigt, wird der Empfänger nicht korrekt funktionieren. Ist die Antenne auf irgendeine Weise beschädigt, diese ersetzen, ehe der Empfänger verwendet wird.

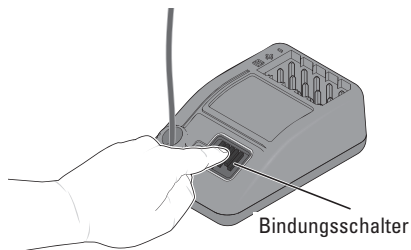
Binden

Das Binden ist der Vorgang, durch den der Empfänger darauf programmiert wird, den GUID-Code (Globally Unique Identifier) eines einzelnen Senders zu erkennen.

1. Den Bindungsschalter gedrückt halten und den Empfänger einschalten. Die orangefarbene LED wird blinken.
2. Die Trimmungen und Steuerpositionen auf den gewünschten Failsafe-Einstellungen einrichten und den SLT3-Sender einschalten.
3. Leuchtet die orangefarbene LED auf dem SLT3-Empfänger weiter, so ist er mit dem SR315-Empfänger verbunden.

Ein erneutes Binden muss erfolgen, wenn:

- Andere Failsafe-Positionen gewünscht werden, z. B. wenn Gas oder Steuerung geändert wurden.
- Der Empfänger an einen anderen Sender gebunden wird.



Failsafe

Im unwahrscheinlichen Fall, dass es bei laufendem Betrieb zum Verlust der Funkverbindung kommt, werden die Servos vom Empfänger in während des Bindungsvorgangs vorprogrammierten Ausfallsicherungspositionen gebracht.

Sollte der Empfänger vor dem Sender eingeschaltet sein, geht der Empfänger in den Failsafe Mode und fährt die Servos in die programmierten Failsafe-Positionen. Wird dann der Sender eingeschaltet besteht wieder normale Kontrolle. Die Failsafeservopositionen werden während des Bindens eingestellt.

WICHTIG: Die Failsafefunktion wird nur bei Signalverlust vom Sender aktiv. Die Funktion wird NICHT aktiviert wenn die Empfängerspannung unter das Minimum sinkt oder die Empfängerstromversorgung ausfällt.

Servo-Verfahrweg

Der Servo-Verfahrweg auf den Kanälen Steuerung und Gas kann über einen speziellen Programmiermodus im Sender angepasst werden.

1. Damit beginnen, wenn das Binden des Senders am Empfänger abgeschlossen ist. Den Empfänger einschalten.
2. Ganz nach rechts und Vollbremsung halten, während der Sender eingeschaltet wird, um den Sender in den Programmiermodus zu bringen.
Die LED auf dem Sender wird 4-mal blinken, um anzuzeigen, dass er sich im Programmiermodus befindet.
3. Das Rad vollständig nach links drehen und halten, um die Verfahrweggrenze für diese Richtung festzulegen. Die A-Taste zum Erhöhen des Verfahrwegs und die B-Taste zum Verkleinern des Verfahrwegs drücken. Die LED wird bei jeder Änderung einmal blinken. Das Rad wieder in die Mitte bringen, um den Wert des Verfahrwegs festzulegen.

WICHTIG: Erreicht der Wert das Maximum oder Minimum, das akzeptiert werden kann, wird die LED bei weiteren Eingaben nicht blinken.

4. Das Rad nach rechts drehen und den Vorgang wiederholen, um den Steuerverfahrweg nach rechts einzurichten.
5. Den Sender bei Elektrofahrzeugen zum Speichern der Einstellungen ausschalten. Den Geschwindigkeitsregler auf den standardmäßigen Gasverfahrweg kalibrieren.
6. Bei kraftstoffbetriebenen Fahrzeugen den Gasverfahrweg bei ausgeschaltetem Motor einrichten. Nach dem Einrichten des Steuerverfahrwegs den Gasverfahrweg mit demselben Vorgang einrichten. Vollgas gezogen halten und Verfahrweg mit den Tasten A und B anpassen. Zur Mitte zurückkehren, um den Wert festzulegen.
7. Vollbremsung drücken, Verfahrweg mit den Tasten A und B anpassen, zur Mitte zurückkehren
8. Den Sender zum Speichern der Werte ausschalten.

Kontrolle

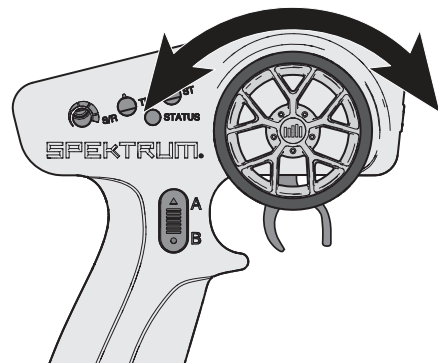
WICHTIG: Führen Sie vor jedem Einsatz des Bootes, nach jeder Reparatur und nach dem Einsetzen eines neuen Akkus eine Kontrolle durch.

Bitte stellen Sie sicher, dass alle Akkus vollständig geladen sind und die Empfängerantenne korrekt aufgerichtet ist.

1. Schalten Sie den Sender und dann das Boot ein.
Setzen Sie das Verdeck des Bootes noch nicht auf.
2. Setzen Sie das Boot sicher auf den Bootsständer.

HINWEIS: Lassen Sie den Motor nicht ohne Wasserkühlung laufen, da er sonst beschädigt werden kann.

3. Überprüfen Sie die Gas- und Lenkfunktion.



Testen des Bootes im Wasser

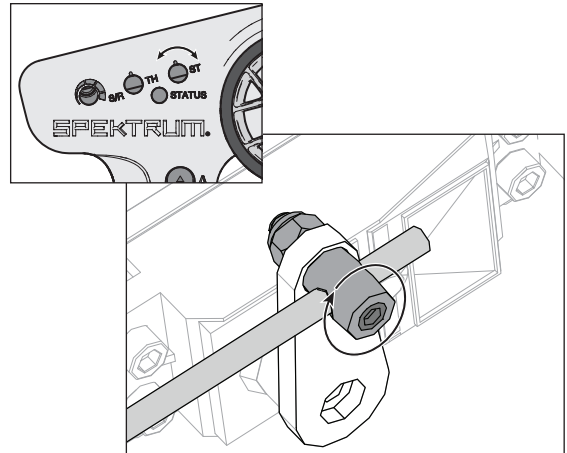
Tip: Sichern Sie die Kabinenhaube auf dem Rumpf bevor Sie das Boot ins Wasser setzen. Fixieren Sie die Ränder des Verdecks mit durchsichtigem Klebeband (DYNAM0102), falls gewünscht.

1. Fahren Sie das Boot zuerst langsam in Ufernähe.
2. Vermeiden Sie die Nähe von allen Objekten. Fährt das Boot vorwärts achten Sie bitte darauf dass aus dem seitlichen Kühlwasserauslass Wasser austritt. Entfernen Sie jede Verstopfung vom Einlass am Ruder und dem Kühlsystem, da der Motor und Regler sonst überhitzen könnte.
3. Haben Sie sich mit dem Fahren des Bootes bei niedrigen Geschwindigkeiten vertraut gemacht, ist es nun sicher das Boot weiter weg vom Ufer zu fahren.
4. Sollte das Boot nicht geradeaus fahren, justieren Sie den Trimmregler auf dem Sender.

Tip: Sollte eine große TrimmEinstellung erforderlich sein damit das Boot geradeaus fährt, zentrieren Sie das Ruder bitte mechanisch. Verwenden Sie hierfür einen 1,5 mm Sechskantschlüssel zum Lösen der Stellschraube, mit der die Schubstange am Servo fixiert wird. Verschieben Sie die Anlenkung weiter in die Messingtrommel oder weiter heraus, bis das Ruder zentriert ist. Sichern Sie die Stellschraube mit einem 1,5 mm Sechskantschlüssel.

5. Stellen Sie fest, dass das Boot langsamer wird bringen Sie es an das Ufer zurück.
6. Schalten Sie den Regler aus und trennen die Akkupacks.
7. Lassen Sie den Regler und Akkus abkühlen bis Sie die Akkus wieder laden und das Boot wieder fahren.

HINWEIS: Der Empfänger sollte immer VOR dem Sender AUSGESCHALTET werden. Wird der Sender vor dem Empfänger AUSGESCHALTET, wechselt der Empfänger in den Ausfallsicherungsmodus.



Tipps zum Fahren

Wenn Sie ihr Boot zum ersten Mal fahren, sollten Sie dieses bei ruhigen Wind- und Wasserbedingungen tun, so dass Sie Gelegenheit haben zu lernen wie das Boot reagiert.

Die mögliche Maximalgeschwindigkeit wird nur erreicht wenn das Wasser glatt ist und kein Wind weht. Eine scharfe Kurve, Wind oder Wellen können dazu führen, dass sich das Boot überschlägt wenn es zu schnell gefahren wird. Fahren Sie immer ihr Boot den Wind und Wasserbedingungen entsprechend, so dass Sie Überschläge vermeiden.

Tip: Durchsichtiges, flexibles Marine Tape (DYNAM0102) um den Rumpf verwenden, wenn das Boot bei starkem Wellengang betrieben wird.

Bitte beachten Sie örtliche Bestimmungen und Gesetze bevor Sie sich einen Platz zum Fahren suchen.

Meiden Sie die Nähe von:

- Anderen Wasserfahrzeugen
- Menschen (in Schwimm- und Angelgebieten)
- Stationäre Objekte
- Wellen und Strudel
- Schnell fließenden Wasser
- Tieren
- Treibmüll
- Überhängenden Bäumen
- Pflanzen

Sollte der Propeller oder das Ruder mit Pflanzen oder anderen Stoffen blockiert sein, nehmen Sie das Boot aus dem Wasser bevor Sie weiterfahren.

Reduzieren Sie die Geschwindigkeit in den Kurven und verringern damit die Wahrscheinlichkeit dass sich das Boot überschlägt. Passen Sie bei Bedarf Ihre Lenkeingabe an, um die Empfindlichkeit herabzusetzen.

Betreiben Sie ihr Boot niemals in geringeren Wassertiefen als 30,5cm.

Sollten Sie ihr Boot bergen müssen verwenden Sie dazu eine Angelausrüstung oder ein zweites Boot.

HINWEIS: Fahren Sie bei Vollgas in rauen Wasser kann der Propeller sehr schnell in das Wasser ein- und wieder austauschen. Das belastet den Propeller und könnte ihn auf Dauer beschädigen.

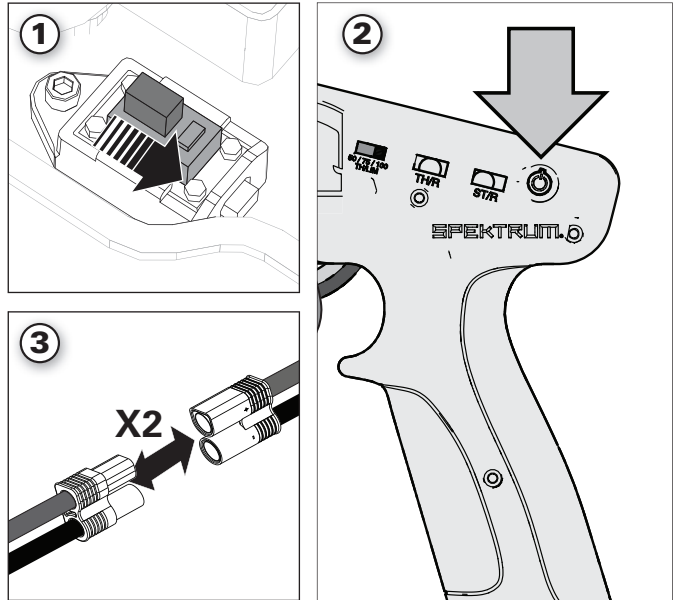
⚠ ACHTUNG: Betreiben Sie ihr Boot niemals bei extremen Temperaturen.

⚠ ACHTUNG: Bergen Sie niemals ihr Boot aus dem Wasser bei extremen Temperaturen, Turbulenzen oder ohne Aufsicht.

Nach dem Fahren

1. Schalten Sie den Empfänger aus.
2. Schalten Sie den Sender aus.
3. Trennen und entfernen Sie den Akku aus dem Boot.

Tipp: Nehmen Sie immer vor dem Einlagern die Kabinenhaube ab, da sich sonst durch Restfeuchte Schimmel im Boot bilden kann.

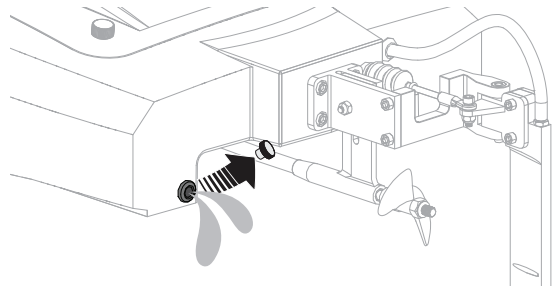


Wartungsarbeiten nach dem Fahren

- Ziehen Sie den Verschlussstopfen und lassen Wasser aus dem Rumpffinneren austreten
- Lassen Sie das Boot vollständig inklusive Kühlsystem vollständig trocknen. Nehmen Sie vor dem Einlagern die Kabinenhaube ab
- Reparieren Sie evtl. Abnutzung oder Schäden am Boot
- Schmieren Sie die Flexwelle mit Dynamite Marine Fett (DYNE4200)
- Machen Sie sich Notizen über den Trimm des Bootes sowie Wind und Wetterbedingungen

Tipp: Die Klettstreifen im Boot nehmen Wasser auf. Drücken Sie ein trockenes Tuch darauf um sie zu trocknen.

HINWEIS: Lassen Sie nach dem Fahren das Boot niemals in der Sonne. Lagern Sie das Boot nicht in geschlossen heißen Räumen wie zum Beispiel einem Auto. Das könnte das Boot beschädigen.



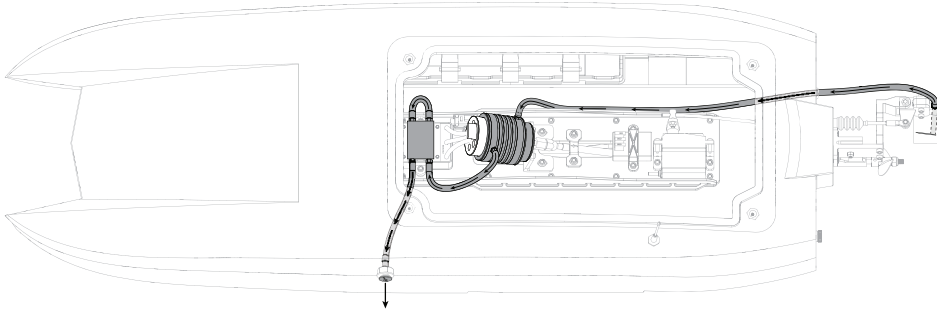
Motorpflege

- Verlängern Sie die Lebensdauer des Motors in dem Sie Überhitzung des Motors vermeiden. Motorverschleiss resultiert durch dauerndes Kurvenfahren, Stoppen und Starten, dem Schieben von Objekten, dem Fahren in rauem Wasser oder in Vegetation und auch dauerndes Vollgas fahren.
- Der Regler/ESC ist mit einem Überhitzungsschutz ausgestattet um Schäden an der Platine zu vermeiden. Dieser schützt jedoch nicht den Motor wenn er gegen große Widerstände arbeitet.
- Dynamite Präzisionsöl (DYNE0100) zur Wartung der Motorlager verwenden. Werden die Lager nass, Wasserverdrängungsflüssigkeit verwenden und dann die Lager ölen, um Rost oder Festfressen zu vermeiden.

Kühlwassersystem

Sollte bei einer Vorwärtsbewegung des Bootes kein Wasser aus den Wasseraustrittsöffnungen strömen, steuern Sie das Boot unverzüglich wieder zum Ufer und befreien Sie die Wasserkühlung und die zugehörigen Leitungen von Blockaden und Knicken.

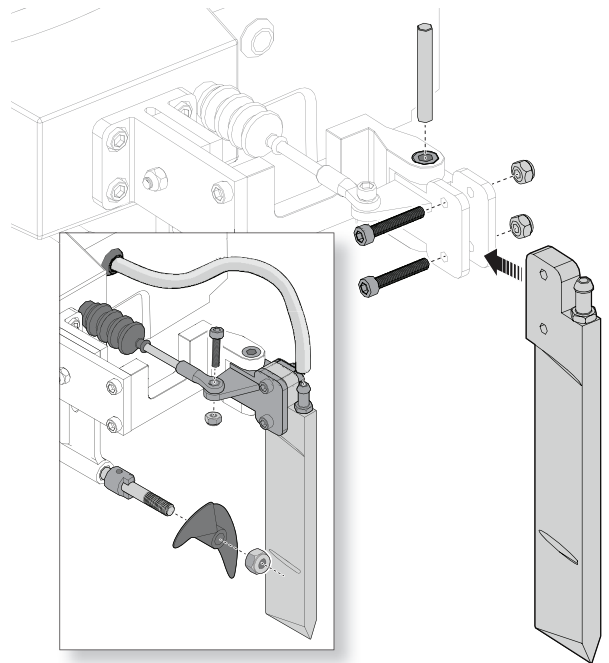
1. Trennen und reinigen Sie das Kühlwassersystem um Verstopfungen zu entfernen und ein Überhitzen zu verhindern.
2. Ersetzen Sie beschädigte Teile.



Wartung des Ruders

1. Trennen Sie die Kühlwasserleitung vom Ruder.
2. Entfernen Sie die Schraube, Mutter und Anlenkung vom Ruderarm.
3. Drehen Sie das Ruder und lösen die Schraube vom Ruderpin.
4. Drehen Sie das Boot um und klopfen etwas auf das Ruder um den Pin zu entfernen.
5. Montieren Sie in umgekehrter Reihenfolge.

Tipp: Eine Abbrechschraube aus Nylon (PRB285000) als Ersatz für den Ruder-Abbrechbolzen verwenden.



Propellerwartung

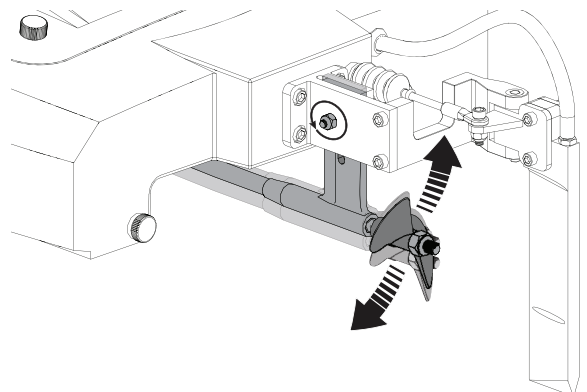
1. Lösen Sie mit einem 8mm Steckschlüssel (DYN2805) die Mutter von der Antriebswelle. Halten Sie den Propeller fest, um ihn beim Lösen der Mutter zu sichern.
2. Entfernen Sie den Propeller und Mutter von der Welle.
3. Montieren Sie in umgekehrter Reihenfolge. Richten Sie den Propeller zum Mitnehmer aus.

Tiefeneinstellung der Propellerstrebe

Durch Anheben der Propellerstrebe erhöht sich die Geschwindigkeit, gleichzeitig verringert sich jedoch die Manövrierfähigkeit.

Durch Absenken der Propellerstrebe erhöht sich die Stabilität, gleichzeitig verringert sich jedoch die Geschwindigkeit.

1. Die Schraube der Propellerstrebe mit einem 3 mm Sechskantschlüssel und einem 7 mm Maulschlüssel lockern.
2. Schieben Sie den Strebenhalter rauf oder runter um den Winkel des Propellers in Relation zum Rumpf zu verändern.
3. Sobald die gewünschte Strebtiefe erreicht wurde, Mutttern und Schrauben festziehen.



Fetten der Welle

Das Schmieren der Flexwelle ist für die Lebenserwartung des Antriebes sehr wichtig. Das Schmiermittel dient ebenfalls als Dichtmittel und sorgt dafür dass kein Wasser in den Rumpf gelangt.

Schmieren Sie die Welle, das Stevenrohr und alle beweglichen Teile alle 2 bis 3 Betriebsstunden. Ersetzen Sie bitte Teile die Abnutzungen oder Schäden aufweisen.

Flex-Welle und Propellerstrebe nach jeweils einem Betrieb von 30 Minuten schmieren und/oder jedes Mal, wenn die Akkus ausgetauscht werden.

1. Lösen Sie im Rumpf mit den beiden 10er Maulschlüsseln den Mitnehmer von der Flexwelle.
2. Ziehen Sie die Flexwelle durch das Stevenrohr und Propellerstrebe zum Heck des Bootes hinaus.
3. Wischen Sie altes Fett und sonstige Ablagerungen von der Flexwelle ab.

Tipp: Zur Beseitigung von Schmiermittelsammlungen Motorspray (DYN5500) verwenden.

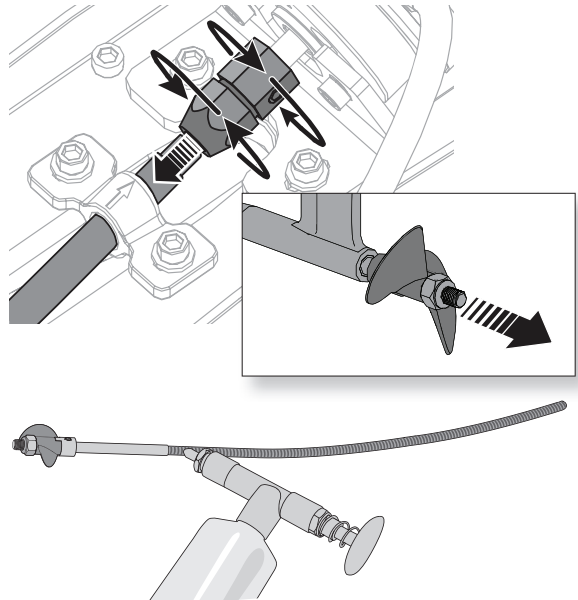
4. Schmieren Sie volle Länge der Flexwelle bis zur Strebe mit Marinefett. Schmieren Sie ebenfalls das Gewinde des Mitnehmers mit Marinefett (DYNE4200).
5. Führen Sie vorsichtig die Welle wieder durch die Strebe, Stevenrohr und in den Mitnehmer. Sollte es Schwierigkeiten bereiten, die Flexwelle aus der Klemmbuchse zu entnehmen (oder sie darin zu montieren), drehen Sie die Flexwelle nach rechts und ziehen Sie sie gleichzeitig aus der Klemmbuchse (bzw. setzen Sie sie ein).

HINWEIS: Die Flexwelle nicht im Innern der Kupplung drehen.

Bitte sorgen Sie dafür, dass ein 2mm großer Spalt zwischen Propellerstrebe und Propellermitnehmer ist, so dass die Welle unter Last etwas schrumpfen kann.

HINWEIS: Wenn Sie das Boot in Salzwasser fahren, können einige Teile korrodieren. Wenn Sie das Boot in Salzwasser fahren, müssen Sie es nach jeder Verwendung gründlich in Süßwasser auswaschen und das Antriebssystem schmieren.

HINWEIS: Aufgrund seiner korrosiven Wirkung liegt die Verantwortung beim Modellbauer, wenn er RC-Boote in Salzwasser fahren lassen will.



Senderprogrammierung

1. Drücken und halten Sie den Gashebel auf Vollgas und schalten den Regler (ESC) ein.
2. Nach 2 Sekunden hören Sie einen "-B-B" Ton. Warten Sie weitere 5 Sekunden und der Regler spielt eine ansteigende Tonfolge die den aktivierten Programmiermode anzeigt.
3. Nach Aktivierung des Programmiermodes hören Sie Töne in einer Schleife die die aufgelisteten Programmiermöglichkeiten anzeigen. Drücken Sie den Gashebel innerhalb von 3 Sekunden auf Vollbremsung wenn Sie einen Programmierung auswählen möchten.
4. Nach Auswahl der Programmierung hören Sie verschiedene Tonfolgen, die die programmierbaren Werte anzeigen. Ziehen Sie bei dem passenden Wert den Gashebel auf Vollgas. Der Regler gibt dann einen Wechselton ab der die Auswahl bestätigt.
5. Halten Sie den Gashebel auf Vollgas um zu Schritt 3 zurück zu kehren. Bewegen Sie den Gashebel innerhalb 2 Sekunden auf die Vollbremsposition um den Programmiermode zu beenden.

Die schwarz unterlegten Felder sind die Werkseinstellung

Programmierbare Einstellungen	Programmierbare Einstellungen				-B Einzelton B— langer Ton			
	-B	-B-B	-B-B-B	-B-B-B-B	B—	B— -B	B— -B-B	B— -B-B-B
Betriebsmode -B	Vorwärts	Vorwärts/ Rückwärts						
Li-Po -B-B	Auto- Erkennung	2s	3s					
Niederspannungsabschaltung -B-B-B	None	2.8V/ Cell	3.0V/ Cell	3.2V/ Cell	3.4V/ Cell			
Timing -B-B-B-B	0.00°	3.75°	7.50°	11.25°	15.00°	18.75°	22.50°	26.25°

Problemlösung

Problem	mögliche Ursache	Lösung
Boot reagiert nicht auf Gas, aber auf andere Kontrollen	Gaskanal ist reversiert	Reversieren Sie den Gaskanal auf dem Sender
Starkes Geräusch oder Vibration	Beschädigter Propeller, Welle oder Motor	Ersetzen Sie beschädigte Teile
	Propeller hat eine Unwucht	Wuchten oder ersetzen Sie den Propeller
Reduzierte Fahrzeit, Boot hat keine Leistung	Akkuladung ist zu gering	Laden Sie den Fahrakku vollständig
	Fahrakku ist beschädigt	Ersetzen Sie den Fahrakku und folgen Sie den Anweisungen
	Blockierter oder schwergängiger Propeller	Demontieren, schmieren und richten die Teile korrekt aus
	Fahrbedingungen möglicherweise zu kalt	Stellen Sie sicher, dass der Akku vor Verwendung warm ist (über 10°)
	Akkukapazität für die Fahrbedingungen möglicherweise zu gering	Ersetzen Sie den Akku mit einem Akku größerer Kapazität
	Zu wenig Schmierung auf der Antriebswelle	Die Antriebswelle vollständig schmieren
Boot will sich nicht binden (während des Bindevorganges)	Propeller durch Pflanzen oder andere Gegenstände blockiert	Entfernen Sie Pflanzen oder andere Hindernisse vom Propeller
	Sender steht zu nah am Boot während des Bindevorganges	Stellen Sie den eingeschalteten Sender ein paar Meter vom Boot weg, trennen den Akku und verbinden erneut
	Boot oder Sender sind zu nah neben großen metallischen Objekten, Funkquelle oder anderem Sender	Bringen Sie das Boot und Sender an einen anderen Platz und binden erneut
	Ein weiterer kompatibler Sender im Bindungsmodus befindet sich in Reichweite des Empfängers	Alle kompatiblen Sender ausschalten bis auf denjenigen, mit dem Sie die Bindung herstellen wollen
	Fahrakku/Senderakku zu gering geladen	Ersetzen laden Sie den die Akkus
Regler ist ausgeschaltet	Schalten Sie den Regler ein	
Boot will sich nicht an den Sender verbinden (Nach dem Bindevorgang)	Sender steht zu nah am Boot während des Verbindevorganges	Bringen Sie den eingeschalteten Sender ein paar Meter weg vom Boot und versuchen erneut eine Verbindung
	Boot oder Sender sind zu nah an metallischen Objekten, Funkquellen oder anderem Sender	Bringen Sie den Sender und das Boot an einen anderen Ort und versuchen erneut eine Verbindung
	Senderakku/Fahrakku zu wenig geladen	Laden/ersetzen Sie die Akkus
	Reglerschalter ist aus	Schalten Sie den Regler ein
Boot neigt zum Untertauchen oder nimmt Wasser auf	Die Abdeckung ist nicht vollständig geschlossen	Trocknen Sie das Boot und stellen sicher dass die Abdeckung vollständig geschlossen ist bevor Sie wieder in das Wasser setzen
	Der Schwerpunkt ist zu weit vorne	Bewegen Sie die Akkus im Rumpf
Kontrollen reversiert	Sendereinstellungen sind reverisiert	Führen Sie einen Kontrolltest durch und stellen die Kontrollen passend zum Sender ein
Motor oder Regler überhitzt	Verstopfte/Blockierte Kühlwasserleitungen	Wasserleitungen reinigen, Knicke beseitigen oder Leitungen austauschen
Motor pulsiert und verliert dann Leistung	Wetterbedingungen möglicherweise zu kalt	Verschieben Sie die Fahrt bis es wärmer ist
	Akku ist zu alt, abgenutzt oder beschädigt	Ersetzen Sie den Akku
Fahrzeug fährt ohne Steuereingabe des Nutzers vorwärts oder rückwärts	Gastrimmung auf dem Sender ist nicht zentriert	Gastrimmung zentrieren (12 Uhr)
Fahrzeug fährt nicht geradeaus	Lenktrimmung auf der Fernsteuerung nicht zentriert	Justieren Sie die Lenktrimmung so dass das Fahrzeug geradeaus fährt
Keine oder wenig Lenkfunktion	Lenkrate nicht korrekt eingestellt	Lenkratenknopf (ST RATE) am Sender in die gewünschte Lenkeinstellung bringen
	Servo defekt	Kontaktieren Sie den technischen Service von Horizon Hobby
Keine oder wenig Gasfunktion	Regler defekt	Kontaktieren Sie den technischen Service von Horizon Hobby
	Motor defekt	Kontaktieren Sie den technischen Service von Horizon Hobby
Geschwindigkeitsregler gibt im eingeschalteten Zustand einen konstanten Ton aus	Gastrimmung nicht zentriert	Gastrimmung am Sender zentrieren



Garantie und Service Informationen

Warnung

Ein ferngesteuertes Modell ist kein Spielzeug. Es kann, wenn es falsch eingesetzt wird, zu erheblichen Verletzungen bei Lebewesen und Beschädigungen an Sachgütern führen. Betreiben Sie Ihr RC-Modell nur auf freien Plätzen und beachten Sie alle Hinweise der Bedienungsanleitung des Modells wie auch der Fernsteuerung.

Garantiezeitraum

Exklusive Garantie Horizon Hobby LLC (Horizon) garantiert, dass dasgekaupte Produkt frei von Material- und Montagefehlern ist. Der Garantiezeitraum entspricht den gesetzlichen Bestimmung des Landes, in dem das Produkt erworben wurde. In Deutschland beträgt der Garantiezeitraum 6 Monate und der Gewährleistungszeitraum 18 Monate nach dem Garantiezeitraum.

Einschränkungen der Garantie

(a) Die Garantie wird nur dem Erstkäufer (Käufer) gewährt und kann nicht übertragen werden. Der Anspruch des Käufers besteht in der Reparatur oder dem Tausch im Rahmen dieser Garantie. Die Garantie erstreckt sich ausschließlich auf Produkte, die bei einem autorisierten Horizon Händler erworben wurden. Verkäufe an dritte werden von dieser Garantie nicht gedeckt. Garantieansprüche werden nur angenommen, wenn ein gültiger Kaufnachweis erbracht wird. Horizon behält sich das Recht vor, diese Garantiebestimmungen ohne Ankündigung zu ändern oder modifizieren und widerruft dann bestehende Garantiebestimmungen.

(b) Horizon übernimmt keine Garantie für die Verkaufbarkeit des Produktes, die Fähigkeiten und die Fitness des Verbrauchers für einen bestimmten Einsatzzweck des Produktes. Der Käufer allein ist dafür verantwortlich, zu prüfen, ob das Produkt seinen Fähigkeiten und dem vorgesehenen Einsatzzweck entspricht.

(c) Ansprüche des Käufers → Es liegt ausschließlich im Ermessen von Horizon, ob das Produkt, bei dem ein Garantiefall festgestellt wurde, repariert oder ausgetauscht wird. Dies sind die exklusiven Ansprüche des Käufers, wenn ein Defekt festgestellt wird.

Horizon behält sich vor, alle eingesetzten Komponenten zu prüfen, die in den Garantiefall einbezogen werden können. Die Entscheidung zur Reparatur oder zum Austausch liegt nur bei Horizon. Die Garantie schließt kosmetische Defekte oder Defekte, hervorgerufen durch höhere Gewalt, falsche Behandlung des Produktes, falscher Einsatz des Produktes, kommerziellen Einsatz oder Modifikationen irgendwelcher Art aus.

Die Garantie schließt Schäden, die durch falschen Einbau, falsche Handhabung, Unfälle, Betrieb, Service oder Reparaturversuche, die nicht von Horizon ausgeführt wurden aus.

Ausgeschlossen sind auch Fälle die bedingt durch (vii) eine Nutzung sind, die gegen geltendes Recht, Gesetze oder Regularien verstoßen haben. Rücksendungen durch den Käufer direkt an Horizon oder eine seiner Landesvertretung bedürfen der Schriftform.

Schadensbeschränkung

Horizon ist nicht für direkte oder indirekte Folgeschäden, Einkommensausfälle oder kommerzielle Verluste, die in irgendeinem Zusammenhang mit dem Produkt

stehen verantwortlich, unabhängig ab ein Anspruch im Zusammenhang mit einem Vertrag, der Garantie oder der Gewährleistung erhoben werden. Horizon wird darüber hinaus keine Ansprüche aus einem Garantiefall akzeptieren, die über den individuellen Wert des Produktes hinaus gehen. Horizon hat keinen Einfluss auf den Einbau, die Verwendung oder die Wartung des Produktes oder etwaiger Produktkombinationen, die vom Käufer gewählt werden. Horizon übernimmt keine Garantie und akzeptiert keine Ansprüche für in der Folge auftretende Verletzungen oder Beschädigungen. Mit der Verwendung und dem Einbau des Produktes akzeptiert der Käufer alle aufgeführten Garantiebestimmungen ohne Einschränkungen und Vorbehalte.

Wenn Sie als Käufer nicht bereit sind, diese Bestimmungen im Zusammenhang mit der Benutzung des Produktes zu akzeptieren, werden Sie gebeten, dass Produkt in unbenutztem Zustand in der Originalverpackung vollständig bei dem Verkäufer zurückzugeben.

Sicherheitshinweise

Dieses ist ein hochwertiges Hobby Produkt und kein Spielzeug. Es muss mit Vorsicht und Umsicht eingesetzt werden und erfordert einige mechanische wie auch mentale Fähigkeiten. Ein Versagen, das Produkt sicher und umsichtig zu betreiben kann zu Verletzungen von Lebewesen und Sachbeschädigungen erheblichen Ausmaßes führen. Dieses Produkt ist nicht für den Gebrauch durch Kinder ohne die Aufsicht eines Erziehungsberechtigten vorgesehen. Die Anleitung enthält Sicherheitshinweise und Vorschriften sowie Hinweise für die Wartung und den Betrieb des Produktes. Es ist unabdingbar, diese Hinweise vor der ersten Inbetriebnahme zu lesen und zu verstehen. Nur so kann der falsche Umgang verhindert und Unfälle mit Verletzungen und Beschädigungen vermieden werden.

Fragen, Hilfe und Reparaturen

Ihr lokaler Fachhändler und die Verkaufsstelle können eine Garantiebeurteilung ohne Rücksprache mit Horizon nicht durchführen. Dies gilt auch für Garantireparaturen. Deshalb kontaktieren Sie in einem solchen Fall den Händler, der sich mit Horizon kurz schließen wird, um eine sachgerechte Entscheidung zu fällen, die Ihnen schnellst möglich hilft.

Wartung und Reparatur

Muss Ihr Produkt gewartet oder repariert werden, wenden Sie sich entweder an Ihren Fachhändler oder direkt an Horizon.

Rücksendungen / Reparaturen werden nur mit einer von Horizon vergebenen RMA Nummer bearbeitet. Diese Nummer erhalten Sie oder ihr Fachhändler vom technischen Service. Mehr Informationen dazu erhalten Sie im Serviceportal unter www.Horizonhobby.de oder telefonisch bei dem technischen Service von Horizon.

Packen Sie das Produkt sorgfältig ein. Beachten Sie, dass der Originalkarton in der Regel nicht ausreicht, um beim Versand nicht beschädigt zu werden. Verwenden Sie einen Paketdienstleister mit einer Tracking Funktion und Versicherung, da Horizon bis zur Annahme keine Verantwortung für den Versand des Produktes übernimmt. Bitte legen Sie dem Produkt einen Kaufbeleg bei, sowie eine ausführliche Fehlerbeschreibung und eine Liste aller eingesendeten Einzelkomponenten. Weiterhin benötigen wir die vollständige Adresse, eine Telefonnummer für Rückfragen, sowie eine Email Adresse.

Garantie und Reparaturen

Garantieanfragen werden nur bearbeitet, wenn ein Originalkaufbeleg von einem autorisierten Fachhändler beiliegt, aus dem der Käufer und das Kaufdatum hervorgeht. Sollte sich ein Garantiefall bestätigen wird das Produkt repariert oder ersetzt. Diese Entscheidung obliegt einzig Horizon Hobby.

Kostenpflichtige Reparaturen

Liegt eine kostenpflichtige Reparatur vor, erstellen wir einen Kostenvoranschlag, den wir Ihrem Händler übermitteln. Die Reparatur wird erst vorgenommen, wenn wir die Freigabe des Händlers erhalten. Der Preis für die Reparatur ist

bei Ihrem Händler zu entrichten. Bei kostenpflichtigen Reparaturen werden mindestens 30 Minuten Werkstattzeit und die Rückversandkosten in Rechnung gestellt. Sollten wir nach 90 Tagen keine Einverständniserklärung zur Reparatur vorliegen haben, behalten wir uns vor, das Produkt zu vernichten oder anderweitig zu verwerten.

ACHTUNG: Kostenpflichtige Reparaturen nehmen wir nur für Elektronik und Motoren vor. Mechanische Reparaturen, besonders bei Hubschraubern und RC-Cars sind extrem aufwendig und müssen deshalb vom Käufer selbst –vorgenommen werden.

10/15

Garantie und Service Kontaktinformationen

Land des Kauf	Horizon Hobby	Telefon/E-mail Adresse	Adresse
Deutschland	Horizon Technischer Service Sales: Horizon Hobby GmbH	service@horizonhobby.de +49 (0) 4121 2655 100	Hanskampring 9 D 22885 Barsbüttel, Germany

EU Konformitätserklärung

CE Hiermit erklärt Horizon Hobby, LLC, dass das Gerät den folgenden Richtlinien entspricht:
Öko-Design-Richtlinie 1275/2008;

RoHS 2-Richtlinie 2011/65 / EU;

RoHS 3-Richtlinie - Änderung 2011/65 / EU-Anhang II 2015/863;

Der vollständige Text der EU-Konformitätserklärung ist unter folgender Internetadresse abrufbar: <https://www.horizonhobby.com/content/support-render-compliance>.

Drahtloser Frequenzbereich / Drahtlose Ausgangsleistung

Sender

Max EIRP: 16.3

Frequency Range: 2403-2480MHz

Empfänger

Max EIRP: -1,33dBm

Frequency Range: 2404-2476MHz

Offizieller EU-Hersteller:

Horizon Hobby, LLC
2904 Research Road
Champaign, IL 61822 USA

Offizieller EU-Importeur:

Horizon Hobby, GmbH
Hanskampring 9
22885 Barsbüttel Germany

Dieses Gerät enthält (einen) lizenzfreie(n) Sender/Empfänger, der/die den lizenzfreien RSS(s) von Innovation, Science and Economic Development Canada entsprechen. Der Betrieb unterliegt den folgenden zwei Bedingungen:

Dieses Gerät darf keinerlei gefährliche Störungen verursachen.

Dieses Gerät muss jegliche Art von Störung akzeptieren, einschließlich solcher, die zu unerwünschten Vorgängen führen.



WEEE-HINWEIS:

Dieses Gerät ist gemäß der Europäischen Richtlinie 2012/19/EU über Elektro- und Elektronik-Altgeräte (WEEE) gekennzeichnet. Dieses Symbol weist darauf hin, dass dieses Produkt kein normaler Haushaltsabfall ist, sondern in einer entsprechenden Sammelstelle für

Elektro- und Elektronik-Altgeräte entsorgt werden muss.

REMARQUE

Toutes les instructions, garanties et autres documents de garantie sont sujets à la seule discrétion de Horizon Hobby, LLC. Veuillez, pour une littérature produits bien à jour, visiter www.horizonhobby.com ou www.towerhobbies.com et cliquer sur l'onglet de support de ce produit.

SIGNIFICATION DE CERTAINS TERMES SPÉCIFIQUES

Les termes suivants servent, tout au long de la littérature produits, à désigner différents niveaux de blessures potentielles lors de l'utilisation de ce produit :

AVERTISSEMENT : procédures qui, si elles ne sont pas suivies correctement, peuvent entraîner des dégâts matériels, des dommages collatéraux et des blessures graves OU engendrer une probabilité élevée de blessure superficielle.

ATTENTION : procédures qui, si elles ne sont pas suivies correctement, peuvent entraîner des dégâts matériels ET des blessures graves.

REMARQUE : procédures qui, si elles ne sont pas suivies correctement, peuvent entraîner des dégâts matériels ET éventuellement un faible risque de blessures.



AVERTISSEMENT : Lisez la TOTALITE du manuel d'utilisation afin de vous familiariser avec les caractéristiques du produit avant de le faire fonctionner. Une utilisation incorrecte du produit peut avoir comme résultat un endommagement du produit lui-même, celui de propriétés personnelles voire entraîner des blessures graves.

Ceci est un produit de loisirs perfectionné et NON PAS un jouet. Il doit être manipulé avec prudence et bon sens et requiert quelques aptitudes de base à la mécanique. L'incapacité à manipuler ce produit de manière sûre et responsable peut provoquer des blessures ou des dommages au produit ou à d'autres biens. Ce produit n'est pas destiné à être utilisé par des enfants sans la surveillance directe d'un adulte. Ne pas essayer de désassembler le produit, de l'utiliser avec des composants incompatibles ou d'en améliorer les performances sans l'approbation de Horizon Hobby, LLC. Ce manuel comporte des instructions de sécurité, d'utilisation et d'entretien. Il est capital de lire et de respecter toutes les instructions et avertissements du manuel avant l'assemblage, le réglage ou l'utilisation afin de le manipuler correctement et d'éviter les dommages ou les blessures graves.

14 ans et plus. Ceci n'est pas un jouet.

Précautions et Avertissements Supplémentaires Liés à la Sécurité

En tant qu'utilisateur de ce produit, il relève de votre seule responsabilité de le faire fonctionner de façon à préserver votre sécurité ainsi que celle des autres personnes et de manière à ne pas endommager le produit ni à occasionner de dégâts matériels à l'égard d'autrui.

- Tenez toujours le bateau par les côtés quand vous le manipulez et/ou transportez afin d'éloigner de vous les parties mobiles.
- Maintenez toujours une distance de sécurité adéquate dans toutes les directions autour de votre modèle afin d'éviter les collisions et blessures. Ce modèle est contrôlé par un signal radio, qui peut être soumis à des interférences provenant de nombreuses sources hors de votre contrôle. Les interférences sont susceptibles d'entraîner une perte de contrôle momentanée.
- Faites toujours fonctionner votre modèle dans des espaces dégagés, à l'écart des véhicules, de la circulation et des personnes.
- Respectez toujours scrupuleusement les instructions et avertissements relatifs à votre modèle et à tous les équipements complémentaires optionnels utilisés (chargeurs, packs de batteries rechargeables, etc.).
- Tenez toujours tous les produits chimiques, les petites pièces et les composants électriques hors de portée des enfants.
- Évitez toujours d'exposer à l'eau tout équipement non conçu et protégé à cet effet. L'humidité endommage les composants électroniques.
- Ne mettez jamais aucune partie du modèle dans votre bouche. Vous vous exposeriez à un risque de blessure grave, voire mortelle.
- Ne faites jamais fonctionner votre modèle lorsque les batteries de l'émetteur sont faibles.

Table des matières

Bateau équipé d'une électronique étanche.....	31	Maintenance après utilisation.....	38
Précautions générales.....	31	Affectation.....	38
Maintenance après utilisation.....	31	Failsafe.....	38
Caractéristiques.....	31	Entretien du moteur.....	38
Outils et matériaux recommandés.....	32	Circuit de refroidissement.....	39
Assemblage du ber.....	32	Inspection du gouvernail.....	39
Installation du tube d'antenne.....	32	Inspection de l'hélice.....	39
Ouverture du cockpit.....	33	Réglage de l'inclinaison de l'hélice.....	39
Installation des batteries.....	33	Lubrification de la transmission.....	40
Émetteur Spektrum DX2E.....	34	Programmation de l'émetteur.....	40
Installation des piles de l'émetteur.....	34	Guide de dépannage.....	41
Chargeur de batterie.....	34	Garantie et Réparations.....	42
Coupure basse tension (LVC).....	35	Coordonnées de Garantie et réparations.....	43
Type de batterie.....	35	Information IC.....	43
Démarrage.....	35	Déclaration de conformité de l'Union européenne.....	43
Vérification de contrôle.....	36	Élimination dans l'Union européenne.....	43
Test de votre bateau dans l'eau.....	36	Pièces de rechange.....	58
Conseils de navigation.....	37	Pièces recommandées.....	58
Après la navigation.....	37	Pièces optionnelles.....	59

Bateau équipé d'une électronique étanche

Votre nouveau bateau Horizon Hobby a été conçu et fabriqué en combinant des composants étanches et des composants résistants à l'eau vous permettant d'utiliser ce produit en eau douce par conditions calmes.

Bien que le bateau possède une grande résistance vis à vis de l'eau, il n'est pas entièrement étanche et votre bateau ne doit PAS être immergé comme un sous-marin. Les différents composants électroniques installés dans le bateau le ou les servo(s) et le récepteur sont étanches, cependant la plupart des composants mécaniques résistent aux projections d'eau mais nécessitent une maintenance après utilisation.

Les pièces métalliques comme les roulements, les axes, les vis, les écrous, l'hélice, le gouvernail, le support de gouvernail et la chaise d'hélice ainsi que les contacts des prises des câbles électriques sont exposés à l'oxydation si vous n'effectuez un entretien soigné après avoir utilisé le bateau. Pour conserver à long terme les performances de votre bateau et conserver la garantie, les procédures décrites dans la section «Maintenance après utilisation» doivent être systématiquement effectués à la fin de chaque journée d'utilisation.



ATTENTION : Un défaut de soin durant l'utilisation et un non-respect des consignes suivantes peut entraîner un dysfonctionnement du produit et/ou annuler la garantie.

Précautions générales

- Lisez avec attention les procédures de maintenance et vérifiez que vous possédez tous les outils nécessaires pour effectuer la maintenance du bateau.
- Toutes les batteries ne peuvent être utilisées en conditions humides. Consultez la documentation du fabricant de votre batterie avant utilisation. N'utilisez pas des batteries L'utilisation de batteries Li-Po dans des conditions humides nécessite une attention particulière.
- La majorité des émetteurs ne résistent pas aux projections d'eau. Consultez le manuel ou le fabricant de votre émetteur avant utilisation.
- N'utilisez jamais votre émetteur ou votre bateau sous un orage.
- L'eau salée est très conductrice et corrosive. Si vous décidez d'utiliser votre bateau en eau salée, rincez-le à l'eau douce immédiatement après utilisation. L'utilisation du bateau en eau salée est sous l'entière responsabilité de l'utilisateur.

ATTENTION : Tenez toujours éloigné des parties en rotation, les mains, les doigts, les outils ou autre objet suspendu.

- Retirez la batterie et séchez ses contacts. Si vous possédez un compresseur d'air ou une bombe d'air compressé, chassez toute l'humidité qui se trouve dans la prise.
- Retirez le flexible et toutes les parties mobiles. Séchez et lubrifiez les éléments après toutes les 30 minutes d'utilisation ou si le bateau s'est retrouvé immergé.

REMARQUE : N'utilisez jamais un nettoyeur haute pression pour nettoyer le bateau.

- Utilisez un compresseur d'air ou une bombe d'air compressée pour sécher le bateau et vous aider à retirer l'eau logée dans les recoins et sur la visserie.
- Pulvérisez du lubrifiant anti-humidité sur les roulements, la visserie et autres pièces métalliques.
- Laissez le bateau sécher avant de le ranger. L'eau (et l'huile) peuvent continuer à s'écouler durant quelques heures.

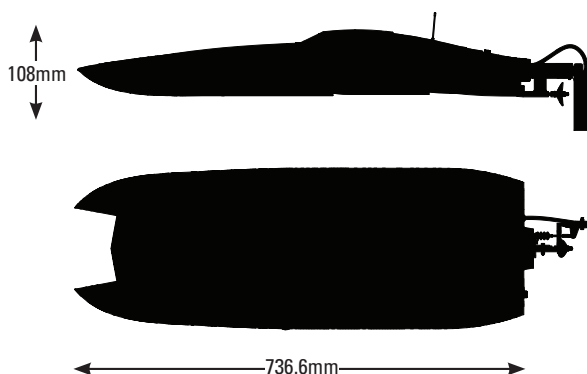
Maintenance après utilisation

- Evacuez l'eau présente dans la coque en retirant le bouchon d'évacuation ou le couvercle et en inclinant le bateau dans la direction appropriée pour assurer l'évacuation de l'eau.

Caracteristiques

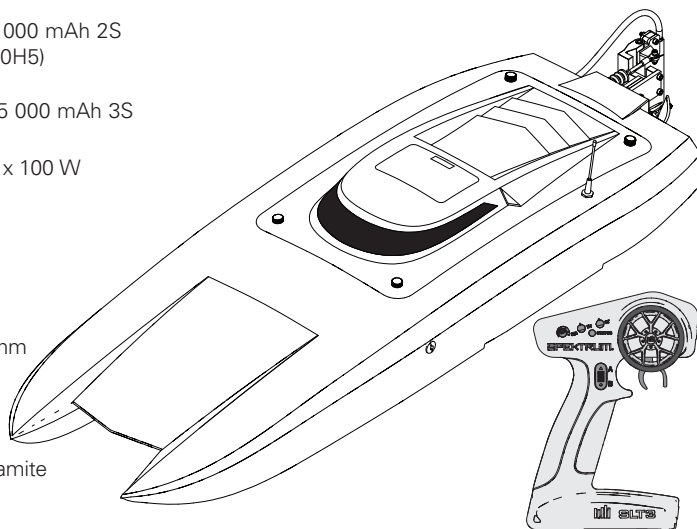
Longueur	736.6mm
Hauteur	108mm
Emetteur	DX2E (SPM2330)
Récepteur	Récepteur Sport SR310 3 voies (SPMSR310)
Coque	Fibre de verre
Moteur	Moteur 3650 6 Pôles Marine 2000Kv (DYNM3831)
Contrôleur	120A BL Marine ESC 2-6S (DYNM3875)
Servo	Servo étanche 3kg, pignon plastique, 23T (SPMS603)

Conseil: 4 piles AA (vendues séparément) sont nécessaires pour faire fonctionner l'émetteur.



Outils et matériaux recommandés

- (2) Batterie Li-Po Spektrum Smart 7,4 V 5 000 mAh 2S 100C, boîtier rigide : IC5 (SPMX50002S100H5)
-or-
- (2) Batterie Li-Po Spektrum Smart 11,1 V 5 000 mAh 3S 100C, boîtier rigide : IC5
- Chargeur Spektrum Smart S2100 CA/CC, 2 x 100 W (SPMXC1010)
- Pince à becs fins
- Papier absorbant
- Alcool dénaturé
- Clé plate : 10 mm (2)
- Clé à douille hexagonale : 8mm, 7mm et 4mm
- Tournevis cruciforme : #1
- Clé BTR : 1.5mm, 2mm, 2.5 mm, 3 mm
- Ruban adhésif transparent (DYNM0102)
- Graisse marine et pistolet (DYNE4200) Dynamite
- Bande auto-agrippante résistante à l'eau (4 morceaux) (DYNK0300)

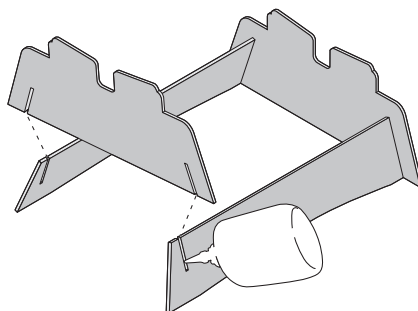


Inspection du produit

Déballiez votre bateau et son émetteur avec précaution. Vérifiez que le bateau n'est pas endommagé. S'il est abîmé, merci de contacter le magasin où vous l'avez acheté, ou contacter le service technique. Veuillez consulter la section Garantie et réparations pour plus d'informations.

Assemblage du ber

1. Insérez les languettes des longerons dans les rainures des 2 supports.
2. Placez le ber sur une surface plane, appliquez de la colle epoxy ou CA pour assurer la liaison entre les pièces.
3. Laissez la colle sécher avant de poser le bateau sur le support.

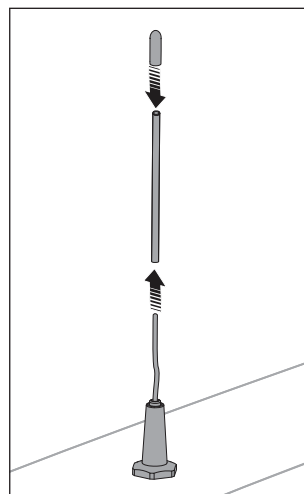


Installation du tube d'antenne

1. Glissez délicatement l'extrémité de la plus longue des antennes dans le passe câble situé sur la coque.
2. Tirez l'antenne à l'extérieur de la coque, puis glissez-la dans le tube.
3. Insérez le tube dans le passe câble, puis installez le capuchon sur le sommet du tube.
4. Faites glisser le canal de refroidissement transparent en silicone de 20 mm par-dessus le passe-câble puis la cosse puis placez le tube dans le canal de refroidissement transparent.

L'antenne doit être correctement installée au-dessus de la ligne de flottaison pour offrir la meilleure réception du signal de l'émetteur.

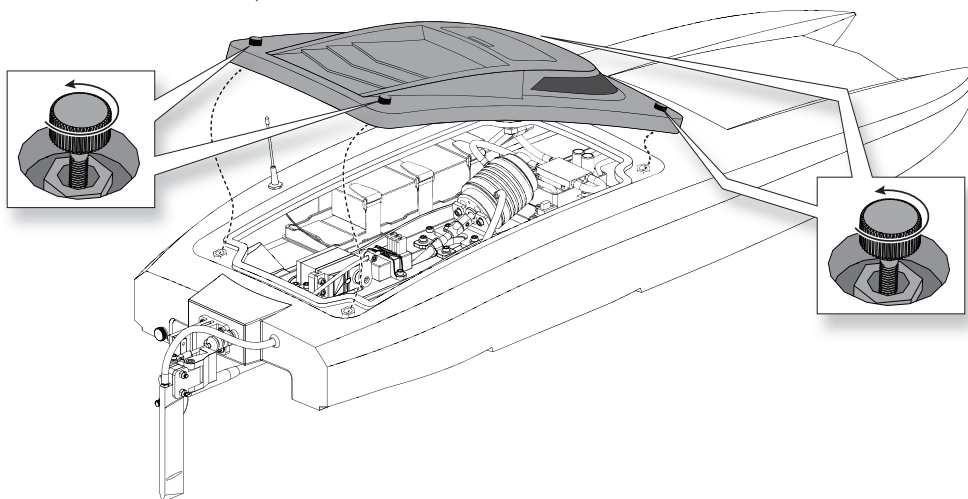
REMARQUE: Ne coupez ou torsadez pas l'antenne sous peine de l'endommager.



Ouverture du cockpit

1. Dévissez les 4 vis situées dans chaque angle du cockpit.
2. Enlevez le cockpit de la coque en commençant avec les 2 vis arrière. Assurez-vous que les 4 vis soient

bien désengagées avant de soulever le cockpit avec précaution.



Installation des batteries

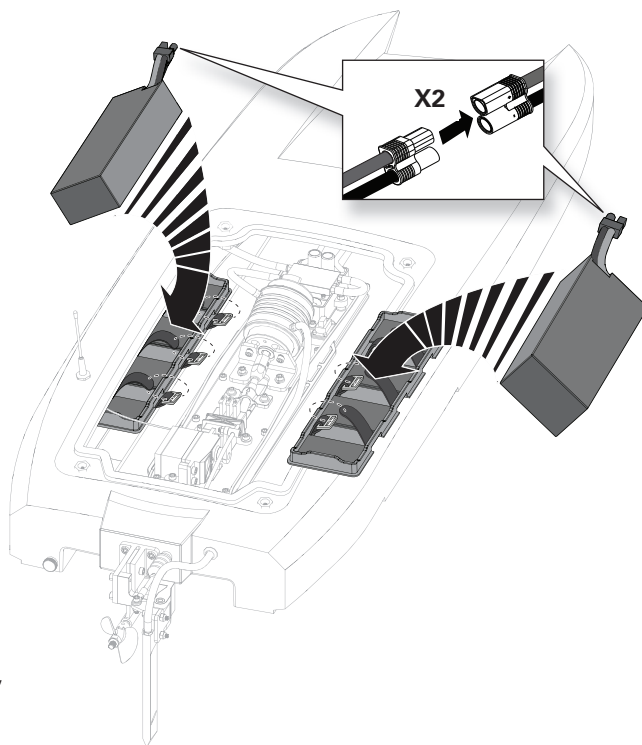
Les composants électroniques sont adaptés à des batteries Li-Po 2S–6S. Cependant, faire fonctionner l'hélice à moteur en continu avec une batterie 6S peut provoquer la surchauffe des composants électroniques ou endommager vos batteries. Si vous faites fonctionner l'hélice à moteur avec une batterie 6S, nous vous recommandons d'utiliser l'étranglement plein sur les retours en ligne droite uniquement. Les retours doivent être à la moitié de l'étranglement pour réduire la température des composants électroniques. Pour utiliser une batterie 6S en continu, utilisez les hélices facultatives (PRB282006 or PRB282027).

1. Installez les 2 batteries sur les côtés droit et gauche de la coque du bateau. Fixez les batteries avec les sangles auto-agrippantes fournies. Lorsque vous naviguez sur des eaux agitées, utilisez de la bande auto-agrippante étanche (DYNK0300) entre les batteries et le support batterie pour optimiser la fixation.

Conseil: Enfoncez au plus possible les batteries dans le support de batterie pour atteindre la vitesse maximale et permettre une manipulation optimale. Si les conditions de l'eau et du vent sont trop fortes, stabilisez le bateau en déplaçant en avant les packs de batterie de 6,4 mm à chaque fois.

2. Connectez les batteries au contrôleur.

L'hélice incluse propose les meilleures performances entre les batteries Li-Po 4S (14,8 V) et 5 S (18,5 V). Il est possible d'obtenir la configuration 5S en installant une batterie Li-Po 3S (DYNB3811EC) sur le côté gauche du bateau et une batterie Li-Po 2S (DYNB3810EC) sur le côté droit du bateau. À gauche, le poids supplémentaire de la batterie 3S va contrecarrer la torsion du couple provoquée par la rotation de l'hélice à grande vitesse.



AVERTISSEMENT : lorsque vous utilisez deux batteries en série, assurez-vous que leur état est presque identique (âge) et qu'elles ont les mêmes capacités (mAh) et taux de décharge (notation C). Le non-respect de cette instruction peut endommager vos batteries et causer un incendie.

Fonctions de l'émetteur

Spécifications

Alimentation électrique : 4 piles AA

Fréquence de fonctionnement : 2,4 GHz

Puissance d'émission : <100 mw

Protocole de contrôle : SLT

Contrôle : direction et gaz/freinage proportionnels avec des boutons de compensateur, troisième canal avec interrupteur à rappel à 3 positions

Fonctions auxiliaires : interrupteur de fin de course des gaz à 3 positions, bouton du taux de direction pour modifier la course de direction à la volée, course de servo programmable pour la direction et les gaz/le freinage

A. Compensateur des gaz

Ajuste le point neutre des gaz

B. Compensateur de direction

Ajuste le point central de direction. En général, le compensateur de direction est ajusté jusqu'à ce que le véhicule aille droit.

C. DEL

- Témoin en rouge fixe : indique que l'appareil est sous tension et que l'alimentation fournie par les piles est adéquate
- Témoin clignotant en rouge : indique que la tension des piles est à un niveau trop bas. Changez les piles

D. Volant

E. Gaz/Frein

F. Taux de direction

Bouton à la volée pour l'ajustement de la course de direction

G. Canal 3

Interrupteur à rappel à 3 positions, la position médiane est neutre

Pour la programmation, appuyez vers le haut pour atteindre le bouton A, appuyez vers le bas pour atteindre le bouton B

H. Limite des gaz

Limite la sortie des gaz à 50/75/100 %.

Sélectionnez 50 % ou 75 % pour les pilotes les moins expérimentés ou lorsque vous pilotez le véhicule dans une petite zone.

I. Inversion du servo des gaz (TH)

Déplacez le commutateur pour inverser le canal des gaz

J. Inversion du servo de direction (ST)

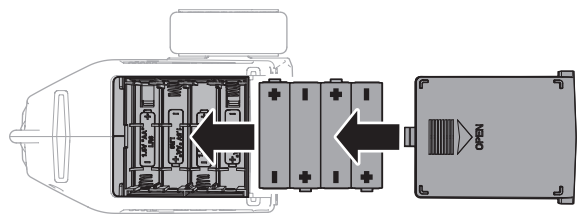
Déplacez le commutateur pour inverser le canal de direction

K. Bouton d'alimentation

Installation des piles de l'émetteur

Cet émetteur nécessite 4 piles AA.

1. Enlevez le couvercle du compartiment à piles de l'émetteur.
2. Installez les piles comme indiqué.
3. Remettez le couvercle du compartiment à piles.



ATTENTION : si vous utilisez des piles rechargeables, ne chargez que ce type de pile. Si vous chargez des piles non rechargeables, celles-ci pourraient exploser et provoquer des dommages corporels et/ou matériels.



ATTENTION : risque d'explosion si la pile est remplacée par une mauvaise pile. Mettez les piles usagées au rebut conformément aux réglementations nationales.

Réinitialisation aux paramètres d'usine

Il s'agit d'un mode caché permettant de réinitialiser la course de servo et l'étalonnage dans l'émetteur.

1. Maintenez les commandes entièrement à gauche et en freinage complet tout en allumant l'émetteur pour mettre l'émetteur en mode programmation.
La DEL clignote 4 fois puis s'éteint pour indiquer la réinitialisation aux paramètres d'usine.
2. Relâchez le volant et la manette des gaz pour les remettre en position neutre, puis la DEL s'allume pour indiquer que la réinitialisation aux paramètres d'usine est terminée.
3. Éteignez l'émetteur.

Chargeur de batterie

Choisissez un chargeur conçu pour charger la(les) (2) batterie(s) Li-Po Spektrum Smart 7,4 V 5 000 mAh 2S 100C à boîtier rigide recommandée(s) : IC5 (SPMX50002S100H5) ou la(les) (2) batterie(s) Li-Po Spektrum Smart 11,1 V 5 000 mAh 3S 100C à boîtier rigide : IC5 (SPMX50003S100H5). Nous recommandons le chargeur CA Spektrum Smart S2100, 2x100 W (SPMXC1010). Consultez le manuel du chargeur

pour les instructions relatives à la charge et les consignes de sécurité.

REMARQUE: N'effectuez jamais la charge de la batterie en la laissant dans la coque du bateau, sous peine d'endommagement.

Coupure basse tension (LVC)

La décharge d'une batterie Li-Po en dessous de 3V par élément l'endommagera. Le contrôleur installé dans le bateau protège la batterie d'une décharge trop importante en utilisant la fonction de coupure basse tension. Avant que la tension de la batterie soit à la valeur minimale approuvée, la puissance du moteur sera limitée. Le moteur va émettre des pulsations et le contrôle sera conservé, permettant un retour à la berge en toute sécurité.

Toujours déconnecter et retirer la batterie du bateau après utilisation afin de limiter l'auto-décharge de la batterie. Chargez la batterie à la moitié de sa capacité maximale avant de l'entreposer. Durant le stockage, contrôlez que la tension ne chute pas sous 3V par élément. Le LVC ne permet pas d'éviter l'auto-décharge de la batterie durant le stockage.

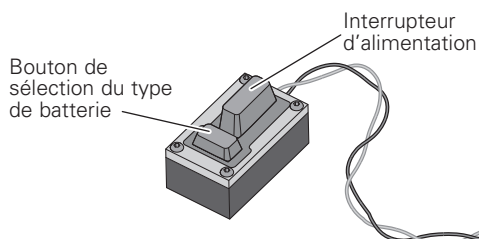
REMARQUE: Une utilisation répétée jusqu'à l'enclenchement du LVC risque d'endommager la batterie.

Conseil : vérifiez la tension de la batterie de votre bateau avant de naviguer et après en utilisant un contrôleur pour batterie Spektrum XBC100 et servomoteur (SPMXBC100, vendu séparément).

Type de batterie

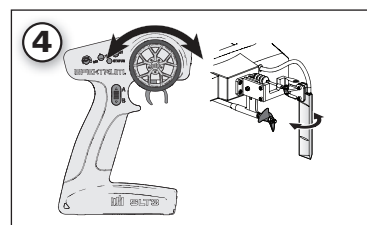
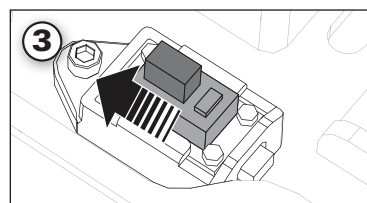
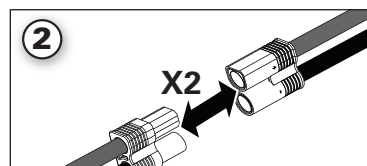
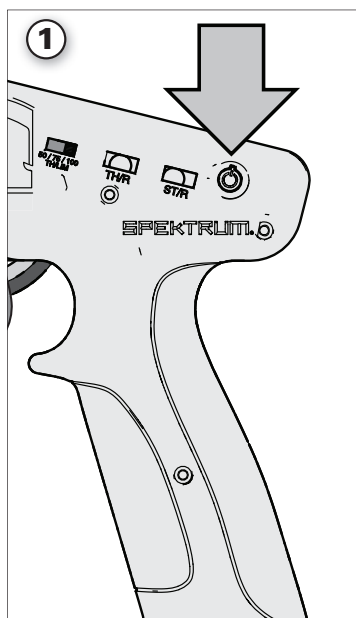
Le contrôleur est configuré par défaut en mode Li-Po. Pour changer le type de batterie:

1. Laissez les gaz au neutre et mettez le contrôleur sous tension.
2. Maintenez appuyé durant 3 secondes le bouton de sélection du type de batterie. La DEL clignote pour vous indiquer le type de batterie (Rouge=Ni-MH ou Vert=Li-Po).
3. Continuez de maintenir appuyé le bouton durant 6 secondes. Le contrôleur applique le changement de type de batterie et la DEL clignote pour indiquer le type de batterie sélectionné.
4. Mettez le contrôleur hors tension. Le paramètre est enregistré jusqu'au prochain changement de type de batterie.



Démarrage

1. Mettez l'émetteur sous tension.
2. Connectez les 2 batteries aux connecteurs EC5 du contrôleur.
3. Mettez le contrôleur sous tension. Le contrôleur émettra des tonalités d'armement.
4. Testez les commandes en plaçant le bateau sur son ber.



Récepteur double protocole SPMSR315

Spécifications

Type : récepteur 3 canaux double protocole* (SLT/DSMR)

Dimensions (L x l x H) : 32,5 x 21,5 x 12,4 mm

Longueur d'antenne : 90 mm

Canaux : 3

Poids : 6 g

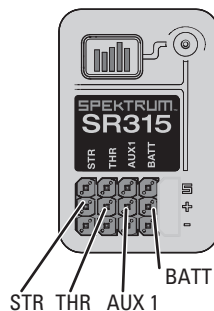
Bande : 2,4 GHz

Plage de tension : 3,5 à 9,6 V

Type d'affectation : bouton d'affectation

Sécurité intégrée : maintenez le volant et la manette des gaz dans les positions de sécurité intégrée souhaitées pendant l'affectation

* Les récepteurs SPMSR315 inclus avec l'émetteur SLT3 assurent la compatibilité SLT et DSMR. Si vous disposez d'un récepteur SR315 que vous avez acheté seul, vous aurez peut-être besoin d'installer une mise à jour du micrologiciel pour rendre votre SR315 compatible SLT.



Antenne du récepteur

Les récepteurs SR315 comportent une antenne à jupe pour une installation facile dans presque tous les modèles. Sachez que seul le dernier pouce (32 mm) au bout de l'antenne représente la partie active de l'antenne, la partie coaxiale qui y mène est juste un prolongement. Installez l'antenne de manière à ce que la partie active soit positionnée aussi haut que possible dans le véhicule, et pas « dans l'ombre » d'un élément en fibre de carbone ou métal. Le boîtier du récepteur peut accepter directement un tube d'antenne, ce qui permet de placer facilement l'antenne de manière optimale (le tube d'antenne n'est pas inclus).

AVERTISSEMENT : veillez à ne pas tordre, couper ou endommager le fil d'antenne. L'antenne est constituée d'un câble coaxial ; si la gaine extérieure est endommagée, le récepteur ne fonctionnera pas correctement. Si l'antenne est endommagée de quelque manière que ce soit, remplacez-la avant d'utiliser le récepteur.

Affectation

L'affectation est le processus de programmation du récepteur qui vise à reconnaître le code GUID (identificateur global unique) d'un émetteur unique spécifique.

1. Maintenez enfoncé le bouton d'affectation et allumez le récepteur ; le témoin DEL orange commence à clignoter.
2. Placez les compensateurs et les positions de commande sur les réglages de sécurité intégrée souhaités, et allumez l'émetteur SLT3.
3. Lorsque la DEL orange de l'émetteur SLT3 reste allumée, celui-ci est connecté au récepteur SR315.

Vous devez effectuer à nouveau l'affectation :

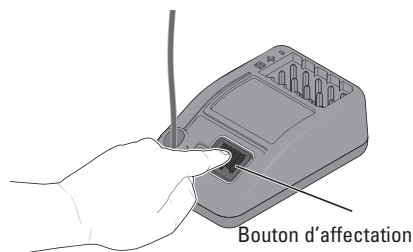
- si différentes positions de sécurité intégrée sont souhaitées, par ex. lors du changement de l'inversion des gaz ou de la direction.
- lors de l'affectation du récepteur à un émetteur différent.

Failsafe

Dans l'hypothèse fortement improbable d'une perte de la liaison radio en cours d'utilisation, le récepteur mettra les servos en position failsafe, comme programmé lors de l'affectation.

Si le récepteur est allumé avant l'émetteur, le récepteur entre en mode de sécurité intégrée, amenant les servos à leurs positions de sécurité pré-réglées. Une fois que l'émetteur est mis sous tension, les commandes redeviennent normales.

IMPORTANT : Le failsafe ne s'active qu'en cas de perte du signal venant de l'émetteur. Le FailSafe ne S'ACTIVERA PAS si la tension de la batterie de réception descend sous la tension minimum recommandée ou que l'alimentation du récepteur est interrompue.



Course de servo

La course de servo sur les canaux de direction et des gaz peut être ajustée par le biais d'un mode de programmation spécial dans l'émetteur.

1. Commencez une fois que le processus d'affectation de l'émetteur au récepteur est terminé. Allumez le récepteur.
2. Maintenez les commandes entièrement à droite et en freinage complet tout en allumant l'émetteur pour mettre l'émetteur en mode programmation.

La DEL de l'émetteur clignote 4 fois pour indiquer que l'émetteur est en mode programmation.

3. Tournez et maintenez le volant entièrement à gauche pour paramétrer la limite de course dans cette direction. Appuyez sur le bouton A pour augmenter la course, appuyez sur le bouton B pour réduire la course. La DEL clignote une fois à chaque changement. Remettez le volant au centre pour paramétrer la valeur de course.

IMPORTANT : si la valeur a atteint le maximum ou le minimum pouvant être accepté, la DEL ne clignote plus à chaque entrée supplémentaire.

4. Tournez le volant à droite et répétez le processus pour paramétrer la course de direction vers la droite.
5. Concernant les véhicules électriques, éteignez l'émetteur pour enregistrer les réglages. Étalonnez votre ESC sur la course de gaz par défaut.
6. Concernant les véhicules à carburant, réglez la course des gaz sans que le moteur ne fonctionne. Après avoir paramétré la course de direction, vous pouvez paramétrer la course des gaz de la même manière. Tirez la manette en position pleins gaz et maintenez-la dans cette position, ajustez la course avec les boutons A et B, puis revenez au centre pour paramétrer la valeur.
7. Poussez la manette en position de freinage complet, ajustez la course avec les boutons A et B, puis revenez au centre.
8. Éteignez l'émetteur pour enregistrer les valeurs.

Vérification de contrôle

IMPORTANT: Procédez à une vérification de contrôle au début de chaque utilisation du bateau, ainsi qu'après des réparations ou l'installation de batteries neuves.

1. Mettez l'émetteur et le bateau sous tension.
N'installez pas le cockpit du bateau.
2. Installez correctement le bateau sur son support.

REMARQUE: Ne faites jamais fonctionner le moteur sans son refroidissement liquide.

3. Contrôlez la direction et les gaz à l'émetteur.



Test de votre bateau dans l'eau

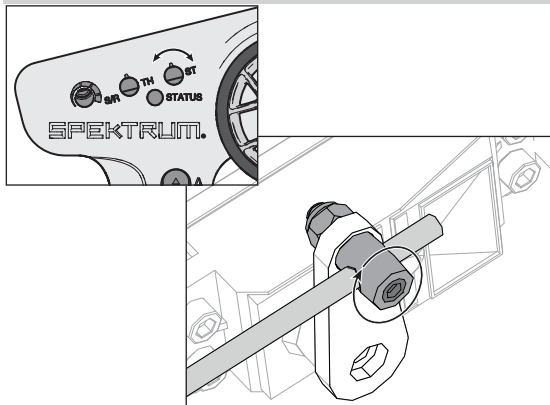
Conseil: Avant de placer votre bateau sur l'eau, sécurisez le couvercle du cockpit à la coque en utilisant de l'adhésif transparent (DYNAM0102).

1. Placez le bateau dans l'eau avec précaution.
2. Faites fonctionner le bateau à vitesse réduite près de la rive. Évitez toujours les éventuels objets qui se trouvent dans l'eau. Quand votre bateau navigue en marche avant, contrôlez qu'il y a bien de l'eau à sortir par l'évacuation du circuit de refroidissement. S'il n'y a pas d'eau à sortir, retirez ce qui bouche le circuit de refroidissement sinon le moteur va surchauffer.
3. Quand vous vous sentez à l'aise à vitesse réduite, vous pouvez éloigner le bateau de la rive.
4. Si la trajectoire du bateau n'est pas rectiligne, réglez le neutre de la direction à l'aide du trim de l'émetteur.

Conseil: si vous utilisez trop de trim de direction sur votre émetteur pour que le bateau aille tout droit, ramenez le trim en position neutre et centrez mécaniquement le gouvernail de direction. Pour effectuer ce réglage, à l'aide d'une clé BTR 1,5mm, desserrez la vis qui maintient la tringlerie sur le servo. Faites glisser la tringlerie dans le domino jusqu'au centrage correct du gouvernail. Serrez la vis à l'aide d'une clé BTR 1,5mm.

5. Fahren Sie das Boot an das Ufer zurück wenn Sie feststellen das es Geschwindigkeit verliert.
6. Éteignez le contrôleur électronique de vitesse et déconnectez les packs de batterie.
7. Laissez le moteur, le contrôleur électronique de vitesse et les packs de batterie se refroidir avant de charger les batteries ou de faire fonctionner à nouveau le bateau.

REMARQUE: Mettez TOUJOURS le récepteur hors tension avant l'émetteur. Si l'émetteur est mis hors tension avant le récepteur, ce dernier entrera en mode failsafe.



Conseils de navigation

Lorsque vous faites naviguer votre bateau pour la première fois, nous vous recommandons de veiller à ce que l'état de l'eau soit calme et le vent faible, ce qui vous permettra de mieux découvrir le comportement du modèle par rapport au commandes.

Les vitesses maximales ne sont atteintes que lorsque l'état de l'eau est calme et que le vent est faible. Un virage serré, le vent ou les vagues peuvent faire chavirer un bateau lorsqu'il se déplace rapidement. Pilotez toujours votre bateau en vous adaptant au vent et à l'eau pour éviter qu'il ne se retourne.

Conseil : Placez du scotch marin souple transparent (DYNAM0102) autour de la canopée lorsque votre bateau se trouve dans des eaux agitées.

Consultez les réglementation locales avant de choisir un plan d'eau pour faire naviguer le bateau.

Ne naviguez pas à proximité:

- De jet-skis
- Du public (zone de baignade et de pêche)
- D'objets fixes
- De vagues ou du sillage d'un bateau
- De forts courants
- De la faune sauvage
- D'objets dérivants
- D'arbres surplombants
- De la végétation

Si l'hélice et le gouvernail sont bloqués par des débris et de la végétation, sortez le bateau de l'eau et retirez les éléments coincés dans le gouvernail et l'hélice.

Réduisez les gaz quand vous amorcez un virage afin d'éviter de retourner le bateau. Si nécessaire, réglez la commande de direction pour réduire la sensibilité.

Ne faites jamais naviguer le bateau dans moins de 30cm de profondeur d'eau.

Si votre bateau se retrouve en difficulté sur l'eau, ramenez-le à la berge en utilisant du matériel de pêche ou un autre bateau.

REMARQUE: lorsque vous naviguez à pleine vitesse dans des eaux agitées, l'hélice peut sortir de l'eau et y rentrer de façon répétée et très rapide, ce qui la soumet à des contraintes élevées. La fréquence répétée de ces contraintes peut endommager l'hélice.

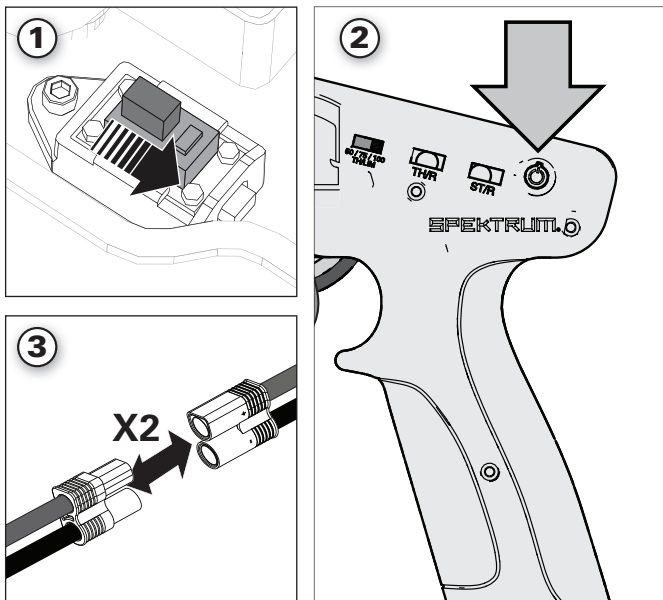
ATTENTION: ne sortez jamais votre bateau par des températures extrêmes ou des eaux agitées.

ATTENTION: ne récupérez jamais votre bateau dans une eau à des températures extrêmes ou agitée, ou encore sans supervision.

Après la navigation

1. Mettez le récepteur hors tension.
2. Mettez l'émetteur hors tension.
3. Déconnectez et retirez la batterie du bateau.

Conseil: Rangez toujours le bateau avec le cockpit ouvert afin d'éviter la formation de moisissure à l'intérieur de la coque.

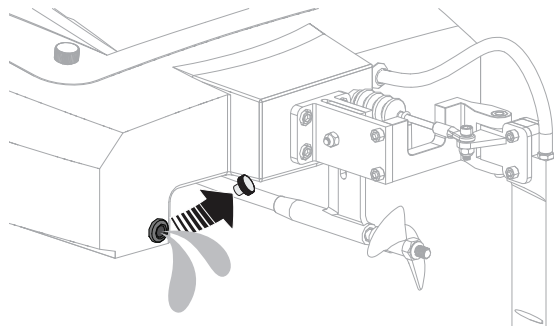


Maintenance après utilisation

- Vidangez l'eau présente dans la coque en retirant le bouchon d'évacuation
- Séchez totalement l'intérieur et l'extérieur de la coque, incluant le circuit de refroidissement. Ouvrez le cockpit pour ranger votre bateau
- Réparez toutes les pièces endommagées ou usées de votre bateau
- Lubrifiez le flexible sur toute sa longueur jusqu'à l'entraîneur en utilisant de la graisse marine Dynamite (DYNE4200)
- Prenez note des leçons liées au réglage de votre bateau, notamment par rapport à l'état de l'eau et au vent

CONSEIL: les bandes auto-agrippantes se trouvant dans le bateau retiennent l'eau. Pour les faire sécher, appuyez dessus avec un chiffon sec.

REMARQUE: Quand la navigation est terminée, ne laissez pas le bateau en plein soleil. Ne rangez pas le bateau dans un endroit chaud et fermé comme une voiture. Sous peine d'endommager le bateau.



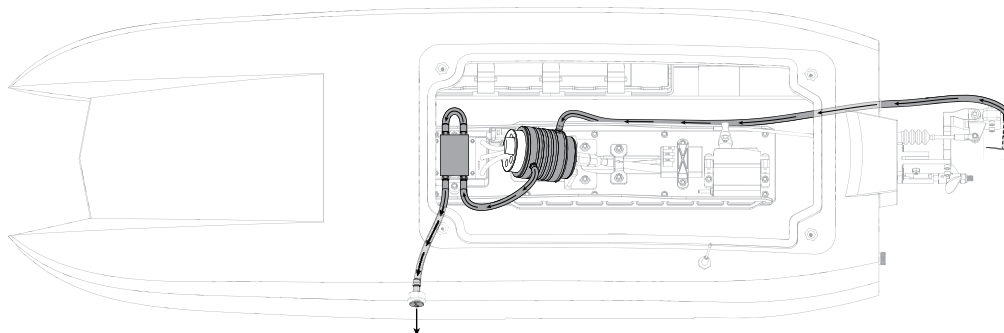
Entretien du moteur

- Prolongez la vie du moteur en évitant les surchauffes. Le moteur peut s'user anormalement suite à de fréquents virages, arrêts et redémarrages, au fait de pousser des objets, de naviguer dans des eaux agitées ou au milieu de végétation ou encore d'avancer systématiquement à grande vitesse.
- Une protection contre les températures élevées est installée sur le contrôleur électronique de vitesse pour éviter d'abîmer les circuits, mais celle-ci ne protégera pas le moteur des poussées contre une forte résistance.
- Utilisez du graisseur de précision Dynamite (DYNE0100) pour entretenir les roulements du moteur. Si les roulements sont mouillés, utilisez le liquide de déplacement d'eau puis huilez les roulements afin d'éviter qu'ils ne rouillent ou dysfonctionnent.

Circuit de refroidissement

Si l'eau ne s'échappe pas par les évacuations lorsque le bateau se déplace vers l'avant, ramenez immédiatement le bateau vers la berge et nettoyez le circuit de refroidissement.

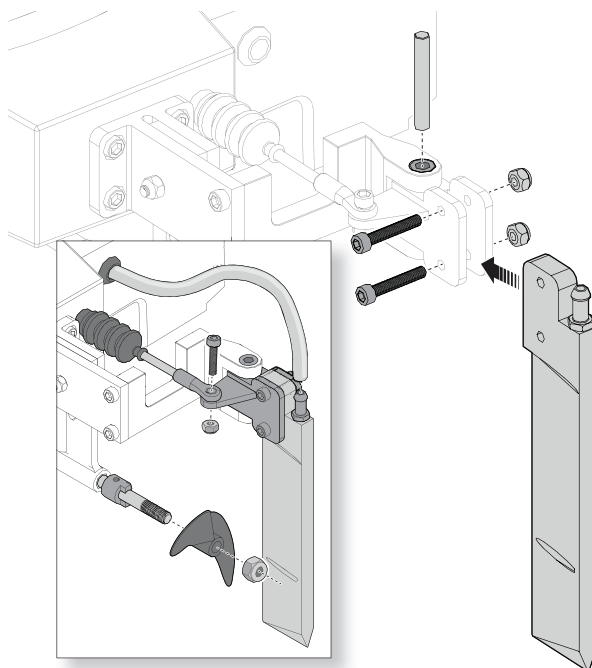
1. Démontez le circuit de refroidissement pour le nettoyer et ainsi éviter les risques de surchauffe.
2. Remplacez les éléments endommagés.



Inspection du gouvernail

1. Déconnectez la durite du gouvernail.
2. Retirez l'écrou, la vis et la tringlerie du gouvernail.
3. Pivotez le gouvernail et desserrez la vis sans tête assurant la liaison avec l'axe.
4. Retournez le bateau et tapez légèrement sur l'axe pour le retirer.
5. Le remontage s'effectue en ordre inverse.

Conseil : Utilisez un boulon de sécurité en nylon (PRB285000) pour remplacer le boulon de sécurité du gouvernail.



Inspection de l'hélice

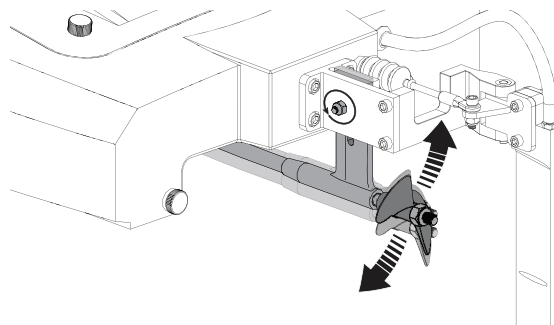
1. Utilisez une clé de 8mm (DYN2805) pour desserrer l'écrou de fixation d'hélice. Pour maintenir l'hélice en place lorsque vous dévissez l'écrou, tenez l'hélice à la main.
2. Retirez l'écrou auto-freiné et l'hélice de l'arbre de transmission.
3. L'assemblage s'effectue en ordre inverse. Alignez correctement l'hélice par rapport à l'entraîneur.

Réglage de l'inclinaison de l'hélice

Si vous relevez l'hélice, vous augmenterez la vitesse de pointe mais vous perdrez en maniabilité.

Si vous abaissez l'hélice, vous aurez une meilleure stabilité mais vous perdrez en vitesse.

1. À l'aide d'une clé BTR 3mm et d'une clé plate 7mm, desserrez l'écrou de la chaise d'hélice.
2. Faites glisser la chaise vers le haut ou le bas pour modifier l'angle de l'hélice par rapport à la coque.
3. Une fois l'angle voulu atteint, serrez les vis et les écrous.



Lubrification de la transmission

Toujours remplacer le flexible quand il est endommagé ou qu'il présente des traces d'usure. Un non respect de cette consigne vous expose à un risque de blessures corporelles ou des dégâts matériels.

La lubrification du flexible est vitale pour la durée de vie de la transmission. La graisse assure également l'étanchéité en empêchant l'eau de rentrer par le presse étoupe.

Lubrifiez l'arbre flexible et le hauban de l'hélice après chaque 30 minutes de fonctionnement et à chaque fois que vous changez les batteries.

1. A l'intérieur de la coque, utilisez 2 clés plates ouvertes de 10mm pour desserrer l'accouplement du flexible.
2. Faites glisser le flexible vers l'arrière du bateau.
3. Essuyez l'ancien lubrifiant et les salissures présentes sur le flexible.

Conseil: Utilisez du spray moteur (DYN5500) pour retirer la graisse accumulée.

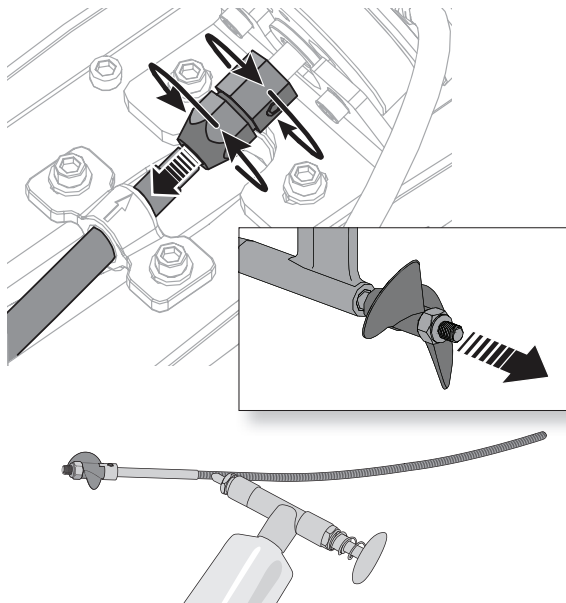
4. Lubrifiez le flexible sur toute sa longueur jusqu'à l'entraîneur en utilisant de la graisse marine (DYNE4200). Appliquez également de la graisse sur le filetage de l'accouplement.
5. Insérez délicatement le flexible dans la chaise d'hélice et l'accouplement. Si le flexible entre ou sort difficilement de l'accouplement, tournez-le vers la droite en tirant ou en l'insérant dans la bague.

REMARQUE: Ne tournez pas le flexible vers la gauche dans l'accouplement.

Assurez-vous de laisser un écart de 2mm entre l'entraîneur et la chaise d'hélice pour compenser le raccourcissement du flexible sous la charge.

REMARQUE: L'utilisation du bateau en eau salée peut causer la corrosion de certaines pièces. Si vous utilisez votre bateau en eau salée, après chaque utilisation vous devrez le rincer abondamment avec de l'eau fraîche et lubrifier sa transmission.

REMARQUE: Compte tenu des effets corrosifs, l'utilisation du bateau en eau salée est sous l'entière responsabilité de l'utilisateur.



Programmation de l'émetteur

1. Pressez et maintenez la gâchette des gaz en position plein gaz et mettez le contrôleur sous tension.
2. Au bout de 2 secondes, une tonalité "-B-B" retentira. Attendez encore 5 secondes et le contrôleur émettra une tonalité ascendante indiquant son entrée en **Mode programmation**.
3. Après l'entrée en Mode programmation, vous entendrez 4 tonalités à la suite indiquant les **Fonctions programmables**. Poussez la gâchette des gaz en position freinage maximal dans les 3 secondes suivant la tonalité correspondant à la fonction que vous voulez.
4. Après avoir sélectionné la fonction, vous entendrez plusieurs tonalités à la suite pour indiquer la **Valeur programmable**. Pressez la gâchette des gaz à fond pour sélectionner la valeur correspondant à la tonalité. Le contrôleur émettra une tonalité ascendante pour indiquer que la valeur est sélectionnée.
5. Maintenez la gâchette en position plein gaz pour retourner à l'étape 3 et continuer la programmation. Placez la gâchette des gaz en position freinage maximal dans les 2 secondes pour sortir du Mode programmation.

Les cases surlignées en noir sont les paramètres par défaut

Fonctions programmables	Valeurs Programmables							
	-B	-B-B	-B-B-B	-B-B-B-B	-B Tonalité simple	B— Tonalité longue		
					B—	B— -B	B— -B-B	B— -B-B-B
Mode de fonctionnement -B	Marche avant seule	Marche avant / Marche arrière						
Nombre d'éléments Li-Po -B-B	Automatique	2s	3s					
Coupe basse tension -B-B-B	Pas de protection	2,8V par élément	3,0V par élément	3,2V par élément	3,4V par élément			
Avance -B-B-B-B	0.00°	3.75°	7.50°	11.25°	15.00°	18.75°	22.50°	26.25°



Guide de dépannage

Problème	Cause possible	Solution
Le bateau ne répond pas à la commande des gaz mais répond aux autres commandes	La voie des gaz est inversée	Inversez la voie des gaz sur l'émetteur
Vibration ou bruit excessif	Hélice, arbre ou moteur endommagés	Remplacez les pièces endommagées
	L'hélice est déséquilibrée	Équilibrez l'hélice ou remplacez-la
Temps de navigation réduit ou manque de puissance du bateau	La charge de la batterie du bateau est faible	Rechargez complètement la batterie
	La batterie du bateau est endommagée	Remplacez la batterie du bateau et suivez les instructions correspondantes
	Blocage ou friction sur l'arbre ou l'hélice	Démontez les pièces, lubrifiez-les et alignez-les correctement
	Il fait peut-être trop froid pour naviguer	Assurez-vous que batterie est au minimum à 10°C
	La capacité de la batterie est peut-être trop faible pour les conditions de navigation	Changez la batterie ou utilisez une batterie dont la capacité est plus importante
	Transmission pas assez lubrifiée	Lubrifiez complètement la transmission
	De la végétation ou d'autres obstacles bloquent l'hélice	Retirez la végétation ou les débris logés dans l'hélice
Il est impossible d'affecter le bateau à l'émetteur (durant l'affectation)	L'émetteur est trop proche du bateau lors du processus d'affectation	Éloignez un peu l'émetteur allumé du bateau, déconnectez la batterie de celui-ci, puis reconnectez-la
	Le bateau ou l'émetteur sont trop près d'un objet métallique de grande taille ou d'un réseau sans fil	Déplacez le bateau et l'émetteur à distance de cet objet
	Un autre émetteur compatible est en mode affectation à proximité du récepteur	Mettez tous les émetteurs compatibles hors tension sauf celui que vous êtes en train d'affecter
	La charge de la batterie du bateau ou de l'émetteur est trop faible	Remplacez ou rechargez les batteries
	Interrupteur du contrôleur en position OFF	Mettez le contrôleur sous tension
Échec de la liaison entre le bateau et l'émetteur (après affectation)	L'émetteur est trop proche du bateau lors du processus de liaison	Éloignez un peu l'émetteur allumé du bateau, déconnectez la batterie de celui-ci, puis reconnectez-la
	Le bateau ou l'émetteur sont trop près d'un objet métallique de grande taille, d'un réseau sans fil ou d'un autre émetteur	Déplacez le bateau et l'émetteur à distance de cet objet
	La charge de la batterie du bateau ou de l'émetteur est trop faible	Remplacez ou rechargez les batteries
	Interrupteur du contrôleur en position OFF	Mettez le contrôleur sous tension
Le bateau tend à plonger dans l'eau ou prend l'eau	La coque du bateau n'est pas complètement fermée	Faites sécher le bateau et vérifiez que la fermeture entre le panneau d'écouille et la coque est bien étanche avant de remettre le bateau à l'eau
	Le centre de gravité est trop à l'avant du bateau	Déplacez les batteries vers l'arrière dans la coque
Les commandes sont inversées	Les réglages de l'émetteur sont inversés	Procédez au test de contrôle de la direction et réglez correctement les commandes sur l'émetteur
Surchauffe du moteur	Système de refroidissement bouché	Nettoyez ou remplacez le système de refroidissement
L'alimentation du moteur fait entendre des impulsions, puis le moteur perd en puissance	Il fait peut-être trop froid pour naviguer	Attendez que le temps se réchauffe
	La batterie est ancienne, usée ou endommagée	Remplacez la batterie
Le bateau avance ou recule sans toucher les commandes	Le trim des gaz n'est pas centré	Mettez le trim des gaz au neutre (12h)
Le bateau n'a pas une trajectoire droite	Le trim de direction n'est pas centré	Réglez le trim de direction afin d'avoir une trajectoire droite
Pas ou peu de direction	Le débattement de la direction n'est pas bien réglé	Réglez le potentiomètre de débattement de la direction (ST RATE) sur l'émetteur
	Le servo ne fonctionne pas	Contactez le service technique Horizon Hobby
Pas ou peu de gaz	Le contrôleur ne fonctionne pas	Contactez le service technique Horizon Hobby
	Le moteur ne fonctionne pas	Contactez le service technique Horizon Hobby
Le contrôleur émet une tonalité continue lors de la mise sous tension	Le trim des gaz n'est pas centré	Centrez le trim des gaz sur l'émetteur

Garantie et Réparations

Durée de la garantie

Garantie exclusive – Horizon Hobby, LLC (Horizon) garantit que le Produit acheté (le « Produit ») sera exempt de défauts matériels et de fabrication à sa date d'achat par l'Acheteur. La durée de garantie correspond aux dispositions légales du pays dans lequel le produit a été acquis. La durée de garantie est de 6 mois et la durée d'obligation de garantie de 18 mois à l'expiration de la période de garantie.

Limitations de la garantie

(a) La garantie est donnée à l'acheteur initial (« Acheteur ») et n'est pas transférable. Le recours de l'acheteur consiste en la réparation ou en l'échange dans le cadre de cette garantie. La garantie s'applique uniquement aux produits achetés chez un revendeur Horizon agréé. Les ventes faites à des tiers ne sont pas couvertes par cette garantie. Les revendications en garantie seront acceptées sur fourniture d'une preuve d'achat valide uniquement. Horizon se réserve le droit de modifier les dispositions de la présente garantie sans avis préalable et révoque alors les dispositions de garantie existantes.

(b) Horizon n'endosse aucune garantie quant à la vendabilité du produit ou aux capacités et à la forme physique de l'utilisateur pour une utilisation donnée du produit. Il est de la seule responsabilité de l'acheteur de vérifier si le produit correspond à ses capacités et à l'utilisation prévue.

(c) Recours de l'acheteur – Il est de la seule discrétion d'Horizon de déterminer si un produit présentant un cas de garantie sera réparé ou échangé. Ce sont là les recours exclusifs de l'acheteur lorsqu'un défaut est constaté.

Horizon se réserve la possibilité de vérifier tous les éléments utilisés et susceptibles d'être intégrés dans le cas de garantie. La décision de réparer ou de remplacer le produit est du seul ressort d'Horizon. La garantie exclut les défauts esthétiques ou les défauts provoqués par des cas de force majeure, une manipulation incorrecte du produit, une utilisation incorrecte ou commerciale de ce dernier ou encore des modifications de quelque nature qu'elles soient.

La garantie ne couvre pas les dégâts résultant d'un montage ou d'une manipulation erronés, d'accidents ou encore du fonctionnement ainsi que des tentatives d'entretien ou de réparation non effectuées par Horizon. Les retours effectués par le fait de l'acheteur directement à Horizon ou à l'une de ses représentations nationales requièrent une confirmation écrite.

Limitation des dommages

Horizon ne saurait être tenu pour responsable de dommages conséquents directs ou indirects, de pertes de revenus ou de pertes commerciales, liés de quelque manière que ce soit au produit et ce, indépendamment du fait qu'un recours puisse être formulé en relation avec un contrat, la garantie ou l'obligation de garantie. Par ailleurs, Horizon n'acceptera pas de recours issus d'un cas de garantie lorsque ces recours dépassent la valeur unitaire du produit. Horizon n'exerce aucune influence sur le montage, l'utilisation ou la maintenance du produit ou sur d'éventuelles combinaisons de produits choisis par l'acheteur. Horizon ne prend en compte aucune garantie et n'accepte aucun recours pour les blessures ou les dommages pouvant en résulter. Horizon Hobby ne saurait être tenu responsable d'une utilisation ne respectant pas les lois, les règles ou réglementations

en vigueur. En utilisant et en montant le produit, l'acheteur accepte sans restriction ni réserve toutes les dispositions relatives à la garantie figurant dans le présent document. Si vous n'êtes pas prêt, en tant qu'acheteur, à accepter ces dispositions en relation avec l'utilisation du produit, nous vous demandons de restituer au vendeur le produit complet, non utilisé et dans son emballage d'origine.

Indications relatives à la sécurité

Ceci est un produit de loisirs perfectionné et non un jouet. Il doit être utilisé avec précaution et bon sens et nécessite quelques aptitudes mécaniques ainsi que mentales. L'incapacité à utiliser le produit de manière sûre et raisonnable peut provoquer des blessures et des dégâts matériels conséquents. Ce produit n'est pas destiné à être utilisé par des enfants sans la surveillance par un tuteur. La notice d'utilisation contient des indications relatives à la sécurité ainsi que des indications concernant la maintenance et le fonctionnement du produit. Il est absolument indispensable de lire et de comprendre ces indications avant la première mise en service. C'est uniquement ainsi qu'il sera possible d'éviter une manipulation erronée et des accidents entraînant des blessures et des dégâts. Horizon Hobby ne saurait être tenu responsable d'une utilisation ne respectant pas les lois, les règles ou réglementations en vigueur.

Questions, assistance et réparations

Votre revendeur spécialisé local et le point de vente ne peuvent effectuer une estimation d'éligibilité à l'application de la garantie sans avoir consulté Horizon. Cela vaut également pour les réparations sous garantie. Vous voudrez bien, dans un tel cas, contacter le revendeur qui conviendra avec Horizon d'une décision appropriée, destinée à vous aider le plus rapidement possible.

Maintenance et réparation

Si votre produit doit faire l'objet d'une maintenance ou d'une réparation, adressez-vous soit à votre revendeur spécialisé, soit directement à Horizon. Emballez le produit soigneusement. Veuillez noter que le carton d'emballage d'origine ne suffit pas, en règle générale, à protéger le produit des dégâts pouvant survenir pendant le transport. Faites appel à un service de messagerie proposant une fonction de suivi et une assurance, puisque Horizon ne prend aucune responsabilité pour l'expédition du produit jusqu'à sa réception acceptée. Veuillez joindre une preuve d'achat, une description détaillée des défauts ainsi qu'une liste de tous les éléments distincts envoyés. Nous avons de plus besoin d'une adresse complète, d'un numéro de téléphone (pour demander des renseignements) et d'une adresse de courriel.

Garantie et réparations

Les demandes en garantie seront uniquement traitées en présence d'une preuve d'achat originale émanant d'un revendeur spécialisé agréé, sur laquelle figurent le nom de l'acheteur ainsi que la date d'achat. Si le cas de garantie est confirmé, le produit sera réparé. Cette décision relève uniquement de Horizon Hobby.

Réparations payantes

En cas de réparation payante, nous établissons un devis que nous transmettons à votre revendeur. La réparation sera seulement effectuée après que nous ayons reçu la confirmation du revendeur. Le prix de la réparation devra être

acquitté au revendeur. Pour les réparations payantes, nous facturons au minimum 30 minutes de travail en atelier ainsi que les frais de réexpédition. En l'absence d'un accord pour la réparation dans un délai de 90 jours, nous nous réservons la possibilité de détruire le produit ou de l'utiliser autrement.

ATTENTION: Nous n'effectuons de réparations payantes que pour les composants électroniques et les moteurs. Les réparations touchant à la mécanique, en particulier celles des hélicoptères et des voitures radiocommandées, sont extrêmement coûteuses et doivent par conséquent être effectuées par l'acheteur lui-même.

10/15

Coordonnées de Garantie et réparations

Pays d'achat	Horizon Hobby	Numéro de téléphone/E-mail	Adresse
Union européenne	Horizon Technischer Service	sales@horizonhobby.eu	Hanskampring 9 D 22885 Barsbüttel, Germany
	Sales: Horizon Hobby GmbH	+49 (0) 4121 2655 100	

Informations de IC

IC: 6157A-SPMSLT300

CAN ICES-3 (B)/NMB-3(B)

Ce dispositif contient un/des émetteur(s)/récepteur(s) non soumis à licence conforme(s) aux CNR d'Innovation, Sciences et Développement économique Canada. Son utilisation est soumise aux deux conditions suivantes :

1. Cet appareil ne doit pas causer d'interférences.
2. Cet appareil doit accepter toutes les interférences, y compris celles pouvant entraîner un dysfonctionnement.

Informations de conformité pour l'Union européenne



Par la présente, Horizon Hobby, LLC déclare que cet appareil est conforme aux directives suivantes :

Directive sur éco-conception 1275/2008 ;

Directive RoHS 2 2011/65/U ;

Directive RoHS 3 - Modifiant 2011/65/UE Annexe II 2015/863 ;

Le texte complet de la déclaration de conformité UE est disponible à l'adresse Internet suivante : <https://www.horizonhobby.com/content/support-render-compliance>.

Gamme de fréquences sans fil / Puissance de sortie sans fil

Émetteur

Max EIRP:16.3

Frequency Range:2403-2480MHz

Récepteur

Max EIRP: -1.33dBm

Frequency Range: 2404-2476MHz

Fabricant officiel de l'UE :

Horizon Hobby, LLC
2904 Research Road
Champaign, IL 61822 USA

Importateur officiel de l'UE :

Horizon Hobby, GmbH
Hanskampring 9
22885 Barsbüttel Germany

Ce dispositif contient un/des émetteur(s)/récepteur(s) non soumis à licence conforme(s) aux CNR d'Innovation, Sciences et Développement économique Canada. Son utilisation est soumise aux deux conditions suivantes :

1. Cet appareil ne doit pas causer d'interférences.
2. Cet appareil doit accepter toutes les interférences, y compris celles pouvant entraîner un dysfonctionnement.



DIRECTIVE DEEE :

L'étiquette de cet appareil respecte la directive européenne 2012/19/UE en matière de déchets des équipements électriques et électroniques (DEEE). Cette étiquette indique que ce produit ne doit pas être jeté avec les déchets ménagers, mais déposé dans une installation appropriée afin de permettre sa récupération et son recyclage.

AVVISO

Tutte le istruzioni, le garanzie e gli altri documenti pertinenti sono soggetti a cambiamenti a totale discrezione di Horizon Hobby, LLC. Per una documentazione aggiornata sul prodotto, visitare il sito horizonhobby.com o towerhobbies.com e fare clic sulla sezione Support del prodotto.

SIGNIFICATO DEI TERMINI USATI

Nella documentazione relativa al prodotto vengono utilizzati i seguenti termini per indicare i vari livelli di pericolo potenziale durante l'uso del prodotto:

AVVERTENZA: indica procedure che, se non debitamente seguite, determinano il rischio di danni alle cose, danni collaterali e gravi lesioni alle persone O il rischio elevato di lesioni superficiali alle persone.

ATTENZIONE: indica procedure che, se non debitamente seguite, determinano il rischio di danni alle cose E di gravi lesioni alle persone.

AVVISO: indica procedure che, se non debitamente seguite, possono determinare il rischio di danni alle cose E il rischio minimo o nullo di lesioni alle persone.



AVVERTENZA: leggere TUTTO il manuale di istruzioni e familiarizzare con le caratteristiche del prodotto prima di farlo funzionare. Un uso improprio del prodotto può causare danni al prodotto stesso e alle altre cose e gravi lesioni alle persone.

Questo è un prodotto sofisticato per appassionati di modellismo. Deve essere azionato in maniera attenta e responsabile e richiede alcune conoscenze basilari di meccanica. L'uso improprio o irresponsabile di questo prodotto può causare lesioni alle persone e danni al prodotto stesso o alle altre cose. Questo prodotto non deve essere utilizzato dai bambini senza la diretta supervisione di un adulto. Non tentare di smontare, utilizzare componenti incompatibili o modificare il prodotto in nessun caso senza previa approvazione di Horizon Hobby, LLC. Questo manuale contiene le istruzioni per la sicurezza, l'uso e la manutenzione del prodotto. È fondamentale leggere e seguire tutte le istruzioni e le avvertenze del manuale prima di montare, impostare o utilizzare il prodotto, al fine di utilizzarlo correttamente e di evitare di causare danni alle cose o gravi lesioni alle persone.

Limite minimo di età consigliato: non deve essere utilizzato dai minori di 14 anni. Non è un giocattolo.

Precauzioni di sicurezza e avvertenze

L'utente di questo prodotto è l'unico responsabile del corretto utilizzo del medesimo affinché non arrechi pericolo per sé e per gli altri e non danneggi il prodotto stesso o cose di altri.

- Maneggiare/trasportare il vostro scafo con cura prendendola per lati, in modo che tutte le parti mobile siano lontane da voi.
- Mantenere sempre un perimetro di sicurezza intorno al modello per evitare collisioni o lesioni. Questo modello funziona con comandi radio soggetti all'interferenza di altri dispositivi non controllabili dall'utente. L'interferenza può provocare una momentanea perdita di controllo.
- Utilizzare sempre il modello in spazi aperti liberi da veicoli, traffico e persone.
- Seguire sempre scrupolosamente le istruzioni e le avvertenze relative al modello e a tutti gli accessori (caricabatterie, pacchi batteria ricaricabili, ecc.).
- Tenere sempre le sostanze chimiche, i componenti di piccole dimensioni e i componenti elettrici fuori dalla portata dei bambini.
- Evitare sempre il contatto con l'acqua di tutti i dispositivi che non sono stati specificatamente progettati per funzionare in acqua e non sono adeguatamente protetti. L'umidità danneggia le parti elettroniche non protette.
- Non mettere in bocca alcun componente del modello poiché potrebbe causare lesioni gravi o persino la morte.
- Non azionare il modello se le batterie del trasmettitore sono poco cariche.

Indice

Scafo resistente all'acqua con elettronica waterproof	45	Manutenzione generale e dopo l'utilizzo	52
Precauzioni Generali	45	Connessione	52
Manutenzione in condizioni umide	45	Failsafe	52
Caratteristiche	45	Manutenzione del motore	52
Attrezzi e materiali consigliati	46	Sistema di raffreddamento ad acqua	53
Montaggio del supporto per lo scafo	46	Manutenzione del timone	53
Installazione tubo antenna	46	Manutenzione elica	53
Rimozione della capottina	47	Regolazione profondità supporto esterno dell'asse dell'elica	53
Installazione delle batterie	47	Lubrificazione della trasmissione	54
Sistema Radio Spektrum DX2E	48	Programmazione Trasmettente	54
Installazione pile trasmettitore	48	Guida alla risoluzione dei problemi	55
Caricabatterie	48	Durata della Garanzia	56
Spegnimento per bassa tensione (LVC)	49	Garanzia e Assistenza informazioni per i contatti	57
Tipo di batteria	49	Dichiarazione di Conformità EU	57
Per iniziare	49	Smaltimento all'interno dell'Unione Europea	57
Controlli di verifica	50	Pezzi di ricambio	58
Test dell'imbarcazione in acqua	50	Pezzi consigliati	58
Suggerimenti per la navigazione	51	Pezzi opzionali	59
Quando si finisce	51		

Scafo resistente all'acqua con elettronica waterproof

Il vostro nuovo scafo Horizon Hobby è stato sviluppato e costruito con una combinazione di componenti resistenti all'acqua ed impermeabili in modo da rendere il vostro scafo adatto per l'uso in acqua calme e dolci.

L'intero scafo è resistente all'acqua, ma questo non significa che sia del tutto impermeabile e quindi NON deve essere usato come un sottomarino. Le diverse componenti tecniche dello scafo, come il regolatore di velocità (ESC), i servocomandi e la ricevente sono waterproof, mentre la maggior parte della meccanica è resistente all'acqua ma non impermeabile e quindi necessita di manutenzione aggiuntiva dopo l'uso dello scafo.

Le parti metalliche incluso i cuscinetti, perni, viti e dadi come anche l'elica, il timone, il supporto timone, i montanti elica ed i contatti elettrici sono suscettibili alla corrosione se non si esegue una manutenzione particolare dopo l'uso dello scafo in condizioni umide. Per prolungare la longevità del vostro scafo e per mantenere valida la garanzia bisogna effettuare regolarmente le procedure elencate sotto il punto "Manutenzione in condizioni umide."



ATTENZIONE: L'uso incauto di questo prodotto o il mancato rispetto delle seguenti precauzioni può portare ad un malfunzionamento del prodotto e/o invalidare la garanzia.

Precauzioni Generali

- Leggere attentamente le procedure per la manutenzione in condizioni umide ed assicurarsi che tutti gli attrezzi necessari per la manutenzione corretta del vostro scafo siano a vostra disposizione.
- Non tutte le batterie sono adatte all'uso in condizioni umide. Consultare il produttore delle batterie prima dell'uso. Fare attenzione nell'uso di batterie LiPo in condizioni umide.
- La maggior parte delle trasmettenti non sono resistenti all'acqua. Consultare il manuale della trasmettente o il produttore prima dell'uso.
- Non usare mai la trasmettente o lo scafo nell'eventuale presenza di fulmini.
- L'acqua salata è molto conduttiva ed altamente corrosiva. Se usate il vostro scafo in acqua salata, sciacquare lo scafo direttamente dopo l'uso con acqua dolce. L'uso dello scafo in acqua salata sta alla discrezionalità del modellista stesso.

Manutenzione in condizioni umide

- Far defluire l'acqua dall'interno dello scafo rimuovendo il tappo di scarico o la capottina girando la barca nella direzione giusta per far defluire l'acqua.



ATTENZIONE: Allontanare sempre le mani, le dita, gli attrezzi o qualsiasi oggetto pendente o mobile dalle parti rotanti.

- Togliere il pacco / i pacchi batteria e disconnettere l'ESC e il motore. Asciugare i contatti. Se avete a disposizione un compressore d'aria o una bomboletta d'aria compressa, rimuovere tutti i residui d'acqua dai connettori e dalla scatola radio.
- Rimuovere l'albero flessibile e tutte le parti mobili. Asciugare e lubrificare le parti dopo ogni 30 minuti d'uso o quando lo scafo è stato sommerso in acqua.

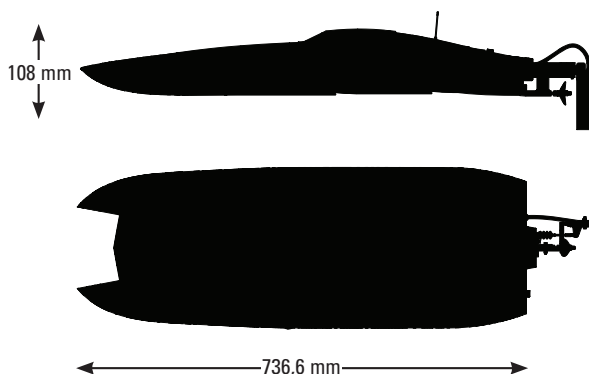
AVVISO: Non usare mai un'idropulitrice per pulire lo scafo.

- Usare un compressore d'aria o una bomboletta d'aria compressa per asciugare lo scafo e provare a rimuovere tutta l'acqua in piccole fessure o angoli.
- Spruzzare dell'olio leggero idrorepellente o del lubrificante sui cuscinetti, i supporti ed altre parti metalliche. Non spruzzarlo sul motore.
- Lasciare asciugare lo scafo all'aria prima di riporlo. Acqua (e olio) potrebbero continuare a gocciolare dallo scafo per alcune ore.

Caratteristiche

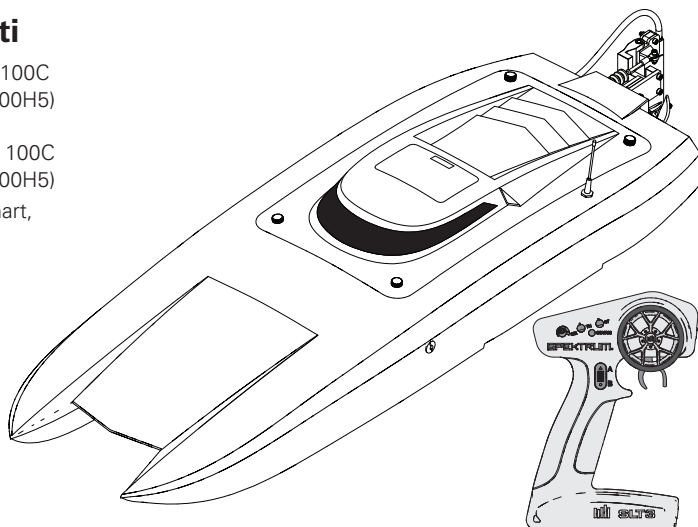
Lunghezza	736,6 mm
Altezza	108 mm
Trasmettente	Spektrum™ SLT3™ 2.4GHz
Ricevente	SR315 3-CH DSMR®
Materiale scafo	Fibra di vetro
Motori	Motore marino 3650 6 poli 2000 Kv (DYNAM3831)
ESC	ESC marino brushless 120 A 2-6S (DYNAM3875)
Servo	Servo 3 kg, ingranaggio di plastica, waterproof, 23 denti (SPMS603)

Consiglio: sono necessarie 4 batterie AA (vendute separatamente) per far funzionare il trasmettitore.



Attrezzi e materiali consigliati

- (2) Batteria Spektrum 7,4 V 5000 mAh 2S 100C Smart Hardcase LiPo: IC5 (SPMX50002S100H5)
-or-
(2) Batteria Spektrum 11,1V 5000 mAh 3S 100C Smart Hardcase LiPo: IC5 (SPMX50003S100H5)
- Caricabatterie Spektrum S2100 CA/CC Smart, 2 x 100 W (SPMXC1010)
- Pinze a becchi stretti
- Fazzoletto di carta
- Alcol denaturato
- Chiave aperta: 10 mm (2)
- Chiave per dadi: 4 mm, 7 mm, 8 mm
- Cacciavite Phillips n. 1
- Chiave esagonale: 1,5 mm, 2 mm, 2,5 mm, 3 mm
- Nastro trasparente (DYNAM0102)
- Grasso marino Dynamite con pistola (DYNE4200)
- Set nastro a strappo, waterproof 4 pezzi (DYNK0300)

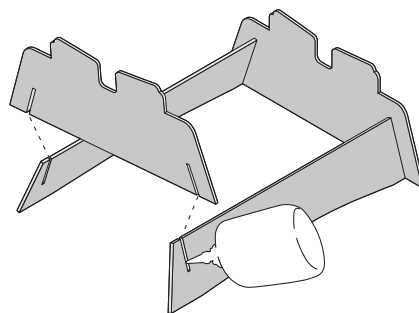


Verifica del prodotto

Togliere con cura dalla scatola lo scafo e il trasmettitore. Verificare che lo scafo non abbia subito dei danni. Se fossero presenti, contattare subito il negozio da cui l'avete acquistato, o rivolgersi al servizio di assistenza al prodotto. Per maggiori informazioni, consultare la sezione relativa alla garanzia e all'assistenza.

Montaggio del supporto per lo scafo

1. Inserire le linguette nelle fessure sui supporti terminali. Le scritte sui pezzi laterali devono essere rivolte all'esterno delle fiancate del supporto.
2. Tenendo il supporto ben livellato su di una superficie piana, applicare colla CA media o epossidica per fissare il montaggio.
3. Prima di appoggiarvi sopra lo scafo aspettare che la colla si asciughi.

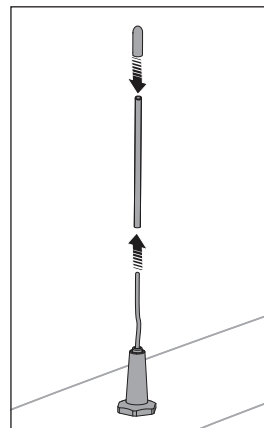


Installazione tubo antenna

1. Inserire il terminale dell'antenna ricevente attraverso il gommino dall'interno dello scafo.
2. Tirare il filo dell'antenna fuori dal gommino verso l'esterno dello scafo e inserirlo nel tubo guida.
3. Inserire il tubo nel gommino e mettere il suo tappo.
4. Inserire il tubo di raffreddamento di silicone trasparente da 20 mm sopra il gommino e lo scafo e inserire il tubo all'interno del tubo di raffreddamento di silicone.

Bisogna installare l'antenna al di sopra della linea di galleggiamento dello scafo per ricevere il segnale del trasmettitore nel migliore dei modi.

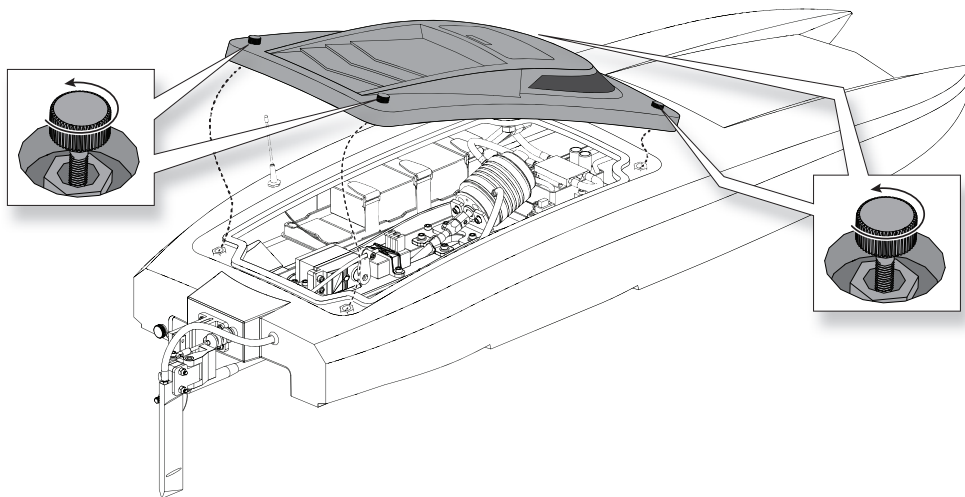
AVVISO: non tagliare o piegare l'antenna del ricevitore altrimenti si potrebbero fare dei danni.



Rimozione della capottina

1. Allentare le 4 viti in ogni angolo della capottina.
2. Rimuovere la capottina dallo scafo, iniziando con le 2 viti posteriori. Assicurarsi che le 4 viti

siano allentate dalla loro base prima di alzare con attenzione la capottina.



Installazione delle batterie

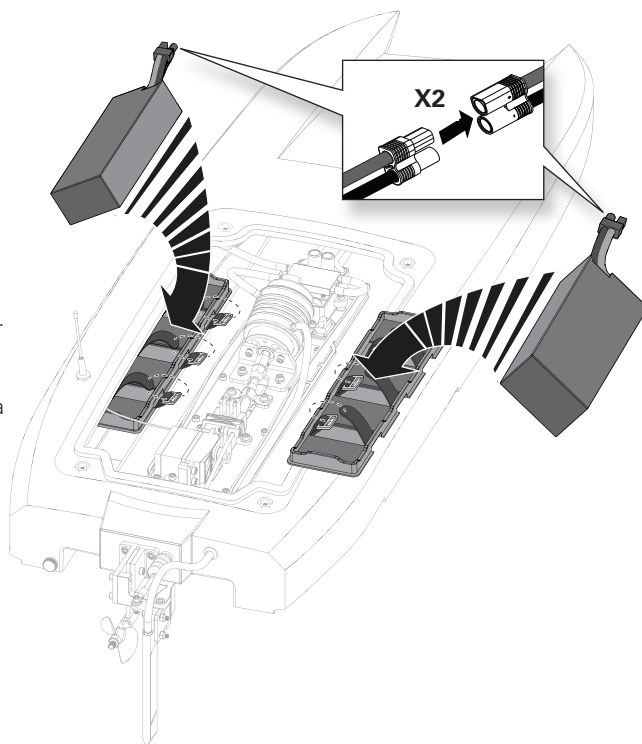
I componenti elettronici forniti in dotazione sono adatti per batterie LiPo 2S–6S, tuttavia l'utilizzo continuo dell'elica standard con una batteria 6S potrebbe causare il surriscaldamento dell'elettronica o danneggiare le batterie. Se si utilizza l'elica fornita in dotazione con una batteria 6S, si consiglia di accelerare al massimo solo su tratti rettilinei. Al ritorno, è consigliabile mantenere l'acceleratore a metà corsa per far raffreddare l'elettronica. Se si desidera utilizzare ininterrottamente una batteria 6S, usare le eliche opzionali (PRB282006 or PRB282027).

1. Installare i due pacchi batterie sul lato sinistro e destro della barca. Fissare le batterie con le fascette a strappo fornite in dotazione. Se si utilizza la barca in acque mosse, usare il nastro a strappo waterproof (DYNK0300) che va applicato tra le batterie e il vano batteria per fissare le batterie più saldamente.

Consiglio: Inserire le batterie negli appositi vani nella posizione più arretrata possibile, in modo da ottenere la massima velocità e maneggevolezza. In condizioni di acqua troppo mosca e vento troppo forte, stabilizzare la barca spostando avanti i pacchi batterie di 1/4 di pollice (circa 0,635 cm) alla volta.

2. Collegare ciascuna batteria ai connettori di alimentazione dell'ESC.

L'elica fornita in dotazione permette di ottenere le migliori prestazioni nell'intervallo compreso tra 14,8 V (batteria LiPo 4S) e 18,5 V (batteria LiPo 5S). Per ottenere una configurazione 5S è necessario montare una batteria LiPo 3S (DYNB3811EC) sul lato sinistro della barca e una batteria LiPo 2S (DYNB3810EC) sul lato destro della barca. L'ulteriore peso della batteria 3S sul lato sinistro della barca controbilancia la torsione di coppia causata dalla rotazione dell'elica ad alti regimi.



ATTENZIONE: se si usano 2 batterie in serie, accertarsi sempre che abbiano pressoché lo stesso stato d'invecchiamento, la stessa capacità (in mAh) e lo stesso tasso di scarica (C). L'inosservanza di questa indicazione può causare danni alle batterie e il conseguente rischio d'incendio.

Funzioni della trasmittente

Specifiche

Alimentazione: 4 Batterie AA

Frequenza di funzionamento: 2,4 GHz

Potenza di trasmissione: <100mW

Protocollo di controllo: SLT

Controllo: sterzo e gas/freno proporzionali con manopole trim, terzo canale con interruttore temporaneo a 3 posizioni

Funzioni ausiliarie: interruttore limitatore gas a 3 posizioni, manopola tasso di sterzata per modificare "al volo" la corsa dello sterzo, servocorsa programmabile per sterzo e gas/freno

A. Trim gas

Regola il punto neutro del gas

B. Trim sterzo

Regola il punto centrale dello sterzo. Il trim dello sterzo è solitamente regolato fino a ottenere la marcia del veicolo in linea retta.

C. LED

- Luci rosse fisse: la trasmittente è alimentata e la carica della batteria è adeguata
- Luci rosse lampeggianti: la tensione della batteria è eccessivamente bassa. Sostituire le batterie

D. Volantino sterzo

E. Gas/Freno

F. Tasso di sterzata

Manopola per la regolazione "al volo" della corsa sullo sterzo

G. Canale 3

Interruttore temporaneo a 3 posizioni, la posizione centrale è neutra

Per la programmazione premere verso l'alto per il tasto A, verso il basso per il tasto B

H. Limite gas

Limita il rendimento del gas al 50/75/100%

Selezionare 50% o 75% per i piloti meno esperti o quando si guida il veicolo in un'area di dimensioni ridotte.

I. Inversione servo gas (TH)

Spostare l'interruttore per invertire il canale del gas

J. Inversione servo sterzo (ST)

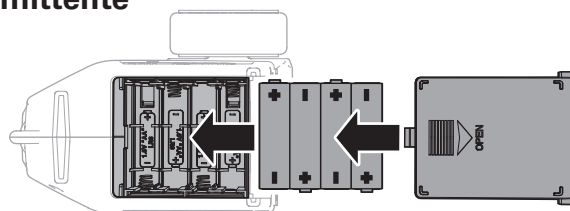
Spostare l'interruttore per invertire il canale dello sterzo

K. Pulsante di accensione

Installazione delle batterie della trasmittente

Questa trasmittente richiede 4 batterie AA.

1. Rimuovere la copertura della batteria dalla trasmittente.
2. Installare le batterie come mostrato.
3. Rimettere a posto il coperchio.



ATTENZIONE: se si utilizzano batterie ricaricabili, ricaricare solo quelle e non le normali batterie non ricaricabili. Provare a ricaricare batterie non ricaricabili comporta il rischio che queste possano esplodere, causando danni o lesioni a cose e/o persone.



ATTENZIONE: la sostituzione di una batteria con una batteria di tipo inappropriato può comportare il rischio di esplosioni. Smaltire le batterie esauste nel rispetto delle vigenti norme nazionali.

Reset di fabbrica

Esiste una modalità nascosta nel caso si desideri effettuare il ripristino del servocorsa e della calibrazione nella trasmittente.

1. Durante l'accensione della trasmittente, mantenere il volante tutto a sinistra e il grilletto a piena frenata per passare la trasmittente alla modalità di programmazione. Il LED lampeggerà 4 volte, quindi si spegnerà a indicare il ripristino alle condizioni di fabbrica.
2. Riportare il volante e il grilletto del gas nella posizione neutra e il LED si accenderà a indicare che il ripristino alle condizioni di fabbrica è stato completato.
3. Portare la trasmittente su OFF.

Caricabatterie

Scegliere un caricabatterie progettato per caricare le batterie (2) Spektrum 7,4 V 5000 mAh 2S 100C Smart Hardcase LiPo consigliate: IC5 (SPMX50002S100H5), oppure (2) Spektrum 11,1 V 5000 mAh 3S 100C Smart Hardcase LiPo: IC5 (SPMX50003S100H5). Si consiglia il caricabatterie Spektrum Smart S2100 CA, 2x100 W (SPMXC1010).

Si faccia riferimento al manuale del caricatore per le informazioni sulla carica e la sicurezza.

AVVISO: non caricare le batterie mentre stanno all'interno dello scafo perché si potrebbero fare dei danni.

Spegnimento per bassa tensione (LVC)

Una batteria si può danneggiare se viene scaricata al di sotto di 3V per cella. L'ESC fornito protegge la batteria dello scafo da una sovra scarica usando la funzione LVC. Prima che la carica della batteria scenda troppo, la funzione LVC toglie l'alimentazione al motore. Prima di ciò il motore pulsa per avvisare che è rimasta solo la carica per controllare lo scafo e riportarlo a riva in sicurezza.

Dopo l'uso bisogna scollegare la batteria LiPo dallo scafo per evitare che si scarichi lentamente. Prima di mettere via la batteria conviene caricarla con metà della sua capacità. Ogni tanto bisogna però controllare che la tensione dei singoli elementi non scenda al di sotto dei 3V perché in questo caso l'LVC non può intervenire.

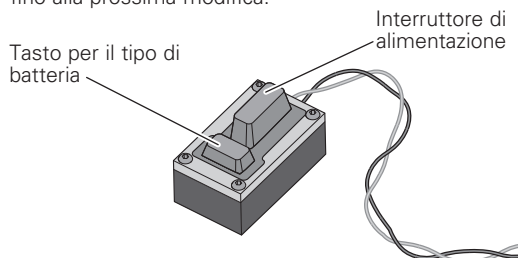
AVVISO: se l'LVC interviene ripetutamente, la batteria si potrebbe danneggiare.

Consiglio: controllare la tensione dell'imbarcazione prima e dopo la navigazione con il tester per batterie e servo driver Spektrum XBC100 (SPMXBC100, venduto separatamente).

Tipo di batteria

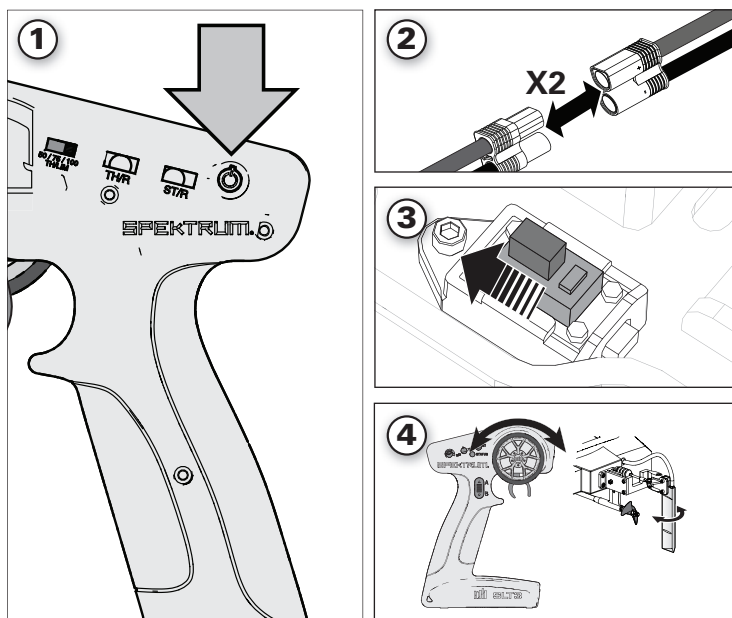
L'ESC viene fornito in modalità Li-Po. Per cambiare il tipo di batteria:

1. Accendere l'ESC con il comando motore al punto neutro.
2. All'accensione tenere premuto per 3 secondi il tasto per il tipo di batteria. I LED lampeggiano a seconda del tipo di batteria selezionato (rosso = Ni-MH o Ni-Cd; verde = Li-Po).
3. Continuare a tenere premuto il tasto di prima per altri 6 secondi. L'ESC cambia il tipo di batteria e i LED lampeggiano di conseguenza.
4. Spegner l'ESC che conserva la nuova impostazione fino alla prossima modifica.



Per iniziare

1. Accendere il trasmettitore.
2. Collegare le due batterie ai connettori EC5 dell'ESC.
3. Accendere l'ESC con il suo interruttore. L'ESC emette dei suoni per segnalare che il regolatore si sta armando.
4. Appoggiando lo scafo sul suo supporto, controllare che tutti i comandi funzionino regolarmente.



Récepteur double protocole SPMSR315

Spécifications

Type : récepteur 3 canaux double protocole* (SLT/DSMR)

Dimensions (L x l x H) : 32,5 x 21,5 x 12,4 mm

Longueur d'antenne : 90 mm

Canaux : 3

Poids : 6 g

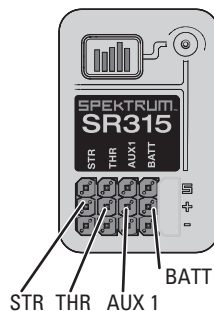
Bande : 2,4 GHz

Plage de tension : 3,5 à 9,6 V

Type d'affectation : bouton d'affectation

Sécurité intégrée : maintenez le volant et la manette des gaz dans les positions de sécurité intégrée souhaitées pendant l'affectation

*Les récepteurs SPMSR315 inclus avec l'émetteur SLT3 assurent la compatibilité SLT et DSMR. Si vous disposez d'un récepteur SR315 que vous avez acheté seul, vous aurez peut-être besoin d'installer une mise à jour du micrologiciel pour rendre votre SR315 compatible SLT.



Antenne du récepteur

Les récepteurs SR315 comportent une antenne à jupe pour une installation facile dans presque tous les modèles. Sachez que seul le dernier pouce (32 mm) au bout de l'antenne représente la partie active de l'antenne, la partie coaxiale qui y mène est juste un prolongement. Installez l'antenne de manière à ce que la partie active soit positionnée aussi haut que possible dans le véhicule, et pas « dans l'ombre » d'un élément en fibre de carbone ou métal. Le boîtier du récepteur peut accepter directement un tube d'antenne, ce qui permet de placer facilement l'antenne de manière optimale (le tube d'antenne n'est pas inclus).

AVERTISSEMENT : veillez à ne pas tordre, couper ou endommager le fil d'antenne. L'antenne est constituée d'un câble coaxial ; si la gaine extérieure est endommagée, le récepteur ne fonctionnera pas correctement. Si l'antenne est endommagée de quelque manière que ce soit, remplacez-la avant d'utiliser le récepteur.

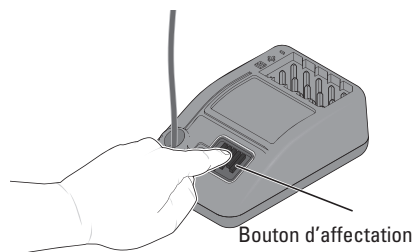
Affectation

L'affectation est le processus de programmation du récepteur qui vise à reconnaître le code GUID (identificateur global unique) d'un émetteur unique spécifique.

1. Maintenez enfoncé le bouton d'affectation et allumez le récepteur ; le témoin DEL orange commence à clignoter.
2. Placez les compensateurs et les positions de commande sur les réglages de sécurité intégrée souhaités, et allumez l'émetteur SLT3.
3. Lorsque la DEL orange de l'émetteur SLT3 reste allumée, celui-ci est connecté au récepteur SR315.

Vous devez effectuer à nouveau l'affectation :

- si différentes positions de sécurité intégrée sont souhaitées, par ex. lors du changement de l'inversion des gaz ou de la direction.
- lors de l'affectation du récepteur à un émetteur différent.



Failsafe

Nell'ipotesi improbabile che la radio perda la connessione durante l'utilizzo, la ricevente imposta i servi nelle posizioni di failsafe programmate durante la procedura di connessione.

Se il ricevitore viene acceso prima del trasmettitore, il ricevitore entra in modalità failsafe e porta i servi nelle rispettive posizioni failsafe preimpostate. Quando si accende il trasmettitore, viene ripristinato il controllo normale. Le posizioni failsafe dei servi vengono impostate durante il collegamento.

IMPORTANTE: il Failsafe si attiva solo se viene perso il segnale del trasmettitore. Il Failsafe NON si attiva se la batteria del ricevitore scende al di sotto della soglia minima consigliata o si scarica completamente.

Course de servo

La course de servo sur les canaux de direction et des gaz peut être ajustée par le biais d'un mode de programmation spécial dans l'émetteur.

1. Commencez une fois que le processus d'affectation de l'émetteur au récepteur est terminé. Allumez le récepteur.
2. Maintenez les commandes entièrement à droite et en freinage complet tout en allumant l'émetteur pour mettre l'émetteur en mode programmation.

La DEL de l'émetteur clignote 4 fois pour indiquer que l'émetteur est en mode programmation.

3. Tournez et maintenez le volant entièrement à gauche pour paramétrer la limite de course dans cette direction. Appuyez sur le bouton A pour augmenter la course, appuyez sur le bouton B pour réduire la course. La DEL clignote une fois à chaque changement. Remettez le volant au centre pour paramétrer la valeur de course.

IMPORTANT : si la valeur a atteint le maximum ou le minimum pouvant être accepté, la DEL ne clignote plus à chaque entrée supplémentaire.

4. Tournez le volant à droite et répétez le processus pour paramétrer la course de direction vers la droite.
5. Concernant les véhicules électriques, éteignez l'émetteur pour enregistrer les réglages. Étalonnez votre ESC sur la course de gaz par défaut.
6. Concernant les véhicules à carburant, réglez la course des gaz sans que le moteur ne fonctionne. Après avoir paramétré la course de direction, vous pouvez paramétrer la course des gaz de la même manière. Tirez la manette en position pleins gaz et maintenez-la dans cette position, ajustez la course avec les boutons A et B, puis revenez au centre pour paramétrer la valeur.
7. Poussez la manette en position de freinage complet, ajustez la course avec les boutons A et B, puis revenez au centre.
8. Éteignez l'émetteur pour enregistrer les valeurs.

Controlli di verifica

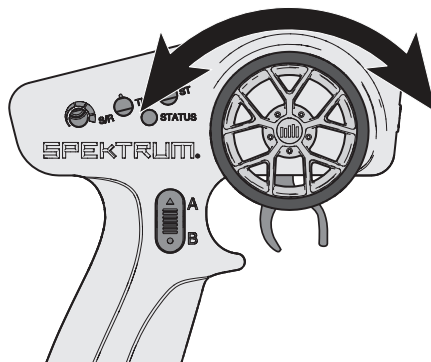
IMPORTANTE: eseguire i controlli di verifica all'inizio di ogni sessione di navigazione e dopo eventuali riparazioni o installazione di batterie nuove.

Accertarsi che l'antenna del ricevitore sia estesa correttamente e che tutte le batterie siano completamente cariche.

1. Accendere la trasmittente e lo scafo. **Non installare la capottina dello scafo.**
2. Collocare lo scafo in sicurezza sul suo supporto.

AVVISO: Non far funzionare il motore senza il raffreddamento ad acqua funzionante altrimenti lo si potrebbe danneggiare.

3. Controllare sterzo e motore sul trasmettitore.



Test dell'imbarcazione in acqua

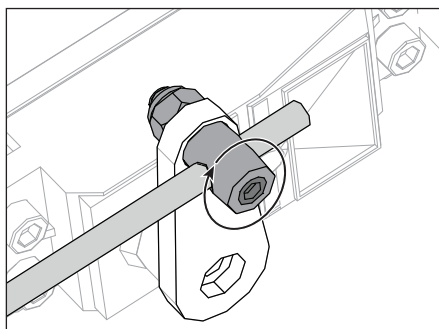
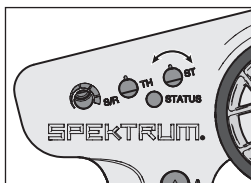
Consiglio: Prima di mettere il Veles 29 in acqua, fissare bene la capottina allo scafo. Applicare il nastro trasparente (DYNAM0102) intorno alla giunzione della capottina, se necessario.

1. Collocare l'imbarcazione in acqua prestando attenzione.
2. Azionare l'imbarcazione a basse velocità vicino a riva. Evitare sempre eventuali oggetti presenti nell'acqua. Quando la barca procede in avanti, accertarsi che ci sia l'uscita di acqua dallo scarico del raffreddamento posto sullo scafo. Se l'acqua non uscisse, eliminare l'ostruzione dalla presa d'acqua posteriore, altrimenti il motore si potrebbe surriscaldare.
3. Dopo aver acquisito padronanza nell'azionamento dell'imbarcazione a basse velocità, è sicuro azionare l'imbarcazione lontano da riva.
4. Se lo scafo non andasse dritto, regolare il trim del timone sul trasmettente.

Consiglio: Se si dovesse usare troppo trim sul trasmettente per far procedere la barca dritta, riportare il trim al centro e centrare il timone meccanicamente. A questo scopo usare una chiave esagonale da 1,5 mm per allentare il grano che fissa l'asta di comando al servo. Regolare l'asta spingendola all'interno o all'esterno del raccordo di ottone, finché il timone risulta centrato. Serrare il grano usando una chiave esagonale da 1,5 mm.

5. Quando si nota che l'imbarcazione inizia a perdere velocità, riportarla a riva.
6. Spegnerne l'ESC e scollegare la batteria.
7. Lasciare raffreddare il motore, l'ESC e i pacchi batteria prima di caricare o azionare di nuovo l'imbarcazione.

AVVISO: Spegnerne sempre la ricevente prima di spegnere la trasmittente. Se la trasmittente viene spenta prima della ricevente, la ricevente entra in modalità Failsafe.



Suggerimenti per la navigazione

Quando si usa lo scafo per la prima volta è consigliabile attendere una condizione di calma atmosferica per poter capire bene le risposte dello scafo ai comandi.

La velocità massima si può raggiungere solo quando le acque non sono agitate e c'è un vento leggero. Quando lo scafo si muove velocemente, una virata stretta con vento e onde potrebbe far rovesciare lo scafo, quindi bisogna sempre regolarsi in base alle condizioni atmosferiche.

Consiglio: usare nastro marino flessibile trasparente (DYNAM0102) intorno alla capottina quando si usa la barca in acque mosse.

Prima di scegliere un posto per far navigare lo scafo, consultare sempre le leggi e le ordinanze locali.

Evitare di stare vicino a:

- altre imbarcazioni
- luoghi affollati (aree riservate al nuoto o alla pesca)
- oggetti immobili
- onde e scie
- acqua con una forte corrente
- fauna selvatica
- detriti galleggianti
- alberi sporgenti
- vegetazione

Se l'elica o il timone venissero bloccati da detriti o vegetazione, togliere subito lo scafo dall'acqua per rimuovere l'impedimento prima di continuare.

Quando si eseguono delle virate, ridurre il motore per evitare che lo scafo si rovesci. Se necessario, regolare il volantino in modo da ridurre la sterzata.

Non usare lo scafo se l'acqua è profonda meno di 30cm.

Per recuperare lo scafo dall'acqua usare l'attrezzatura per la pesca o un altro scafo.

AVVISO: durante la navigazione alla massima velocità in acque increspate, l'elica potrebbe fuoriuscire e rientrare in acqua ripetutamente e molto rapidamente, sottoponendo l'elica stessa a sollecitazioni. Sollecitazioni frequenti potrebbero danneggiare l'elica.

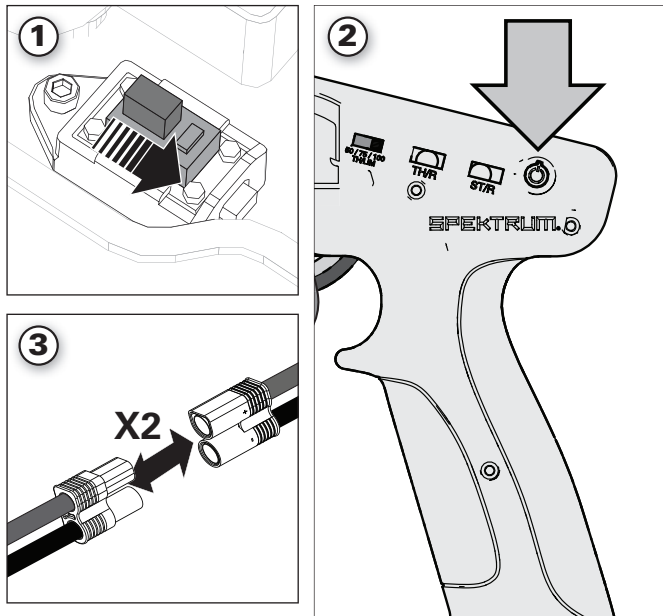
ATTENZIONE: non recuperare mai l'imbarcazione dall'acqua in condizioni di temperature estreme, turbolenza o senza supervisione.

ATTENZIONE: non tentare di recuperare la barca a nuoto.

Quando si finisce

1. Spegner il ricevitore.
2. Spegner il trasmettitore.
3. Scollegare la batteria e toglierla dallo scafo.

Consiglio: togliere sempre la capottina prima di riporre lo scafo, altrimenti l'umidità consentirebbe la formazione di muffa e funghi al suo interno.

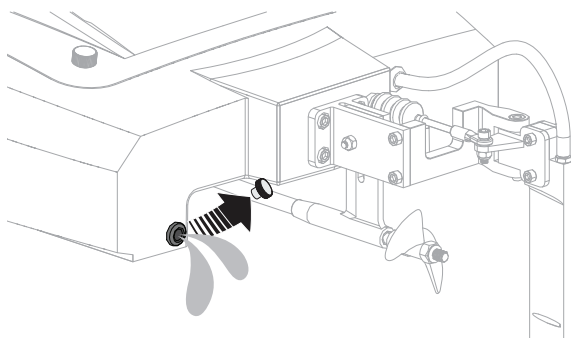


Manutenzione generale e dopo l'utilizzo

- Scaricare l'acqua dall'interno della carena togliendo il tappo di scarico
- Asciugare completamente l'interno e l'esterno dello scafo, compreso il sistema di raffreddamento. Togliere la capottina prima di riporre lo scafo. Togliere la capottina prima di riporre lo scafo
- Riparare eventuali danni o segni di usura sull'imbarcazione
- Lubrificare l'albero flessibile usando del grasso marino tipo Dynamite (DYNE4200)
- Prendersi nota di quanto appreso dalle regolazioni dell'imbarcazione, incluse le condizioni dell'acqua e del vento

Consiglio: Le fascette a strappo all'interno dello scafo trattengono l'acqua. Per asciugarle, premere contro un panno asciutto.

AVVISO: quando si termina di navigare, non lasciare lo scafo al sole. Non riporre lo scafo in un ambiente caldo e ristretto come l'interno di un'auto, in caso contrario potrebbe subire dei danni.



Manutenzione del motore

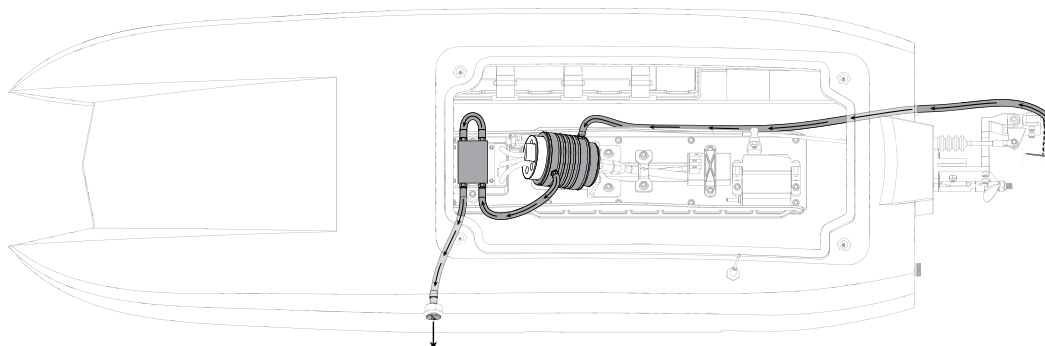
- Consentire il corretto posizionamento delle spazzole del motore guidando in modo uniforme su acque calme durante l'utilizzo della prima carica della batteria.

- Evitare le condizioni che possono portare ad un surriscaldamento del motore, come otturazione dei tubi di raffreddamento, forte resistenza all'avanzamento o detriti nella trasmissione.
- Usare olio Dynamite (DYNE0100) per la manutenzione dei cuscinetti del motore. Se gli stessi si bagnano, usare fluido per rimuovere l'acqua, quindi lubrificare i cuscinetti per impedire la formazione di ruggine o il grippaggio.

Sistema di raffreddamento ad acqua

Se l'acqua non fuoriesce dalle valvole di uscita mentre la barca è in marcia, riportare subito la barca a riva e rimuovere eventuali ostruzioni o strozzature dal sistema di raffreddamento ad acqua.

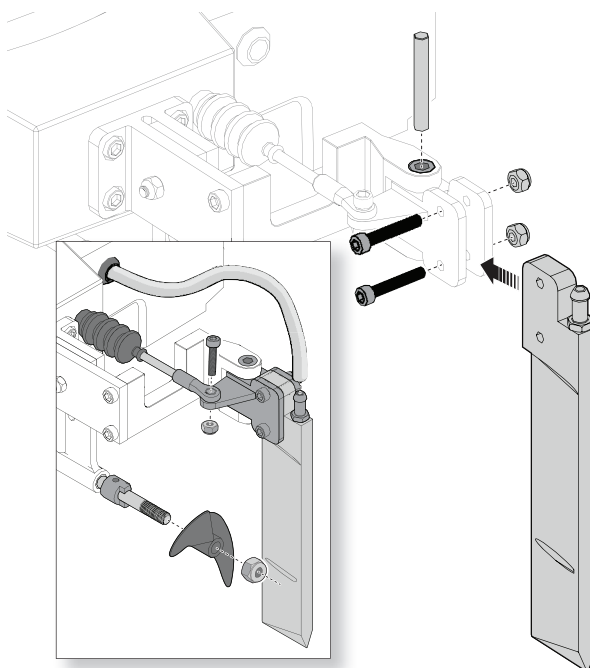
1. Smontare e pulire il sistema di raffreddamento per evitare le ostruzioni ed il surriscaldamento.
2. Sostituire le parti danneggiate.



Manutenzione del timone

1. Scollegare dal timone il tubo dell'acqua.
2. Togliere dado, vite e rinvio dalla squadretta del timone.
3. Girare il timone e allentare il grano dal perno.
4. Girare lo scafo e dare qualche colpo al timone per togliere il perno.
5. Rimontare in ordine inverso.

Consiglio: usare una vite di sicurezza di nylon (PRB285000) per sostituire il bullone di sicurezza del timone.



Manutenzione elica

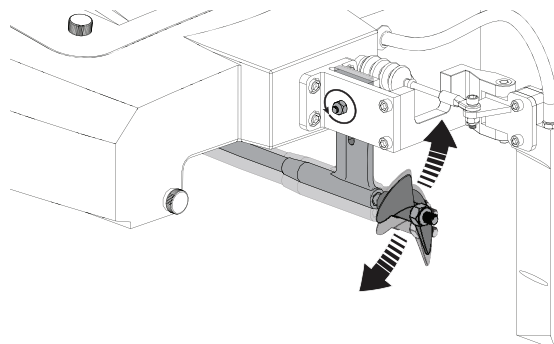
1. Per allentare il dado sull'albero usare una chiave da 8mm (DYN2805). Tenere ferma l'elica, mentre si allenta il dado.
2. Togliere dado ed elica dall'albero.
3. Rimontare seguendo l'ordine inverso. Allineare correttamente sull'albero l'elica e il suo trascinatore (drive dog).

Regolazione profondità supporto esterno dell'asse dell'elica

Alzando il supporto esterno dell'asse dell'elica la velocità aumenta, ma la manovrabilità si riduce.

Abbassando il supporto esterno dell'asse dell'elica la stabilità aumenta, ma la velocità diminuisce.

1. Usare una chiave esagonale da 3 mm e una chiave fissa da 7 mm per allentare il bullone del supporto esterno dell'asse dell'elica.
2. Far scorrere il piede in su o in giù per cambiare l'angolazione dell'elica rispetto alla carena.
3. Dopo aver individuato la profondità desiderata del supporto esterno dell'asse dell'elica, serrare dadi e bulloni.



Lubrificazione della trasmissione

Sostituire sempre l'albero flessibile quando è danneggiato o mostra evidenti segni di usura, altrimenti si potrebbero fare danni maggiori.

La lubrificazione dell'albero flessibile è di importanza vitale per la durata della trasmissione. Il lubrificante agisce anche come guarnizione per impedire l'ingresso dell'acqua nello scafo attraverso il premistoppa.

Lubrificare l'albero di trasmissione flessibile e il supporto dell'albero dell'elica dopo 30 minuti di utilizzo e/o ogni volta che le batterie vengono sostituite.

1. Dentro lo scafo, usare due chiavi aperte da 10mm per allentare il dado sull'albero flessibile.
2. Sfilare l'albero flessibile dalla sua guaina facendolo uscire dal retro dello scafo.
3. Pulire l'albero flessibile da sporco e lubrificante vecchio.

Consiglio: usare il pulitore spray per il motore (DYN5500) per eliminare eventuali accumuli di grasso.

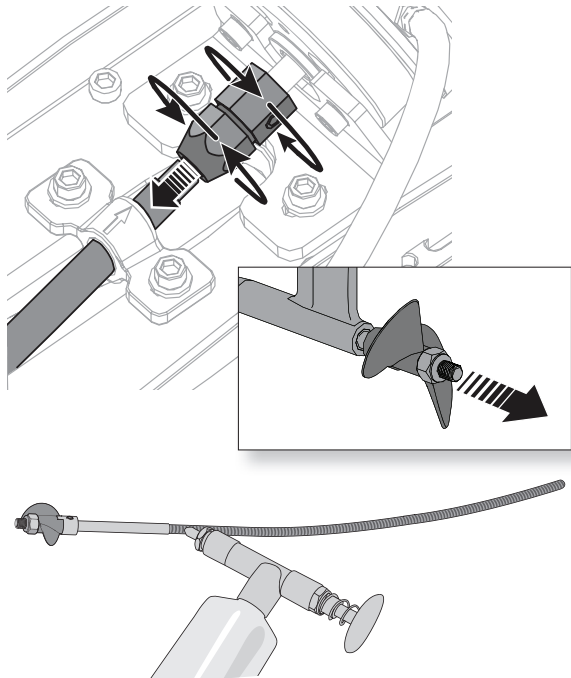
4. Lubrificare l'albero flessibile su tutta la sua lunghezza fino al trascinatore dell'elica usando del grasso marino (DYNE4200). Mettere del grasso anche sui filetti della pinza.
5. Rimontare l'albero flessibile nella sua guaina attraverso al piede dell'elica e alla pinza. Se l'albero di trasmissione flessibile è difficile da rimuovere dal colletto o da installare nel colletto, ruotarlo verso destra staccandolo dal colletto o inserendolo nel colletto.

AVVISO: non ruotare l'albero flessibile verso sinistra all'interno dell'accoppiatore.

Accertarsi che ci sia uno spazio di 1-2mm tra il piede dell'elica e il suo trascinatore per consentire all'albero flessibile di ritirarsi sotto sforzo.

AVVISO: Se si usa lo scafo in acqua salata ci potrebbe essere della corrosione da qualche parte. In questo caso, dopo l'uso, occorre risciacquare lo scafo in acqua fresca e lubrificare il sistema di trasmissione.

AVVISO: A causa dell'effetto corrosivo, l'uso degli scafi RC in acqua salata è a discrezione del modellista.



Programmazione Trasmittente

1. Premere e tenere premuto il grilletto del motore al massimo e accendere l'ESC.
2. Dopo 2 secondi suonerà un "B-B". Aspettare altri 5 secondi e l'ESC emetterà un suono ascendente, indicando di essere entrato nella modalità di programmazione.
3. Dopo essere entrato nella modalità di programmazione, si sentiranno 4 suoni ciclici, che indicheranno le funzioni programmabili. Spingere il grilletto motore a tutto freno entro 3 secondi dopo aver sentito il suono della funzione che volete selezionare.
4. Dopo aver selezionato una funzione programmabile, sentirete diversi suoni ciclici, che indicheranno i valori programmabili. Premere il grilletto motore al massimo per selezionare il valore desiderato, indicato dal suono corrispondente. L'ESC emetterà un suono alternante per indicare che il valore è stato selezionato.
5. Mantenere il grilletto del motore al massimo per tornare allo **step 3** e continuare con la selezione delle funzioni. Spostare il grilletto di nuovo a tutto freno entro 2 secondi per uscire dalla modalità di programmazione.

L'impostazione nero sfumato è l'impostazione predefinita di fabbrica

Articoli programmabili	Valore programmabile				-B Beep singolo		B— Beep lungo	
	-B	-B-B	-B-B-B	-B-B-B-B	B—	B— -B	B— -B-B	B— -B-B-B
Running Mode -B	Solo Avanti	Avanti/Indietro						
Celle LiPo -B-B	Auto Calc.	2s	3s					
Spegnimento per bassa tensione -B-B-B	None	2.8V/cella	3.0V/cella	3.2V/cella	3.4V/cella			
Timing -B-B-B-B	0.00°	3.75°	7.50°	11.25°	15.00°	18.75°	22.50°	26.25°

Guida alla risoluzione dei problemi

Problema	Possibile causa	Soluzione
La barca non risponde al motore, ma risponde agli altri comandi	Il canale del motore è invertito	Invertire il canale del motore sul trasmettitore
Rumore o vibrazioni fuori dal comune	Elica, albero o motore danneggiati	Sostituire le parti danneggiate
	L'elica è sbilanciata	Bilanciare o sostituire l'elica
Tempo di funzionamento ridotto o barca sottopotenziata	La batteria della barca è quasi scarica	Ricaricare la batteria
	La batteria della barca è danneggiata	Sostituire la batteria della barca seguendo le istruzioni
	Qualche impedimento o attrito sull'albero o sull'elica	Smontare, lubrificare e riallineare le parti
	La temperatura ambientale è troppo bassa	Verificare che la batteria sia calda prima dell'uso (tenere in tasca)
	La capacità della batteria potrebbe essere troppo assa	Prima di usare la batteria, accertarsi che abbia una temperatura superiore a 10°C
	Lubrificazione della trasmissione insufficiente	Lubrificare la trasmissione
	Vegetazione o altri ostacoli bloccano l'elica	Pulire l'elica dalla vegetazione o da altri detriti
La barca non si connette (bind) al trasmettitore (durante il "binding")	Il trasmettitore è troppo vicino alla barca	Allontanare il trasmettitore dalla barca e rifare la procedura di connessione
	La barca o il trasmettitore sono troppo vicini ad oggetti metallici o ad altre fonti di disturbo	Allontanare il trasmettitore dalla barca e rifare la procedura di connessione
	Entro la portata della ricevente è presente un'altra trasmittente compatibile in modalità Bind	Spegnere tutte le trasmissioni compatibili eccetto quella che si desidera connettere
	Le batterie della barca o del trasmettitore sono quasi scariche	Sostituire/ricaricare le batterie
	L'interruttore dell'ESC è su OFF	Mettere l'interruttore dell'ESC su ON
La barca non risponde al motore, ma risponde agli altri comandi	Il canale del motore è invertito	Invertire il canale del motore sul trasmettitore
Rumore o vibrazioni fuori dal comune	Elica, albero o motore danneggiati	Sostituire le parti danneggiate
	L'elica è sbilanciata	Bilanciare o sostituire l'elica
Tempo di funzionamento ridotto o barca sottopotenziata	La batteria della barca è quasi scarica	Ricaricare la batteria
	La batteria della barca è danneggiata	Sostituire la batteria della barca seguendo le istruzioni
	Qualche impedimento o attrito sull'albero o sull'elica	Smontare, lubrificare e riallineare le parti
	La temperatura ambientale è troppo bassa	Verificare che la batteria sia calda prima dell'uso (tenere in tasca)
	La capacità della batteria potrebbe essere troppo bassa	Sostituire la batteria o usarne una con maggiore capacità
	Il trascinatore è troppo vicino	Allentare di poco l'accoppiamento con l'albero flessibile
	Albero flessibile poco lubrificato	Lubrificare completamente l'albero flessibile
	Vegetazione o altri ostacoli bloccano il timone o l'elica	Togliere la barca dall'acqua e ripulirla
La barca non si connette (bind) al trasmettitore (durante il "binding")	Il trasmettitore è troppo vicino alla barca	Allontanare il trasmettitore dalla barca e rifare la procedura di connessione
	La barca o il trasmettitore sono troppo vicini ad oggetti metallici o ad altre fonti di disturbo	Allontanare il trasmettitore dalla barca e rifare la procedura di connessione
	Le batterie della barca o del trasmettitore sono quasi scariche	Sostituire/ricaricare le batterie
	L'interruttore dell'ESC è su OFF	Mettere l'interruttore dell'ESC su ON
La barca tende a tuffarsi in acqua o imbarca acqua	La copertura dello scafo non è completamente chiusa	Asciugare l'interno della barca e accertarsi che la copertura sia completamente chiusa prima di rimettere la barca in acqua
	Il centro di gravità è troppo in avanti	Spostare la batteria indietro
Comandi invertiti	Le impostazioni sul trasmettitore sono invertite	Fare una verifica dei comandi e sistemarli nel modo corretto
Il motore o il regolatore surriscaldano	Tubi del raffreddamento ad acqua bloccati	Pulire, disostruire o sostituire le tubazioni del sistema di raffreddamento ad acqua
La potenza del motore pulsa e quindi si perde potenza	La temperatura ambientale è troppo fredda	Rimandare finché il clima non si riscalda
	La batteria è vecchia usurata o danneggiata	Sostituire la batteria
Il veicolo si muove in avanti e indietro senza alcun comando da parte dell'utente	Il trim del motore sulla trasmittente non è centrato	Centrare il trim del motore (ore 12)
La macchina non va dritta	Il trim dello sterzo sulla trasmittente non è centrato	Impostare il trim dello sterzo in modo che il veicolo vada dritto
Il veicolo non sterza o sterza poco	Il rateo di sterzata non è regolato correttamente	Posizionare la manopola ST RATE posta sulla trasmittente sulla corsa desiderata
	Il servocomando non funziona	Contattare l'assistenza tecnica Horizon Hobby
Il motore non funziona o funziona poco	L'ESC non funziona	Contattare l'assistenza tecnica Horizon Hobby
	Il motore non funziona	Contattare l'assistenza tecnica Horizon Hobby
Quando è acceso, l'ESC emette un suono continuo	Il trim del motore non è centrato	Centrare il trim del motore sulla trasmittente

Durata della Garanzia

Periodo di garanzia

Garanzia esclusiva - Horizon Hobby, LLC (Horizon) garantisce che il prodotto acquistato (il "Prodotto") sarà privo di difetti relativi ai materiali e di eventuali errori di montaggio alla data di acquisto. Il periodo di garanzia è conforme alle disposizioni legali del paese nel quale il prodotto è stato acquistato. Tale periodo di garanzia ammonta a 6 mesi e si estende ad altri 18 mesi dopo tale termine.

Limiti della garanzia

(a) La garanzia è limitata all'acquirente originale (Acquirente) e non è cedibile a terzi. L'acquirente ha il diritto a far riparare o a far sostituire la merce durante il periodo di questa garanzia. La garanzia copre solo quei prodotti acquistati presso un rivenditore autorizzato Horizon. Altre transazioni di terze parti non sono coperte da questa garanzia. La prova di acquisto è necessaria per far valere il diritto di garanzia. Inoltre, Horizon si riserva il diritto di cambiare o modificare i termini di questa garanzia senza alcun preavviso e di escludere tutte le altre garanzie già esistenti.

(b) Horizon non si assume alcuna garanzia per la disponibilità del prodotto, per l'adeguatezza o l'idoneità del prodotto a particolari previsti dall'utente. È sola responsabilità dell'acquirente il fatto di verificare se il prodotto è adatto agli scopi da lui previsti.

(c) Richiesta dell'acquirente – spetta soltanto a Horizon, a propria discrezione riparare o sostituire qualsiasi prodotto considerato difettoso e che rientra nei termini di garanzia. Queste sono le uniche rivalse a cui l'acquirente si può appellare, se un prodotto è difettoso.

Horizon si riserva il diritto di controllare qualsiasi componente utilizzato che viene coinvolto nella rivalsa di garanzia. Le decisioni relative alla sostituzione o alla riparazione sono a discrezione di Horizon. Questa garanzia non copre dei danni superficiali o danni per cause di forza maggiore, uso errato del prodotto, un utilizzo che viola qualsiasi legge, regolamentazione o disposizione applicabile, negligenza, uso ai fini commerciali, o una qualsiasi modifica a qualsiasi parte del prodotto.

Questa garanzia non copre danni dovuti ad un'installazione errata, ad un funzionamento errato, ad una manutenzione o un tentativo di riparazione non idonei a cura di soggetti diversi da Horizon. La restituzione del prodotto a cura dell'acquirente, o da un suo rappresentante, deve essere approvata per iscritto dalla Horizon.

Limiti di danno

Horizon non si riterrà responsabile per danni speciali, diretti, indiretti o consequenziali; perdita di profitto o di produzione; perdita commerciale connessa al prodotto, indipendentemente dal fatto che la richiesta si basa su un contratto o sulla garanzia. Inoltre la responsabilità di Horizon non supera mai in nessun caso il prezzo di acquisto del prodotto per il quale si chiede la responsabilità. Horizon non ha alcun controllo sul montaggio, sull'utilizzo o sulla manutenzione del prodotto o di combinazioni di vari prodotti. Quindi Horizon non accetta nessuna responsabilità per danni o lesioni derivanti da tali circostanze. Con l'utilizzo e il montaggio del prodotto l'utente acconsente a tutte le condizioni, limitazioni e riserve di garanzia citate in questa sede.

Qualora l'utente non fosse pronto ad assumersi tale responsabilità associata all'uso del prodotto, si suggerisce

di restituire il prodotto intatto, mai usato e immediatamente presso il venditore.

Indicazioni di sicurezza

Questo è un prodotto sofisticato di hobbistica e non è un giocattolo. Esso deve essere manipolato con cautela, con giudizio e richiede delle conoscenze basilari di meccanica e delle facoltà mentali di base. Se il prodotto non verrà manipolato in maniera sicura e responsabile potrebbero risultare delle lesioni, dei gravi danni a persone, al prodotto o all'ambiente circostante. Questo prodotto non è concepito per essere usato dai bambini senza una diretta supervisione di un adulto. Il manuale del prodotto contiene le istruzioni di sicurezza, di funzionamento e di manutenzione del prodotto stesso. È fondamentale leggere e seguire tutte le istruzioni e le avvertenze nel manuale prima di mettere in funzione il prodotto. Solo così si eviterà un utilizzo errato e si preveniranno incidenti, lesioni o danni.

Domande, assistenza e riparazioni

Il vostro negozio locale e/o luogo di acquisto non possono fornire garanzie di assistenza o riparazione senza previo colloquio con Horizon. Questo vale anche per le riparazioni in garanzia. Quindi in tali casi bisogna interpellare un rivenditore, che si metterà in contatto subito con Horizon per prendere una decisione che vi possa aiutare nel più breve tempo possibile.

Manutenzione e riparazione

Se il prodotto deve essere ispezionato o riparato, si prega di rivolgersi ad un rivenditore specializzato o direttamente ad Horizon. Il prodotto deve essere imballato con cura. Bisogna far notare che i box originali solitamente non sono adatti per effettuare una spedizione senza subire alcun danno. Bisogna effettuare una spedizione via corriere che fornisca una tracciabilità e un'assicurazione, in quanto Horizon non si assume alcuna responsabilità in relazione alla spedizione del prodotto. Inserire il prodotto in una busta assieme ad una descrizione dettagliata degli errori e ad una lista di tutti i singoli componenti spediti. Inoltre abbiamo bisogno di un indirizzo completo, di un numero di telefono per chiedere ulteriori domande e di un indirizzo e-mail.

Garanzia a riparazione

Le richieste in garanzia verranno elaborate solo se è presente una prova d'acquisto in originale proveniente da un rivenditore specializzato autorizzato, nella quale è ben visibile la data di acquisto. Se la garanzia viene confermata, allora il prodotto verrà riparato o sostituito. Questa decisione spetta esclusivamente a Horizon Hobby.

Riparazioni a pagamento

Se bisogna effettuare una riparazione a pagamento, effettueremo un preventivo che verrà inoltrato al vostro rivenditore. La riparazione verrà effettuata dopo l'autorizzazione da parte del vostro rivenditore. La somma per la riparazione dovrà essere pagata al vostro rivenditore. Le riparazioni a pagamento avranno un costo minimo di 30 minuti di lavoro e in fattura includeranno le spese di restituzione. Qualsiasi riparazione non pagata e non richiesta entro 90 giorni verrà considerata abbandonata e verrà gestita di conseguenza.



ATTENZIONE: Le riparazioni a pagamento sono disponibili solo sull'elettronica e sui motori. Le riparazioni a livello meccanico, soprattutto per gli elicotteri e le vetture RC, sono molto costose e devono essere effettuate autonomamente dall'acquirente.

CONTATTI PER LA GARANZIA E L'ASSISTENZA

Paese di acquisto	Horizon Hobby	Telefono/indirizzo e-mail	Indirizzo
Germania	Horizon Technischer Service Sales: Horizon Hobby GmbH	service@horizonhobby.de +49 (0) 4121 2655 100	Hanskampring 9 D 22885 Barsbüttel, Germany

Dichiarazione di Conformità EU



Con la presente, Horizon Hobby, LLC dichiara che il dispositivo è conforme a quanto segue:

Direttiva Eco-design 1275/2008;

Direttiva RoHS 2 2011/65 / UE;

Direttiva RoHS 3 - Modifica 2011/65 / UE allegato II 2015/863;

Il testo completo della dichiarazione di conformità UE è disponibile al seguente indirizzo internet: <https://www.horizonhobby.com/content/support-render-compliance>.

Gamma di frequenza wireless / Potenza di uscita wireless

Trasmittitore

Max EIRP: 16.3

Frequency Range: 2403-2480MHz

Ricevitore

Max EIRP: -1.33dBm

Frequency Range: 2404-2476MHz

Produttore ufficiale dell'UE:

Horizon Hobby, LLC
2904 Research Road
Champaign, IL 61822 USA

Importatore ufficiale dell'UE:

Horizon Hobby, GmbH
Hanskampring 9
22885 Barsbüttel Germany



AVVISO RAEE:

Questo dispositivo è marcato ai sensi della Direttiva europea 2012/19/UE riguardante i rifiuti di apparecchiature elettriche ed elettroniche (RAEE). Il simbolo indica che il prodotto non va smaltito insieme ai rifiuti domestici. Il prodotto deve essere consegnato agli appositi centri di raccolta per consentirne il recupero e il riciclaggio.

IC Statement

Questo dispositivo contiene trasmettitori/ricevitori esenti da licenza che sono conformi agli standard RSS esenti da licenza della certificazione canadese ISED (Innovation, Science, and Economic Development). Il suo utilizzo è soggetto alle seguenti 2 condizioni:

1. Il dispositivo non deve causare interferenze.
2. Il dispositivo deve sopportare qualsiasi interferenza, comprese le interferenze che potrebbero causarne un azionamento indesiderato.

Replacement Parts / Ersatzteile / Pièces de rechange / Pezzi di ricambio

Part #	English	Deutsch	Français	Italiano
DYNAM3831	3650 6 Pole Marine Motor 2000Kv	3650 6-poliger Bootsmotor 2000 kv	Moteur 3650 6 Pôles Marine 2000Kv	Motore marino 6 poli 3650 2000 Kv
DYNAM3875	120A BL Marine ESC 2-6S	120 A bürstenloser Geschwindigkeitsregler 2-6S	120A BL Marine ESC 2-6S	ESC marino brushless 120 A 2-6S
PRB281058	Hull: Veles 29-inch	Rumpf: Veles 29-inch	Coque : Veles 29-inch	Scafo: Veles 29"
PRB281059	Canopy: Veles 29-inch	Verdeck: Veles 29-inch	Canopée : Veles 29-inch	Capottina: Veles 29"
PRB281060	Rudder: Veles 29-inch	Ruder: Veles 29-inch	Gouvernail : Veles 29-inch	Timone: Veles 29"
PRB282047	Propeller: UL 19 30-inch Hydroplane 1.7 x 1.6	Propeller: UL 19 76-cm-Wasserflugzeug 1,7 x 1,6	Hydroplane UL 19 30-inch RTR - Hélice 1,7 x 1,6	Elica: idroplano UL 19 30" 1,7 x 1,6
PRB282049	Motor Mount: Veles 29	Motorhalterung: Veles 29	Support moteur : Veles 29	Supporto motore: Veles 29"
PRB285000	ProBoat Break-away screw, nylon	ProBoat Abbrechschraube, Nylon	Écrou de sécurité en nylon Pro Boat	Vite sganciabile ProBoat, nylon
PRB286047	Prop Strut: UL 19 30-inch Hydroplane: RTR	Propellerstrebe: UL 19 30"-Wasserflugzeug: RTR	Hydroplane UL 19 30-inch RTR - Chaise d'hélice	Supporto esterno asse dell'elica: idroplano UL 19 30" RTR
SPMSLT300	SLT3 3-Channel SLT Radio System with SR315 Dual Protocol Receiver	SLT3 3-Kanal-SLT-Funksystem mit SR315 Dual-Protokoll-Empfänger	Système radio SLT à 3 canaux SLT3 avec récepteur double protocole SR315	Radiocomando SLT3 a 3 canali con ricevitore SR315 a doppio protocollo
SPMSR315	DSMR 3-Channel Sport Receiver	DSMR-Sportempfänger mit 3 Kanälen	Récepteur sport DSMR à 3 canaux	Ricevitore DSMR sport a 3 canali

Recommended Parts / Empfohlene Teile / Pièces recommandées / Pezzi consigliati

Part #	English	Deutsch	Français	Italiano
DYN2805	Nut Driver: 8mm	Mutterndreher: 8mm	Tournevis p/écrou: 8mm	Cacciavite a bussola: 8 mm
DYN2819	5 pc Metric Hex Driver Assortment	5-teiliges metrisches Inbusschlüssel-Set	Assortiment de 5 tournevis hexagonaux métriques (5pcs)	Set 5 pz. chiavi a brugola metriche
SPMXBC100	XBC100 Smart LiPo Battery Checker & Servo Driver	XBC100 Smart-LiPo-Akkuprüfer und Servotreiber	Contrôleur pour batterie Li-Po Smart XBC100 et servomoteur	Tester per batterie LiPo Smart e servomotore XBC100
DYN4201	Marine Grease 5 oz	Marine Grease 142 g (5 oz)	graisse marine 140g	grasso marino 5 oz
SPMX50002S100H5	7.4V 5000mAh 2S 100C Smart Hardcase LiPo Battery: IC5	7.4V 5000mAh 2S 100C Smart Li-Po-Akku, Hartschale: IC5	Batterie Li-Po Smart 7,4 V 5 000 mAh 2S 100C, boîtier rigide : IC5	Batteria 7,4V 5000 mAh 2S 100C Smart Hardcase LiPo: IC5
SPMX50003S100H5	11.1V 5000mAh 3S 100C Smart Hardcase LiPo Battery: IC5	11.1V 5000mAh 3S 100C Smart Li-Po-Akku, Hartschale: IC5	Batterie Li-Po Smart 7,4 V 5 000 mAh 2S 100C, boîtier rigide : IC5	Batteria 11,1 V 5000 mAh 3S 100C Smart Hardcase LiPo: IC5
SPMXCA508	Adapter: IC5 Battery / IC3 Device			
SPMXC1010	Smart S2100 AC Charger, 2x100W	Spektrum S2100 Smart Wechsel-/ Gleichstrom-Ladegerät, 2 x 100 W	Chargeur Spektrum Smart S2100 CA/CC, 2x100 W	Caricabatterie Spektrum S2100 CA/ CC Smart, 2x100 W
DYNK0300	Hook and Loop Tape Set, Waterproof 75x25mm 4pcs	Klettbandsatz, Wasserfest 75 x 25 mm, 4 Stück	Adhésif auto-agrippant 75x25mm (4pcs)	Nastro a strappo, waterproof, 75 x 25 mm 4 pz.
DYNAM0102	Clear Flexible Marine Tape (18M)	Transparentes, flexibles Marine Tape (18 m)	Adhésif Marin transparent flexible (18M)	Nastro marino flessibile trasparente (18 m.)
DYNS3005	Dynamite LED Program Card	Dynamite LED-Programmkarte	Carte de programmation à DELs pour bateau	Scheda di programmazione LED Dynamite



Optional Parts / Diverse Teile / Pièces optionnelles / Pezzi opzionali

Part #	English	Deutsch	Français	Italiano
DYN2801	Nut Driver: 4mm	Mutterndreher: 4mm	Tournevis p/écrou: 4mm	Cacciavite a bussola: 4 mm
DYN2803	Nut Driver: 5.5mm	Mutterndreher: 5,5mm	Tournevis p/écrou: 5,5mm	Cacciavite a bussola: 5,5 mm
DYN4401	GPS Speed Meter	GPS-Tachometer	Tachymètre GPS	Tachimetro GPS
DYNB3855EC	Reaction HD 7.6V 5000mAh 2S 50C LiPo Hardcase: EC5	Reaction HD 7,6 V 5000 mAh 2S 50C Li-Po, Etui: EC5	Batterie Li-Po Reaction HD 2S 7,6V 5000mA 50C, boîtier rigide avec prise EC5	Batteria LiPo hardcase Reaction HD 50C 2S 7,6 V 5000 mAh: EC5
DYNB3856EC	Reaction HD 11.4V 5000mAh 3S 50C LiPo, Hardcase: EC5	Reaction HD 11,4 V 5000 mAh 3S 50C Li-Po, Etui: EC5	Batterie Li-Po Reaction HD 3S 11,4V 5000mA 50C, boîtier rigide avec prise EC5	Batteria LiPo hardcase Reaction HD 50C 3S 11,4 V 5000 mAh: EC5
DYNC0028	EC5 Battery Series Harness, 10ga	Kabelbaum für EC5 Akkureihe, 10ga	Cordon EC5 pour branchement en série, 10ga	Cavi batteria EC5, 10ga
DYNE4200	Grease Gun with Marine Grease 5 oz	Fettpresse mit Marine Grease 142 g (5 oz)	Pistolet avec graisse marine 140g	Pistola sparagrasso con grasso marino 5 oz
DYNT0502	Start Up Tool Set: Pro Boat	Anfänger-Werkzeugsatz: Pro Boat	Proboat - Set d'outils de démarrage	Set attrezzi: Pro Boat
PRB282006	Stainless Steel Propeller: Pro Boat 1.6 x 1.6 for 3/16 shaft	Propeller aus Edelstahl: Pro Boat 1,6 x 1,6 für 3/16 Welle	Hélice en acier inoxydable : Pro Boat 40,6 mm x 40,6 mm pour arbre 4,5 mm	Elica di acciaio inox: Pro Boat 1,6 x 1,6 per albero 3/16
PRB282027	Left Propeller: Zelos 36-inch Catamaran 1.4 x 1.65	Linker Propeller Zelos 91-cm Katamaran 1,4 x 1,65	Zelos 36 Twin Catamaran BL - Hélice gauche 1,4 x 1,65	Elica sinistra: catamarano Zelos 36" 1,4 x 1,65
SPM5000	DX5R 5CH DSMR Tx w/SR6000T	DX5R 5-Kanal DSMR Tx mit SR6000T	DX5R 5CH DSMR Tx avec SR6000T	Trasmittente DX5R DSMR 5 canali con SR6000T
SPMS605	9KG Servo, WP, Metal, 23T	9KG Servo, WP, Metallf, 23T	Servo 9Kg à pignons métalliques, étanche, tête 23T	Servo 9 kg., waterproof, metallo, 23T
SPMMR4000	MR4000 DSMR 4 Ch Marine Receiver	MR4000 DSMR 4 Ch Bootsempfänger	Récepteur MR4000 4 voies marin	Ricevente marina MR4000 DSMR 4 canali
SPMSS6250	S6250 High Torque, HV Dig Servo	S6250 Digitaler HV-Servo mit hoher Drehzahl	Servo S6250 Digital HV, couple élevé	Servo digitale HV S6250 high torque

65812 PRB

Created: 11/2020

©2020 Horizon Hobby LLC.

Pro Boat, the Pro Boat logo, Veles, DSMR, EC5, Dynamite, Reaction, Passport and the Horizon Hobby logo are trademarks or registered trademarks of Horizon Hobby, LLC. The Spektrum trademark is used with permission of Bachmann Industries, Inc. All other trademarks, service marks and logos are property of their respective owners.

US 9,930,567. US 10,419,970. Other patents pending.