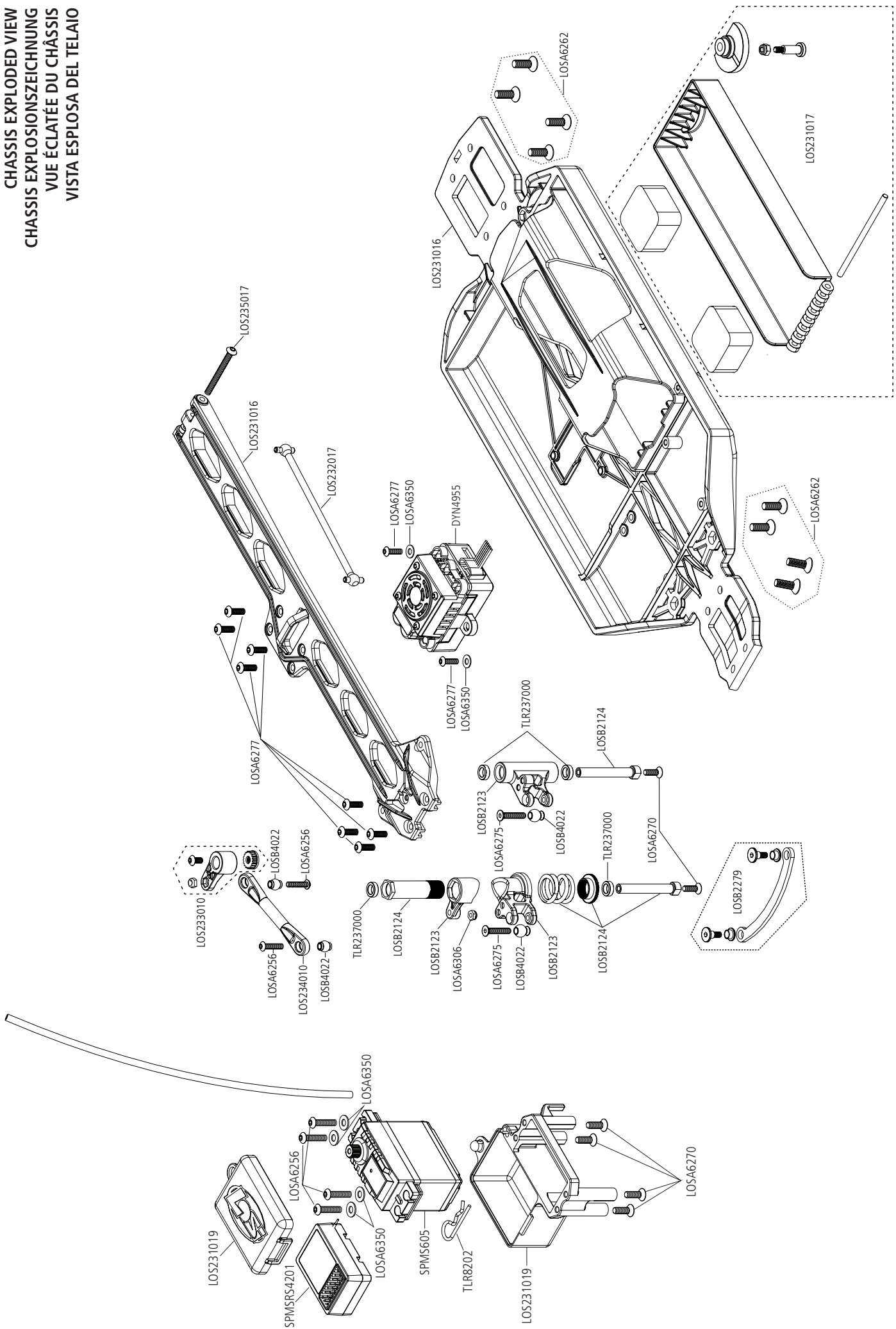




CHASSIS EXPLODED VIEW  
 CHASSIS EXPLOSIONSZEICHNUNG  
 VUE ÉCLATÉE DU CHÂSSIS  
 VISTA ESPLOSA DEL TELAIO











**WWW.LOSI.COM**

©2016 Horizon Hobby, LLC.

Losi, DSM, DSM2, DSMR, AVC, Active Vehicle Control, EC3, Dynamite, Fuze, Prophet and the Horizon Hobby logo are trademarks or registered trademarks of Horizon Hobby, LLC. The Spektrum trademark is used with permission of Bachmann Industries, Inc. Patents pending.

Created 02/16

49177 LOS03006 T1/T2

