

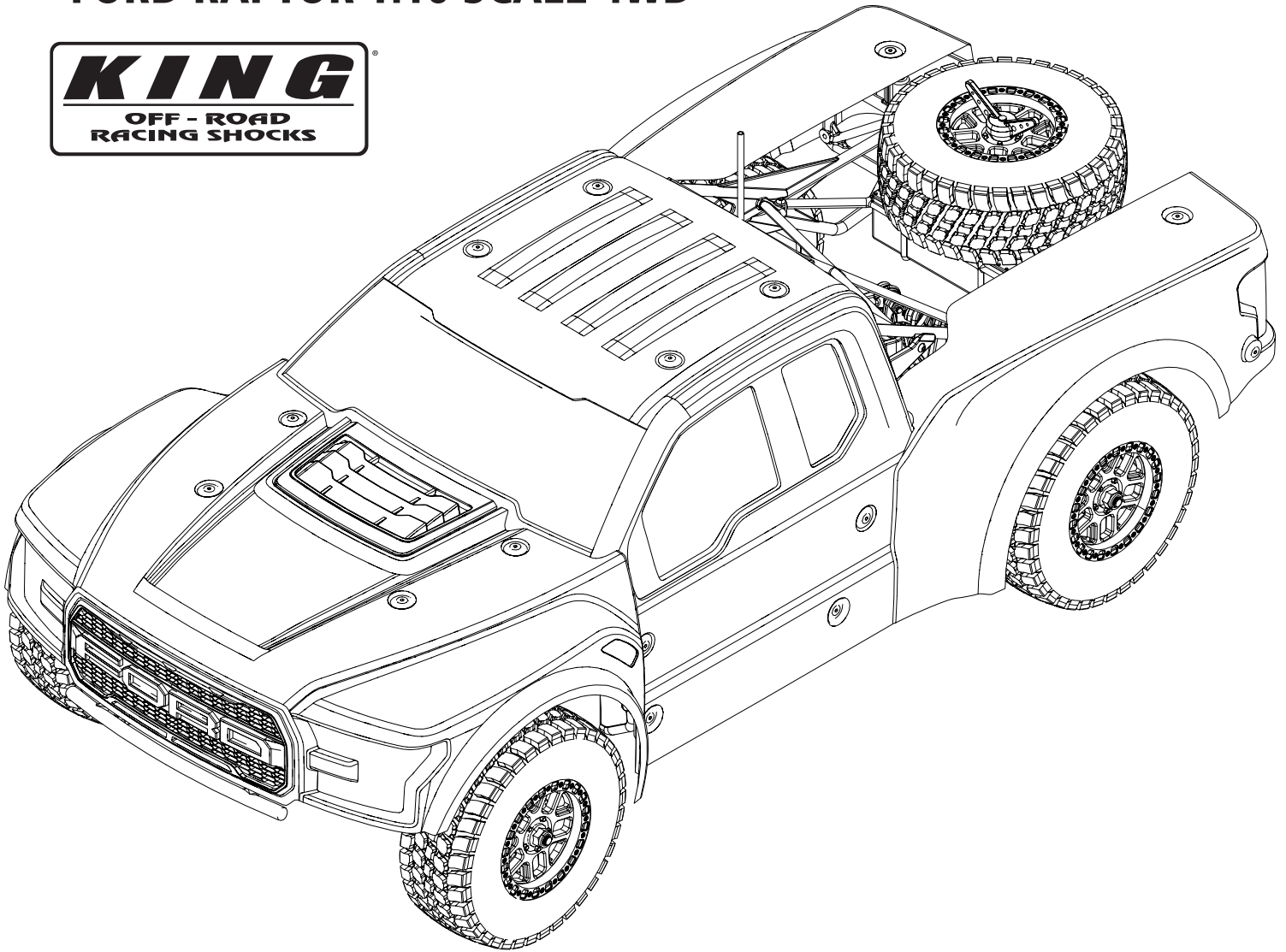
RTR
READY-TO-RUN

HORIZON
H O B B Y

BAJAREY®

FORD RAPTOR 1:10 SCALE 4WD

KING
OFF-ROAD
RACING SHOCKS



AVC® U.S. Pat. No. 9,320,977 and 10,528,060

INSTRUCTION MANUAL
BEDIENUNGSANLEITUNG
MANUEL D'UTILISATION
MANUALE DI ISTRUZIONI



Before operating this vehicle, please read all printed materials thoroughly.
Horizon Hobby is not responsible for inadvertent errors in this manual.

NOTICE

All instructions, warranties and other collateral documents are subject to change at the sole discretion of Horizon Hobby, LLC. For up-to-date product literature, visit horizonhobby.com or towerhobbies.com and click on the support or resources tab for this product.

MEANING OF SPECIAL LANGUAGE

The following terms are used throughout the product literature to indicate various levels of potential harm when operating this product:

WARNING: Procedures, which if not properly followed, create the probability of property damage, collateral damage, and serious injury OR create a high probability of superficial injury.

CAUTION: Procedures, which if not properly followed, create the probability of physical property damage AND a possibility of serious injury.

NOTICE: Procedures, which if not properly followed, create a possibility of physical property damage AND a little or no possibility of injury.

WARNING: Read the ENTIRE instruction manual to become familiar with the features of the product before operating. Failure to operate the product correctly can result in damage to the product, personal property and cause serious injury.

This is a sophisticated hobby product. It must be operated with caution and common sense and requires some basic mechanical ability. Failure to operate this Product in a safe and responsible manner could result in injury or damage to the product or other property. This product is not intended for use by children without direct adult supervision. Do not use with incompatible components or alter this product in any way outside of the instructions provided by Horizon Hobby, LLC. This manual contains instructions for safety, operation and maintenance. It is essential to read and follow all the instructions and warnings in the manual, prior to assembly, setup or use, in order to operate correctly and avoid damage or serious injury.

WARNING AGAINST COUNTERFEIT PRODUCTS Always purchase from a Horizon Hobby, LLC authorized dealer to ensure authentic high-quality Spektrum product. Horizon Hobby, LLC disclaims all support and warranty with regards, but not limited to, compatibility and performance of counterfeit products or products claiming compatibility with DSM or Spektrum technology.

Age Recommendation: Not for children under 14 years. This is not a toy.

SAFETY PRECAUTIONS AND WARNINGS

As the user of this product, you are solely responsible for operating in a manner that does not endanger yourself and others or result in damage to the product or property of others.

This model is controlled by a radio signal subject to interference from many sources outside your control. This interference can cause momentary loss of control, so it is advisable to always keep a safe distance in all directions around your model as this margin will help avoid collisions or injury.

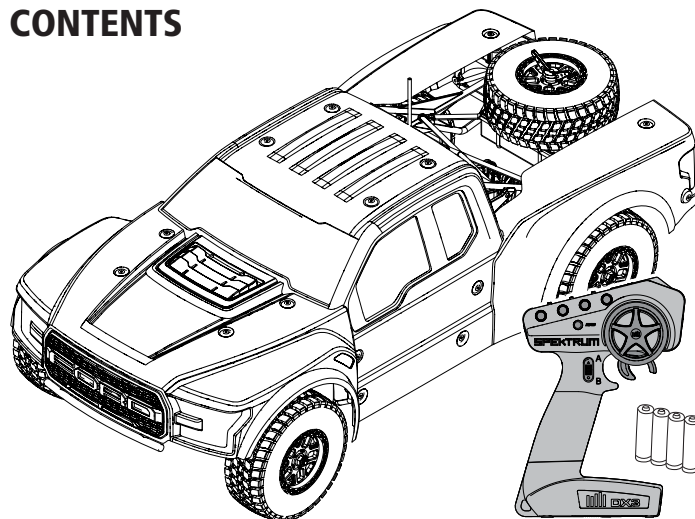
- Never operate your model with low transmitter batteries.
- Always operate your model in open spaces away from full-size vehicles, traffic and people.
- Never operate the model in the street or in populated areas for any reason.
- Carefully follow the directions and warnings for this and any optional support equipment (chargers, rechargeable battery packs, etc.) you use.
- Keep all chemicals, small parts and anything electrical out of the reach of children.

- Never lick or place any portion of the model in your mouth as it could cause serious injury or even death.
- Exercise caution when using tools and sharp instruments.
- Take care during maintenance as some parts may have sharp edges.
- Immediately after using your model, do NOT touch equipment such as the motor, electronic speed control and battery, because they generate high temperatures. You may burn yourself seriously touching them.
- Do not put fingers or any objects inside rotating and moving parts, as this may cause damage or serious injury.
- Always turn on your transmitter before you turn on the receiver in the car. Always turn off the receiver before turning your transmitter off.
- Keep the wheels of the model off the ground when checking the operation of the radio equipment.

TABLE OF CONTENTS

CONTENTS	2
WATER-RESISTANT VEHICLE WITH WATERPROOF ELECTRONICS	3
QUICK START	3
CHARGING THE BATTERY	3
INSTALLING THE BATTERY	4
SPEKTRUM DX3 RADIO SYSTEM	4
INSTALLING THE TRANSMITTER BATTERIES	4
SRS6200A AVC TECHNOLOGY RECEIVER	4
STABILITY ASSIST RECEIVER	5
DRIVING PRECAUTIONS	5
POWERING ON THE VEHICLE	5
BEFORE RUNNING YOUR VEHICLE	5
AVC SENSITIVITY	5
DISABLING AVC TECHNOLOGY	6
PERFORMING A CONTROL DIRECTION TEST	6
RUN TIME	6
CHANGING THE TRAVEL ADJUST SETTINGS	6
SPEKTRUM™ FIRMA™ SMART 130A BRUSHLESS ESC	6
SPEKTRUM™ FIRMA™ 3800KV BRUSHLESS MOTOR	8
TROUBLESHOOTING GUIDE	8
LIMITED WARRANTY	9
FCC INFORMATION	10
IC INFORMATION	10
WARRANTY AND SERVICE CONTACT INFORMATION	10
COMPLIANCE INFORMATION FOR THE EUROPEAN UNION	10
REPLACEMENT PARTS	35–36
OPTIONAL PARTS	36
EXPLODED VIEWS	37–41

CONTENTS



REGISTER YOUR LOSI PRODUCT ONLINE

Register your vehicle now and be the first to find out about the latest option parts, product updates and more. Click on the Support tab at www.losi.com and follow the product registration link to stay connected.

COMPONENTS


- Losi® Ford Raptor Baja Rey® King Shocks RTR with AVC® technology: 1/10-Scale 4WD Desert Truck
- Spektrum™ DX3 2.4GHz Transmitter (SPM2340)
- Spektrum™ 6-Channel DSMR® AVC Surface Receiver (SPMSR6200A)
- Spektrum™ 15KG 23T Steel Gear Waterproof Servo (SPMS614S)
- Spektrum™ 130A Sensorless Brushless Smart Waterproof 2-4S ESC (SPMXSE1130)
- Spektrum™ 550 Brushless Motor 3800Kv (SPMXSM2900)
- 4 AA batteries (for transmitter)

WATER-RESISTANT VEHICLE WITH WATERPROOF ELECTRONICS

Your new Horizon Hobby vehicle has been designed and built with a combination of waterproof and water-resistant components to allow you to operate the product in many “wet conditions,” including puddles, creeks, wet grass, snow and even rain.

While the entire vehicle is highly water-resistant, it is not completely waterproof and your vehicle should NOT be treated like a submarine. The various electronic components used in the vehicle, such as the Electronic Speed Control (ESC), servo(s) and receiver are waterproof, however, most of the mechanical components are water-resistant and should not be submerged.

Metal parts, including the bearings, hinge pins, screws and nuts, as well as the contacts in the electrical cables, will be susceptible to corrosion if additional maintenance is not performed after running in wet conditions. To maximize the long-term performance of your vehicle and to keep the warranty intact, the procedures described in the “Wet Conditions Maintenance” section below must be performed regularly if you choose to run in wet conditions. If you are not willing to perform the additional care and maintenance required, then you should not operate the vehicle in those conditions.

 **CAUTION:** Failure to exercise caution while using this product and complying with the following precautions could result in product malfunction and/or void the warranty.

GENERAL PRECAUTIONS

- Read through the wet conditions maintenance procedures and make sure that you have all the tools you will need to properly maintain your vehicle.
- Not all batteries can be used in wet conditions. Consult the battery manufacturer before use. Caution should be taken when using Li-Po batteries in wet conditions.
- Most transmitters are not water-resistant. Consult your transmitter’s manual or the manufacturer before operation.
- Never operate your transmitter or vehicle where lightning may be present.
- Do not operate your vehicle where it could come in contact with salt water (ocean water or water on salt-covered roads), contaminated or polluted water. Salt water is very conductive and highly corrosive, so use caution.
- Even minimal water contact can reduce the life of your motor if it has not been certified as water-resistant or waterproof. If the motor becomes excessively wet, apply very light throttle until the water is mostly removed from the motor. Running a wet motor at high speeds may rapidly damage the motor.

QUICK START

Please read the entire manual to gain a full understanding of the Baja Rey vehicle, fine-tuning the setup and performing maintenance.

1. **Read the safety precautions found in this manual.**
2. **Charge a battery for the vehicle. Refer to the included charging warnings and instructions for battery charging information.**
3. **Install the AA batteries in the transmitter. Only use alkaline or rechargeable batteries.**
4. **Install the fully charged battery in the vehicle.**
5. **Power ON the transmitter and then the vehicle. Wait 5 seconds for the ESC to initialize. Always power the transmitter ON before the vehicle and power it OFF after the vehicle has been powered OFF.**
6. **Check the steering and throttle control directions. Verify that the servos are moving in the correct direction.**
7. **Drive your vehicle.**
8. **Perform any necessary maintenance.**

CHARGING THE BATTERY

Choose a battery designed to work with the Spektrum™ 130A Sensorless Brushless Smart Waterproof 2-4S ESC. We recommend the Spektrum 7.4V 5000mAh 2S 50C Smart Hardcase LiPo Battery: IC5 (SPMX50002S50H5). Choose a charger designed to charge S2 Li-Po batteries. We recommend the Spektrum Smart S1100 AC Charger 1x100W (SPMXC1080). Refer to your battery and charger manuals for usage, safety, and charging information.

- Driving in wet conditions can reduce the life of the motor. The additional resistance of operating in water causes excess strain. Alter the gear ratio by using a smaller pinion or larger spur gear. This will increase torque (and motor life) when running in mud, deeper puddles, or any wet conditions that will increase the load on the motor for an extended period of time.

WET CONDITIONS MAINTENANCE

- Drain any water that has collected in the tires by spinning them at high speed. With the body removed, place the vehicle upside down and pull full throttle for a few short bursts until the water has been removed.



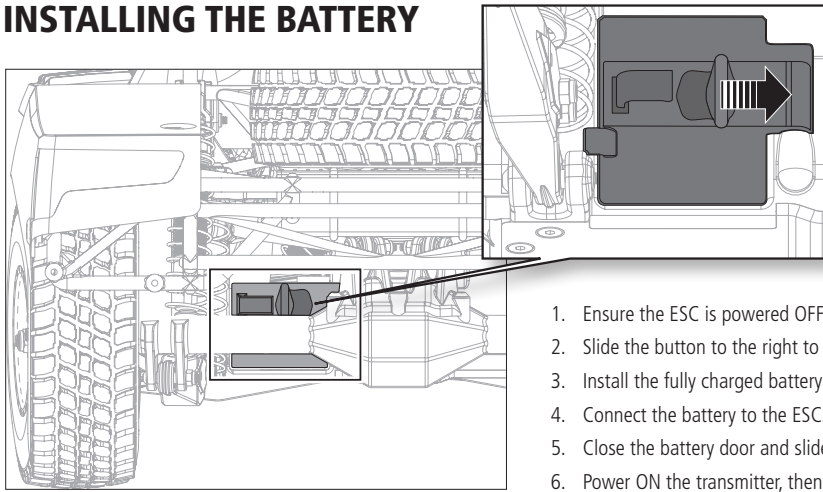
CAUTION: Always keep hands, fingers, tools and any loose or hanging objects away from rotating parts when performing the above drying technique.

- Remove the battery pack(s) and dry the contacts. If you have an air compressor or a can of compressed air, blow out any water that may be inside the recessed connector housing.
- Remove the tires/wheels from the vehicle and gently rinse the mud and dirt off with a garden hose. Avoid rinsing the bearings and transmission.

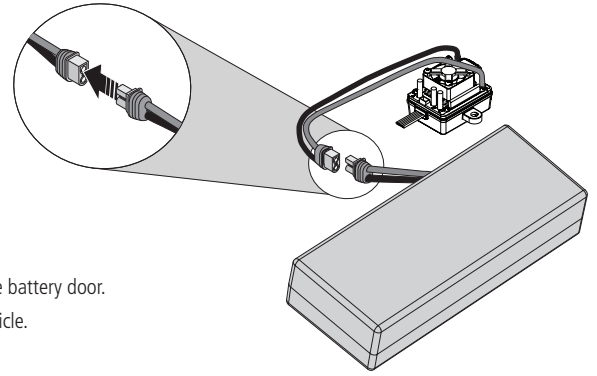
NOTICE: Never use a pressure washer to clean your vehicle.

- Use an air compressor or a can of compressed air to dry the vehicle and help remove any water that may have gotten into small crevices or corners.
- Spray the bearings, drive train, fasteners and other metal parts with a water-displacing light oil. Do not spray the motor.
- Let the vehicle air dry before you store it. Water (and oil) may continue to drip for a few hours.
- Increase the frequency of disassembly, inspection and lubrication of the following:
 - Front and rear axle hub assembly bearings.
 - All transmission cases, gears and differentials.
 - Motor—clean with an aerosol motor cleaner and re-oil the bushings with lightweight motor oil.

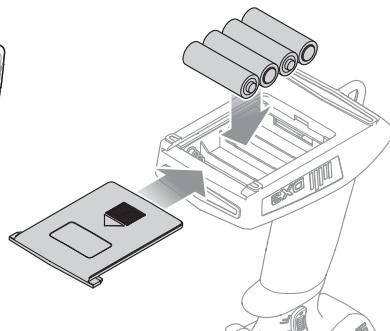
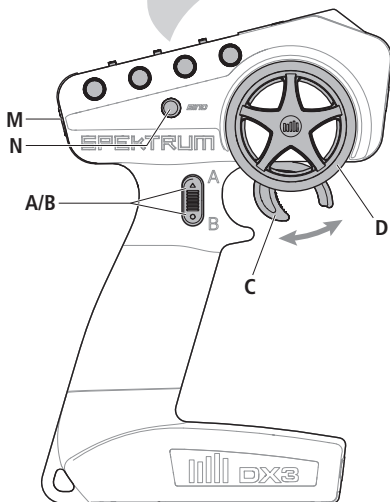
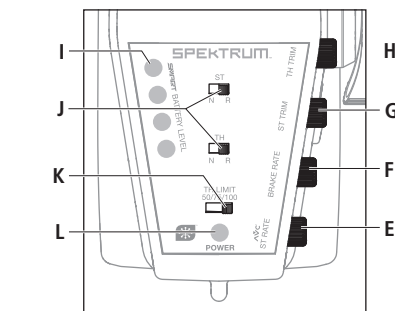
INSTALLING THE BATTERY



1. Ensure the ESC is powered OFF.
2. Slide the button to the right to release the battery door.
3. Install the fully charged battery in the vehicle.
4. Connect the battery to the ESC.
5. Close the battery door and slide the battery door button to the left to secure it.
6. Power ON the transmitter, then the vehicle.



SPEKTRUM™ DX3 RADIO SYSTEM



A/B. Channel 3 Button

C. Throttle/Brake

D. Steering Wheel

E. Steering Rate - Adjusts the end point of the steering

F. Brake Rate - Adjusts the braking end point.

G. Steering Trim - Adjusts the steering center point. Normally, the steering trim is adjusted until the vehicle tracks straight.

H. Throttle Trim - Adjusts the throttle neutral point

I. SMART Battery Level Indicator

J. Servo Reversing - To reverse the Throttle (TH) or Steering (ST) channel, switch the position of the correlating switch—"N" is for normal, "R" is for reverse.

K. Throttle Limit - Limits throttle output to 50/75/100% Select 50% or 75% for less experienced drivers or when you are driving the vehicle in a small area.

L. Power LED

- **Solid red lights:** Indicates radio connectivity and adequate battery power
- **Flashing red lights:** Indicates the battery voltage is critically low. Replace batteries

M. Power Button

N. Bind Button

INSTALLING THE TRANSMITTER BATTERIES

1. Push in the battery cover a small amount to release the retaining tab, then remove the cover.
2. Install 4 AA batteries, taking care to align the battery polarity to the diagram in the transmitter's battery case.
3. Carefully reinstall the battery cover by aligning the tabs with the slots on the transmitter.

For more information on the transmitter, go to www.horizonhobby.com and click on the support tab for the Spektrum DX3 to download the instruction manual.

CAUTION: Never remove the transmitter batteries while the model is powered ON. Loss of model control, damage, or injury may occur.

CAUTION: If using rechargeable batteries, charge only rechargeable batteries. Charging non-rechargeable batteries may cause the batteries to burst, resulting in injury to persons and/or damage to property.

CAUTION: Risk of explosion if battery is replaced by an incorrect type. Dispose of used batteries according to national regulations.

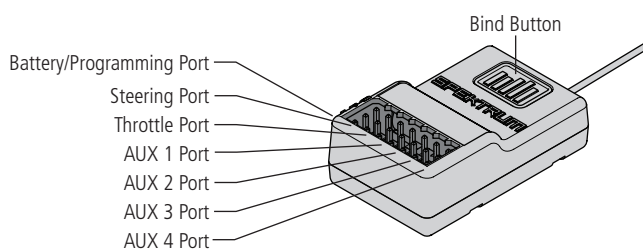
SRS6200A AVC TECHNOLOGY RECEIVER

AUX CHANNELS

The Aux channels can operate as additional servo channels, or as a power supply for a personal transponder.

If AVC is active, only 4 channels; Steering, Throttle, AUX3 and AUX4 are operational. The remaining Aux channels can be used to power a personal transponder or lights.

If AVC is disabled (see **DISABLING THE STABILITY ASSIST FUNCTION**), all 6 channels including the Aux channels can operate as servo channels.

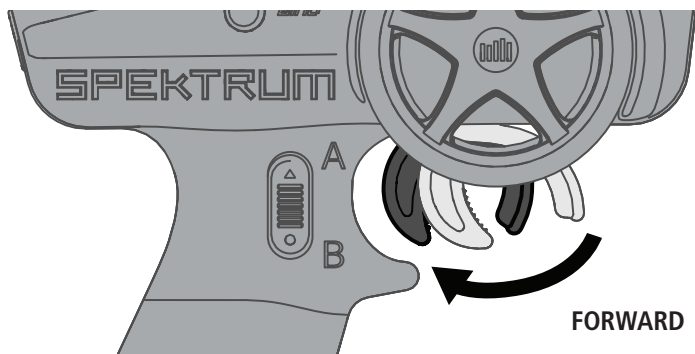


STABILITY ASSIST RECEIVER

AVC® – ACTIVE VEHICLE CONTROL™

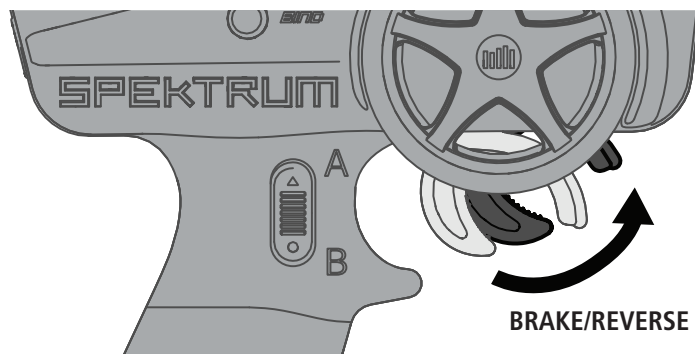
The Spektrum receiver features Active Vehicle Control™ (AVC®) technology that responds similar to traction control in full-scale vehicles. In addition to traction control, AVC technology also increases steering stability during high speed driving or while driving over rough terrain. As you increase the AVC sensitivity, the system increases steering stability and traction control, similar to reducing the amount of steering rate in a computer transmitter. Reducing the sensitivity value increases the amount of steering control from the transmitter. The receiver also enables you to quickly turn AVC on or off if you participate in organized racing.

IMPORTANT: You must use digital servos with the AVC receiver. Do not use analog servos as they will reduce the performance of the system and may cause overheating.



CALIBRATING THE RECEIVER

1. With the vehicle on a flat, level surface, insert the Bind Plug in the BIND port on the receiver.
2. Connect a fully charged battery pack to the ESC.
3. Power on the ESC. The orange LED flashes, indicating the receiver is in bind mode.
4. Center the ST TRIM and TH TRIM dials on the transmitter.
5. Press and hold the BIND button while powering on the transmitter.
6. Release the BIND button when the orange LED slowly flashes. The transmitter and receiver are linked when the orange LED is solid.
7. Pull the transmitter trigger to Full Throttle.
8. Push the transmitter trigger to Full Brake, then return the trigger to center.
9. Turn the transmitter steering wheel to Full Right.
10. Turn the transmitter steering wheel to Full Left, then return the steering wheel to center. The orange LED flashes once.
11. Remove the Bind Plug, then power off the receiver to save the settings.
12. Power off the transmitter.



DRIVING PRECAUTIONS

- Maintain sight of the vehicle at all times.
- Routinely inspect the vehicle for loose wheel hardware.
- Routinely inspect the steering assembly for any loose hardware. Driving the vehicle off-road can cause fasteners to loosen over time.
- Do not drive the vehicle in tall grass. Doing so can damage the vehicle or electronics.
- Stop driving the vehicle when you notice a lack of power. Driving the vehicle when the battery is discharged can cause the receiver to power off. If the receiver loses power, you will lose control of the vehicle. Damage due to an over-discharged Li-Po battery is not covered under warranty.



CAUTION: Do not discharge a Li-Po battery below 3V per cell. Batteries discharged to a voltage lower than the lowest approved voltage may become damaged, resulting in loss of performance and potential fire when batteries are charged.

- Do not apply forward or reverse throttle if the vehicle is stuck. Applying throttle in this instance can damage the motor or ESC.
- After driving the vehicle, allow the electronics to cool before driving the vehicle again.

IMPORTANT: Keep wires away from all moving parts.

POWERING ON THE VEHICLE

1. Center the ST TRIM and TH TRIM dials on the transmitter.
2. Power on the transmitter.
3. Remove the body from the vehicle.
4. Connect a fully charged battery pack to the ESC.
5. Power on the ESC.

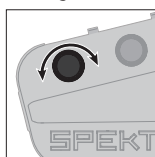
IMPORTANT: The vehicle **MUST** remain on a flat, level surface and motionless for at least 5 seconds.

BEFORE RUNNING YOUR VEHICLE

1. Check for free suspension movement. All suspension arms and steering components should move freely. Any binds will cause the vehicle to handle poorly.
2. Charge a battery pack. Always charge the battery pack as per the battery and/or charger manufacturers' instructions.
3. Set the transmitter steering trim. Follow the instructions to set the steering trim/subtrim so that the vehicle drives straight with no input to the steering.
4. Perform a Control Direction Test.

AVC® SENSITIVITY

The ST RATE dial adjusts the sensitivity, or stability, value in the receiver. If you increase the sensitivity, the AVC® system becomes more sensitive to the vehicle drifting left or right. You would use maximum sensitivity during high speed driving or drag racing, when you want the vehicle to stay in a straight line. As the sensitivity value increases, the amount of steering travel decreases.



Turn the ST RATE knob counter-clockwise to reduce the sensitivity.

Turn the ST RATE knob clockwise to increase the sensitivity.

IMPORTANT: The ST RATE knob will only adjust the sensitivity when the transmitter is bound to a DSMR® receiver. When the transmitter is bound to a DSM®, DSM2® or DSM Marine receiver, the ST RATE knob controls the steering dual rate.

DISABLING AVC® TECHNOLOGY

If you participate in organized racing, you may be required to turn AVC off. To turn AVC off:

1. Insert a Bind Plug in the BIND port on the receiver.
2. Insert a second Bind Plug in the DISABLE port on the receiver.
3. Connect a fully charged battery pack to the ESC.
4. Power on the ESC. The orange LED flashes, indicating the receiver is in bind mode.
5. Center the ST TRIM and TH TRIM dials on the transmitter.
6. Press and hold the BIND button while powering on the transmitter.
7. Release the BIND button when the orange LED slowly flashes. The transmitter and receiver are linked when the orange LED is solid.
8. Pull the transmitter trigger to Full Throttle.
9. Push the transmitter trigger to Full Brake, then return the trigger to center.
10. Turn the transmitter steering wheel to Full Right.
11. Turn the transmitter steering wheel to Full Left, then return the steering wheel to center. The orange LED flashes once.
12. Remove the Bind Plugs, then power off the receiver to save the settings. The receiver will continuously blink to indicate AVC is disabled.
13. Power off the transmitter.

IMPORTANT: You must calibrate the receiver each time it is placed in bind mode. To activate AVC, see the steps in "Calibrating the Receiver."

RUN TIME

The largest factor in run time is the capacity of the battery pack. A larger mAh rating increases the amount of run time experienced.

The condition of a battery pack is also an important factor in both run time and speed. The battery connectors may become hot during driving. Batteries will lose performance and capacity over time.

Driving the vehicle from a stop to full speed repeatedly will damage the batteries and electronics over time. Sudden acceleration will also lead to shorter run times.

TO IMPROVE RUN TIMES

- Keep your vehicle clean and well maintained.
- Allow more airflow to the ESC and motor.
- Change the gearing to a lower ratio. A lower ratio decreases the operating temperature of the electronics. Use a smaller pinion gear or larger spur gear to lower the gear ratio.
- Use a battery pack with a higher mAh rating.
- Use the optimum charger to charge battery packs. (Visit your local hobby dealer for more information.)

SPEKTRUM™ FIRMA™ SMART 130A BRUSHLESS ESC (SPMXSE1130)

SPECIFICATIONS

Type	Sensorless, SMART Throttle Compatible
Output	130A/760A
Function	Forward/Brake–Forward/Brake Reverse
Input Voltage	7.4V–14.8V
BEC Output	6V/4A
Dimensions (LxWxH)	57.5mm x 46mm x 38mm
Weight	154 g

ESC LED STATUS

- No ESC LEDs will glow when there is no throttle input from the transmitter.
- The red ESC LED glows when there is any throttle input from the transmitter.

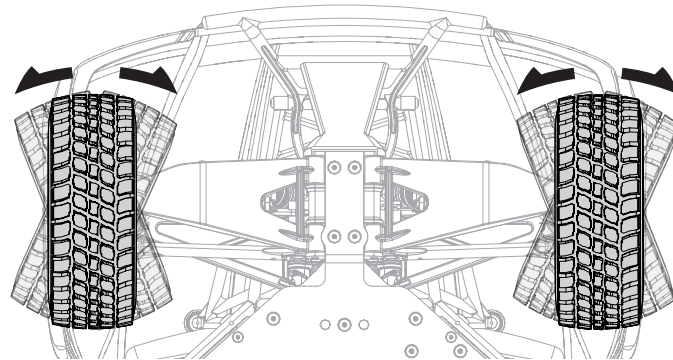
AUDIBLE WARNING TONES

1. **Input Voltage:** The ESC checks the input voltage when it is powered ON. If a voltage problem is detected, the ESC continuously sounds 2 beeps with a 1 second pause (xx-xx-xx). Power OFF the ESC and ensure the connections are secure and that the battery power is not too low for safe operation.
2. **Radio Connection:** The ESC checks radio signal input when it is powered ON. If a problem is detected, the ESC continuously sounds 1 beep with a 2 second pause (x--x--x). Power OFF the ESC and ensure the radio system is operating correctly.

NOTICE: Always disconnect the battery from the ESC after operating your vehicle. The ESC's switch only controls power to the receiver and servos. The ESC will continue to draw current when connected to the battery, resulting in possible damage to the battery through over discharge.

PERFORMING A CONTROL DIRECTION TEST

Perform a control test with the vehicle wheels off the ground. If the wheels rotate after the vehicle is powered ON, adjust the TH TRIM knob until they stop. To make the wheels move forward, pull the trigger. To reverse them, wait for the wheels to stop, then push the trigger.



When moving forward, the wheels should maintain a straight line without any steering wheel input. If not, adjust the ST TRIM knob, so the wheels maintain a straight line without having to turn the steering wheel.

CHANGING THE TRAVEL ADJUST SETTINGS

1. Hold the trigger in the full brake position and turn the steering wheel to Full Right while powering on the transmitter. The LED flashes rapidly, indicating the programming mode is active.
2. Throttle End Point: Continue holding full throttle. Turn the TH TRIM knob to adjust the full throttle end point.
3. Brake End Point: Hold the trigger in the full brake position. Turn the TH TRIM knob to adjust the full brake end point. Return the trigger to the center position.
4. Left Steering End Point: Hold the steering wheel in the full left position. Turn the ST TRIM knob to adjust the left end point.
5. Right Steering End Point: Hold the steering wheel in the full right position. Turn the ST TRIM knob to adjust the right end point. Return the steering wheel to the center position.
6. Power off the transmitter to save the travel adjust settings. The minimum travel is 75%, and the maximum travel is 150%.

IMPORTANT: If the travel is changed on the DX3, you must rebind and calibrate the receiver.

ESC CALIBRATION PROCEDURE

Complete the transmitter/receiver binding procedure prior to calibrating the ESC.

1. Set the transmitter throttle channel to 100% travel and center the throttle trim.
2. Connect a battery to the ESC battery lead.
3. Power on the transmitter.
4. Press and hold the SET button while turning on the ESC. Release the SET button when the red LED begins to flash, indicating the ESC is in calibration mode. The ESC will enter programming mode if the button is held for more than three seconds.

TIP: The red LED should be flashing when the ESC enters calibration mode. If the green LED is flashing the ESC has entered programming mode. Power off the ESC and repeat step 4, releasing the SET button when the red LED begins to flash.

5. With the transmitter throttle trigger at the neutral position, press and release the ESC SET button. The red LED will stop flashing, the green LED will flash one time and the motor will make a tone to indicate the neutral position has been accepted.
6. While holding the throttle trigger at the full throttle position, press and release the ESC SET button. The green LED will flash twice and the motor will make two tones to indicate the full throttle position has been accepted.
7. While holding the throttle trigger at the full brake position, press and release the SET button. The green LED will flash three times and the motor will make three tones to indicate the full brake position has been accepted.

The motor will operate normally after calibration is completed.

ESC FUNCTIONS AND MODES

The ESC includes programming options so you can adjust the way your vehicle performs. Refer to the included programming table to adjust the ESC for your driving conditions.

PROGRAMMING TABLE

■ Default Settings

PROGRAMMING ITEMS	PROGRAMMING VALUE								
	1	2	3	4	5	6	7	8	9
1. Running Mode	Forward w/ brake	Forward/Reverse w/ brake	Forward/Reverse						
2. Drag Brake Force	0%	5%	10%	20%	40%	60%	80%	100%	
3. Low Voltage Cutoff	non-protection	2.6V/Cell	2.8V/Cell	3.0V/Cell	3.2V/Cell	3.4V/Cell			
4. Start Mode	Level 1	Level 2	Level 3	Level 4	Level 5	Level 6	Level 7	Level 8	Level 9
5. Max Brake Force	25%	50%	75%	100%	disable				
6. Max Reverse Force	25%	50%	75%	100%					
7. Initial Brake Force	= Drag Brake	0%	20%	40%					
8. Neutral Range	6% (Narrow)	9% (Normal)	12% (Wide)						
9. Timing	0.00°	3.75°	7.50°	11.25°	15.00°	18.75°	22.50°	26.25°	
10. Motor Rotation	Counterclockwise	Clockwise							
11. Li-Po Cells	Auto Calculate	2 Cells	3 Cells	4 Cells	5 Cells	6 Cells			

ESC PROGRAMMING PROCEDURE

Programming is accomplished using the SET button on the ON/OFF switch*.

1. Connect a fully charged battery to the ESC.
2. Power on the transmitter.
3. Power on the ESC.
4. Hold the SET button until the green LED flashes. Release the set button to enter programming mode.

TIP: To reset all programming items to the default values, press and hold the set button for five seconds

5. Press and release the set button as needed to cycle through the programming items. The number of times the green LED flashes equals the programming item number given in the programming table.
6. When at the desired programming item, press and hold the set button until the red LED flashes to select the item.
7. Press and release the SET button to cycle through the values available for the programming item based on the number of times the LED flashes. Refer to the programming table.
8. Save the setting by pressing and holding the SET button for 3 seconds.
9. Power off the ESC to exit programming mode or to change other programming items.

*Other programming options include the Spektrum SMART Firma ESC Programming Box (SPMXCA200) and the SmartLink USB updating and programmer application. See SpektrumRC.com for more details about Spektrum SMART Firma ESCs.

DESCRIPTIONS

1. Running Mode

- *Forward Only with Brake*
Intended for competition use, this mode allows only forward and brake controls.
- *Forward/Reverse with Brake*
This mode is the basic all-around mode, allowing forward, reverse and brake controls. To engage reverse while moving forward, apply the brake until the vehicle has come to a complete stop, release brake, then apply the brake again. While braking or in reverse, engaging the throttle will result in the vehicle immediately accelerating forward.

2. Drag Brake Force

Adjusts the amount of brake automatically applied when the throttle is returned to the neutral position. This simulates the engine braking effect of a full-scale vehicle, allowing improved turn-in and your vehicle's general response to controls.

3. Low Voltage Cutoff

This function helps to prevent battery over-discharge. The ESC continuously monitors the battery's voltage. If the voltage falls below the voltage threshold for 2 seconds, the output power shuts off and the red LED flashes twice repeatedly.

The cutoff threshold calculation is based on individual Li-Po cell voltage. For Ni-MH batteries, if the voltage battery pack is higher than 9.0V, it will be treated as a 3-cell Li-Po battery pack; if it is lower than 9.0V, it will be treated as a 2-cell Li-Po battery pack. Example: for a 8.0V Ni-MH battery pack used with a 2.6V/cell threshold, it will be treated as a 2-cell Li-Po battery pack and the low-voltage cut-off threshold will be 5.2V (2.6x2=5.2).

4. Start Mode (Punch)

Sets the initial throttle punch when the car accelerates. Level 1 gives a very soft initial acceleration and level 4 gives a stronger initial acceleration.

5. Max Brake Force

Adjusts the maximum braking force. A higher value provides stronger braking, but can also cause the wheels to lock, resulting in loss of control of the car.

6. Max Reverse Force

This parameter adjusts the maximum power when travelling in reverse.

7. Initial Brake Force (minimum brake)

Adjusts the minimum amount of braking power when the brakes engage. The default value is equal to the drag brake value. A high value can lock the wheels when the brake is used.

8. Neutral Range

Adjusts the throttle sensitivity around the neutral point. A higher value results in the throttle having to be moved more for the vehicle to move forward, backward or brake.

9. Timing

Adjusts the motor drive current timing. More timing gives more performance, but can lower efficiency and cause damage to the motor and/or ESC by overload or overheating.

NOTICE: Always ensure the motor timing is set correctly. Failure to set the motor timing correctly can result in damage to the motor and ESC. Refer to the manufacturer instructions for recommended timing settings.

10. Motor Type

11. Motor Rotation

Allows you to make this change in the ESC so no wires need to be changed between the ESC and the motor.

12. Li-Po Cells

Allows the ESC to automatically detect or manually set the number of cells in your Li-Po battery back.

SPEKTRUM™ FIRMA™ 3800KV BRUSHLESS MOTOR

PRECAUTIONS

- Never touch moving parts.
- Never disassemble while the batteries are installed.
- Always let parts cool before touching.

GEARING

Your vehicle has been equipped with the optimal gearing for the stock platform. It offers an ideal balance between speed, power and efficiency. Should you decide to customize your vehicle with optional batteries or motors, it may be necessary for you to change the pinion or spur gear.

Installing a pinion gear with fewer teeth or a spur gear with more teeth will provide greater torque but will reduce top speed. Likewise, a pinion gear with more teeth or a spur gear with fewer teeth will reduce torque and increase top speed. Care should be taken when installing larger pinion gears as this can "overgear" the vehicle, resulting in overheating of the motor and ESC. When testing different gearing options, pay close attention to the temperature of the motor and speed control to ensure you are operating within the temperature range of the components. The motor or ESC should never be so hot that it cannot be touched. If temperatures are too hot, a different gearing combination with a lower pinion gear and/or higher spur gear is suggested.

TROUBLESHOOTING GUIDE

PROBLEM	POSSIBLE CAUSE	SOLUTION
Vehicle does not operate	Battery not charged or plugged in	Charge battery/plug in
	ESC switch not "On"	Turn on ESC switch
	Transmitter not "On" or low battery	Turn on/replace batteries
Motor runs but wheels do not rotate	Pinion not meshing with spur gear	Adjust pinion/spur mesh
	Pinion spinning on motor shaft	Tighten pinion gear setscrew on motor shaft flat spot
	Transmission gears stripped	Replace transmission gears
	Drive pin broken	Check and replace drive pin
Steering does not work	Servo plug not in receiver properly	Make sure the steering servo plug is connected to the receiver steering channel, noting proper polarity
	Servo gears or motor damaged	Replace or repair servo
Will not turn one direction	Servo gears damaged	Replace or repair servo
Motor does not run	Motor wire solder joint is damaged	Resolder the motor wire with the proper equipment
	Motor wire broken	Repair or replace as needed
	ESC damaged	Contact Horizon Hobby Product Support
ESC gets hot	Motor over-gearred	Use smaller pinion or larger spur gear
	Driveline bound up	Check wheels and transmission for binding
Poor run time and/or sluggish acceleration	Battery pack not fully charged	Recharge battery
	Charger not allowing full charge	Try another charger
	Driveline bound up	Check wheels, transmission for binding
Poor range and/or glitching	Transmitter batteries low	Check and replace
	Vehicle battery low	Recharge battery
	Loose plugs or wires	Check all wire connections and plugs

2-YEAR LIMITED WARRANTY

What this Warranty Covers

Horizon Hobby, LLC, (Horizon) warrants to the original purchaser that the product purchased (the "Product") will be free from defects in materials and workmanship for a period of 2 years from the date of purchase.

What is Not Covered

This warranty is not transferable and does not cover (i) cosmetic damage, (ii) damage due to acts of God, accident, misuse, abuse, negligence, commercial use, or due to improper use, installation, operation or maintenance, (iii) modification of or to any part of the Product, (iv) attempted service by anyone other than a Horizon Hobby authorized service center, (v) Product not purchased from an authorized Horizon dealer, or (vi) Product not compliant with applicable technical regulations or (vii) use that violates any applicable laws, rules, or regulations.

OTHER THAN THE EXPRESS WARRANTY ABOVE, HORIZON MAKES NO OTHER WARRANTY OR REPRESENTATION, AND HEREBY DISCLAIMS ANY AND ALL IMPLIED WARRANTIES, INCLUDING, WITHOUT LIMITATION, THE IMPLIED WARRANTIES OF NON-INFRINGEMENT, MERCHANTABILITY AND FITNESS FOR A PARTICULAR PURPOSE. THE PURCHASER ACKNOWLEDGES THAT THEY ALONE HAVE DETERMINED THAT THE PRODUCT WILL SUITABLY MEET THE REQUIREMENTS OF THE PURCHASER'S INTENDED USE.

Purchaser's Remedy

Horizon's sole obligation and purchaser's sole and exclusive remedy shall be that Horizon will, at its option, either (i) service, or (ii) replace, any Product determined by Horizon to be defective. Horizon reserves the right to inspect any and all Product(s) involved in a warranty claim. Service or replacement decisions are at the sole discretion of Horizon. Proof of purchase is required for all warranty claims. SERVICE OR REPLACEMENT AS PROVIDED UNDER THIS WARRANTY IS THE PURCHASER'S SOLE AND EXCLUSIVE REMEDY.

Limitation of Liability

HORIZON SHALL NOT BE LIABLE FOR SPECIAL, INDIRECT, INCIDENTAL OR CONSEQUENTIAL DAMAGES, LOSS OF PROFITS OR PRODUCTION OR COMMERCIAL LOSS IN ANY WAY, REGARDLESS OF WHETHER SUCH CLAIM IS BASED IN CONTRACT, WARRANTY, TORT, NEGLIGENCE, STRICT LIABILITY OR ANY OTHER THEORY OF LIABILITY, EVEN IF HORIZON HAS BEEN ADVISED OF THE POSSIBILITY OF SUCH DAMAGES. Further, in no event shall the liability of Horizon exceed the individual price of the Product on which liability is asserted. As Horizon has no control over use, setup, final assembly, modification or misuse, no liability shall be assumed nor accepted for any resulting damage or injury. By the act of use, setup or assembly, the user accepts all resulting liability. If you as the purchaser or user are not prepared to accept the liability associated with the use of the Product, purchaser is advised to return the Product immediately in new and unused condition to the place of purchase.

Law

These terms are governed by Illinois law (without regard to conflict of law principals). This warranty gives you specific legal rights, and you may also have other rights which vary from state to state. Horizon reserves the right to change or modify this warranty at any time without notice.

WARRANTY SERVICES

Questions, Assistance, and Services

Your local hobby store and/or place of purchase cannot provide warranty support or service. Once assembly, setup or use of the Product has been started, you must contact your local

distributor or Horizon directly. This will enable Horizon to better answer your questions and service you in the event that you may need any assistance. For questions or assistance, please visit our website at www.horizonhobby.com, submit a Product Support Inquiry, or call the toll free telephone number referenced in the Warranty and Service Contact Information section to speak with a Product Support representative.

Inspection or Services

If this Product needs to be inspected or serviced and is compliant in the country you live and use the Product in, please use the Horizon Online Service Request submission process found on our website or call Horizon to obtain a Return Merchandise Authorization (RMA) number. Pack the Product securely using a shipping carton. Please note that original boxes may be included, but are not designed to withstand the rigors of shipping without additional protection. Ship via a carrier that provides tracking and insurance for lost or damaged parcels, as Horizon is not responsible for merchandise until it arrives and is accepted at our facility. An Online Service Request is available at http://www.horizonhobby.com/content/_service-center_render-service-center. If you do not have internet access, please contact Horizon Product Support to obtain a RMA number along with instructions for submitting your product for service. When calling Horizon, you will be asked to provide your complete name, street address, email address and phone number where you can be reached during business hours. When sending product into Horizon, please include your RMA number, a list of the included items, and a brief summary of the problem. A copy of your original sales receipt must be included for warranty consideration. Be sure your name, address, and RMA number are clearly written on the outside of the shipping carton.

NOTICE: Do not ship Li-Po batteries to Horizon. If you have any issue with a Li-Po battery, please contact the appropriate Horizon Product Support office.

Warranty Requirements

For Warranty consideration, you must include your original sales receipt verifying the proof-of-purchase date. Provided warranty conditions have been met, your Product will be serviced or replaced free of charge. Service or replacement decisions are at the sole discretion of Horizon.

Non-Warranty Service

Should your service not be covered by warranty, service will be completed and payment will be required without notification or estimate of the expense unless the expense exceeds 50% of the retail purchase cost. By submitting the item for service you are agreeing to payment of the service without notification. Service estimates are available upon request. You must include this request with your item submitted for service. Non-warranty service estimates will be billed a minimum of ½ hour of labor. In addition you will be billed for return freight. Horizon accepts money orders and cashier's checks, as well as Visa, MasterCard, American Express, and Discover cards. By submitting any item to Horizon for service, you are agreeing to Horizon's Terms and Conditions found on our website http://www.horizonhobby.com/content/service-center_render-service-center.

ATTENTION: Horizon service is limited to Product compliant in the country of use and ownership. If received, a non-compliant Product will not be serviced. Further, the sender will be responsible for arranging return shipment of the un-serviced Product, through a carrier of the sender's choice and at the sender's expense. Horizon will hold non-compliant Product for a period of 60 days from notification, after which it will be discarded.

Warranty and Service Contact Information

Country of Purchase	Horizon Hobby	Contact Information	Address
United States of America	Horizon Service Center (Repairs and Repair Requests)	servicecenter.horizonhobby.com/RequestForm/	2904 Research Road Champaign, Illinois 61822 USA*
	Horizon Product Support (Product Technical Assistance)	productsupport@horizonhobby.com 877-504-0233	
	Sales	websales@horizonhobby.com 800-338-4639	
European Union	Horizon Technischer Service	service@horizonhobby.eu +49 (0) 4121 2655 100	Hanskampring 9 D 22885 Barsbüttel, Germany
	Sales: Horizon Hobby GmbH		

*For the most up-to-date customer service contact information, please visit: www.horizonhobby.com/content/service-center-render-service-center


FCC INFORMATION

FCC ID: CONTAINS BRWKATY1T | FCC ID: CONTAINS BRWSPMSR6200A

This equipment complies with FCC and IC radiation exposure limits set forth for an uncontrolled environment. This equipment should be installed and operated with minimum distance 20cm between the radiator and/or antenna and your body (excluding fingers, hands, wrists, ankles and feet). This transmitter must not be co-located or operating in conjunction with any other antenna or transmitter.

Supplier's Declaration of Conformity LOSI FORD RAPTOR BAJA RAY KING SHOCKS, RTR: 1/10 4WD (LOS03020V2T1)

This device complies with part 15 of the FCC Rules. Operation is subject to the following two conditions: (1) This device may not cause harmful interference, and (2) this device must accept any interference received, including interference that may cause undesired operation.

 **CAUTION:** changes or modifications not expressly approved by the party responsible for compliance could void the user's authority to operate the equipment.

NOTE: This equipment has been tested and found to comply with the limits for a Class B digital device, pursuant to part 15 of the FCC Rules. These limits are designed to provide reasonable protection against harmful interference in a residential installation. This equipment generates, uses and can radiate radio frequency energy and, if not installed and used in accordance with the instructions, may cause harmful interference to radio communications. However, there is no guarantee that interference will not occur in a particular installation. If this equipment does cause harmful interference to radio or television reception, which can be determined by turning the equipment off and on, the user is encouraged to try to correct the interference by one or more of the following measures:

- Reorient or relocate the receiving antenna.
- Increase the separation between the equipment and receiver.
- Connect the equipment into an outlet on a circuit different from that to which the receiver is connected.
- Consult the dealer or an experienced radio/TV technician for help.

Horizon Hobby, LLC
2904 Research Rd.,
Champaign, IL 61822
Email: compliance@horizonhobby.com
Web: HorizonHobby.com


IC INFORMATION

IC: CONTAINS 6157A-KATY1T | CONTAINS 6157A-SPMSR6200A
CAN ICES-3 (B)/NMB-3(B)

This device contains license-exempt transmitter(s)/receiver(s) that comply with Innovation, Science, and Economic Development Canada's license-exempt RSS(s). Operation is subject to the following 2 conditions:

1. This device may not cause interference.
2. This device must accept any interference, including interference that may cause undesired operation of the device.

COMPLIANCE INFORMATION FOR THE EUROPEAN UNION


 **EU Compliance Statement:**
**LOSI FORD RAPTOR BAJA RAY KING SHOCKS, RTR: 1/10 4WD
(LOS03020V2T1)** Hereby, Horizon Hobby, LLC declares that the device is in compliance with the following: EU Radio Equipment Directive 2014/53/EU, RoHS 2 Directive 2011/65/EU, RoHS 3 Directive - Amending 2011/65/EU Annex II 2015/863.

NOTE: This product contains batteries that are covered under the 2006/66/EC European Directive, which cannot be disposed of with normal household waste. Please follow local regulations.

The full text of the EU declaration of conformity is available at the following internet address: <https://www.horizonhobby.com/content/support-render-compliance>.

Transmitter:
Frequency Band: 2402.0–2478.0 MHz
Max EIRP: 17.5 dBm

Receiver:
Frequency Band: 2402-2478 MHz
Max EIRP: 20 dBm

WEEE NOTICE:
 This appliance is labeled in accordance with European Directive 2012/19/EU concerning waste of electrical and electronic equipment (WEEE). This label indicates that this product should not be disposed of with household waste. It should be deposited at an appropriate facility to enable recovery and recycling.

EU Manufacturer of Record:
Horizon Hobby, LLC
2904 Research Road
Champaign, IL 61822 USA

EU Importer of Record:
Horizon Hobby, GmbH
Hanskampring 9
22885 Barsbüttel Germany

Australia/New Zealand:



HINWIS

Allen Anweisungen, Garantien und anderen zugehörigen Dokumenten sind Änderungen nach Ermessen von Horizon Hobby, LLC vorbehalten. Aktuelle Produktliteratur finden Sie unter horizonhobby.com oder towerhobbies.com im Support-Abschnitt für das Produkt.

ERKLÄRUNG DER BEGRIFFE

Die folgenden Begriffe werden in der gesamten Produktliteratur verwendet, um auf unterschiedlich hohe Gefahrenrisiken beim Betrieb dieses Produkts hinzuweisen:

WARNUNG: Wenn diese Verfahren nicht korrekt befolgt werden, ergeben sich wahrscheinlich Sachschäden, Kollateralschäden und schwere Verletzungen ODER mit hoher Wahrscheinlichkeit oberflächliche Verletzungen.

ACHTUNG: Wenn diese Verfahren nicht korrekt befolgt werden, ergeben sich wahrscheinlich Sachschäden UND die Gefahr von schweren Verletzungen.

HINWEIS: Wenn diese Verfahren nicht korrekt befolgt werden, können sich möglicherweise Sachschäden UND geringe oder keine Gefahr von Verletzungen ergeben.

⚠️ WARNUNG: Lesen Sie die GESAMTE Bedienungsanleitung, um sich vor dem Betrieb mit den Produktfunktionen vertraut zu machen. Wird das Produkt nicht korrekt betrieben, kann dies zu Schäden am Produkt oder persönlichem Eigentum führen oder schwere Verletzungen verursachen.

Dies ist ein hochentwickeltes Hobby-Produkt. Es muss mit Vorsicht und gesundem Menschenverstand betrieben werden und benötigt gewisse mechanische Grundfähigkeiten. Wird dieses Produkt nicht auf eine sichere und verantwortungsvolle Weise betrieben, kann dies zu Verletzungen oder Schäden am Produkt oder anderen Sachwerten führen. Versuchen Sie nicht ohne Genehmigung durch Horizon Hobby, LLC, das Produkt zu zerlegen, es mit inkompatiblen Komponenten zu verwenden oder auf jegliche Weise zu erweitern. Diese Bedienungsanleitung enthält Anweisungen für Sicherheit, Betrieb und Wartung. Es ist unbedingt notwendig, vor Zusammenbau, Einrichtung oder Verwendung alle Anweisungen und Warnhinweise im Handbuch zu lesen und zu befolgen, damit es bestimmungsgemäß betrieben werden kann und Schäden oder schwere Verletzungen vermieden werden.

⚠️ WARNUNG ZU GEFÄLSCHTEN PRODUKTEN Bitte kaufen Sie Ihre Spektrum Produkte immer von einem autorisiertem Händler um sicherzu stellen, dass Sie ein authentisches hochqualitatives original Spektrum Produkt gekauft haben. Horizon Hobby lehnt jede Unterstützung, Service oder Garantieleistung von gefälschten Produkten oder Produkten ab die von sich in Anspruch nehmen kompatibel mit Spektrum oder DSM zu sein.

Nicht geeignet für Kinder unter 14 Jahren. Dies ist kein Spielzeug.

SICHERHEITSHINWEISE UND WARNUNGEN

Als Nutzer dieses Produktes, sind Sie allein verantwortlich, es in einer Art und Weise zu benutzen, die eine eigene Gefährdung und die anderer oder Beschädigung an anderem Eigentum ausschließt.

Das Modell ist ferngesteuert und anfällig für bestimmte äußere Einflüsse. Diese Einflüsse können zum vorübergehenden Verlust der Steuerfähigkeit führen, so dass es immer sinnvoll ist genügend Sicherheitsabstand in alle Richtungen um das Modell zu haben.

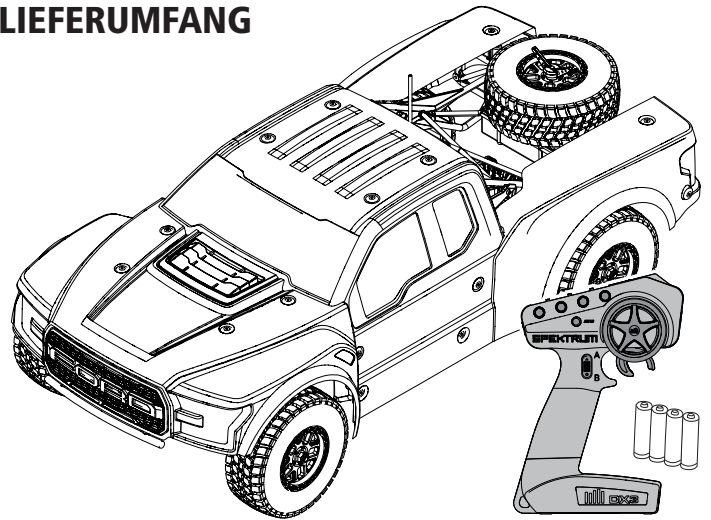
- Fahren Sie das Modell nie mit fast leeren oder schwachen Senderbatterien.
- Betreiben Sie Ihr Modell stets auf offenen Geländen, weit ab von Automobilen, Verkehr und Menschen.
- Fahren Sie Ihr Modell nicht auf der Straße oder belebten Plätzen.
- Beachten Sie vorsichtig alle Hinweise und Warnungen für das Modell und allen dazu gehörigen Equipment.

- Halten Sie alle Chemikalien, Kleinteile und elektrische Bauteile aus der Reichweite von Kindern.
- Lecken Sie niemals an Teilen von Ihrem Modell oder nehmen diese in den Mund, da diese Sie ernsthaft verletzen oder töten können.
- Seien Sie immer aufmerksam wenn Sie Werkzeug oder scharfe Instrumente verwenden.
- Seien Sie bei dem Bau vorsichtig, da einige Teile scharfe Kanten haben könnten.
- Fassen Sie bitte unmittelbar nach dem Betrieb nicht den Motor, Regler oder Akku an, da diese Teile sich sehr erwärmen können und Sie sich bei dem berühren ernsthaft verbrennen können.
- Fassen Sie nicht in drehende oder sich bewegende Teile, da sich ernsthaft dabei verletzen können.
- Schalten Sie immer zuerst den Sender ein, bevor Sie den Empfänger im Fahrzeug einschalten.
- Stellen Sie das Fahrzeug mit den Rädern nicht auf den Boden, wenn Sie die Funktionen überprüfen.

INHALTSVERZEICHNIS

LIEFERUMFANG.....	11
WASSERFESTES FAHRZEUG MIT SPRITZWASSERGESCHÜTZTER ELEKTRONIK.....	12
QUICK START.....	12
LADEN DES AKKUS.....	12
EINSETZEN DES AKKUS.....	13
SPEKTRUM DX2E FUNKSYSTEM.....	13
EINSETZEN DER SENDERBATTERIEN.....	13
SRS6200A AVC-TECHNOLOGIE EMPFÄNGER.....	13
STABILITY ASSIST EMPFÄNGER.....	14
SICHERHEITSHINWEISE BEIM FAHREN.....	14
EINSCHALTEN DES FAHRZEUGES.....	14
BEVOR SIE IHR FAHRZEUG FAHREN.....	14
EINSTELLEN DES GAINWERTES.....	14
DEAKTIVIEREN AVC TECHNOLOGIE.....	15
DURCHFÜHREN EINES STEUERTEST.....	15
LAUFZEIT.....	15
ÄNDERN DER SERVOWEGEINSTELLUNGEN.....	15
SPEKTRUM FIRMA SMART 130A BÜRSTENLOSER.....	15
GESCHWINDIGKEITSREGLER.....	15
SPEKTRUM FIRMA 3800KV BRUSHLESS MOTOR.....	17
PROBLEMLÖSUNG.....	17
GARANTIE UND SERVICE INFORMATIONEN.....	18
GARANTIE UND SERVICE KONTAKTINFORMATIONEN.....	18
RECHTLICHE INFORMATIONEN FÜR DIE EUROPÄISCHE UNION.....	18
TEILELISTE.....	35–36
DIVERSE TEILE.....	36
EXPLOSIONSZEICHNUNG.....	37–41

LIEFERUMFANG



REGISTRIEREN SIE IHR LOSI PRODUKT ONLINE

Registrieren Sie Ihr Fahrzeug jetzt und erfahren Sie als erstes alles über optionale Teile, neue Produkte und vieles mehr. Wählen Sie www.losi.com und folgen den Anweisungen des Registrierungs Links.

KOMPONENTEN

- Losi Ford Raptor Baja Rey® King Shocks RTR mit AVC® Technologie: 4WD Wüstenfahrzeug im Maßstab 1/10
- Spektrum™ DX3 2.4GHz-Sender (SPM2340)
- Spektrum™ 6-Kanal DSMR® AVC Oberflächenempfänger (SPMSR6200A)
- Spektrum™ 15KG 23T, wasserdichter Zahnrad servo aus Stahl (SPMS614S)
- Spektrum™ 130A Sensorless Brushless Smart wasserdicht 2-4S ESC (SPMXSE1130)
- Spektrum™ 550 Brushless Motor 3800Kv (SPMXSM2900)
- 4 AA Akkus (für Sender)

WASSERFESTES FAHRZEUG MIT SPRITZWASSERGESCHÜTZTER ELEKTRONIK

Ihr neues Horizon Hobby Fahrzeug wurde mit einer Kombination von wasserfesten und spritzwassergeschützten Komponenten ausgestattet, die den Betrieb des Fahrzeuges unter nassen Bedingungen inklusive Pfützen, Bächen, nassem Gras, Schnee oder sogar Regen ermöglichen.

Obwohl das Fahrzeug sehr wasserfest ausgelegt ist, ist es nicht vollständig wasserdicht und sollte NICHT wie ein U-Boot behandelt werden. Die verschiedenen elektronischen Komponenten wie der elektronische Fahrtregler (ESC), die Servos und Empfänger sind wasserdicht, die meisten mechanischen Komponenten sind nur wasserbeständig und sollten daher nicht untergetaucht werden.

Metallteile, inklusive Lager, Bolzen, Schrauben und Muttern wie auch die Kontakte in den elektrischen Kabeln sind für Korrosion anfällig wenn nicht zusätzliche Wartung nach jedem Betrieb in feuchter/nasser Umgebung erfolgt. Um die Langzeitleistung und die Garantie Ihres Fahrzeuges zu erhalten, müssen Sie die Wartung wie in der Wartungsanleitung nach Fahrten in nasser Umgebung beschrieben durchführen. Sollten Sie diese zusätzliche Wartung nicht ausführen wollen, dürfen Sie Ihr Fahrzeug unter diesen Bedingungen nicht betreiben.

ACHTUNG: Mangelnde Aufmerksamkeit bei dem Gebrauch dieses Produktes in Verbindung mit den folgenden Sicherheitshinweisen könnte zu Fehlfunktionen und zum Verlust der Garantie führen.

ALLGEMEINE SICHERHEITSHINWEISE

- Bitte lesen Sie sich die Wartungsanleitung nach Fahrten in nasser Umgebung sorgfältig durch und stellen sicher, dass Sie alle Werkzeuge für eine Wartung des Fahrzeuges haben.
- Sie können nicht alle Akkutypen für Fahrten in nasser Umgebung nutzen. Fragen Sie dazu vor dem Einsatz den Hersteller des Akkus. Achtsamkeit und Vorsicht ist notwendig wenn Sie LiPo Akkus in feuchten Umgebungen einsetzen.
- Die meisten Sender sind nicht wasserfest. Sehen Sie bitte dazu vor Inbetriebnahme in der Bedienungsanleitung Ihres Senders nach oder kontaktieren Sie den Hersteller.
- Nehmen Sie niemals den Sender bei Blitzen oder Gewitter in Betrieb.
- Betreiben Sie Ihr Fahrzeug nicht an Orten wo es in Kontakt mit Salzwasser oder verschmutzten, belasteten Gewässern kommen kann. Salzwasser ist sehr leitend und stark korrosionsfördernd, sein Sie daher sehr achtsam.
- Schon geringer Wasserkontakt kann den Motor beschädigen wenn er nicht für den Betrieb in Wasser ausgelegt ist. Sollte der Motor nass geworden sein geben Sie etwas Gas bis die meiste Feuchtigkeit vom Motor entfernt ist. Lassen Sie einen nassen Motor auf hoher Geschwindigkeit laufen wird dieses den Motor sehr schnell beschädigen.

- Fahren in nasser Umgebung kann die Lebenszeit des Motors reduzieren, da dieses den Motor stark beansprucht. Verändern Sie die Untersetzung zu einem kleinerem Ritzel oder größeren Zahnrad. Dieses erhöht das Drehmoment (und verlängert die Motorlebensdauer) bei dem Betrieb in Matsch, tieferen Pfützen oder anderen Bedingungen, die die Last des Motors für einen längeren Zeitraum erhöhen.

WARTUNGSANLEITUNG NACH FAHRTEN IN NASSER UMGEBUNG

- Entfernen Sie Wasser in den Reifen durch Gas geben. Nehmen Sie die Karosserie ab, drehen das Fahrzeug auf den Kopf und geben ein paar Mal kurz Vollgas bis das Wasser aus dem Reifen entfernt ist.



ACHTUNG: Halten Sie immer die Hände, Finger, Werkzeuge und andere lose oder hängende Objekte weg von drehenden Teilen wenn Sie diese Technik des Trocknens praktizieren.

- Entfernen Sie die Akkupacks und trocknen die Kontakte. Sollten Sie einen Kompressor oder Druckluft zur Verfügung haben, blasen Sie damit das Wasser aus dem Motorgehäuse.
- Nehmen Sie die Reifen und Felgen vom Fahrzeug ab und spülen Sie vorsichtig mit einem Gartenschlauch ab. Vermeiden Sie die Lager oder den Antrieb direkt zu spülen.

HINWEIS: Verwenden Sie keinen Hochdruckreiniger um das Fahrzeug zu reinigen.

- Reinigen Sie das Fahrzeug mit Druckluft aus einem Kompressor oder einer Druckluftflasche und entfernen so das Wasser aus den Spalten und Ecken.
- Sprühen Sie alle Lager, Befestigungen und andere Metallteile mit einem wasserverdrängendem Leichtöl oder Schmiermittel ein. Sprühen Sie nicht den Motor ein.
- Lassen Sie das Fahrzeug vor dem Einlagern vollständig trocknen. Das Abtropfen von Wasser (und Öl) kann durchaus ein paar Stunden dauern.
- Erhöhen Sie die Wartungsintervalle (Demontage, Inspektion und schmieren) von folgenden Komponenten:
 - Vorder- und Hinterachse, Aufnahme und Lager.
 - Alle Antriebswellen Lager, Gehäuse, Getriebe und Differentiale.
 - Motor: reinigen Sie den Motor mit einem Aerosol Reiniger und ölen Sie dann die Lager mit leichtem Motoröl.

QUICK START

Bitte lesen die gesamte Bedienungsanleitung um den Baja Rey vollständig zu verstehen, einzustellen und Wartungen durchzuführen.

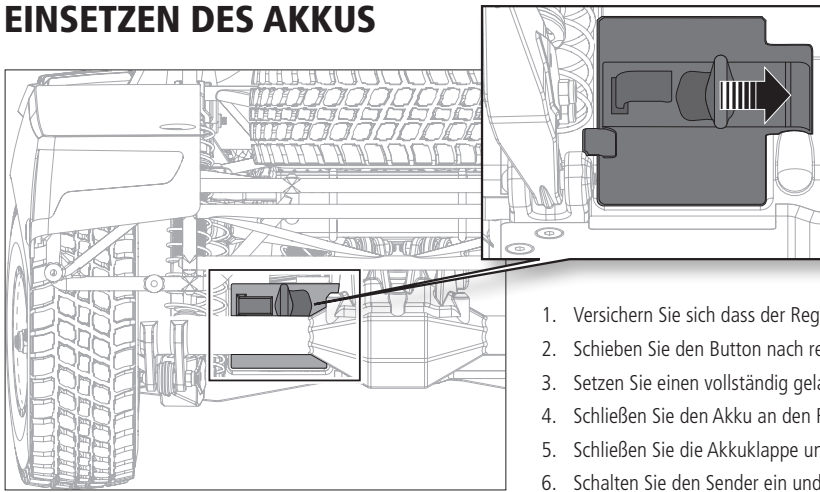
1. Bitte lesen Sie die Sicherheitshinweise in dieser Bedienungsanleitung.
2. Laden Sie den Fahrzeugakku. Lesen Sie die Warnungen zum Akku laden und Anweisungen zum Laden der Akkus.
3. Setzen Sie die AA Batterien in den Sender ein. Verwenden Sie nur Alkaline Batterien oder wiederaufladbare Akkus.
4. Setzen Sie den vollständig geladenen Akku im Fahrzeug ein.
5. Schalten Sie immer erst den Sender und dann das Fahrzeug ein. Warten Sie 5 Sekunden damit sich der Regler initialisieren kann. Beim Ausschalten schalten Sie immer zuerst das Fahrzeug aus und dann den Sender.
6. Überprüfen Sie die Richtung von Lenkung und Gas. Überprüfen Sie ob die Servos in die richtige Richtung arbeiten.
7. Fahren Sie das Fahrzeug.
8. Führen Sie die erforderlichen Wartungsarbeiten durch.

LADEN DES AKKUS

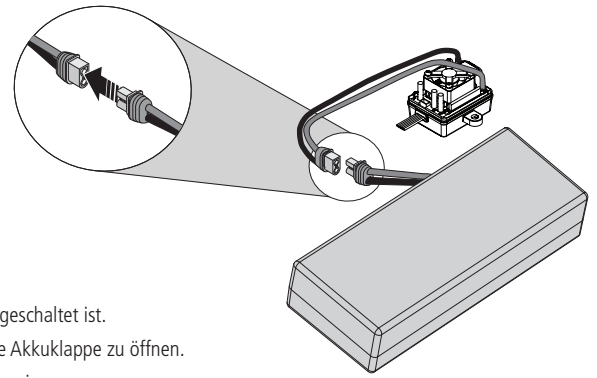
Wählen Sie einen Akku, der mit dem Spektrum Firma SMART 130 A bürstenlosen Geschwindigkeitsregler (SPMXSE1130) funktioniert. Wir empfehlen den Spektrum 5000 mAh 2S 7,4 V 50C SMART LiPo-Hartschalen-Akku mit IC5-Stecker (SPMX50002S50H5). Wählen Sie ein Ladegerät, das für das Laden von 2S Li-Po Akkus vorgesehen ist.

Wir empfehlen das Spektrum SMART Zweifach-Wechselstrom-Ladegerät, 1x100 (SPMXX1080). In den Bedienungsanleitungen für Akku und Ladegerät finden Sie Informationen zur Nutzung, Sicherheit und zum Laden.

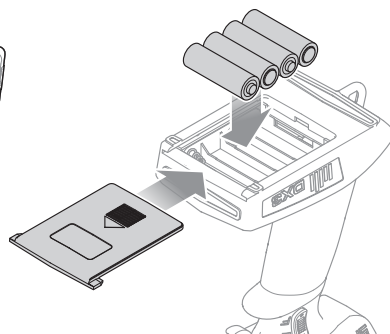
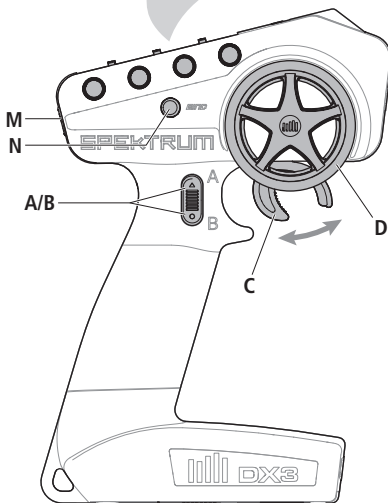
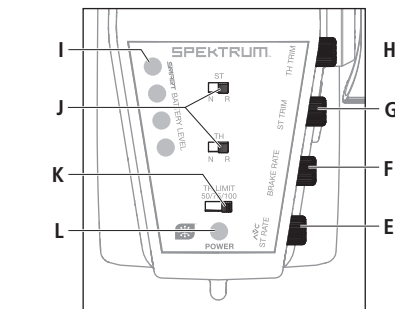
EINSETZEN DES AKKUS



1. Versichern Sie sich dass der Regler ESC ausgeschaltet ist.
2. Schieben Sie den Button nach rechts um die Akkuklappe zu öffnen.
3. Setzen Sie einen vollständig geladenen Akku ein.
4. Schließen Sie den Akku an den Regler an.
5. Schließen Sie die Akkuklappe und schieben den Button nach links um ihn zu sichern.
6. Schalten Sie den Sender ein und dann das Fahrzeug.



SPEKTRUM DX3 FUNKSYSTEM



A/B. Taste Kanal 3

C. Throttle/Brake (Gas/Bremse)

D. Steuerrad

E. Steuerrate - Passt den Endpunkt der Steuerung an

F. Bremsrate - Passt den Endpunkt der Bremsung an.

G. Steuertrimmung - Zur Anpassung des Steuermittelpunkts. Normalerweise wird die Steuertrimmung solange eingestellt, bis das Fahrzeug gerade in der Spur läuft.

H. Gastrimmung - Zur Anpassung des Gasnullpunktes

I. Ladezustandsanzeige SMART-Akku

J. Umkehren der Servolaufrichtung - Um den Kanal für die Gaszufuhr (TH) oder die Steuerung (ST) umzukehren, die Position des entsprechenden Schalters umschalten – „N“ steht für normal, „R“ für Umkehren.

K. Begrenzung Gaszufuhr - Begrenzt die Gaszufuhr auf 50/75/100 % Wählen Sie 50 % oder 75 % für Fahrer mit geringer Erfahrung oder wenn das Fahrzeug in einem kleinen Bereich gefahren wird.

L. Strom-LED

- **Durchgängig rot:** Zeigt die Funkverbindung und die ausreichende Akkuladung an
- **Rot blinkend:** Zeigt an, dass die Akku-Spannung kritisch niedrig ist. Akkus ersetzen

M. Ein-/Ausschalter

N. Bindungsschalter

EINSETZEN DER SENDBATTERIEN

Für den Betrieb sind 4 AA Batterien erforderlich.

1. Nehmen Sie die Batteriekappe vom Sender ab.
2. Setzen Sie die Batterien wie abgebildet ein.
3. Setzen Sie die Batteriekappe wieder auf.

⚠ ACHTUNG: Entfernen Sie niemals Batterien aus dem Sender, während das Modell eingeschaltet ist. Ein Verlust der Kontrolle über das Modell, Schäden oder Verletzungen können auftreten.

⚠ ACHTUNG: Wenn Sie wiederaufladbare Akkus verwenden dürfen Sie nur diese laden. Das Laden von nicht aufladbaren Batterien könnte diese zur Explosion bringen, was Sach- und Personenschäden zur Folge haben könnte.

⚠ ACHTUNG: Es besteht Explosionsrisiko wenn die Akkus durch einen falschen Typ ersetzt werden. Entsorgen Sie verbrauchte Batterien den Vorschriften entsprechend.

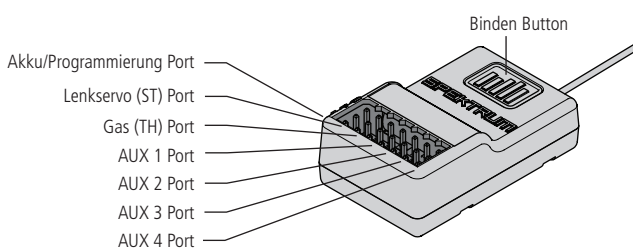
SR6200A AVC TECHNOLOGIEEMPFÄNGER

AUX-KANÄLE

Sie können die Aux Kanäle als zusätzliche Servokanäle betreiben oder zur Stromversorgung eines Transponders oder Beleuchtung.

Wenn der AVC aktiviert ist, nur 4 Kanäle; Lenkung, Gas, AUX3 und AUX4 sind sie betriebsbereit. Die übrigen Aux-Kanäle können verwendet werden, zur Stromversorgung eines persönlichen Transponder oder Lichter.

Ist das AVC System deaktiviert stehen die Aux Kanäle als Servokanäle zur Verfügung. Zur Deaktivierung sehen Sie bitte unter Deaktivieren der Stabilitäts-Assistenzfunktion nach.

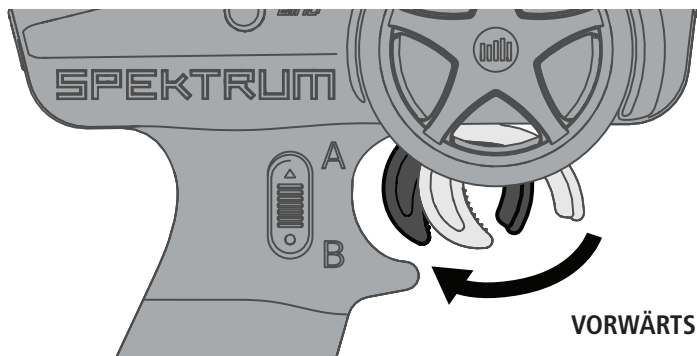


STABILITY ASSIST EMPFÄNGER

AVC – ACTIVE VEHICLE CONTROLLE

Der Spektrum Empfänger ist mit der Active Vehicle Control (AVC) ausgestattet, die ähnlich einer Traktionskontrolle eines großen Fahrzeuges arbeitet. Zusätzlich zu der Traktionskontrolle erhöht die AVC Technik die Stabilität bei hohen Geschwindigkeiten oder bei Fahrten über unebenen Untergrund. Erhöhen Sie den AVC Gainwert erhöht das System die Stabilität und Traktionskontrolle und reduziert damit ähnlich wie bei einem Computersender den Servoweg des Lenkausschlags. Reduzieren Sie den Wert erhöht sich der mögliche Lenkausschlag wieder. Der Empfänger ermöglicht es ebenfalls das AVC System schnell auszuschalten wenn Sie an einem organisiertem Rennen teilnehmen.

WICHTIG: Mit dem Empfänger müssen Sie digitale Servos verwenden. Verwenden Sie keine Analogservos da diese die Leistung reduzieren und überhitzen können.



SICHERHEITSHINWEISE BEIM FAHREN

- Halten Sie stets Blickkontakt zum Fahrzeug.
- Prüfen Sie das Fahrzeug auf lose Radteile.
- Prüfen Sie die Lenkbaugruppe auf lose Teile. Wenn Sie das Fahrzeug im Gelände fahren, können sich Befestigungen mit der Zeit lockern.
- Fahren Sie das Fahrzeug nicht in hohem Gras. Dadurch können das Fahrzeug oder die Elektronik beschädigt werden.
- Halten Sie das Fahrzeug an, wenn Sie bemerken, dass der Antrieb nachlässt. Wenn Sie das Fahrzeug mit schwachem Akku fahren, kann sich der Empfänger ausschalten. Dann können Sie die Kontrolle über das Fahrzeug verlieren. Schäden durch einen tiefentladenen LiPo Akku sind nicht durch die Garantie gedeckt.

⚠ ACHTUNG: Entladen Sie einen Li-Po-Akku nicht unter 3 V pro Zelle. Akkus, die unter die angegebene Mindestspannung tiefentladen werden, können beschädigt werden, was die Leistung beeinträchtigen und möglicherweise beim Laden einen Brand verursachen kann.

- Drücken Sie den Gashebel nicht nach vorn oder hinten, wenn das Fahrzeug feststeckt. Wenn Sie in der Situation Gas geben kann der Motor oder der Regler (ESC) beschädigt werden.
- Lassen Sie nach jeder Fahrt die Elektronik auf Umgebungstemperatur abkühlen, bevor Sie das nächste Akkupack verwenden.

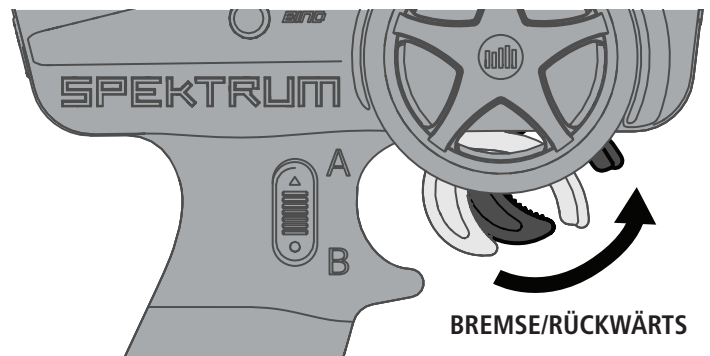
WICHTIG: Halten Sie alle Kabel weg von allen beweglichen Teilen.

BEVOR SIE IHR FAHRZEUG FAHREN

1. Überprüfen Sie die Aufhängung. Alle beweglichen Teile der Aufhängung müssen sich frei bewegen lassen. Jedes schwergängige Teil vermindert die Leistung.
2. Laden Sie den Akkupacks. Laden Sie den Akku stets nach den Vorgaben des Herstellers oder nach den Vorgaben des Ladegerätherstellers.
3. Einstellen der Lenktrimmung am Sender. Folgen Sie den Anweisungen zum Einstellen der Trimm- und Subtrimmfunktion, so dass das Fahrzeug ohne Steuereingabe geradeaus fährt.
4. Führen Sie einen Steuertest durch.

KALIBRIEREN DES EMPFÄNGERS

1. Stellen Sie das Fahrzeug auf einen ebenen Untergrund und stecken Sie den Bindestecker in den BIND Port des Empfängers.
2. Schließen Sie einen vollständig geladenen Akku an den Regler an.
3. Schalten Sie den Regler ein. Die orange LED blinkt, und zeigt damit an, dass sich der Empfänger im Bindemodus befindet.
4. Zentrieren Sie die ST Trim und TH Trim Regler auf dem Sender.
5. Drücken und halten Sie den BIND Button während Sie den Sender einschalten.
6. Lassen Sie den Bindebutton los wenn die orange LED langsam blinkt. Der Sender und der Empfänger sind gebunden wenn die orange LED leuchtet.
7. Ziehen Sie den Gashebel auf Vollgas.
8. Drücken Sie den Gashebel nach vorne auf Vollbremsung und bringen ihn dann wieder in die Mitte.
9. Drehen Sie das Lenkrad voll nach rechts.
10. Drehen Sie das Lenkrad voll nach links und dann wieder zurück in die Mitte. Die orange LED blinkt einmal.
11. Entfernen Sie den Bindestecker und schalten dann den Empfänger aus um die Einstellungen zu speichern.
12. Schalten Sie den Sender aus.



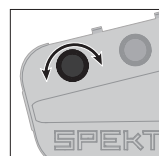
EINSCHALTEN DES FAHRZEUGES

1. Zentrieren Sie die ST TRIM und TH Trim Regler auf dem Sender.
2. Schalten Sie Sender ein.
3. Nehmen Sie die Karosserie vom Fahrzeug.
4. Schließen Sie einen vollständig geladenen Akku an den Regler an.
5. Schalten Sie den Regler ein.

WICHTIG: Das Fahrzeug muß auf einem ebenen Untergrund vollkommen bewegungslos für mindestens 5 Sekunden stehen.

EINSTELLEN DES GAINWERTES

Mit dem Drehregler ST RATE wählen Sie die Gainwert in dem Empfänger. Dieser Wert entspricht dem Stabilitätswert auf dem Empfänger. Wenn Sie diesen Wert erhöhen, erhöht sich die Systemempfindlichkeit nach links und rechts. Sie können die maximale Gainereinstellung während Vollgasfahrten oder bei Drag Racing wenn das Fahrzeug auf einer geraden Linie bleiben sollten. So verringert sich bei erhöhten des Gainwertes der mögliche Lenkausschlag.



Drehen Sie den ST Rate Drehknopf gegen den Uhrzeigersinn um den Gainwert zu reduzieren.

Drehen Sie den ST Rate Drehknopf im Uhrzeigersinn um den Gainwert zu erhöhen.

WICHTIG: Der ST RATE Drehknopf justiert nur den Gainwert wenn der Sender ein DSMR Empfänger ist. Wird der Sender an einen DSM, DSM2 oder SM Marine Empfänger gebunden, regelt der ST RATE Drehknopf den Dual Rate Wert.

DEAKTIVIEREN AVC TECHNOLOGIE

Sollten Sie bei einem organisiertem Rennen teilnehmen könnte es notwendig sein AVC zu deaktivieren:

1. Stecken Sie den Bindestecker in den BIND Port des Empfängers.
2. Stecken Sie einen zweiten Bindestecker in den DISABLE Port des Empfängers.
3. Schließen Sie einen vollständig geladene Akku an den Regler an.
4. Schalten Sie den Regler ein. Die orange LED blinkt und zeigt damit an dass der Regler im Bindemode ist.
5. Zentrieren Sie die ST TRIM und TH TRIM Drehregler auf dem Sender.
6. Drücken und halten Sie den Bindebutton während Sie den Sender einschalten.
7. Lassen Sie den Bindebutton los wenn die Orange LED langsam blinkt. Der Sender und Empfänger sind verbunden wenn die orange LED leuchtet.
8. Ziehen Sie den Gashebel auf Vollgas.
9. Drücken Sie den Gashebel auf voll Bremse und bringen dann den Hebel wieder in die Mitte.
10. Drehen Sie das Lenkrad am Sender voll nach links und dann wieder in die Mitte. Die orange LED blinkte einmal.
11. Drehen Sie das Lenkrad am Sender voll nach rechts und dann wieder in die Mitte. Die orange LED blinkte einmal.
12. Entfernen Sie den Bindestecker, schalten dann den Empfänger aus um die Einstellungen zu speichern. Der Empfänger blinkt dabei um anzuzeigen dass die AVC Funktion deaktiviert ist.
13. Schalten Sie den Sender aus.

WICHTIG: Sie müssen den Empfänger jedes Mal kalibrieren wenn er in den Bindemode gebracht wurde. Um die AVC wieder zu aktivieren lesen Sie bitte untere kalibrieren des Empfängers nach.

LAUFZEIT

Der größte Faktor bei der Fahrzeit ist die Kapazität des Akkupacks. Ein höherer mAh-Wert bedeutet eine längere Fahrzeit.

Der Zustand des Akkupacks ist ebenfalls ein wichtiger Faktor für Fahrzeit und Geschwindigkeit. Die Akkuanschlüsse können sich beim Fahren erhitzen. Akkus verlieren mit der Zeit an Leistung und Kapazität.

Wenn Sie das Fahrzeug wiederholt aus dem Stand auf die Höchstgeschwindigkeit beschleunigen, werden die Akkus und die Elektronik mit der Zeit beschädigt. Plötzliche Beschleunigung verkürzt außerdem die Fahrzeit.

SO VERLÄNGERN SIE DIE LAUFZEIT

- Halten Sie Ihr Fahrzeug sauber und in gutem Wartungszustand.
- Erlauben Sie einen besseren Luftstrom zum Regler (ESC) und zum Motor.
- Wechseln Sie das Getriebe zu einem niedrigeren Übersetzungsverhältnis. Ein niedrigeres Übersetzungsverhältnis senkt die Betriebstemperatur der Elektronik. Verwenden Sie ein kleineres Ritzel oder ein größeres Stirnrad, um das Übersetzungsverhältnis zu senken.
- Verwenden Sie ein Akkupack mit einem höheren mAh-Wert.
- Verwenden Sie zum Laden ein geeignetes Ladegerät. Ihr Fachhändler berät Sie gerne.

SPEKTRUM FIRMA SMART 130 A BÜRSTENLOSER GESCHWINDIGKEITSREGLER (SPMXSE1130)

TECHNISCHE DATEN

Typ	Ohne Sensoren, SMART Throttle kompatibel
Ausgang	130 A/760 A
Funktion	Vorwärts/Bremse – Vorwärts/Bremse Rückwärts
Eingangsspannung	7,4 V – 14,8 V
BEC-Ausgang	6 V/4 A
Abmessungen (LxBxH)	57,5 mm x 46 mm x 38 mm
Gewicht	154 g

LED-STATUS DES GESCHWINDIGKEITSREGLERS

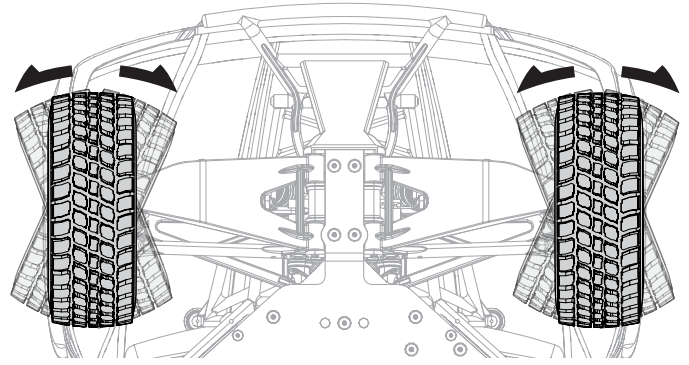
- Wenn es kein Gasknüppel-Signal vom Sender gibt, leuchtet keine der Geschwindigkeitsregler-LEDs.
- Wenn es irgendein Gasknüppel-Signal vom Sender gibt, leuchtet die rote Geschwindigkeitsregler-LED.

AKKUSTISCHE WARNTÖNE

1. **Eingangsspannung:** Der Geschwindigkeitsregler überprüft beim Einschalten die Eingangsspannung. Wird ein Spannungsproblem erkannt, dann wird der Geschwindigkeitsregler durchgängig 2 Töne mit 1 Sekunde Pause ausgeben (xx-xx-xx). Den Geschwindigkeitsregler ausschalten und sicherstellen, dass die Verbindungen gesichert sind und die Akku-Leistung für den sicheren Betrieb nicht zu niedrig ist.
2. **Funkverbindung:** Der Geschwindigkeitsregler überprüft beim Einschalten den Funksignaleingang. Wird ein Problem erkannt, dann wird der Geschwindigkeitsregler durchgängig 1 Ton mit 2 Sekunden Pause ausgeben (x--x--x). Den Geschwindigkeitsregler ausschalten und sicherstellen, dass das Funksystem korrekt arbeitet.

HINWEIS: Den Akku nach jeder Nutzung des Fahrzeugs vom Geschwindigkeitsregler abklemmen. Der Schalter des Geschwindigkeitsreglers kontrolliert nur die Stromversorgung von Empfänger und Servos. Ist der Geschwindigkeitsregler am Akku angeschlossen, zieht er weiterhin Strom, was möglicherweise zur Beschädigung des Akkus durch eine übermäßige Entladung führen kann.

DURCHFÜHREN EINES STEUERTEST



Führen Sie den Funktionstest durch, ohne dass die Räder den Boden berühren. Sollten sich die Räder nach dem Einschalten drehen, justieren Sie die Gastrimmung mit TH TRIM Knopf bis die Räder stoppen. Um die Räder nach vorne drehen zu lassen, ziehen Sie den Gashebel. Um rückwärts zu fahren warten Sie bis die Räder zum Stillstand gekommen sind und drücken dann den Hebel nach vorne. Bei der Vorwärtsfahrt sollte das Fahrzeug ohne Lenkeingabe geradeaus fahren. Falls nicht justieren Sie die Lenktrimmung mit dem ST TRIM Knopf bis das Fahrzeug geradeaus fährt.

ÄNDERN DER SERVOWEGEINSTELLUNGEN

1. Halten Sie den Gashebel in der Vollbremsstellung, drehen das Lenkrad voll nach rechts während Sie den Sender einschalten. Die LED blinkt schnell und zeigt damit an, dass der Programmiermode aktiv ist.
2. Gas Endpunkt: Halten Sie den Gashebel auf Vollgas. Drehen Sie den TH TRIM Knopf um den Vollgasendpunkt einzustellen.
3. Brems Endpunkt: Halten Sie den Gashebel auf Vollbremsung. Drehen Sie den TH TRIM Knopf um den Vollbremspunkt einzustellen. Bringen Sie den Gashebel wieder in die Mittenposition.
4. Endpunkt Lenkung Links: Halten Sie das Lenkrad in der voll links Position. Drehen Sie den ST TRIM Knopf um die Größe des linken Lenkausschlages zu justieren.
5. Endpunkt Lenkung rechts: Halten Sie das Lenkrad in der voll rechts Position. Drehen Sie den ST TRIM Knopf um die Größe des rechten Lenkausschlages zu justieren. Drehen Sie dann den Lenkausschlag wieder in die Mittelposition.
6. Schalten Sie den Sender aus um die Servowegeinstellungen zu speichern. Der Mindest-Servoweg beträgt 75%, der Maximalweg beträgt 150%.

WICHTIG: Wurde auf der DX2E der Servoweg geändert, müssen Sie den Empfänger neu binden und kalibrieren.

VORGEHENSWEISE ZUR KALIBRIERUNG DES GESCHWINDIGKEITSREGLERS

Vor der Kalibrierung des Geschwindigkeitsreglers das Verfahren zum Binden von Sender/ Empfänger abschließen.

1. Den Gaskanal des Senders auf 100 % Verfahrensweg setzen und die Gastrimmung zentrieren.
2. Einen Akku an das Akku-Kabel des Geschwindigkeitsreglers anschließen.
3. Schalten Sie den Sender ein.
4. Die SET-Taste gedrückt halten, während der Geschwindigkeitsregler eingeschaltet wird. Die SET-Taste freigeben, wenn die rote LED zu Blinken anfängt und anzeigt, dass sich der Geschwindigkeitsregler im Kalibrierungsmodus befindet. Der Geschwindigkeitsregler wird in den Programmiermodus wechseln, wenn die Taste für mehr als drei Sekunden gedrückt wird.

TIPP: Die rote LED sollte blinken, wenn der Geschwindigkeitsregler in den Kalibrierungsmodus wechselt. Blinkt die grüne LED, dann ist der Geschwindigkeitsregler in den Programmiermodus gewechselt. Den Geschwindigkeitsregler ausschalten und Schritt 4 wiederholen, indem die SET-Taste freigegeben wird, wenn die rote LED zu Blinken beginnt.

5. Die SET-Taste des Geschwindigkeitsreglers wird gedrückt und freigegeben, während sich der Gasauslöser des Senders in der neutralen Position befindet. Die rote LED stoppt das Blinken, die grüne LED blinkt einmal und der Motor gibt einen Ton ab, wodurch angezeigt wird, dass die neutrale Position angenommen wurde.
6. Die SET-Taste des Geschwindigkeitsreglers wird gedrückt und freigegeben, während der Gasauslöser auf der Position Vollgas gedrückt und gehalten wird. Die grüne LED wird zweimal blinken und der Motor wird zwei Töne ausgeben, wodurch angezeigt wird, dass die Vollgas-Position angenommen wurde.
7. Die SET-Taste wird gedrückt und freigegeben, während der Gasauslöser in der Position Vollbremsung gedrückt und gehalten wird. Die grüne LED blinkt dreimal und der Motor gibt drei Töne ab, wodurch angezeigt wird, dass die Position für Vollbremsung angenommen wurde.

Der Motor wird nach der Kalibrierung normal funktionieren.

FUNKTIONEN UND MODI DES GESCHWINDIGKEITSREGLERS

Der Geschwindigkeitsregler verfügt über Programmieroptionen, so dass Sie die Funktionsweise Ihres Fahrzeugs anpassen können. Um den Geschwindigkeitsregler für die Fahrsituation anzupassen, halten Sie sich an die mitgelieferte Programmierstabelle.

PROGRAMMIERTABELLE

PROGRAMMIERELEMENTE	PROGRAMMIERWERT								
	1	2	3	4	5	6	7	8	9
1. Fahrmodus	Vorwärts mit Bremse	Vorwärts/Rückwärts mit Bremse	Vorwärts/Rückwärts						
2. Bremskraft Motorbremse	0 %	5 %	10 %	20 %	40 %	60 %	80 %	100 %	
3. Niedrigtrennschaltung	Schutz aufgehoben	2,6 V/Zelle	2,8 V/Zelle	3,0 V/Zelle	3,2 V/Zelle	3,4 V/Zelle			
4. Start Modus	Stufe 1	Stufe 2	Stufe 3	Stufe 4	Stufe 5	Stufe 6	Stufe 7	Stufe 8	Stufe 9
5. Maximale Bremskraft	25 %	50 %	75 %	100 %	Deaktivieren				
6. Maximaler Umkehrschub	25 %	50 %	75 %	100 %					
7. Initiale Bremskraft	Schleppbremse	0 %	20 %	40 %					
8. Neutraler Bereich	6 % (Eng)	9 % (Normal)	12 % (Weit)						
9. Timing	0,00°	3,75°	7,50°	11,25°	15,00°	18,75°	22,50°	26,25°	
10. Motorumdrehung	Gegen den Uhrzeigersinn	Im Uhrzeigersinn							
11. Li-Po-Zellen	Automatische Berechnung	2 Zellen	3 Zellen	4 Zellen	5 Zellen	6 Zellen			

VORGEHENSWEISE ZUM PROGRAMMIEREN DES GESCHWINDIGKEITSREGLERS

Die Programmierung erfolgt mit Hilfe des SET-Knopfes auf dem EIN/AUS-Schalter*.

1. Einen voll aufgeladenen Akku mit dem Geschwindigkeitsregler verbinden.
2. Schalten Sie den Sender ein.
3. Den Geschwindigkeitsregler einschalten.
4. Die SET-Taste gedrückt halten, bis die grüne LED blinkt. Die SET-Taste freigegeben, um in den Programmiermodus zu wechseln.

TIPP: Zum Zurücksetzen aller Programmierparameter auf die Standardwerte, die Set-Taste für fünf Sekunden gedrückt halten

5. Die Set-Taste bei Bedarf drücken und freigegeben, um durch die Programmierparameter zu gehen. Die Häufigkeit, mit der die grüne LED blinkt, entspricht der Nummer, die dem Programmierparameter in der Programmierstabelle gegeben wurde.
6. Die Set-Taste auf dem gewünschten Programmierparameter gedrückt halten, bis die rote LED blinkt, um das Element auszuwählen.
7. Die Set-Taste drücken und freigegeben, um durch die für das Programmierparameter verfügbaren Werte basierend auf der Häufigkeit, mit der die LED blinkt, zu gehen. Siehe Programmierstabelle.
8. Einstellung durch Drücken und Halten der Set-Taste für 3 Sekunden speichern.
9. Den Geschwindigkeitsregler ausschalten, um den Programmiermodus zu verlassen oder die anderen Programmierparameter zu ändern.

*Andere Programmierungsoptionen umfassen Spektrum SMART Firma Geschwindigkeitsregler Programmierbox (SPMXCA200) und SmartLink USB-Anwendung für das Aktualisieren und Programmieren. Siehe unter SpektrumRC.com zu weiteren Einzelheiten über die Spektrum SMART Firma Geschwindigkeitsregler.

BESCHREIBUNGEN

1. Betriebsmode

- *Vorwärts mit Bremse*
Geeignet für den Wettbewerbsbetrieb. Dieser Mode erlaubt nur Vorwärtsfahrt und Bremse.
- *Vorwärts/Rückwärts mit Bremse*
Dieser Mode ist ein echter Universal Mode der Vorwärtsfahrt, Rückwärtsfahrt und Bremskontrolle ermöglicht. Um Rückwärts während der Vorwärtsfahrt zu aktivieren bremsen Sie bis das Fahrzeug steht, lassen die Bremse los und geben erneut Bremse. Wird während der Bremse oder Rückwärtsfahrt Vorwärts gegeben wird das Fahrzeug

2. Bremskraft Zugsbremse

Diese Einstellung regelt den Anteil der Bremskraft der automatisch gegeben wird wenn der Gashebel zurück auf neutral gestellt wird. Dieses simuliert die Motorbremseffekt eine echten Fahrzeuges.

3. Schwellenwert Niederspannungsabschaltung

Diese Funktion hilft die Tiefentladung des Akkus zu verhindern. Der Regler überwacht dabei kontinuierlich die Akkuspannung. Sollte die Spannung länger als zwei Sekunden unter den Schwellenwert fallen wird die Leistung abgeschaltet und die rote LED blinkt zweimal wiederholt.

Die Kalkulation des Schwellenwertes der Abschaltspannung basiert auf den einzelnen LiPo Zellen Spannungen. Ist bei NiMH Akku Packs die Spannung höher als 9,0 Volt wird er wie ein 3S LiPo Akku gewertet. Ist diese niedriger als 9,0 Volt wird er wie ein 2S LiPo Akkupack bewertet Beispiel: Bei einem 8,0V NiMH Akku Pack mit einer Abschaltspannung von 2,6V wird der Akku wie ein 2S LiPo gesehen und die Abschaltspannung beträgt 5,2V (2,6x2 = 5,2) Bei der Verwendung von der optionalen digitalen Programmierbox kann die Abschaltspannung individuell eingestellt werden. Im Gegensatz zu den vorgegebenden Werten beziehen sich die programmierbaren Werte auf die Gesamtspannung und nicht die einzelne Zellenspannung.

4. Start Mode (Punch)

Setzt den initialen Gaspunkt bei der Beschleunigung. Level 1 steht für eine sehr sanfte Beschleunigung, Level 9 gibt eine sehr starke Beschleunigung. Wenn Sie die Level 7, 8 oder 9 verwenden müssen Sie Hochleistungsakkus einsetzen. Mit nicht für diese Leistung ausgelegten Akkus könnte der Akku überlastet werden, was sich in schlechter Leistung oder anderen unerwarteten Ergebnissen zeigen könnte.

5. Maximale Bremskraft

Regelt die maximale Bremskraft. Ein höherer Wert liefert stärkere Bremsleistung und kann die Räder zum blockieren bringen was möglicherweise zu Kontrollverlust führt.

6. Maximale Rückwärtsleistung

Mit diesem Parameter können Sie die maximale Rückwärtsleistung einstellen.

7. Initiale Bremskraft (Mindest Bremskraft)

Stellt den mindest Bremsanteil bei Bedienung der Bremse ein. Die Werkseinstellung ist gleich mit der Zugsbremse (Drag Brake) Eine größere Einstellung kann die die Räder zum blockieren bringen.

8. Neutral Bereich

Stellt die Sensitivität um den Neutralpunkt des Steuerknüppels ein. Ein höherer Wert hat zur Folge dass der Knüppel mehr bewegt werden muß damit das Auto vorwärts/rückwärts fährt oder bremsst.

9. Timing

Stellt das korrekte Motortiming ein. Mehr Timing bringt mehr Leistung kann aber aber weniger Effizienz und Schaden am Motor und/oder Regler durch Überhitzung und Überlast bedeuten.

HINWEIS: Stellen Sie immer sicher dass das Motor Timing korrekt eingestellt ist. Ein fehlerhaftes Timing kann den Motor und/oder Regler beschädigen. Bitte sehen Sie in der Bedienungsanleitung für die richtige Timereinstellung nach.

10. Motorentype

11. Drehrichtung Motor

Mit dieser Funktion können Sie die Drehrichtung des Motors ändern ohne dass Kabel getauscht werden müssen.

12. LiPo Zellen

Mit dieser Funktion können die angeschlossenen LiPo Zellen automatisch erkannt werden oder manuell eingegeben werden.

SPEKTRUM FIRMA 3800KV BRUSHLESS MOTOR

SICHERHEITSHINWEISE

- Fassen Sie niemals bewegte Teile an.
- Demontieren Sie nie das Fahrzeug oder Teile mit eingeletem Akku.
- Lassen Sie stets Teile abkühlen bevor Sie diese anfassen.

ÜBERSETZUNG

Die Übersetzung des Fahrzeuges bietet eine ideale Kombination zwischen Geschwindigkeit, Kraft und Effizienz. Sollte Sie sich entscheiden ihr Fahrzeug mit optionalen Akkus oder Motoren auszurüsten könnte es notwendig sein, dass Sie das Ritzel oder Zahnrad wechseln müssen.

Der Einbau eines kleineren Ritzels mit weniger Zähnen oder einem größerem Zahnrad bietet mehr Drehmoment, reduziert aber die Höchstgeschwindigkeit. Montieren Sie ein größeres Ritzel und ein kleineres Zahnrad verhält es sich umgekehrt, das Drehmoment verringert sich und die Höchstgeschwindigkeit nimmt zu. Bitte achten Sie bei dem Testen verschiedener Konfigurationen auf die Temperatur des Motors und Reglers, um sicher zu stellen, dass sie sich in den zulässigen Temperaturbereichen der Komponenten bewegen. Der Motor und Regler dürfen nicht so heiß werden, dass sie ihn nicht mehr berühren können. Sollten die Temperatur zu hoch sein müssen sie eine andere Kombination mit kleinerem Ritzel oder größeren Zahnrad wählen.

PROBLEMLÖSUNG

PROBLEM	MÖGLICHE URSACHE	LÖSUNG
Fahrzeug funktioniert nicht	Akku nicht geladen oder eingesteckt	Akku laden/an Regler stecken
	Reglerschalter nicht auf ON (EIN) gestellt	Schalten Sie den Regler ein (ON)
	Sender nicht eingeschaltet (ON) oder Batterien leer	Einschalten (ON)/Batterien ersetzen
Motor läuft, aber Räder drehen nicht	Ritzel hat keinen Kontakt zum Zahnrad	Stellen Sie das Zahnflankenspiel ein
	Ritzel dreht auf Motorwelle	Ziehen Sie das Ritzel auf der Motorwelle an
	Zahnräder abgenutzt	Ersetzen Sie das Ritzel
	Antriebsstift/Mitnehmer gebrochen	Überprüfen und ersetzen Sie den Mitnehmer
Lenkung arbeitet nicht	Servostecker nicht richtig im Empfänger angeschlossen	Stellen Sie sicher dass der Servostecker richtig herum im richtigen Kanal angeschlossen wurde
	Servogetriebe oder Motor defekt	Ersetzen oder reparieren Sie das Servo
Lenkt nicht in eine Richtung	Servogetriebe beschädigt	Ersetzen oder reparieren Sie das Servo
Motor dreht nicht	Motoranschluß/Lötstelle ist beschädigt	Löten Sie das Kabel wieder an
	Motorkabel ist gebrochen	Reparieren oder ersetzen Sie wie benötigt
	Regler ist beschädigt	Kontaktieren Sie den technischen Service von Horizon Hobby
Regler wird heiß	Motorübersetzung falsch gewählt	Verwenden Sie kleinere Ritzel oder ein größeres Zahnrad
	Antrieb blockiert	Überprüfen Sie den Antrieb auf Blockieren
Geringe Laufzeit oder schlechte Beschleunigung	Akkupack nicht vollständig geladen	Laden Sie den Akku
	Ladegerät lädt nicht vollständig	Verwenden Sie anderes Ladegerät
	Antrieb behindert/blockiert	Überprüfen Sie Räder oder Antrieb auf Behinderung/Blockierung
Schlechte Reichweite oder Aussetzer	Senderbatterien leer	Überprüfen und ersetzen
	Fahrzeugakku leer	Laden Sie den Akku
	Lose Kabel oder Anschlüsse	Überprüfen Sie alle Anschlüsse und Stecker

GARANTIE UND SERVICE INFORMATIONEN

Warnung

Ein ferngesteuertes Modell ist kein Spielzeug. Es kann, wenn es falsch eingesetzt wird, zu erheblichen Verletzungen bei Lebewesen und Beschädigungen an Sachgütern führen. Betreiben Sie Ihr RC-Modell nur auf freien Plätzen und beachten Sie alle Hinweise der Bedienungsanleitung des Modells wie auch der Fernsteuerung.

Garantiezeitraum

Exklusive Garantie Horizon Hobby LLC (Horizon) garantiert, dass das gekaufte Produkt frei von Material- und Montagefehlern ist. Der Garantiezeitraum entspricht den gesetzlichen Bestimmungen des Landes, in dem das Produkt erworben wurde. In Deutschland beträgt der Garantiezeitraum 6 Monate und der Gewährleistungszeitraum 18 Monate nach dem Garantiezeitraum.

Einschränkungen der Garantie

(a) Die Garantie wird nur dem Erstkäufer (Käufer) gewährt und kann nicht übertragen werden. Der Anspruch des Käufers besteht in der Reparatur oder dem Tausch im Rahmen dieser Garantie. Die Garantie erstreckt sich ausschließlich auf Produkte, die bei einem autorisierten Horizon Händler erworben wurden. Verkäufe an Dritte werden von dieser Garantie nicht gedeckt. Garantieansprüche werden nur angenommen, wenn ein gültiger Kaufnachweis erbracht wird. Horizon behält sich das Recht vor, diese Garantiebestimmungen ohne Ankündigung zu ändern oder modifizieren und widerruft dann bestehende Garantiebestimmungen.

(b) Horizon übernimmt keine Garantie für die Verkaufbarkeit des Produktes, die Fähigkeiten und die Fitness des Verbrauchers für einen bestimmten Einsatzzweck des Produktes. Der Käufer allein ist dafür verantwortlich, zu prüfen, ob das Produkt seinen Fähigkeiten und dem vorgesehenen Einsatzzweck entspricht.

(c) Ansprüche des Käufers → Es liegt ausschließlich im Ermessen von Horizon, ob das Produkt, bei dem ein Garantiefall festgestellt wurde, repariert oder ausgetauscht wird. Dies sind die exklusiven Ansprüche des Käufers, wenn ein Defekt festgestellt wird.

Horizon behält sich vor, alle eingesetzten Komponenten zu prüfen, die in den Garantiefall einbezogen werden können. Die Entscheidung zur Reparatur oder zum Austausch liegt nur bei Horizon. Die Garantie schließt kosmetische Defekte oder Defekte, hervorgerufen durch höhere Gewalt, falsche Behandlung des Produktes, falscher Einsatz des Produktes, kommerziellen Einsatz oder Modifikationen irgendwelcher Art aus.

Die Garantie schließt Schäden, die durch falschen Einbau, falsche Handhabung, Unfälle, Betrieb, Service oder Reparaturversuche, die nicht von Horizon ausgeführt wurden aus.

Ausgeschlossen sind auch Fälle die bedingt durch (vii) eine Nutzung sind, die gegen geltendes Recht, Gesetze oder Regularien verstoßen haben. Rücksendungen durch den Käufer direkt an Horizon oder eine seiner Landesvertretung bedürfen der Schriftform.

Schadensbeschränkung

Horizon ist nicht für direkte oder indirekte Folgeschäden, Einkommensausfälle oder kommerzielle Verluste, die in irgendeinem Zusammenhang mit dem Produkt stehen verantwortlich, unabhängig ob ein Anspruch im Zusammenhang mit einem Vertrag, der Garantie oder der Gewährleistung erhoben werden. Horizon wird darüber hinaus keine Ansprüche aus einem Garantiefall akzeptieren, die über den individuellen Wert des Produktes hinaus gehen. Horizon hat keinen Einfluss auf den Einbau, die Verwendung oder die Wartung des Produktes oder etwaiger Produktkombinationen, die vom Käufer gewählt werden. Horizon übernimmt keine Garantie und akzeptiert keine Ansprüche für in der Folge auftretende Verletzungen oder Beschädigungen. Mit der Verwendung und dem Einbau des Produktes akzeptiert der Käufer alle aufgeführten Garantiebestimmungen ohne Einschränkungen und Vorbehalte.

Wenn Sie als Käufer nicht bereit sind, diese Bestimmungen im Zusammenhang mit der Benutzung des Produktes zu akzeptieren, werden Sie gebeten, das Produkt in unbenutztem Zustand in der Originalverpackung vollständig bei dem Verkäufer zurückzugeben.

Sicherheitshinweise

Dieses ist ein hochwertiges Hobby Produkt und kein Spielzeug. Es muss mit Vorsicht und Umsicht eingesetzt werden und erfordert einige mechanische wie auch mentale Fähigkeiten. Ein Versagen, das Produkt sicher und umsichtig zu betreiben kann zu Verletzungen von Lebewesen und Sachbeschädigungen erheblichen Ausmaßes führen. Dieses Produkt ist nicht für den Gebrauch durch Kinder ohne die Aufsicht eines Erziehungsberechtigten vorgesehen. Die Anleitung enthält Sicherheitshinweise und Vorschriften sowie Hinweise für die Wartung und den Betrieb des Produktes. Es ist unabdingbar, diese Hinweise vor der ersten Inbetriebnahme zu lesen und zu verstehen. Nur so kann der falsche Umgang verhindert und Unfälle mit Verletzungen und Beschädigungen vermieden werden.

Fragen, Hilfe und Reparaturen

Ihr lokaler Fachhändler und die Verkaufsstelle können eine Garantiebeurteilung ohne Rücksprache mit Horizon nicht durchführen. Dies gilt auch für Garantie-Reparaturen. Deshalb kontaktieren Sie in einem solchen Fall den Händler, der sich mit Horizon kurz schließen wird, um eine sachgerechte Entscheidung zu fällen, die Ihnen schnellst möglich hilft.

Wartung und Reparatur

Muss Ihr Produkt gewartet oder repariert werden, wenden Sie sich entweder an Ihren Fachhändler oder direkt an Horizon.

Rücksendungen / Reparaturen werden nur mit einer von Horizon vergebenen RMA Nummer bearbeitet. Diese Nummer erhalten Sie oder ihr Fachhändler vom technischen Service. Mehr Informationen dazu erhalten Sie im Serviceportal unter www.horizonhobby.de oder telefonisch bei dem technischen Service von Horizon.

Packen Sie das Produkt sorgfältig ein. Beachten Sie, dass der Originalkarton in der Regel nicht ausreicht, um beim Versand nicht beschädigt zu werden. Verwenden Sie einen Paketdienstleister mit einer Tracking Funktion und Versicherung, da Horizon bis zur Annahme keine Verantwortung für den Versand des Produktes übernimmt. Bitte legen Sie dem Produkt einen Kaufbeleg bei, sowie eine ausführliche Fehlerbeschreibung und eine Liste aller eingesendeten Einzelkomponenten. Weiterhin benötigen wir die vollständige Adresse, eine Telefonnummer für Rückfragen, sowie eine Email Adresse.

Garantie und Reparaturen

Garantieanfragen werden nur bearbeitet, wenn ein Originalkaufbeleg von einem autorisierten Fachhändler beiliegt, aus dem der Käufer und das Kaufdatum hervorgeht. Sollte sich ein Garantiefall bestätigen wird das Produkt repariert oder ersetzt. Diese Entscheidung obliegt einzig Horizon Hobby.

Kostenpflichtige Reparaturen

Liegt eine kostenpflichtige Reparatur vor, erstellen wir einen Kostenvorschlag, den wir Ihrem Händler übermitteln. Die Reparatur wird erst vorgenommen, wenn wir die Freigabe des Händlers erhalten. Der Preis für die Reparatur ist bei Ihrem Händler zu entrichten. Bei kostenpflichtigen Reparaturen werden mindestens 30 Minuten Werkstattzeit und die Rückversandkosten in Rechnung gestellt. Sollten wir nach 90 Tagen keine Einverständniserklärung zur Reparatur vorliegen haben, behalten wir uns vor, das Produkt zu vernichten oder anderweitig zu verwerten.



ACHTUNG: Kostenpflichtige Reparaturen nehmen wir nur für Elektronik und Motoren vor. Mechanische Reparaturen, besonders bei Hubschraubern und RC-Cars sind extrem aufwendig und müssen deshalb vom Käufer selbst –vorgenommen werden.

10/15

Garantie und Service Kontaktinformationen

Land des Kauf	Horizon Hobby	Telefon / E-mail Adresse	Adresse
EU	Horizon Technischer Service Sales: Horizon Hobby GmbH	service@horizonhobby.eu +49 (0) 4121 2655 100	Hanskampring 9 D 22885 Barsbüttel, Germany

RECHTLICHE INFORMATIONEN FÜR DIE EUROPÄISCHE UNION

CE EU Konformitätserklärung:
LOSI LASERNUT ULTRA 4 ROCK RACER, RTR: 1/10 4WD (LOS03028)
 Hiermit erklärt Horizon Hobby, LLC, dass das Gerät den folgenden Richtlinien entspricht: EU-Richtlinie über Funkanlagen 2014/53/EU, RoHS 2-Richtlinie 2011/65 / EU, RoHS 3-Richtlinie - Änderung 2011/65 / EU-Anhang II 2015/863.

HINWEIS: Dieses Produkt enthält Batterien, die unter die europäische Richtlinie 2006/66 / EG fallen und nicht mit dem Hausmüll entsorgt werden können. Bitte beachten Sie die örtlichen Vorschriften.

Der vollständige Text der EU-Konformitätserklärung ist unter folgender Internetadresse abrufbar: <https://www.horizonhobby.com/content/support-render-compliance>.

Sender:

Fréquence: 2402.0–2478.0MHz
 Max EIRP: 17.5 dBm

Empfänger:

Fréquence: 2402-2478MHz
 Max EIRP: 20dBm

Offizieller EU-Hersteller:

Horizon Hobby, LLC
 2904 Research Road
 Champaign, IL 61822 USA

Offizieller EU-Importeur:

Horizon Hobby, GmbH
 Hanskampring 9
 22885 Barsbüttel Germany

WEEE-HINWEIS:



Dieses Gerät ist gemäß der Europäischen Richtlinie 2012/19/EU über Elektro- und Elektronik-Altgeräte (WEEE) gekennzeichnet. Dieses Symbol weist darauf hin, dass dieses Produkt kein normaler Haushaltsabfall ist, sondern in einer entsprechenden Sammelstelle für Elektro- und Elektronik-Altgeräte entsorgt werden muss.

REMARQUE

La totalité des instructions, garanties et autres documents est sujette à modification à la seule discrétion d'Horizon Hobby, LLC. Pour obtenir la documentation à jour, rendez-vous sur le site horizonhobby.com et cliquez sur l'onglet de support de ce produit.

SIGNIFICATION DE CERTAINS TERMES SPÉCIFIQUES

Les termes suivants sont utilisés dans l'ensemble du manuel pour indiquer différents niveaux de danger lors de l'utilisation de ce produit :

AVERTISSEMENT : Procédures qui, si elles ne sont pas suivies correctement, peuvent entraîner des dégâts matériels et des blessures graves OU engendrer une probabilité élevée de blessure superficielle.

ATTENTION : Procédures qui, si elles ne sont pas suivies correctement, peuvent entraîner des dégâts matériels ET des blessures graves.

REMARQUE : Procédures qui, si elles ne sont pas suivies correctement, peuvent entraîner des dégâts matériels ET éventuellement un faible risque de blessures.

AVERTISSEMENT : Lisez la TOTALITÉ du manuel d'utilisation afin de vous familiariser avec les caractéristiques du produit avant de le faire fonctionner. Une utilisation incorrecte du produit peut entraîner sa détérioration, ainsi que des risques de dégâts matériels, voire de blessures graves.

Ceci est un produit de loisirs sophistiqué. Il doit être manipulé avec prudence et bon sens et requiert des aptitudes de base en mécanique. Toute utilisation irresponsable de ce produit ne respectant pas les principes de sécurité peut provoquer des blessures, entraîner des dégâts matériels et endommager le produit. Ce produit n'est pas destiné à être utilisé par des enfants sans la surveillance directe d'un adulte. N'essayez pas de démonter le produit, de l'utiliser avec des composants incompatibles ou d'en améliorer les performances sans l'accord d'Horizon Hobby, LLC. Ce manuel comporte des instructions relatives à la sécurité, au fonctionnement et à l'entretien. Il est capital de lire et de respecter la totalité des instructions et avertissements du manuel avant l'assemblage, le réglage et l'utilisation, ceci afin de manipuler correctement l'appareil et d'éviter tout dégât matériel ou toute blessure grave.

AVERTISSEMENT CONTRE LES PRODUITS CONTREFAITS Toujours acheter chez un revendeur officiel Horizon hobby pour être sûr d'avoir des produits authentiques. Horizon Hobby décline toute garantie et responsabilité concernant les produits de contrefaçon ou les produits se disant compatibles DSM ou Spektrum.

14 ans et plus. Ceci n'est pas un jouet.

PRÉCAUTIONS ET AVERTISSEMENTS LIÉS À LA SÉCURITÉ

En tant qu'utilisateur de ce produit, il est de votre seule responsabilité de le faire fonctionner d'une manière qui ne mette en danger ni votre personne, ni de tiers et qui ne provoque pas de dégâts au produit lui-même ou à la propriété d'autrui.

Ce modèle est contrôlé par un signal radio, qui peut être soumis à des interférences provenant de nombreuses sources hors de votre contrôle. Ces interférences peuvent provoquer une perte momentanée de contrôle. Il est donc conseillé de garder une bonne distance de sécurité tout autour de votre modèle, ce qui aidera à éviter les collisions ou les blessures.

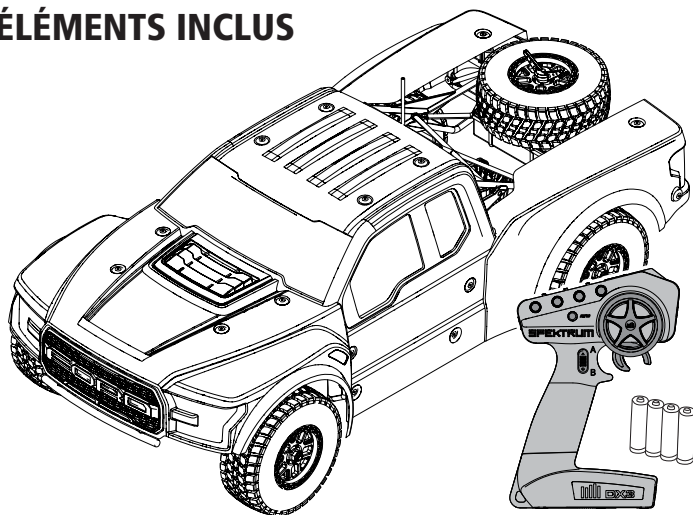
- Ne faites jamais fonctionner votre modèle lorsque les piles de l'émetteur sont faibles.
- Faites toujours fonctionner votre modèle dans une zone dégagée, à l'écart des voitures, de la circulation ou de personnes.
- Ne faites jamais et pour quelque raison que ce soit fonctionner votre modèle dans la rue ou dans des zones habitées.
- Respectez scrupuleusement les instructions et avertissements à cet effet ainsi que pour tous les équipements optionnels/complémentaires (chargeurs, packs de batteries rechargeables, etc.) que vous utilisez.

- Tenez tous les produits chimiques, les petites pièces et les composants électroniques hors de portée des enfants.
- Ne léchez ni ne mettez jamais en bouche quelque partie de votre modèle que ce soit, afin d'éviter tout risque de blessures graves, voire danger de mort.
- Faites bien attention lors de l'utilisation d'outils et lors de l'utilisation d'instruments coupants.
- Faites bien attention lors du montage, certaines pièces peuvent avoir des bords coupants.
- Après avoir utilisé votre modèle, NE touchez PAS à certaines de ces pièces telles que le moteur, le contrôleur électronique de vitesse et la batterie, car elles peuvent encore se trouver à des températures élevées. Vous risquez de vous brûler gravement en cas de contact avec elles.
- Ne mettez ni vos doigts ni aucun autre objet entre des pièces en rotation ou en mouvement, vous risqueriez des dommages ou des blessures graves.
- Allumez toujours votre émetteur avant d'allumer le récepteur du véhicule. Éteignez toujours le récepteur avant d'éteindre votre émetteur.
- Veillez à ce que les roues du modèle ne soient pas en contact avec le sol lorsque vous contrôlez le fonctionnement de votre équipement radio.

TABLE DES MATIÈRES

ÉLÉMENTS INCLUS.....	19
VÉHICULE RÉSISTANT À L'EAU ET ÉQUIPÉ D'UNE ÉLECTRONIQUE ÉTANCHE.....	20
DÉMARRAGE RAPIDE.....	20
CHARGE DE LA BATTERIE.....	20
INSTALLER LA BATTERIE.....	21
ÉMETTEUR SPEKTRUM DX2E ACTIVE.....	21
INSTALLATION DES PILES DE L'ÉMETTEUR.....	21
RÉCEPTEUR SRS6200A AVEC TECHNOLOGIE AVC.....	21
RÉCEPTEUR À STABILISATION ASSISTÉE.....	22
PRÉCAUTIONS DE PILOTAGE.....	22
MISE SOUS TENSION DU VÉHICULE.....	22
AVANT DE FAIRE ROULER VOTRE VÉHICULE.....	22
SENSIBILITÉ DE L'AVC.....	22
DÉSACTIVATION DE L'AVC.....	23
TEST DE DIRECTION.....	23
AUTONOMIE.....	23
MODIFICATION DES VALEURS DES COURSES.....	23
ESC SANS BALAIS 130 A SMART SPEKTRUM FIRMA.....	23
SPEKTRUM™ FIRMA™ 3800KV BRUSHLESS MOTOR.....	25
GUIDE DE DÉPANNAGE.....	25
GARANTIE ET RÉPARATIONS.....	26
COORDONNÉES DE GARANTIE ET RÉPARATIONS.....	26
INFORMATION DE IC.....	26
DÉCLARATION DE CONFORMITÉ DE L'UNION EUROPÉENNE.....	26
LISTE DES PIÈCES DE RECHARGE.....	35-36
PIÈCES OPTIONNELLES.....	36
VUE ÉCLATÉE DES PIÈCES.....	37-41

ÉLÉMENTS INCLUS



ENREGISTREZ VOTRE PRODUIT LOSI EN LIGNE

Enregistrez votre véhicule dès maintenant et soyez le premier à être informé des dernières options disponibles, des améliorations des produits et bien plus encore. Cliquez sur l'onglet support de la page de votre produit sur le site www.loshi.com pour obtenir toutes les informations.

COMPONENTS

- Losi Ford Raptor Baja Rey amortisseurs King RTR avec technologie AVC : Desert Truck à 4 roues motrices d'échelle 1/10
- Émetteur Spektrum DX3 2,4 GHz (SPM2340)
- Récepteur de surface Spektrum™ 6 canaux DSMR® AVC (SPMSR6200A)
- Servo étanche à engrenage en acier 15 KG 23T Spektrum (SPMS614S)
- Variateur ESC 130 A sans capteur sans balais Smart étanche 2-4S Spektrum (SPMXSE1130)
- Moteur sans balais 550 3 800 Kv Spektrum (SPMXSM2900)
- 4 piles AA (pour l'émetteur)

VÉHICULE RÉSISTANT À L'EAU ET ÉQUIPÉ D'UNE ÉLECTRONIQUE ÉTANCHE

Votre nouveau véhicule Horizon Hobby a été conçu et fabriqué en combinant des composants étanches et des composants résistants à l'eau vous permettant d'utiliser ce produit dans plusieurs "Conditions Humides" incluant les flaques d'eau, les ruisseaux, l'herbe humide, la neige et même la pluie.

Bien que le véhicule possède une grande résistance vis-à-vis de l'eau, il n'est pas entièrement étanche et votre véhicule ne doit PAS être utilisé comme un sous-marin. Les différents composants électroniques installés sur le véhicule, comme le contrôleur de vitesse électronique (ESC), le ou les servo(s) et le récepteur sont étanches, cependant la plupart des composants mécaniques résistent aux projections d'eau mais ne doivent pas être immergés.

Les pièces métalliques comme les roulements, les axes de suspension, les vis et les écrous ainsi que les contacts des prises des câbles électriques sont exposés à l'oxydation si vous n'effectuez un entretien supplémentaire après avoir utilisé le produit dans des conditions humides. Pour conserver à long terme les performances de votre véhicule et conserver la garantie, les procédures décrites dans la section « Maintenance en conditions humides » doivent être régulièrement effectuées si vous roulez dans des conditions humides. Si vous ne souhaitez pas effectuer la maintenance supplémentaire requise, vous ne devez pas utiliser le véhicule dans ces conditions.



ATTENTION : Un défaut de soin durant l'utilisation et un non-respect des consignes suivantes peut entraîner un dysfonctionnement du produit et/ou annuler la garantie.

PRÉCAUTIONS GÉNÉRALES

- Lisez avec attention les procédures de maintenance en conditions humides et vérifiez que vous possédez tous les outils nécessaires pour effectuer la maintenance du véhicule.
- Toutes les batteries ne peuvent être utilisées en conditions humides. Consultez la documentation du fabricant de votre batterie avant utilisation. Des précautions doivent être appliquées quand vous utilisez des batteries Li-Po en conditions humides.
- La majorité des émetteurs ne résiste pas aux projections d'eau. Consultez le manuel ou le fabricant de votre émetteur avant utilisation.
- N'utilisez jamais votre émetteur ou votre véhicule sous un orage.
- N'utilisez JAMAIS votre véhicule où il pourrait entrer en contact avec de l'eau salée (Eau de mer ou flaque d'eau sur une route salée), ou de l'eau polluée ou contaminée.
- Une petite quantité d'eau peut réduire la durée de vie du moteur s'il n'est pas certifié étanche ou résistant aux projections d'eau. Si le moteur devient excessivement humide, appliquez légèrement les gaz pour évacuer le maximum d'eau du moteur. Faire tourner à un régime élevé un moteur humide causerait son endommagement rapide.

- L'utilisation en conditions humides peut réduire la durée de vie du moteur. La résistance de l'eau cause des efforts plus importants. Adaptez le rapport de transmission en utilisant un pignon plus petit ou une couronne plus grande. Cela augmentera le couple (et la durée de vie du moteur) quand vous roulez dans la boue, dans les flaques profondes ou n'importe quelle autre condition humide, cela augmente la charge appliquée au moteur.

MAINTENANCE EN CONDITIONS HUMIDES

- Evacuez l'eau collectée par les pneus en les faisant tourner à haute vitesse. Retirez la carrosserie, retournez le véhicule et donnez des courts coups d'accélérateur plein gaz jusqu'à ce que l'eau soit retirée.



ATTENTION: Tenez toujours éloigné des parties en rotation, les mains, les doigts, les outils ou autre objet lâches/pendants.

- Retirez la batterie et séchez ses contacts. Si vous possédez un compresseur d'air ou une bombe d'air compressé, chassez toute l'humidité qui se trouve dans la prise.
- Retirez les roues du véhicule et rincez-les à l'aide d'un arrosoir pour retirer la boue et la poussière. Evitez de rincer les roulements et la transmission.

REMARQUE : N'utilisez jamais un nettoyeur haute-pressure pour nettoyer le véhicule.

- Utilisez un compresseur d'air ou une bombe d'air compressée pour sécher le véhicule et vous aider à retirer l'eau logée dans les renforcements et les recoins.
- Vaporisez du lubrifiant ou de l'anti-humidité sur les roulements, les vis ou autres pièces métalliques. Ne pas en vaporiser sur le moteur.
- Laissez le véhicule sécher avant de le stocker. L'eau (et l'huile) peuvent continuer à s'écouler durant quelques heures.
- Augmentez la fréquence d'inspection, de démontage et de lubrification des éléments suivants:
 - Les axes de roues et roulements des fusées avant et arrière.
 - Tous les boîtiers de transmissions, pignons et différentiels.
 - Le moteur—nettoyez-le à l'aide d'un aérosol de nettoyant moteur et lubrifiez les paliers à l'aide de lubrifiant pour roulements.

DÉMARRAGE RAPIDE

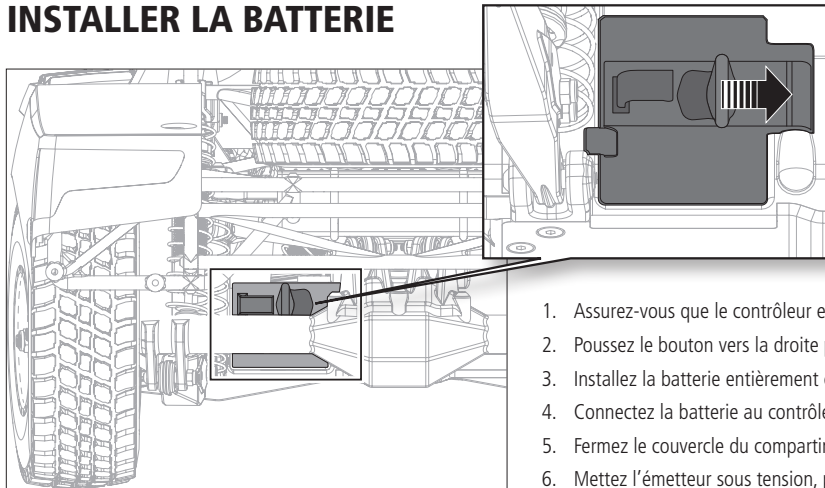
Veuillez entièrement lire le manuel pour comprendre le fonctionnement, les réglages et la maintenance de votre Baja Rey.

1. Lisez les consignes de sécurité présentes dans ce manuel.
2. Chargez une batterie pour votre véhicule. Référez-vous aux instructions et aux consignes de sécurité relatives à la charge de la batterie.
3. Installez les piles AA dans l'émetteur. Utilisez uniquement des piles alcalines ou des batteries rechargeables.
4. Installez la batterie entièrement chargée dans le véhicule.
5. Mettez en premier l'émetteur sous tension, puis le véhicule. Attendez 5 secondes pour que l'ESC s'initialise. Mettez toujours l'émetteur sous tension en premier et éteignez-le toujours en dernier.
6. Contrôlez la direction et les gaz. Vérifiez qu'ils agissent dans la bonne direction.
7. Pilotez votre véhicule.
8. Effectuez la maintenance requise.

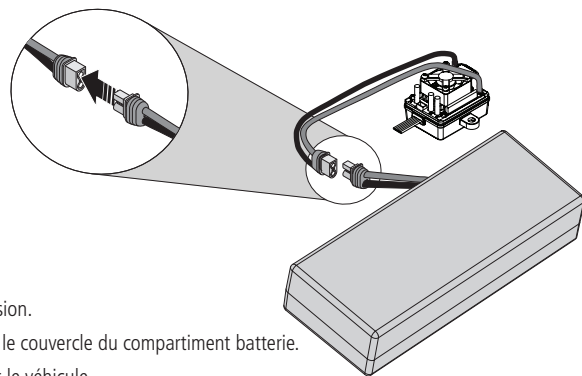
CHARGE DE LA BATTERIE

Choisissez une batterie conçue pour fonctionner avec l'ESC sans balais 130 A Spektrum Firma SMART (SPMXSE1130). Nous recommandons la batterie dans un coffret LiPo SMART 50C 7,4 V 2S 5000 mAh Spektrum avec le connecteur IC5 (SPMX50003S50H5). Choisissez un chargeur conçu pour charger les batteries Li-Po 3S. Nous recommandons le chargeur CA Spektrum SMART à double sortie 1x100 W (SPMXC1080). Consultez vos manuels de batterie et de chargeur pour des informations sur leur utilisation, la sécurité et le chargement.

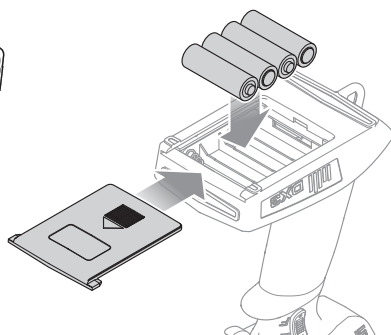
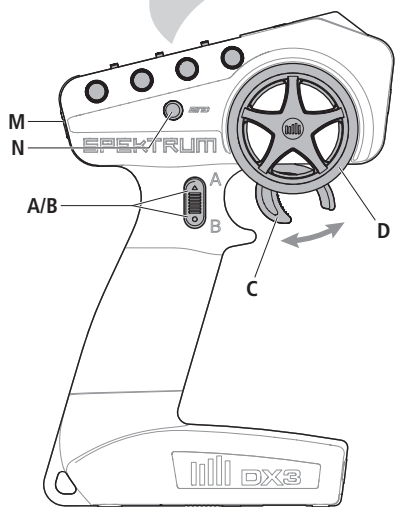
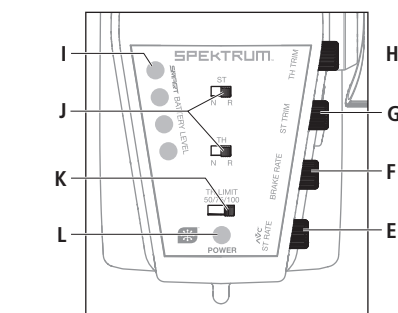
INSTALLER LA BATTERIE



1. Assurez-vous que le contrôleur est hors tension.
2. Poussez le bouton vers la droite pour ouvrir le couvercle du compartiment batterie.
3. Installez la batterie entièrement chargée sur le véhicule.
4. Connectez la batterie au contrôleur.
5. Fermez le couvercle du compartiment batterie et poussez le bouton vers la gauche pour le verrouiller.
6. Mettez l'émetteur sous tension, puis le véhicule.



ÉMETTEUR SPEKTRUM DX3 ACTIVE



FONCTIONS DE L'ÉMETTEUR

A/B. Bouton du canal 3

C. Gaz/Frein

D. Volant

E. Steering Rate (taux de direction) - Ajuste le point d'extrémité de la direction

F. Brake Rate (taux de freinage) - Ajuste le point d'extrémité du freinage.

G. Steering Trim (compensateur de direction) - Ajuste le point central de direction. En général, le compensateur de direction est ajusté jusqu'à ce que le véhicule aille droit.

H. Throttle Trim (compensateur des gaz) - Ajuste le point neutre des gaz

I. Indicateur du niveau de la batterie SMART

J. Inversion du servo - Pour inverser le canal des gaz (TH) ou de la direction (ST), faites basculer la position du commutateur correspondant : « N » est pour normal, « R » est pour inversé.

K. Throttle Limit (limite des gaz) - Limite la sortie des gaz à 50/75/100 %
Sélectionnez 50 % ou 75 % pour les pilotes moins expérimentés ou lorsque vous pilotez le véhicule dans une petite zone.

L. DEL d'alimentation

- **Témoins en rouge fixe** : indique la connectivité radio et une alimentation de batterie appropriée
- **Témoins clignotant en rouge** : indique que la tension de la batterie est à un niveau extrêmement bas. Remplacez les batteries

M. Bouton d'alimentation

N. Bouton Bind (affectation)

INSTALLATION DES PILES DE L'ÉMETTEUR

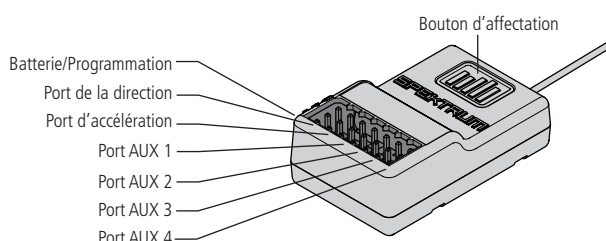
Cet émetteur nécessite 4 piles AA.

1. Retirez le couvercle du compartiment à piles.
2. Insérez les piles comme sur l'illustration.
3. Remplacez le couvercle.

⚠ ATTENTION : Ne retirez jamais les piles de l'émetteur lorsque le modèle est sous tension. Une perte de contrôle du modèle, des dommages ou des blessures peuvent survenir.

⚠ ATTENTION : Si vous utilisez des piles rechargeables, chargez seulement des piles rechargeables. La charge de piles non rechargeables peut causer un incendie, entraînant des blessures corporelles et/ou des dégâts matériels.

⚠ ATTENTION : Risque d'explosion si la batterie est remplacée par un type de batterie non conforme. Éliminer les piles usagées selon les réglementations nationales.



RÉCEPTEUR SR6200A AVEC TECHNOLOGIE AVC

VOIES AUXILIAIRES

Les voies auxiliaires peuvent servir à commander un servo additionnel, ou d'alimentation pour une puce de comptage.

Si l'AVC est activé, seules 4 voies (direction, gaz, AUX3 et AUX4) sont opérationnelles. Les voies Aux restantes peuvent être utilisées pour alimenter une puce de comptage ou des éclairages.

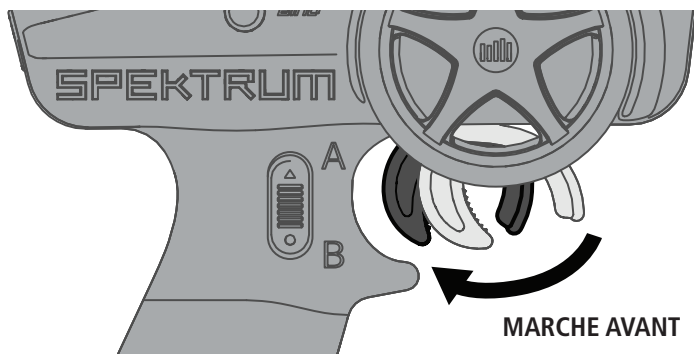
Si l'AVC est désactivé (Voir la section DESACTIVATION DE LA FONCTION DE STABILISATION pour désactiver l'AVC), les voies auxiliaires pourront commander des servos.

RÉCEPTEUR À STABILISATION ASSISTÉE

AVC - CONTRÔLE ACTIF DU VÉHICULE

Le récepteur Spektrum possède la technologie AVC (Contrôle actif du véhicule) qui possède un fonctionnement similaire au contrôle de traction des voitures échelle 1. En plus du contrôle de la traction, l'AVC augmente la stabilité dans les courbes lors de passages rapides ou sur les terrains accidentés. Plus vous augmenterez la sensibilité de l'AVC, le système augmentera la stabilité à la direction et le contrôle de traction d'une façon similaire à la réduction du débattement de direction sur un émetteur programmable. La réduction de la valeur de la sensibilité augmente le contrôle de la direction par l'émetteur. Le SRS4220 vous permet de désactiver (ou réactiver) rapidement l'AVC en cas de participation à des courses officielles.

IMPORTANT: Vous devez utiliser des servos numériques avec le récepteur. N'utilisez pas de servos analogiques car ils réduiraient les performances de votre modèle et peuvent entraîner une surchauffe.



PRÉCAUTIONS DE PILOTAGE

- Regardez toujours le modèle.
- Inspectez régulièrement le serrage des roues du véhicule.
- Inspectez régulièrement les éléments de la direction, le serrage des vis. Une conduite en tout-terrain peut causer le desserrage des fixations.
- Ne pilotez pas le véhicule dans de l'herbe haute. Vous risqueriez d'endommager le véhicule ou l'électronique.
- Stoppez la conduite du véhicule quand vous sentez une baisse de la puissance. Conduire le véhicule avec une batterie déchargée peut entraîner la mise hors tension du récepteur. Si le récepteur n'est plus alimenté, vous perdrez le contrôle de votre véhicule. Les dommages causés par une batterie Li-Po déchargée ne sont pas couverts par la garantie.

ATTENTION : Ne déchargez pas une batterie Li-Po en dessous de 3V par élément. Les batteries qui sont déchargées en dessous de la tension minimale approuvée seront endommagées, résultant en une perte de performances et un risque potentiel d'incendie lors de la charge suivante.

- N'appliquez pas la marche avant ou arrière si le véhicule est bloqué. Vous risqueriez d'endommager le moteur ou le contrôleur.
- Après avoir piloté le véhicule, laissez l'électronique refroidir avant de piloter une nouvelle fois.

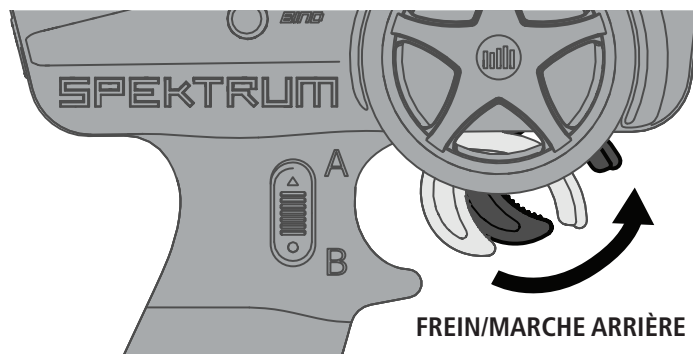
IMPORTANT: Maintenez les câbles à l'écart des pièces en mouvement.

AVANT DE FAIRE ROULER VOTRE VÉHICULE

1. Contrôlez le libre mouvement de la suspension. Tous les bras de suspension ainsi que les composants de direction doivent pivoter librement.
2. Chargez la batterie. Chargez toujours la batterie en respectant les consignes données par le fabricant de la batterie et du chargeur.
3. Ajustez sur l'émetteur le trim de la direction. Suivez les instructions pour régler le trim/sub-trim pour que le véhicule roule droit quand le volant n'est pas actionné.
4. Effectuez un test de direction.

CALIBRATION DU RÉCEPTEUR

1. Avec votre véhicule sur une surface plane et de niveau, insérez la prise d'affectation dans le port BIND du récepteur.
2. Connectez une batterie entièrement chargée au contrôleur.
3. Mettez le contrôleur sous tension. La DEL orange clignote indiquant que le récepteur est en mode affectation.
4. Placez les potentiomètres ST TRIM et TH TRIM de l'émetteur au neutre.
5. Maintenez appuyé le bouton BIND (Affectation) tout en mettant l'émetteur sous tension.
6. Relâchez le bouton BIND quand la DEL orange se met à clignoter lentement. La liaison entre l'émetteur et le récepteur est effectuée quand la DEL orange s'allume fixement.
7. Pressez la gâchette en position plein gaz.
8. Poussez la gâchette en position frein maximum, puis relâchez la gâchette pour la remettre au neutre.
9. Faites tourner le volant complètement à droite.
10. Faites tourner le volant complètement à gauche, puis relâchez-le pour le remettre au neutre. La DEL orange va clignoter une fois.
11. Retirez la prise d'affectation du récepteur et mettez-le hors tension pour enregistrer les paramètres.
12. Mettez l'émetteur hors tension.



MISE SOUS TENSION DU VÉHICULE

1. Placez les potentiomètres ST TRIM et TH TRIM de l'émetteur au neutre.
2. Mettez l'émetteur sous tension.
3. Retirez la carrosserie du véhicule.
4. Connectez une batterie entièrement chargée au contrôleur.
5. Mettez le contrôleur sous tension.

IMPORTANT: Le véhicule DOIT rester immobile sur surface plane et de niveau pendant au moins 5 secondes.

SENSIBILITÉ DE L'AVC

Le potentiomètre ST RATE permet de régler la sensibilité ou la valeur de stabilité du récepteur. Si vous augmentez la sensibilité, le système AVC deviendra plus sensible aux glissades vers la gauche et la droite du véhicule. Vous devrez utiliser la sensibilité maximale lors de conduite à haute vitesse ou pour effectuer des courses d'accélération en ligne droite. Plus la sensibilité est élevée, plus le débattement de la direction est faible.



Faites tourner le potentiomètre ST RATE dans le sens anti-horaire pour réduire la sensibilité.

Faites tourner le potentiomètre ST RATE dans le sens horaire pour augmenter la sensibilité.

IMPORTANT: Le potentiomètre ST RATE ajustera uniquement la sensibilité quand l'émetteur est affecté à un récepteur DSMR. Quand l'émetteur est affecté à un récepteur DSM, DSM2 ou DSM marine, le potentiomètre ST RATE contrôle la valeur du débattement de la direction.

DÉSACTIVATION DE LA TECHNOLOGIE AVC

Si vous participez à une course, vous devrez probablement désactiver l'AVC :

1. Insérez la prise d'affectation dans le port BIND du récepteur.
2. Insérez une deuxième prise d'affectation dans le port DISABLE (Désactivation) du récepteur.
3. Connectez une batterie entièrement chargée au contrôleur.
4. Mettez le contrôleur sous tension. La DEL orange clignote indiquant que le récepteur est en mode affectation.
5. Placez les potentiomètres ST TRIM et TH TRIM de l'émetteur au neutre.
6. Maintenez appuyé le bouton BIND (Affectation) tout en mettant l'émetteur sous tension.
7. Relâchez le bouton BIND quand la DEL orange se met à clignoter lentement. La liaison entre l'émetteur et le récepteur est effectuée quand la DEL orange s'allume fixement.
8. Pressez la gâchette en position plein gaz.
9. Poussez la gâchette en position frein maximum, puis relâchez la gâchette pour la remettre au neutre.
10. Faites tourner le volant complètement à droite.
11. Faites tourner le volant complètement à gauche, puis relâchez-le pour le remettre au neutre. La DEL orange va clignoter une fois.
12. Retirez les prises d'affectation du récepteur et mettez-le hors tension pour enregistrer les paramètres. Le récepteur clignotera continuellement pour indiquer la désactivation de l'AVC.
13. Mettez l'émetteur hors tension.

IMPORTANT: Vous devez calibrer le récepteur à chaque fois qu'il est placé en mode affectation. Pour activer l'AVC, suivez les étapes de la section "Calibration du récepteur."

AUTONOMIE

Le facteur le plus influant sur l'autonomie est la capacité de la batterie. Une capacité supérieure augmentera l'autonomie.

L'état de la batterie est aussi un facteur très important pour l'autonomie et la vitesse. Les prises de la batterie peuvent chauffer durant l'utilisation. Les batteries perdent en performances et capacité au fil du temps.

Passer le véhicule de l'arrêt à pleine vitesse de façon répétée finira par endommager la batterie et l'électronique. Les accélérations brutales réduisent l'autonomie.

POUR AMÉLIORER L'AUTONOMIE

- Ayez toujours un véhicule entretenu et propre.
- Optimisez le refroidissement du contrôleur et du moteur.
- Changez votre rapport de transmission pour une réduction plus importante. Une réduction plus importante diminuera la température de fonctionnement de l'électronique. Utilisez un pignon plus petit ou une couronne plus grande pour obtenir une réduction plus importante.
- Utilisez une batterie avec une capacité plus élevée.
- Utilisez le chargeur optimum pour effectuer la recharge des batteries. (Consultez votre revendeur local pour des informations complémentaires.)

ESC SANS BALAIS 130 A SMART SPEKTRUM FIRMA (SPMXSE1130)

SPÉCIFICATIONS

Type	Sans capteur, compatible accélérateur SMART
Sortie	130A/760A
Fonction	Avant/Freinage—Avant/Freinage Arrière
Tension d'entrée	7,4 V–14,8 V
Sortie BEC	6 V/4 A
Dimensions (L x l x H)	57,5mm x 46mm x 38mm
Poids	154 g

ÉTAT DES DEL DU VARIATEUR ESC

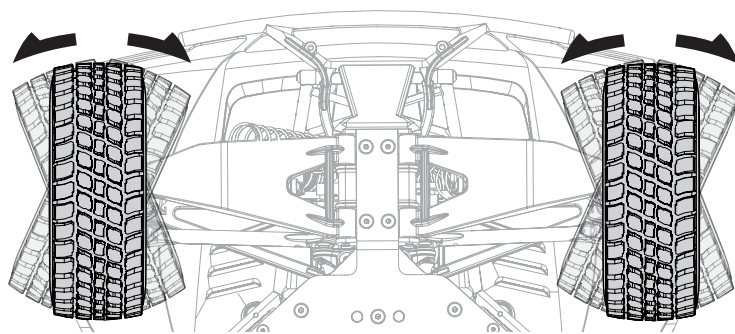
- Aucune DEL de l'ESC n'est allumée en l'absence d'entrée d'accélération provenant de l'émetteur.
- La DEL rouge de l'ESC est allumée en présence d'entrée d'accélération provenant de l'émetteur.

AVERTISSEMENTS SONORES

1. **Tension d'entrée :** l'ESC vérifie la tension d'entrée à l'allumage. En cas de détection d'un problème concernant la tension, l'ESC émet continuellement 2 bips avec une pause d'1 seconde (xx-xx-xx). Éteignez l'ESC et assurez-vous que les connexions sont correctes et que l'alimentation de la batterie n'est pas trop faible pour un fonctionnement en toute sécurité.
2. **Connexion radio :** l'ESC vérifie l'entrée du signal radio à l'allumage. En cas de détection d'un problème, l'ESC émet continuellement 1 bip avec une pause de 2 secondes (x--x--x). Éteignez l'ESC et assurez-vous que le système radio fonctionne correctement.

REMARQUE : débranchez toujours la batterie du variateur ESC lorsque vous avez terminé d'utiliser votre véhicule. Le commutateur du variateur ESC contrôle uniquement l'alimentation au récepteur et aux servos. Le variateur ESC continuera à appeler le courant lorsqu'il est branché à la batterie, pouvant provoquer des dommages potentiels à la batterie à travers la décharge.

TEST DE DIRECTION



Effectuez un test des commandes en plaçant les roues du véhicule hors du sol. Si les roues se mettent à tourner après la mise sous tension du véhicule, ajustez le potentiomètre TH TRIM jusqu'à obtenir l'arrêt de la rotation des roues. Pressez la gâchette pour faire tourner les roues en avant. Pour inverser leur rotation, attendez que leur rotation s'arrête, puis poussez la gâchette. Quand les roues tournent en marche avant, elles doivent rester parfaitement droites sans devoir corriger l'angle à l'aide du volant. Si ce n'est pas le cas, ajustez le trim ST TRIM pour obtenir un trajectoire rectiligne sans agir sur le volant.

MODIFICATION DES VALEURS DES COURSES

1. Maintenez la gâchette en position frein maximum et braquez les roues à droite à l'aide du volant de direction tout en mettant l'émetteur sous tension. La DEL va clignoter rapidement indiquant que le mode programmation est activé.
2. Fin de course des gaz : Maintenez la gâchette en position plein gaz. Faites tourner le potentiomètre TH TRIM pour régler la fin de course des gaz.
3. Fin de course du frein : Maintenez la gâchette en position frein maximum. Faites tourner le potentiomètre TH TRIM pour régler la fin de course du frein. Relâchez la gâchette pour la remettre au neutre.
4. Fin de course de la direction vers la gauche : Maintenez le volant en position complètement à gauche. Faites tourner le potentiomètre ST TRIM pour régler la fin de course de la direction vers la gauche.
5. Fin de course de la direction vers la droite : Maintenez le volant en position complètement à droite. Faites tourner le potentiomètre ST TRIM pour régler la fin de course de la direction vers la droite. Relâchez le volant pour le remettre au neutre.
6. Mettez l'émetteur hors tension pour enregistrer les paramètres. La valeur minimale de la course est de 75% et la valeur maximale est de 150%.

IMPORTANT: Si la course est modifiée sur la DX2E, vous devrez réaffecter et recalibrer l'émetteur.

PROCÉDURE DE CALIBRATION DU VARIATEUR ESC

Suivez la procédure d'affectation de l'émetteur/récepteur avant d'étalonner l'ESC.

1. Réglez le canal d'accélération de l'émetteur sur course à 100 % et centrez le compensateur de l'accélération.
2. Raccordez une batterie au câble de batterie de l'ESC.
3. Mettez l'émetteur en marche.
4. Maintenez enfoncé le bouton SET (configurer) tout en allumant l'ESC. Relâchez le bouton SET lorsque la DEL **rouge** commence à clignoter pour indiquer que l'ESC est en mode étalonnage. L'ESC entre en mode programmation si le bouton est maintenu enfoncé pendant plus de trois secondes.

CONSEIL : la DEL rouge doit être en train de clignoter lorsque l'ESC entre en mode étalonnage. Si la DEL verte clignote, l'ESC est entré en mode programmation. Éteignez l'ESC et répétez l'étape 4, en relâchant le bouton SET (configurer) lorsque la DEL rouge commence à clignoter.

5. Avec la commande d'accélérateur de l'émetteur sur la position neutre, enfoncez et relâchez le bouton ESC SET (configurer l'ESC). La DEL rouge cesse de clignoter, la DEL verte clignote une fois et le moteur émet un son pour indiquer que la position neutre a été acceptée.
6. Tout en maintenant la commande d'accélérateur sur la position accélération maximale, enfoncez et relâchez le bouton ESC SET (configurer l'ESC). Le DEL verte clignote deux fois et le moteur émet deux sons pour indiquer que la position accélération maximale a été acceptée.
7. Tout en maintenant la commande d'accélérateur sur la position freinage à fond, enfoncez et relâchez le bouton SET (configurer). Le DEL verte clignote trois fois et le moteur émet trois sons pour indiquer que la position freinage à fond a été acceptée.

Le moteur fonctionne normalement une fois l'étalonnage terminé.

FONCTIONS ET MODES DU VARIATEUR ESC

Le variateur ESC comprend des options de programmation pour que vous puissiez ajuster la manière dont votre véhicule fonctionne. Référez-vous au tableau de programmation inclus pour régler l'ESC en fonction de vos conditions de conduite.

TABLEAU DE PROGRAMMATION

■ Paramètres par défaut

ÉLÉMENTS DE PROGRAMMATION	VALEUR DE PROGRAMMATION								
	1	2	3	4	5	6	7	8	9
1. Mode de fonctionnement	Avant avec frein	Avant/Arrière avec frein	Avant/Arrière						
2. Force de freinage par résistance	0 %	5 %	10 %	20 %	40 %	60 %	80 %	100 %	
3. Coupure par tension faible	Non-protection	2,6 V/Cellule	2,8 V/Cellule	3,0 V/Cellule	3,2 V/Cellule	3,4 V/Cellule			
4. Mode de démarrage	Niveau 1	Niveau 2	Niveau 3	Niveau 4	Niveau 5	Niveau 6	Niveau 7	Niveau 8	Niveau 9
5. Force de freinage maximum	25 %	50 %	75 %	100 %	désactiver				
6. Force de recul maximum	25 %	50 %	75 %	100 %					
7. Force de freinage initial	= freinage par résistance	0 %	20 %	40 %					
8. Plage neutre	6 % (étroite)	9 % (normale)	12 % (large)						
9. Minuterie	0,00°	3,75°	7,50°	11,25°	15,00°	18,75°	22,50°	26,25°	
10. Rotation du moteur	Sens contraire des aiguilles d'une montre	Sens des aiguilles d'une montre							
11. Cellules Li-Po	Calcul automatique	2 cellules	3 cellules	4 cellules	5 cellules	6 cellules			

PROCÉDURE DE PROGRAMMATION DU VARIATEUR ESC

La programmation s'effectue en appuyant sur le bouton SET (configurer) sur le commutateur ON/OFF (marche/arrêt)*.

1. Connectez une batterie complètement chargée au variateur ESC.
2. Mettez l'émetteur en marche.
3. Allumez le variateur ESC.
4. Maintenez enfoncé le bouton SET (configurer) jusqu'à ce que la DEL verte clignote.
Relâchez le bouton de configuration pour entrer dans le mode programmation.

CONSEIL : pour réinitialiser tous les éléments de programmation sur les valeurs par défaut, maintenez enfoncé le bouton de configuration pendant cinq secondes

5. Enfoncez et relâchez le bouton de configuration au besoin pour parcourir les éléments de programmation. Le nombre de clignotements de la DEL verte correspond au numéro d'élément de programmation indiqué dans le tableau de programmation.
6. Quand vous avez atteint l'élément de programmation souhaité, maintenez enfoncé le bouton de configuration jusqu'à ce que la DEL rouge clignote pour sélectionner l'élément.
7. Enfoncez et relâchez le bouton SET (configurer) pour parcourir les valeurs disponibles correspondant à l'élément de programmation en vous basant sur le nombre de clignotements de la DEL. Veuillez vous référer au tableau de programmation.
8. Enregistrez la configuration en maintenant enfoncé le bouton SET (configurer) pendant 3 secondes.
9. Éteignez l'ESC pour sortir du mode programmation ou pour modifier d'autres éléments de programmation.

*Parmi d'autres options de programmation, il existe la boîte de programmation d'ESC Spektrum SMART Firma (SPMXCA200) et l'application de programmation et de mise à jour USB SmartLink. Consultez SpektrumRC.com pour plus de détails sur les ESC Spektrum SMART Firma.

DESCRIPTION

1. Mode de fonctionnement

- *Marche avant avec frein*

Utilisé en compétition, ce mode ne permet que la marche avant et le frein.

- *Marche avant/arrière avec frein*

Ce mode est le plus utilisé, il permet la marche avant, la marche arrière et le contrôle des freins. Pour enclencher la marche arrière quand vous roulez en avant, appliquez le frein jusqu'à l'arrêt complet du véhicule, relâchez le frein, puis freinez de nouveau, le véhicule va reculer. Quand vous reculez ou que vous freinez, si vous appliquez de l'accélérateur, la marche avant passe instantanément.

2. Puissance du frein moteur

Permet de régler la puissance du frein qui s'applique automatiquement quand la commande retourne au neutre. Cela simule l'effet du frein moteur des véhicules échelle 1, en améliorant le comportement dans les courbes et la réponse générale du véhicule.

3. Coupure basse tension

Cette fonction évite les décharges trop importantes de la batterie. Le contrôleur surveille en continu la tension de la batterie. Si la tension descend durant 2 secondes en dessous de la valeur programmée, l'alimentation du moteur est coupée et la DEL rouge clignote deux fois de manière répétée.

Le calcul du seuil de la coupure est basé sur la tension individuelle de chaque élément Li-Po. Concernant les batteries Ni-MH, si la tension de la batterie est supérieure à 9V, elle sera considérée comme une batterie Li-Po 3S, si la tension de la batterie est inférieure à 9V, elle sera considérée comme une batterie Li-Po 2S. Par exemple, une batterie Ni-MH de 8V utilisée avec un seuil de coupure à 2.6V par élément, sera considérée comme une batterie Li-Po 2S et la tension de coupure sera à 5.2V (2.6x2=5.2V). En utilisant la boîte de programmation digitale optionnelle (DYN3005), vous pourrez régler le seuil de coupure.

4. Mode de démarrage

Permet de régler l'accélération initiale. Le niveau 1 offre un démarrage très doux alors que le niveau 4 offre un démarrage plus musclé.

5. Puissance maximale du frein

Permet de régler la puissance maximale du frein. Une valeur plus élevée provoque un freinage plus puissant, mais cela peut causer le blocage des roues, entraînant une perte de contrôle du véhicule.

6. Puissance maximale de la marche arrière

Permet de régler la puissance maximale de la marche arrière.

7. Puissance de frein initiale (frein minimum)

Permet de régler la valeur minimum de force de freinage quand les freins s'enclenchent. La valeur par défaut est égale à la puissance du frein moteur. Une valeur supérieure peut entraîner un blocage des roues causant une perte de contrôle du véhicule.

8. Zone de neutre

Permet de régler la sensibilité de la voie des gaz autour du neutre. Plus la valeur est élevée, plus le manche ou la gâchette devra être déplacé pour que le véhicule se déplace en marche avant arrière ou frein.

9. Avance

Permet de régler l'avance du moteur. Une avance élevée offre des performances supérieures, mais diminue l'autonomie et peut endommager le moteur et le contrôleur à cause d'une surcharge ou d'une surchauffe.

REMARQUE: Contrôlez toujours que l'avance est correctement paramétrée. Un mauvais réglage de l'avance peut entraîner l'endommagement du moteur et du contrôleur.

Consultez la documentation du fabricant de votre moteur pour l'avance recommandée.

Les paramètres suivants nécessitent l'utilisation de la boîte de programmation digitale optionnelle pour être modifiés :

Les menus **10** et **11** sont réservés aux mises à jour du logiciel via la boîte de programmation.

12. Sens de rotation

Cela permet de changer le sens de rotation du moteur sans inverser le branchement des câbles du moteur.

13. Nombre d'éléments Li-Po

Permet au contrôleur de détecter automatiquement ou de choisir manuellement le nombre d'éléments de votre batterie Li-Po.

SPEKTRUM™ FIRMA™ 3800KV BRUSHLESS MOTOR

PRÉCAUTIONS

- Ne touchez jamais les parties en mouvement.
- Ne démontez jamais le moteur quand la batterie est installée.
- Laissez toujours refroidir avant de manipuler.

TRANSMISSION

Votre véhicule est équipé du rapport de transmission idéal pour une utilisation en configuration d'origine. Il offre l'équilibre idéal entre la vitesse, la puissance et l'autonomie. Si vous décidez de modifier votre véhicule en utilisant des batteries ou des moteurs optionnels, il sera probablement nécessaire de changer le pignon ou la couronne.

L'installation d'un pignon comportant moins de dents ou d'une couronne comportant plus de dents entraînera une augmentation du couple mais réduira la vitesse de pointe. Naturellement, l'installation d'un pignon comportant plus de dents ou d'une couronne en comportant moins entraînera une réduction du couple mais augmentera la vitesse de pointe. Une attention particulière devra être appliquée quand vous installez des pignons comportant un nombre de dents supérieur, il y a un risque de "trop rallonger" la transmission, ce qui pourrait entraîner une surchauffe du contrôleur et du moteur. Quand vous essayez différents rapports de transmission, surveillez la température du moteur et du contrôleur pour être certain d'être dans la plage des températures de fonctionnement. Le moteur et le contrôleur ne doivent pas atteindre une température où ils ne peuvent plus être touchés. Si les températures sont trop élevées, nous vous recommandons d'essayer d'autres rapports de transmission avec des pignons plus petits ou des couronnes plus grandes.

GUIDE DE DÉPANNAGE

PROBLÈME	CAUSE POSSIBLE	SOLUTION
Le véhicule ne fonctionne pas	Batterie déchargée ou débranchée	Chargez la batterie ou branchez la
	L'interrupteur du contrôleur n'est pas en position "ON"	Mettez l'interrupteur sur "ON"
	L'émetteur n'est pas sous tension ou la batterie est faible	Mettez l'émetteur sous tension ou chargez la batterie
Le moteur tourne mais les roues ne sont pas entraînées	Le pignon n'entraîne pas la couronne	Réglez l'entre-dents
	Le pignon tourne sur l'axe moteur	Resserrez la vis du pignon sur le méplat de l'axe moteur
	Dents de pignons abîmées	Remplacez les pignons
	Goupille cassée	Contrôlez et remplacez la goupille
La direction ne fonctionne pas	Le servo n'est pas correctement branché	Vérifiez que la prise du servo est bien connectée à la voie de direction, et que la polarité est correcte
	Les pignons ou le moteur du servo sont endommagés	Remplacez ou réparez le servo
Ne tourne que dans une direction	Les pignons du servo sont endommagés	Remplacez ou réparez le servo
Le moteur ne fonctionne pas	Un câble du moteur est dessoudé	Ressoudez le câble à l'aide de matériel adapté.
	Un câble est endommagé	Réparez ou remplacez le câble
	Le contrôleur est endommagé	Contactez le service client Horizon Hobby
Le contrôleur chauffe	Le rapport de transmission n'est pas adapté	Utilisez un pignon plus petit ou une couronne plus grande
	Transmission non libre	Contrôlez la transmission afin de trouver la cause du blocage
Faible autonomie	La batterie n'est pas totalement chargée	Rechargez la batterie
	Le chargeur n'effectue pas la charge complète	Utilisez un autre chargeur
	Transmission non libre	Contrôlez la transmission afin de trouver la cause du blocage
Portée limitée	Piles de l'émetteur trop faibles	Contrôlez et remplacez
	Batterie du véhicule trop faible	Rechargez la batterie
	Mauvais contacts	Contrôlez toutes les connexions

GARANTIE ET RÉPARATIONS

Durée de la garantie

Garantie exclusive – Horizon Hobby, LLC (Horizon) garantit que le Produit acheté (le « Produit ») sera exempt de défauts matériels et de fabrication à sa date d'achat par l'Acheteur. La durée de garantie correspond aux dispositions légales du pays dans lequel le produit a été acquis. La durée de garantie est de 6 mois et la durée d'obligation de garantie de 18 mois à l'expiration de la période de garantie.

Limitations de la garantie

(a) La garantie est donnée à l'acheteur initial (« Acheteur ») et n'est pas transférable. Le recours de l'acheteur consiste en la réparation ou en l'échange dans le cadre de cette garantie. La garantie s'applique uniquement aux produits achetés chez un revendeur Horizon agréé. Les ventes faites à des tiers ne sont pas couvertes par cette garantie. Les revendications en garantie seront acceptées sur fourniture d'une preuve d'achat valide uniquement. Horizon se réserve le droit de modifier les dispositions de la présente garantie sans avis préalable et révoque alors les dispositions de garantie existantes.

(b) Horizon n'endosse aucune garantie quant à la vendabilité du produit ou aux capacités et à la forme physique de l'utilisateur pour une utilisation donnée du produit. Il est de la seule responsabilité de l'acheteur de vérifier si le produit correspond à ses capacités et à l'utilisation prévue.

(c) Recours de l'acheteur – Il est de la seule discrétion d'Horizon de déterminer si un produit présentant un cas de garantie sera réparé ou échangé. Ce sont là les recours exclusifs de l'acheteur lorsqu'un défaut est constaté.

Horizon se réserve la possibilité de vérifier tous les éléments utilisés et susceptibles d'être intégrés dans le cas de garantie. La décision de réparer ou de remplacer le produit est du seul ressort d'Horizon. La garantie exclut les défauts esthétiques ou les défauts provoqués par des cas de force majeure, une manipulation incorrecte du produit, une utilisation incorrecte ou commerciale de ce dernier ou encore des modifications de quelque nature qu'elles soient.

La garantie ne couvre pas les dégâts résultant d'un montage ou d'une manipulation erronés, d'accidents ou encore du fonctionnement ainsi que des tentatives d'entretien ou de réparation non effectuées par Horizon. Les retours effectués par le fait de l'acheteur directement à Horizon ou à l'une de ses représentations nationales requièrent une confirmation écrite.

Limitation des dommages

Horizon ne saurait être tenu pour responsable de dommages consécutifs directs ou indirects, de pertes de revenus ou de pertes commerciales, liés de quelque manière que ce soit au produit et ce, indépendamment du fait qu'un recours puisse être formulé en relation avec un contrat, la garantie ou l'obligation de garantie. Par ailleurs, Horizon n'acceptera pas de recours issus d'un cas de garantie lorsque ces recours dépassent la valeur unitaire du produit. Horizon n'exerce aucune influence sur le montage, l'utilisation ou la maintenance du produit ou sur d'éventuelles combinaisons de produits choisis par l'acheteur. Horizon ne prend en compte aucune garantie et n'accepte aucun recours pour les blessures ou les dommages pouvant en résulter. Horizon Hobby ne saurait être tenu responsable d'une utilisation ne respectant pas les lois, les règles ou réglementations en vigueur. En utilisant et en montant le produit, l'acheteur accepte sans restriction ni réserve toutes les dispositions relatives à la garantie figurant dans le présent document. Si vous n'êtes pas prêt, en tant qu'acheteur, à accepter ces dispositions en relation avec l'utilisation du produit, nous vous demandons de restituer au vendeur le produit complet, non utilisé et dans son emballage d'origine.

Indications relatives à la sécurité

Ceci est un produit de loisirs perfectionné et non un jouet. Il doit être utilisé avec précaution et bon sens et nécessite quelques aptitudes mécaniques ainsi que mentales. L'incapacité à utiliser le produit de manière sûre et raisonnable peut provoquer des blessures et des dégâts matériels conséquents. Ce produit n'est pas destiné à être utilisé par des enfants sans la surveillance par un tuteur. La notice d'utilisation contient des indications relatives à la sécurité ainsi que des indications concernant la maintenance et le fonctionnement du produit. Il est absolument indispensable de lire et de comprendre ces indications avant la première mise en service. C'est uniquement ainsi qu'il sera possible d'éviter une manipulation erronée et des accidents entraînant des blessures et des dégâts. Horizon Hobby ne saurait être tenu responsable d'une utilisation ne respectant pas les lois, les règles ou réglementations en vigueur.

Questions, assistance et réparations

Votre revendeur spécialisé local et le point de vente ne peuvent effectuer une estimation d'éligibilité à l'application de la garantie sans avoir consulté Horizon. Cela vaut également pour les réparations sous garantie. Vous voudrez bien, dans un tel cas, contacter le revendeur qui conviendra avec Horizon d'une décision appropriée, destinée à vous aider le plus rapidement possible.

Maintenance et réparation

Si votre produit doit faire l'objet d'une maintenance ou d'une réparation, adressez-vous soit à votre revendeur spécialisé, soit directement à Horizon. Emballez le produit soigneusement. Veuillez noter que le carton d'emballage d'origine ne suffit pas, en règle générale, à protéger le produit des dégâts pouvant survenir pendant le transport. Faites appel à un service de messagerie proposant une fonction de suivi et une assurance, puisque Horizon ne prend aucune responsabilité pour l'expédition du produit jusqu'à sa réception acceptée. Veuillez joindre une preuve d'achat, une description détaillée des défauts ainsi qu'une liste de tous les éléments distincts envoyés. Nous avons de plus besoin d'une adresse complète, d'un numéro de téléphone (pour demander des renseignements) et d'une adresse de courriel.

Garantie et réparations

Les demandes en garantie seront uniquement traitées en présence d'une preuve d'achat originale émanant d'un revendeur spécialisé agréé, sur laquelle figurent le nom de l'acheteur ainsi que la date d'achat. Si le cas de garantie est confirmé, le produit sera réparé. Cette décision relève uniquement de Horizon Hobby.

Réparations payantes

En cas de réparation payante, nous établissons un devis que nous transmettons à votre revendeur. La réparation sera seulement effectuée après que nous ayons reçu la confirmation du revendeur. Le prix de la réparation devra être acquitté au revendeur. Pour les réparations payantes, nous facturons au minimum 30 minutes de travail en atelier ainsi que les frais de réexpédition. En l'absence d'un accord pour la réparation dans un délai de 90 jours, nous nous réservons la possibilité de détruire le produit ou de l'utiliser autrement.



ATTENTION: Nous n'effectuons de réparations payantes que pour les composants électroniques et les moteurs. Les réparations touchant à la mécanique, en particulier celles des hélicoptères et des voitures radiocommandées, sont extrêmement coûteuses et doivent par conséquent être effectuées par l'acheteur lui-même.

10/15

Coordonnées de Garantie et réparations

Pays d'achat	Horizon Hobby	Numéro de téléphone/E-mail	Adresse
EU	Horizon Technischer Service Sales: Horizon Hobby GmbH	service@horizonhobby.eu +49 (0) 4121 2655 100	Hanskampring 9 D 22885 Barsbüttel, Germany

INFORMATION IC

IC: 6157A-KATY1T
IC: 6157A-SPMSR6200A
CAN ICES-3 (B)/NMB-3(B)

Ce dispositif contient un/des émetteur(s)/récepteur(s) non soumis à licence conforme(s) aux CNR d'Innovation, Sciences et Développement économique Canada. Son utilisation est soumise aux deux conditions suivantes : (1) Cet appareil ne doit pas causer d'interférences, et (2) Cet appareil doit accepter toutes les interférences, y compris celles pouvant entraîner un dysfonctionnement.

INFORMATIONS DE CONFORMITÉ POUR L'UNION EUROPÉENNE



Déclaration de conformité de l'Union européenne:
LOSI FORD RAPTOR BAJA RAY KING SHOCKS, RTR: 1/10
4WD (LOS03020V2T1) Par la présente, Horizon Hobby, LLC
déclare que cet appareil est conforme aux directives suivantes :

Directive relative aux équipements radioélectriques 2014/53/UE, Directive RoHS 2 2011/65/UE, Directive RoHS 3 - Modifiant 2011/65/UE Annexe II 2015/863.

REMARQUE: Ce produit contient des batteries couvertes par la directive européenne 2006/66 / EC, qui ne peuvent pas être jetées avec les déchets ménagers. Veuillez respecter les réglementations locales.

Le texte complet de la déclaration de conformité UE est disponible à l'adresse Internet suivante : <https://www.horizonhobby.com/content/support-render-compliance>.

Émetteur

Fréquence: 2402.0–2478.0MHz
Max EIRP: 17.5 dBm

Récepteur:

Fréquence: 2402-2478MHz
Max EIRP: 20dBm

Fabricant officiel de l'UE :

Horizon Hobby, LLC
2904 Research Road
Champaign, IL 61822 USA

Importateur officiel de l'UE :

Horizon Hobby, GmbH
Hanskampring 9
22885 Barsbüttel Germany

DIRECTIVE DEEE :



L'étiquette de cet appareil respecte la directive européenne 2012/19/UE en matière de déchets des équipements électriques et électroniques (DEEE). Cette étiquette indique que ce produit ne doit pas être jeté avec les déchets ménagers, mais déposé dans une installation appropriée afin de permettre sa récupération et son recyclage.

AVVISO

Tutte le istruzioni, le garanzie e gli altri documenti pertinenti sono soggetti a cambiamenti a totale discrezione di Horizon Hobby, LLC. Per una documentazione aggiornata sul prodotto, visitare il sito horizonhobby.com e fare clic sulla sezione Support del prodotto.

CONVENZIONI TERMINOLOGICHE

Nella documentazione relativa al prodotto vengono utilizzati i seguenti termini per indicare i vari livelli di pericolo potenziale durante l'uso del prodotto:

AVVERTENZA: Indica procedure che, se non debitamente seguite, determinano il rischio di danni alle cose, danni collaterali e gravi lesioni alle persone o il rischio elevato di lesioni superficiali alle persone.

ATTENZIONE: Indica procedure che, se non debitamente seguite, determinano il rischio di danni alle cose e di gravi lesioni alle persone.

AVVISO: Indica procedure che, se non debitamente seguite, possono determinare il rischio di danni alle cose e il rischio minimo o nullo di lesioni alle persone.

AVVERTENZA: leggere TUTTO il manuale di istruzioni e familiarizzare con le caratteristiche del prodotto prima di farlo funzionare. Un uso improprio del prodotto può causare danni al prodotto stesso e alle altre cose e gravi lesioni alle persone.

Questo modello è un prodotto sofisticato per appassionati di modellismo. Deve essere azionato in maniera attenta e responsabile e richiede alcune conoscenze basilari di meccanica. L'uso improprio o irresponsabile di questo prodotto può causare lesioni alle persone e danni al prodotto stesso o alle altre cose. Questo prodotto non deve essere utilizzato dai bambini senza la diretta supervisione di un adulto. Non tentare di smontare, utilizzare componenti incompatibili o modificare il prodotto in nessun caso senza previa approvazione di Horizon Hobby, LLC. Questo manuale contiene le istruzioni per la sicurezza, l'uso e la manutenzione del prodotto. È fondamentale leggere e seguire tutte le istruzioni e le avvertenze del manuale prima di montare, impostare o utilizzare il prodotto, al fine di utilizzarlo correttamente e di evitare di causare danni alle cose o gravi lesioni alle persone.

AVVERTENZA CONTRO PRODOTTI CONTRAFFATTI Acquistate sempre da rivenditori autorizzati Horizon Hobby per essere certi di avere prodotti originali Spektrum di alta qualità. Horizon Hobby rifiuta qualsiasi supporto o garanzia riguardo, ma non limitato a, compatibilità e prestazioni di prodotti contraffatti o che dichiarano compatibilità con DSM o Spektrum.

Limite minimo di età consigliato: Almeno 14 anni. Non è un giocattolo.

PRECAUZIONI PER LA SICUREZZA E AVVERTIMENTI

In quanto utilizzatore di questo prodotto, voi siete gli unici responsabili per una condotta che non costituisca pericolo per voi e gli altri, e che possa causare danni al modello o ad altre proprietà.

Questo modello è controllato da un segnale radio potenzialmente soggetto a interferenze da molte fonti che non potete controllare. Queste interferenze possono generare momentanee perdite di controllo del modello, quindi è consigliabile mantenere sempre una certa distanza di sicurezza in ogni direzione, poiché questo può aiutare ad evitare urti o infortuni.

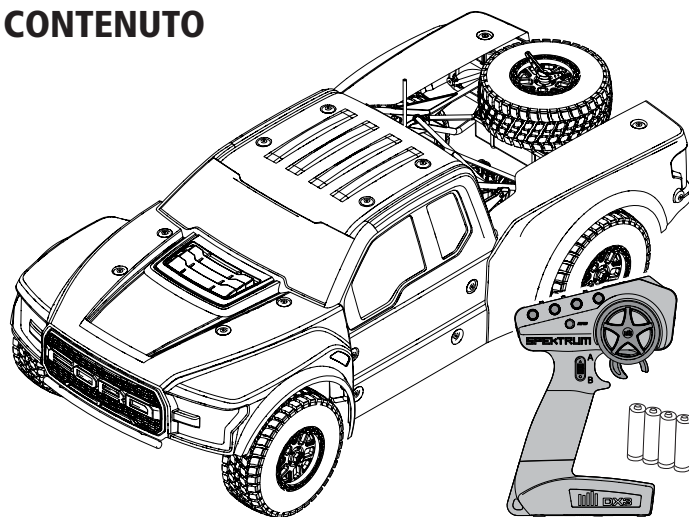
- Non utilizzare mai il modello con batterie scariche.
- Utilizzate sempre il modello in zone ampie, sgombre da persone, macchine e traffico.
- Non utilizzate mai il modello in strade aperte al traffico o in luoghi affollati.
- Seguite attentamente le avvertenze d'uso di questo modello e di ogni altro accessorio (caricabatterie, batterie ricaricabili ecc.).
- Tenete qualsiasi prodotto chimico o elettrico al di fuori della portata dei bambini.

- Non leccate o ingerite alcun pezzo del modello perché questo può causare infortuni seri, o addirittura la morte.
- Utilizzate sempre con attenzione attrezzi e oggetti affilati.
- Prestare attenzione durante la costruzione perché alcune parti potrebbero avere degli spigoli vivi.
- Subito dopo l'uso NON toccate componenti del modello quali motore, variatore elettronico o la batteria, perché si scaldano molto durante il funzionamento. Toccandoli potreste scottarvi.
- Non infilate le dita tra gli ingranaggi del modello o altre parti in rotazione o movimento, poiché questo può causare danni o infortuni gravi.
- Accendete sempre prima la trasmittente e poi la ricevente sul modello. Invece spegnete sempre prima la ricevente e poi la trasmittente.
- Sollevate le ruote del modello da terra quando controllate il corretto funzionamento dell'apparato radio.

INDICE

CONTENUTO	27
VEICOLO RESISTENTE ALL'ACQUA CON ELETTRONICA IMPERMEABILE	28
AVVIO RAPIDO	28
CARICA DELLA BATTERIA	28
METTERE LA BATTERIA	29
SISTEMA RADIO SPEKTRUM DX2E ACTIVE	29
INSTALLARE LE PILE DEL TRASMETTITORE	29
RICEVENTE SRS6200A CON TECNOLOGIA AVC	29
RICEVITORE CON STABILIZZATORE	30
PRECAUZIONI NELLA GUIDA	30
ACCENSIONE DEL VEICOLO	30
PRIMA DI USARE IL VEICOLO	30
REGOLAZIONE DEL VALORE DI SENSIBILITÀ	30
DISABILITARE TECNOLOGIA AVC	31
ESEGUIRE UN CONTROLLO DELLA DIREZIONE DEI COMANDI	31
TEMPO DI UTILIZZO	31
CAMBIARE I PARAMETRI DI REGOLAZIONE DELLA CORSA	31
ESC BRUSHLESS SPEKTRUM FIRMA SMART 130 A	31
SPEKTRUM FIRMA 3800KV MOTORE BRUSHLESS	33
GUIDA ALLA RISOLUZIONE DEI PROBLEMI	33
GARANZIA	34
GARANZIA E ASSISTENZA INFORMAZIONI PER I CONTATTI	34
DICHIARAZIONE DI CONFORMITÀ EU	34
ELENCO DEI RICAMBI	35-36
PEZZI OPZIONALI	36
VISTA ESPLOSA DELLE PARTI	37-41

CONTENUTO



REGISTRATE ONLINE IL VOSTRO PRODOTTO LOSI

Registrate ora il vostro veicolo per essere i primi ad essere informati sugli ultimi aggiornamenti, accessori, ecc. Cliccate sulla linguetta Support in www.loσι.com e seguite il link per la registrazione del prodotto.

COMPONENTI

- Losi Ford Raptor Baja Rey King Shocks RTR con tecnologia AVC: Desert Truck 4WD in scala 1/10
- Trasmittente Spektrum DX3 2,4 GHz (SPM2340)
- Ricevitore di superficie Spektrum DSMR 6 canali AVC (SPMSRS6200A)
- Servo Spektrum 15 kg 23T impermeabile con ingranaggio in acciaio (SPMS614S)
- Smart ESC Spektrum 130 A brushless, senza sensori, impermeabile 2-4S (SPMXSE1130)
- Motore Spektrum 550 brushless 3800 Kv (SPMXSM2900)
- 4 pile AA (per la trasmittente)

VEICOLO RESISTENTE ALL'ACQUA CON ELETTRONICA IMPERMEABILE

Il vostro nuovo veicolo Horizon Hobby è stato progettato e costruito con una combinazione di componenti impermeabili e resistenti all'acqua, per consentirvi di utilizzare il prodotto in molte situazioni "umide," incluse pozze, ruscelli, erba bagnata, neve e anche pioggia.

Sebbene tutto il veicolo sia altamente resistente all'acqua, tuttavia non è completamente impermeabile e NON si può trattare come fosse un sottomarino. I vari componenti elettronici usati sul veicolo, come il regolatore elettronico di velocità (ESC), i servi e il ricevitore, sono impermeabili, però molti dei componenti meccanici sono solo resistenti all'acqua e non si possono immergere.

Le parti metalliche, inclusi i cuscinetti, le cerniere, viti e dadi, come pure i contatti sui cavi elettrici, sono suscettibili di corrosione se non si fa una particolare manutenzione dopo l'uso sul bagnato. Per prolungare al massimo le prestazioni nel tempo e tenere valida la garanzia, le procedure descritte nella sezione "Manutenzione in condizioni umide," si devono applicare regolarmente se si sceglie di correre sul bagnato. Se non siete disposti ad eseguire questa manutenzione aggiuntiva, allora dovete evitare di utilizzare il veicolo in queste condizioni.



ATTENZIONE: L'uso incauto di questo prodotto o il mancato rispetto delle seguenti precauzioni può portare ad un malfunzionamento del prodotto e/o invalidare la garanzia.

PRECAUZIONI GENERALI

- Leggete attentamente le procedure di manutenzione del vostro veicolo in condizioni umide, per essere sicuri di avere tutte le attrezzature necessarie per questo scopo.
- Non tutte le batterie si possono usare in condizioni di umidità. Consultate il costruttore delle batterie prima di utilizzarle. Bisogna avere cautela quando si usano le batterie Li-Po in condizioni di bagnato.
- Molti trasmettitori non sono resistenti all'acqua. Consultate i relativi manuali o il costruttore prima dell'utilizzo.
- Non utilizzate mai il vostro trasmettitore o il veicolo quando ci sono lampi.
- Non utilizzate il vostro veicolo quando c'è il rischio che entri in contatto con acqua salata (acqua marina o acqua proveniente da una strada su cui sia stato sparso del sale), acqua contaminata o inquinata. L'acqua salata è molto conduttiva e altamente corrosiva, perciò bisogna usare molta cautela.
- Anche il minimo contatto con l'acqua potrebbe ridurre la vita del vostro motore se non è stato certificato come impermeabile o resistente all'acqua. Se dovesse essere troppo

umido, accelerate poco finché l'acqua non viene rimossa dal motore. Far girare forte un motore bagnato potrebbe danneggiarlo rapidamente.

- Guidare sul bagnato può ridurre la vita del motore. La resistenza aggiuntiva in queste condizioni causa uno sforzo eccessivo. Modificate il rapporto di riduzione diminuendo il pignone o aumentando la corona. Questo aumenta la coppia (e la vita del motore) quando si utilizza il veicolo nel fango, in pozzanghere profonde o qualsiasi altra situazione in cui l'umidità possa aumentare il carico del motore per lungo tempo.

MANUTENZIONE IN CONDIZIONI UMIDE

- Scaricare l'acqua raccolta negli pneumatici facendoli girare ad alta velocità. Togliere la carrozzeria e rovesciare il veicolo, poi dare alcune brevi accelerate finché l'acqua non viene rimossa.



ATTENZIONE: Durante l'operazione precedente, tenere sempre lontano dalle parti rotanti mani, dita, attrezzi o altri oggetti liberi di muoversi.

- Togliere la batteria ed asciugarne i contatti. Se avete un compressore o una bombola di aria compressa, soffiare via l'eventuale acqua rimasta all'interno del connettore.
- Smontate le ruote/gomme dal veicolo e risciacquatele con attenzione per togliere il fango e la polvere usando un getto di acqua. Evitate di risciacquare i cuscinetti e la trasmissione.

AVVISO: Non usare acqua sotto pressione per pulire il vostro veicolo.

- Usate un compressore o una bombola di aria compressa per asciugare il veicolo e togliere i residui di acqua eventualmente rimasti nelle piccole fessure e negli angoli.
- Spruzzare un olio impermeabilizzante o un lubrificante su cuscinetti, elementi di fissaggio e altre parti metalliche. Non spruzzare sul motore.
- Lasciate che il veicolo si asciughi all'aria prima di riporlo. L'acqua (e l'olio) continuerà a sgocciolare per alcune ore.
- Smontate il veicolo più di frequente, ispezionando e lubrificando le parti seguenti:
 - I cuscinetti dei mozzi sugli assi anteriore e posteriore.
 - Tutte le scatole di trasmissione, ingranaggi e differenziali.
 - Pulite il motore con un adatto prodotto aerosol e rilubrificate le boccole con olio leggero per motore.

AVVIO RAPIDO

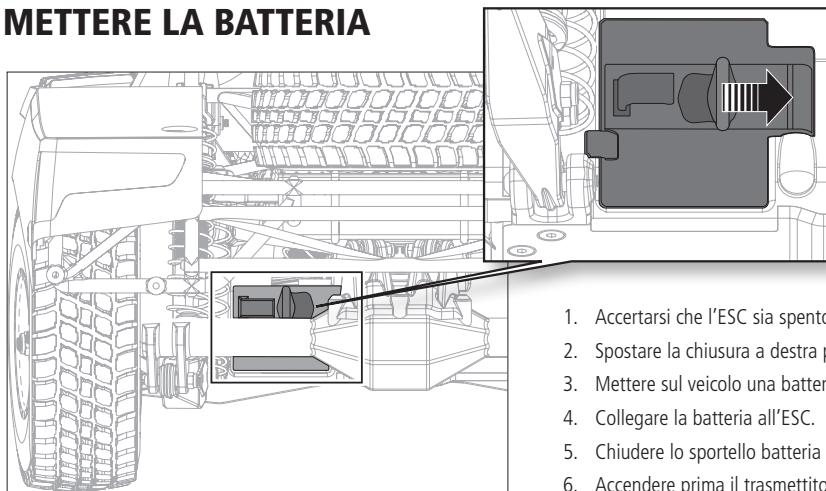
Si prega di leggere tutto il manuale per conoscere completamente il veicolo Baja Rey per poterlo mettere a punto e fargli la manutenzione.

1. Leggere le precauzioni per la sicurezza che si trovano in questo manuale.
2. Caricare la batteria del veicolo. Fare riferimento alle avvertenze per la carica e a tutte le informazioni riguardanti la carica, comprese in questo manuale.
3. Installare nel trasmettitore le pile AA. Usare solo pile alcaline o batterie ricaricabili.
4. Montare sul veicolo la batteria completamente carica.
5. Accendere il trasmettitore e poi il veicolo. Aspettare 5 secondi in modo che l'ESC possa inicializzarsi. Accendere sempre il trasmettitore prima del veicolo e spegnerlo dopo aver spento il veicolo.
6. Verificare che i comandi e i servi che li controllano si muovano nella giusta direzione.
7. Guidare il veicolo.
8. Eseguire tutte le manutenzioni necessarie.

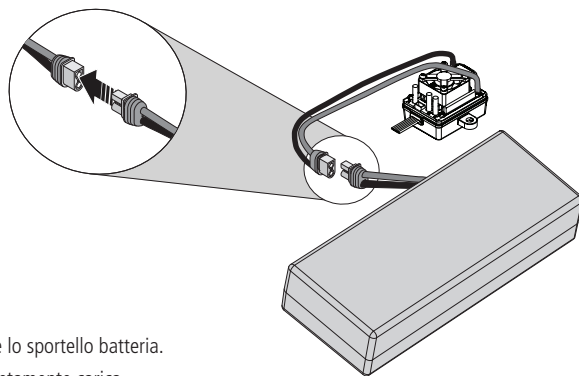
CARICA DELLA BATTERIA

Scegliere una batteria ideata per lavorare con l'ESC Brushless Spektrum Firma SMART 130 A (SPMXSE1130). Si consiglia una batteria hardcase Spektrum 5000 mAh 2S 7,4 V 50C SMART LiPo con connettore IC5 (SPMX50002S50H5). Scegliere un caricabatterie adatto alle batterie LiPo 2S. Si consiglia il caricabatterie CA a due uscite Spektrum SMART 1x100 W (SPMXC1080). Fare riferimento ai manuali di batteria e caricabatterie per istruzioni su utilizzo, sicurezza e carica.

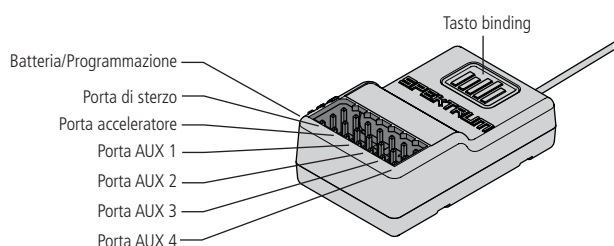
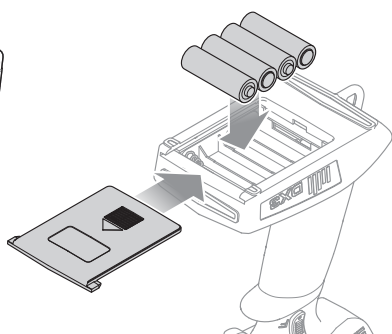
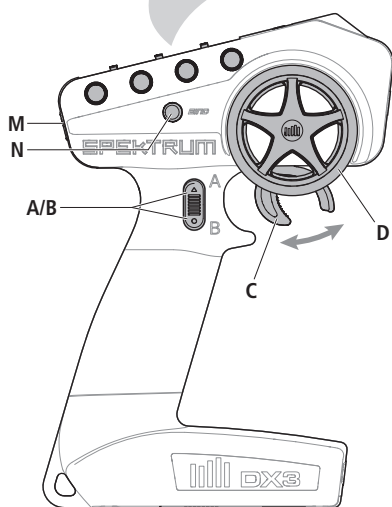
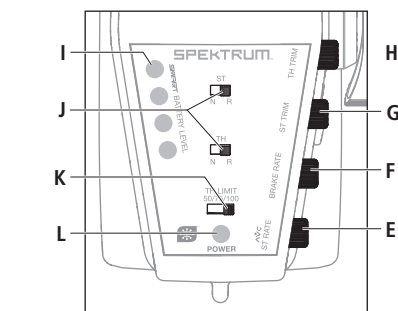
METTERE LA BATTERIA



1. Accertarsi che l'ESC sia spento.
2. Spostare la chiusura a destra per aprire lo sportello batteria.
3. Mettere sul veicolo una batteria completamente carica.
4. Collegare la batteria all'ESC.
5. Chiudere lo sportello batteria e spostare la chiusura a sinistra per serrare.
6. Accendere prima il trasmettitore e poi il veicolo.



SISTEMA RADIO SPEKTRUM DX3 ACTIVE



A/B. Tasto Canale 3

C. Gas/Freno

D. Volantino sterzo

E. Rateo sterzo - Regola il fine corsa dello sterzo

F. Rateo freno - Regola il fine corsa del freno.

G. Trim sterzo - Regola il punto centrale dello sterzo. Il trim dello sterzo è solitamente regolato fino a ottenere la marcia del veicolo in linea retta.

H. Trim gas - Regola il punto neutro del gas

I. Indicatore di livello della batteria SMART

J. Inversione corsa servo - Per invertire i canale di gas (TH) o sterzo (ST), impostare il corrispondente interruttore su "N" per normale, "R" per inversione.

K. Limite gas - Limita la potenza del motore al 50/75/100% Selezionare 50% o 75% per i piloti meno esperti e quando si pilota il modello in spazi ridotti.

L. LED On/Off

- **Luci rosse fisse:** connessione radio presente e carica della batteria adeguata
- **Luci rosse lampeggianti:** la tensione della batteria è eccessivamente bassa. Sostituire le batterie

M. Pulsante di accensione

N. Tasto di binding

INSTALLAZIONE PILE TRASMETTITORE

Per questo trasmettitore servono 4 pile AA.

1. Togliere il coperchio del portapile dal trasmettitore.
2. Inserire le pile come illustrato.
3. Rimettere a posto il coperchio del portapile.

- ⚠ **ATTENZIONE:** non rimuovere mai le batterie dal trasmettitore mentre il modello è acceso. Una perdita di controllo del modello, danni o lesioni potrebbe verificare.
- ⚠ **ATTENZIONE:** se si usano anche le batterie ricaricabili, si raccomanda di caricare solo queste. È pericoloso caricare le pile a secco perché potrebbero esplodere causando lesioni e/o danni.
- ⚠ **ATTENZIONE:** se le batterie vengono sostituite con tipi non adatti, potrebbero esplodere. Le batterie si devono smaltire nel modo corretto secondo le disposizioni locali.

RICEVENTE SR6200A CON TECNOLOGIA AVC

CANALI AUX

I canali AUX possono controllare dei servi aggiuntivi oppure alimentare un transponder personale.

Se l'AVC è attivo, sono operativi solo quattro canali: sterzo, motore, AUX3 e AUX4. I rimanenti canali AUX possono essere utilizzati per alimentare luci o un transponder personale.

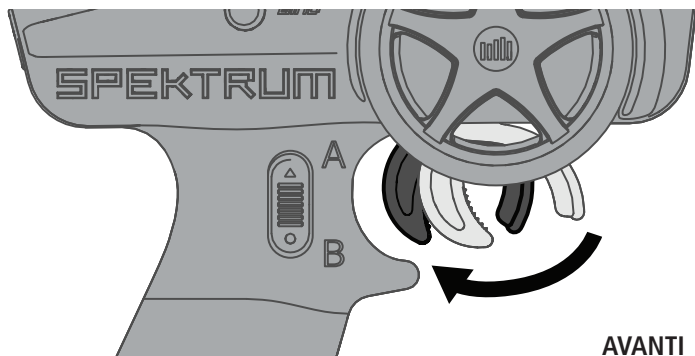
Se l'AVC non è attivo (si veda il relativo paragrafo sul manuale), i canali AUX si possono usare per comandare dei servi aggiuntivi.

RICEVITORE CON STABILIZZATORE

AVC – CONTROLLO ATTIVO DEL VEICOLO

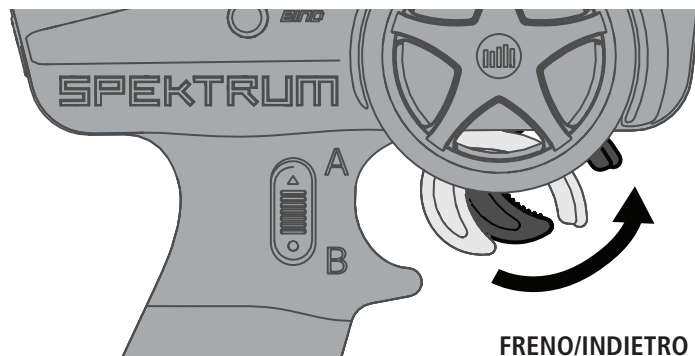
Il ricevitore Spektrum utilizza la tecnologia AVC (Controllo Attivo del Veicolo) che corrisponde al controllo di trazione sui veicoli in scala 1:1. Oltre al controllo della trazione, la tecnologia AVC migliora anche la stabilità dello sterzo ad alta velocità o su terreni sconnessi. Aumentando la sensibilità AVC, il sistema aumenta la stabilità dello sterzo e il controllo sulla trazione, simile alla riduzione di corsa sullo sterzo in un trasmettitore computerizzato. Riducendo il valore di sensibilità si aumenta la quantità di comando dello sterzo da parte del trasmettitore. Inoltre il ricevitore permette di inserire o togliere rapidamente l'AVC, utile specialmente durante le gare.

IMPORTANTE: Con il ricevitore AVC bisogna usare dei servi digitali. Non usare dei servocomandi analogici. Riducono la prestazione e possono causare il surriscaldamento del sistema.



CALIBRAZIONE DEL RICEVITORE

1. Posare il veicolo su di una superficie piana e livellata ed inserire il connettore "bind plug" nella porta BIND del ricevitore.
2. Collegare all'ESC una batteria completamente carica.
3. Accendere l'ESC. Il LED arancio lampeggia, indicando che il ricevitore è in modalità "bind."
4. Centrare i pommelli ST TRIM e TH TRIM sul trasmettitore.
5. Tenere premuto il tasto BIND mentre si accende il trasmettitore.
6. Quando il LED arancio lampeggia lentamente, rilasciare il tasto BIND. Quando il LED arancio diventa fisso, significa che trasmettitore e ricevitore sono connessi.
7. Tirare il grilletto del trasmettitore portando il motore al massimo.
8. Spingere il grilletto del trasmettitore portando il freno al massimo. Poi riportare il grilletto al centro.
9. Portare il volantino del trasmettitore completamente a destra.
10. Portare il volantino del trasmettitore completamente a sinistra. Poi riportare il volantino al centro. Il LED arancio lampeggia una volta.
11. Togliere il "bind plug," poi spegnere il ricevitore per salvare le impostazioni.
12. Spegnerne il trasmettitore.



PRECAUZIONI NELLA GUIDA

- Durante la guida mantenere sempre il veicolo bene in vista.
- Periodicamente ispezionare bene il veicolo per controllare eventuali viti allentate.
- Periodicamente ispezionare bene il gruppo dello sterzo per verificare i giochi. La guida in fuori strada è fonte di colpi e vibrazioni.
- Non mandare il veicolo nell'erba alta, perché si potrebbe danneggiare sia la parte meccanica che quella elettronica.
- Smettere di guidare quando si nota una diminuzione di potenza. Quando la batteria si scarica il ricevitore smette di funzionare e si perde il controllo del veicolo con possibili danni al veicolo stesso o alle cose e persone circostanti. Questo tipo di danni non è coperto dalla garanzia.

ATTENZIONE: Se non si utilizza questo prodotto con attenzione e non si osservano le seguenti avvertenze, potrebbero verificarsi malfunzionamenti, problemi elettrici, eccessivo sviluppo di calore, incendi e, in definitiva, lesioni e danni materiali.

- Non comandare avanti o indietro il veicolo se è bloccato, altrimenti si potrebbe danneggiare sia il motore che il regolatore.
- Dopo aver usato il veicolo per un certo periodo, attendere che le parti elettroniche si raffreddino prima di usarlo di nuovo.

IMPORTANTE: Tenere lontano i cavi da tutte le parti mobili.

ACCENSIONE DEL VEICOLO

1. Centrare i pommelli ST TRIM e TH TRIM sul trasmettitore.
2. Accendere il trasmettitore.
3. Togliere la carrozzeria dal veicolo.
4. Collegare all'ESC una batteria completamente carica.
5. Accendere l'ESC.

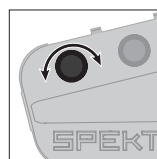
IMPORTANTE: Il veicolo DEVE restare immobile per almeno 5 secondi su di una superficie piana e livellata.

PRIMA DI USARE IL VEICOLO

1. Verificare che tutto il sistema delle sospensioni si muova liberamente. Qualsiasi parte bloccata o frenata non permette al veicolo di dare le sue prestazioni migliori.
2. Caricare la batteria. Caricare sempre la batteria come dalle istruzioni allegate alla batteria o al caricabatterie.
3. Settare il trim dello sterzo. Seguire le istruzioni su come settare il trim/subtrim, in modo che il vostro veicolo viaggi dritto senza dover agire sul radiocomando.
4. Eseguire un controllo della direzione dei comandi.

REGOLAZIONE DEL VALORE DI SENSIBILITÀ

Il pommello ST RATE regola la sensibilità, ovvero la stabilità sul ricevitore. Se si aumenta la sensibilità, il sistema AVC diventa maggiormente sensibile agli spostamenti laterali del veicolo. Bisognerebbe usare la sensibilità massima quando si va ad alta velocità e si vuole che il veicolo vada dritto. Man mano che la sensibilità aumenta, la corsa dello sterzo diminuisce.



Girare in senso antiorario il pommello ST RATE per ridurre la sensibilità.

Girare in senso orario il pommello ST RATE per aumentare la sensibilità.

IMPORTANTE: Il pommello ST RATE regola la sensibilità solo quando il trasmettitore è connesso ad un ricevitore DSMR. Quando il trasmettitore è connesso ad un ricevitore DSM, DSM2 o DSM marino, il pommello ST RATE controlla il riduttore di corsa dello sterzo.

DISABILITARE TECNOLOGIA AVC

Se si partecipa a certe gare, potrebbe essere richiesta la disattivazione dell'AVC. Per fare questo bisogna:

1. Inserire il "bind plug" nella porta BIND del ricevitore.
2. Inserire un secondo "bind plug" nella porta DISABLE del ricevitore.
3. Collegare all'ESC una batteria completamente carica.
4. Accendere l'ESC. Il LED arancio lampeggia, indicando che il ricevitore è in modalità "bind."
5. Centrare i pommelli ST TRIM e TH TRIM sul trasmettitore.
6. Tenere premuto il tasto BIND mentre si accende il trasmettitore.
7. Quando il LED arancio lampeggia lentamente, rilasciare il tasto BIND. Quando il LED arancio diventa fisso, significa che trasmettitore e ricevitore sono connessi.
8. Tirare il grilletto del trasmettitore portando il motore al massimo.
9. Spingere il grilletto del trasmettitore portando il freno al massimo. Poi riportare il grilletto al centro.
10. Portare il volantino del trasmettitore completamente a destra.
11. Portare il volantino del trasmettitore completamente a sinistra. Poi riportare il volantino al centro. Il LED arancio lampeggia una volta.
12. Togliere i due "bind plug," poi spegnere il ricevitore per salvare le impostazioni. Il ricevitore lampeggerà in continuazione per indicare che L'AVC è stato disabilitato.
13. Spegnere il trasmettitore.

IMPORTANTE: Bisogna calibrare il trasmettitore tutte le volte che lo si mette in modalità "bind." Per attivare l'AVC, si veda la sezione "Calibrazione del ricevitore."

TEMPO DI UTILIZZO

Il fattore più importante nel tempo di funzionamento è la capacità della batteria; più sono i mAh contenuti, maggiore sarà il tempo di utilizzo per ogni carica.

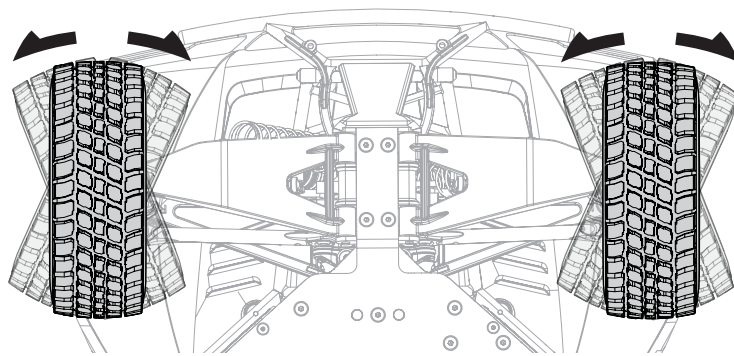
Anche le condizioni di una batteria hanno influenza sia sulla durata che sulla velocità. I connettori della batteria potrebbero scaldarsi durante il funzionamento. Le batterie perdono le loro caratteristiche man mano che si usano.

Ripetute partenze da fermo con accelerazioni violenti, nel tempo possono danneggiare sia la batteria che i componenti elettronici. Le forti accelerazioni riducono anche il tempo di utilizzo per ogni singola ricarica.

PER MIGLIORARE LA DURATA DI FUNZIONAMENTO

- Mantenere il veicolo sempre pulito e con una frequente manutenzione.
- Favorire il flusso dell'aria sull'ESC e sul motore.
- Cambiare gli ingranaggi per avere una riduzione più alta e diminuire le temperature delle parti elettroniche. Quindi usare un pignone più piccolo o una corona più grande per aumentare la riduzione.
- Usare una batteria con maggiore capacità in mAh.
- Usare un caricabatterie adatto alla batteria usata (consultare il proprio rivenditore per maggiori informazioni).

ESEGUIRE UN CONTROLLO DELLA DIREZIONE DEI COMANDI



Eseguire una verifica con le ruote del veicolo sollevate dal suolo. Se le ruote girano appena dopo che il veicolo è stato acceso, regolare il TH TRIM finché si fermano. Per far muovere le ruote in avanti, tirare il grilletto. Per invertire il moto, attendere che le ruote si fermano, poi spingere il grilletto. Quando si muovono in avanti, le ruote dovrebbero mantenere una linea dritta senza intervenire sullo sterzo. In caso contrario, regolare lo ST TRIM per correggere.

CAMBIARE I PARAMETRI DI REGOLAZIONE DELLA CORSA

1. Tenere il grilletto nella posizione di freno massimo e girare il volantino completamente a destra mentre si accende il trasmettitore. Il LED lampeggia rapidamente indicando che è attivo il modo programmazione.
2. Fine corsa motore: Mantenendo il motore al massimo, girare il pommello TH TRIM per regolare il fine corsa del motore al massimo.
3. Fine corsa freno: Mantenendo il grilletto nella posizione di freno massimo, girare il pommello TH TRIM per regolare il fine corsa del freno al massimo.
4. Fine corsa sterzo a sinistra: Mantenendo il volantino tutto a sinistra, girare il pommello ST TRIM per regolare il fine corsa dello sterzo a sinistra.
5. Fine corsa sterzo a destra: Mantenendo il volantino tutto a destra, girare il pommello ST TRIM per regolare il fine corsa dello sterzo a destra. Riportare il volantino al centro.
6. Spegnere il trasmettitore per salvare le regolazioni delle corse. La corsa minima è al 75%, quella massima al 150%.

IMPORTANTE: se la corsa viene cambiata sul DX2E, bisogna rifare la connessione e calibrare il ricevitore.

ESC BRUSHLESS SPEKTRUM FIRMA SMART 130 A (SPMXSE1130)

SPECIFICHE

Tipo	Senza sensori, SMART Throttle compatibile
Uscita	130 A/760 A
Funzione	Avanti/Freno—Avanti/Freno Indietro
Tensione di ingresso	7,4 V—14,8 V
Uscita BEC	6 V/4 A
Dimensioni (LxPxH)	57,5 mm x 46 mm x 38 mm
Peso	154 g

STATO LED ESC

- I LED dell'ESC rimangono spenti se non vi sono segnali in ingresso dalla trasmittente all'acceleratore.
- Il LED ESC rosso si accende quando la trasmittente invia segnali all'acceleratore.

SEGNALI ACUSTICI DI AVVERTIMENTO

1. **Tensione d'ingresso:** se acceso, l'ESC controlla la tensione di ingresso. Se rileva un problema di tensione, l'ESC emette ripetutamente 2 toni acustici con una pausa di 1 secondo (xx-xx-xx). Spegnere l'ESC, assicurarsi che i collegamenti siano saldi e che la carica della batteria non sia così bassa da non poter assicurare un funzionamento sicuro.
2. **Collegamento radio:** se acceso, l'ESC controlla l'ingresso del segnale radio. Se viene rilevato un problema, l'ESC emette ripetutamente 1 tono acustico con una pausa di 2 secondi (x--x--x). Spegnere l'ESC e assicurarsi che il sistema radio funzioni correttamente.

AVVISO: scollegare sempre la batteria dall'ESC quando si ripone il modello dopo l'uso. L'interruttore dell'ESC controlla solamente l'alimentazione della ricevente e del servo. Se connesso alla batteria, l'ESC continua ad assorbire corrente, con rischio di danni alla batteria dovuti a scaricamento eccessivo.

PROCEDURA DI CALIBRAZIONE DELL'ESC

Completare la procedura di binding tra trasmittente e ricevente prima di calibrare l'ESC.

1. Impostare il canale del motore della trasmittente sul 100% della corsa e centrare il trim del motore.
2. Collegare una batteria al cavo per la batteria dell'ESC.
3. Accendere la trasmittente.
4. Premere e tenere premuto il pulsante SET, quindi accendere l'ESC. Rilasciare il tasto SET quando il LED rosso inizia a lampeggiare, indicando che l'ESC è in modalità di calibrazione. L'ESC entra in modalità di programmazione se il tasto viene tenuto premuto per più di tre secondi.

CONSIGLIO: il LED rosso deve lampeggiare quando l'ESC entra in modalità di calibrazione. Se il LED verde lampeggia, l'ESC è entrato in modalità di programmazione. Spegnere l'ESC e ripetere il passo 4, rilasciando il tasto SET quando il LED rosso inizia a lampeggiare.

5. Con il grilletto del gas sulla trasmittente in posizione neutra, premere e rilasciare il tasto SET dell'ESC. Il LED rosso smette di lampeggiare, il LED verde lampeggia una volta e il motore emette un segnale acustico per indicare che la posizione neutra è stata accettata.
6. Tenendo il grilletto del gas sulla trasmittente completamente premuto, premere e rilasciare il tasto SET dell'ESC. Il LED verde lampeggia due volte e il motore emette due segnali acustici per indicare che la posizione tutto gas è stata accettata.
7. Tenendo il grilletto del gas sulla trasmittente in posizione di piena frenata, premere e rilasciare il tasto SET. Il LED verde lampeggia tre volte e il motore emette tre segnali acustici per indicare che la posizione di piena frenata è stata accettata.

Il motore funzionerà normalmente una volta completata la calibrazione.

FUNZIONI E MODALITÀ ESC

L'ESC include delle opzioni di programmazione che consentono di regolare le prestazioni del veicolo. Consultare la tabella di programmazione allegata per regolare l'ESC in base alle condizioni di guida.

TABELLA DI PROGRAMMAZIONE

■ Impostazioni predefinite

ELEMENTI PROGRAMMABILI	VALORE PROGRAMMABILE								
	1	2	3	4	5	6	7	8	9
1. Modalità di funzionamento	Avanti con freno	Avanti/Indietro con freno	Avanti/Indietro						
2. Forza frenante	0%	5%	10%	20%	40%	60%	80%	100%	
3. Soglia di spegnimento per bassa tensione	Nessuna protezione	2,6 V/Cella	2,8 V/Cella	3,0 V/Cella	3,2 V/Cella	3,4 V/Cella			
4. Modalità di avvio	Livello 1	Livello 2	Livello 3	Livello 4	Livello 5	Livello 6	Livello 7	Livello 8	Livello 9
5. Forza max del freno	25%	50%	75%	100%	disattivato				
6. Potenza max in retromarcia	25%	50%	75%	100%					
7. Forza iniziale del freno	= aerofreno	0%	20%	40%					
8. Campo neutro	6 % (stretto)	9 % (normale)	12 % (largo)						
9. Anticipo	0,00°	3,75°	7,50°	11,25°	15,00°	18,75°	22,50°	26,25°	
10. Rotazione del motore	Antioraria	Oraria							
11. Celle LiPo	Rilevamento automatico	2 celle	3 celle	4 celle	5 celle	6 celle			

PROCEDURA DI PROGRAMMAZIONE DELL'ESC

La programmazione si effettua tramite il pulsante SET sull'interruttore ON/OFF*.

1. Collegare una batteria completamente carica all'ESC.
2. Accendere la trasmittente.
3. Accendere l'ESC.
4. Tenere premuto il tasto SET fino a quando il LED verde lampeggia. Rilasciare il tasto SET per entrare in modalità programmazione.

CONSIGLIO: per riportare tutti gli elementi programmabili ai valori predefiniti, tenere premuto il pulsante SET per cinque secondi

5. Premere e rilasciare il pulsante SET come necessario per scorrere tra gli elementi programmabili. Il numero di volte in cui il LED verde lampeggia corrisponde al numero degli elementi programmabili indicato nella tabella di programmazione.
6. Quando si giunge all'elemento programmabile desiderato, tenere premuto il pulsante SET finché il LED rosso lampeggia per selezionare la voce.
7. Premere e rilasciare il pulsante SET per scorrere tra i valori disponibili per l'elemento programmabile in base al numero di volte che il LED lampeggia. Consultare la tabella di programmazione.
8. Salvare l'impostazione tenendo premuto il pulsante SET per 3 secondi.
9. Spegner l'ESC per uscire dalla modalità di programmazione o per cambiare altri elementi programmabili.

*Altre opzioni di programmazione includono la Programming Box Spektrum SMART Firma ESC (SPMXCA200) e l'applicazione per aggiornamenti e programmazione SmartLink USB. Vedere SpektrumRC.com per maggiori dettagli sull'ESC Spektrum SMART Firma.

DESCRIZIONI

1. Modalità di funzionamento

- *Solo avanti con freno*

Utilizzato principalmente nelle gare, permette solo il controllo della marcia avanti e del freno.

- *Marcia avanti/indietro con freno*

Questo è il modo base valido in tutte le situazioni, e permette il controllo della marcia avanti, indietro e del freno. Per passare dalla marcia avanti alla marcia indietro e viceversa, bisogna che il veicolo sia completamente fermo. Trovandosi in frenata o in marcia indietro, se si accelera il veicolo parte subito in avanti.

2. Forza frenante

Regola la quantità di freno che viene applicata automaticamente quando si riporta il comando motore al punto neutro. Questo simula il freno motore di un veicolo normale, migliorando il comportamento in curva e, in generale, la risposta ai comandi.

3. Spegnimento per bassa tensione

Questa funzione aiuta a prevenire la sovraccarica delle batterie. L'ESC controlla continuamente la tensione della batteria; se scende sotto la soglia minima per 2 secondi, la potenza viene tagliata e il LED rosso lampeggia 2 volte ripetutamente.

Il calcolo della soglia di spegnimento è basato sulla tensione delle singole celle LiPo. Per le batterie NiMH, se la loro tensione è superiore a 9,0 V, viene considerata come un pacco LiPo da 3 celle; se è inferiore a 9,0 V, sarà considerata come un pacco LiPo da 2 celle.

Esempio: per una batteria NiMH da 8,0 V usata con una soglia di 2,6V/cella, sarà considerata come una batteria LiPo da 2 celle e la soglia sarà 5,2 V (2,6 x 2 = 5,2). Usando la scheda di programmazione (DYN3005) opzionale, si possono regolare dei valori di soglia personalizzati. A differenza dei valori preselezionati, i valori personalizzati valgono per la tensione totale della batteria, non per le celle singole.

4. Modalità di accelerazione all'avvio (Throttle Punch)

Stabilisce l'accelerazione iniziale quando l'auto si avvia. Il livello 1 dà una accelerazione molto debole, mentre il livello 9 dà una accelerazione molto forte. Quando si usano i livelli 7, 8 o 9 bisogna utilizzare batterie di elevata potenza, in caso contrario non sarebbero in grado di fornire tutta la potenza richiesta dalla forte accelerazione.

5. Massima forza del freno

Regola la forza massima di frenata. Un valore alto consente frenate brusche, ma potrebbe causare il bloccaggio delle ruote, con perdita di controllo dell'auto.

6. Potenza massima in retromarcia

Questo parametro regola la massima potenza disponibile per la retromarcia.

7. Forza minima iniziale del freno

Regola la potenza minima della frenata. Il valore di default è uguale alla forza frenante del punto 2. Un valore troppo alto potrebbe bloccare le ruote in frenata.

8. Campo neutro

Regola la sensibilità del comando motore intorno al punto neutro. Un valore alto richiede un movimento più ampio del comando motore prima che il veicolo inizi a muoversi avanti, indietro o a frenare.

9. Anticipo

Regola l'anticipo del motore. Un valore alto significa maggiori prestazioni, però diminuisce l'efficienza e potrebbe causare un sovraccarico sia del motore che dell'ESC.

AVVISO: verificare sempre che l'anticipo del motore sia regolato nel modo giusto, altrimenti si potrebbero verificare danni al motore e all'ESC. Fare sempre riferimento alle indicazioni del costruttore del motore.

I seguenti elementi programmabili richiedono la scheda di programmazione ESC opzionale:

La disponibilità degli elementi **10 e 11** è soggetta all'aggiornamento del firmware dell'ESC e della scheda di programmazione.

12. Verso di rotazione del motore

Permette di cambiarlo senza toccare i fili di collegamento tra motore e regolatore (ESC).

13. Celle LiPo

Permette di fare riconoscere automaticamente all'ESC o di impostare manualmente il numero di celle del pacco batteria Li-Po.

SPEKTRUM FIRMA 3800KV MOTORE BRUSHLESS

PRECAUZIONI

- Non toccare mai le parti rotanti.
- Non smontare con la batteria collegata.
- Lasciarlo raffreddare prima di toccarlo.

RIDUTTORE

Questo veicolo viene fornito con la riduzione ottimizzata per la configurazione disponibile. Ha il bilanciamento ideale tra velocità, potenza ed efficienza. Se si vuole personalizzare il veicolo con batterie e motore opzionali, è necessario cambiare il pignone o la corona.

Montando un pignone con meno denti o una corona con più denti si avrà una coppia maggiore, ma la velocità massima viene ridotta. Allo stesso modo, aumentando i denti del pignone o riducendo quelli della corona si avrà meno coppia ma maggiore velocità. Bisogna fare attenzione quando si montano pignoni troppo grandi perché si potrebbe sovraccaricare sia motore che regolatore (ESC) con conseguente surriscaldamento di entrambi. Quindi, quando si provano varie combinazioni di corona e pignone, bisogna tenere sotto controllo la temperatura di motore e regolatore per essere certi che rimanga entro i valori sopportati. Sia motore che regolatore non devono essere troppo caldi da non poterli toccare. Se le temperature fossero troppo alte bisogna sostituire il pignone con uno più piccolo e/o la corona con una più grande.

GUIDA ALLA RISOLUZIONE DEI PROBLEMI

PROBLEMA	POSSIBILI CAUSE	SOLUZIONE
Il veicolo non funziona	Batteria scarica o scollegata	Caricare/collegare la batteria
	Interruttore ESC non su ON	Accendere ESC
	Trasmettitore spento o con batterie scariche	Accendere o sostituire le batterie
Il motore gira ma le ruote posteriori non girano	Il pignone non ingrana con la corona	Regolare il gioco tra pignone e corona
	Il pignone slitta sull'albero motore	Stringere il grano del pignone sulla zona piatta dell'albero
	Ingranaggi trasmissione sgranati	Sostituire gli ingranaggi della trasmissione
	Spinotto di trascinamento rotto	Sostituire lo spinotto
Lo sterzo non funziona	Il connettore del servo non è correttamente inserito nel ricevitore	Verificare che il connettore del servo sia inserito bene e nel canale giusto sul ricevitore
	Ingranaggi o motore del servo, danneggiati	Sostituire o riparare il servo
Non sterza in una direzione	Ingranaggi del servo danneggiati	Sostituire o riparare il servo
Il motore non gira	I fili del motore non sono saldati bene	Rifare la saldatura con l'attrezzatura giusta
	Fili del motore rotti	Riparare o sostituire se necessario
	Regolatore (ESC) danneggiato	Contattare l'assistenza Horizon Hobby
Il regolatore (ESC) si scalda	Ingranaggi sul motore con passo troppo lungo	Usare un pignone più piccolo o una corona più grande
	Trasmissione legata	Verificare eventuali legature sulle ruote o la trasmissione
Tempo di funzionamento scarso o accelerazione fiacca	Batteria non completamente carica	Ricaricare la batteria
	Il caricabatterie non fornisce una carica completa	Provare con un altro caricabatterie
	Trasmissione legata	Verificare eventuali legature sulle ruote o la trasmissione
Portata scarsa e/o disturbi	Batterie trasmettitore scariche	Verificare e sostituire
	Batteria del veicolo scarica	Ricaricare la batteria
	Connettori o fili allentati	Verificare tutti i fili e le connessioni

GARANZIA

Periodo di garanzia

Garanzia esclusiva - Horizon Hobby, LLC (Horizon) garantisce che il prodotto acquistato (il "Prodotto") sarà privo di difetti relativi ai materiali e di eventuali errori di montaggio alla data di acquisto. Il periodo di garanzia è conforme alle disposizioni legali del paese nel quale il prodotto è stato acquistato. Tale periodo di garanzia ammonta a 6 mesi e si estende ad altri 18 mesi dopo tale termine.

Limiti della garanzia

- (a) La garanzia è limitata all'acquirente originale (Acquirente) e non è cedibile a terzi. L'acquirente ha il diritto a far riparare o a far sostituire la merce durante il periodo di questa garanzia. La garanzia copre solo quei prodotti acquistati presso un rivenditore autorizzato Horizon. Altre transazioni di terze parti non sono coperte da questa garanzia. La prova di acquisto è necessaria per far valere il diritto di garanzia. Inoltre, Horizon si riserva il diritto di cambiare o modificare i termini di questa garanzia senza alcun preavviso e di escludere tutte le altre garanzie già esistenti.
- (b) Horizon non si assume alcuna garanzia per la disponibilità del prodotto, per l'adeguatezza o l'idoneità del prodotto a particolari previsti dall'utente. È sola responsabilità dell'acquirente il fatto di verificare se il prodotto è adatto agli scopi da lui previsti.
- (c) Richiesta dell'acquirente – spetta soltanto a Horizon, a propria discrezione riparare o sostituire qualsiasi prodotto considerato difettoso e che rientra nei termini di garanzia. Queste sono le uniche rivalse a cui l'acquirente si può appellare, se un prodotto è difettoso.

Horizon si riserva il diritto di controllare qualsiasi componente utilizzato che viene coinvolto nella rivalsa di garanzia. Le decisioni relative alla sostituzione o alla riparazione sono a discrezione di Horizon. Questa garanzia non copre dei danni superficiali o danni per cause di forza maggiore, uso errato del prodotto, un utilizzo che viola qualsiasi legge, regolamentazione o disposizione applicabile, negligenza, uso ai fini commerciali, o una qualsiasi modifica a qualsiasi parte del prodotto.

Questa garanzia non copre danni dovuti ad un'installazione errata, ad un funzionamento errato, ad una manutenzione o un tentativo di riparazione non idonei a cura di soggetti diversi da Horizon. La restituzione del prodotto a cura dell'acquirente, o da un suo rappresentante, deve essere approvata per iscritto dalla Horizon.

Limiti di danno

Horizon non si riterrà responsabile per danni speciali, diretti, indiretti o consequenziali; perdita di profitto o di produzione; perdita commerciale connessa al prodotto, indipendentemente dal fatto che la richiesta si basa su un contratto o sulla garanzia. Inoltre la responsabilità di Horizon non supera mai in nessun caso il prezzo di acquisto del prodotto per il quale si chiede la responsabilità. Horizon non ha alcun controllo sul montaggio, sull'utilizzo o sulla manutenzione del prodotto o di combinazioni di vari prodotti. Quindi Horizon non accetta nessuna responsabilità per danni o lesioni derivanti da tali circostanze. Con l'utilizzo e il montaggio del prodotto l'utente acconsente a tutte le condizioni, limitazioni e riserve di garanzia citate in questa sede.

Qualora l'utente non fosse pronto ad assumersi tale responsabilità associata all'uso del prodotto, si suggerisce di restituire il prodotto intatto, mai usato e immediatamente presso il venditore.

Indicazioni di sicurezza

Questo è un prodotto sofisticato di hobbistica e non è un giocattolo. Esso deve essere manipolato con cautela, con giudizio e richiede delle conoscenze basilari di meccanica e delle facoltà mentali di base. Se il prodotto non verrà manipolato in maniera sicura e responsabile potrebbero risultare delle lesioni, dei gravi danni a persone, al prodotto o all'ambiente circostante. Questo prodotto non è concepito per essere usato dai bambini senza una diretta supervisione di un adulto. Il manuale del prodotto contiene le istruzioni di sicurezza, di funzionamento e di manutenzione del prodotto stesso. È fondamentale leggere e seguire tutte le istruzioni e le avvertenze nel manuale prima di mettere in funzione il prodotto. Solo così si eviterà un utilizzo errato e si preverranno incidenti, lesioni o danni.

Domande, assistenza e riparazioni

Il vostro negozio locale e/o luogo di acquisto non possono fornire garanzie di assistenza o riparazione senza previo colloquio con Horizon. Questo vale anche per le riparazioni in garanzia. Quindi in tali casi bisogna interpellare un rivenditore, che si metterà in contatto subito con Horizon per prendere una decisione che vi possa aiutare nel più breve tempo possibile.

Manutenzione e riparazione

Se il prodotto deve essere ispezionato o riparato, si prega di rivolgersi ad un rivenditore specializzato o direttamente ad Horizon. Il prodotto deve essere imballato con cura. Bisogna far notare che i box originali solitamente non sono adatti per effettuare una spedizione senza subire alcun danno. Bisogna effettuare una spedizione via corriere che fornisce una tracciabilità e un'assicurazione, in quanto Horizon non si assume alcuna responsabilità in relazione alla spedizione del prodotto. Inserire il prodotto in una busta assieme ad una descrizione dettagliata degli errori e ad una lista di tutti i singoli componenti spediti. Inoltre abbiamo bisogno di un indirizzo completo, di un numero di telefono per chiedere ulteriori domande e di un indirizzo e-mail.

Garanzia a riparazione

Le richieste in garanzia verranno elaborate solo se è presente una prova d'acquisto in originale proveniente da un rivenditore specializzato autorizzato, nella quale è ben visibile la data di acquisto. Se la garanzia viene confermata, allora il prodotto verrà riparato o sostituito. Questa decisione spetta esclusivamente a Horizon Hobby.

Riparazioni a pagamento

Se bisogna effettuare una riparazione a pagamento, effettueremo un preventivo che verrà inoltrato al vostro rivenditore. La riparazione verrà effettuata dopo l'autorizzazione da parte del vostro rivenditore. La somma per la riparazione dovrà essere pagata al vostro rivenditore. Le riparazioni a pagamento avranno un costo minimo di 30 minuti di lavoro e in fattura includeranno le spese di restituzione. Qualsiasi riparazione non pagata e non richiesta entro 90 giorni verrà considerata abbandonata e verrà gestita di conseguenza.



ATTENZIONE: Le riparazioni a pagamento sono disponibili solo sull'elettronica e sui motori. Le riparazioni a livello meccanico, soprattutto per gli elicotteri e le vetture RC, sono molto costose e devono essere effettuate autonomamente dall'acquirente.

10/15

Garanzia e Assistenza informazioni per i contatti

Stato di acquisto	Horizon Hobby	Telefono/Indirizzo e-mail	Indirizzo
EU	Horizon Technischer Service Sales: Horizon Hobby GmbH	service@horizonhobby.eu +49 (0) 4121 2655 100	Hanskampring 9 D 22885 Barsbüttel, Germany

INFORMAZIONI SULLA CONFORMITÀ PER L'UNIONE EUROPEA

CE Dichiarazione di conformità UE:
LOSI FORD RAPTOR BAJA RAY KING SHOCKS, RTR: 1/10 4WD (LOS03020V2T1) Con la presente, Horizon Hobby, LLC dichiara che il dispositivo è conforme a quanto segue:
 Direttiva europea sulle apparecchiature radio (RED) 2014/53/UE, Direttiva RoHS 2 2011/65 / UE, Direttiva RoHS 3 - Modifica 2011/65 / UE allegato II 2015/863.

NOTA: questo prodotto contiene batterie coperte dalla direttiva europea 2006/66 / CE, che non possono essere smaltite con i rifiuti domestici. Attenersi alle normative locali.

Il testo completo della dichiarazione di conformità UE è disponibile al seguente indirizzo internet: <https://www.horizonhobby.com/content/support-render-compliance>.

Trasmettitore:

Band: 2402.0-2478.0MHz
 Max EIRP: 17.5 dBm

Ricevente:

Band: 2402-2478MHz
 Max EIRP: 20 dBm

Produttore ufficiale dell'UE:

Horizon Hobby, LLC
 2904 Research Road
 Champaign, IL 61822 USA

Importatore ufficiale dell'UE:

Horizon Hobby, GmbH
 Hanskampring 9
 22885 Barsbüttel Germany

AVVISO RAEE:



Questo dispositivo è marcato ai sensi della Direttiva europea 2012/19/UE riguardante i rifiuti di apparecchiature elettriche ed elettroniche (RAEE). Il simbolo indica che il prodotto non va smaltito insieme ai rifiuti domestici. Il prodotto deve essere consegnato agli appositi centri di raccolta per consentirne il recupero e il riciclaggio.

Replacement Parts // Teileliste // Liste des pièces de rechange // Elenco dei ricambi

Part #	English	Deutsch	Français	Italiano
SPMXSE1130	Spektrum Firma 130A Sensorless Brushless WP Smart ESC	Firma 130 A Bürstenloser Smart-Geschwindigkeitsregler	Variateur ESC sans balais 130 A Smart Firma	Smart ESC Firma 130 A Brushless
SPMXSM2900	Spektrum Firma BL 4 Pole Motor, 3800Kv	Spektrum Firma BL 4-poliger Motor 3800Kv	Moteur sans balais 4 pôles 3 800 Kv Spektrum Firma	Motore Spektrum Firma BL 4 poli, 3800 Kv
LOSA3573	1.0 Module Pitch Pinion, 13T	Ritzel Modul 1, 13T	Pignon modulaire 1.0, 13 dents	Pignone a passo modulare 1.0, 13 denti
LOSA6250	Set Screws, 4mm & 5mm (6)	Madenschrauben 4 & 5 mm (je 6)	Vis, 4mm et 5mm (6 chacun)	Grani, 4 mm e 5 mm (6 cad.)
LOSA6937	5x10mm Sealed Ball Bearing (2)	Kugellager, gekapselt 5 x10mm	Roulements à billes scellés 5x10mm (2)	Cuscinetto a sfere sigillato 5x10 mm (2)
LOSA6955	5x13mm HD Clutch Bearings (2)	5x13mm HD Kupplungslager (2)	Roulements à embrayage ultra-résistants 5x13 mm (2)	Cuscinetti frizione HD 5 x 13 mm (2)
LOSA6940	6x12mm Sealed Ball Bearing (4)	Kugellager, gekapselt 6 x12mm (4)	Roulements à billes scellés 6x12mm (4)	Cuscinetto a sfere sigillato 6x12 mm (4)
LOSA6956	12x18x4mm Sealed Ball Bearing (2)	Kugellager gekapselt 12 x18x 4mm	Roulements à billes scellés 12x18x4mm (2)	Cuscinetto a sfere sigillato 12x18x4 mm (2)
LOSA6957	10x15x4mm Bearing	Kugellager 5 x 10 x 4mm (2)	Roulements 5 x 10 x 4mm (2)	10x15x4mm Cuscinetti 5 x 10 x 4mm (2)
LOSB3008	3x6x2.5mm Ball Bearing (2)	Kugellager, 3x6x2.5mm (2)	Roulements à billes 3x6x2.5mm (2)	Cuscinetto a sfere 3x6x2,5 mm (2)
LOS43025	Alpine Wheel and Tire Mounted (2)	Montiertes Alpin-Rad und Reifen (2)	Support volant et pneu alpin (2)	Ruota alpina con pneumatico montato (2)
LOS230010	Roll Cage Sides L&R	Überrollbügelteile links und rechts	Faces latérales gauche et droite de l'arceau cage	Parti laterali roll cage D&S
LOS230011	Top Bar, X-Bar,Cover & Tire Moun	Obere Abdeckung, X-Abdeckung	Barre supérieure, Barre X, protection et support pneu	Barra superiore, barra a X, copertura e supporto gomma
LOS230012	Fr Bar, RR Body Mnt Bar, Bumper, Tower Support	Karosserieteil hinten Stoßfänger	Barre avant, barre de support de carrosserie arrière, support	Barra ant., barra supporto carrozz. post., parauro, montante torretta
LOS230013	Body Button Base & Top (22)	Body Button Base & Top (22)	Anneaux de protection de carrosserie (22)	Body Button Base & Top (22): Baja Rey
LOS230020	Interior Set with Helmets, Clear	Interiorset mit Helmen, transparent	Décoration intérieure avec casques, transparente	Set interni con caschi, trasparente
LOS230066	King Shocks Raptor Body Set	King Shocks Raptor-Karoseriesatz	Ensemble de carrosserie King Shocks Raptor	Set carrozzeria King Shocks Raptor
LOS230067	Black Rhino Raptor Body Set	Black Rhino Raptor-Karoseriesatz	Ensemble de carrosserie Black Rhino Raptor	Set carrozzeria Black Rhino Raptor
LOS230068	Ford Raptor Body Adaptor Set	Ford Raptor Body Karosserie-Adapterset	Ensemble d'adaptateur de carrosserie Ford Raptor	Set adattatore carrozzeria Ford Raptor
LOS230069	Rear Red LED Light Bar	Rote LED-Leuchtbalken, hinten	Barre d'éclairage à DEL arrière rouge	Barra a LED rossa posteriore
LOS231005	Rear Bulkhead,Fan Panel, Mudguards	Lüfterpanel, Schmutzfänger	Cloison arrière, ventilateur et bavettes	Paratia post., fan panel, parafango
LOS231006	Battery Tray,Door, Lock, 2S Spacer	Akkualter und Klappe, 2S Distanzstück	Support batterie, trappe, verrou et cales 2S	Vano batteria, portello, chiusura, distanziale 2S
LOS231007	Front Upper Arm/Shock Mount, RR Chassis Brace	Stoßdämpferbefestigung hinten mit Chassishalter	Triangle supérieur/fixation d'amortisseur avant, renfort arrière de châssis	Braccetto superiore ant. / supporto ammortizz., trapezio post.
LOS231008	Servo Mount, Steering Servo Set Plastic	Servohalter	Support servo, servo de direction plastique	Supporto servo, set servo sterzo in plastica
LOS231010	Chassis Plate & Motor Cover Plate	Chassisplatte und Motorabdeckung	Platine de châssis et couvercle moteur	Piastra telaio & piastra copertura motore
LOS231011	Center Chassis Brace & Standoffs	Chassishalter und Distanzstücke	Renfort central de châssis et entretoises	Montanti telaio centrali con distanziali
LOS231012	Motor Mount	Motorhalter	Support moteur	Supporto motore
LOS231013	Steering Hardware Set	Zubehörset Lenkung	Set d'accessoires de direction	Set hardware sterzo
LOS231058	Front Bumper Set	Stoßstangensatz, Front	Jeu de pare-chocs avant	Set ammortizzatore anteriore
LOS231084	IC3/IC5 Mount & Base	IC3/IC5 Mount & Base	Support et base IC3/IC5	Base e supporto IC3/IC5
LOS232002	Center Transmission Housing	Achsgehäuse mitte	Boitier de transmission centrale	Scatola trasmissione centrale
LOS232003	Front Gear Box/Bulkhead	Getriebegehäuse mit Halter	Set de carters de transmission avant/Cellule	Scatola ingranaggio anteriore / paratia
LOS232004	HD Diff Housing & Internals: Baja Rey	Differentialgehäuse mit Einsätzen	Corps de différentiel renforcé et éléments internes	Scatola diff. HD ed parti interne
LOS232005	Rear Driveshaft Set: Baja Rey	Antriebswelle hinten	Tiges de cardans arrière	Set trasmissione posteriore
LOS232006	Hex, Rotor, Caliper & Pin Set (4)	Scheibenbremse mit Bremssattel Vorne/Hinten	Hexagone, rotor, mâchoires et goupilles	Set esagone, rotore, spessore e perno
LOS232007	Center Transmission Gear Set	Getriebeset Mitte	Set de pignons de transmission centrale	Set ingranaggio trasmissione centrale
LOS232008	40T Ring & 14T Pinion Gear FR/RR	Stirnrad 40 Zähne & 14 er Ritzel	Anneau 40T et Pignon 14T avant/arrière	40T ingranaggio & 14T pignone ant./post.
LOS232009	Front Axle Set (2)	Vorderachsenset (2)	Axe de roues avant (2)	Set asse anteriore
LOS232010	Center Drive Shaft	Antriebswelle Mitte	Cardan central	Albero di trasmissione centrale
LOS232012	Center Outdrive Set	Antriebsklaue mitte	Set de noix de cardans centraux	Set trascinatore centrale
LOS232013	Front Outdrive Set	Antriebsklaue vorne	Set de noix de cardans avant	Set trascinatore anteriore
LOS232014	Rear Axle Shaft Set	Hinterachswellenset	Axe de roues arrière	Set semiasse posteriore
LOS232051	Open Rear Diff Gear Set	Offenes Heckdifferential Getriebesatz	Ensemble d'engrenage différentiel arrière ouvert	Set ingranaggio differenziale posteriore aperto
LOS232072	Axle Housing Set, Rear. RR, BR, HR	Achsgehäuse-Set, Heck. RR, BR, HR	Ensemble de carter d'essieu, arrière. RR, BR, RH	Set carcassa assale, post. RR, BR, HR
LOS233001	Shock Ends, Tops, Piston	Stoßdämpferendteile, Kolben	Chapes d'amortisseurs, bouchons supérieurs et pistons	Terminali, tappi, pistoni ammortizz.
LOS233002	FR/RR Shock Body & Collar Set	Stoßdämpfergehäuse, Distanzringe v/h	Corps d'amortisseurs avant/arrière avec bague	Corpo ammortizz. ant./post & collarino
LOS233003	FR/RR Shock Shaft Set & Hardware	Dämpfer Kolbenstange mit Zubehör	Tiges d'amortisseurs avant/arrière avec visserie	Stelo ammortizz. ant./post e hardware
LOS233004	FR/RR Shock Seal & Limiter Set	Stoßdämpferdichtung und Begrenzer	Joint d'amortisseurs avant/arrière avec limiteur	Set guarnizione ammortizz. ant./post. e limitatore
LOS233005	Front and Rear Spring Set	Dämpferfedern v/h	Ressort avant/arrière	Set molle ant./post.
LOS234002	Shock Tower, Upper/Track Rod Mounts, Rear	Dämpferbrücke hinten	Support d'amortisseurs, tirants	Torretta ammortizz., supporti tirante sterzo superiore post.
LOS234003	Trailing Arm, Steering, Upper, Drag Link St	Lenkgestänge	Tringlerie de direction supérieure	Braccetto longitudinale, sterzo, superiore, tirante sterzo
LOS234004	Front Suspension Arm Set Upper/Lower	Querlenkerkerker unten	Bras de suspension avant supérieur et inférieur	Set braccetti sospensione ant. inferiore/ superiore
LOS234005	Steering Spindle Set & Hardware	Lenkspindelset: Baja Rey	Set de fusées et visserie	Set fusello sterzo e hardware:
LOS234006	Front & Rear Sway Bar Links	Querlenkerverbinder vorne	Tringlerie barre anti-roulis avant/arrière	Collegamenti barra antitorzione ant./post.
LOS234007	Front Hinge Pins & Brace Set	Querlenkerstifte und Halter	Renfort de cellule avant	Perni braccetti ant. e set piastrine
LOS234008	7mm Steel Pivot Ball Double Boss (10)	7mm Kugelköpfe (10)	Rotules Double Boss acier 7mm (10)	7mm Steel Pivot Ball Double Boss (10)
LOS235001	Cap Head Screws M2 x 6mm (10)	Sechskantschraube M2 x 6mm (10)	Vis CHC M2 x 6mm (10)	Viti a testa piatta M2 x 6mm (10)
LOS235002	Cap Head Screws M2.5 x 10mm (10)	Sechskantschraube M2.5 x 10mm (10)	Vis CHC M2,5 x 10mm (10)	Viti a testa piatta M2.5 x 10mm (10)
LOS235003	Cap Head Screws M3 x 6mm (10)	Sechskantschraube M3 x 6mm (10)	Vis CHC M3 x 6mm (10)	Viti a testa piatta M3 x 6mm (10)
LOS235004	Cap Head Screws M3 x 25mm (10)	Sechskantschraube M3 x 25mm (10)	Vis CHC M3 x 25mm (10)	Viti a testa piatta M3 x 25mm (10)
LOS235005	Button Head Screws M2.5x6mm (10)	Halbrundschrabe M2.5 x 6mm (10)	Vis BHC M2,5 x 6mm (10)	Viti a testa tonda M2.5x6mm (10)

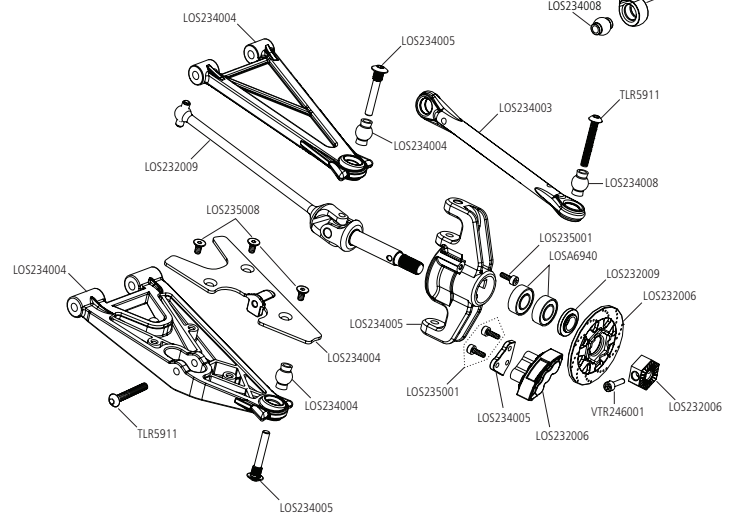
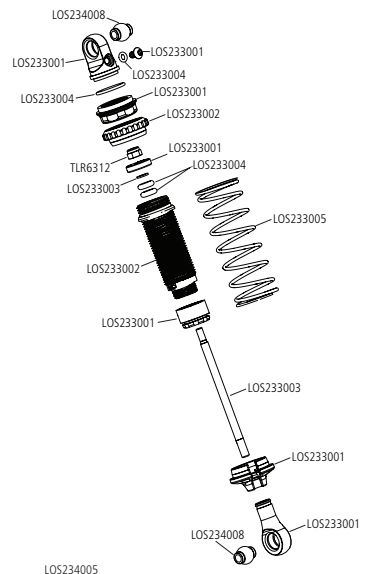
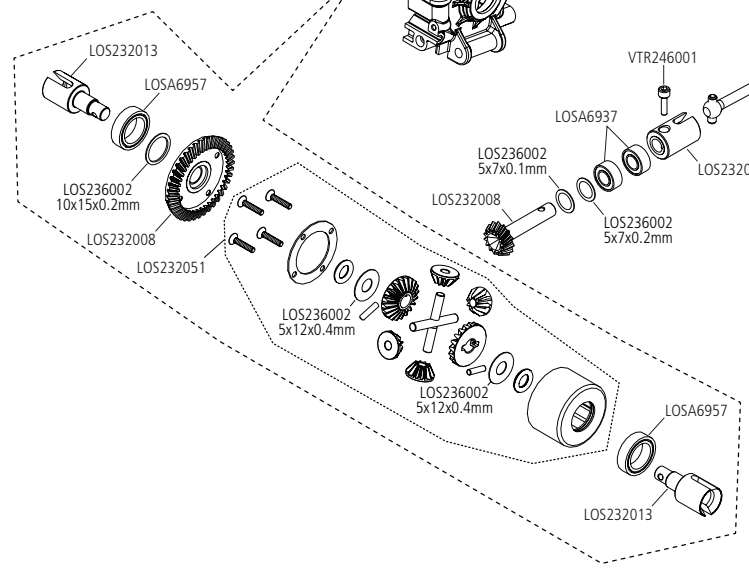
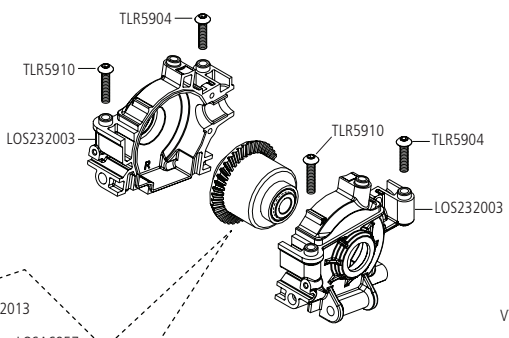
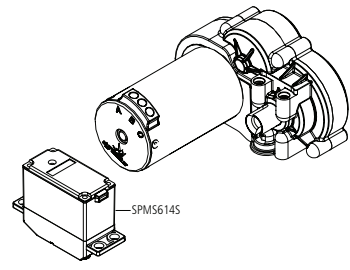
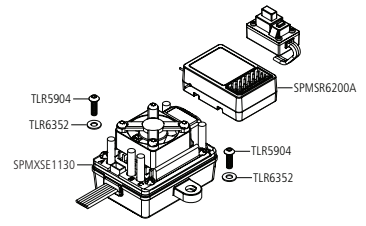
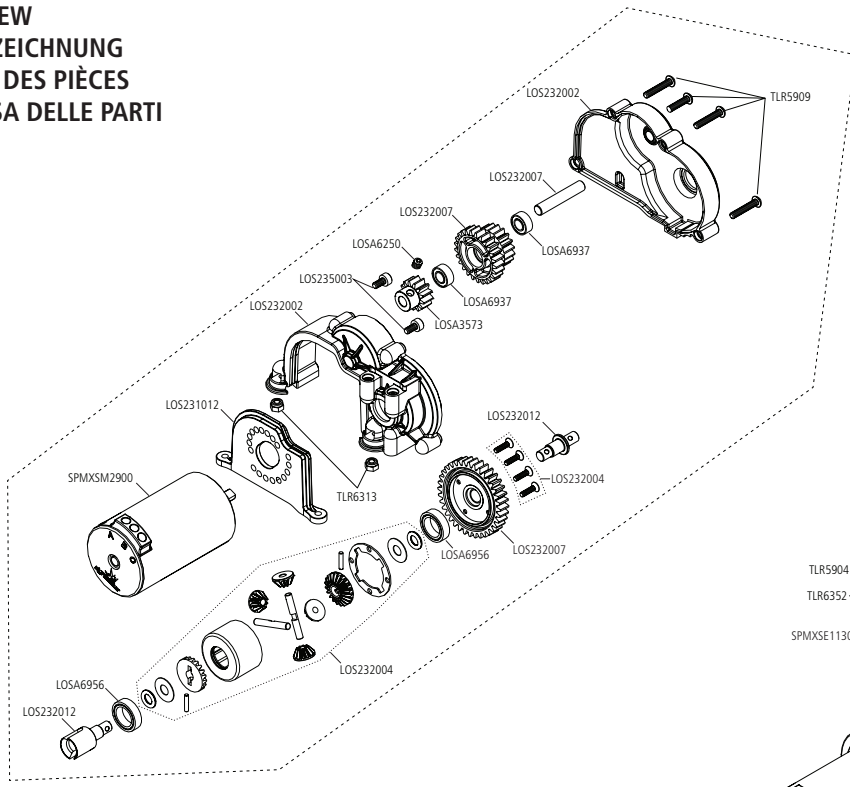
Replacement Parts // Teileliste // Liste des pièces de rechange // Elenco dei ricambi

Part #	English	Deutsch	Français	Italiano
LOS235006	Button Head Screws M2.5x 20mm (10)	Halbrundschrabe M2.5 x 20mm (10)	Vis BHC M2,5 x 20mm (10)	Viti a testa tonda M2.5x 20mm (10)
LOS235007	Button Head Screws M4 x 12mm (10)	Halbrundschrabe M4 x 12mm (10)	Vis BHC M4 x 12mm (10)	Viti a testa tonda M4 x 12mm (10)
LOS235008	Flat Head Screws M2.5 x 5mm (10)	Flachkopfschraube M2.5 x 5mm (10)	Vis FHC M2,5 x 5mm (10)	Viti a testa piatta M2.5 x 5mm (10)
LOS235009	Flat Head Screws M2.5 x 8mm (10)	Flachkopfschraube M2.5 x 8mm (10)	Vis FHC M2,5 x 8mm (10)	Viti a testa piatta M2.5 x 8mm (10)
LOS235010	Flat Head Screws M2.5 x 12mm (10)	Flachkopfschraube M2.5 x 12mm (10)	Vis FHC M2,5 x 12mm (10)	Viti a testa piatta M2.5 x 12mm (10)
LOS235011	Set Screw, M3 x 3mm Cup Point (10)	Madenschraube M3 x 3mm spitz (10)	Vis STHC M3 x 3mm CUV (10)	Grano, M3 x 3mm punta piana (10)
LOS235012	Set Screw, M4 x 4mm Cup Point (10)	Madenschraube, M4 x 4mm spitz (10)	Vis STHC M4 x 4mm CUV (10)	Grano, M4 x 4mm punta piana (10)
LOS235013	Flat Nut, M3 x 0.5 x 5mm (10)	Flachmutter M3 x 05 x 5mm (10)	Écrou plat M3 x 0,5 x 5mm (10)	Dado piatto, M3 x 0.5 x 5mm (10)
LOS235014	Lock Nut, M2 x 0.4 x4mm (10)	Stoppmutter M2 x 0.4mm (10)	Écrou auto-freiné M2 x 0,4 x 4mm (10)	Dado autobloccante, M2 x 0.4 x4mm (10)
LOS235015	Lock Nut, Flanged M5 x 0.8 (10)	Stoppmutter M5 x 0.8mm geriffelt (10)	Écrou auto-freiné épaulé strié M5 x 0,8mm (10)	Dado autobloccante con flangia dentata M5 x 0.8 (10)
LOS236002	Differential Shim Kit	Differential keil Kit	Kit de cale différentielle	Kit di zeppa differenziale
SPM2340	DX3 SMART DSMR 3CH Transmitter	DX3 SMART DSMR-Sender mit 3 Kanälen	Émetteur DX3 SMART DSMR 3 canaux	Trasmittente DX3 SMART DSMR 3 CH
SPMS6145	15KG Servo, WP, Metal Gear, 23T	Servo, spritzwassergeschützt 15Kg MG, 23T	Servo 15Kg à pignons métal, étanche, tête 23T	Servo 15 kg, waterproof, ingranaggi metallici, 23 denti
SPMSRS6200A	Spektrum SR6200A DSMR AVC Surface Receiver	Spektrum SR6200A DSMR AVC Surface Empfänger	Récepteur SR6200A avec Technology AVC	Ricevente di superficie Spektrum SR6200A DSMR AVC
TLR5904	Button Head Screws, M3 x 0.5mm x 12mm, Stl, BZ	TLR Rundkopfschraube, M3 x 12mm (10)	Vis à tête bombée M3 x 12mm (10)	Viti testa tonda, M3 x 12mm (10)
TLR5909	Button Head Screws, M3 x 0.5mm x 16mm, Stl, BZ, Pref	TLR Rundkopfschraube, M3 x 16mm (10)	Vis à tête bombée M3 x 16mm (10)	Viti testa tonda, M3 x 16mm (10)
TLR5910	Button Head Screws, M3 x 0.5mm x 14mm, Stl, BZ	TLR Rundkopfschrauben, M3 x 14mm (10)	Vis à tête bombée M3 x 14mm (10)	Viti testa tonda, M3 x 14mm (10)
TLR5911	Button Head Screws, M3 x 0.5mm x 20mm, Stl, BZ, Pref	TLR Rundkopfschrauben, M3 x 20mm (10)	Vis à tête bombée M3 x 20mm (10)	Viti testa tonda, M3 x 20mm (10)
TLR5913	Button Head Screws, M2.5 x 0.45mm x 12mm, Stl, BZ	TLR Rundkopfschrauben, M2.5 x 12mm (10)	Vis à tête bombée M2.5 x 12mm (10)	Viti testa tonda, M2.5 x 12mm (10)
TLR5932	Cap Head Screws, M3 x 0.5mm x 10mm, Stl, BZ, Pref	TLR Zylinderkopfschraube, M3 x 10mm (10)	Vis BTR M3 x 10mm (10)	Viti testa a brugola, M3 x 10mm (10)
TLR5933	Cap Head Screws, M3 x 12mm (10)	TLR Zylinderkopfschraube, M3 x 12mm (10)	Vis BTR M3 x 12mm (10)	Viti testa a brugola, M3 x 12mm (10)
TLR5934	Cap Head Screws, M3 x 0.5mm x 16mm, Stl, BZ, Pref	TLR Zylinderkopfschraube, M3 x 16mm (10)	Vis BTR M3 x 16mm (10)	Viti testa a brugola, M3 x 16mm (10)
TLR5935	Cap Head Screws, M3 x 0.5mm x 20mm, Stl, BZ, Pref	TLR Zylinderkopfschraube, M3 x 20mm (10)	Vis BTR M3 x 20mm (10)	Viti testa a brugola, M3 x 20mm (10)
TLR5961	Screw, M3 x 0.5mm x 8mm, Flat Head, Stl, BZ	TLR Flachkopfschrauben, M3 x 8mm (10)	Vis à tête fraisée M3 x 8mm (10)	Vite a testa piatta, M3 x 8mm (10)
TLR5963	Screw, M3 x 0.5mm x 12mm, Flat Head, Stl, BZ	TLR Flachkopfschrauben, M3 x 12mm (10)	Vis à tête fraisée M3 x 12mm (10)	Vite a testa piatta, M3 x 12mm (10)
TLR5964	Screw, M3 x 0.5mm x 16mm, Flat Head, Stl, BZ, Pref	TLR Flachkopfschrauben, M3 x 16mm (10)	Vis à tête fraisée M3 x 16mm (10)	Vite a testa piatta, M3 x 16mm (10)
TLR5965	Screw, M3 x 0.5mm x 20mm, Flat Head, Stl, BZ, Pref	TLR Flachkopfschrauben, M3 x 20mm (10)	Vis à tête fraisée M3 x 20mm (10)	Vite a testa piatta, M3 x 20mm (10)
TLR6312	Locknut, M2.5x.45 x 5mm (6)	Stopmutter M2.5 x .45 x 5mm (6)	Ecrou M2,5x0,45x5mm (6)	Dado autobloccante, M2,5 x 45 x 5 mm (6)
TLR6313	Nut, M3 x 0.5mm x 5.5mm, Nylock, Stl, Clear Zinc	TLR Mutter selbstsichernd, M3 x .5 x 5.5mm (10)	Ecrou M3 x 0,5 x 5,5mm (10)	Dado autobloccante, M3 x .5 x 5.5mm (10)
TLR6352	Washer, 3.2mm x 7mm x 0.5mm, Stl, Clear Zinc	TLR U-Scheibe, M3 (10)	Rondelles M3 (10)	Rondelle, M3 (10)
TLR74006	Silicone Shock Oil, 30wt, 2oz.	Silikon Dämpferöl 30wt, 2oz	Huile silicone d'amortisseur, 30wt, 60 ml	Olio silconico ammortizzatori, 30 wt, 2 oz.
TLR255007	Button Head Screws M4 x .07mm x 12mm (10)	TLR Rundkopfschraube, M4 x 12mm (10)	Vis à tête bombée M4 x 12mm (10)	Viti testa tonda, M4 x 12mm (10)
VTR236003	Flat Nut, M4 x 0.7 x 7mm (10)	Flachmutter M 4 x 0,7 x 7mm (10)	Écrou plat, M4 x 0,7 x 7mm (10)	Dado piatto, M4 x 0,7 x 7mm (10)
VTR236025	M4 Nylock Flanged Nut	Nylon Bundmutter M4	Ecrou épaulé autofreiné M4 (10)	Dado flangiato Nylock M4
VTR246001	Screw Pin, Clip Post (10): Glamis Uno	Stiftschraube (10) GLU	Supports de clips avec goupilles (10): GLU	Perni viti clip (10): GLU

Optional Parts // Diverse Teile // Pièces optionnelles // Pezzi opzionali

Part #	English	Deutsch	Français	Italiano
LOS43006	Wheels (4)	Räder (4)	Roues (4)	Ruote (4)
LOS43011	Desert Claws Tires Soft w/Foam (2)	Desert Claws Reifen mit Schaumeinlage (2)	Pneus Desert Claws Soft avec inserts (2)	Gomme Desert Claws soft con inserti (2)
LOS230009	Body Set, Clear	Karosserie Set	Carrosserie, transparente	Set carrozzeria, trasparente
LOS230026	Sticker Sheet	Sticker Bogen	Feuille d'autocollants	Adesivi
LOS232011	Rear Diff Locker	Differentialsperre hinten	Verrou de diff arrière	Diff. locker posteriore
LOS321009	Front Bumper & Skid Plate: Baja Rey	Stoßfänger vorne und Unterfahrschutz	Pare choc avant et protection	Parauro anteriore e piastra proteggi telaio
LOS330001	LED Roof Light Bar Set	LED Light Bar Set f. Dachmontage	Rampe lumineuse DEL toit	Set barra luci LED tetto
LOS330005	Body Set, Clear	Karosserie Set	Carrosserie, transparente	Set carrozzeria, trasparente
LOS331001	Aluminum Steering Servo Mount	Lenkservohalter Aluminium	Support de servo de direction aluminium	Supporto servo sterzo alluminio
LOS331002	Aluminum Bellcrank Servo Saver Set	Servo Saver Aluminium	Sauve servo levier aluminium	Set salvaservo squadrette alluminio
LOS331003	Adjustable Turnbuckle Set	Gewindestangenset einstellbar	Biellettes réglables	Set tiranti filettati regolabili
LOS331004	Aluminum Rear Upper Link & Space Set	Heckanlenkung und Distanzstück Aluminium	Tirant supérieur arrière et entretoise aluminium	Set collegamenti e distanziali superiori posteriori alluminio
LOS331005	Aluminum Servo Arm, 23T	Servoarm Aluminium, 23T	Palonnier de servo aluminium, 23T	Squadretta servo alluminio, 23 denti
LOS331006	Aluminum Servo Arm, 24T	Servoarm, Aluminium 24T	Palonnier de servo aluminium, 24T	Squadretta servo alluminio, 24 denti
LOS331007	Aluminum Servo Arm, 25T	Servoarm Aluminium, 25T	Palonnier de servo aluminium, 25T	Squadretta servo alluminio, 25 denti
LOS334001	Aluminum Front Spindle Set	Radträger Set Aluminium	Fusées avant aluminium	Set fusello anteriore alluminio
LOS334002	AL Axle Housing Upper Track Rod Mount	Achsgehäuse oben Aluminium	Carter de pont supérieur aluminium Track Rod Mount	Supporto tirante trasversale superiore corpo asse alluminio
LOS334003	Aluminum Upper Lower Bukhead Track Rod Mounts	Achsgehäuse Aluminium unten	Cellule supérieure/inférieure aluminium Track Rod Mount	Supporti tiranti trasversali paratia inferiore superiore alluminio
LOS334005	Aluminum Front Shock Tower	Dämpferbrückenset Aluminium vorne	Supports d'amortisseurs avant aluminium	Torre ammortizzatore anteriore alluminio
LOS334006	Aluminum Lower Rear Trailing Arm Set	Spurstangenset unten Aluminium:	Bras arrière inférieur aluminium	Set braccio longitudinale posteriore inferiore alluminio

EXPLODED VIEW
EXPLOSIONSZEICHNUNG
VUE ÉCLATÉE DES PIÈCES
VISTA ESPLOSA DELLE PARTI





WWW.LOSI.COM

©2021 Horizon Hobby, LLC.

Losi, Baja Rey, DSM, DSM2, DSMR, AVC, Active Vehicle Control, EC3, Dynamite, Fuze, Prophet and the Horizon Hobby logo are trademarks or registered trademarks of Horizon Hobby, LLC. The Spektrum trademark is used with permission of Bachmann Industries, Inc.

Ford Motor Company Trademarks and Trade Dress are used under license to Horizon Hobby.

King Shock Technology, Inc. Trademarks and Trade Dress are used under license to Horizon Hobby.

US 9,320,977, US 10,528,060. US 9,930,567. US 10,419,970. US 10,849,013 Other patents pending.

Updated 12/20

128848 | LOS03020V2T1/T2

