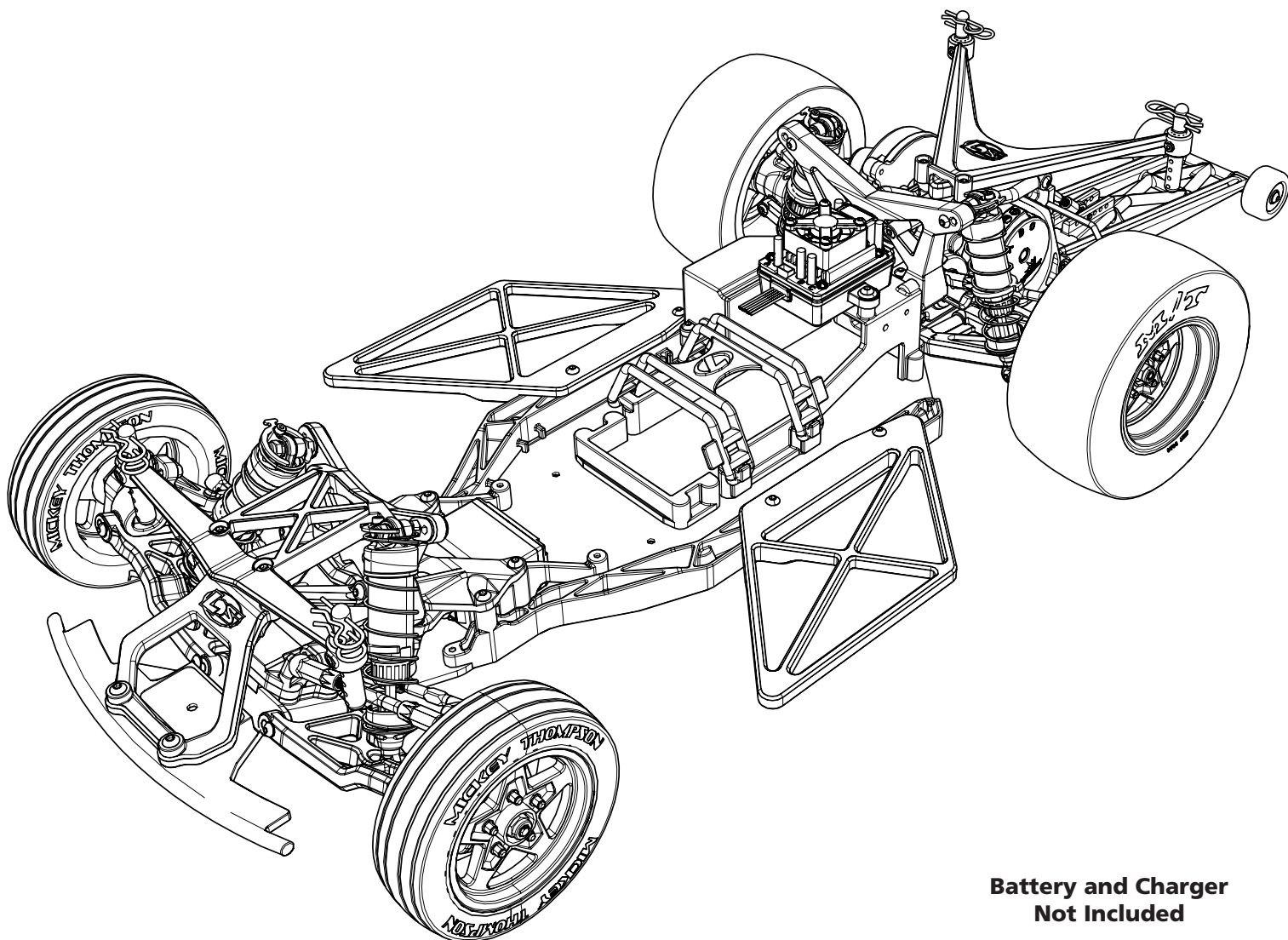


**RTR**  
READY-TO-RUN

**HORIZON**<sup>®</sup>  
H O B B Y



***RPS* NO PREP DRAG 1/10 2WD RTR**



**Battery and Charger  
Not Included**

**INSTRUCTION MANUAL  
BEDIENUNGSANLEITUNG  
MANUEL D'UTILISATION  
MANUALE DI ISTRUZIONI**

Before operating this vehicle, please read all printed materials thoroughly.  
Horizon Hobby is not responsible for inadvertent errors in this manual.

## NOTICE

All instructions, warranties and other collateral documents are subject to change at the sole discretion of Horizon Hobby, LLC. For up-to-date product literature, visit [horizonhobby.com](http://horizonhobby.com) or [towerhobbies.com](http://towerhobbies.com) and click on the support or resources tab for this product.


## MEANING OF SPECIAL LANGUAGE

The following terms are used throughout the product literature to indicate various levels of potential harm when operating this product:


**WARNING:** Procedures, which if not properly followed, create the probability of property damage, collateral damage, and serious injury OR create a high probability of superficial injury.

**CAUTION:** Procedures, which if not properly followed, create the probability of physical property damage AND a possibility of serious injury.

**NOTICE:** Procedures, which if not properly followed, create a possibility of physical property damage AND a little or no possibility of injury.

 **WARNING:** Read the ENTIRE instruction manual to become familiar with the features of the product before operating. Failure to operate the product correctly can result in damage to the product, personal property and cause serious injury.

This is a sophisticated hobby product. It must be operated with caution and common sense and requires some basic mechanical ability. Failure to operate this Product in a safe and responsible manner could result in injury or damage to the product or other property. This product is not intended for use by children without direct adult supervision. Do not use with incompatible components or alter this product in any way outside of the instructions provided by Horizon Hobby, LLC. This manual contains instructions for safety, operation and maintenance. It is essential to read and follow all the instructions and warnings in the manual, prior to assembly, setup or use, in order to operate correctly and avoid damage or serious injury.

 **WARNING AGAINST COUNTERFEIT PRODUCTS** Always purchase from a Horizon Hobby, LLC authorized dealer to ensure authentic high-quality Spektrum product. Horizon Hobby, LLC disclaims all support and warranty with regards, but not limited to, compatibility and performance of counterfeit products or products claiming compatibility with DSM or Spektrum.

**Age Recommendation: Not for children under 14 years. This is not a toy.**

## SAFETY PRECAUTIONS AND WARNINGS

As the user of this product, you are solely responsible for operating in a manner that does not endanger yourself and others or result in damage to the product or property of others.

This model is controlled by a radio signal subject to interference from many sources outside your control. This interference can cause momentary loss of control, so it is advisable to always keep a safe distance in all directions around your model as this margin will help avoid collisions or injury.

- Never operate your model with low transmitter batteries.
- Always operate your model in open spaces away from full-size vehicles, traffic and people.
- Never operate the model in the street or in populated areas for any reason.
- Carefully follow the directions and warnings for this and any optional support equipment (chargers, rechargeable battery packs, etc.) you use.
- Keep all chemicals, small parts and anything electrical out of the reach of children.

- Never lick or place any portion of the model in your mouth as it could cause serious injury or even death.
- Exercise caution when using tools and sharp instruments.
- Take care during maintenance as some parts may have sharp edges.
- Immediately after using your model, do NOT touch equipment such as the motor, electronic speed control and battery, because they generate high temperatures. You may burn yourself seriously touching them.
- Do not put fingers or any objects inside rotating and moving parts, as this may cause damage or serious injury.
- Always turn on your transmitter before you turn on the receiver in the car. Always turn off the receiver before turning your transmitter off.
- Keep the wheels of the model off the ground when checking the operation of the radio equipment.

## TABLE OF CONTENTS

REGISTER YOUR LOSI PRODUCT ONLINE .....	2	TO IMPROVE RUN TIMES .....	6
BOX CONTENTS .....	3	PERFORMING A CONTROL DIRECTION TEST .....	6
COMPONENTS .....	3	SPEKTRUM™ FIRMA100A 2-3S BRUSHLESS SMART ESC (SPMXSE1100) .....	6
WATER-RESISTANT VEHICLE WITH WATERPROOF ELECTRONICS .....	3	ESC CALIBRATION PROCEDURE .....	6
GENERAL PRECAUTIONS .....	3	FIRMA 100A PROGRAMMABLE OPTIONS .....	6
WET CONDITIONS MAINTENANCE .....	3	DESCRIPTIONS .....	7
QUICK START .....	3	ESC PROGRAMMING PROCEDURE .....	7
CHARGING THE BATTERY .....	3	SPEKTRUM™ 3652 4-POLE 6500KV BRUSHLESS MOTOR (SPMXSM2800) .....	8
INSTALLING THE BATTERY .....	4	PRECAUTIONS .....	8
TRANSMITTER FUNCTIONS .....	4	GEARING .....	8
INSTALLING THE TRANSMITTER BATTERIES .....	4	CHANGING THE PINION GEAR/GEAR RATIO .....	8
SPMSR315 DUAL PROTOCOL RECEIVER .....	5	SETTING THE GEAR MESH .....	8
RECEIVER ANTENNA .....	5	TROUBLESHOOTING GUIDE .....	8
BINDING .....	5	2-YEAR LIMITED WARRANTY .....	9
SERVO TRAVEL .....	5	WARRANTY AND SERVICE CONTACT INFORMATION .....	9
DRIVING PRECAUTIONS .....	5	FCC AND CANADA COMPLIANCE INFORMATION .....	10
POWERING ON THE VEHICLE .....	5	IC INFORMATION .....	10
BEFORE RUNNING YOUR VEHICLE .....	6	COMPLIANCE INFORMATION FOR THE EUROPEAN UNION .....	10
RUN TIME .....	6		

## REGISTER YOUR LOSI PRODUCT ONLINE

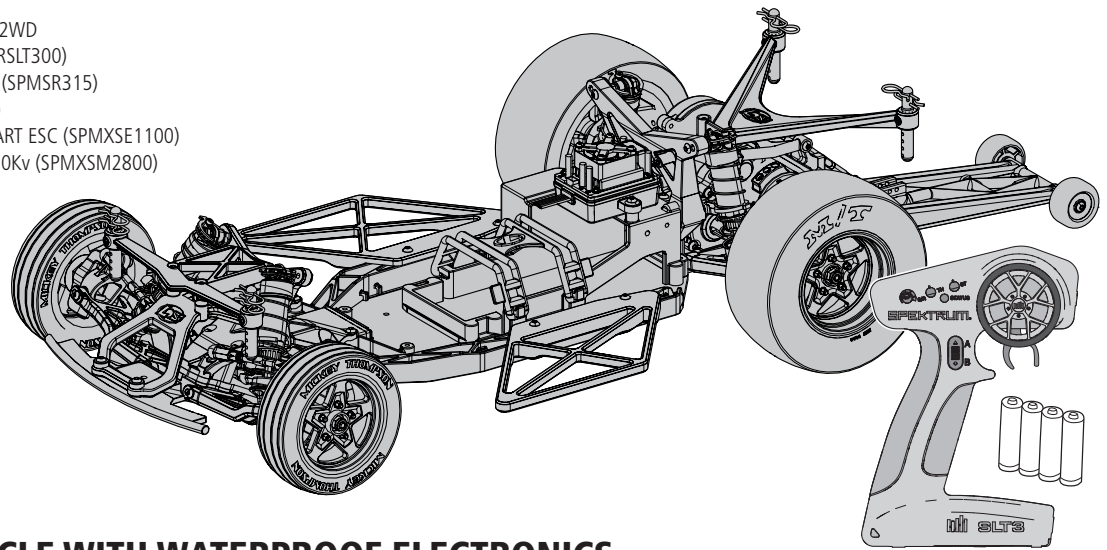
Register your vehicle now and be the first to find out about the latest option parts, product updates and more. Click on the Support tab at [WWW.LOSI.COM](http://WWW.LOSI.COM) and follow the product registration link to stay connected.



## BOX CONTENTS

### COMPONENTS

- Losi® Brushless No Prep Drag RTR: 1/10-Scale 2WD
- Spektrum™ SLT3 3-Channel Transmitter (SPMRSLT300)
- Spektrum™ Dual Protocol DMSR/SLT Receiver (SPMSR315)
- Spektrum™ 6KG Waterproof Servo (SPMS606)
- Spektrum™ FIRMA 100A 2–3S Brushless SMART ESC (SPMXSE1100)
- Spektrum™ 3652 4-Pole Brushless Motor 6500Kv (SPMXSM2800)
- 4 AA batteries (for transmitter)



## WATER-RESISTANT VEHICLE WITH WATERPROOF ELECTRONICS

Your new Horizon Hobby vehicle has been designed and built with a combination of waterproof and water-resistant components to allow you to operate the product in many “wet conditions,” including puddles, creeks, wet grass, snow and even rain.

While the entire vehicle is highly water-resistant, it is not completely waterproof and your vehicle should NOT be treated like a submarine. The various electronic components used in the vehicle, such as the Electronic Speed Control (ESC), servo(s) and receiver are waterproof, however, most of the mechanical components are water-resistant and should not be submerged.

Metal parts, including the bearings, hinge pins, screws and nuts, as well as the contacts in the electrical cables, will be susceptible to corrosion if additional maintenance is not performed after running in wet conditions. To maximize the long-term performance of your vehicle and to keep the warranty intact, the procedures described in the “Wet Conditions Maintenance” section below must be performed regularly if you choose to run in wet conditions. If you are not willing to perform the additional care and maintenance required, then you should not operate the vehicle in those conditions.

**CAUTION:** Failure to exercise caution while using this product and complying with the following precautions could result in product malfunction and/or void the warranty.

### GENERAL PRECAUTIONS

- Read through the wet conditions maintenance procedures and make sure that you have all the tools you will need to properly maintain your vehicle.
- Not all batteries can be used in wet conditions. Consult the battery manufacturer before use. Caution should be taken when using Li-Po batteries in wet conditions.
- Most transmitters are not water-resistant. Consult your transmitter’s manual or the manufacturer before operation.
- Never operate your transmitter or vehicle where lightning may be present.
- Do not operate your vehicle where it could come in contact with salt water (ocean water or water on salt-covered roads), contaminated or polluted water. Salt water is very conductive and highly corrosive, so use caution.
- Even minimal water contact can reduce the life of your motor if it has not been certified as water-resistant or waterproof. If the motor becomes excessively wet, apply very light throttle until the water is mostly removed from the motor. Running a wet motor at high speeds may rapidly damage the motor.
- Driving in wet conditions can reduce the life of the motor. The additional resistance of operating in water causes excess strain. Alter the gear ratio by using a smaller pinion or larger spur gear. This will increase torque (and motor life) when running in mud, deeper puddles, or any wet conditions that will increase the load on the motor for an extended period of time.

## QUICK START

Please read the entire manual to gain a full understanding of the 22S RTR vehicle, fine-tuning the setup and performing maintenance.

1. Read the safety precautions found in this manual.
2. Charge a battery for the vehicle. Refer to the included charging warnings and instructions for battery charging information.
3. Install the AA batteries in the transmitter. Only use alkaline or rechargeable batteries.
4. Install the fully charged battery in the vehicle.
5. Power ON the transmitter and then the vehicle. Wait 5 seconds for the ESC to initialize. Always power the transmitter ON before the vehicle and power it OFF after the vehicle has been powered OFF.
6. Check the steering and throttle control directions. Verify that the servos are moving in the correct direction.
7. Drive your vehicle.
8. Power OFF the vehicle and then the transmitter.
9. Unplug the battery and remove it from the vehicle.
10. Perform any necessary maintenance.

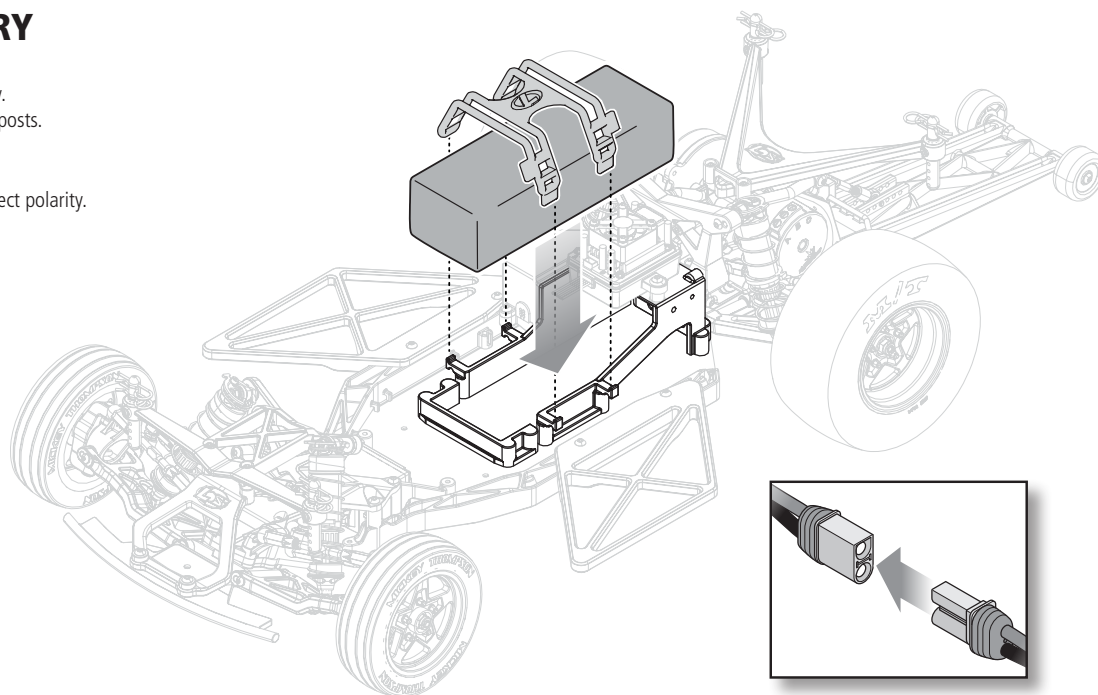
## CHARGING THE BATTERY

Choose a battery designed to work with the Spektrum™ FIRMA 100A 2–3S Brushless SMART ESC. We recommend the Spektrum™ 7.4V 5000mAh 2S 100C Smart Hardcase LiPo Battery with IC5 connector (SPMX50002S100H5). Choose a charger designed to charge 2S and/

or 3S Li-Po batteries. We recommend the Spektrum™ SMART S1200 DC Charger, 1x200W (SPMXC1000). Refer to your battery and charger manuals for usage, safety, and charging information.

## INSTALLING THE BATTERY

1. Ensure the ESC is powered OFF.
2. Remove the body clips and lift the vehicle body.
3. Remove the elastomer straps from the battery posts.
4. Install the fully charged battery in the vehicle.
5. Resecure the elastomer straps.
6. Connect the battery to the ESC noting the correct polarity.
7. Power ON the transmitter, then the vehicle.



## TRANSMITTER FUNCTIONS

### Specifications

**Power Supply:** 4 AA Batteries

**Operating Frequency:** 2.4GHz

**Transmit Power:** <100mw

**Control Protocol:** SLT

**Control:** Proportional Steering and Throttle/Brake with Trim Knobs, Third Channel with 3 Position Momentary Switch

**Auxiliary Functions:** 3 Position Throttle Limit Switch, Steering Rate Knob to Change Steering Travel on-the-fly, Programmable Servo Travel for Steering and Throttle/Brake

### A. Throttle Trim

Adjusts the throttle neutral point

### B. Steering Trim

Adjusts the steering center point. Normally, the steering trim is adjusted until the vehicle tracks straight.

### C. LED

- **Solid red lights:** Indicates the power is ON and adequate battery power
- **Flashing red lights:** Indicates the battery voltage is critically low. Replace batteries

### D. Steering Wheel

### E. Throttle/Brake

### F. Steering Rate

On-The-Fly knob for travel adjustment on the steering

### G. Channel 3

3 position momentary switch, middle position is neutral  
For programming press up for A button, press down for B button

### H. Throttle Limit

Limits throttle output to 50/75/100%  
Select 50% or 75% for less experienced drivers or when you are driving the vehicle in a small area.

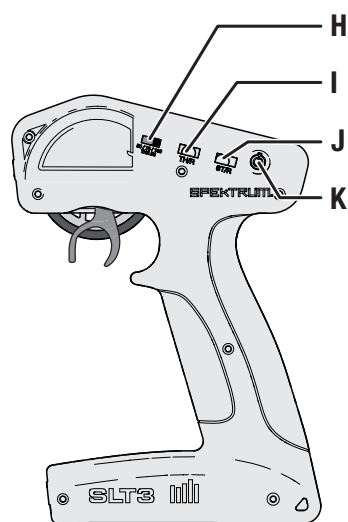
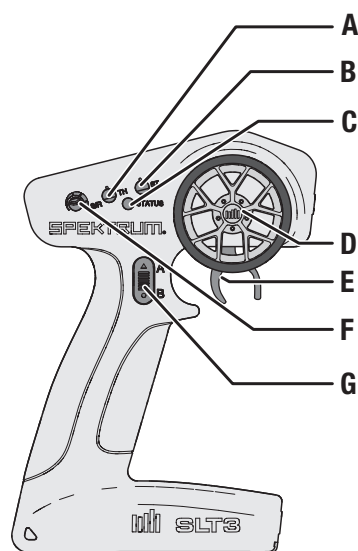
### I. Throttle (TH) Servo Reversing

Move the switch to reverse the throttle channel

### J. Steering (ST) Servo Reversing

Move the switch to reverse the steering channel

### K. Power Button



## INSTALLING THE TRANSMITTER BATTERIES

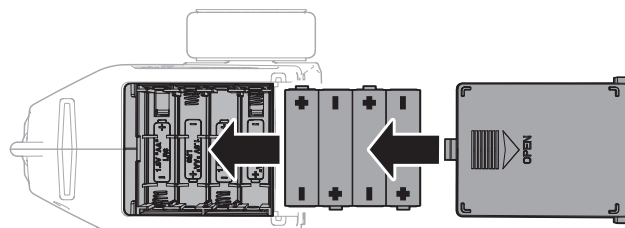
This transmitter requires 4 AA batteries.

1. Remove the battery cover from the transmitter.
2. Install the batteries as shown.
3. Install the battery cover.

**CAUTION:** Never remove the transmitter batteries while the model is powered ON. Loss of model control, damage, or injury may occur.

**CAUTION:** If using rechargeable batteries, charge only rechargeable batteries. Charging non-rechargeable batteries may cause the batteries to burst, resulting in injury to persons and/or damage to property.

**CAUTION:** Risk of explosion if battery is replaced by an incorrect type. Dispose of used batteries according to national regulations.





## SPMSR315 DUAL PROTOCOL RECEIVER

### Specifications

**Type:** Dual Protocol 3 Ch Receiver\* (SLT/DSMR)

**Dimensions (LxWxH):** 32.5 x 21.5 x 12.4mm

**Antenna Length:** 90mm

**Channels:** 3

**Weight:** 6g

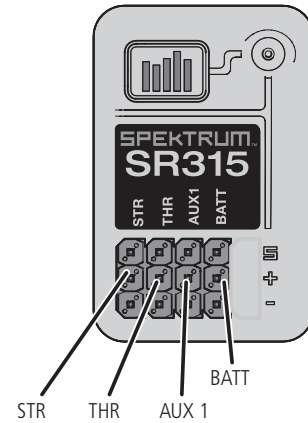
**Band:** 2.4GHz

**Voltage Range:** 3.5–9.6V

**Bind Type:** Bind Button

**Failsafe:** Hold the steering wheel and throttle trigger in the desired failsafe positions during binding

\*SPMSR315 receivers included with the SLT3 transmitter include SLT and DSMR compatibility. If you have an SR315 receiver that was purchased by itself, you may need to install a firmware update to make your SR315 SLT compatible.



## RECEIVER ANTENNA

The SR315 receivers feature a coaxial antenna design for easy installation in almost any model. Think of the last 1 inch (32mm) on the tip of the antenna as the active portion of the antenna, the coaxial portion leading up to it is just an extension. Install the antenna so the active portion is positioned as high as possible in the vehicle, and not "in the shadow" of any carbon fiber or metal. The case of the receiver can accept an antenna tube directly, making optimal antenna placement easy (antenna tube not included).



**WARNING:** Do not kink, cut or damage the antenna wire. The antenna is made of a coaxial wire; if the outer sheath becomes damaged, the receiver will not work properly. If the antenna is damaged in any way, replace the antenna before attempting to use the receiver.

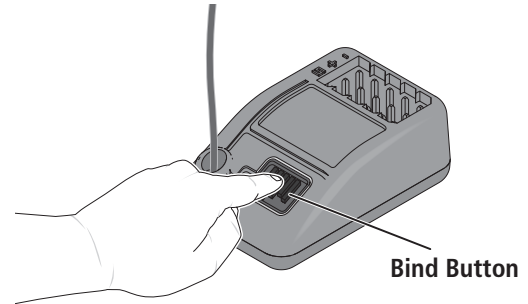
## BINDING

Binding is the process of programming the receiver to recognize the GUID (Globally Unique Identifier) code of a single specific transmitter.

1. Press and hold the bind button.
2. Power ON the receiver. The orange LED will begin to flash.
3. Set the trims and control positions at the desired failsafe settings.
4. Power ON the SLT3 transmitter.
5. When the transmitter's orange LED remains lit, it is connected to SR315 receiver.

You must rebind when:

- Different failsafe positions are desired (e.g., when throttle or steering reversing has changed).
- Binding the receiver to a different transmitter.



## SERVO TRAVEL

The servo travel on the Steering and Throttle channels can be adjusted through a special programming mode in the transmitter.

1. Begin with the transmitter binding process to the receiver complete. Power ON the receiver.
2. Hold full right and full brake while powering the transmitter ON to put the transmitter into programming mode. The LED on the transmitter will flash 4 times to indicate it is in programming mode.
3. Turn and hold the wheel full left to set the travel limit for that direction. Press the A button to increase travel, press the B button to reduce travel. The LED will flash once with every change. Return the wheel to center to set the travel value.

**IMPORTANT:** If the value has reached the maximum or minimum that can be accepted, the LED will not flash with further input.

4. Turn the wheel to the right and repeat the process to set the steering travel to the right.
5. For electric vehicles, power the Transmitter OFF to save the settings. Calibrate your ESC to the default throttle travel.
6. For fuel powered vehicles, set the throttle travel without the engine running; After setting steering travel, you can set throttle travel with the same process. Pull and hold full throttle, adjust travel with the A and B buttons, return to center to set the value.
7. Push full brake, adjust travel with the A and B buttons, return to center
8. Power the transmitter OFF to save the values.

## DRIVING PRECAUTIONS

- Maintain sight of the vehicle at all times.
- Routinely inspect the vehicle for loose wheel hardware.
- Routinely inspect the steering assembly for any loose hardware. Driving the vehicle off-road can cause fasteners to loosen over time.
- Do not drive the vehicle in tall grass. Doing so can damage the vehicle or electronics.
- Stop driving the vehicle when you notice a lack of power. Driving the vehicle when the battery is discharged can cause the receiver to power off. If the receiver loses power, you will lose control of the vehicle. Damage due to an over-discharged Li-Po battery is not covered under warranty.



**CAUTION:** Do not discharge a Li-Po battery below 3V per cell. Batteries discharged to a voltage lower than the lowest approved voltage may become damaged, resulting in loss of performance and potential fire when batteries are charged.

- Do not apply forward or reverse throttle if the vehicle is stuck. Applying throttle in this instance can damage the motor or ESC.
- After driving the vehicle, allow the electronics to cool before driving the vehicle again.

**IMPORTANT:** Keep wires away from all moving parts.

## POWERING ON THE VEHICLE

1. Center the ST TRIM and TH TRIM dials on the transmitter.
2. Power on the transmitter.
3. Install a fully charged battery pack per the *Installing the Battery* section.
4. Power on the ESC.

**IMPORTANT:** The vehicle **MUST** remain on a flat, level surface and motionless for at least 5 seconds.

## BEFORE RUNNING YOUR VEHICLE

1. Check for free suspension movement. All suspension arms and steering components should move freely. Any binds will cause the vehicle to handle poorly.  
**Tip:** To increase the ride height and ground clearance of your vehicle, install the included shock spacers.
2. Charge a battery pack. Always charge the battery pack as per the battery and/or charger manufacturers' instructions.
3. Set the transmitter steering trim. Follow the instructions to set the steering trim/subtrim so that the vehicle drives straight with no input to the steering.
4. Perform a Control Direction Test.

## RUN TIME

The largest factor in run time is the capacity of the battery pack. A larger mAh rating increases the amount of run time experienced.

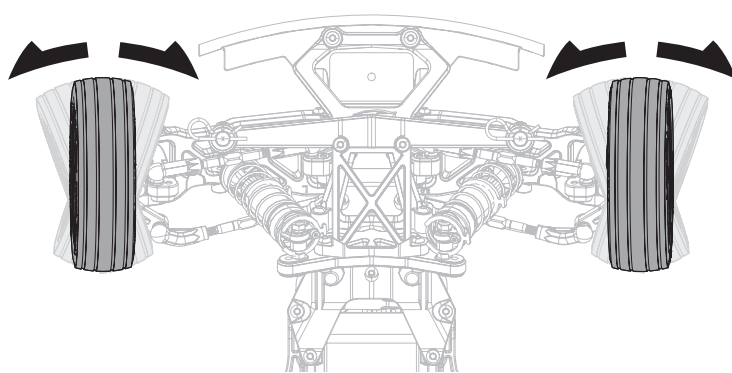
The condition of a battery pack is also an important factor in both run time and speed. The battery connectors may become hot during driving. Batteries will lose performance and capacity over time.

Driving the vehicle from a stop to full speed repeatedly will damage the batteries and electronics over time. Sudden acceleration will also lead to shorter run times.

### TO IMPROVE RUN TIMES

- Keep your vehicle clean and well maintained.
- Allow more airflow to the ESC and motor.
- Change the gearing to a lower ratio. A lower ratio decreases the operating temperature of the electronics. Use a smaller pinion gear or larger spur gear to lower the gear ratio.
- Use a battery pack with a higher mAh rating.
- Use the optimum charger to charge battery packs (Visit your local hobby dealer for more information).

## PERFORMING A CONTROL DIRECTION TEST



Perform a control test with the vehicle wheels off the ground. If the wheels rotate after the vehicle is powered ON, adjust the TH Trim knob until they stop. To make the wheels move forward, pull the trigger. To reverse them, wait for the wheels to stop, then push the trigger. When moving forward, the wheels should maintain a straight line without any steering wheel input. If not, adjust the ST Trim knob, so the wheels maintain a straight line without having to turn the steering wheel.

## SPEKTRUM FIRMA100A 2-3S BRUSHLESS SMART ESC (SPMXSE1100)

### ESC CALIBRATION PROCEDURE

1. Begin with the transmitter and receiver binding complete.
2. Set your transmitter's throttle channel to 100% travel and trim to neutral.
3. Turn on your transmitter and connect a battery to the ESC but don't power it on.
4. Press and hold the Set button while turning on the ESC. When the red LED begins to flash, release the Set button. The ESC will enter programming mode if the button is pressed for more than three seconds.

**TIP:** The red LED should be flashing when the ESC enters calibration mode. If the green LED is flashing the ESC is in programming mode.

5. Leave the throttle trigger at the neutral position, then press and release the Set button. The red LED will stop flashing, the green LED will flash one time and the motor will make a tone to indicate the neutral position has been accepted.
6. Hold the throttle trigger at the full throttle position then press and release the Set button. The green LED will flash twice and the motor will make two tones to indicate the full throttle position has been accepted.
7. Hold the throttle trigger at the full brake position then press and release the Set button. The green LED will flash three times and the motor will make three tones to indicate the full brake position has been accepted.

The motor will operate normally after calibration is completed.

### FIRMA 100A PROGRAMMABLE OPTIONS

PROGRAMMABLE ITEMS	PROGRAMMABLE VALUE							
	1	2	3	4	5	6	7	8
1 Battery Type	LiPo	NiMh						
2 Start Mode (Punch)	Level 1	Level 2	Level 3	Level 4	Level 5			
3 Max Brake Force	25%	37.50%	50%	62.50%	75%	87.50%	100%	
4 Running Mode	Forward/Reverse w/ Brake	Forward with Brake						
5 Motor Rotation	CCW	CW						
6 BEC Voltage	6.0V	7.4V						
7 Timing	0°	3.75°	7.5°	11.25°	15°	18.75°	22.5°	26.25°

■ Default Settings



## DESCRIPTIONS

### Battery Type

This setting allows you to change the battery chemistry. Changing this setting only changes the cut off voltage. Selecting LiPo will prevent over discharge of your LiPo battery. Selecting NiMH will remove LVC and allow the battery to be drained much further. This setting is critical when using a LiPo battery with NiMH selected. This can cause serious damage to a LiPo battery and or cause a fire. Only use LiPo batteries in LiPo mode.

### Start Mode

Sets the initial throttle punch when the car accelerates. Level 1 gives a very soft initial acceleration and Level 4 gives a stronger initial acceleration.

### Punch

Select from start mode Level 1 (Soft) to Level 9 (Very aggressive). If you choose Levels 7–9, use a high quality battery pack with powerful discharge ability. Without a high quality battery pack, the modes will not give a bursting start effect. If the motor does not run smoothly (i.e., trembling), choose a better battery or increase the gear rate.

### Max Brake Force

Adjust the amount of maximum brake force that is applied to the motor. This force determines the resistance of movement when the brakes are fully applied. Setting this value will help the vehicle slow down. If the setting is too high, the tires may lock up, causing the vehicle to spin out of control. If the setting is too low, the car will take a long time to slow.

### Running Mode

- *Forward Only with Brake*  
Intended for competition use, this mode allows only forward and brake controls.
- *Forward/Reverse with Brake*  
This mode is the basic all-around mode, allowing forward, reverse and brake controls. To engage reverse while moving forward, apply the brake until the vehicle has come to a complete stop, release brake, then apply the brake again. While braking or in reverse, engaging the throttle will result in the vehicle immediately accelerating forward.

### Motor Rotation

Adjusting motor rotation in the ESC allows the motor to operate clockwise and anti clockwise. This setting allows quick installation of the motor and ESC without having to swap motor wires to achieve forward drive. If your car is moving backward when forward throttle is applied, switch this setting to achieve required results.

### BEC Voltage

Adjusts the voltage that is delivered to the receiver. The BEC (battery eliminator circuit) allows for a single battery to power both the motor and radio gear. The voltage output can be adjusted to accommodate components that utilize 6.0–7.4 volts.

### Timing

ESC motor timing is adjusted using the ESC programmer or manual adjustment using the transmitter. Timing is a setting that determines many factors, including efficiency, torque, RPM, and temperature. Increasing the timing generally means you are adding RPM, Punch Acceleration, and Current while adding heat, reducing torque, and lowering efficiency. Lowering the timing generally means higher efficiency, less heat, and additional torque while lowering RPM and punch acceleration.

### Low Voltage Cutoff

This function helps to prevent battery over-discharge. The ESC continuously monitors the battery's voltage. If the voltage falls below the voltage threshold for 2 seconds, the output power shuts off and the red LED flashes twice repeatedly.

The cutoff threshold calculation is based on individual Li-Po cell voltage. For Ni-MH batteries, if the voltage battery pack is higher than 9.0V, it will be treated as a 3-cell Li-Po battery pack; if it is lower than 9.0V, it will be treated as a 2-cell Li-Po battery pack. Example: for a 8.0V Ni-MH battery pack used with a 2.6V/cell threshold, it will be treated as a 2-cell Li-Po battery pack and the low-voltage cut-off threshold will be 5.2V (2.6 x 2=5.2).

### Neutral Range

Adjust this setting when changing the transmitter or the ESC. This setting is programmed in the ESC and registers the default neutral of the signal coming from the transmitter. If the car is moving forward or does not respond quickly to transmitter throttle change, adjust this setting. See your ESC manual for detailed instructions on how to set the neutral position.

LED Indicator	LED Code
ESC turned ON, LED indicator is OFF	Throttle trigger is in the neutral zone
Red LED illuminated	ESC is operating in forward, reverse or brake
Red and Green LED illuminated	ESC is at full throttle, full brake, or full reverse
LED flashes red with short single pulses	LVC protection activated
LED flashes green with short single pulses	The ESC is in thermal shutoff mode
LED flashes green with three short pulses repeating	The ESC has exceeded the continuous current limit
LED flashes green with four short pulses repeating	The ESC has failed the self test
LED flashes green with five short pulses repeating	Capacitor temp has been exceeded

## ESC PROGRAMMING PROCEDURE

Programming is accomplished using the SET button on the ON/OFF switch.

1. Connect a fully charged battery to the ESC.
2. Power ON the ESC using the ESC switch.
3. Press and hold the SET button for 3 seconds until the green LED flashes, then release the SET button.
4. Press the SET button once until the green LED blinks once in sequence, indicating programmable value 1 is currently selected.

**Tip:** Pressing the setup button once more moves to programmable value 2, etc. until the desired programmable value is reached. The system continues in a 'loop'.

5. When at the desired menu item, hold the SET button for 3 seconds until the red LED blinks.

**Tip:** The RED flashing sequence indicates the actual setting; for example one flash indicates value 1 is selected, two flashes indicates value 2, etc.

6. Press the setup button in sequence to select the desired programmable value. The system continues in a "loop."
7. Save the setting by holding the SET button for 3 seconds. The motor beeps once.
8. Power OFF the ESC then immediately power it ON. The setting change is stored.

**Tip:** Only one setting can be stored/saved at a time.

## SPEKTRUM 3652 4-POLE 6500KV BRUSHLESS MOTOR (SPMXSM2800)

### PRECAUTIONS

- Never touch moving parts.
- Never disassemble while the batteries are installed.
- Always let parts cool before touching.

### GEARING

The vehicle is equipped with optimal gearing for 2S batteries. When using 3S batteries, Use alternate gearing to optimize speed, power and efficiency.

Installing a pinion gear with fewer teeth or a spur gear with more teeth will increase torque and reduce top speed. Likewise, a pinion gear with more teeth or a spur gear with fewer teeth will reduce torque and increase top speed. Take care when installing larger pinion gears as this can "overgear" the vehicle, resulting in an overheated motor and ESC. When testing different gearing options, pay close attention to the temperature of the motor and speed control to ensure you are operating within the correct temperature range. If the motor is too hot, switch to a lower pinion gear and/or higher spur gear combination.

**CAUTION:** Do not touch the ESC or motor after use or personal injury may result. Do not allow the ESC or motor to exceed 160°F (71°C). A temperature gun (recommended DYNF1055) can be used to safely monitor the temperature before handling.

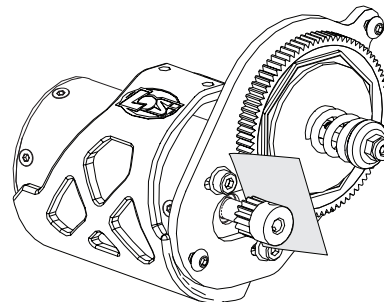
### CHANGING THE PINION GEAR/GEAR RATIO

1. Remove the screws holding the gear cover in place.
2. Loosen the set screw and remove the installed pinion gear.
3. Loosen the motor screws and slide the motor back.
4. Place the new pinion on the end of the motor shaft so the set screw is located over the flat on the shaft.
5. Position it so the teeth line up with the spur gear and secure the pinion by tightening the set screw.
6. Set the gear mesh.

### SETTING THE GEAR MESH

The gear mesh has already been set at the factory. Setting it is only necessary when changing motors or gears.

Proper gear mesh (how gear teeth meet) is important to the performance of the vehicle. When the gear mesh is too loose, the spur gear could be damaged by the pinion gear of the motor. If the mesh is too tight, speed could be limited and the motor and ESC will overheat.



1. Loosen the motor screws and slide the motor back.
2. Put a small piece of paper between the pinion and spur gears.
3. Push the gears together while tightening the motor screws.
4. Remove the paper. Check the mesh at 3–5 different locations around the spur gear for a small amount of movement.
5. Install gear cover.

## TROUBLESHOOTING GUIDE

PROBLEM	POSSIBLE CAUSE	SOLUTION
Vehicle does not operate	Battery not charged or plugged in	Charge battery/plug in
	ESC switch not "ON"	Turn on ESC switch
	Transmitter not "ON" or low battery	Turn on/replace batteries
Motor runs but wheels do not rotate	Pinion not meshing with spur gear	Adjust pinion/spur mesh
	Pinion spinning on motor shaft	Tighten pinion gear setscrew on motor shaft flat spot
	Transmission gears stripped	Replace transmission gears
	Drive pin broken	Check and replace drive pin
Steering does not work	Servo plug not in receiver properly	Make sure the steering servo plug is connected to the receiver steering channel, noting proper polarity
	Servo gears or motor damaged	Replace or repair servo
Will not turn one direction	Servo gears damaged	Replace or repair servo
Motor does not run	Motor wire solder joint is damaged	Resolder the motor wire with the proper equipment
	Motor wire broken	Repair or replace as needed
	ESC damaged	Contact Horizon Hobby Product Support
ESC gets hot	Motor over-gearred	Use smaller pinion or larger spur gear
	Driveline bound up	Check wheels and transmission for binding
Poor run time and/or sluggish acceleration	Battery pack not fully charged	Recharge battery
	Charger not allowing full charge	Try another charger
	Driveline bound up	Check wheels, transmission for binding
Poor range and/or glitching	Transmitter batteries low	Check and replace
	Vehicle battery low	Recharge battery
	Loose plugs or wires	Check all wire connections and plugs



## 2-YEAR LIMITED WARRANTY

### What this Warranty Covers

Horizon Hobby, LLC, (Horizon) warrants to the original purchaser that the product purchased (the "Product") will be free from defects in materials and workmanship 2-years from the date of purchase.

### What is Not Covered

This warranty is not transferable and does not cover (i) cosmetic damage, (ii) damage due to acts of God, accident, misuse, abuse, negligence, commercial use, or due to improper use, installation, operation or maintenance, (iii) modification of or to any part of the Product, (iv) attempted service by anyone other than a Horizon Hobby authorized service center, (v) Product not purchased from an authorized Horizon dealer, or (vi) Product not compliant with applicable technical regulations or (vii) use that violates any applicable laws, rules, or regulations. OTHER THAN THE EXPRESS WARRANTY ABOVE, HORIZON MAKES NO OTHER WARRANTY OR REPRESENTATION, AND HEREBY DISCLAIMS ANY AND ALL IMPLIED WARRANTIES, INCLUDING, WITHOUT LIMITATION, THE IMPLIED WARRANTIES OF NON-INFRINGEMENT, MERCHANTABILITY AND FITNESS FOR A PARTICULAR PURPOSE. THE PURCHASER ACKNOWLEDGES THAT THEY ALONE HAVE DETERMINED THAT THE PRODUCT WILL SUITABLY MEET THE REQUIREMENTS OF THE PURCHASER'S INTENDED USE.

### Purchaser's Remedy

Horizon's sole obligation and purchaser's sole and exclusive remedy shall be that Horizon will, at its option, either (i) service, or (ii) replace, any Product determined by Horizon to be defective. Horizon reserves the right to inspect any and all Product(s) involved in a warranty claim. Service or replacement decisions are at the sole discretion of Horizon. Proof of purchase is required for all warranty claims. SERVICE OR REPLACEMENT AS PROVIDED UNDER THIS WARRANTY IS THE PURCHASER'S SOLE AND EXCLUSIVE REMEDY.

### Limitation of Liability

HORIZON SHALL NOT BE LIABLE FOR SPECIAL, INDIRECT, INCIDENTAL OR CONSEQUENTIAL DAMAGES, LOSS OF PROFITS OR PRODUCTION OR COMMERCIAL LOSS IN ANY WAY, REGARDLESS OF WHETHER SUCH CLAIM IS BASED IN CONTRACT, WARRANTY, TORT, NEGLIGENCE, STRICT LIABILITY OR ANY OTHER THEORY OF LIABILITY, EVEN IF HORIZON HAS BEEN ADVISED OF THE POSSIBILITY OF SUCH DAMAGES. Further, in no event shall the liability of Horizon exceed the individual price of the Product on which liability is asserted. As Horizon has no control over use, setup, final assembly, modification or misuse, no liability shall be assumed nor accepted for any resulting damage or injury. By the act of use, setup or assembly, the user accepts all resulting liability. If you as the purchaser or user are not prepared to accept the liability associated with the use of the Product, purchaser is advised to return the Product immediately in new and unused condition to the place of purchase.

### Law

These terms are governed by Illinois law (without regard to conflict of law principals). This warranty gives you specific legal rights, and you may also have other rights which vary from state to state. Horizon reserves the right to change or modify this warranty at any time without notice.

### WARRANTY SERVICES

#### Questions, Assistance, and Services

Your local hobby store and/or place of purchase cannot provide warranty support or service. Once assembly, setup or use of the Product has been started, you must contact your local distributor or Horizon directly. This will enable Horizon to better answer your questions and service you in the event that you may need any assistance. For questions or assistance, please visit our website at [www.horizonhobby.com](http://www.horizonhobby.com), submit a Product Support Inquiry, or call the toll free telephone number referenced in the Warranty and Service Contact Information section to speak with a Product Support representative.

### Inspection or Services

If this Product needs to be inspected or serviced and is compliant in the country you live and use the Product in, please use the Horizon Online Service Request submission process found on our website or call Horizon to obtain a Return Merchandise Authorization (RMA) number. Pack the Product securely using a shipping carton. Please note that original boxes may be included, but are not designed to withstand the rigors of shipping without additional protection. Ship via a carrier that provides tracking and insurance for lost or damaged parcels, as Horizon is not responsible for merchandise until it arrives and is accepted at our facility. An Online Service Request is available at [http://www.horizonhobby.com/content/service-center\\_render-service-center](http://www.horizonhobby.com/content/service-center_render-service-center). If you do not have internet access, please contact Horizon Product Support to obtain a RMA number along with instructions for submitting your product for service. When calling Horizon, you will be asked to provide your complete name, street address, email address and phone number where you can be reached during business hours. When sending product into Horizon, please include your RMA number, a list of the included items, and a brief summary of the problem. A copy of your original sales receipt must be included for warranty consideration. Be sure your name, address, and RMA number are clearly written on the outside of the shipping carton.

**NOTICE: Do not ship Li-Po batteries to Horizon. If you have any issue with a Li-Po battery, please contact the appropriate Horizon Product Support office.**

### Warranty Requirements

**For Warranty consideration, you must include your original sales receipt verifying the proof-of-purchase date.** Provided warranty conditions have been met, your Product will be serviced or replaced free of charge. Service or replacement decisions are at the sole discretion of Horizon.

### Non-Warranty Service

**Should your service not be covered by warranty, service will be completed and payment will be required without notification or estimate of the expense unless the expense exceeds 50% of the retail purchase cost.** By submitting the item for service you are agreeing to payment of the service without notification. Service estimates are available upon request. You must include this request with your item submitted for service. Non-warranty service estimates will be billed a minimum of ½ hour of labor. In addition you will be billed for return freight. Horizon accepts money orders and cashier's checks, as well as Visa, MasterCard, American Express, and Discover cards. By submitting any item to Horizon for service, you are agreeing to Horizon's Terms and Conditions found on our website [http://www.horizonhobby.com/content/service-center\\_render-service-center](http://www.horizonhobby.com/content/service-center_render-service-center).

**ATTENTION: Horizon service is limited to Product compliant in the country of use and ownership. If received, a non-compliant Product will not be serviced. Further, the sender will be responsible for arranging return shipment of the un-serviced Product, through a carrier of the sender's choice and at the sender's expense. Horizon will hold non-compliant Product for a period of 60 days from notification, after which it will be discarded.**

10/15

## WARRANTY AND SERVICE CONTACT INFORMATION

Country of Purchase	Horizon Hobby	Contact Information	Address
United States of America	Horizon Service Center (Repairs and Repair Requests)	<a href="http://servicecenter.horizonhobby.com/RequestForm/">servicecenter.horizonhobby.com/RequestForm/</a>	2904 Research Rd Champaign, Illinois 61822 USA*
	Horizon Product Support (Product Technical Assistance)	<a href="mailto:productsupport@horizonhobby.com">productsupport@horizonhobby.com</a> 877-504-0233	
	Sales	<a href="mailto:websales@horizonhobby.com">websales@horizonhobby.com</a> 800-338-4639	
European Union	Horizon Technischer Service	<a href="mailto:service@horizonhobby.eu">service@horizonhobby.eu</a> +49 (0) 4121 2655 100	Hanskampring 9 D 22885 Barsbüttel, Germany
	Sales: Horizon Hobby GmbH		

\*For the most up-to-date customer service contact information, please visit: [www.horizonhobby.com/content/service-center-render-service-center](http://www.horizonhobby.com/content/service-center-render-service-center)

## FCC AND CANADA COMPLIANCE INFORMATION

**FCC ID: BRWSPMSLT300**  
**FCC ID: BRWSRIRVINGV1**

This equipment complies with FCC and IC radiation exposure limits set forth for an uncontrolled environment. This equipment should be installed and operated with minimum distance 20cm between the radiator and/or antenna and your body (excluding fingers, hands, wrists, ankles and feet). This transmitter must not be co-located or operating in conjunction with any other antenna or transmitter.

### Supplier's Declaration of Conformity

This device complies with part 15 of the FCC Rules. Operation is subject to the following two conditions: (1) This device may not cause harmful interference, and (2) this device must accept any interference received, including interference that may cause undesired operation.

**CAUTION:** changes or modifications not expressly approved by the party responsible for compliance could void the user's authority to operate the equipment.

**NOTE:** This equipment has been tested and found to comply with the limits for a Class B digital device, pursuant to part 15 of the FCC Rules. These limits are designed to provide reasonable protection against harmful interference in a residential installation. This equipment generates, uses and can radiate radio frequency energy and, if not installed and used in accordance with the instructions, may cause harmful interference to radio communications. However, there is no guarantee that interference will not occur in a particular installation. If this equipment does cause harmful interference to radio or television reception, which can be determined by turning the equipment off and on, the user is encouraged to try to correct the interference by one or more of the following measures:

- Reorient or relocate the receiving antenna.
- Increase the separation between the equipment and receiver.
- Connect the equipment into an outlet on a circuit different from that to which the receiver is connected.
- Consult the dealer or an experienced radio/TV technician for help.

Horizon Hobby, LLC  
2904 Research Rd., Champaign, IL 61822  
Email: [compliance@horizonhobby.com](mailto:compliance@horizonhobby.com)  
Web: [HorizonHobby.com](http://HorizonHobby.com)

## COMPLIANCE INFORMATION FOR THE EUROPEAN UNION



### EU Compliance Statement:

Hereby, Horizon Hobby, LLC declares that the device is in compliance with the following: EU Radio Equipment Directive 2014/53/EU; RoHS 2 Directive 2011/65/EU; RoHS 3 Directive - Amending 2011/65/EU Annex II 2015/863.

The full text of the EU declaration of conformity is available at the following internet address: <https://www.horizonhobby.com/content/support-render-compliance>.

**NOTE:** This product contains batteries that are covered under the 2006/66/EC European Directive, which cannot be disposed of with normal household waste. Please follow local regulations.

### Wireless Frequency Range and Wireless Output Power:

**Transmitter:**  
2403–2480MHz  
16.3dBm  
**Receiver:**  
2404–2476MHz  
-1.33dBm

### Australia/New Zealand



## IC INFORMATION

**CAN ICES-3 (B)/NMB-3(B)**  
**IC: 6157A-SPMSLT300**  
**IC: 6157A-SRIRVINGV1**

This device contains license-exempt transmitter(s)/receivers(s) that comply with Innovation, Science, and Economic Development Canada's license-exempt RSS(s). Operation is subject to the following 2 conditions:

1. This device may not cause interference.
2. This device must accept any interference, including interference that may cause undesired operation of the device.

### EU Manufacturer of Record:

Horizon Hobby, LLC  
2904 Research Road  
Champaign, IL 61822 USA

### EU Importer of Record:

Horizon Hobby, GmbH  
Hanskampring 9  
22885 Barsbüttel Germany

### WEEE NOTICE:



This appliance is labeled in accordance with European Directive 2012/19/EU concerning waste of electrical and electronic equipment (WEEE). This label indicates that this product should not be disposed of with household waste. It should be deposited at an appropriate facility to enable recovery and recycling.



**HINWIES**

Alle Anweisungen, Garantien und dazugehörigen Dokumente können ohne Ankündigung von Horizon Hobby, LLC geändert werden. Eine aktuelle Version ersehen Sie bitte im Support Feld unter [www.horizonhobby.com](http://www.horizonhobby.com) oder [www.towerhobbies.com](http://www.towerhobbies.com) im Support-Abschnitt für das Produkt.

**ERKLÄRUNG DER BEGRIFFE**

Die folgenden Begriffe werden in der gesamten Produktliteratur verwendet, um auf unterschiedlich hohe Gefahrenrisiken beim Betrieb dieses Produkts hinzuweisen:

**WARNUNG:** Wenn diese Verfahren nicht korrekt befolgt werden, ergeben sich wahrscheinlich Sachschäden, Kollateralschäden und schwere Verletzungen ODER mit hoher Wahrscheinlichkeit oberflächliche Verletzungen.

**ACHTUNG:** Wenn diese Verfahren nicht korrekt befolgt werden, ergeben sich wahrscheinlich Sachschäden UND die Gefahr von schweren Verletzungen.

**HINWEIS:** Wenn diese Verfahren nicht korrekt befolgt werden, können sich möglicherweise Sachschäden UND geringe oder keine Gefahr von Verletzungen ergeben.

**! WARNUNG:** Lesen Sie die GESAMTE Bedienungsanleitung, um sich vor dem Betrieb mit den Produktfunktionen vertraut zu machen. Wird das Produkt nicht korrekt betrieben, kann dies zu Schäden am Produkt oder persönlichem Eigentum führen oder schwere Verletzungen verursachen. Dies ist ein hochentwickeltes Hobby-Produkt. Es muss mit Vorsicht und gesundem Menschenverstand betrieben werden und benötigt gewisse mechanische Grundfähigkeiten. Wird dieses Produkt nicht auf eine sichere und verantwortungsvolle Weise betrieben, kann dies zu Verletzungen oder Schäden am Produkt oder anderen Sachwerten führen. Versuchen Sie nicht ohne Genehmigung durch Horizon Hobby, LLC, das Produkt zu zerlegen, es mit inkompatiblen Komponenten zu verwenden oder auf jegliche Weise zu erweitern. Diese Bedienungsanleitung enthält Anweisungen für Sicherheit, Betrieb und Wartung. Es ist unbedingt notwendig, vor Zusammenbau, Einrichtung oder Verwendung alle Anweisungen und Warnhinweise im Handbuch zu lesen und zu befolgen, damit es bestimmungsgemäß betrieben werden kann und Schäden oder schwere Verletzungen vermieden werden.

**! WARNUNG ZU GEFÄLSCHTEN PRODUKTEN** Bitte kaufen Sie Ihre Spektrum Produkte immer von einem autorisiertem Händler um sicher zu stellen, dass Sie ein authentisches hochqualitatives original Spektrum Produkt gekauft haben. Horizon Hobby lehnt jede Unterstützung, Service oder Garantieleistung von gefälschten Produkten oder Produkten ab die von sich in Anspruch nehmen kompatibel mit Spektrum oder DSM zu sein.

**Nicht geeignet für Kinder unter 14 Jahren. Dies ist kein Spielzeug.**

**SICHERHEITSHINWEISE UND WARNUNGEN**

Als Nutzer dieses Produktes, sind Sie allein verantwortlich, es in einer Art und Weise zu benutzen, die eine eigene Gefährdung und die anderer oder Beschädigung an anderem Eigentum ausschließt.

Das Modell ist ferngesteuert und anfällig für bestimmte äußere Einflüsse. Diese Einflüsse können zum vorübergehenden Verlust der Steuerfähigkeit führen, so dass es immer sinnvoll ist genügend Sicherheitsabstand in alle Richtungen um das Modell zu haben.

- Fahren Sie das Modell nie mit fast leeren oder schwachen Senderbatterien.
- Betreiben Sie Ihr Modell stets auf offenen Geländen, weit ab von Automobilen, Verkehr und Menschen.
- Fahren Sie Ihr Modell nicht auf der Straße oder belebten Plätzen.
- Beachten Sie vorsichtig alle Hinweise und Warnungen für das Modell und allen dazu gehörigen Equipment.

- Halten Sie alle Chemikalien, Kleinteile und elektrische Bauteile aus der Reichweite von Kindern.
- Lecken Sie niemals an Teilen von Ihrem Modell oder nehmen diese in den Mund, da diese Sie ernsthaft verletzen oder töten können.
- Seien Sie immer aufmerksam wenn Sie Werkzeug oder scharfe Instrumente verwenden.
- Seien Sie bei dem Bau vorsichtig, da einige Teile scharfe Kanten haben könnten.
- Fassen Sie bitte unmittelbar nach dem Betrieb nicht den Motor, Regler oder Akku an, da diese Teile sich sehr erwärmen können und Sie sich bei dem berühren ernsthaft verbrennen können.
- Fassen Sie nicht in drehende oder sich bewegende Teile, da sich ernsthaft dabei verletzen können.
- Schalten Sie immer zuerst den Sender ein, bevor Sie den Empfänger im Fahrzeug einschalten.
- Stellen Sie das Fahrzeug mit den Rädern nicht auf den Boden, wenn Sie die Funktionen überprüfen.

**INHALTSVERZEICHNIS**

<b>REGISTRIEREN SIE IHR LOSI PRODUKT ONLINE</b> .....	<b>11</b>	<b>LAUFZEIT</b> .....	<b>15</b>
<b>LIEFERUMFANG</b> .....	<b>12</b>	SO VERLÄNGERN SIE DIE LAUFZEIT .....	15
BAUTEILE .....	12	<b>DURCHFÜHREN EINES STEUERTEST</b> .....	<b>15</b>
<b>WASSERFESTES FAHRZEUG MIT SPRITZWASSERGESCHÜTZTER ELEKTRONIK</b> .....	<b>12</b>	<b>SPEKTRUM FIRMA 100A 2-3S BÜRSTENLOSER SMART-GESCHWINDIGKEITSREGLER (SPMXSE1100)</b> .....	<b>15</b>
ALLGEMEINE SICHERHEITSHINWEISE .....	12	KALIBRIERUNG VON GESCHWINDIGKEITSREGLER UND SENDER .....	15
WARTUNGSANLEITUNG NACH FAHRTEN IN NASSER UMGEBUNG .....	12	PROGRAMMIERBARE OPTIONEN FÜR FIRMA 100A .....	15
<b>QUICK START</b> .....	<b>12</b>	BESCHREIBUNGEN .....	16
<b>LADEN DES AKKUS</b> .....	<b>12</b>	VORGEHENSWEISE ZUM PROGRAMMIEREN DES GESCHWINDIGKEITSREGLERS .....	15
<b>EINSETZEN DES AKKUS</b> .....	<b>13</b>	<b>SPEKTRUM 3652 4-POLIGER BÜRSTENLOSER-MOTOR 6.500 KV (DYN51495)</b> .....	<b>17</b>
<b>SENDERFUNKTIONEN</b> .....	<b>13</b>	SICHERHEITSHINWEISE .....	17
EINSETZEN DER SENDERBATTEREIEN .....	13	ÜBERSETZUNG .....	17
<b>SPMSR315 EMPFÄNGER MIT DUAL-PROTOKOLL</b> .....	<b>14</b>	WECHSEL DES RITZELS/ ÜBERSETZUNG .....	17
<b>EMPFÄNGERANTENNE</b> .....	<b>14</b>	EINSTELLEN DES ZAHNFLANKENSPIELS .....	17
<b>BINDEN</b> .....	<b>14</b>	<b>PROBLEMLÖSUNG</b> .....	<b>17</b>
<b>SERVO-VERFAHRWEG</b> .....	<b>14</b>	<b>GARANTIE UND SERVICE INFORMATIONEN</b> .....	<b>18</b>
<b>SICHERHEITSHINWEISE BEIM FAHREN</b> .....	<b>14</b>	<b>GARANTIE UND SERVICE KONTAKTINFORMATIONEN</b> .....	<b>18</b>
<b>EINSCHALTEN DES FAHRZEUGES</b> .....	<b>14</b>	<b>RECHTLICHE INFORMATIONEN FÜR DIE EUROPÄISCHE UNION</b> .....	<b>18</b>
<b>BEVOR SIE IHR FAHRZEUG FAHREN</b> .....	<b>15</b>		
<b>EINSTELLEN DES GAINWERTES</b> .....	<b>15</b>		

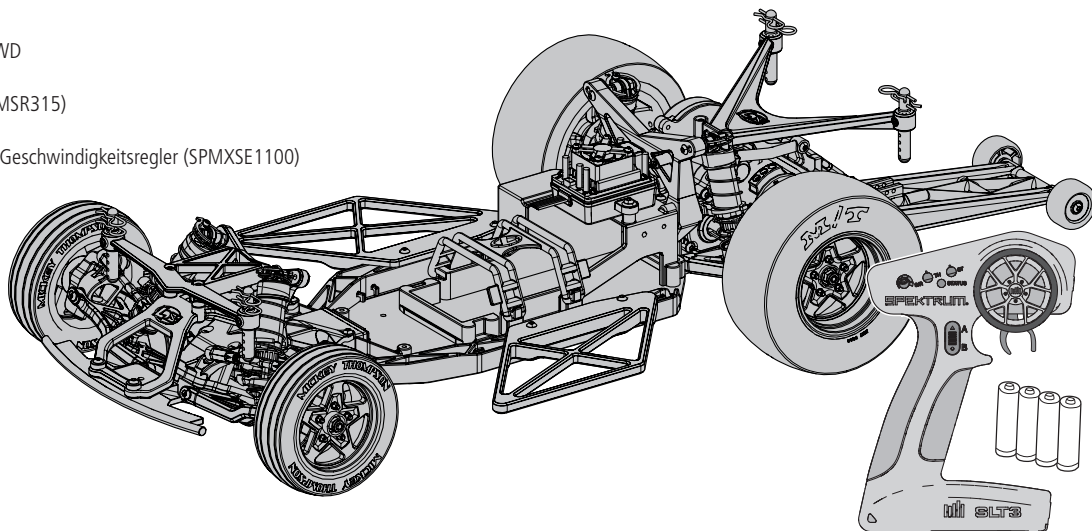
**REGISTRIEREN SIE IHR LOSI PRODUKT ONLINE**

Registrieren Sie Ihr Fahrzeug jetzt und erfahren Sie als erstes alles über optionale Teile, neue Produkte und vieles mehr. Wählen Sie [WWW.LOSI.COM](http://WWW.LOSI.COM) und folgen den Anweisungen des Registrierungs Links.

## LIEFERUMFANG

### BAUTEILE

- Losi 22S No Prep Drag Car, Brushless RTR: 1/10 2WD
- Spektrum SLT3 3-Kanal-Sender (SPMRSLT300)
- Spektrum Dual Protocol DMSR/SLT-Empfänger (SPMSR315)
- Spektrum 6KG Wasserdichter Servo (SPMS606)
- Spektrum FIRMA 100A 2–3S bürstenloser SMART-Geschwindigkeitsregler (SPMXSE1100)
- Spektrum 3652 4-poliger Bürstenloser-Motor 6.500 kV (SPMXSM2800)
- 4 AA-Akkus (für Sender)



## WASSERFESTES FAHRZEUG MIT SPRITZWASSERGESCHÜTZTER ELEKTRONIK

Ihr neues Horizon Hobby Fahrzeug wurde mit einer Kombination von wasserfesten und spritzwassergeschützten Komponenten ausgestattet, die den Betrieb des Fahrzeuges unter nassen Bedingungen inklusive Pfützen, Bächen, nassem Gras, Schnee oder sogar Regen ermöglichen.

Obwohl das Fahrzeug sehr wasserfest ausgelegt ist, ist es nicht vollständig wasserdicht und sollte NICHT wie ein U-Boot behandelt werden. Die verschiedenen elektronischen Komponenten wie der elektronische Fahrtregler (ESC), die Servos und Empfänger sind wasserdicht, die meisten mechanischen Komponenten sind nur wasserbeständig und sollten daher nicht untergetaucht werden.

Metallteile, inklusive Lager, Bolzen, Schrauben und Muttern wie auch die Kontakte in den elektrischen Kabeln sind für Korrosion anfällig wenn nicht zusätzliche Wartung nach jedem Betrieb in feuchter/nasser Umgebung erfolgt. Um die Langzeitleistung und die Garantie Ihres Fahrzeuges zu erhalten, müssen Sie die Wartung wie in der Wartungsanleitung nach Fahrten in nasser Umgebung beschrieben durchführen. Sollten Sie diese zusätzliche Wartung nicht ausführen wollen, dürfen Sie Ihr Fahrzeug unter diesen Bedingungen nicht betreiben.

**⚠️ ACHTUNG:** Mangelnde Aufmerksamkeit bei dem Gebrauch dieses Produktes in Verbindung mit den folgenden Sicherheitshinweisen könnte zu Fehlfunktionen und zum Verlust der Garantie führen.

### ALLGEMEINE SICHERHEITSHINWEISE

- Bitte lesen Sie sich die Wartungsanleitung nach Fahrten in nasser Umgebung sorgfältig durch und stellen sicher, dass Sie alle Werkzeuge für eine Wartung des Fahrzeuges haben.
- Sie können nicht alle Akkutypen für Fahrten in nasser Umgebung nutzen. Fragen Sie dazu vor dem Einsatz den Hersteller des Akkus. Achtsamkeit und Vorsicht ist notwendig wenn Sie LiPo Akkus in feuchten Umgebungen einsetzen.
- Die meisten Sender sind nicht wasserfest. Sehen Sie bitte dazu vor Inbetriebnahme in der Bedienungsanleitung Ihres Senders nach oder kontaktieren Sie den Hersteller.
- Nehmen Sie niemals den Sender bei Blitzen oder Gewitter in Betrieb.
- Betreiben Sie Ihr Fahrzeug nicht an Orten wo es in Kontakt mit Salzwasser oder verschmutzten, belasteten Gewässern kommen kann. Salzwasser ist sehr leitend und stark korrosionsfördernd, sein Sie daher sehr achtsam.
- Schon geringer Wasserkontakt kann den Motor beschädigen wenn er nicht für den Betrieb in Wasser ausgelegt ist. Sollte der Motor nass geworden sein geben Sie etwas Gas bis die meiste Feuchtigkeit vom Motor entfernt ist. Lassen Sie einen nassen Motor auf hoher Geschwindigkeit laufen wird dieses den Motor sehr schnell beschädigen.

- Fahren in nasser Umgebung kann die Lebenszeit des Motors reduzieren, da dieses den Motor stark beansprucht. Verändern Sie die Untersetzung zu einem kleinerem Ritzel oder größeren Zahnrad. Dieses erhöht das Drehmoment (und verlängert die Motorlebensdauer) bei dem Betrieb in Matsch, tieferen Pfützen oder anderen Bedingungen, die die Last des Motors für einen längeren Zeitraum erhöhen.

### WARTUNGSANLEITUNG NACH FAHRTEN IN NASSER UMGEBUNG

- Entfernen Sie Wasser in den Reifen durch Gas geben. Nehmen Sie die Karosserie ab, drehen das Fahrzeug auf den Kopf und geben ein paar Mal kurz Vollgas bis das Wasser aus dem Reifen entfernt ist.

**⚠️ ACHTUNG:** Entfernen Sie Wasser in den Reifen durch Gas geben. Nehmen Sie die Karosserie ab, drehen das Fahrzeug auf den Kopf und geben ein paar Mal kurz Vollgas bis das Wasser aus dem Reifen entfernt ist.

- Entfernen Sie die Akkupacks und trocknen die Kontakte. Sollten Sie einen Kompressor oder Druckluft zur Verfügung haben, blasen Sie damit das Wasser aus dem Motorgehäuse.
- Nehmen Sie die Reifen und Felgen vom Fahrzeug ab und spülen Sie vorsichtig mit einem Gartenschlauch ab. Vermeiden Sie die Lager oder den Antrieb direkt zu spülen.

**HINWEIS:** Verwenden Sie keinen Hochdruckreiniger um das Fahrzeug zu reinigen.

- Reinigen Sie das Fahrzeug mit Druckluft aus einem Kompressor oder einer Druckluftflasche und entfernen so das Wasser aus den Spalten und Ecken.
- Sprühen Sie alle Lager, Befestigungen und andere Metallteile mit einem wasserverdrängendem Leichtöl oder Schmiermittel ein. Sprühen Sie nicht den Motor ein.
- Lassen Sie das Fahrzeug vor dem Einlagern vollständig trocknen. Das Abtropfen von Wasser (und Öl) kann durchaus ein paar Stunden dauern.
- Erhöhen Sie die Wartungsintervalle (Demontage, Inspektion und schmieren) von folgenden Komponenten:
  - Vorder- und Hinterachse, Aufnahme und Lager.
  - Alle Antriebswellen Lager, Gehäuse, Getriebe und Differentiale.
  - Motor: reinigen Sie den Motor mit einem Aerosol Reiniger und ölen Sie dann die Lager mit leichtem Motoröl.

## QUICK START

Bitte lesen die gesamte Bedienungsanleitung um den 22S RTR vollständig zu verstehen, einzustellen und Wartungen durchzuführen.

1. Bitte lesen Sie die Sicherheitshinweise in dieser Bedienungsanleitung.
2. Laden Sie den Fahrzeugakku. Lesen Sie die Warnungen zum Akku laden und Anweisungen zum Laden der Akkus
3. Setzen Sie die AA Batterien in den Sender ein. Verwenden Sie nur Alkaline Batterien oder wiederaufladbare Akkus.
4. Setzen Sie den vollständig geladenen Akku im Fahrzeug ein.
5. Schalten Sie immer erst den Sender und dann das Fahrzeug ein. Warten Sie 5 Sekunden damit sich der Regler initialisieren kann. Beim Ausschalten schalten Sie immer zuerst das Fahrzeug aus und dann den Sender.
6. Überprüfen Sie die Richtung von Lenkung und Gas. Überprüfen Sie ob die Servos in die richtige Richtung arbeiten.
7. Fahren Sie das Fahrzeug.
8. Erst das Fahrzeug und dann den Sender AUSSCHALTEN.
9. Den Akku trennen und vom Fahrzeug entfernen.
10. Führen Sie die erforderlichen Wartungsarbeiten durch.

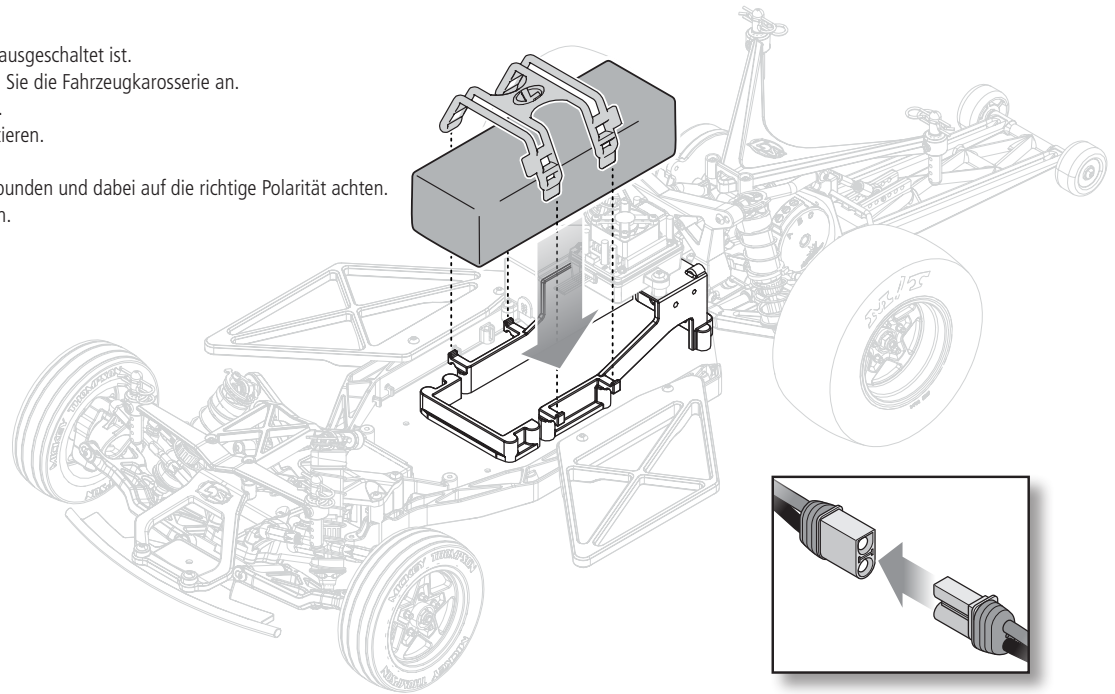
## LADEN DES AKKUS

Achten Sie darauf, einen Akku zu verwenden, der für den bürstenlosen SMART-GESCHWINDIGKEITSREGLER Spektrum™ FIRMA 100A 2–3s geeignet ist. Wir empfehlen den Spektrum™ 7,4 V 5.000 mAh 2S 100C Smart-Hartschalen-LiPo-Akku mit IC5-Stecker (SPMX50002S100H5). Wählen Sie ein Ladegerät, das für das Laden von 2S und/oder 3S

Li-Po Akkus vorgesehen ist. Wir empfehlen das Spektrum™ SMART S1200 Wechselstrom-Ladegerät, 1 x 200 W (SPMXC1000). In den Bedienungsanleitungen für Akku und Ladegerät finden Sie Informationen zur Nutzung, Sicherheit und zum Laden.

## EINSETZEN DES AKKUS

1. Sicherstellen, dass der Geschwindigkeitsregler ausgeschaltet ist.
2. Entfernen Sie die Gehäuseklemmen und heben Sie die Fahrzeugkarosserie an.
3. Die Elastomerbänder von den Akkus entfernen.
4. Den voll aufgeladenen Akku im Fahrzeug montieren.
5. Die Elastomerbänder wieder anbringen.
6. Den Akku mit dem Geschwindigkeitsregler verbunden und dabei auf die richtige Polarität achten.
7. Den Sender und dann das Fahrzeug einschalten.



## SENDERFUNKTIONEN

### Spezifikationen

**Netzteil:** 4 AA-Akkus

**Betriebsfrequenz:** 2,4 GHz

**Senderleistung:** < 100 mW

**Steuerprotokoll:** SLT

**Steuerung:** Proportionalsteuerung und Gas/Bremse mit Trimmungsknöpfen, dritter Kanal mit 3-Positionen-Schalter

**Zusatzfunktionen:** Gasbegrenzer mit 3 Positionen, Stellerratenknopf zum spontanen Ändern des Steuerfahrwegs, programmierbarer Servo-Verfahrweg für Steuerung und Gas/Bremse

### A. Gastrimmung

Zur Anpassung des Gasnullpunktes

### B. Steuertrimmung

Zur Anpassung des Steuermittelpunktes. Normalerweise wird die Steuertrimmung solange eingestellt, bis das Fahrzeug gerade in der Spur läuft.

### C. LEDs

- **Durchgängig rot:** Zeigt an, dass die Stromversorgung eingeschaltet ist und eine angemessene Akku-Leistung vorliegt
- **Rot blinkend:** Zeigt an, dass die Akku-Spannung kritisch niedrig ist. Akkus ersetzen

### D. Steuerrad

### E. Gas/Bremse

### F. Stellerrate

Knopf für die spontane Wegverstellung auf der Steuerung

### G. Kanal 3

3-Positionen-Schalter, mittlere Position ist Neutral

Zum Programmieren nach oben für Schalter A drücken und für Schalter B nach unten

### H. Begrenzung Gaszufuhr

Begrenzt die Gaszufuhr auf 50/75/100 %

50 oder 75 % für Fahrer mit weniger Erfahrung wählen oder wenn das Fahrzeug in einem kleinen Gebiet gefahren wird.

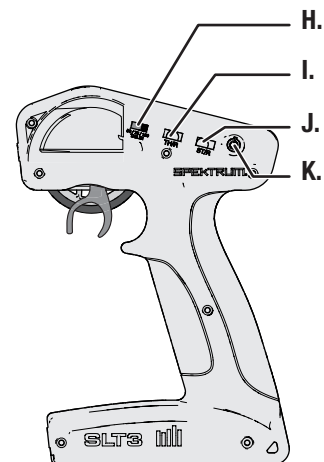
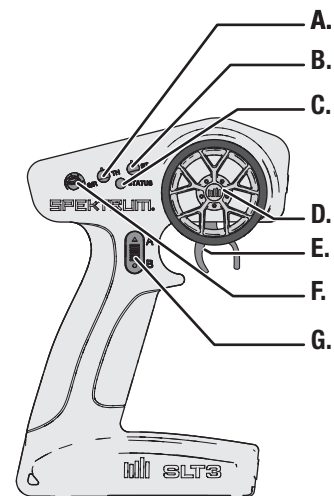
### I. Gas (TH) Umkehren der Servolaufrichtung

Den Schalter bewegen, um den Gaskanal umzukehren

### J. Steuerung (ST) Umkehren der Servolaufrichtung

Den Schalter bewegen, um den Steuerkanal umzukehren

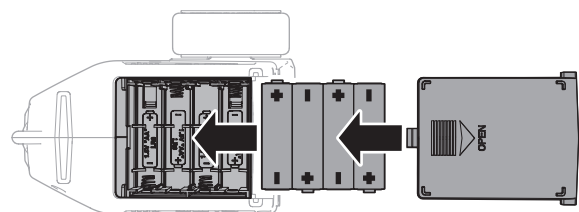
### K. Ein-/Ausshalter



## EINSETZEN DER SENDERBATTEREIEN

Für diesen Sender werden 4 AA-Akkus benötigt.

1. Die Akku-Abdeckung vom Sender entfernen.
2. Die Akkus entsprechend der Abbildung einsetzen.
3. Die Akku-Abdeckung wieder montieren.



**ACHTUNG:** Entfernen Sie niemals Batterien aus dem Sender, während das Modell eingeschaltet ist. Ein Verlust der Kontrolle über das Modell, Schäden oder Verletzungen können auftreten.

**ACHTUNG:** Wenn Sie wiederaufladbare Akkus verwenden dürfen Sie nur diese laden. Das Laden von nicht aufladbaren Batterien könnte diese zur Explosion bringen, was Sach- und Personenschäden zur Folge haben könnte.

**ACHTUNG:** Es besteht Explosionsrisiko wenn die Akkus durch einen falschen Typ ersetzt werden. Entsorgen Sie verbrauchte Batterien den Vorschriften entsprechend.



## SPMSR315 EMPFÄNGER MIT DUAL-PROTOKOLL

### SPEZIFIKATIONEN

**Typ:** Empfänger mit Dual-Protokoll und 3 Kanälen\* (SLT/DSMR)

**Abmessungen (L x B x H):** 32,5 x 21,5 x 12,4 mm

**Antennenlänge:** 90 mm

**Kanäle:** 3

**Gewicht:** 6 g

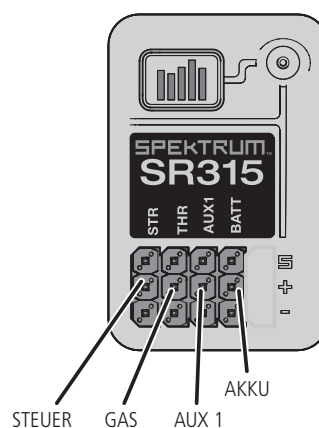
**Band:** 2,4 GHz

**Spannungsbereich:** 3,5–9,6 V

**Bindungstyp:** Bindungsschalter

**Failsafe:** Das Steuerrad und den Gasauslöser während des Bindens in den gewünschten Failsafe-Positionen halten

\*Die mit dem SLT3-Sender mitgelieferten SPMSR315-Empfänger weisen eine Kompatibilität mit SLT3 und DSMR auf. Wurde nur der SR315-Empfänger erworben, so muss unter Umständen eine Firmware-Aktualisierung installiert werden, damit der SR315 mit SLT kompatibel ist.



## EMPFÄNGERANTENNE

Die SR315-Empfänger bieten eine koaxiale Antenne zur einfachen Montage bei fast allen Modellen. Die letzten 32 mm (1 Zoll) an der Spitze der Antenne sind der aktive Teil der Antenne, der koaxiale Teil, der dort hinführt, stellt nur eine Erweiterung dar. Installieren Sie die Antenne so, dass der aktive Teil im Fahrzeug so hoch wie möglich positioniert wird und sich nicht „im Schatten“ von Kohlefasern oder Metall befindet. Das Gehäuse des Empfängers kann direkt ein Antennenrohr aufnehmen und ermöglicht so eine optimale und einfache Antennenplatzierung (Antennenrohr nicht im Lieferumfang enthalten).

**⚠️ WARNUNG:** Den Antennendraht nicht biegen, schneiden oder beschädigen. Die Antenne besteht aus einem Koaxialkabel. Ist der Außenmantel beschädigt, wird der Empfänger nicht korrekt funktionieren. Ist die Antenne auf irgendeine Weise beschädigt, diese ersetzen, ehe der Empfänger verwendet wird.

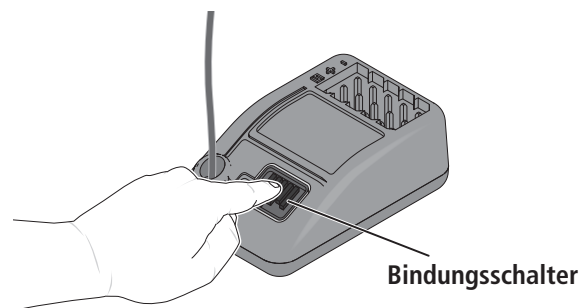
## BINDEN

Das Binden ist der Vorgang, durch den der Empfänger darauf programmiert wird, den GUID-Code (Globally Unique Identifier) eines einzelnen Senders zu erkennen.

1. Drücken und halten Sie den Bindungsschalter.
2. Den Empfänger einschalten. Die orangefarbene LED beginnt zu blinken.
3. Die Trimmungen und Steuerpositionen auf den gewünschten Failsafe-Einstellungen einrichten.
4. Schalten Sie den SLT3-Sender EIN.
5. Leuchtet die orangefarbene LED weiter, so ist er mit dem SR315-Empfänger verbunden.

Ein erneutes Binden muss erfolgen, wenn:

- Andere Failsafe-Positionen gewünscht werden, z. B. wenn Gas oder Steuerung geändert wurden.
- Der Empfänger an einen anderen Sender gebunden wird.



## SERVO-VERFAHRWEG

Der Servo-Verfahrweg auf den Kanälen Steuerung und Gas kann über einen speziellen Programmiermodus im Sender angepasst werden.

1. Damit beginnen, wenn das Binden des Senders am Empfänger abgeschlossen ist. Den Empfänger einschalten.
2. Ganz nach rechts und Vollbremsung halten, während der Sender eingeschaltet wird, um den Sender in den Programmiermodus zu bringen. Die LED auf dem Sender wird 4-mal blinken, um anzuzeigen, dass er sich im Programmiermodus befindet.
3. Das Rad vollständig nach links drehen und halten, um die Verfahrweggrenze für diese Richtung festzulegen. Die A-Taste zum Erhöhen des Verfahrwegs und die B-Taste zum Verkleinern des Verfahrwegs drücken. Die LED wird bei jeder Änderung einmal blinken. Das Rad wieder in die Mitte bringen, um den Wert des Verfahrwegs festzulegen.

4. Das Rad nach rechts drehen und den Vorgang wiederholen, um den Steuerverfahrweg nach rechts einzurichten.
5. Den Sender bei Elektrofahrzeugen zum Speichern der Einstellungen ausschalten. Den Geschwindigkeitsregler auf den standardmäßigen Gasverfahrweg kalibrieren.
6. Bei kraftstoffbetriebenen Fahrzeugen den Gasverfahrweg bei ausgeschaltetem Motor einrichten. Nach dem Einrichten des Steuerverfahrwegs den Gasverfahrweg mit demselben Vorgang einrichten. Vollgas gezogen halten und Verfahrweg mit den Tasten A und B anpassen. Zur Mitte zurückkehren, um den Wert festzulegen.
7. Vollbremsung drücken, Verfahrweg mit den Tasten A und B anpassen, zur Mitte zurückkehren
8. Den Sender zum Speichern der Werte ausschalten.

**WICHTIG:** Erreicht der Wert das Maximum oder Minimum, das akzeptiert werden kann, wird die LED bei weiteren Eingaben nicht blinken.

## SICHERHEITSHINWEISE BEIM FAHREN

- Halten Sie stets Blickkontakt zum Fahrzeug.
- Prüfen Sie das Fahrzeug auf lose Radteile.
- Prüfen Sie die Lenkbaugruppe auf lose Teile. Wenn Sie das Fahrzeug im Gelände fahren, können sich Befestigungen mit der Zeit lockern.
- Fahren Sie das Fahrzeug nicht in hohem Gras. Dadurch können das Fahrzeug oder die Elektronik beschädigt werden.
- Halten Sie das Fahrzeug an, wenn Sie bemerken, dass der Antrieb nachlässt. Wenn Sie das Fahrzeug mit schwachem Akku fahren, kann sich der Empfänger ausschalten. Dann können Sie die Kontrolle über das Fahrzeug verlieren. Schäden durch einen tiefentladenen LiPo Akku sind nicht durch die Garantie gedeckt.

**⚠️ ACHTUNG:** Entladen Sie einen Li-Po-Akku nicht unter 3 V pro Zelle. Akkus, die unter die angegebene Mindestspannung tiefentladen werden, können beschädigt werden, was die Leistung beeinträchtigen und möglicherweise beim Laden einen Brand verursachen kann.

- Drücken Sie den Gashebel nicht nach vorn oder hinten, wenn das Fahrzeug feststeckt. Wenn Sie in der Situation Gas geben kann der Motor oder der Regler (ESC) beschädigt werden.
- Lassen Sie nach jeder Fahrt die Elektronik auf Umgebungstemperatur abkühlen, bevor Sie das nächste Akkupack verwenden.

**WICHTIG:** Halten Sie alle Kabel weg von allen beweglichen Teilen.

## EINSCHALTEN DES FAHRZEUGES

1. Zentrieren Sie die ST TRIM und TH Trim Regler auf dem Sender.
2. Schalten Sie Sender ein.
3. Schließen Sie einen vollständig geladenen Akku an den Regler an.
4. Schalten Sie den Regler ein.

**WICHTIG:** Das Fahrzeug muß auf einem ebenen Untergrund vollkommen bewegungslos für mindestens 5 Sekunden stehen.

## BEVOR SIE IHR FAHRZEUG FAHREN

1. Überprüfen Sie die Aufhängung. Alle beweglichen Teile der Aufhängung müssen sich frei bewegen lassen. Jedes schwergängige Teil vermindert die Leistung.

**Tipp:** Installieren Sie die im Lieferumfang enthaltenen Stoßdämpferdistanzringe um die Fahrzeughöhe und Bodenfreiheit anzupassen.

2. Laden Sie den Akkupacks. Laden Sie den Akku stets nach den Vorgaben des Herstellers oder nach den Vorgaben des Ladegerätherstellers
3. Einstellen der Lenktrimmung am Sender. Folgen Sie den Anweisungen zum Einstellen der Trimm- und Subtrimmfunktion, so dass das Fahrzeug ohne Steuereingabe geradeaus fährt.
4. Führen Sie einen Steuertest durch.

## LAUFZEIT

Der größte Faktor bei der Fahrzeit ist die Kapazität des Akkupacks. Ein höherer mAh-Wert bedeutet eine längere Fahrzeit.

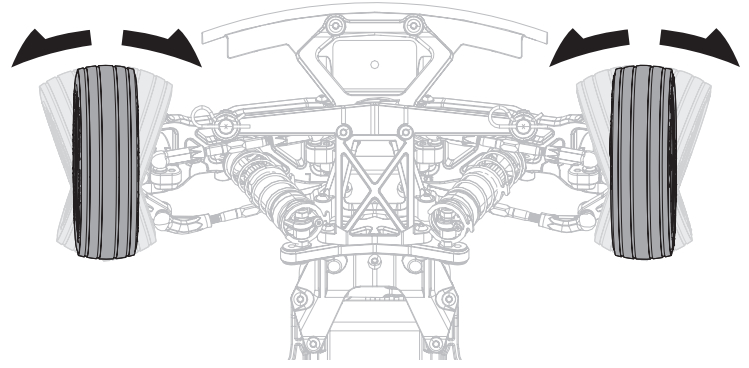
Der Zustand des Akkupacks ist ebenfalls ein wichtiger Faktor für Fahrzeit und Geschwindigkeit. Die Akkuanschlüsse können sich beim Fahren erhitzen. Akkus verlieren mit der Zeit an Leistung und Kapazität.

Wenn Sie das Fahrzeug wiederholt aus dem Stand auf die Höchstgeschwindigkeit beschleunigen, werden die Akkus und die Elektronik mit der Zeit beschädigt. Plötzliche Beschleunigung verkürzt außerdem die Fahrzeit.

## SO VERLÄNGERN SIE DIE LAUFZEIT

- Halten Sie Ihr Fahrzeug sauber und in gutem Wartungszustand.
- Erlauben Sie einen besseren Luftstrom zum Regler (ESC) und zum Motor.
- Wechseln Sie das Getriebe zu einem niedrigeren Übersetzungsverhältnis. Ein niedrigeres Übersetzungsverhältnis senkt die Betriebstemperatur der Elektronik. Verwenden Sie ein kleineres Ritzel oder ein größeres Stirnrad, um das Übersetzungsverhältnis zu senken.
- Verwenden Sie ein Akkupack mit einem höheren mAh-Wert.
- Verwenden Sie zum Laden ein geeignetes Ladegerät. Ihr Fachhändler berät Sie gerne.

## DURCHFÜHREN EINES STEUERTEST



Führen Sie den Funktionstest durch, ohne dass die Räder den Boden berühren. Sollten sich die Räder nach dem Einschalten drehen, justieren Sie die Gastrimmung mit TH Trim Knopf bis die Räder stoppen. Um die Räder nach vorne drehen zu lassen, ziehen Sie den Gashebel. Um rückwärts zu fahren warten Sie bis die Räder zum Stillstand gekommen sind und drücken dann den Hebel nach vorne. Bei der Vorwärtsfahrt sollte das Fahrzeug ohne Lenkeingabe geradeaus fahren. Falls nicht justieren Sie die Lenktrimmung mit dem ST Knopf bis das Fahrzeug geradeaus fährt.

## SPEKTRUM FIRMA 100A 2-3S BÜRSTENLOSER SMART-GESCHWINDIGKEITSREGLER (SPMXSE1100)

### KALIBRIERUNG VON GESCHWINDIGKEITSREGLER UND SENDER

1. Beginnen Sie mit dem Binden von Sender und Empfänger.
2. Richten Sie den Gaskanal des Senders auf 100 % Fahrweg und Trimmung auf Neutral.
3. Schalten Sie Ihren Sender ein und schließen Sie einen Akku an den Geschwindigkeitsregler an, ohne diesen einzuschalten.
4. Halten Sie die Set-Taste gedrückt, während Sie den Geschwindigkeitsregler einschalten. Lassen Sie die Set-Taste los, wenn die rote LED mit Blinken beginnt. Der Geschwindigkeitsregler wird in den Programmiermodus wechseln, wenn die Taste für mehr als drei Sekunden gedrückt wird.

**TIPP:** Die rote LED sollte blinken, wenn der Geschwindigkeitsregler in den Kalibrierungsmodus wechselt. Blinkt die grüne LED, so befindet sich der Geschwindigkeitsregler im Programmiermodus.

5. Belassen Sie den Gasauslöser in der neutralen Position, drücken Sie dann die Set-Taste und geben Sie diese frei. Die rote LED blinkt nicht länger, die grüne LED blinkt einmal und der Motor wird einen Ton abgeben, um anzuzeigen, dass die neutrale Position akzeptiert wurde.
6. Halten Sie den Gasauslöser in der Vollgas-Position, drücken Sie dann die Set-Taste und geben Sie diese frei. Die grüne LED wird zweimal blinken und der Motor wird zwei Töne abgeben, um anzuzeigen, dass die Vollgas-Position akzeptiert wurde.
7. Halten Sie den Gasauslöser in der Vollbremse-Position, drücken Sie dann die Set-Taste und geben Sie diese frei. Die grüne LED blinkt dreimal und der Motor wird drei Töne abgeben, um anzuzeigen, dass die Vollbremse-Position akzeptiert wurde.

Der Motor wird nach dem Abschluss der Kalibrierung normal arbeiten.

### PROGRAMMIERBARE OPTIONEN FÜR FIRMA 100A

PROGRAMME	PROGRAMMIERBARE EINSTELLUNGEN							
	1	2	3	4	5	6	7	8
1 Batterietyp	LiPo	NiMh						
2 Startmodus (Punch)	Stufe 1	Stufe 2	Stufe 3	Stufe 4	Stufe 5			
3 Maximale Bremskraft	25%	37,50%	50%	62,50%	75%	87.50%	100%	
4 Betriebsmod	Vorwärts/Rückwärts mit Bremse	Vorwärts mit Bremse						
5 Motorumdrehung	CCW	CW						
6 BEC-Spannung	6,0V	7,4V						
7 Timing	0°	3,75°	7,5°	11,25°	15°	18,75°	22,5°	26,25°

■ Werkseinstellungen

## BESCHREIBUNGEN

### Batterietyp

Mit dieser Einstellung können Sie die Batteriechemie ändern. Eine Änderung dieser Einstellung ändert nur die Abschaltspannung. Die Auswahl von LiPo verhindert eine Überentladung Ihres LiPo-Akkus. Die Auswahl von NiMH entfernt die Niedrigtrennschaltung und erlaubt es, die Batterie viel weiter zu entleeren. Diese Einstellung ist kritisch, wenn ein LiPo-Akku mit ausgewähltem NiMH verwendet wird. Dies kann zu ernsthaften Schäden an einem LiPo-Akku führen und/oder einen Brand verursachen. Einen LiPo-Akku nie im LiPo-Modus verwenden.

### Startmodus

Legt den anfänglichen Schub fest, wenn das Auto beschleunigt. Stufe 1 ergibt eine sehr gleichmäßige Anfangsbeschleunigung und Stufe 4 ergibt eine stärkere Anfangsbeschleunigung.

### Punch

Wählen Sie aus der Start-Modus Stufe 1 (Weich) bis Stufe 9 (Sehr aggressiv). Falls Sie die Stufen 7-9 wählen, dann verwenden Sie ein hochwertiges Akkupack mit einer leistungsstarken Ausgabefähigkeit. Ohne ein hochwertiges Akkupack erzeugen die Stufen keine explosionsartige Wirkung beim Start. Läuft der Motor nicht ruhig (d. h., er flattert), so wählen Sie einen besseren Akku oder erhöhen Sie das Übertragungsverhältnis.

### Maximale Bremskraft

Passen Sie die Höhe der maximalen Bremskraft, die auf den Motor wirkt, an. Diese Kraft bestimmt den Bewegungswiderstand, wenn beide Bremsen vollständig betätigt werden. Die Einstellung dieses Wertes hilft dem Fahrzeug beim Abbremsen. Wenn die Einstellung zu hoch ist, können die Reifen blockieren, wodurch das Fahrzeug außer Kontrolle gerät. Wenn die Einstellung zu niedrig ist, benötigt das Fahrzeug lange, bis es langsamer wird.

### Betriebsmode

- *Vorwärts mit Bremse*  
Geeignet für den Wettbewerbsbetrieb. Dieser Mode erlaubt nur Vorwärtsfahrt und Bremse.
- *Vorwärts/Rückwärts mit Bremse*  
Dieser Mode ist ein echter Universal Mode der Vorwärtsfahrt, Rückwärtsfahrt und Bremskontrolle ermöglicht. Um Rückwärts während der Vorwärtsfahrt zu aktivieren bremsen Sie bis das Fahrzeug steht, lassen die Bremse los und geben erneut Bremse. Wird während der Bremse oder Rückwärtsfahrt Vorwärts gegeben wird das Fahrzeug.

### 5) Motorumdrehung

Durch die Einstellung der Motordrehung im Geschwindigkeitsregler kann der Motor im Uhrzeigersinn und gegen den Uhrzeigersinn betrieben werden. Diese Einstellung ermöglicht eine schnelle Installation von Motor und Geschwindigkeitsregler, ohne dass Motordrähte vertauscht werden müssen, um einen Vorwärtsantrieb zu erreichen. Wenn sich Ihr Fahrzeug bei Vorwärtsgas rückwärts bewegt, ändern Sie diese Einstellung, um die gewünschten Ergebnisse zu erzielen.

### BEC-Spannung

Passt die Spannung an, die an den Empfänger gesendet wird. Der Akkusperkreis (battery eliminator circuit, BEC) ermöglicht mit einem einzigen Akku, dass Motor und Radioteile Leistung erhalten. Die Ausgangsspannung kann angepasst werden, um Komponenten zu integrieren, die mit einer Spannung von 6,0–7,4 Volt arbeiten.

### Timing

Der Motor des Geschwindigkeitsreglers wird mithilfe der Programmierung des Geschwindigkeitsreglers oder einer manuellen Anpassung mithilfe des Senders angepasst. Timing ist eine Einstellung, die viele Faktoren bestimmt, einschließlich des Wirkungsgrads, des Drehmoments, der Drehzahl und der Temperatur. Eine Erhöhung des Timings bedeutet im Allgemeinen, dass Sie Drehzahl, Stempelbeschleunigung und Strom hinzufügen, während Sie gleichzeitig Wärme hinzufügen, das Drehmoment reduzieren und die Effizienz verringern. Eine Senkung des Zeitpunkts bedeutet im Allgemeinen einen höheren Wirkungsgrad, weniger Wärme und ein zusätzliches Drehmoment bei gleichzeitig geringerer Drehzahl und Stempelbeschleunigung.

### Schwellenwert Niederspannungsabschaltung

Diese Funktion hilft die Tiefentladung des Akkus zu verhindern. Der Regler überwacht dabei kontinuierlich die Akkuspannung. Sollte die Spannung länger als zwei Sekunden unter den Schwellenwert fallen wird die Leistung abgeschaltet und die rote LED blinkt zweimal wiederholt.

Die Kalkulation des Schwellenwertes der Abschaltspannung basiert auf den einzelnen LiPo Zellen Spannungen. Ist bei NiMH Akku Packs die Spannung höher als 9,0 Volt wird er wie ein 3S LiPo Akku gewertet. Ist diese niedriger als 9,0 Volt wird er wie ein 2S LiPo Akkupack bewertet Beispiel: Bei einem 8,0V NiMH Akku Pack mit einer Abschaltspannung von 2,6V wird der Akku wie ein 2S LiPo gesehen und die Abschaltspannung beträgt 5,2V ( $2,6 \times 2 = 5,2$ ) Bei der Verwendung von der optionalen digitalen Programmierbox kann die Abschaltspannung individuell eingestellt werden. Im Gegensatz zu den vorgegebenen Werten beziehen sich die programmierbaren Werte auf die Gesamtspannung und nicht die einzelne Zellen spannung.

### Neutraler Bereich

Passen Sie diese Einstellung an, wenn Sie den Sender oder den Geschwindigkeitsregler wechseln. Diese Einstellung ist im Geschwindigkeitsregler programmiert und registriert die Standard-Neutralstellung des vom Sender kommenden Signals. Wenn sich das Fahrzeug vorwärts bewegt oder nicht schnell auf die Drosselklappenänderung des Senders reagiert, passen Sie diese Einstellung an. Detaillierte Anweisungen zur Einstellung der neutralen Position finden Sie in Ihrem Handbuch zum Geschwindigkeitsregler.

LED-Anzeige	LED-Code
Geschwindigkeitsregler ist eingeschaltet, LED-Anzeige ist ausgeschaltet	Der Gasauslöser befindet sich in der neutralen Zone
Rote LED leuchtet	ESC arbeitet in Vorwärts-, Rückwärts- oder Bremsstellung
Rote und grüne LED leuchten	ESC ist auf Vollgas, Vollbremsung oder Vollgas
LED blinkt rot mit kurzen Einzelpulsen	Niedrigtrennschaltungsschutz ist aktiviert
LED blinkt grün mit kurzen Einzelpulsen	Der Geschwindigkeitsregler befindet sich im Thermoabschaltmodus
LED blinkt grün mit drei sich wiederholenden Pulsen	Der Geschwindigkeitsregler hat die Dauerstromgrenze überschritten
LED blinkt grün mit vier sich wiederholenden Pulsen	Der Geschwindigkeitsregler hat den Selbsttest nicht bestanden
LED blinkt grün mit fünf sich wiederholenden Pulsen	Die Temperatur des Kondensators wurde überschritten

## VORGEHENSWEISE ZUM PROGRAMMIEREN DES GESCHWINDIGKEITSREGLERS

Die Programmierung erfolgt mit Hilfe des SET-Knopfes auf dem EIN/AUS-Schalter.

1. Verbinden Sie einen voll aufgeladenen Geschwindigkeitsregler mit dem Empfänger.
2. Schalten Sie den Geschwindigkeitsregler mit dem Geschwindigkeitsreglerschalter EIN.
3. Halten Sie den SET-Knopf für 3 Sekunde gedrückt, bis die grüne LED blinkt, und lassen Sie diesen dann los.
4. Drücken Sie den SET-Knopf einmal, bis die grüne LED einmal in Folge blinkt und so anzeigt, dass aktuell der programmierbare Wert 1 ausgewählt ist.

**Tipp:** Durch das erneute Drücken des SET-Knopfs wird der programmierbare Wert 2 usw. ausgewählt, bis der gewünschte programmierbare Wert erreicht wird. Das System bewegt sich in einer „Schleife“ weiter.

5. Wenn Sie den gewünschten Menüpunkt erreicht haben, drücken Sie den SET-Knopf für 3 Sekunden, bis die rote LED blinkt.

**Tipp:** Die ROTE Blinksequenz zeigt die tatsächliche Einstellung an. Einmal Blinken zeigt zum Beispiel an, dass der Wert 1 ausgewählt wurde, zweimal blinken zeigt den Wert 2 an usw.

6. Drücken Sie den SET-Knopf in Folge, um den gewünschten programmierbaren Wert auszuwählen. Das System bewegt sich in einer „Schleife“ weiter.
7. Speichern Sie die Einstellung, indem Sie den SET-Knopf für 3 Sekunden gedrückt halten. Der motor gibt einen Piepton ab.
8. Schalten Sie den Geschwindigkeitsregler AUS und dann sofort wieder EIN. Die Einstellungsänderung wurde gespeichert.

**Tipp:** Es kann jeweils nur eine Einstellung gespeichert werden.



# SPEKTRUM 3652 4-POLIGER BÜRSTENLOSER-MOTOR 6.500 KV (DYNS1495)

## SICHERHEITSHINWEISE

- Fassen Sie niemals bewegte Teile an.
- Demontieren Sie nie das Fahrzeug oder Teile mit eingeletem Akku.
- Lassen Sie stets Teile abkühlen bevor Sie diese anfassen.

## ÜBERSETZUNG

Das Fahrzeug ist mit einem optimalen Getriebe für 2S-Batterien ausgestattet. Verwenden Sie bei Verwendung von 3S-Batterien ein alternatives Getriebe, um Geschwindigkeit, Leistung und Effizienz zu optimieren.

Die Montage eines Zahnradgetriebes mit weniger Zähnen oder eines Stirnrads mit mehr Zähnen erhöht das Drehmoment und reduziert die Höchstgeschwindigkeit. Ein Zahnradgetriebe mit mehr Zähnen oder ein Stirnrad mit weniger Zähnen reduziert gleichermaßen das Drehmoment und erhöht die Höchstgeschwindigkeit. Gehen Sie bei der Montage größerer Zahnradgetriebe mit Vorsicht vor, da ein übergroß ausgelegtes Zahnradgetriebe zur Überhitzung von Motor und Geschwindigkeitsregler führt. Wenn Sie verschiedene Getriebeoptionen testen, achten Sie bitte besonders auf die Temperatur von Motor und Geschwindigkeitsregler, um einen Betrieb innerhalb des korrekten Temperaturbereichs zu ermöglichen. Ist der Motor zu heiß, so wechseln Sie in eine Kombination aus niedrigerem Zahnradgetriebe und/oder höherem Stirnrad.

**⚠️ ACHTUNG:** Den Geschwindigkeitsregler oder Motor nach der Verwendung nicht berühren, da es ansonsten zu Personenschäden kommen kann. Der Geschwindigkeitsregler oder Motor dürfen eine Temperatur von 71 °C (160 °F) nicht überschreiten. Eine Messpistole (empfohlen wird DYNF1055) kann zur sicheren Überwachung der Temperatur vor der Handhabung verwendet werden.

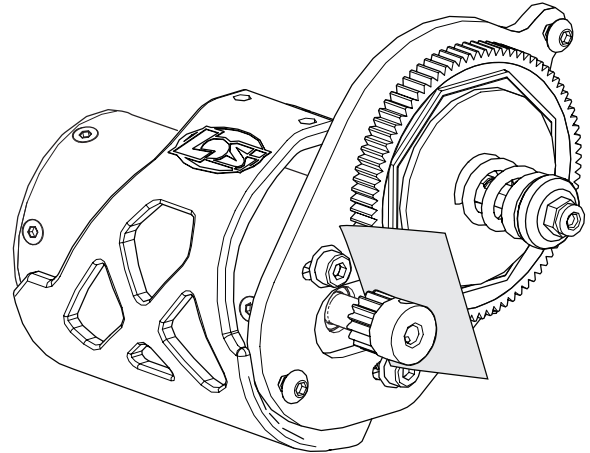
## WECHSEL DES RITZELS/ ÜBERSETZUNG

1. Entfernen Sie die Schrauben, mit denen die Getriebeabdeckung befestigt ist.
2. Lösen Sie die Stellschraube und nehmen Sie das montierte Zahnradgetriebe heraus
3. Lösen Sie die Motorschrauben und schieben den Motor zurück.
4. Setzen Sie das neue Ritzel auf das Ende der Motorwelle und achten darauf, dass die Schraube über der flachen Seite der Welle ist.
5. Positionieren Sie das Ritzel so, dass es mit dem Zahnrad fluchtet und ziehen die Madenschraube an.
6. Legen Sie die Zahneingriff.

## EINSTELLEN DES ZAHNFLANKENSPIELS

Das Zahnflankenspiel ist bereits ab Werk eingestellt worden, Sie müssen es nur einstellen wenn Sie den Motor oder das Getriebe gewechselt haben.

Das korrekte Zahnflankenspiel ist sehr wichtig für die Leistung des Fahrzeuges. Ist das Spiel zu groß kann das Zahnrad vom Ritzel beschädigt werden. Ist das Spiel zu stramm könnte die Geschwindigkeit reduziert werden und der Regler überhitzen.



1. Lösen Sie die Motorschrauben und schieben den Motor zurück.
2. Legen Sie einen schmalen Streifen Papier zwischen Ritzel und Zahnrad.
3. Drücken Sie beide Zahnräder zusammen während Sie die Motorschrauben festdrehen.
4. Entfernen Sie das Papier. Überprüfen Sie das Zahnflankenspiel an 3 - 5 verschiedenen Punkten auf etwas Bewegungsspiel.

## PROBLEMLÖSUNG

PROBLEM	MÖGLICHE URSACHE	LÖSUNG
Fahrzeug funktioniert nicht	Akku nicht geladen oder eingesteckt	Akku laden/an Regler stecken
	Reglerschalter nicht auf ON (EIN) gestellt	Schalten Sie den Regler ein (ON)
	Sender nicht eingeschaltet (ON) oder Batterien leer	Einschalten (ON)/Batterien ersetzen
Motor läuft, aber Räder drehen nicht	Ritzel hat keinen Kontakt zum Zahnrad	Stellen Sie das Zahnflankenspiel ein
	Ritzel dreht auf Motorwelle	Ziehen Sie das Ritzel auf der Motorwelle an
	Zahnräder abgenutzt	Ersetzen Sie das Ritzel
	Antriebsstift/Mitnehmer gebrochen	Überprüfen und ersetzen Sie den Mitnehmer
Lenkung arbeitet nicht	Servostecker nicht richtig im Empfänger angeschlossen	Stellen Sie sicher dass der Servostecker richtig herum im richtigen Kanal angeschlossen wurde
	Servogetriebe oder Motor defekt	Ersetzen oder reparieren Sie das Servo
Lenkt nicht in eine Richtung	Servogetriebe beschädigt	Ersetzen oder reparieren Sie das Servo
Motor dreht nicht	Motoranschluß/Lötstelle ist beschädigt	Löten Sie das Kabel wieder an
	Motorkabel ist gebrochen	Reparieren oder ersetzen Sie wie benötigt
	Regler ist beschädigt	Kontaktieren Sie den technischen Service von Horizon Hobby
Regler wird heiß	Motorübersetzung falsch gewählt	Verwenden Sie kleinere Ritzel oder ein größeres Zahnrad
	Antrieb blockiert	Überprüfen Sie den Antrieb auf Blockieren
Geringe Laufzeit oder schlechte Beschleunigung	Akkupack nicht vollständig geladen	Laden Sie den Akku
	Ladegerät lädt nicht vollständig	Verwenden Sie anderes Ladegerät
	Antrieb behindert/blockiert	Überprüfen Sie Räder oder Antrieb auf Behinderung/Blockierung
Schlechte Reichweite oder Aussetzer	Senderbatterien leer	Überprüfen und ersetzen
	Fahrzeugakku leer	Laden Sie den Akku
	Loose Kabel oder Anschlüsse	Überprüfen Sie alle Anschlüsse und Stecker

## GARANTIE UND SERVICE INFORMATIONEN

### Warnung

Ein ferngesteuertes Modell ist kein Spielzeug. Es kann, wenn es falsch eingesetzt wird, zu erheblichen Verletzungen bei Lebewesen und Beschädigungen an Sachgütern führen. Betreiben Sie Ihr RC-Modell nur auf freien Plätzen und beachten Sie alle Hinweise der Bedienungsanleitung des Modells wie auch der Fernsteuerung.

### Garantiezeitraum

Exklusive Garantie Horizon Hobby LLC (Horizon) garantiert, dass dasgekaufte Produkt frei von Material- und Montagefehlern ist. Der Garantiezeitraum entspricht den gesetzlichen Bestimmungen des Landes, in dem das Produkt erworben wurde. In Deutschland beträgt der Garantiezeitraum 6 Monate und der Gewährleistungszeitraum 18 Monate nach dem Garantiezeitraum.

### Einschränkungen der Garantie

(a) Die Garantie wird nur dem Erstkäufer (Käufer) gewährt und kann nicht übertragen werden. Der Anspruch des Käufers besteht in der Reparatur oder dem Tausch im Rahmen dieser Garantie. Die Garantie erstreckt sich ausschließlich auf Produkte, die bei einem autorisierten Horizon Händler erworben wurden. Verkäufe an Dritte werden von dieser Garantie nicht gedeckt. Garantieansprüche werden nur angenommen, wenn ein gültiger Kaufnachweis erbracht wird. Horizon behält sich das Recht vor, diese Garantiebestimmungen ohne Ankündigung zu ändern oder modifizieren und widerruft dann bestehende Garantiebestimmungen.

(b) Horizon übernimmt keine Garantie für die Verkaufbarkeit des Produktes, die Fähigkeiten und die Fitness des Verbrauchers für einen bestimmten Einsatzzweck des Produktes. Der Käufer allein ist dafür verantwortlich, zu prüfen, ob das Produkt seinen Fähigkeiten und dem vorgesehenen Einsatzzweck entspricht.

(c) Ansprüche des Käufers → Es liegt ausschließlich im Ermessen von Horizon, ob das Produkt, bei dem ein Garantiefall festgestellt wurde, repariert oder ausgetauscht wird. Dies sind die exklusiven Ansprüche des Käufers, wenn ein Defekt festgestellt wird.

Horizon behält sich vor, alle eingesetzten Komponenten zu prüfen, die in den Garantiefall einbezogen werden können. Die Entscheidung zur Reparatur oder zum Austausch liegt nur bei Horizon. Die Garantie schließt kosmetische Defekte oder Defekte, hervorgerufen durch höhere Gewalt, falsche Behandlung des Produktes, falscher Einsatz des Produktes, kommerziellen Einsatz oder Modifikationen irgendwelcher Art aus.

Die Garantie schließt Schäden, die durch falschen Einbau, falsche Handhabung, Unfälle, Betrieb, Service oder Reparaturversuche, die nicht von Horizon ausgeführt wurden aus.

Ausgeschlossen sind auch Fälle die bedingt durch (vii) eine Nutzung sind, die gegen geltendes Recht, Gesetze oder Regularien verstoßen haben. Rücksendungen durch den Käufer direkt an Horizon oder eine seiner Landesvertretung bedürfen der Schriftform.

### Schadensbeschränkung

Horizon ist nicht für direkte oder indirekte Folgeschäden, Einkommensausfälle oder kommerzielle Verluste, die in irgendeinem Zusammenhang mit dem Produkt stehen verantwortlich, unabhängig ab ein Anspruch im Zusammenhang mit einem Vertrag, der Garantie oder der Gewährleistung erhoben werden. Horizon wird darüber hinaus keine Ansprüche aus einem Garantiefall akzeptieren, die über den individuellen Wert des Produktes hinaus gehen. Horizon hat keinen Einfluss auf den Einbau, die Verwendung oder die Wartung des Produktes oder etwaiger Produktkombinationen, die vom Käufer gewählt werden. Horizon übernimmt keine Garantie und akzeptiert keine Ansprüche für in der Folge auftretende Verletzungen oder Beschädigungen. Mit der Verwendung und dem Einbau des Produktes akzeptiert der Käufer alle aufgeführten Garantiebestimmungen ohne Einschränkungen und Vorbehalte.

Wenn Sie als Käufer nicht bereit sind, diese Bestimmungen im Zusammenhang mit der Benutzung des Produktes zu akzeptieren, werden Sie gebeten, das Produkt in unbenutztem Zustand in der Originalverpackung vollständig bei dem Verkäufer zurückzugeben.

### Sicherheitshinweise

Dieses ist ein hochwertiges Hobby Produkt und kein Spielzeug. Es muss mit Vorsicht und Umsicht eingesetzt werden und erfordert einige mechanische wie auch mentale Fähigkeiten. Ein Versagen, das Produkt sicher und umsichtig zu betreiben kann zu Verletzungen von Lebewesen und Sachbeschädigungen erheblichen Ausmaßes führen. Dieses Produkt ist nicht für den Gebrauch durch Kinder ohne die Aufsicht eines Erziehungsberechtigten vorgesehen. Die Anleitung enthält Sicherheitshinweise und Vorschriften sowie Hinweise für die Wartung und den Betrieb des Produktes. Es ist unabdingbar, diese Hinweise vor der ersten Inbetriebnahme zu lesen und zu verstehen. Nur so kann der falsche Umgang verhindert und Unfälle mit Verletzungen und Beschädigungen vermieden werden.

### Fragen, Hilfe und Reparaturen

Ihr lokaler Fachhändler und die Verkaufsstelle können eine Garantiebeurteilung ohne Rücksprache mit Horizon nicht durchführen. Dies gilt auch für Garantiereparaturen. Deshalb kontaktieren Sie in einem solchen Fall den Händler, der sich mit Horizon kurz schließen wird, um eine sachgerechte Entscheidung zu fällen, die Ihnen schnellst möglich hilft.

### Wartung und Reparatur

Muss Ihr Produkt gewartet oder repariert werden, wenden Sie sich entweder an Ihren Fachhändler oder direkt an Horizon.

Rücksendungen / Reparaturen werden nur mit einer von Horizon vergebenen RMA Nummer bearbeitet. Diese Nummer erhalten Sie oder ihr Fachhändler vom technischen Service. Mehr Informationen dazu erhalten Sie im Serviceportal unter [www.horizonhobby.de](http://www.horizonhobby.de) oder telefonisch bei dem technischen Service von Horizon.

Packen Sie das Produkt sorgfältig ein. Beachten Sie, dass der Originalkarton in der Regel nicht ausreicht, um beim Versand nicht beschädigt zu werden. Verwenden Sie einen Paketdienstleister mit einer Tracking Funktion und Versicherung, da Horizon bis zur Annahme keine Verantwortung für den Versand des Produktes übernimmt. Bitte legen Sie dem Produkt einen Kaufbeleg bei, sowie eine ausführliche Fehlerbeschreibung und eine Liste aller eingesetzten Einzelkomponenten. Weiterhin benötigen wir die vollständige Adresse, eine Telefonnummer für Rückfragen, sowie eine Email Adresse.

### Garantie und Reparaturen

Garantieanfragen werden nur bearbeitet, wenn ein Originalkaufbeleg von einem autorisierten Fachhändler beiliegt, aus dem der Käufer und das Kaufdatum hervorgeht. Sollte sich ein Garantiefall bestätigen wird das Produkt repariert oder ersetzt. Diese Entscheidung obliegt einzig Horizon Hobby.

### Kostenpflichtige Reparaturen

Liegt eine kostenpflichtige Reparatur vor, erstellen wir einen Kostenvorschlag, den wir Ihrem Händler übermitteln. Die Reparatur wird erst vorgenommen, wenn wir die Freigabe des Händlers erhalten. Der Preis für die Reparatur ist bei Ihrem Händler zu entrichten. Bei kostenpflichtigen Reparaturen werden mindestens 30 Minuten Werkstattzeit und die Rückversandkosten in Rechnung gestellt. Sollten wir nach 90 Tagen keine Einverständniserklärung zur Reparatur vorliegen haben, behalten wir uns vor, das Produkt zu vernichten oder anderweitig zu verwerten.

**ACHTUNG:** Kostenpflichtige Reparaturen nehmen wir nur für Elektronik und Motoren vor. Mechanische Reparaturen, besonders bei Hubschraubern und RC-Cars sind extrem aufwendig und müssen deshalb vom Käufer selbst –vorgenommen werden.

10/15

## GARANTIE UND SERVICE KONTAKTINFORMATIONEN

Land des Kauf	Horizon Hobby	Telefon/E-mail Adresse	Adresse
Europäische Union	Horizon Technischer Service	service@horizonhobby.eu +49 (0) 4121 2655 100	Hanskampring 9 D 22885 Barsbüttel, Germany
	Sales: Horizon Hobby GmbH		

## RECHTLICHE INFORMATIONEN FÜR DIE EUROPÄISCHE UNION



### EU Konformitätserklärung:

Hiermit erklärt Horizon Hobby, LLC, dass das Gerät den folgenden Richtlinien entspricht: EU-Richtlinie über Funkanlagen 2014/53/EU; RoHS 2-Richtlinie 2011/65 / EU; RoHS 3-Richtlinie - Änderung 2011/65 / EU-Anhang II 2015/863.

Der vollständige Text der EU-Konformitätserklärung ist unter folgender Internetadresse abrufbar: <https://www.horizonhobby.com/content/support-render-compliance>.

**HINWEIS:** Dieses Produkt enthält Batterien, die unter die europäische Richtlinie 2006/66 / EG fallen und nicht mit dem Hausmüll entsorgt werden können. Bitte beachten Sie die örtlichen Vorschriften.

### Drahtloser Frequenzbereich und Drahtlose Ausgangsleistung:

**Sender:**  
2403–2480MHz  
16.3dBm

**Empfänger:**  
2404–2476MHz  
-1.33dBm

### Offizieller EU-Hersteller:

Horizon Hobby, LLC  
2904 Research Road  
Champaign, IL 61822 USA

### Offizieller EU-Importeur:

Horizon Hobby, GmbH  
Hanskampring 9  
22885 Barsbüttel Germany

### WEEE-HINWEIS:



Dieses Gerät ist gemäß der Europäischen Richtlinie 2012/19/EU über Elektro- und Elektronik-Altgeräte (WEEE) gekennzeichnet. Dieses Symbol weist darauf hin, dass dieses Produkt kein normaler Haushaltsabfall ist, sondern in einer entsprechenden Sammelstelle für Elektro- und Elektronik-Altgeräte entsorgt werden muss.

## REMARQUE

Toutes les instructions, garanties et autres documents de garantie sont sujets à la seule discrétion de Horizon Hobby, LLC. Veuillez, pour une documentation produit bien à jour, visiter le site internet [www.horizonhobby.com](http://www.horizonhobby.com) ou [www.towerhobbies.com](http://www.towerhobbies.com) et cliquer sur l'onglet de support de ce produit.

## SIGNIFICATION DE CERTAINS TERMES SPÉCIFIQUES

Les termes suivants sont utilisés dans l'ensemble du manuel pour indiquer différents niveaux de danger lors de l'utilisation de ce produit :

**AVERTISSEMENT** : Procédures qui, si elles ne sont pas suivies correctement, peuvent entraîner des dégâts matériels et des blessures graves OU engendrer une probabilité élevée de blessure superficielle.

**ATTENTION** : Procédures qui, si elles ne sont pas suivies correctement, peuvent entraîner des dégâts matériels ET des blessures graves.

**REMARQUE** : Procédures qui, si elles ne sont pas suivies correctement, peuvent entraîner des dégâts matériels ET éventuellement un faible risque de blessures.

**AVERTISSEMENT** : Lisez la TOTALITÉ du manuel d'utilisation afin de vous familiariser avec les caractéristiques du produit avant de le faire fonctionner. Une utilisation incorrecte du produit peut entraîner sa détérioration, ainsi que des risques de dégâts matériels, voire de blessures graves.

Ceci est un produit de loisirs sophistiqué. Il doit être manipulé avec prudence et bon sens et requiert des aptitudes de base en mécanique. Toute utilisation irresponsable de ce produit ne respectant pas les principes de sécurité peut provoquer des blessures, entraîner des dégâts matériels et endommager le produit. Ce produit n'est pas destiné à être utilisé par des enfants sans la surveillance directe d'un adulte. N'essayez pas de démonter le produit, de l'utiliser avec des composants incompatibles ou d'en améliorer les performances sans l'accord d'Horizon Hobby, LLC. Ce manuel comporte des instructions relatives à la sécurité, au fonctionnement et à l'entretien. Il est capital de lire et de respecter la totalité des instructions et avertissements du manuel avant l'assemblage, le réglage et l'utilisation, ceci afin de manipuler correctement l'appareil et d'éviter tout dégât matériel ou toute blessure grave.

**AVERTISSEMENT CONTRE LES PRODUITS CONTREFAITS** Toujours acheter chez un revendeur officiel Horizon hobby pour être sûr d'avoir des produits authentiques. Horizon Hobby décline toute garantie et responsabilité concernant les produits de contrefaçon ou les produits se disant compatibles DSM ou Spektrum.

14 ans et plus. Ceci n'est pas un jouet.

## PRÉCAUTIONS ET AVERTISSEMENTS LIÉS À LA SÉCURITÉ

En tant qu'utilisateur de ce produit, il est de votre seule responsabilité de le faire fonctionner d'une manière qui ne mette en danger ni votre personne, ni de tiers et qui ne provoque pas de dégâts au produit lui-même ou à la propriété d'autrui.

Ce modèle est contrôlé par un signal radio, qui peut être soumis à des interférences provenant de nombreuses sources hors de votre contrôle. Ces interférences peuvent provoquer une perte momentanée de contrôle. Il est donc conseillé de garder une bonne distance de sécurité tout autour de votre modèle, ce qui aidera à éviter les collisions ou les blessures.

- Ne faites jamais fonctionner votre modèle lorsque les batteries de l'émetteur sont faibles.
- Faites toujours fonctionner votre modèle dans une zone dégagée, à l'écart des voitures, de la circulation ou de personnes.
- Ne faites jamais et pour quelque raison que ce soit fonctionner votre modèle dans la rue ou dans des zones habitées.
- Respectez scrupuleusement les instructions et avertissement à cet effet ainsi que pour tous les équipements optionnels/complémentaires (chargeurs, packs de batteries rechargeables, etc.) que vous utilisez.

- Tenez tous les produits chimiques, les petites pièces et les composants électroniques hors de portée des enfants.
- Ne léchez ni ne mettez jamais en bouche quelque partie de votre modèle que ce soit, afin d'éviter tout risque de blessures graves, voire danger de mort.
- Faites bien attention lors de l'utilisation d'outils et lors de l'utilisation d'instruments coupants.
- Faites bien attention lors du montage, certaines pièces peuvent avoir des bords coupants.
- Après avoir utilisé votre modèle, NE touchez PAS à certaines de ces pièces telles que le moteur, le contrôleur électronique de vitesse et la batterie, car elles peuvent encore se trouver à des températures élevées. Vous risquez de vous brûler gravement en cas de contact avec elles.
- Ne mettez ni vos doigts ni aucun autre objet entre des pièces en rotation ou en mouvement, vous risqueriez des dommages ou des blessures graves.
- Allumez toujours votre émetteur avant d'allumer le récepteur du véhicule. Éteignez toujours le récepteur avant d'éteindre votre émetteur.
- Veillez à ce que les roues du modèle ne soient pas en contact avec le sol lorsque vous contrôlez le fonctionnement de votre équipement radio.

## TABLE DES MATIÈRES

ENREGISTREZ VOTRE PRODUIT LOSI EN LIGNE .....	19	POUR AMÉLIORER L'AUTONOMIE .....	23
CONTENU DE LA BOITE .....	20	TEST DE DIRECTION .....	23
ÉLÉMENTS INCLUS .....	20	VARIATEUR ESC SPEKTRUM™ FIRMA 100A 2-3S SANS BALAIS SMART (SPMXSE1100) .....	22
VÉHICULE RÉSISTANT À L'EAU ET ÉQUIPÉ D'UNE ÉLECTRONIQUE ÉTANCHE .....	20	CALIBRAGE DU VARIATEUR ESC ET DE L'ÉMETTEUR .....	23
PRÉCAUTIONS GÉNÉRALES .....	20	OPTIONS PROGRAMMABLES FIRMA 100A .....	23
MAINTENANCE EN CONDITIONS HUMIDES .....	20	DESCRIPTION .....	24
DÉMARRAGE RAPIDE .....	20	PROCÉDURE DE PROGRAMMATION DU VARIATEUR ESC .....	24
CHARGE DE LA BATTERIE .....	20	MOTEUR SPEKTRUM 3652 4 PÔLES SANS BALAIS 6 500 KV (DYNS1495) .....	25
INSTALLER LA BATTERIE .....	21	PRÉCAUTIONS .....	25
FONCTIONS DE L'ÉMETTEUR .....	21	TRANSMISSION .....	25
INSTALLATION DES PILES DE L'ÉMETTEUR .....	21	CHANGEMENT DU PIGNON ET DU RAPPORT DE TRANSMISSION .....	25
RÉCEPTEUR DOUBLE PROTOCOLE SPMSR315 .....	22	RÉGLAGE DE L'ENTRE-DENTS .....	25
ANTENNE DU RÉCEPTEUR .....	22	GUIDE DE DÉPANNAGE .....	25
AFFECTATION .....	22	GARANTIE ET RÉPARATIONS .....	26
COURSE DE SERVO .....	22	COORDONNÉES DE GARANTIE ET RÉPARATIONS .....	26
PRÉCAUTIONS DE PILOTAGE .....	22	INFORMATION DE IC .....	26
MISE SOUS TENSION DU VÉHICULE .....	22	INFORMATIONS DE CONFORMITÉ POUR L'UNION EUROPÉENNE .....	26
AVANT DE FAIRE ROULER VOTRE VÉHICULE .....	23		
AUTONOMIE .....	23		

## ENREGISTREZ VOTRE PRODUIT LOSI EN LIGNE

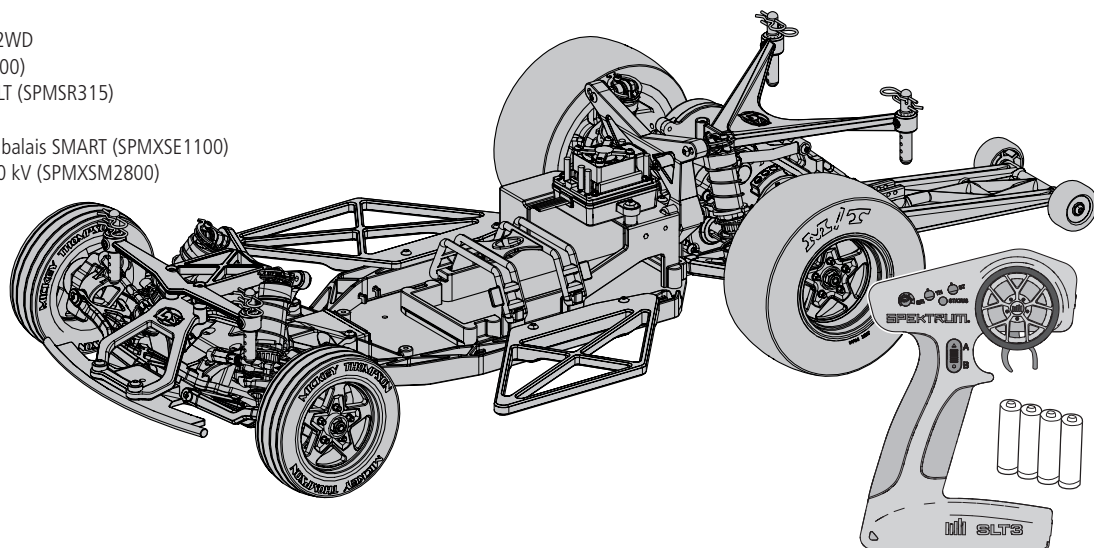
Enregistrez votre véhicule dès maintenant et soyez le premier à être informé des dernières options disponibles, des améliorations des produits et bien plus encore. Cliquez sur l'onglet support de la page de votre produit sur le site [WWW.LOSI.COM](http://WWW.LOSI.COM) pour obtenir toutes les informations.



## CONTENU DE LA BOITE

### ÉLÉMENTS INCLUS

- Losi 22S No Prep Drag Car, Brushless RTR: 1/10 2WD
- Émetteur Spektrum™ SLT3 3 canaux (SPMRS300)
- Récepteur Spektrum à double protocole DMSR/SLT (SPMSR315)
- Servo étanche Spektrum 6kg (SPMS606)
- Variateur ESC Spektrum FIRMA 100A 2-3S sans balais SMART (SPMXSE1100)
- Moteur Spektrum 3652 4 pôles sans balais 6 500 kV (SPMXSM2800)
- 4 piles AA (pour l'émetteur)



## VÉHICULE RÉSISTANT À L'EAU ET ÉQUIPÉ D'UNE ÉLECTRONIQUE ÉTANCHE

Votre nouveau véhicule Horizon Hobby a été conçu et fabriqué en combinant des composants étanches et des composants résistants à l'eau vous permettant d'utiliser ce produit dans plusieurs "Conditions Humides" incluant les flaques d'eau, les ruisseaux, l'herbe humide, la neige et même la pluie.

Bien que le véhicule possède une grande résistance vis-à-vis de l'eau, il n'est pas entièrement étanche et votre véhicule ne doit PAS être utilisé comme un sous-marin. Les différents composants électroniques installés sur le véhicule, comme le contrôleur de vitesse électronique (ESC), le ou les servo(s) et le récepteur sont étanches, cependant la plupart des composants mécaniques résistent aux projections d'eau mais ne doivent pas être immergés.

Les pièces métalliques comme les roulements, les axes de suspension, les vis et les écrous ainsi que les contacts des prises des câbles électriques sont exposés à l'oxydation si vous n'effectuez un entretien supplémentaire après avoir utilisé le produit dans des conditions humides. Pour conserver à long terme les performances de votre véhicule et conserver la garantie, les procédures décrites dans la section « Maintenance en conditions humides » doivent être régulièrement effectuées si vous roulez dans des conditions humides. Si vous ne souhaitez pas effectuer la maintenance supplémentaire requise, vous ne devez pas utiliser le véhicule dans ces conditions.

**ATTENTION** : un défaut de soin durant l'utilisation et un non-respect des consignes suivantes peut entraîner un dysfonctionnement du produit et/ou annuler la garantie.

### PRÉCAUTIONS GÉNÉRALES

- Lisez avec attention les procédures de maintenance en conditions humides et vérifiez que vous possédez tous les outils nécessaires pour effectuer la maintenance du véhicule.
- Toutes les batteries ne peuvent être utilisées en conditions humides. Consultez la documentation du fabricant de votre batterie avant utilisation. Des précautions doivent être appliquées quand vous utilisez des batteries Li-Po en conditions humides.
- La majorité des émetteurs ne résistent pas aux projections d'eau. Consultez le manuel ou le fabricant de votre émetteur avant utilisation.
- N'utilisez jamais votre émetteur ou votre véhicule sous un orage.
- N'utilisez JAMAIS votre véhicule où il pourrait entrer en contact avec de l'eau salée (Eau de mer ou flaque d'eau sur une route salée), ou de l'eau polluée ou contaminée.
- Une petite quantité d'eau peut réduire la durée de vie du moteur s'il n'est pas certifié étanche ou résistant aux projections d'eau. Si le moteur devient excessivement humide, appliquez légèrement les gaz pour évacuer le maximum d'eau du moteur. Faire tourner à un régime élevé un moteur humide causerait son endommagement rapide.

- L'utilisation en conditions humides peut réduire la durée de vie du moteur. La résistance de l'eau cause des efforts plus importants. Adaptez le rapport de transmission en utilisant un pignon plus petit ou une couronne plus grande. Cela augmentera le couple (et la durée de vie du moteur) quand vous roulez dans la boue, dans les flaques profondes ou n'importe quelle autre condition humide, cela augmente la charge appliquée au moteur.

### MAINTENANCE EN CONDITIONS HUMIDES

- Evacuez l'eau collectée par les pneus en les faisant tourner à haute vitesse. Retirez la carrosserie, retournez le véhicule et donnez des courts coups d'accélérateur plein gaz jusqu'à ce que l'eau soit retirée.

**ATTENTION** : Tenez toujours éloigné des parties en rotation, les mains, les doigts, les outils ou autre objet lâches/pendants.

- Retirez la batterie et séchez ses contacts. Si vous possédez un compresseur d'air ou une bombe d'air compressé, chassez toute l'humidité qui se trouve dans la prise.
- Retirez les roues du véhicule et rincez-les à l'aide d'un arrosoir pour retirer la boue et la poussière. Évitez de rincer les roulements et la transmission.

**REMARQUE** : N'utilisez jamais un nettoyeur haute-pressure pour nettoyer le véhicule.

- Utilisez un compresseur d'air ou une bombe d'air compressée pour sécher le véhicule et vous aider à retirer l'eau logée dans les renforcements et les recoins.
- Vaporisez du lubrifiant ou de l'anti-humidité sur les roulements, les vis ou autres pièces métalliques. Ne pas en vaporiser sur le moteur.
- Laissez le véhicule sécher avant de le stocker. L'eau (et l'huile) peuvent continuer à s'écouler durant quelques heures.
- Augmentez la fréquence d'inspection, de démontage et de lubrification des éléments suivants:
  - Les axes de roues et roulements des fusées avant et arrière.
  - Tous les boîtiers de transmissions, pignons et différentiels.
  - Le Moteur—nettoyez-le à l'aide d'un aérosol de nettoyant moteur et lubrifiez les paliers à l'aide de lubrifiant pour roulements.

## DÉMARRAGE RAPIDE

Veuillez entièrement lire le manuel pour comprendre le fonctionnement, les réglages et la maintenance de votre 22S RTR.

1. Lisez les consignes de sécurité présentes dans ce manuel.
2. Chargez une batterie pour votre véhicule. Référez-vous aux instructions et aux consignes de sécurité relatives à la charge de la batterie.
3. Installez les piles AA dans l'émetteur. Utilisez uniquement des piles alcalines ou des batteries rechargeables.
4. Installez la batterie entièrement chargée dans le véhicule.
5. Mettez en premier l'émetteur sous tension, puis le véhicule. Attendez 5 secondes pour l'ESC pour initialiser. Mettez toujours l'émetteur sous tension en premier et éteignez-le toujours en dernier.
6. Contrôlez la direction et les gaz. Vérifiez qu'ils agissent dans la bonne direction.
7. Pilotez votre véhicule.
8. Éteignez le véhicule, puis l'émetteur.
9. Débranchez la batterie et retirez-la du véhicule.
10. Effectuez la maintenance requise.

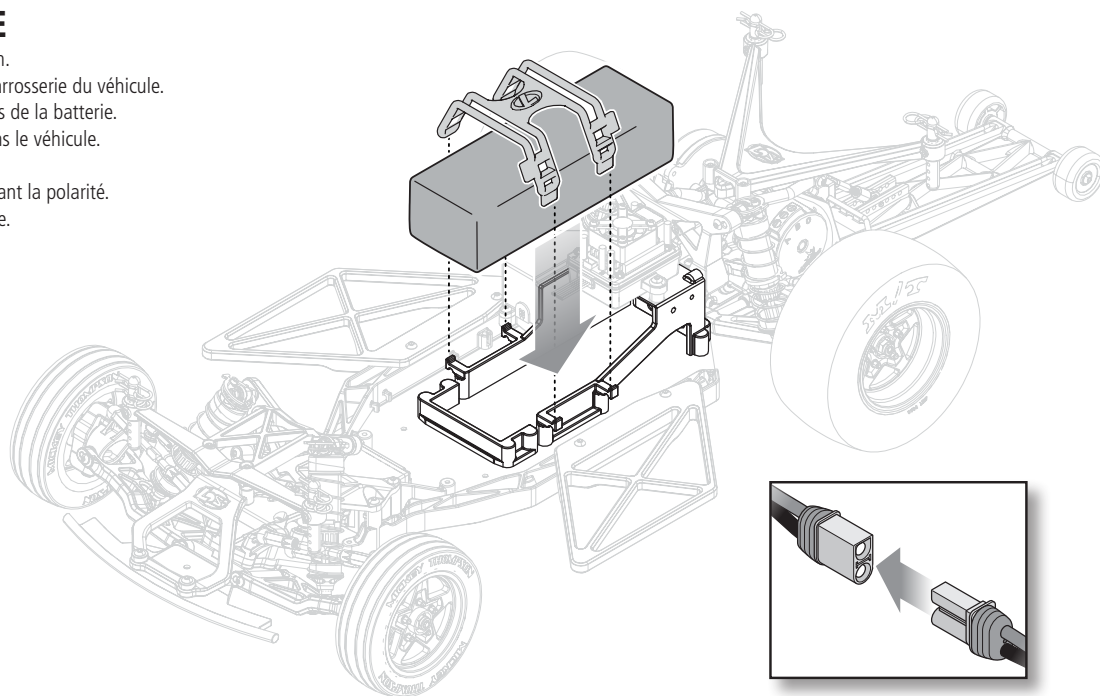
## CHARGE DE LA BATTERIE

Choisissez une batterie conçue pour le variateur ESC Spektrum™ FIRMA 100A 2-3s sans balais SMART. Nous recommandons la batterie Li-po Spektrum™ 7,4 V 5 000 mAh 2S 100C Smart avec connecteur IC5 (SPMX50002S100H5). Choisissez un chargeur conçu pour

charger les batteries Li-Po 2S et/ou 3S. Nous recommandons le chargeur DC Spektrum™ SMART S1200, 1x200 W (SPMXC1000). Consultez les manuels de votre batterie et chargeur pour obtenir des informations sur leur utilisation, la sécurité et le chargement.

## INSTALLER LA BATTERIE

1. Assurez-vous que le contrôleur est hors tension.
2. Retirez les clips de carrosserie et soulevez la carrosserie du véhicule.
3. Retirez les sangles en élastomère des montants de la batterie.
4. Installez la batterie complètement chargée dans le véhicule.
5. Refixez les sangles en élastomère.
6. Connectez la batterie au contrôleur en respectant la polarité.
7. Mettez l'émetteur sous tension, puis le véhicule.



## FONCTIONS DE L'ÉMETTEUR

### Spécifications

**Alimentation électrique :** 4 piles AA

**Fréquence de fonctionnement :** 2,4 GHz

**Puissance d'émission :** <100 mw

**Protocole de contrôle :** SLT

**Contrôle :** direction et gaz/freinage proportionnels avec des boutons de compensateur, troisième canal avec interrupteur à rappel à 3 positions

**Fonctions auxiliaires :** interrupteur de fin de course des gaz à 3 positions, bouton du taux de direction pour modifier la course de direction à la volée, course de servo programmable pour la direction et les gaz/le freinage

### A. Compensateur des gaz

Ajuste le point neutre des gaz

### B. Compensateur de direction

Ajuste le point central de direction. En général, le compensateur de direction est ajusté jusqu'à ce que le véhicule aille droit.

### C. DEL

- **Témoin en rouge fixe :** indique que l'appareil est sous tension et que l'alimentation fournie par les piles est adéquate
- **Témoin clignotant en rouge :** indique que la tension des piles est à un niveau trop bas. Changez les piles

### D. Volant

### E. Gaz/Frein

### F. Taux de direction

Bouton à la volée pour l'ajustement de la course de direction

### G. Canal 3

Interrupteur à rappel à 3 positions, la position médiane est neutre

Pour la programmation, appuyez vers le haut pour atteindre le bouton A, appuyez vers le bas pour atteindre le bouton B

### H. Limite des gaz

Limite la sortie des gaz à 50/75/100 %.

Sélectionnez 50 % ou 75 % pour les pilotes les moins expérimentés ou lorsque vous pilotez le véhicule dans une petite zone.

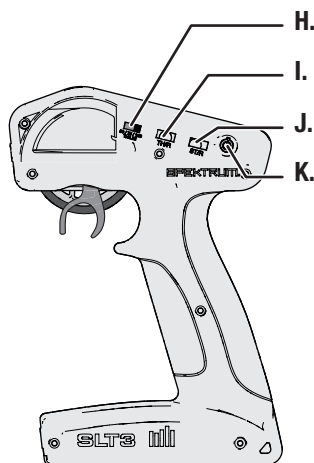
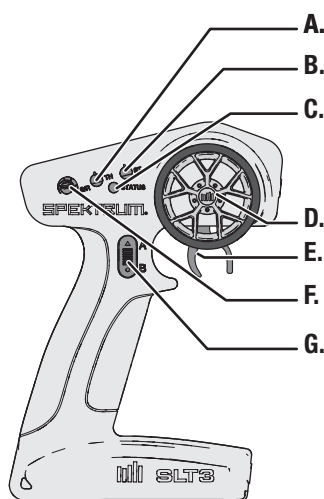
### I. Inversion du servo des gaz (TH)

Déplacez le commutateur pour inverser le canal des gaz

### J. Inversion du servo de direction (ST)

Déplacez le commutateur pour inverser le canal de direction

### K. Bouton d'alimentation



## INSTALLATION DES PILES DE L'ÉMETTEUR

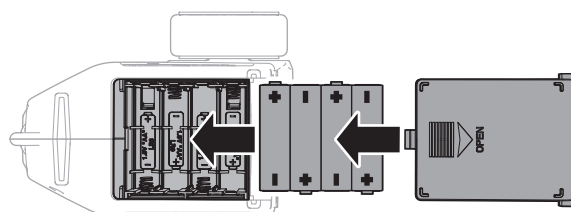
Cet émetteur nécessite 4 piles AA.

1. Enlevez le couvercle du compartiment à piles de l'émetteur.
2. Installez les piles comme indiqué.
3. Remettez le couvercle du compartiment à piles.

**ATTENTION :** Ne retirez jamais les piles de l'émetteur lorsque le modèle est sous tension. Une perte de contrôle du modèle, des dommages ou des blessures peuvent survenir.

**ATTENTION :** Si vous utilisez des piles rechargeables, chargez seulement des piles rechargeables. La charge de piles non rechargeables peut causer un incendie, entraînant des blessures corporelles et/ou des dégâts matériels.

**ATTENTION :** Risque d'explosion si la batterie est remplacée par un type de batterie non conforme. Éliminez les batteries usagées selon les réglementations nationales.



# RÉCEPTEUR DOUBLE PROTOCOLE SPMSR315

## SPÉCIFICATIONS

**Type :** récepteur 3 canaux double protocole\* (SLT/DSMR)

**Dimensions (L x l x H) :** 32,5 x 21,5 x 12,4 mm

**Longueur d'antenne :** 90 mm

**Canaux :** 3

**Poids :** 6 g

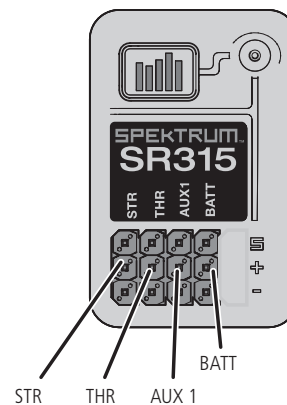
**Bande :** 2,4 GHz

**Plage de tension :** 3,5 à 9,6 V

**Type d'affectation :** bouton d'affectation

**Sécurité intégrée :** maintenez le volant et la manette des gaz dans les positions de sécurité intégrée souhaitées pendant l'affectation

\*Les récepteurs SPMSR315 inclus avec l'émetteur SLT3 assurent la compatibilité SLT et DSMR. Si vous disposez d'un récepteur SR315 que vous avez acheté seul, vous aurez peut-être besoin d'installer une mise à jour du micrologiciel pour rendre votre SR315 compatible SLT.



## ANTENNE DU RÉCEPTEUR

Les récepteurs SR315 comportent une antenne à jupe pour une installation facile dans presque tous les modèles. Sachez que seul le dernier pouce (32 mm) au bout de l'antenne représente la partie active de l'antenne, la partie coaxiale qui y mène est juste un prolongement. Installez l'antenne de manière à ce que la partie active soit positionnée aussi haut que possible dans le véhicule, et pas « dans l'ombre » d'un élément en fibre de carbone ou métal. Le boîtier du récepteur peut accepter directement un tube d'antenne, ce qui permet de placer facilement l'antenne de manière optimale (le tube d'antenne n'est pas inclus).

**AVERTISSEMENT :** veillez à ne pas tordre, couper ou endommager le fil d'antenne. L'antenne est constituée d'un câble coaxial ; si la gaine extérieure est endommagée, le récepteur ne fonctionnera pas correctement. Si l'antenne est endommagée de quelque manière que ce soit, remplacez-la avant d'utiliser le récepteur.

## AFFECTATION

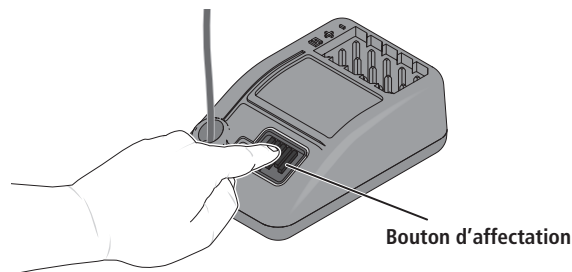
L'affectation est le processus de programmation du récepteur qui vise à reconnaître le code GUID (identificateur global unique) d'un émetteur unique spécifique.

1. Appuyez sur le bouton d'affectation et maintenez-le enfoncé.
2. Allumez le récepteur. La DEL orange commencera à clignoter.
3. Placez les compensateurs et les positions de commande sur les réglages de sécurité intégrée souhaités.
4. Allumez l'émetteur SLT3.
5. Lorsque la DEL orange de l'émetteur reste allumée, celui-ci est connecté au récepteur SR315.

Vous devez effectuer à nouveau l'affectation :

- si différentes positions de sécurité intégrée sont souhaitées, par ex. lors du changement de l'inversion des gaz ou de la direction.

- lors de l'affectation du récepteur à un émetteur différent.



## COURSE DE SERVO

La course de servo sur les canaux de direction et des gaz peut être ajustée par le biais d'un mode de programmation spécial dans l'émetteur.

1. Commencez une fois que le processus d'affectation de l'émetteur au récepteur est terminé. Allumez le récepteur.
2. Maintenez les commandes entièrement à droite et en freinage complet tout en allumant l'émetteur pour mettre l'émetteur en mode programmation. La DEL de l'émetteur clignote 4 fois pour indiquer que l'émetteur est en mode programmation.
3. Tournez et maintenez le volant entièrement à gauche pour paramétrer la limite de course dans cette direction. Appuyez sur le bouton A pour augmenter la course, appuyez sur le bouton B pour réduire la course. La DEL clignote une fois à chaque changement. Remettez le volant au centre pour paramétrer la valeur de course.

4. Tournez le volant à droite et répétez le processus pour paramétrer la course de direction vers la droite.
5. Concernant les véhicules électriques, éteignez l'émetteur pour enregistrer les réglages. Étalonnez votre ESC sur la course de gaz par défaut.
6. Concernant les véhicules à carburant, réglez la course des gaz sans que le moteur ne fonctionne. Après avoir paramétré la course de direction, vous pouvez paramétrer la course des gaz de la même manière. Tirez la manette en position pleins gaz et maintenez-la dans cette position, ajustez la course avec les boutons A et B, puis revenez au centre pour paramétrer la valeur.
7. Poussez la manette en position de freinage complet, ajustez la course avec les boutons A et B, puis revenez au centre.
8. Éteignez l'émetteur pour enregistrer les valeurs.

**IMPORTANT :** si la valeur a atteint le maximum ou le minimum pouvant être accepté, la DEL ne clignote plus à chaque entrée supplémentaire.

## PRÉCAUTIONS DE PILOTAGE

- Regardez toujours le modèle.
- Inspectez régulièrement le serrage des roues du véhicule.
- Inspectez régulièrement les éléments de la direction, le serrage des vis. Une conduite en tout-terrain peut causer le desserrage des fixations.
- Ne pilotez pas le véhicule dans de l'herbe haute. Vous risqueriez d'endommager le véhicule ou l'électronique.
- Stoppez la conduite du véhicule quand vous sentez une baisse de la puissance. Conduire le véhicule avec une batterie déchargée peut entraîner la mise hors tension du récepteur. Si le récepteur n'est plus alimenté, vous perdrez le contrôle de votre véhicule. Les dommages causés par une batterie Li-Po déchargée ne sont pas couverts par la garantie.

**ATTENTION :** Ne déchargez pas une batterie Li-Po en dessous de 3V par élément. Les batteries qui sont déchargées en dessous de la tension minimale approuvée seront endommagées, résultant en une perte de performances et un risque potentiel d'incendie lors de la charge suivante.

- N'appliquez pas la marche avant ou arrière si le véhicule est bloqué. Vous risqueriez d'endommager le moteur ou le contrôleur.
- Après avoir piloté le véhicule, laissez l'électronique refroidir avant de piloter une nouvelle fois.

**IMPORTANT :** Maintenez les câbles à l'écart des pièces en mouvement.

## MISE SOUS TENSION DU VÉHICULE

1. Placez les potentiomètres ST TRIM et TH TRIM de l'émetteur au neutre.
2. Mettez l'émetteur sous tension.
3. Connectez une batterie entièrement chargée au contrôleur.
4. Mettez le contrôleur sous tension.

**IMPORTANT :** Le véhicule DOIT rester immobile sur surface plane et de niveau pendant au moins 5 secondes.



## AVANT DE FAIRE ROULER VOTRE VÉHICULE

1. Contrôlez le libre mouvement de la suspension. Tous les bras de suspension ainsi que les composants de direction doivent pivoter librement.

**Conseil :** Pour augmenter la hauteur de caisse et la garde au sol de votre véhicule, installez les entretoises d'amortisseurs fournies.

- Chargez la batterie. Chargez toujours la batterie en respectant les consignes données par le fabricant de la batterie et du chargeur.
- Ajustez sur l'émetteur le trim de la direction. Suivez les instructions pour régler le trim/sub-trim de façon que le véhicule roule droit quand le volant n'est pas actionné.
- Effectuez une test de direction.

## AUTONOMIE

Le facteur le plus influant sur l'autonomie est la capacité de la batterie. Une capacité supérieure augmentera l'autonomie.

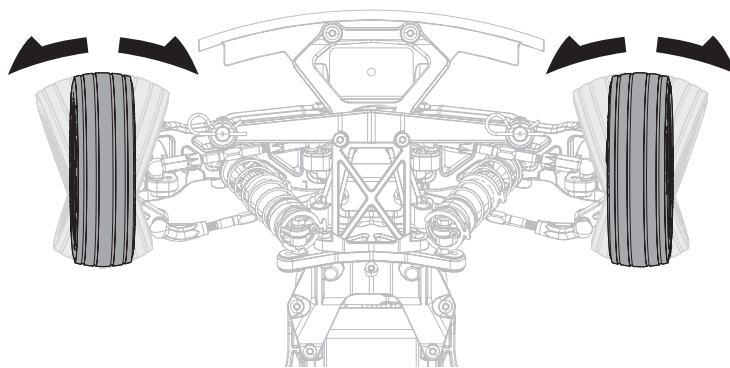
L'état de la batterie est aussi un facteur très important pour l'autonomie et la vitesse. Les prises de la batterie peuvent chauffer durant l'utilisation. Les batteries perdent en performances et capacité au fil du temps.

Passer le véhicule de l'arrêt à pleine vitesse de façon répétée finira par endommager la batterie et l'électronique. Les accélérations brutales réduisent l'autonomie.

### POUR AMÉLIORER L'AUTONOMIE

- Ayez toujours un véhicule entretenu et propre.
- Optimisez le refroidissement du contrôleur et du moteur.
- Changez votre rapport de transmission pour une réduction plus importante. Une réduction plus importante diminuera la température de fonctionnement de l'électronique. Utilisez un pignon plus petit ou une couronne plus grande pour obtenir une réduction plus importante.
- Utilisez une batterie avec une capacité plus élevée.
- Utilisez le chargeur optimum pour effectuer la recharge des batteries (Consultez votre revendeur local pour des informations complémentaires).

## TEST DE DIRECTION



Effectuez un test des commandes en plaçant les roues du véhicule hors du sol. Si les roues se mettent à tourner après la mise sous tension du véhicule, ajustez le potentiomètre TH Trim jusqu'à obtenir l'arrêt de la rotation des roues. Pressez la gâchette pour faire tourner les roues en avant. Pour inverser leur rotation, attendez que leur rotation s'arrête, puis poussez la gâchette. Quand les roues tournent en marche avant, elle doivent rester parfaitement droites sans devoir corriger l'angle à l'aide du volant. Si ce n'est pas le cas, ajustez le trim ST Trim pour obtenir un trajectoire rectiligne sans agir sur le volant.

## VARIATEUR ESC SPEKTRUM™ FIRMA 100A 2-3S SANS BALAIS SMART (SPMXSE1100)

### CALIBRAGE DU VARIATEUR ESC ET DE L'ÉMETTEUR

- Commencez une fois l'affectation de l'émetteur et du récepteur terminée.
- Réglez le canal d'accélérateur de votre émetteur sur une course à 100 % et le trim à la position neutre.
- Activez votre émetteur et raccordez une batterie au variateur ESC, mais ne le mettez pas sous tension.
- Appuyez sur le bouton de configuration et maintenez-le enfoncé tout en allumant le variateur ESC. Lorsque la DEL rouge commence à clignoter, relâchez le bouton de configuration. Le variateur ESC entrera en mode programmation en cas de pression sur le bouton pendant plus de trois secondes.

**CONSEIL :** La DEL rouge devrait clignoter lorsque le variateur ESC entre en mode calibrage. Si la DEL verte clignote, le variateur ESC est en mode programmation.

- Laissez la commande d'accélération en position neutre, puis appuyez sur le bouton de configuration et relâchez-le. La DEL rouge cessera de clignoter, la DEL verte clignotera une fois et le moteur émettra une tonalité pour indiquer que la position neutre a été acceptée.
- Maintenez la commande d'accélération en position pleins gaz, puis appuyez sur le bouton de configuration et relâchez-le. La DEL verte clignotera deux fois et le moteur émettra deux tonalités pour indiquer que la position pleins gaz a été acceptée.
- Maintenez la commande d'accélération en position plein freinage, puis appuyez sur le bouton de configuration et relâchez-le. La DEL verte clignotera trois fois et le moteur émettra trois tonalités pour indiquer que la position plein freinage a été acceptée.

Le moteur fonctionnera normalement une fois le calibrage terminé.

### OPTIONS PROGRAMMABLES FIRMA 100A

MENUS OPTIONS	VALEURS PROGRAMMABLES							
	1	2	3	4	5	6	7	8
1 Type de batterie	LiPo	NiMh						
2 Mode de démarrage (Punch)	Niveau 1	Niveau 2	Niveau 3	Niveau 4	Niveau 5			
3 Force de freinage maximale	25%	37,50%	50%	62,50%	75%	87,50%	100%	
4 Mode de fonctionnement	Marche avant/arrière et frein	Forward with Brake						
5 Rotation du moteur	CCW	CW						
6 Tension du circuit BEC	6,0V	7,4V						
7 Synchronisation	0°	3,75°	7,5°	11,25°	15°	18,75°	22,5°	26,25°

■ Par défaut

## DESCRIPTION

### Type de batterie

Ce réglage vous permet de modifier la chimie de la batterie. La modification de ce réglage ne modifie que la tension de coupure. La sélection de « Li-Po » empêchera une décharge excessive de votre batterie Li-Po. La sélection de « NiMH » supprimera la LVC et permettra à la batterie de se vider beaucoup plus. Ce réglage est essentiel lors de l'utilisation d'une batterie Li-Po lorsque « NiMH » est sélectionné. Cela peut endommager gravement une batterie Li-Po et/ou provoquer un incendie. Veuillez utiliser uniquement une batterie Li-Po avec le mode Li-Po.

### Mode de démarrage

Définit le punch d'accélérateur initial lorsque la voiture accélère. Le niveau 1 donne une accélération initiale très douce et le niveau 4 donne une accélération initiale plus forte.

### Punch

Sélectionnez le niveau du mode de démarrage : du Niveau 1 (Léger) au Niveau 9 (Très agressif). Si vous choisissez les niveaux 7 à 9, utilisez un pack de batteries de qualité élevée avec une capacité de décharge puissante. Sans pack de batteries de qualité, les modes n'assureront pas un effet de démarrage à éclatement. Si le moteur ne fonctionne pas de manière fluide (i.e. tremblements), choisissez une meilleure batterie ou augmentez le rapport d'engrenage.

### Force de freinage maximale

Réglez la force de freinage maximale appliquée au moteur. Cette force détermine la résistance de mouvement lorsque les freins sont serrés à fond. Le réglage de cette valeur aidera le véhicule à ralentir. Si le réglage est trop élevé, les pneus peuvent se bloquer, entraînant un dérapage incontrôlable du véhicule. Si le réglage est trop bas, la voiture mettra beaucoup de temps à ralentir.

### Mode de fonctionnement

#### - Marche avant avec frein

Utilisé en compétition, ce mode ne permet que la marche avant et le frein.

#### - Marche avant/arrière avec frein

Ce mode est le plus utilisé, il permet la marche avant, la marche arrière et le contrôle des freins. Pour enclencher la marche arrière quand vous roulez en avant, appliquez le frein jusqu'à l'arrêt complet du véhicule, relâchez le frein, puis freinez de nouveau, le véhicule va reculer. Quand vous reculez ou que vous freinez, si vous appliquez de l'accélérateur, la marche avant passe instantanément.

### Rotation du moteur

Le réglage de la rotation du moteur au niveau du variateur ESC permet au moteur de fonctionner dans le sens horaire et antihoraire. Ce réglage permet une installation rapide

du moteur et du variateur ESC sans besoin de permuter les fils du moteur pour obtenir un entraînement avant. Si votre voiture recule lorsque l'accélérateur avant est appliqué, changez ce paramètre pour obtenir les résultats souhaités.

### Tension du circuit BEC

Règle la tension fournie au récepteur. Le circuit BEC (circuit de suppression de la batterie) permet à une seule batterie d'alimenter à la fois le moteur et l'équipement radio. La tension de sortie peut être réglée pour installer des composants qui utilisent 6,0–7,4 volts.

### Synchronisation

La synchronisation du moteur ESC est réglée à l'aide du programmeur ESC ou par réglage manuel à l'aide de l'émetteur. La synchronisation est un paramètre qui détermine de nombreux facteurs, notamment l'efficacité, le couple, le régime et la température. Augmenter la synchronisation signifie généralement que vous augmentez le régime, l'accélération d'énergie et le courant, tout en ajoutant de la chaleur, en réduisant le couple et en diminuant l'efficacité. Réduire la synchronisation signifie généralement une efficacité plus élevée, moins de chaleur et un couple supplémentaire, tout en réduisant le régime et l'accélération d'énergie.

### Coupage basse tension

Cette fonction évite les décharges trop importantes de la batterie. Le contrôleur surveille en continu la tension de la batterie. Si la tension descend durant 2 secondes en dessous de la valeur programmée, l'alimentation du moteur est coupée et la DEL rouge clignote deux fois de manière répétée.

Le calcul du seuil de la coupure est basé sur la tension individuelle de chaque élément Li-Po. Concernant les batteries Ni-MH, si la tension de la batterie est supérieure à 9V, elle sera considérée comme une batterie Li-Po 3S, si la tension de la batterie est inférieure à 9V, elle sera considérée comme une batterie Li-Po 2S. Par exemple, une batterie Ni-MH de 8V utilisée avec un seuil de coupure à 2.6V par élément, sera considérée comme une batterie Li-Po 2S et la tension de coupure sera à 5.2V (2.6 x 2=5.2V). En utilisant la boîte de programmation digitale optionnelle (DYN3748), vous pourrez régler le seuil de coupure.

### Plage neutre

Ajustez ce paramètre lors du changement d'émetteur ou de variateur ESC. Ce réglage est programmé au niveau du variateur ESC et enregistre la position neutre par défaut du signal provenant de l'émetteur. Si la voiture avance ou ne répond pas rapidement au changement d'accélération de l'émetteur, réglez ce paramètre. Consultez le manuel de votre variateur ESC pour obtenir des instructions détaillées sur la façon de régler la position neutre.

Indicateur DEL	Code DEL
Variateur ESC allumé, indicateur DEL éteint	La commande d'accélérateur est dans la zone neutre
DEL rouge allumée	L'ESC fonctionne en marche avant, marche arrière ou frein
DEL rouge et verte allumées	L'ESC est à plein régime, à plein frein ou à plein régime
La DEL rouge clignote avec de brèves mono-impulsions	Protection LVC activée
La DEL verte clignote avec de brèves mono-impulsions	Le variateur ESC est en mode protection thermique
La DEL verte clignote avec trois brèves impulsions répétées	Le variateur ESC a dépassé la limite de courant continu
La DEL verte clignote avec quatre brèves impulsions répétées	L'autodiagnostic du variateur ESC a échoué
La DEL verte clignote avec cinq brèves impulsions répétées	Temp. du condensateur dépassée

## PROCÉDURE DE PROGRAMMATION DU VARIATEUR ESC

La programmation s'effectue en appuyant sur le bouton SET (CONFIGURER) sur le commutateur ON/OFF (MARCHE/ARRÊT).

1. Connectez une batterie complètement chargée au variateur ESC.
2. Allumez le variateur ESC à l'aide du commutateur du variateur ESC.
3. Appuyez sur et maintenez le bouton SET (CONFIGURER) enfoncé pendant 3 secondes jusqu'à ce que le témoin DEL vert clignote, puis relâchez le bouton SET (CONFIGURER).
4. Appuyez une fois sur le bouton SET (CONFIGURER) jusqu'à ce que le témoin DEL vert clignote une fois en séquence, indiquant que la valeur programmable 1 est actuellement sélectionnée.

**Conseil :** Appuyer à nouveau sur le bouton de configuration permet de déplacer la valeur programmable sur 2, etc., jusqu'à ce que la valeur programmable souhaitée soit atteinte. Le système continue en « boucle ».

5. Lorsque vous avez atteint l'élément du menu, maintenez appuyé le bouton SET (CONFIGURER) pendant 3 secondes jusqu'à ce que le témoin DEL rouge clignote.

**Conseil :** La séquence de clignotements du témoin DEL indique le paramètre actuel : par exemple, un clignotement indique que la valeur 1 est sélectionnée, deux clignotements indiquent que la valeur 2 est sélectionnée, etc.

6. Appuyez plusieurs fois sur le bouton de configuration pour sélectionner la valeur programmable souhaitée. Le système continue en « boucle ».
7. Enregistrez les paramètres en maintenant enfoncé le bouton SET (CONFIGURER) pendant 3 secondes. Le variateur ESC bip une fois.
8. Éteignez le variateur ESC, puis allumez-le immédiatement. La modification du paramètre est enregistrée.

**Conseil :** Seul un paramètre peut être enregistré/stocké en même temps.

# MOTEUR SPEKTRUM 3652 4 PÔLES SANS BALAIS 6 500 KV (DYNS1495)

## PRÉCAUTIONS

- Ne touchez jamais les parties en mouvement.
- Ne démontez jamais le moteur quand la batterie est installée.
- Laissez toujours refroidir avant de manipuler.

## TRANSMISSION

Le véhicule est équipé d'un engrenage optimal pour les batteries 2S. Lorsque vous utilisez des batteries 3S, utilisez un engrenage alternatif pour optimiser la vitesse, la puissance et l'efficacité.

Installer un engrenage à pignons avec moins de dents ou un engrenage cylindrique avec plus de dents augmentera le couple et réduira la vitesse maximale. De la même façon, un engrenage à pignons avec plus de dents ou un engrenage cylindrique avec moins de dents réduira le couple et augmentera la vitesse maximale. Faites attention lorsque vous installez des engrenages à pignon plus larges, car cela peut « surcharger » le véhicule, entraînant une surchauffe du moteur et du variateur ESC. Lorsque vous testez différentes options pour l'engrenage, faites bien attention à la température du moteur et au contrôle des vitesses pour vous assurer que vous roulez avec la plage adaptée de températures. Si le moteur est trop chaud, basculez sur un engrenage à pignons et/ou sur une association d'engrenage cylindrique plus rapide.

**ATTENTION** : Ne touchez pas le variateur ESC ou le moteur après l'utilisation, car cela peut provoquer des blessures corporelles. Ne laissez pas le variateur ESC ou le moteur dépasser 71 °C (160 °F). Un détecteur de température (DYNF1055 recommandé) peut être utilisé pour vérifier la température en toute sécurité avant la manipulation.

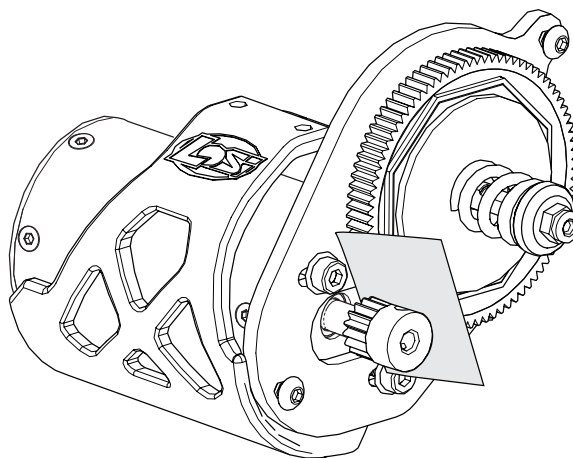
## CHANGEMENT DU PIGNON ET DU RAPPORT DE TRANSMISSION

1. Enlevez les vis qui maintiennent le couvercle de l'engrenage en place.
2. Desserrez la vis de blocage et enlevez l'engrenage de pignon installé.
3. Dévissez les vis de fixation du moteur et glissez l'arrière du moteur.
4. Placez le nouveau pignon sur l'axe du moteur de façon que la vis sans tête appuie sur le méplat de l'axe.
5. Positionnez-le de façon à avoir les dents dans l'alignement de celles de la couronne et serrez la vis sans tête.
6. Effectuez le réglage de l'entre-dent.

## RÉGLAGE DE L'ENTRE-DENTS

Ce réglage est déjà effectué en usine, il est seulement nécessaire de l'effectuer quand vous changez de moteur ou de pignon.

Un réglage parfait de l'entre-dents (le point de contact des dents) de pignons est important pour les performances du véhicule. Si l'écart est trop important, la couronne risque d'être endommagée par le pignon du moteur. Si l'écart est trop faible, la vitesse sera limitée et le moteur et le contrôleur vont surchauffer.



1. Dévissez les vis de fixation du moteur.
2. Glissez un petit morceau de papier entre le pignon et la couronne.
3. Rapprochez le pignon de la couronne en serrant les vis du moteur.
4. Retirez le morceau de papier, les pignons doivent avoir un léger jeu.

## GUIDE DE DÉPANNAGE

PROBLÈME	CAUSE POSSIBLE	SOLUTION
Le véhicule ne fonctionne pas	Batterie déchargée ou débranchée	Chargez la batterie ou branchez la
	L'interrupteur du contrôleur n'est pas en position "ON"	Mettez l'interrupteur sur "ON"
	L'émetteur n'est pas sous tension ou la batterie est faible	Mettez l'émetteur sous tension ou chargez la batterie
Le moteur tourne mais les roues ne sont pas entraînées	Le pignon n'entraîne pas la couronne	Réglez l'entre-dents
	Le pignon tourne sur l'axe moteur	Resserrez la vis du pignon sur le méplat de l'axe moteur
	Dents de pignons abîmées	Remplacez les pignons
	Goupille cassée	Contrôlez et remplacez la goupille
La direction ne fonctionne pas	Le servo n'est pas correctement branché	Vérifiez que la prise du servo est bien connectée à la voie de direction, et que la polarité est correcte
	Le moteur ou les pignons du servo sont endommagés	Remplacez ou réparez le servo
Ne tourne que dans une direction	Les pignons du servo sont endommagés	Remplacez ou réparez le servo
Le moteur ne fonctionne pas	Un câble du moteur est dessoudé	Ressoudez le câble à l'aide de matériel adapté
	Un câble est endommagé	Réparez ou remplacez le câble
	Le contrôleur est endommagé	Contactez le service client Horizon Hobby
Le contrôleur chauffe	Le rapport de transmission n'est pas adapté	Utilisez un pignon plus petit ou une couronne plus grande
	Transmission non libre	Contrôlez la transmission afin de trouver la cause du blocage
Faible autonomie	La batterie n'est pas totalement chargée	Rechargez la batterie
	Le chargeur n'effectue pas la charge complète	Utilisez un autre chargeur
	Transmission non libre	Contrôlez la transmission afin de trouver la cause du blocage
Portée limitée	Batteries de l'émetteur trop faibles	Contrôlez et remplacez
	Batterie du véhicule trop faible	Rechargez la batterie
	Mauvais contacts	Contrôlez toutes les connexions



## GARANTIE ET RÉPARATIONS

### Durée de la garantie

Garantie exclusive – Horizon Hobby, LLC (Horizon) garantit que le Produit acheté (le « Produit ») sera exempt de défauts matériels et de fabrication à sa date d'achat par l'Acheteur. La durée de garantie correspond aux dispositions légales du pays dans lequel le produit a été acquis. La durée de garantie est de 6 mois et la durée d'obligation de garantie de 18 mois à l'expiration de la période de garantie.

### Limitations de la garantie

(a) La garantie est donnée à l'acheteur initial (« Acheteur ») et n'est pas transférable. Le recours de l'acheteur consiste en la réparation ou en l'échange dans le cadre de cette garantie. La garantie s'applique uniquement aux produits achetés chez un revendeur Horizon agréé. Les ventes faites à des tiers ne sont pas couvertes par cette garantie. Les revendications en garantie seront acceptées sur fourniture d'une preuve d'achat valide uniquement. Horizon se réserve le droit de modifier les dispositions de la présente garantie sans avis préalable et révoque alors les dispositions de garantie existantes.

(b) Horizon n'endosse aucune garantie quant à la vendabilité du produit ou aux capacités et à la forme physique de l'utilisateur pour une utilisation donnée du produit. Il est de la seule responsabilité de l'acheteur de vérifier si le produit correspond à ses capacités et à l'utilisation prévue.

(c) Recours de l'acheteur – Il est de la seule discrétion d'Horizon de déterminer si un produit présentant un cas de garantie sera réparé ou échangé. Ce sont là les recours exclusifs de l'acheteur lorsqu'un défaut est constaté.

Horizon se réserve la possibilité de vérifier tous les éléments utilisés et susceptibles d'être intégrés dans le cas de garantie. La décision de réparer ou de remplacer le produit est du seul ressort d'Horizon. La garantie exclut les défauts esthétiques ou les défauts provoqués par des cas de force majeure, une manipulation incorrecte du produit, une utilisation incorrecte ou commerciale de ce dernier ou encore des modifications de quelque nature qu'elles soient.

La garantie ne couvre pas les dégâts résultant d'un montage ou d'une manipulation erronés, d'accidents ou encore du fonctionnement ainsi que des tentatives d'entretien ou de réparation non effectuées par Horizon. Les retours effectués par le fait de l'acheteur directement à Horizon ou à l'une de ses représentations nationales requièrent une confirmation écrite.

### Limitation des dommages

Horizon ne saurait être tenu pour responsable de dommages conséquents directs ou indirects, de pertes de revenus ou de pertes commerciales, liés de quelque manière que ce soit au produit et ce, indépendamment du fait qu'un recours puisse être formulé en relation avec un contrat, la garantie ou l'obligation de garantie. Par ailleurs, Horizon n'acceptera pas de recours issus d'un cas de garantie lorsque ces recours dépassent la valeur unitaire du produit. Horizon n'exerce aucune influence sur le montage, l'utilisation ou la maintenance du produit ou sur d'éventuelles combinaisons de produits choisis par l'acheteur. Horizon ne prend en compte aucune garantie et n'accepte aucun recours pour les blessures ou les dommages pouvant en résulter. Horizon Hobby ne saurait être tenu responsable d'une utilisation ne respectant pas les lois, les règles ou réglementations en vigueur. En utilisant et en montant le produit, l'acheteur accepte sans restriction ni réserve toutes les dispositions relatives à la garantie figurant dans le présent document. Si vous n'êtes pas prêt, en tant qu'acheteur, à accepter ces dispositions en relation avec l'utilisation du produit, nous vous demandons de restituer au vendeur le produit complet, non utilisé et dans son emballage d'origine.

### Indications relatives à la sécurité

Ceci est un produit de loisirs perfectionné et non un jouet. Il doit être utilisé avec précaution et bon sens et nécessite quelques aptitudes mécaniques ainsi que mentales. L'incapacité à utiliser le produit de manière sûre et raisonnable peut provoquer des blessures et des dégâts matériels conséquents. Ce produit n'est pas destiné à être utilisé par des enfants sans la surveillance par un tuteur. La notice d'utilisation contient des indications relatives à la sécurité ainsi que des indications concernant la maintenance et le fonctionnement du produit. Il est absolument indispensable de lire et de comprendre ces indications avant la première mise en service. C'est uniquement ainsi qu'il sera possible d'éviter une manipulation erronée et des accidents entraînant des blessures et des dégâts. Horizon Hobby ne saurait être tenu responsable d'une utilisation ne respectant pas les lois, les règles ou réglementations en vigueur.

### Questions, assistance et réparations

Votre revendeur spécialisé local et le point de vente ne peuvent effectuer une estimation d'éligibilité à l'application de la garantie sans avoir consulté Horizon. Cela vaut également pour les réparations sous garantie. Vous voudrez bien, dans un tel cas, contacter le revendeur qui conviendra avec Horizon d'une décision appropriée, destinée à vous aider le plus rapidement possible.

### Maintenance et réparation

Si votre produit doit faire l'objet d'une maintenance ou d'une réparation, adressez-vous soit à votre revendeur spécialisé, soit directement à Horizon. Emballez le produit soigneusement. Veuillez noter que le carton d'emballage d'origine ne suffit pas, en règle générale, à protéger le produit des dégâts pouvant survenir pendant le transport. Faites appel à un service de messagerie proposant une fonction de suivi et une assurance, puisque Horizon ne prend aucune responsabilité pour l'expédition du produit jusqu'à sa réception acceptée. Veuillez joindre une preuve d'achat, une description détaillée des défauts ainsi qu'une liste de tous les éléments distincts envoyés. Nous avons de plus besoin d'une adresse complète, d'un numéro de téléphone (pour demander des renseignements) et d'une adresse de courriel.

### Garantie et réparations

Les demandes en garantie seront uniquement traitées en présence d'une preuve d'achat originale émanant d'un revendeur spécialisé agréé, sur laquelle figurent le nom de l'acheteur ainsi que la date d'achat. Si le cas de garantie est confirmé, le produit sera réparé. Cette décision relève uniquement de Horizon Hobby.

### Réparations payantes

En cas de réparation payante, nous établissons un devis que nous transmettons à votre revendeur. La réparation sera seulement effectuée après que nous ayons reçu la confirmation du revendeur. Le prix de la réparation devra être acquitté au revendeur. Pour les réparations payantes, nous facturons au minimum 30 minutes de travail en atelier ainsi que les frais de réexpédition. En l'absence d'un accord pour la réparation dans un délai de 90 jours, nous nous réservons la possibilité de détruire le produit ou de l'utiliser autrement.

**ATTENTION :** nous n'effectuons de réparations payantes que pour les composants électroniques et les moteurs. Les réparations touchant à la mécanique, en particulier celles des hélicoptères et des voitures radiocommandées, sont extrêmement coûteuses et doivent par conséquent être effectuées par l'acheteur lui-même.

10/15

## COORDONNÉES DE GARANTIE ET RÉPARATIONS

Pays d'achat	Horizon Hobby	Numéro de téléphone/E-mail	Adresse
Union européenne	Horizon Technischer Service	service@horizonhobby.de +49 (0) 4121 2655 100	Hanskampring 9 D 22885 Barsbüttel, Germany
	Sales: Horizon Hobby GmbH		

## INFORMATION DE IC

IC: 6157A-SPMSLT300

IC: 6157A-SRIRVINGV1

CAN ICES-3 (B)/NMB-3(B)

Ce dispositif contient un/des émetteur(s)/récepteur(s) non soumis à licence conforme(s) aux CNR d'Innovation, Sciences et Développement économique Canada. Son utilisation est soumise aux deux conditions suivantes : (1) Cet appareil ne doit pas causer d'interférences, et (2) Cet appareil doit accepter toutes les interférences, y compris celles pouvant entraîner un dysfonctionnement.

## INFORMATIONS DE CONFORMITÉ POUR L'UNION EUROPÉENNE



### Déclaration de conformité de l'Union européenne:

Par la présente, Horizon Hobby, LLC déclare que cet appareil est conforme aux directives suivantes : Directive relative aux équipements radioélectriques 2014/53/UE ; Directive RoHS 2 2011/65/UE ; Directive RoHS 3 - Modifiant

2011/65/UE Annexe II 2015/863.

Le texte complet de la déclaration de conformité UE est disponible à l'adresse Internet suivante : <https://www.horizonhobby.com/content/support-render-compliance>.

**REMARQUE:** Ce produit contient des batteries couvertes par la directive européenne 2006/66 / EC, qui ne peuvent pas être jetées avec les déchets ménagers. Veuillez respecter les réglementations locales.

### Gamme de fréquences sans fil et Puissance de sortie sans fil:

#### Émetteur:

2403–2480MHz

16.3dBm

#### Récepteur:

2404–2476MHz

-1.33dBm

### Fabricant officiel de l'UE :

Horizon Hobby, LLC  
2904 Research Road  
Champaign, IL 61822 USA

### Importateur officiel de l'UE :

Horizon Hobby, GmbH  
Hanskampring 9  
22885 Barsbüttel Germany

### DIRECTIVE DEEE :



L'étiquette de cet appareil respecte la directive européenne 2012/19/UE en matière de déchets des équipements électriques et électroniques (DEEE). Cette étiquette indique que ce produit ne doit pas être jeté avec les déchets ménagers, mais déposé dans une installation appropriée afin de permettre sa récupération et son recyclage.

## AVVISO

Tutte le istruzioni, le garanzie e gli altri documenti pertinenti sono soggetti a cambiamenti a totale discrezione di Horizon Hobby, LLC. Per una documentazione aggiornata sul prodotto, visitare il sito [horizonhobby.com](http://horizonhobby.com) o [towerhobbies.com](http://towerhobbies.com) e fare clic sulla sezione Support del prodotto.

## CONVENZIONI TERMINOLOGICHE

Nella documentazione relativa al prodotto vengono utilizzati i seguenti termini per indicare i vari livelli di pericolo potenziale durante l'uso del prodotto:

**AVVERTENZA:** Indica procedure che, se non debitamente seguite, determinano il rischio di danni alle cose, danni collaterali e gravi lesioni alle persone o il rischio elevato di lesioni superficiali alle persone.

**ATTENZIONE:** Indica procedure che, se non debitamente seguite, determinano il rischio di danni alle cose e di gravi lesioni alle persone.

**AVVISO:** Indica procedure che, se non debitamente seguite, possono determinare il rischio di danni alle cose e il rischio minimo o nullo di lesioni alle persone.

**AVVERTENZA:** leggere TUTTO il manuale di istruzioni e familiarizzare con le caratteristiche del prodotto prima di farlo funzionare. Un uso improprio del prodotto può causare danni al prodotto stesso e alle altre cose e gravi lesioni alle persone.

Questo modello è un prodotto sofisticato per appassionati di modellismo. Deve essere azionato in maniera attenta e responsabile e richiede alcune conoscenze basilari di meccanica. L'uso improprio o irresponsabile di questo prodotto può causare lesioni alle persone e danni al prodotto stesso o alle altre cose. Questo prodotto non deve essere utilizzato dai bambini senza la diretta supervisione di un adulto. Non tentare di smontare, utilizzare componenti incompatibili o modificare il prodotto in nessun caso senza previa approvazione di Horizon Hobby, LLC. Questo manuale contiene le istruzioni per la sicurezza, l'uso e la manutenzione del prodotto. È fondamentale leggere e seguire tutte le istruzioni e le avvertenze del manuale prima di montare, impostare o utilizzare il prodotto, al fine di utilizzarlo correttamente e di evitare di causare danni alle cose o gravi lesioni alle persone.

**AVVERTENZA CONTRO PRODOTTI CONTRAFFATTI** Acquistate sempre da rivenditori autorizzati Horizon Hobby per essere certi di avere prodotti originali Spektrum di alta qualità. Horizon Hobby rifiuta qualsiasi supporto o garanzia riguardo, ma non limitato a, compatibilità e prestazioni di prodotti contraffatti o che dichiarano compatibilità con DSM o Spektrum.

**Età consigliata: almeno 14 anni. Questo non è un giocattolo.**

## PRECAUZIONI E AVVERTENZE SULLA SICUREZZA

In quanto utilizzatore di questo prodotto, voi siete gli unici responsabili per una condotta che non costituisca pericolo per voi e gli altri, e che possa causare danni al modello o ad altre proprietà. Questo modello è controllato da un segnale radio potenzialmente soggetto a interferenze da molte fonti che non potete controllare. Queste interferenze possono generare momentanee perdite di controllo del modello, quindi è consigliabile mantenere sempre una certa distanza di sicurezza in ogni direzione, poiché questo può aiutare ad evitare urti o infortuni.

- Non utilizzare mai il modello con batterie scariche.
- Utilizzate sempre il modello in zone ampie, sgombre da persone, macchine e traffico.
- Non utilizzate mai il modello in strade aperte al traffico o in luoghi affollati.
- Seguite attentamente le avvertenze d'uso di questo modello e di ogni altro accessorio (caricabatterie, batterie ricaricabili ecc.).
- Tenete qualsiasi prodotto chimico o elettrico al di fuori della portata dei bambini.

- Non leccate o ingerite alcun pezzo del modello perché questo può causare infortuni seri, o addirittura la morte.
- Utilizzate sempre con attenzione attrezzi e oggetti affilati.
- Prestare attenzione durante la costruzione perché alcune parti potrebbero avere degli spigoli vivi.
- Subito dopo l'uso NON toccate componenti del modello quali motore, variatore elettronico o la batteria, perché si scaldano molto durante il funzionamento. Toccandoli potreste scottarvi.
- Non infilate le dita tra gli ingranaggi del modello o altre parti in rotazione o movimento, poiché questo può causare danni o infortuni gravi.
- Accendete sempre prima la trasmittente e poi la ricevente sul modello. Invece spegnete sempre prima la ricevente e poi la trasmittente.
- Sollevate le ruote del modello da terra quando controllate il corretto funzionamento dell'apparato radio.

## INDICE

REGISTRATE ONLINE IL VOSTRO PRODOTTO LOSI .....	27	TEMPO DI UTILIZZO .....	31
CONTENUTO.....	28	PER MIGLIORARE LA DURATA DI FUNZIONAMENTO.....	31
COMPONENTI.....	28	ESEGUIRE UN CONTROLLO DELLA DIREZIONE DEI COMANDI .....	31
VEICOLO RESISTENTE ALL'ACQUA CON ELETTRONICA IMPERMEABILE .....	28	SMART ESC SPEKTRUM FIRMA 100A 2-3S BRUSHLESS (SPMXS1100) .....	31
PRECAUZIONI GENERALI.....	28	CALIBRAZIONE DI TRASMITTENTE ED ESC.....	31
MANUTENZIONE IN CONDIZIONI UMIDE .....	28	OPZIONI PROGRAMMABILI FIRMA 100A.....	31
AVVIO RAPIDO .....	28	DESCRIZIONI.....	32
CARICA DELLA BATTERIA.....	28	PROCEDURA DI CALIBRAZIONE DELL'ESC .....	32
METTERE LA BATTERIA .....	29	MOTORE SPEKTRUM 3652 4 POLI BRUSHLESS 6500 KV (SPMXSM2800).....	33
FUNZIONI DELLA TRASMITTENTE.....	29	PRECAUZIONI .....	33
INSTALLARE LE PILE DEL TRASMETTITORE .....	29	RIDUTTORE.....	33
RICEVITORE A DOPPIO PROTOCOLLO SPMSR315.....	30	CAMBIARE PIGNONE/RAPPORTO DI RIDUZIONE.....	33
ANTENNA DEL RICEVITORE.....	30	REGOLARE IL GIOCO DELL'INGRANAGGIO .....	33
CONNESSIONE (BINDING).....	30	GUIDA ALLA RISOLUZIONE DEI PROBLEMI.....	33
SERVOCORSA .....	30	GARANZIA .....	34
PRECAUZIONI NELLA GUIDA .....	30	GARANZIA E ASSISTENZA INFORMAZIONI PER I CONTATTI.....	34
ACCENSIONE DEL VEICOLO .....	30	DICHIARAZIONE DI CONFORMITÀ EU .....	34
PRIMA DI USARE IL VEICOLO .....	31		

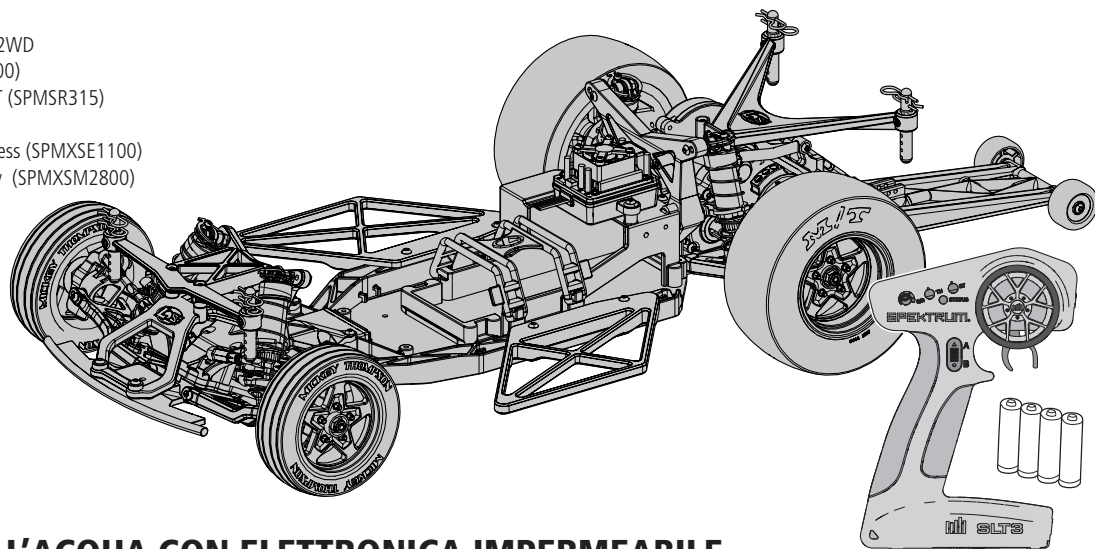
## REGISTRATE ONLINE IL VOSTRO PRODOTTO LOSI

Registrate ora il vostro veicolo per essere i primi ad essere informati sugli ultimi aggiornamenti, accessori, ecc. Cliccate sulla linguetta Support in [www.Losi.com](http://www.Losi.com) e seguite il link per la registrazione del prodotto.

## CONTENUTO

### COMPONENTI

- Losi 22S No Prep Drag Car, Brushless RTR: 1/10 2WD
- Trasmettente Spektrum SLT3 3 canali (SPMRLT300)
- Ricevitore Spektrum doppio protocollo DMSR/SLT (SPMSR315)
- Servo waterproof Spektrum 6 kg (SPMS606)
- SMART ESC Spektrum FIRMA 100A 2-3S Brushless (SPMXSE1100)
- Motore Spektrum 3652 4 poli Brushless 6500 Kv (SPMXSM2800)
- 4 pile AA (per la trasmettente)



## VEICOLO RESISTENTE ALL'ACQUA CON ELETTRONICA IMPERMEABILE

Il vostro nuovo veicolo Horizon Hobby è stato progettato e costruito con una combinazione di componenti impermeabili e resistenti all'acqua, per consentirvi di utilizzare il prodotto in molte situazioni "umide", incluse pozze, ruscelli, erba bagnata, neve e anche pioggia.

Sebbene tutto il veicolo sia altamente resistente all'acqua, tuttavia non è completamente impermeabile e NON si può trattare come fosse un sottomarino. I vari componenti elettronici usati sul veicolo, come il regolatore elettronico di velocità (ESC), i servi e il ricevitore, sono impermeabili, però molti dei componenti meccanici sono solo resistenti all'acqua e non si possono immergere.

Le parti metalliche, inclusi i cuscinetti, le cerniere, viti e dadi, come pure i contatti sui cavi elettrici, sono suscettibili di corrosione se non si fa una particolare manutenzione dopo l'uso sul bagnato. Per prolungare al massimo le prestazioni nel tempo e tenere valida la garanzia, le procedure descritte nella sezione "Manutenzione in condizioni umide," si devono applicare regolarmente se si sceglie di correre sul bagnato. Se non siete disposti ad eseguire questa manutenzione aggiuntiva, allora dovete evitare di utilizzare il veicolo in queste condizioni.

**ATTENZIONE:** L'uso incauto di questo prodotto o il mancato rispetto delle seguenti precauzioni può portare ad un malfunzionamento del prodotto e/o invalidare la garanzia.

### PRECAUZIONI GENERALI

- Leggete attentamente le procedure di manutenzione del vostro veicolo in condizioni umide, per essere sicuri di avere tutte le attrezzature necessarie per questo scopo.
- Non tutte le batterie si possono usare in condizioni di umidità. Consultate il costruttore delle batterie prima di utilizzarle. Bisogna avere cautela quando si usano le batterie Li-Po in condizioni di bagnato.
- Molti trasmettitori non sono resistenti all'acqua. Consultate i relativi manuali o il costruttore prima dell'utilizzo.
- Non utilizzate mai il vostro trasmettente o il veicolo quando ci sono lampi.
- Non utilizzate il vostro veicolo quando c'è il rischio che entri in contatto con acqua salata (acqua marina o acqua proveniente da una strada su cui sia stato sparso del sale), acqua contaminata o inquinata. L'acqua salata è molto conduttiva e altamente corrosiva, perciò bisogna usare molta cautela.
- Anche il minimo contatto con l'acqua potrebbe ridurre la vita del vostro motore se non è stato certificato come impermeabile o resistente all'acqua. Se dovesse essere troppo umido, accelerate poco finché l'acqua non viene rimossa dal motore. Far girare forte un motore bagnato potrebbe danneggiarlo rapidamente.

- Guidare sul bagnato può ridurre la vita del motore. La resistenza aggiuntiva in queste condizioni causa uno sforzo eccessivo. Modificate il rapporto di riduzione diminuendo il pignone o aumentando la corona. Questo aumenta la coppia (e la vita del motore) quando si utilizza il veicolo nel fango, in pozzanghere profonde o qualsiasi altra situazione in cui l'umidità possa aumentare il carico del motore per lungo tempo.

### MANUTENZIONE IN CONDIZIONI UMIDE

- Scaricare l'acqua raccolta negli pneumatici facendoli girare ad alta velocità. Togliere la carrozzeria e rovesciare il veicolo, poi dare alcune brevi accelerate finché l'acqua non viene rimossa.

**ATTENZIONE:** Durante l'operazione precedente, tenere sempre lontano dalle parti rotanti mani, dita, attrezzi o altri oggetti liberi di muoversi.

- Togliere la batteria ed asciugarne i contatti. Se avete un compressore o una bombola di aria compressa, soffiare via l'eventuale acqua rimasta all'interno del connettore.
- Smontate le ruote/gomme dal veicolo e risciacquatele con attenzione per togliere il fango e la polvere usando un getto di acqua. Evitate di risciacquare i cuscinetti e la trasmissione.

**AVVISO:** Non usare acqua sotto pressione per pulire il vostro veicolo.

- Usate un compressore o una bombola di aria compressa per asciugare il veicolo e togliere i residui di acqua eventualmente rimasti nelle piccole fessure e negli angoli.
- Spruzzare un olio impermeabilizzante o un lubrificante su cuscinetti, elementi di fissaggio e altre parti metalliche. Non spruzzare sul motore.
- Lasciate che il veicolo si asciughi all'aria prima di riporlo. L'acqua (e l'olio) continuerà a sgocciolare per alcune ore.
- Smontate il veicolo più di frequente, ispezionando e lubrificando le parti seguenti:
  - I cuscinetti dei mozzi sugli assi anteriore e posteriore.
  - Tutte le scatole di trasmissione, ingranaggi e differenziali.
  - Pulite il motore con un adatto prodotto aerosol e rilubrificate le bocche con olio leggero per motore.

## AVVIO RAPIDO

Si prega di leggere tutto il manuale per conoscere completamente il veicolo 22S RTR per poterlo mettere a punto e fargli la manutenzione.

1. Leggere le precauzioni per la sicurezza che si trovano in questo manuale.
2. Caricare la batteria del veicolo. Fare riferimento alle avvertenze per la carica e a tutte le informazioni riguardanti la carica, comprese in questo manuale.
3. Installare nel trasmettente le pile AA. Usare solo pile alcaline o batterie ricaricabili.
4. Montare sul veicolo la batteria completamente carica.
5. Accendere il trasmettente e poi il veicolo. Aspettare 5 secondi in modo che l'ESC possa inicializzarsi. Accendere sempre il trasmettente prima del veicolo e spegnerlo dopo aver spento il veicolo.
6. Verificare che i comandi e i servi che li controllano si muovano nella giusta direzione.
7. Guidare il veicolo.
8. Spegnerlo prima il veicolo e poi il trasmettente.
9. Scollegare la batteria e rimuoverla dal veicolo.
10. Eseguire tutte le manutenzioni necessarie.

## CARICA DELLA BATTERIA

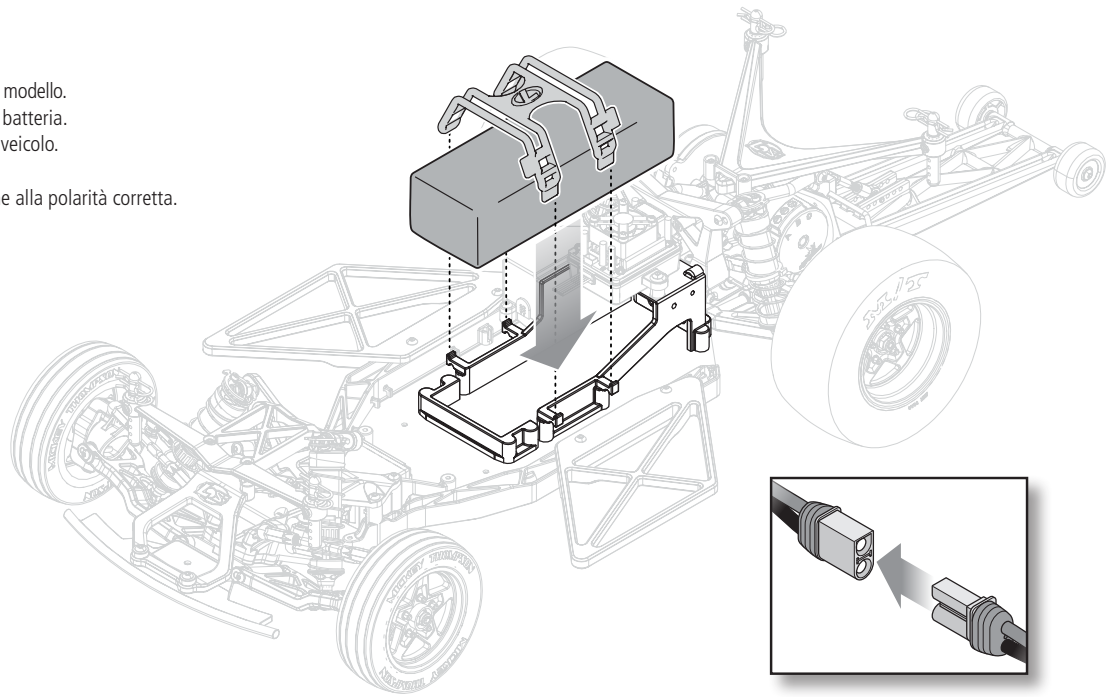
Scegliere una batteria progettata per lavorare con l'ESC SMART Spektrum™ FIRMA 100 A 2-3S Brushless. Consigliamo la batteria Spektrum™ 7,4 V 5000 mAh 2S 100C Smart Hardcase LiPo con connettore IC5 (SPMX50002S100H5). Scegliere un caricabatterie adatto per batterie LiPo 2S

e/o 3S. Si consiglia il caricabatterie Spektrum™ SMART S1200 CC 1x200 W (SPMXC1000). Fare riferimento ai manuali di batteria e caricabatterie per le istruzioni di utilizzo, sicurezza e carica.



## METTERE LA BATTERIA

1. Accertarsi che l'ESC sia spento.
2. Rimuovere le clip della carrozzeria e sollevarla dal modello.
3. Rimuovere le fasce in elastomero dai poli della batteria.
4. Installare la batteria completamente carica nel veicolo.
5. Fissare nuovamente le fasce in elastomero.
6. Collegare la batteria all'ESC, facendo attenzione alla polarità corretta.
7. Accendere la trasmittente e poi il veicolo.



## FUNZIONI DELLA TRASMITTENTE

### Specifiche

**Alimentazione:** 4 Batterie AA

**Frequenza di funzionamento:** 2,4 GHz

**Potenza di trasmissione:** <100mW

**Protocollo di controllo:** SLT

**Controllo:** sterzo e gas/freno proporzionali con manopole trim, terzo canale con interruttore temporaneo a 3 posizioni

**Funzioni ausiliarie:** interruttore limitatore gas a 3 posizioni, manopola tasso di sterzata per modificare "al volo" la corsa dello sterzo, servocorsa programmabile per sterzo e gas/freno

### A. Trim gas

Regola il punto neutro del gas

### B. Trim sterzo

Regola il punto centrale dello sterzo. Il trim dello sterzo è solitamente regolato fino a ottenere la marcia del veicolo in linea retta.

### C. LED

- **Luci rosse fisse:** la trasmittente è alimentata e la carica della batteria è adeguata
- **Luci rosse lampeggianti:** la tensione della batteria è eccessivamente bassa.  
Sostituire le batterie

### D. Volantino sterzo

### E. Gas/Freno

### F. Tasso di sterzata

Manopola per la regolazione "al volo" della corsa sullo sterzo

### G. Canale 3

Interruttore temporaneo a 3 posizioni, la posizione centrale è neutra  
Per la programmazione premere verso l'alto per il tasto A, verso il basso per il tasto B

### H. Limite gas

Limita il rendimento del gas al 50/75/100%  
Selezionare 50% o 75% per i piloti meno esperti o quando si guida il veicolo in un'area di dimensioni ridotte.

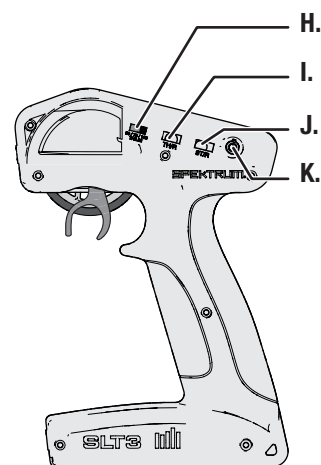
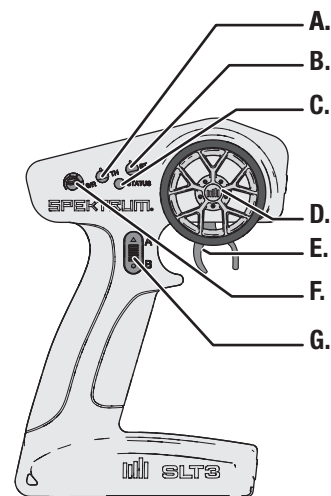
### I. Inversione servo gas (TH)

Spostare l'interruttore per invertire il canale del gas

### J. Inversione servo sterzo (ST)

Spostare l'interruttore per invertire il canale dello sterzo

### K. Pulsante di accensione



## INSTALLARE LE PILE DEL TRASMETTITORE

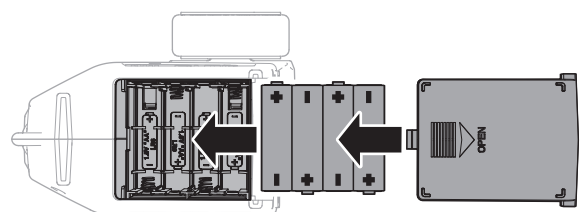
Questa trasmittente richiede 4 batterie AA.

1. Rimuovere la copertura della batteria dalla trasmittente.
2. Installare le batterie come mostrato.
3. Rimettere a posto il coperchio.

**ATTENZIONE:** non rimuovere mai le batterie dal trasmettitore mentre il modello è acceso. Una perdita di controllo del modello, danni o lesioni potrebbe verificarsi.

**ATTENZIONE:** se si usano anche le batterie ricaricabili, si raccomanda di caricare solo queste. È pericoloso caricare le pile a secco perché potrebbero esplodere causando lesioni e/o danni.

**ATTENZIONE:** se le batterie vengono sostituite con tipi non adatti, potrebbero esplodere. Le batterie si devono smaltire nel modo corretto secondo le disposizioni locali.



## RICEVITORE A DOPPIO PROTOCOLLO SPMSR315

### SPECIFICHE

**Tipo:** ricevitore\* a 3 canali a doppio protocollo (SLT/DSMR)

**Dimensioni (L x P x H):** 32,5 x 21,5 x 12,4mm

**Lunghezza antenna:** 90mm

**Canali:** 3

**Peso:** 6g

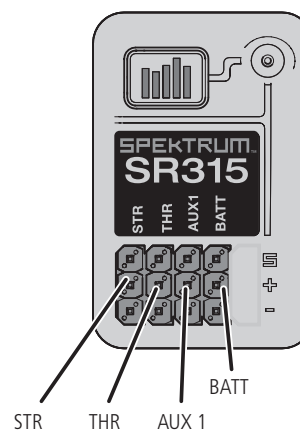
**Banda:** 2,4 GHz

**Range tensione:** 3,5-9,6V

**Tipo di connessione:** Tasto di binding

**Failsafe:** Durante la connessione, mantenere il volantino dello sterzo e il grilletto del gas nelle posizioni failsafe desiderate

\*I ricevitori SPMSR315 inclusi con la trasmittente SLT3 includono la compatibilità con i protocolli SLT e DSMR. Se si possiede un ricevitore SR315 che è stato acquistato da solo, sarà necessario installare un aggiornamento firmware per rendere il proprio SR315 compatibile con il protocollo SLT.



## ANTENNA DEL RICEVITORE

I ricevitori SR315 utilizzano un'antenna coassiale per una facile installazione in quasi tutti i modelli. Solo gli ultimi 32 mm (1") sulla punta dell'antenna ne sono la parte attiva, la sezione coassiale che porta a essa è solo un'estensione. Installare l'antenna in modo che la parte attiva sia posizionata il più in alto possibile sul modello e libera "dall'ombra" di qualsiasi altro elemento in fibra di carbonio o metallo. L'involucro del ricevitore può accettare direttamente un tubo antenna, facilitando il posizionamento ottimale dell'antenna (il tubo antenna non è fornito in dotazione).

**AVVERTENZA:** non piegare, tagliare o danneggiare il cavo dell'antenna. L'antenna è composta da un cavo coassiale; se la guaina esterna viene danneggiata, la ricevente non può funzionare correttamente. Se l'antenna è danneggiata, sostituirla prima di provare a utilizzare la ricevente.

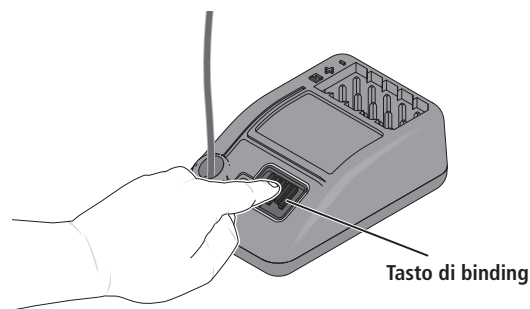
## CONNESSIONE (BINDING)

Il binding è la procedura di programmazione con la quale il ricevitore impara a riconoscere il codice identificativo universalmente univoco GUID (Globally Unique Identifier) della trasmittente a cui viene associato.

1. Premere e tenere premuto il tasto di binding.
2. Accendere il ricevitore. Il LED arancione inizia a lampeggiare.
3. Impostare i trim e le posizioni di controllo alle impostazioni di failsafe desiderate.
4. Accendere la trasmittente SLT3.
5. Quando il LED arancione della trasmittente rimane acceso, la trasmittente è connessa al ricevitore SR315.

Il binding va ripetuto quando:

- Si desiderano modificare le posizioni di failsafe, per esempio quando si invertono le funzioni di sterzo e gas.
- Si connette il ricevitore a una nuova trasmittente.



## SERVOCORSA

Il servocorsa sui canali Sterzo e Gas può essere regolato tramite una modalità di programmazione speciale disponibile nella trasmittente.

1. Iniziare completando la procedura di connessione tra la trasmittente e il ricevitore. Accendere il ricevitore.
2. Durante l'accensione della trasmittente, mantenere il volantino tutto a destra e il grilletto a piena frenata per passare la trasmittente alla modalità di programmazione. Il LED sulla trasmittente lampeggerà 4 volte a indicare che la trasmittente è in modalità di programmazione.
3. Ruotare e mantenere il volantino tutto a sinistra per impostare il limite di corsa per quella direzione. Premere il tasto A per aumentare la corsa, premere il tasto B per ridurre la corsa. Il LED lampeggerà una volta ad ogni modifica. Riportare il volantino al centro per impostare il valore della corsa.

**IMPORTANTE:** se è stato raggiunto il valore massimo o minimo consentito, il LED non lampeggerà in seguito a un'ulteriore immissione.

4. Ruotare il volantino a destra e ripetere la procedura per impostare la corsa dello sterzo a destra.
5. Per i veicoli elettrici, spegnere la trasmittente per salvare le impostazioni. Calibrare il proprio ESC sulla corsa del gas predefinita.
6. Per veicoli alimentati a carburante, impostare la corsa del gas a motore fermo. Dopo aver impostato la corsa dello sterzo, è possibile impostare la corsa del gas seguendo la stessa procedura. Tirare il comando e mantenere il motore al massimo, regolare la corsa con i tasti A e B, ritornare al centro per impostare il valore.
7. Spingere il grilletto a piena frenata, regolare la corsa con i tasti A e B, ritornare al centro
8. Spegnere la trasmittente per salvare i valori.

## PRECAUZIONI NELLA GUIDA

- Durante la guida mantenere sempre il veicolo bene in vista.
- Periodicamente ispezionare bene il veicolo per controllare eventuali viti allentate.
- Periodicamente ispezionare bene il gruppo dello sterzo per verificare i giochi. La guida in fuori strada è fonte di colpi e vibrazioni.
- Non mandare il veicolo nell'erba alta, perché si potrebbe danneggiare sia la parte meccanica che quella elettronica.
- Smettere di guidare quando si nota una diminuzione di potenza. Quando la batteria si scarica il ricevitore smette di funzionare e si perde il controllo del veicolo con possibili danni al veicolo stesso o alle cose e persone circostanti. Questo tipo di danni non è coperto dalla garanzia.

**ATTENZIONE:** Se non si utilizza questo prodotto con attenzione e non si osservano le seguenti avvertenze, potrebbero verificarsi malfunzionamenti, problemi elettrici, eccessivo sviluppo di calore, incendi e, in definitiva, lesioni e danni materiali.

- Non comandare avanti o indietro il veicolo se è bloccato, altrimenti si potrebbe danneggiare sia il motore che il regolatore.
- Dopo aver usato il veicolo per un certo periodo, attendere che le parti elettroniche si raffreddino prima di usarlo di nuovo.

**IMPORTANTE:** Tenere lontani i cavi da tutte le parti mobili.

## ACCENSIONE DEL VEICOLO

1. Centrare le manopole ST TRIM e TH TRIM sul trasmettitore.
2. Accendere il trasmettitore.
3. Collegare all'ESC una batteria completamente carica.
4. Accendere l'ESC.

**IMPORTANTE:** Il veicolo DEVE restare immobile per almeno 5 secondi su di una superficie piana e livellata.

## PRIMA DI USARE IL VEICOLO

1. Verificare che tutto il sistema delle sospensioni si muova liberamente. Qualsiasi parte bloccata o frenata non permette al veicolo di dare le sue prestazioni migliori.  
**Consiglio:** Per migliorare l'altezza libera dal suolo del vostro veicolo, installare i distanziali ammortizzatori inclusi. Il distanziale ammortizzatore è di 4mm. Potete aggiungere uno o due distanziali di misura media (2 mm) e/o piccola (1 mm) per aumentare l'altezza libera dal suolo del vostro veicolo.
2. Ricarica batteria. Caricare sempre la batteria come dalle istruzioni allegate alla batteria o al caricabatterie.
3. Settaggio del trim dello sterzo. Seguire le istruzioni su come settare il trim/subtrim, in modo che il vostro veicolo viaggi dritto senza dover agire sul radiocomando.
4. Eseguire un controllo della direzione dei comandi.

## TEMPO DI UTILIZZO

Il fattore più importante nel tempo di funzionamento è la capacità della batteria; più sono i mAh contenuti, maggiore sarà il tempo di utilizzo per ogni carica.

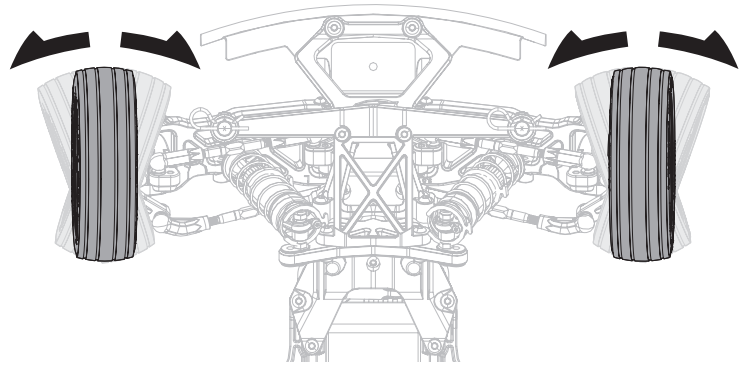
Anche le condizioni di una batteria hanno influenza sia sulla durata che sulla velocità. I connettori della batteria potrebbero scaldarsi durante il funzionamento. Le batterie perdono le loro caratteristiche man mano che si usano.

Ripetute partenze da fermo con accelerazioni violente, nel tempo possono danneggiare sia la batteria che i componenti elettronici. Le forti accelerazioni riducono anche il tempo di utilizzo per ogni singola ricarica.

### PER MIGLIORARE LA DURATA DI FUNZIONAMENTO

- Mantenere il veicolo sempre pulito e con una frequente manutenzione.
- Favorire il flusso dell'aria sull'ESC e sul motore.
- Cambiare gli ingranaggi per avere una riduzione più alta e diminuire le temperature delle parti elettroniche. Quindi usare un pignone più piccolo o una corona più grande per aumentare la riduzione.
- Usare una batteria con maggiore capacità in mAh.
- Usare un caricabatteria adatto alla batteria usata (consultare il proprio rivenditore per maggiori informazioni).

## ESEGUIRE UN CONTROLLO DELLA DIREZIONE DEI COMANDI



Eseguire una verifica con le ruote del veicolo sollevate dal suolo. Se le ruote girano appena dopo che il veicolo è stato acceso, regolare il TH TRIM finché si fermano. Per far muovere le ruote in avanti, tirare il grilletto. Per invertire il moto, attendere che le ruote si fermano, poi spingere il grilletto. Quando si muovono in avanti, le ruote dovrebbero mantenere una linea dritta senza intervenire sullo sterzo. In caso contrario, regolare lo ST TRIM per correggere.

## SMART ESC SPEKTRUM FIRMA 100A 2-3S BRUSHLESS (SPMXSE1100)

### CALIBRAZIONE DI TRASMETTENTE ED ESC

1. Completare il binding tra trasmettente e ricevente.
2. Impostare il canale dell'acceleratore della trasmettente al 100% della corsa e il trim al centro.
3. Accendere la trasmettente e collegare una batteria all'ESC ma senza accenderlo.
4. Tenere premuto il pulsante SET mentre si accende l'ESC. Quando il LED rosso inizia a lampeggiare, rilasciare il pulsante SET. L'ESC entra in modalità di programmazione se il pulsante viene premuto per più di tre secondi.

**CONSIGLIO:** il LED rosso deve lampeggiare quando l'ESC entra in modalità di calibrazione. Se il LED verde lampeggia, l'ESC è in modalità di programmazione.

5. Lasciare il grilletto dell'acceleratore in posizione neutra, quindi premere e rilasciare il pulsante SET. Il LED rosso smette di lampeggiare, il LED verde lampeggia una volta e il motore emette un tono per indicare che la posizione neutra è stata accettata.
6. Tenere il grilletto dell'acceleratore nella posizione di massima accelerazione, quindi premere e rilasciare il pulsante SET. Il LED verde lampeggia due volte e il motore emette due toni per indicare che la posizione tutto gas è stata accettata.
7. Tenere il grilletto dell'acceleratore nella posizione di piena frenata, quindi premere e rilasciare il pulsante SET. Il LED verde lampeggia tre volte e il motore emette tre toni per indicare che la posizione di massima frenata è stata accettata.

Il motore funzionerà normalmente una volta completata la calibrazione.

### OPZIONI PROGRAMMABILI FIRMA 100A

ELEMENTI PROGRAMMABILI	VALORE PROGRAMMABILE							
	1	2	3	4	5	6	7	8
1 Tipo di batteria	LiPo	NiMh						
2 Modalità di avvio (Punch)	Livello 1	Livello 2	Livello 3	Livello 4	Livello 5			
3 Potenza frenante max	25%	37,50%	50%	62,50%	75%	87,50%	100%	
4 Modalità di funzionamento	Avanti/indietro con freno	Avanti con freno						
5 Rotazione del motore	CCW	CW						
6 Tensione BEC	6,0V	7.4V						
7 Anticipo	0°	3.75°	7,5°	11,25°	15°	18,75°	22,5°	26,25°

■ Impostazioni di default



## DESCRIZIONI

### Tipo di batteria

Questo parametro consente di variare l'impostazione della chimica della batteria. La modifica di quest'impostazione modifica solo la tensione di taglio. Selezionando LiPo si previene la sovrascarica della batteria LiPo. Selezionando NiMH si rimuove la funzione LVC, con una scarica molto più rapida della batteria. Prestare attenzione a non utilizzare le batterie LiPo con questo parametro impostato su NiMH. Farlo può causare serie danni alla batteria LiPo e provocare fiamme. Utilizzare le batterie LiPo solo in modalità LiPo.

### Modalità di avvio

Imposta il throttle punch iniziale quando l'auto accelera. Il livello 1 fornisce un'accelerazione iniziale molto regolare e il livello 4 fornisce un'accelerazione iniziale più forte.

### Accelerazione all'avvio

Selezionare il valore della modalità di avvio tra Livello 1 (Debole) e Livello 9 (Molto forte). Se si sceglie un livello tra 7 e 9, utilizzare batterie di elevata potenza con grande capacità di scarica. In caso contrario, le prestazioni di avvio rapido non saranno effettive. Se il motore non gira correttamente (per esempio vibra), scegliere una batteria migliore o aumentare il rapporto del pignone.

### Potenza frenante max

Regola la quantità di forza frenante massima applicata al motore. Questa forza determina la resistenza al movimento in presenza della piena applicazione dei freni. L'impostazione di questo valore aiuta il veicolo a rallentare. Se l'impostazione è troppo alta, le ruote potrebbero bloccarsi, causando la perdita di controllo del veicolo. Se l'impostazione è troppo bassa, il modello impiega troppo tempo a rallentare.

### Modalità di funzionamento

- *Solo avanti con freno*  
Utilizzato principalmente nelle gare, permette solo il controllo della marcia avanti e del freno.
- *Marcia avanti/indietro con freno*  
Questo è il modo base valido in tutte le situazioni, e permette il controllo della marcia avanti, indietro e del freno. Per passare dalla marcia avanti alla marcia indietro e viceversa, bisogna che il veicolo sia completamente fermo. Trovandosi in frenata o in marcia indietro, se si accelera il veicolo parte subito in avanti.

### Rotazione del motore

È possibile regolare la rotazione del motore tramite l'ESC per farlo girare in senso orario o antiorario. Quest'impostazione permette una rapida installazione di ESC e motore senza dover

invertire i fili del motore per impostare il senso di marcia in avanti. Se il veicolo si muove all'indietro quando si applica gas in avanti, agire su questo parametro per ottenere l'effetto desiderato.

### Tensione BEC

Regola la tensione inviata al ricevitore. Il circuito di eliminazione della batteria BEC rende possibile alimentare motore e radiocomando con una sola batteria. L'uscita di tensione può essere regolata per adattarla a componenti nel range 6,0-7,4 volts.

### Anticipo

L'anticipo del motore ESC è regolato per mezzo del programmatore ESC o tramite regolazione manuale con la trasmittente. L'anticipo è un'impostazione che determina diversi fattori, come efficienza, coppia, regime motore e temperatura. Aumentare l'anticipo significa in genere aumentare regime motore, accelerazione da fermo e corrente, ma anche produrre più calore, ridurre la coppia e diminuire l'efficienza. Ridurre l'anticipo significa in genere più efficienza, meno calore e più coppia, riducendo il numero di giri del motore e l'accelerazione da fermo.

### Spegnimento per bassa tensione

Questa funzione aiuta a prevenire la sovrascarica delle batterie. L'ESC controlla continuamente la tensione della batteria; se scende sotto la soglia minima per 2 secondi, la potenza viene tagliata e il LED rosso lampeggia 2 volte ripetutamente.

Il calcolo della soglia di spegnimento è basato sulla tensione delle singole celle LiPo. Per le batterie NiMH, se la loro tensione è superiore a 9.0 V, viene considerata come un pacco LiPo da 3 celle; se è inferiore a 9.0 V, sarà considerata come un pacco LiPo da 2 celle. Esempio: per una batteria NiMH da 8.0 V usata con una soglia di 2.6V/cella, sarà considerata come una batteria LiPo da 2 celle e la soglia sarà 5.2 V (2.6 x 2 = 5.2). Usando il Digital Program Box (DYN3748) opzionale, si possono regolare dei valori di soglia personalizzati. A differenza dei valori preselezionati, i valori personalizzati valgono per la tensione totale della batteria, non per le celle singole.

### Campo neutro

Regolare quest'impostazione in caso di sostituzione di trasmettente o ESC. Quest'impostazione è programmata nell'ESC e registra il neutro di default del segnale che arriva dalla trasmittente. Se il modello si muove in avanti o non risponde rapidamente alle variazioni del comando del gas della trasmittente, regolare l'impostazione. Fare riferimento al manuale dell'ESC per istruzioni dettagliate sull'impostazione della posizione neutra.

Indicatore LED	Codice LED
ESC acceso, l'indicatore LED è spento	Il grilletto dell'acceleratore è nella zona neutra
LED rosso acceso	ESC funziona in avanti, indietro o freno
LED rosso e verde accesi	ESC è a tutto gas, pieno freno o pieno riverbero
Il LED lampeggia in rosso con brevi impulsi singoli	La protezione LVC è attiva
Il LED lampeggia in verde con brevi impulsi singoli	L'ESC è in modalità di arresto termico
Il LED lampeggia in verde con tre brevi impulsi che si ripetono	L'ESC ha superato il limite di corrente continua
Il LED lampeggia in verde con quattro brevi impulsi che si ripetono	L'ESC ha fallito l'auto test
Il LED lampeggia in verde con cinque brevi impulsi che si ripetono	La temperatura del condensatore è stata superata

## PROCEDURA DI PROGRAMMAZIONE DELL'ESC

La programmazione si effettua tramite il pulsante SET dell'interruttore ON/OFF.

1. Collegare una batteria completamente carica all'ESC.
  2. Accendere l'ESC usando il suo interruttore.
  3. Premere e mantenere premuto per 3 secondi il pulsante SET, quando il LED verde lampeggia rilasciare il pulsante.
  4. Premere una volta il pulsante SET finché il LED verde non lampeggia una volta in successione indicando che il valore programmabile 1 è stato selezionato.
- Consiglio:** premendo nuovamente il pulsante SET si passa al valore programmabile 2 e così via, fino a raggiungere il valore programmabile desiderato. Il sistema prosegue ciclicamente.
5. Quando si raggiunge l'opzione di menu desiderata, tenere premuto il pulsante SET per 3 secondi finché il LED rosso non inizia a lampeggiare.

**Consiglio:** la sequenza di lampeggio ROSSA indica le impostazioni correnti; per esempio un lampeggio indica che il valore 1 è selezionato, due lampeggi indicano il valore 2 ecc.

6. Premere il pulsante SET in sequenza per selezionare il valore programmabile desiderato. Il sistema prosegue ciclicamente.
7. Salvare l'impostazione tenendo premuto il pulsante SET per 3 secondi. Il motore emette un segnale acustico.
8. Spegner l'ESC e riaccenderlo immediatamente. La modifica delle impostazioni viene memorizzata.

**Consiglio:** è possibile memorizzare/salvare solo un'impostazione alla volta.

## MOTORE SPEKTRUM 3652 4 POLI BRUSHLESS 6500 KV (SPMXSM2800)

### PRECAUZIONI

- Non toccare mai le parti rotanti.
- Non smontare con la batteria collegata.
- Lasciarlo raffreddare prima di toccarlo.

### RIDUTTORE

Il veicolo monta una combinazione di pignone e corona ottimale per batterie 2S. Quando si utilizzano batterie 3S, utilizzare rapporti alternativi per ottimizzare velocità, potenza ed efficienza.

Installando un pignone con meno denti o una corona con più denti si otterrà una coppia maggiore e una velocità massima ridotta. Analogamente, installando un pignone con più denti o una corona con meno denti si avrà una coppia ridotta e una velocità massima più elevata. Prestare attenzione quando si montano pignoni troppo grandi perché si potrebbe sovraccaricare il veicolo, con conseguente surriscaldamento di motore ed ESC. Quindi, quando si provano varie combinazioni di corona e pignone, bisogna tenere sotto controllo la temperatura di motore e regolatore per essere certi che rimanga entro i valori di temperatura ottimali. Se il motore è surriscaldato, passare a una combinazione con un pignone con meno denti e/o una corona con più denti.

**ATTENZIONE:** Non toccare l'ESC o il motore dopo l'uso per evitare il rischio di lesioni personali. ESC e motore non devono superare i 71 °C (160 °F). Utilizzare un termometro senza contatto (si consiglia DYNF1055) per controllare in sicurezza la temperatura prima di maneggiare le parti.

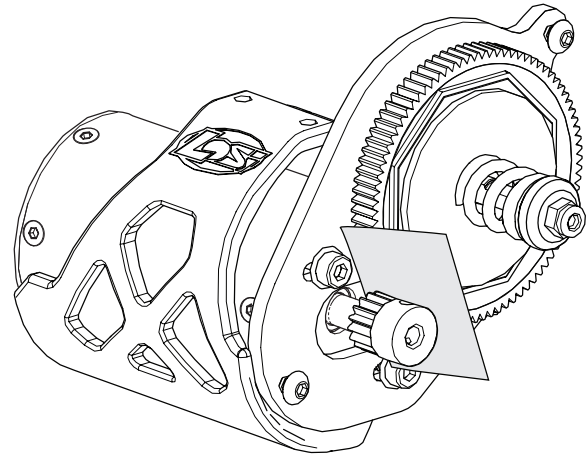
### CAMBIARE PIGNONE/RAPPORTO DI RIDUZIONE

1. Rimuovere le viti che tengono fermo il coperchio del pignone.
2. Allentare le viti di fissaggio e rimuovere il pignone installato.
3. Tirare indietro il motore allentando le sue viti.
4. Mettere il nuovo pignone all'estremità dell'albero motore in modo che il grano sia posizionato in corrispondenza della parte piatta dell'albero.
5. Posizionare il pignone in modo che i suoi denti siano allineati con quelli della corona e poi fissarlo stringendo il grano.
6. Regolare il gioco sui denti degli ingranaggi.

### REGOLARE IL GIOCO DELL'INGRANAGGIO

Il gioco è già stato regolato in fabbrica, ma è necessario regolarlo di nuovo quando si cambia motore o ingranaggi. Un giusto gioco tra gli ingranaggi (il modo come si accoppiano) è importante per le prestazioni del veicolo.

Quando il gioco è troppo ampio, la corona potrebbe esser danneggiata dal pignone montato sul motore. Se il gioco fosse troppo stretto, la velocità potrebbe essere limitata e sia il motore che l'ESC si surriscaldano.



1. Tirare indietro il motore allentando le sue viti.
2. Mettere un piccolo pezzo di carta tra i denti del pignone e quelli della corona.
3. Avvicinare gli ingranaggi e stringere le viti del motore.
4. Togliere la carta. Controllare il gioco in 3-5 punti differenti sulla corona muovendo leggermente gli ingranaggi.

## GUIDA ALLA RISOLUZIONE DEI PROBLEMI

PROBLEMA	POSSIBILI CAUSE	SOLUZIONE
Il veicolo non funziona	Batteria scarica o scollegata	Caricare/collegare la batteria
	Interruttore ESC non su ON	Accendere ESC
	Trasmettitore spento o con batterie scariche	Accendere o sostituire le batterie
Il motore gira ma le ruote posteriori non girano	Il pignone non ingrana con la corona	Regolare il gioco tra pignone e corona
	Il pignone scivola sull'albero motore	Stringere il grano del pignone sulla zona piatta dell'albero
	Ingranaggi trasmissione sgranati	Sostituire gli ingranaggi della trasmissione
	Spinotto di trascinamento rotto	Sostituire lo spinotto
Lo sterzo non funziona	Il connettore del servo non è correttamente inserito nel ricevitore	Verificare che il connettore del servo sia inserito bene e nel canale giusto sul ricevitore
	Ingranaggi o motore del servo, danneggiati	Sostituire o riparare il servo
Non sterza in una direzione	Ingranaggi del servo danneggiati	Sostituire o riparare il servo
Il motore non gira	I fili del motore non sono saldati bene	Rifare la saldatura con l'attrezzatura giusta
	Fili del motore rotti	Riparare o sostituire se necessario
	Regolatore (ESC) danneggiato	Contattare l'assistenza Horizon Hobby
Il regolatore (ESC) si scalda	Ingranaggi sul motore con passo troppo lungo	Usare un pignone più piccolo o una corona più grande
	Trasmissione legata	Verificare eventuali legature sulle ruote o la trasmissione
Tempo di funzionamento scarso o accelerazione fiacca	Batteria non completamente carica	Ricaricare la batteria
	Il caricabatterie non fornisce una carica completa	Provare con un altro caricabatterie
	Trasmissione legata	Verificare eventuali legature sulle ruote o la trasmissione
Portata scarsa e/o disturbi	Batterie trasmettitore scariche	Verificare e sostituire
	Batteria del veicolo scarica	Ricaricare la batteria
	Connettori o fili allentati	Verificare tutti i fili e le connessioni

## GARANZIA

### Periodo di garanzia

Garanzia esclusiva - Horizon Hobby, LLC (Horizon) garantisce che il prodotto acquistato (il "Prodotto") sarà privo di difetti relativi ai materiali e di eventuali errori di montaggio alla data di acquisto. Il periodo di garanzia è conforme alle disposizioni legali del paese nel quale il prodotto è stato acquistato. Tale periodo di garanzia ammonta a 6 mesi e si estende ad altri 18 mesi dopo tale termine.

### Limiti della garanzia

(a) La garanzia è limitata all'acquirente originale (Acquirente) e non è cedibile a terzi.

L'acquirente ha il diritto a far riparare o a far sostituire la merce durante il periodo di questa garanzia. La garanzia copre solo quei prodotti acquistati presso un rivenditore autorizzato Horizon. Altre transazioni di terze parti non sono coperte da questa garanzia. La prova di acquisto è necessaria per far valere il diritto di garanzia. Inoltre, Horizon si riserva il diritto di cambiare o modificare i termini di questa garanzia senza alcun preavviso e di escludere tutte le altre garanzie già esistenti.

(b) Horizon non si assume alcuna garanzia per la disponibilità del prodotto, per l'adeguatezza o l'idoneità del prodotto a particolari previsti dall'utente. È sola responsabilità dell'acquirente il fatto di verificare se il prodotto è adatto agli scopi da lui previsti.

(c) Richiesta dell'acquirente – spetta soltanto a Horizon, a propria discrezione riparare o sostituire qualsiasi prodotto considerato difettoso e che rientra nei termini di garanzia. Queste sono le uniche rivalse a cui l'acquirente si può appellare, se un prodotto è difettoso.

Horizon si riserva il diritto di controllare qualsiasi componente utilizzato che viene coinvolto nella rivalsa di garanzia. Le decisioni relative alla sostituzione o alla riparazione sono a discrezione di Horizon. Questa garanzia non copre dei danni superficiali o danni per cause di forza maggiore, uso errato del prodotto, un utilizzo che viola qualsiasi legge, regolamentazione o disposizione applicabile, negligenza, uso ai fini commerciali, o una qualsiasi modifica a qualsiasi parte del prodotto.

Questa garanzia non copre danni dovuti ad un'installazione errata, ad un funzionamento errato, ad una manutenzione o un tentativo di riparazione non idonei a cura di soggetti diversi da Horizon. La restituzione del prodotto a cura dell'acquirente, o da un suo rappresentante, deve essere approvata per iscritto dalla Horizon.

### Limiti di danno

Horizon non si riterrà responsabile per danni speciali, diretti, indiretti o consequenziali; perdita di profitto o di produzione; perdita commerciale connessa al prodotto, indipendentemente dal fatto che la richiesta si basa su un contratto o sulla garanzia. Inoltre la responsabilità di Horizon non supera mai in nessun caso il prezzo di acquisto del prodotto per il quale si chiede la responsabilità. Horizon non ha alcun controllo sul montaggio, sull'utilizzo o sulla manutenzione del prodotto o di combinazioni di vari prodotti. Quindi Horizon non accetta nessuna responsabilità per danni o lesioni derivanti da tali circostanze. Con l'utilizzo e il montaggio del prodotto l'utente acconsente a tutte le condizioni, limitazioni e riserve di garanzia citate in questa sede.

Qualora l'utente non fosse pronto ad assumersi tale responsabilità associata all'uso del prodotto, si suggerisce di restituire il prodotto intatto, mai usato e immediatamente presso il venditore.

### Indicazioni di sicurezza

Questo è un prodotto sofisticato di hobbistica e non è un giocattolo. Esso deve essere manipolato con cautela, con giudizio e richiede delle conoscenze basilari di meccanica e delle facoltà mentali di base. Se il prodotto non verrà manipolato in maniera sicura e responsabile potrebbero risultare delle lesioni, dei gravi danni a persone, al prodotto o all'ambiente circostante. Questo prodotto non è concepito per essere usato dai bambini senza una diretta supervisione di un adulto. Il manuale del prodotto contiene le istruzioni di sicurezza, di funzionamento e di manutenzione del prodotto stesso. È fondamentale leggere e seguire tutte le istruzioni e le avvertenze nel manuale prima di mettere in funzione il prodotto. Solo così si eviterà un utilizzo errato e si preveniranno incidenti, lesioni o danni.

### Domande, assistenza e riparazioni

Il vostro negozio locale e/o luogo di acquisto non possono fornire garanzie di assistenza o riparazione senza previo colloquio con Horizon. Questo vale anche per le riparazioni in garanzia. Quindi in tale casi bisogna interpellare un rivenditore, che si metterà in contatto subito con Horizon per prendere una decisione che vi possa aiutare nel più breve tempo possibile.

### Manutenzione e riparazione

Se il prodotto deve essere ispezionato o riparato, si prega di rivolgersi ad un rivenditore specializzato o direttamente ad Horizon. Il prodotto deve essere imballato con cura. Bisogna far notare che i box originali solitamente non sono adatti per effettuare una spedizione senza subire alcun danno. Bisogna effettuare una spedizione via corriere che fornisce una tracciabilità e un'assicurazione, in quanto Horizon non si assume alcuna responsabilità in relazione alla spedizione del prodotto. Inserire il prodotto in una busta assieme ad una descrizione dettagliata degli errori e ad una lista di tutti i singoli componenti spediti. Inoltre abbiamo bisogno di un indirizzo completo, di un numero di telefono per chiedere ulteriori domande e di un indirizzo e-mail.

### Garanzia a riparazione

Le richieste in garanzia verranno elaborate solo se è presente una prova d'acquisto in originale proveniente da un rivenditore specializzato autorizzato, nella quale è ben visibile la data di acquisto. Se la garanzia viene confermata, allora il prodotto verrà riparato o sostituito. Questa decisione spetta esclusivamente a Horizon Hobby.

### Riparazioni a pagamento

Se bisogna effettuare una riparazione a pagamento, effettueremo un preventivo che verrà inoltrato al vostro rivenditore. La riparazione verrà effettuata dopo l'autorizzazione da parte del vostro rivenditore. La somma per la riparazione dovrà essere pagata al vostro rivenditore. Le riparazioni a pagamento avranno un costo minimo di 30 minuti di lavoro e in fattura includeranno le spese di restituzione. Qualsiasi riparazione non pagata e non richiesta entro 90 giorni verrà considerata abbandonata e verrà gestita di conseguenza.

**ATTENZIONE:** Le riparazioni a pagamento sono disponibili solo sull'elettronica e sui motori. Le riparazioni a livello meccanico, soprattutto per gli elicotteri e le vetture RC, sono molto costose e devono essere effettuate autonomamente dall'acquirente.

10/15

## GARANZIA E ASSISTENZA INFORMAZIONI PER I CONTATTI

Stato di acquisto	Horizon Hobby	Telefono/Indirizzo e-mail	Indirizzo
Unione Europea	Horizon Technischer Service	service@horizonhobby.eu +49 (0) 4121 2655 100	Hanskampring 9 D 22885 Barsbüttel, Germany
	Sales: Horizon Hobby GmbH		

## DICHIARAZIONE DI CONFORMITÀ EU



### Dichiarazione di conformità UE:

Con la presente, Horizon Hobby, LLC dichiara che il dispositivo è conforme a quanto segue: Direttiva europea sulle apparecchiature radio (RED) 2014/53/UE; Direttiva RoHS 2 2011/65 / UE; Direttiva RoHS 3 - Modifica 2011/65 / UE

allegato II 2015/863.

Il testo completo della dichiarazione di conformità UE è disponibile al seguente indirizzo internet: <https://www.horizonhobby.com/content/support-render-compliance>.

**NOTA:** questo prodotto contiene batterie coperte dalla direttiva europea 2006/66 / CE, che non possono essere smaltite con i rifiuti domestici. Attenersi alle normative locali.

### Gamma di frequenza wireless e Potenza di uscita wireless:

#### Trasmettitore:

2403–2480MHz

16.3dBm

#### Ricevitore:

2404–2476MHz

-1.33dBm

### Produttore ufficiale dell'UE:

Horizon Hobby, LLC  
2904 Research Road  
Champaign, IL 61822 USA

### Importatore ufficiale dell'UE:

Horizon Hobby, GmbH  
Hanskampring 9  
22885 Barsbüttel Germany

### AVVISO RAEE:



Questo dispositivo è marcato ai sensi della Direttiva europea 2012/19/UE riguardante i rifiuti di apparecchiature elettriche ed elettroniche (RAEE). Il simbolo indica che il prodotto non va smaltito insieme ai rifiuti domestici. Il prodotto deve essere consegnato agli appositi centri di raccolta per consentirne il recupero e il riciclaggio.







**WWW.LOSI.COM**

©2020 Horizon Hobby, LLC.

Losi, 22S, DSM, DSM2, DSMR, EC3, IC2, IC5, Dynamite, Fuze, Prophet and the Horizon Hobby logo are trademarks or registered trademarks of Horizon Hobby, LLC. The Spektrum trademark is used with permission of Bachmann Industries, Inc. Maxxis, Magnaflow, Kicker, K&N, and associated logos are property of their respective owners and are used with permission.

Other patents pending.

Created 12/20

63446

LOS03035T1/T2 | LOS03045T1/T2