

MICRO-BAJA

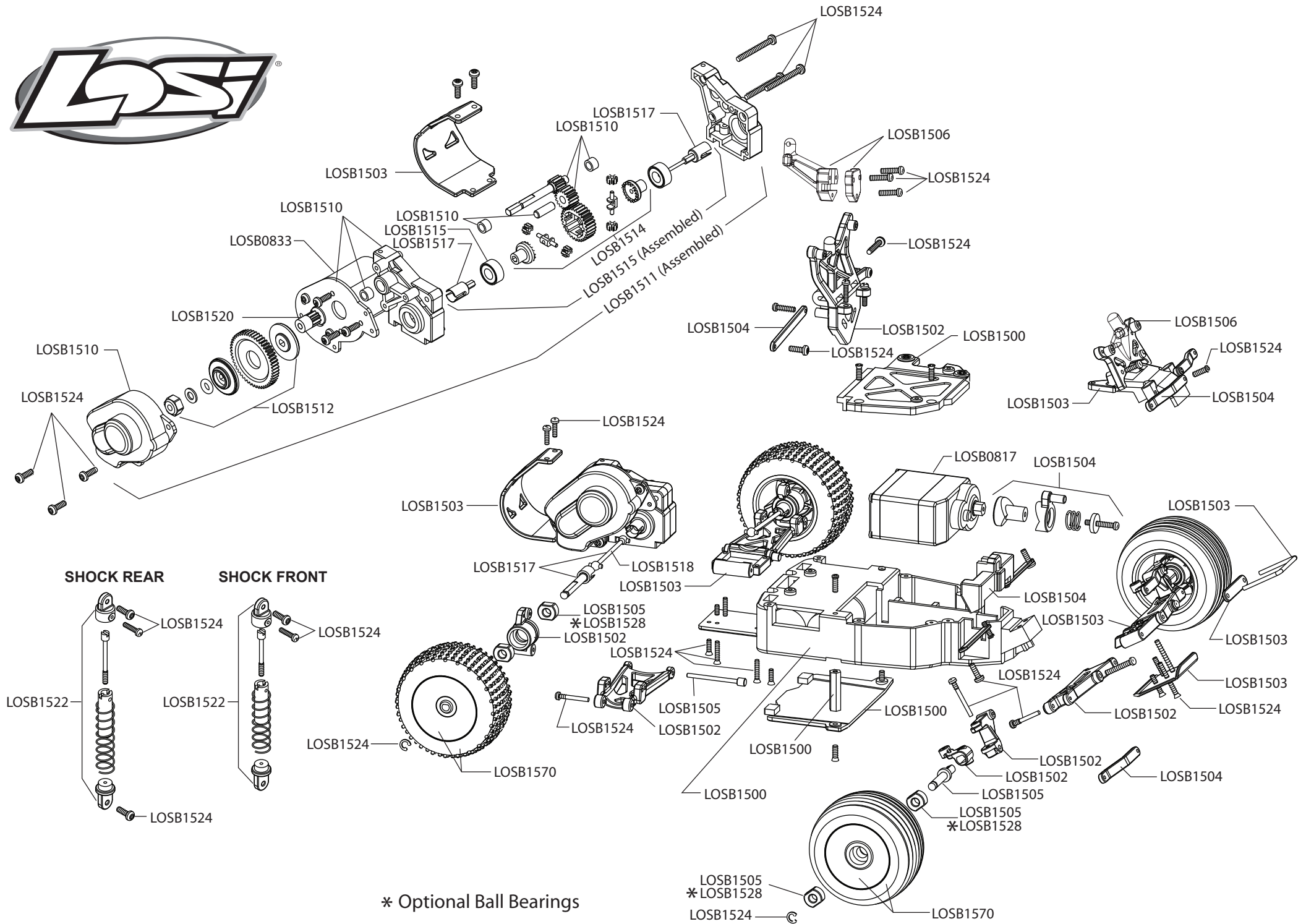
1/36-SCALE READY-TO-RUN ELECTRIC MICRO VEHICLE



Price List

2007 Losi, A Division of Horizon Hobby Inc.

LOSB0802 Micro-T/B Transmitter.....	\$41.99	LOSB1525 Body Clip Set, Large & Small (10) ...	\$1.50
LOSB0803 Micro-T/B Receiver/ESC.....	\$39.99	LOSB1570 Chrome Fr &Rr Wheels & Tires	\$7.99
LOSB0817 Micro-T/B Servo w/Servo Saver.....	\$14.99	LOSB1544 Micro-B Body Gray w/Stickers	\$12.99
LOSB0833 Micro-T/B Motor w/Wires.....	\$7.99	LOSB1545 Micro-B Body Blue w/Stickers.....	\$12.99
LOSB0848 Micro-T/B Battery Pack	\$11.99	LOSB1546 Micro-B Body Red w/Stickers	\$12.99
LOSB0849 Micro-T/B Charger	\$19.99		
LOSB0860 Connector Set w/wires	\$3.00	Micro Option Parts	
LOSB1500 Chassis Set.....	\$5.99	LOSB0861 Ni-MH AC Peak Wall Charger.....	\$25.99
LOSB1502 Susp. Arm, Spindles, Hubs, Towers	\$4.50	LOSB0863 Li-Po Battery & Charger.....	\$38.99
LOSB1503 Suspension Mt & Bumper Set.....	\$4.99	LOSB1528 Wheel & Hub Bearing Set (8).....	\$11.99
LOSB1504 Steer & Camber Link/Saver Set.....	\$3.99	LOSB1530 Micro T F&R Wheels & Tires.....	\$6.99
LOSB1505 Suspension Hardware Set	\$5.99	LOSB1531 Aluminum Rear Hub Set	\$19.99
LOSB1506 Micro B Fr Tower/Rear Body Mount	\$3.00	LOSB1532 Aluminum Front C-Hub Set.....	\$21.99
LOSB1510 Transmission Set	\$6.99	LOSB1533 Aluminum Front Spindle Set	\$23.99
LOSB1511 Complete Trans - Assembled.....	\$14.99	LOSB1534 Aluminum Rear Pivot Block Set.....	\$14.99
LOSB1512 Slipper & Spur Gear Set	\$3.00	LOSB1535 Aluminum Front Pivot Block Set	\$14.99
LOSB1514 Diff Gear Set	\$4.99	LOSB1538 Aluminum Fr Suspension Arm Set	\$19.99
LOSB1515 Complete Diff - Assembled.....	\$9.99	LOSB1539 Aluminum Rr Suspension Arm Set	\$19.99
LOSB1517 Driveshaft & Outdrive Set	\$8.99	LOSB1540 Micro-T Body Blue w/Stickers	\$12.99
LOSB1518 Driveshafts (2).....	\$3.99	LOSB1541 Micro-T Body Red w/Stickers.....	\$12.99
LOSB1520 Pinion Gear Set (10,12,14T)	\$3.99	LOSB1542 Micro-T Body Green w/Stickers	\$12.99
LOSB1522 Shock Set.....	\$5.99	LOSB1547 Micro-B Body Clear w/Stickers	\$7.99
LOSB1524 Screw Set.....	\$3.99	LOSB1571 Street Meat F&R Chrome, Mounted	\$7.99



SHOCK REAR

SHOCK FRONT

* Optional Ball Bearings

Getting Started



1. Your Losi Micro-Baja includes 2 complete sets of batteries. The Heavy Duty non-alkaline batteries are to be used in the transmitter.



3. Plug the battery lead into the charger lead. The RED LED will light up and stay solid while charging. When the battery is fully charged the light will shut off (approximately 20 minutes). If the charger light only lights up for about a minute, the AA batteries inside the charger are low and should be replaced.



5. Plug in the battery lead into the speed controller lead and replace the body. Secure the body with the included body clips.



7. Once the transmitter has been turned on, turn on the Losi Micro-Baja by sliding the switch to the "On" position (located on the bottom of the chassis). If the rear wheels turn, adjust the "TH. Trim" knob located to the lower right of the steering wheel until they stop. To go forward pull the trigger back. If you should need reverse, wait for the model to stop then push the trigger forward. When going forward the model should move in a straight line. If not, adjust the "ST. Trim" so that it tracks in a straight line without having to turn the steering wheel. After you are finished running, turn the Losi Micro-Baja off FIRST by sliding the switch to the "Off" position. After the model has been turned off, turn off the transmitter.

Charger



2. Remove the battery cover by sliding it in the direction noted on the cover. Install (8) AA alkaline batteries into the bottom of the charger. Pay close attention to the correct direction of the positive (+) and negative (-) ends as marked. Reinstall the battery cover.



4. Remove the transmitter battery cover by sliding it in the direction noted on the cover. Install eight (8) AA batteries into the battery holder. Pay close attention to the correct direction of the positive (+) and negative (-) ends as marked. Once all 8 batteries have been installed, reinstall the battery cover.



6. ALWAYS turn on the transmitter first by sliding the switch "ON". The small red and green lights above the switch should both light up. If not, please check for low or incorrectly installed batteries.